

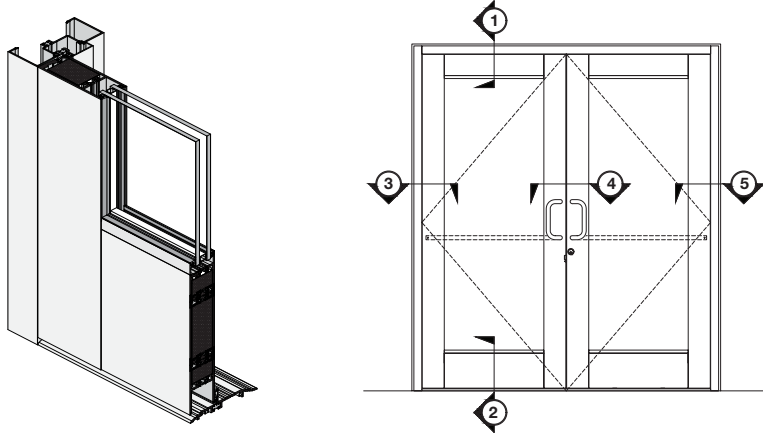
# THERMAL PERFORMANCE - GLAZING SELECTION CHART

Contact CRL-U.S. Aluminum Technical Sales at (800) 262-5151 in the U.S. or Canada, or (323) 588-1281 (International). Ask for Extension 5305. Additional product details are available online at [crlaurence.com/entrances](http://crlaurence.com/entrances).

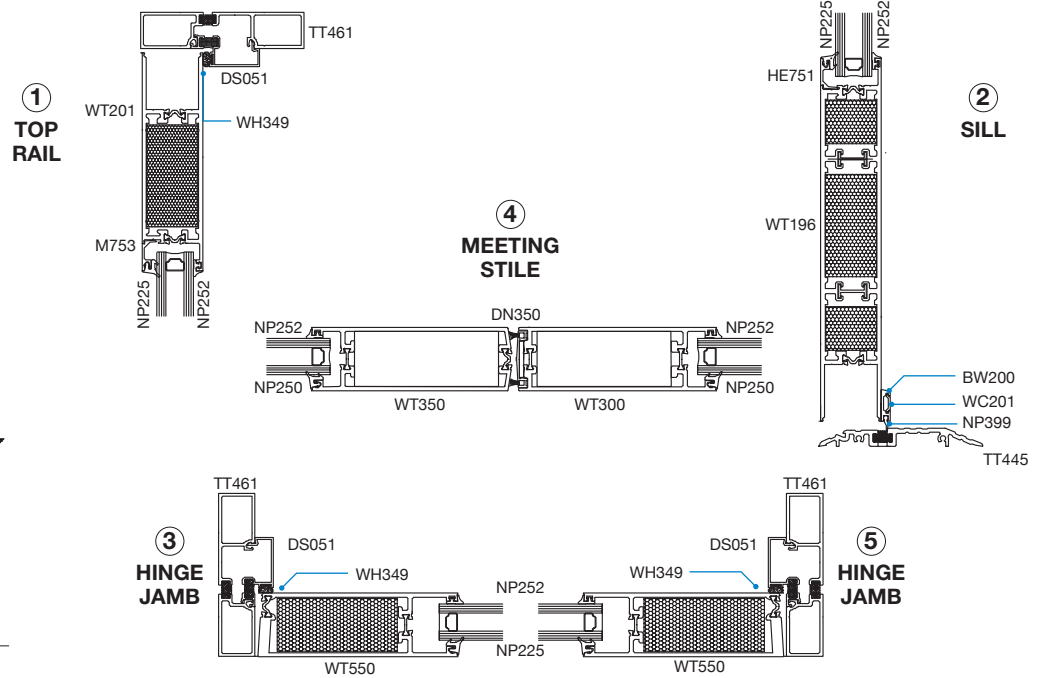


## Mojave Doors - 550AT Double Door 10" Bottom Rail - 1" Frame

Below are various insulating glazing assemblies and spacer combinations that will provide this system with U-factors ranging from a low of 0.46 to a high of 0.61. If your particular combination of glazing and spacer isn't shown, please contact a CRL - U.S. Aluminum Technical Sales Representative and initiate a request. One of our on-staff thermal simulation engineers will conduct the calculations and return a report that can be utilized for bidding and design purposes.



### TYPICAL DETAILS:



GLAZING ASSEMBLY - 1" INSULATED	CENTER OF GLAZING U-FACTOR <sup>3</sup>	CENTER OF GLAZING SHGC <sup>4</sup>	CENTER OF GLAZING VT <sup>4</sup>	SPACER	OVERALL SYSTEM U-FACTOR <sup>3</sup>	OVERALL SYSTEM SHGC <sup>4</sup>	OVERALL SYSTEM VT <sup>4</sup>
1/4" SunGuard SNX 51/23 Clear <sup>1</sup> / 1/2" Argon / 1/4" SunGuard IS20 Clear <sup>2</sup>	0.20	0.22	0.49	TGI	0.46	0.13	0.26
1/4" SunGuard SNX 62/27 Clear <sup>1</sup> / 1/2" Argon / 1/4" SunGuard IS20 Clear <sup>2</sup>	0.20	0.25	0.60	TGI	0.46	0.15	0.31
1/4" Solarban 90 Clear <sup>1</sup> / 1/2" Argon / 1/4" Clear	0.24	0.23	0.53	TGI	0.48	0.13	0.28
1/4" SunGuard SNX 51/23 Clear <sup>1</sup> / 1/2" Argon / 1/4" Clear	0.24	0.23	0.51	TGI	0.48	0.14	0.27
1/4" Solarban 70XL Clear <sup>1</sup> / 1/2" Argon / 1/4" Clear	0.24	0.27	0.65	TGI	0.50	0.21	0.36
1/4" SunGuard SN 68 Clear <sup>1</sup> / 1/2" Argon / 1/4" Clear	0.25	0.37	0.68	Aluminum	0.52	0.22	0.36
1/4" Solarban 60 Clear <sup>1</sup> / 1/2" Argon / 1/4" Clear	0.24	0.29	0.70	Aluminum	0.50	0.22	0.37
1/4" Solarban 70XL Clear <sup>1</sup> / 1/2" Air / 1/4" Clear	0.29	0.28	0.65	Aluminum	0.52	0.16	0.34
1/4" Solarban 60 Clear <sup>1</sup> / 1/2" Air / 1/4" Clear	0.29	0.39	0.71	Aluminum	0.52	0.22	0.37
1/4" Clear / 1/2" Air / 1/4" Clear	0.47	0.74	0.80	Aluminum	0.61	0.41	0.42

1. Low-e on #2 surface 2. Low-e on #4 surface 3. In accordance with NFRC 100 4. In accordance with NFRC 200 5. Ratio of minimum fixed storefront area to single door area necessary to comply with California Title 24 area-weighted prescriptive requirements.

Solarban is a registered trademark of Vitro Architectural Glass. SunGuard is a registered trademark of Guardian Industries Corp.