

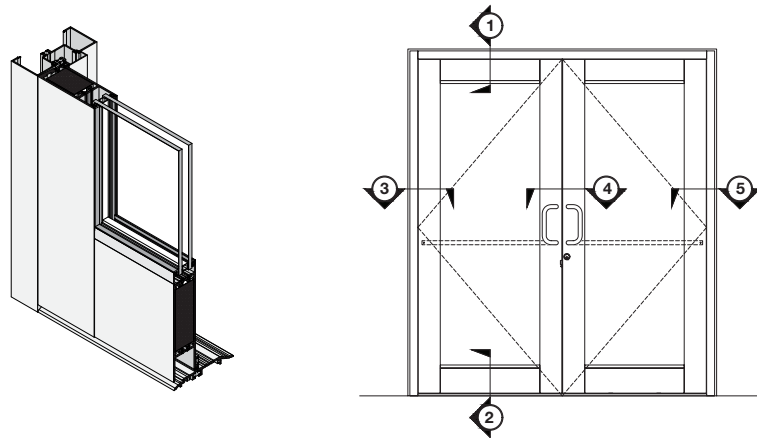
THERMAL PERFORMANCE - GLAZING SELECTION CHART



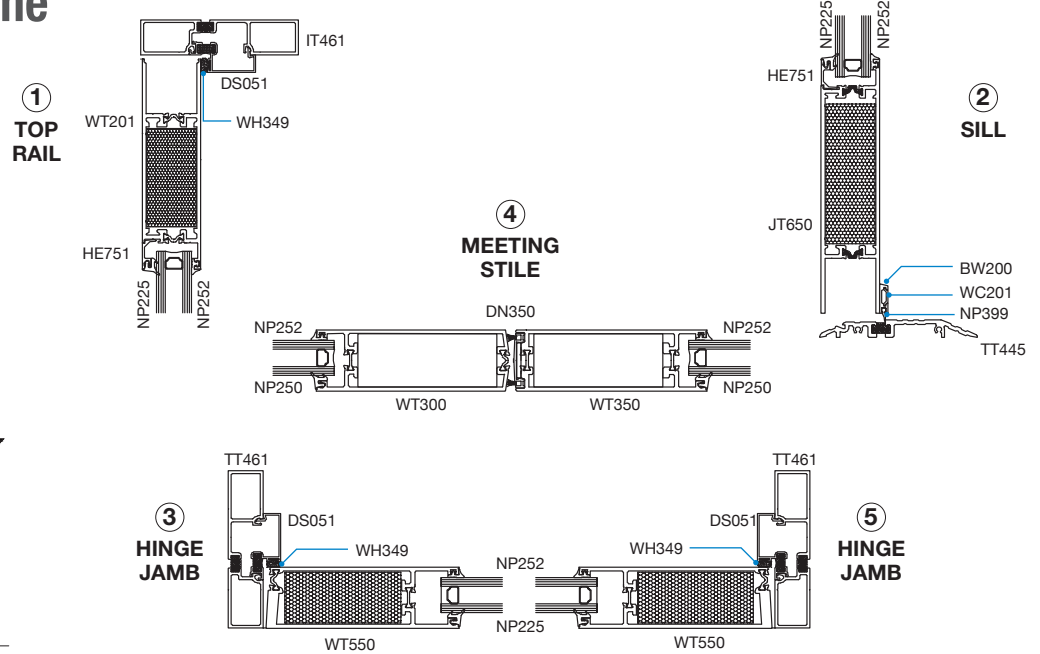
Contact CRL-U.S. Aluminum Technical Sales at (800) 262-5151 in the U.S. or Canada, or (323) 588-1281 (International). Ask for Extension 5305. Additional product details are available online at crlaurence.com/entrances.

Mojave Doors - 550AT Double Door - 1" Frame

Below are various insulating glazing assemblies and spacer combinations that will provide this system with U-factors ranging from a low of 0.45 to a high of 0.61. If your particular combination of glazing and spacer isn't shown, please contact a CRL - U.S. Aluminum Technical Sales Representative and initiate a request. One of our on-staff thermal simulation engineers will conduct the calculations and return a report that can be utilized for bidding and design purposes.



TYPICAL DETAILS:



GLAZING ASSEMBLY - 1" INSULATED	CENTER OF GLAZING U-FACTOR ³	CENTER OF GLAZING SHGC ⁴	CENTER OF GLAZING VT ⁴	SPACER	OVERALL SYSTEM U-FACTOR ³	OVERALL SYSTEM SHGC ⁴	OVERALL SYSTEM VT ⁴
1/4" SunGuard SNX 51/23 Clear ¹ / 1/2" Argon / 1/4" SunGuard IS20 Clear ²	0.20	0.22	0.49	TGI	0.45	0.14	0.27
1/4" SunGuard SNX 62/27 Clear ¹ / 1/2" Argon / 1/4" SunGuard IS20 Clear ²	0.20	0.25	0.60	TGI	0.45	0.16	0.33
1/4" Solarban 90 Clear ¹ / 1/2" Argon / 1/4" Clear	0.24	0.23	0.53	TGI	0.47	0.14	0.29
1/4" SunGuard SNX 51/23 Clear ¹ / 1/2" Argon / 1/4" Clear	0.24	0.23	0.51	TGI	0.47	0.14	0.28
1/4" Solarban 70XL Clear ¹ / 1/2" Argon / 1/4" Clear	0.24	0.27	0.65	TGI	0.47	0.17	0.35
1/4" SunGuard SN 68 Clear ¹ / 1/2" Argon / 1/4" Clear	0.25	0.37	0.68	Aluminum	0.49	0.22	0.37
1/4" Solarban 60 Clear ¹ / 1/2" Argon / 1/4" Clear	0.24	0.29	0.70	Aluminum	0.49	0.23	0.39
1/4" Solarban 70XL Clear ¹ / 1/2" Air / 1/4" Clear	0.29	0.28	0.65	Aluminum	0.51	0.17	0.35
1/4" Solarban 60 Clear ¹ / 1/2" Air / 1/4" Clear	0.29	0.39	0.71	Aluminum	0.52	0.23	0.39
1/4" Clear / 1/2" Air / 1/4" Clear	0.47	0.74	0.80	Aluminum	0.61	0.42	0.44

1. Low-e on #2 surface 2. Low-e on #4 surface 3. In accordance with NFRC 100 4. In accordance with NFRC 200

Solarban is a registered trademark of Vitro Architectural Glass. SunGuard is a registered trademark of Guardian Industries Corp.