

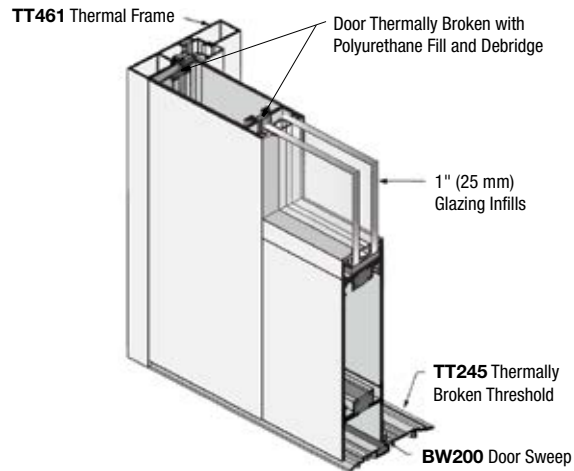
THERMAL PERFORMANCE - GLAZING SELECTION CHART

Contact CRL-U.S. Aluminum Technical Sales at (800) 262-5151 in the U.S. or Canada, or (323) 588-1281 (International). Ask for Extension 15305. Additional product details are available online at crlaurence.com/entrances.

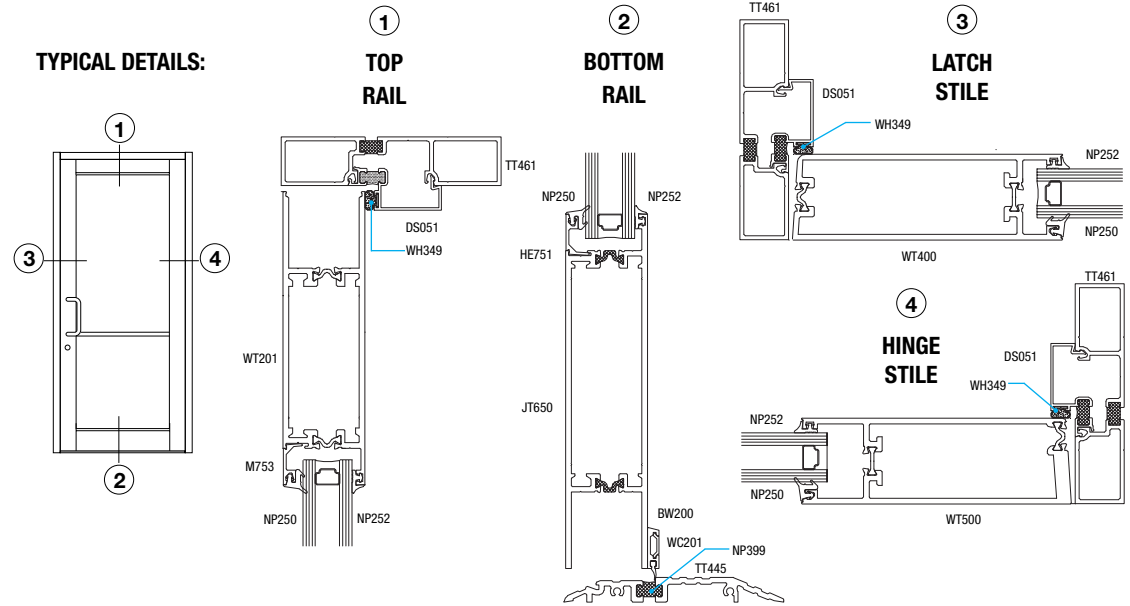


Series 550T Single with 7" Bottom Rail and 1" Frame

Below are various insulating glazing assemblies and spacer combinations that will provide this system with U-factors ranging from a low of 0.53 to a high of 0.72. If your particular combination of glazing and spacer isn't shown, please contact a CRL- U.S. Aluminum Technical Sales Representative and initiate a request. One of our on-staff thermal simulation engineers will conduct the calculations and return a report that can be utilized for bidding and design purposes.



TYPICAL DETAILS:



| GLAZING ASSEMBLY - 1" INSULATING | CENTER OF GLAZING U-FACTOR ⁵ | CENTER OF GLAZING SHGC ⁶ | CENTER OF GLAZING VT ⁶ | SPACER | OVERALL SYSTEM U-FACTOR ⁵ | OVERALL SYSTEM SHGC ⁶ | OVERALL SYSTEM VT ⁶ |
|---|---|-------------------------------------|-----------------------------------|--------------|--------------------------------------|----------------------------------|--------------------------------|
| 1/4" SunGuard SNX 62/27 Clear ¹ / 1/4" Xenon / Heat Mirror 77 Film / 1/4" Xenon / 1/4" SunGuard IS 20 Clear ³ | 0.09 | 0.20 | 0.48 | Super Spacer | 0.44 | 0.12 | 0.25 |
| 1/4" SunGuard SNX 62/27 Clear ¹ / 1/2" Xenon / 1/4" SunGuard IS 20 Clear ⁴ | 0.18 | 0.25 | 0.60 | Stainless | 0.49 | 0.15 | 0.32 |
| 1/4" Solarban 70XL Starphire ¹ / 1/2" Argon / 1/4" Clear | 0.24 | 0.27 | 0.64 | Stainless | 0.52 | 0.16 | 0.34 |
| 1/4" Solarban 60 Clear ¹ / 1/2" Argon / 1/4" Clear | 0.24 | 0.39 | 0.70 | Aluminum | 0.53 | 0.22 | 0.37 |
| 1/4" Cardinal 272 Clear ¹ / 1/2" Argon / 1/4" Clear | 0.25 | 0.40 | 0.70 | Aluminum | 0.53 | 0.23 | 0.37 |
| 1/4" Solarbronze / 1/2" Air / 1/4" Solarban 60 Clear ² | 0.29 | 0.32 | 0.42 | Aluminum | 0.55 | 0.19 | 0.22 |
| 1/4" Clear / 1/2" Air / 1/4" Solarban 70XL Starphire ² | 0.28 | 0.37 | 0.64 | Aluminum | 0.55 | 0.22 | 0.34 |
| 1/4" Solarban 60 Clear ¹ / 1/2" Air / 1/4" Clear | 0.29 | 0.39 | 0.70 | Aluminum | 0.55 | 0.23 | 0.37 |
| 1/4" Cardinal 272 Clear ¹ / 1/2" Air / 1/4" Clear | 0.29 | 0.40 | 0.70 | Aluminum | 0.55 | 0.23 | 0.37 |
| 1/4" Clear / 1/2" Air / 1/4" Clear | 0.47 | 0.70 | 0.79 | Aluminum | 0.64 | 0.39 | 0.42 |

1. Low-e on #2 surface 2. Low-e on #3 surface 3. Low-e on #6 surface 4. Low-e on #4 surface 5. In accordance with NFRC 100 6. In accordance with NFRC 200

Solarban is a registered trademark of Vitro Architectural Glass. Heat Mirror is a registered trademark of Southwall Technologies, Inc. Cardinal is a registered trademark of Cardinal Glass Industries, Inc. SunGuard is a registered trademark of Guardian Industries Corp.

crlaurence.com

usalum.com

crl-arch.com