

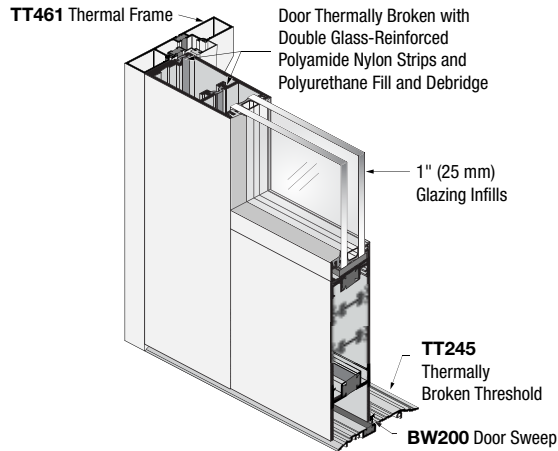
# THERMAL PERFORMANCE - GLAZING SELECTION CHART

Contact CRL-U.S. Aluminum Technical Sales at (800) 262-5151 in the U.S. or Canada, or (323) 588-1281 (International). Ask for Extension 15305. Additional product details are available online at [crlaurence.com/entrances](http://crlaurence.com/entrances).

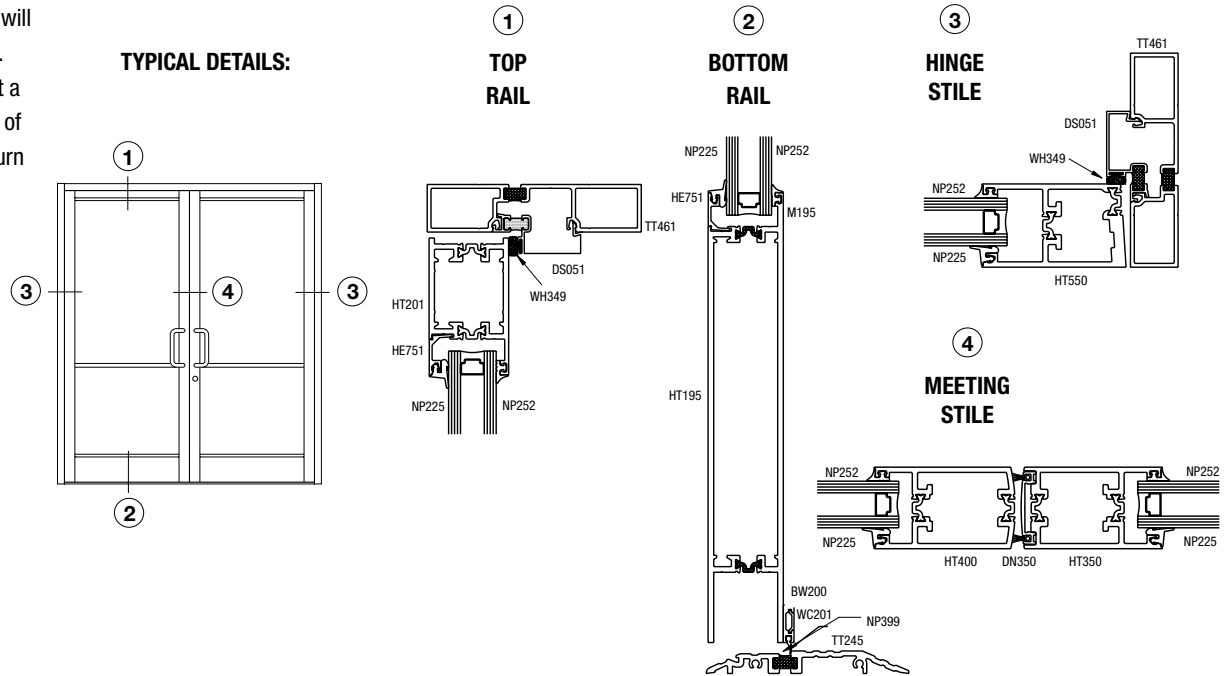


## Series 250T Pair with 10" Bottom Rail and 1" Frame

Below are various insulating glazing assemblies and spacer combinations that will provide this system with U-factors ranging from a low of 0.39 to a high of 0.61. If your particular combination of glazing and spacer isn't shown, please contact a CRL- U.S. Aluminum Technical Sales Representative and initiate a request. One of our on-staff thermal simulation engineers will conduct the calculations and return a report that can be utilized for bidding and design purposes.



TYPICAL DETAILS:



GLAZING ASSEMBLY - 1" INSULATING	CENTER OF GLAZING U-FACTOR <sup>5</sup>	CENTER OF GLAZING SHGC <sup>6</sup>	CENTER OF GLAZING VT <sup>6</sup>	SPACER	OVERALL SYSTEM U-FACTOR <sup>5</sup>	OVERALL SYSTEM SHGC <sup>6</sup>	OVERALL SYSTEM VT <sup>6</sup>
1/4" SunGuard SNX 62/27 Clear <sup>1</sup> / 1/4" Xenon / Heat Mirror 77 Film / 1/4" Xenon / 1/4" SunGuard IS 20 Clear <sup>3</sup>	0.09	0.20	0.48	Super Spacer	0.38	0.14	0.31
1/4" SunGuard SNX 62/27 Clear <sup>1</sup> / 1/2" Xenon / 1/4" SunGuard IS 20 Clear <sup>4</sup>	0.18	0.25	0.60	Stainless	0.44	0.18	0.39
1/4" Solarban 70XL Starphire <sup>1</sup> / 1/2" Argon / 1/4" Clear	0.24	0.27	0.64	Stainless	0.47	0.19	0.42
1/4" Solarban 60 Clear <sup>1</sup> / 1/2" Argon / 1/4" Clear	0.24	0.38	0.70	Aluminum	0.48	0.26	0.46
1/4" Cardinal 272 Clear <sup>1</sup> / 1/2" Argon / 1/4" Clear	0.25	0.40	0.70	Aluminum	0.49	0.27	0.45
1/4" Solarbronze / 1/2" Air / 1/4" Solarban 60 Clear <sup>2</sup>	0.29	0.31	0.42	Aluminum	0.51	0.22	0.27
1/4" Clear / 1/2" Air / 1/4" Solarban 70XL Starphire <sup>2</sup>	0.29	0.37	0.64	Aluminum	0.51	0.25	0.42
1/4" Solarban 60 Clear <sup>1</sup> / 1/2" Air / 1/4" Clear	0.29	0.38	0.70	Aluminum	0.51	0.27	0.46
1/4" Cardinal 272 Clear <sup>1</sup> / 1/2" Air / 1/4" Clear	0.29	0.40	0.70	Aluminum	0.51	0.28	0.45
1/4" Clear / 1/2" Air / 1/4" Clear	0.47	0.70	0.79	Aluminum	0.62	0.47	0.51

1. Low-e on #2 surface 2. Low-e on #3 surface 3. Low-e on #6 surface 4. Low-e on #4 surface 5. In accordance with NFRC 100 6. In accordance with NFRC 200

Solarban is a registered trademark of Vitro Architectural Glass. SunGuard is a registered trademark of Guardian Industries Corp.