

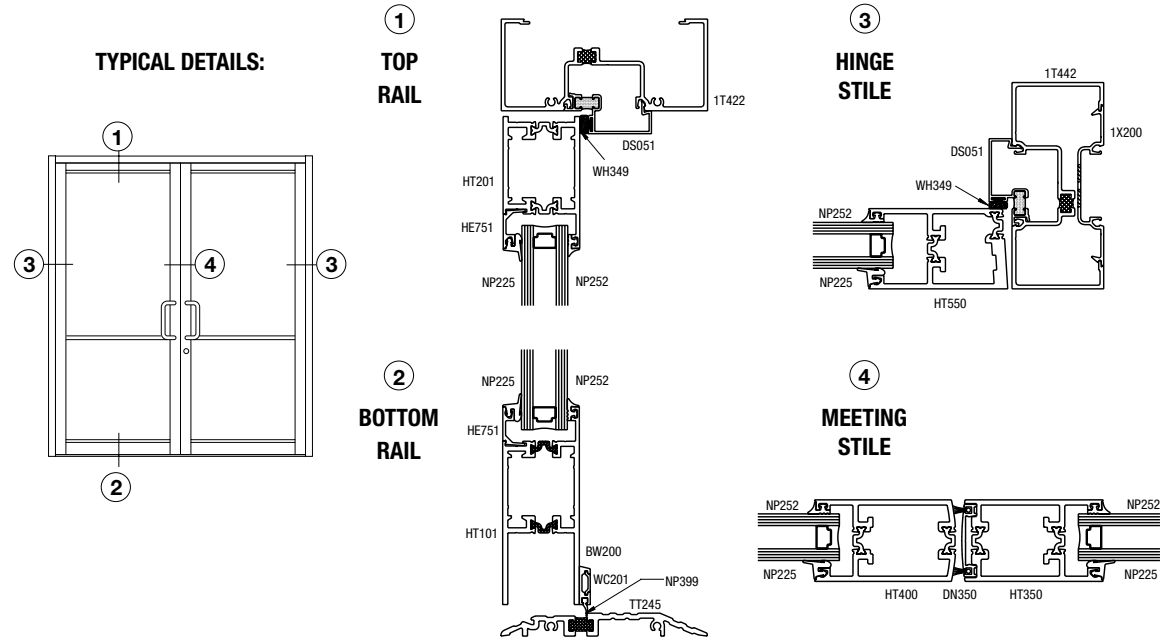
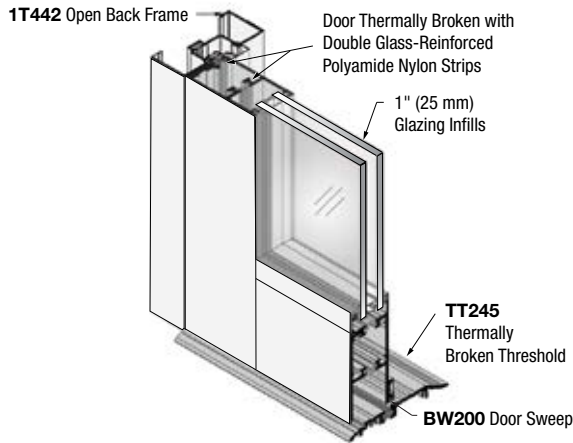
# THERMAL PERFORMANCE - GLAZING SELECTION CHART

Contact CRL-U.S. Aluminum Technical Sales at (800) 262-5151 in the U.S. or Canada, or (323) 588-1281 (International). Ask for Extension 15305. Additional product details are available online at [crlaurence.com/entrances](http://crlaurence.com/entrances).



## Series 250T Pair with 4- 5/16" Bottom Rail and IT451 Frame

Below are various insulating glazing assemblies and spacer combinations that will provide this system with U-factors ranging from a low of 0.38 to a high of 0.63. If your particular combination of glazing and spacer isn't shown, please contact a CRL- U.S. Aluminum Technical Sales Representative and initiate a request. One of our on-staff thermal simulation engineers will conduct the calculations and return a report that can be utilized for bidding and design purposes.



| GLAZING ASSEMBLY - 1" INSULATING  | CENTER OF GLAZING U-FACTOR <sup>5</sup> | CENTER OF GLAZING SHGC <sup>6</sup> | CENTER OF GLAZING VT <sup>6</sup> | SPACER       | OVERALL SYSTEM U-FACTOR <sup>5</sup> | OVERALL SYSTEM SHGC <sup>6</sup> | OVERALL SYSTEM VT <sup>6</sup> |
|---|---|-------------------------------------|-----------------------------------|--------------|--------------------------------------|----------------------------------|--------------------------------|
| 1/4" SunGuard SNX 62/27 Clear <sup>1</sup> / 1/4" Xenon / Heat Mirror 77 Film / 1/4" Xenon / 1/4" SunGuard IS 20 Clear <sup>3</sup> | 0.09                                    | 0.20                                | 0.48                              | Super Spacer | 0.38                                 | 0.15                             | 0.32                           |
| 1/4" SunGuard SNX 62/27 Clear <sup>1</sup> / 1/2" Xenon / 1/4" SunGuard IS 20 Clear <sup>4</sup>                                    | 0.18                                    | 0.25                                | 0.60                              | Stainless    | 0.44                                 | 0.18                             | 0.40                           |
| 1/4" Solarban 70XL Starphire <sup>1</sup> / 1/2" Argon / 1/4" Clear   | 0.24                                    | 0.27                                | 0.64                              | Stainless    | 0.47                                 | 0.20                             | 0.43                           |
| 1/4" Solarban 60 Clear <sup>1</sup> / 1/2" Argon / 1/4" Clear   | 0.24                                    | 0.38                                | 0.70                              | Aluminum     | 0.49                                 | 0.27                             | 0.48                           |
| 1/4" Cardinal 272 Clear <sup>1</sup> / 1/2" Argon / 1/4" Clear  | 0.25                                    | 0.40                                | 0.70                              | Aluminum     | 0.49                                 | 0.28                             | 0.47                           |
| 1/4" Solarbronze / 1/2" Air / 1/4" Solarban 60 Clear <sup>2</sup>   | 0.29                                    | 0.31                                | 0.42                              | Aluminum     | 0.51                                 | 0.23                             | 0.28                           |
| 1/4" Clear / 1/2" Air / 1/4" Solarban 70XL Starphire <sup>2</sup>   | 0.29                                    | 0.37                                | 0.64                              | Aluminum     | 0.51                                 | 0.26                             | 0.43                           |
| 1/4" Solarban 60 Clear <sup>1</sup> / 1/2" Air / 1/4" Clear   | 0.29                                    | 0.38                                | 0.70                              | Aluminum     | 0.51                                 | 0.27                             | 0.48                           |
| 1/4" Cardinal 272 Clear <sup>1</sup> / 1/2" Air / 1/4" Clear  | 0.29                                    | 0.40                                | 0.70                              | Aluminum     | 0.52                                 | 0.29                             | 0.47                           |
| 1/4" Clear / 1/2" Air / 1/4" Clear  | 0.47                                    | 0.70                                | 0.79                              | Aluminum     | 0.63                                 | 0.49                             | 0.53                           |

1. Low-e on #2 surface 2. Low-e on #3 surface 3. Low-e on #6 surface 4. Low-e on #4 surface 5. In accordance with NFRC 100 6. In accordance with NFRC 200

Solarban is a registered trademark of Vitro Architectural Glass. SunGuard is a registered trademark of Guardian Industries Corp.