

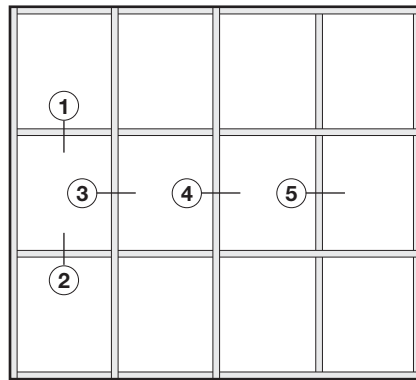
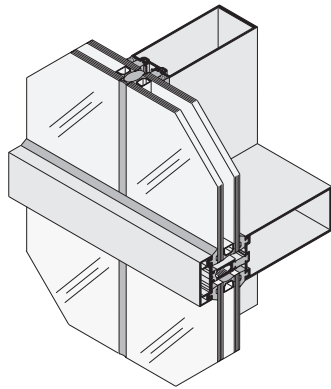
THERMAL PERFORMANCE - GLAZING SELECTION CHART

Contact CRL-U.S. Aluminum Technical Sales at (800) 262-5151 in the U.S. or Canada, or (323) 588-1281 (International). Ask for Extension 15305. Additional product details are available online at crlaurence.com/curtain-walls.

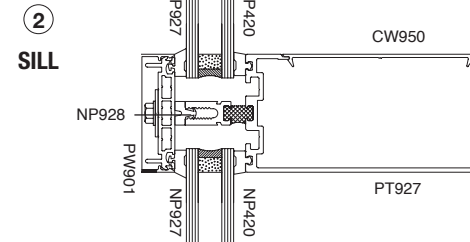
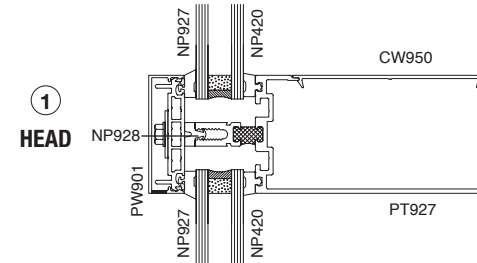


Series 3252 HP SSG High Performance Curtain Wall - Open Back

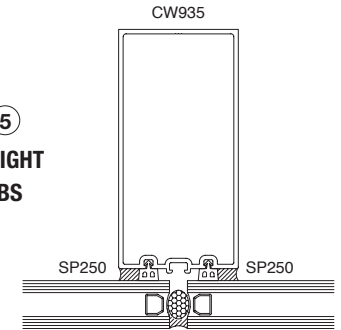
Below are various insulating glazing assemblies and spacer combinations that will provide this system with U-factors ranging from a low of 0.25 to a high of 0.53 If your particular combination of glazing and spacer isn't shown, please contact a CRL - U.S. Aluminum Technical Sales Representative and initiate a request. One of our on-staff thermal simulation engineers will conduct the calculations and return a report that can be utilized for bidding and design purposes.



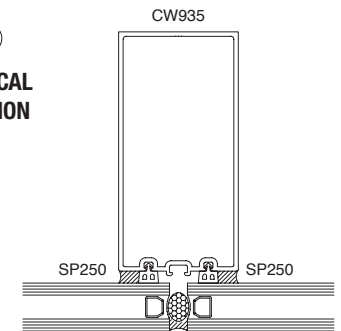
TYPICAL O/O SIMULATION DETAILS:



3 5 LEFT/RIGHT JAMBS



4 VERTICAL MULLION



GLAZING ASSEMBLY - 1" INSULATING	CENTER OF GLAZING U-FACTOR ³	CENTER OF GLAZING SHGC ⁴	CENTER OF GLAZING VT ⁴	SPACER	OVERALL SYSTEM U-FACTOR ³	OVERALL SYSTEM SHGC ⁴	OVERALL SYSTEM VT ⁴
1/4" SunGuard SNX 51/23 Clear ¹ / 1/2" Argon / 1/4" SunGuard IS 20 Clear ²	0.20	0.22	0.49	K4SG	0.25	0.22	0.45
1/4" SunGuard SNX 62/27 Clear ¹ / 1/2" Argon / 1/4" SunGuard IS 20 Clear ²	0.20	0.25	0.60	K4SG	0.25	0.26	0.54
1/4" Solarban 90 Clear ¹ / 1/2" Argon / 1/4" Clear	0.24	0.23	0.51	Stainless	0.31	0.24	0.46
1/4" SunGuard SNX 51/23 Clear ¹ / 1/2" Argon / 1/4" Clear	0.24	0.23	0.51	Stainless	0.31	0.24	0.46
1/4" Solarban 70 Clear ¹ / 1/2" Argon / 1/4" Clear	0.24	0.27	0.64	Stainless	0.31	0.28	0.58
1/4" Solarban 60 Clear ¹ / 1/2" Argon / 1/4" Clear	0.24	0.39	0.70	Stainless	0.31	0.39	0.64
1/4" SunGuard SN 68 Clear ¹ / 1/2" Argon / 1/4" Clear	0.25	0.37	0.67	Aluminum	0.34	0.38	0.61
1/4" Solarban 70 Clear ¹ / 1/2" Air / 1/4" Clear	0.28	0.27	0.64	Aluminum	0.37	0.30	0.58
1/4" Solarban 60 Clear ¹ / 1/2" Air / 1/4" Clear	0.29	0.39	0.70	Aluminum	0.38	0.40	0.64
1/4" Clear / 1/2" Air / 1/4" Clear	0.47	0.70	0.79	Aluminum	0.53	0.69	0.72

1. Low-e on #2 surface 2. Low-e on #4 surface 3. In accordance with NFRC 100 4. In accordance with NFRC 200

Solarban is a registered trademark of Vitro. SunGuard is a registered trademark of Guardian Industries Corp.