

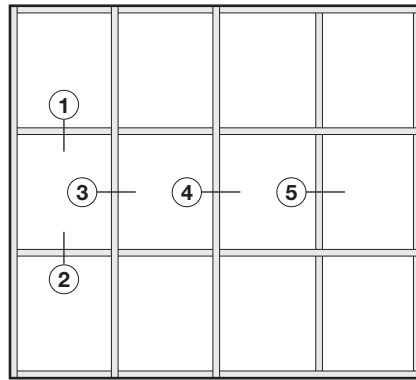
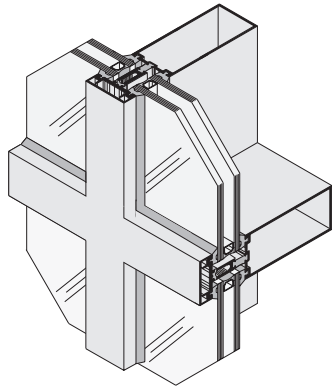
THERMAL PERFORMANCE - GLAZING SELECTION CHART

Contact CRL-U.S. Aluminum Technical Sales at (800) 262-5151 in the U.S. or Canada, or (323) 588-1281 (International). Ask for Extension 15305. Additional product details are available online at crlaurence.com/curtain-walls.

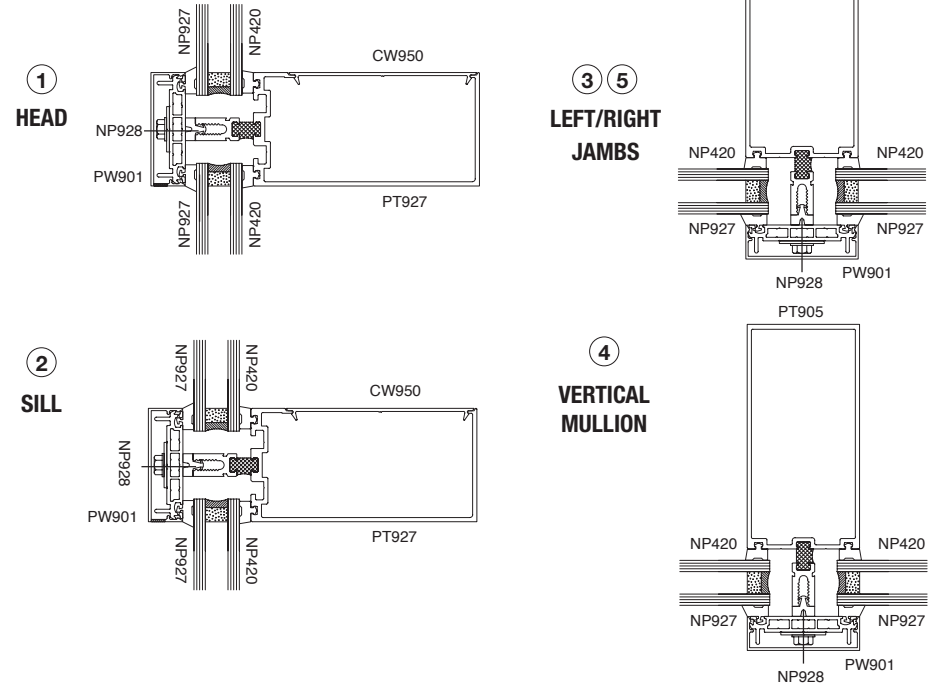


Series 3252 HP High Performance Curtain Wall - Open Back

Below are various insulating glazing assemblies and spacer combinations that will provide this system with U-factors ranging from a low of 0.26 to a high of 0.52. If your particular combination of glazing and spacer isn't shown, please contact a CRL - U.S. Aluminum Technical Sales Representative and initiate a request. One of our on-staff thermal simulation engineers will conduct the calculations and return a report that can be utilized for bidding and design purposes.



TYPICAL O/O SIMULATION DETAILS:



| GLAZING ASSEMBLY - 1" INSULATING | CENTER OF GLAZING U-FACTOR ³ | CENTER OF GLAZING SHGC ⁴ | CENTER OF GLAZING VT ⁴ | SPACER | OVERALL SYSTEM U-FACTOR ³ | OVERALL SYSTEM SHGC ⁴ | OVERALL SYSTEM VT ⁴ |
|--|---|-------------------------------------|-----------------------------------|-----------|--------------------------------------|----------------------------------|--------------------------------|
| 1/4" SunGuard SNX 51/23 Clear ¹ / 1/2" Argon / 1/4" SunGuard IS 20 Clear ² | 0.20 | 0.22 | 0.49 | K4SG | 0.26 | 0.20 | 0.44 |
| 1/4" SunGuard SNX 62/27 Clear ¹ / 1/2" Argon / 1/4" SunGuard IS 20 Clear ² | 0.20 | 0.25 | 0.60 | K4SG | 0.26 | 0.23 | 0.54 |
| 1/4" Solarban 90 Clear ¹ / 1/2" Argon / 1/4" Clear | 0.24 | 0.23 | 0.51 | Stainless | 0.31 | 0.21 | 0.46 |
| 1/4" SunGuard SNX 51/23 Clear ¹ / 1/2" Argon / 1/4" Clear | 0.24 | 0.23 | 0.51 | Stainless | 0.31 | 0.21 | 0.45 |
| 1/4" Solarban 70 Clear ¹ / 1/2" Argon / 1/4" Clear | 0.24 | 0.27 | 0.64 | Stainless | 0.31 | 0.25 | 0.58 |
| 1/4" Solarban 60 Clear ¹ / 1/2" Argon / 1/4" Clear | 0.24 | 0.39 | 0.70 | Stainless | 0.32 | 0.35 | 0.63 |
| 1/4" SunGuard SN 68 Clear ¹ / 1/2" Argon / 1/4" Clear | 0.25 | 0.37 | 0.67 | Aluminum | 0.33 | 0.34 | 0.61 |
| 1/4" Solarban 70 Clear ¹ / 1/2" Air / 1/4" Clear | 0.28 | 0.27 | 0.64 | Aluminum | 0.37 | 0.25 | 0.58 |
| 1/4" Solarban 60 Clear ¹ / 1/2" Air / 1/4" Clear | 0.29 | 0.39 | 0.70 | Aluminum | 0.37 | 0.36 | 0.63 |
| 1/4" Clear / 1/2" Air / 1/4" Clear | 0.47 | 0.70 | 0.79 | Aluminum | 0.52 | 0.64 | 0.71 |

1. Low-e on #2 surface 2. Low-e on #4 surface 3. In accordance with NFRC 100 4. In accordance with NFRC 200

Solarban is a registered trademark of Vitro. SunGuard is a registered trademark of Guardian Industries Corp.