

THERMAL PERFORMANCE - GLAZING SELECTION CHART

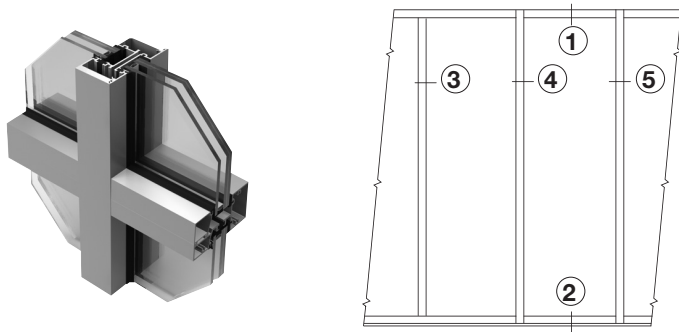
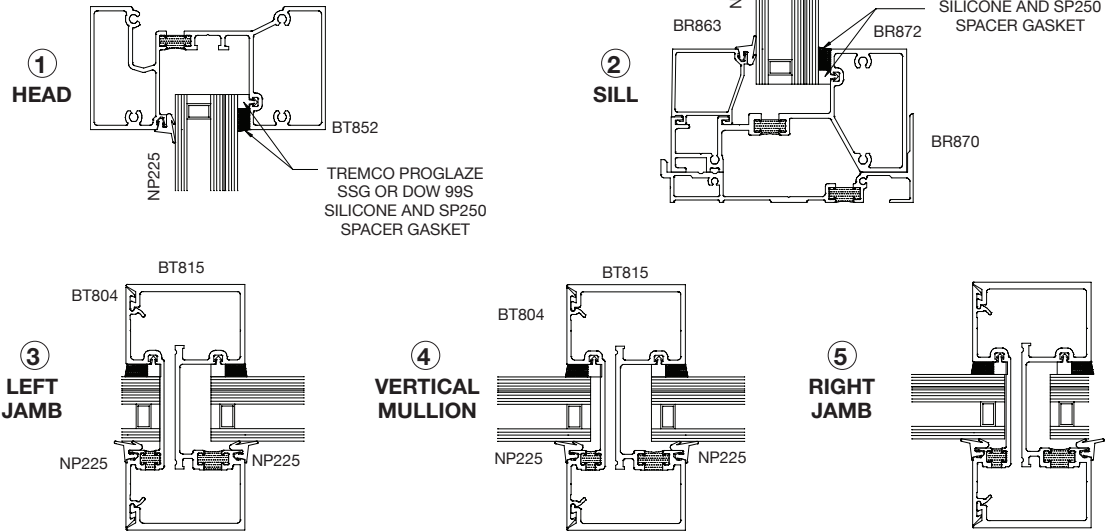
Contact CRL-U.S. Aluminum Technical Sales at (800) 262-5151 in the U.S. or Canada, or (323) 588-1281 (International). Ask for Extension 15305. Additional product details are available online at crlaurence.com/blast-mitigation.



BT601 Blast Resistant Storefront

Below are various insulating glazing assemblies and spacer combinations that will provide this system with U-factors ranging from a low of 0.26 to a high of 0.54. If your particular combination of glazing and spacer isn't shown, please contact a CRL - U.S. Aluminum Technical Sales Representative and initiate a request. One of our on-staff thermal simulation engineers will conduct the calculations and return a report that can be utilized for bidding and design purposes.

TYPICAL DETAILS:



GLAZING ASSEMBLY - 1-5/16" IMPACT GLAZING	CENTER OF GLAZING U-FACTOR ⁵	CENTER OF GLAZING SHGC ⁶	CENTER OF GLAZING VT ⁶	SPACER	OVERALL SYSTEM U-FACTOR ⁵	OVERALL SYSTEM SHGC ⁶	OVERALL SYSTEM VT ⁶
1/4" SunGuard SN68 Clear ¹ / 1/4" Xenon / Heat Mirror 77 / 1/4" Xenon / 1/4" SN68 ² .030PVB/ 1/4" Clear	0.09	0.27	0.44	Super Spacer	0.26	0.24	0.36
1/4" SunGuard SNX 62/27 Clear ¹ / 1/2" Xenon / 1/4" Clear/.030PVB/ 1/4" Sunguard IS20 Clear ³	0.17	0.25	0.57	Stainless	0.32	0.22	0.49
1/4" SolarBan70XL ¹ / 1/2" Argon / 1/4" Clear ⁴ /.030PVB/ 1/4" Clear	0.23	0.24	0.44	Stainless	0.37	0.21	0.37
1/4" SolarBan60 ¹ / 1/2" Argon / 1/4" Clear ⁴ /.030PVB/ 1/4" Clear	0.24	0.38	0.69	Aluminum	0.38	0.31	0.49
1/4" Cardinal 366 ¹ / 1/2" Argon / 1/4" Clear ⁴ /.030PVB/ 1/4" Clear	0.23	0.25	0.43	Aluminum	0.38	0.22	0.36
1/4" SolarBronze ¹ / 1/2" Air / 1/4" SolarBan60 ⁴ /.060PVB/ 1/4" Clear	0.45	0.37	0.38	Aluminum	0.55	0.32	0.33
1/4" Clear / 1/2" Air / 1/4" Solarban70XL ⁴ /.030PVB/ 1/4" Clear	0.28	0.27	0.62	Aluminum	0.41	0.24	0.53
1/4" Clear / 1/2" Air / 1/4" Solarban60 ⁴ /.030PVB/ 1/4" Clear	0.28	0.38	0.68	Aluminum	0.42	0.33	0.58
1/4" Clear / 1/2" Air / 1/4" Cardinal 366 ⁴ /.030PVB/ 1/4" Clear	0.28	0.27	0.61	Aluminum	0.41	0.24	0.52
1/4" Clear / 1/2" Air / 1/4" Clear/.090PVB/ 1/4" Clear	0.45	0.67	0.77	Aluminum	0.54	0.58	0.69

1. Low-e on #2 surface 2. Low-e on #3 surface 3. Low-e on #6 surface 4. Low-e on #4 surface 5. In accordance with NFRC 100 6. In accordance with NFRC 200

Solarban is a registered trademark of Vitro Architectural Glass. SunGuard is a registered trademark of Guardian Industries Corp.