

# THERMAL PERFORMANCE - GLAZING SELECTION CHART

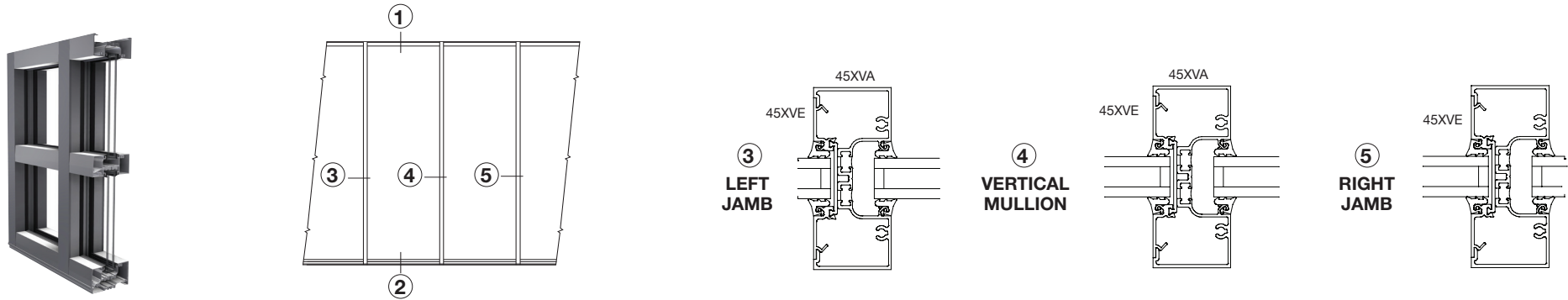
Contact CRL-U.S. Aluminum Technical Sales at (800) 262-5151 in the U.S. or Canada, or (323) 588-1281 (International). Ask for Extension 15305. Additional product details are available online at [crlaurence.com/storefronts](http://crlaurence.com/storefronts).



## 45X Storefront 1" Insulated

Below are various insulating glazing assemblies and spacer combinations that will provide this system with U-factors ranging from a low of 0.19 to a high of 0.52. If your particular combination of glazing and spacer isn't shown, please contact a CRL - U.S. Aluminum Technical Sales Representative and initiate a request. One of our on-staff thermal simulation engineers will conduct the calculations and return a report that can be utilized for bidding and design purposes.

### TYPICAL DETAILS:



45X STOREFRONT - GLAZING ASSEMBLY - 1" INSULATED - 78.74" X 78.74"	CENTER OF GLAZING U-FACTOR <sup>5</sup>	CENTER OF GLAZING SHGC <sup>6</sup>	CENTER OF GLAZING VT <sup>6</sup>	SPACER	OVERALL SYSTEM U-FACTOR <sup>5</sup>	OVERALL SYSTEM SHGC <sup>6</sup>	OVERALL SYSTEM VT <sup>6</sup>
1/4" SunGuard SNX 62/27 Clear <sup>1</sup> / 1/4" Xenon / Heat Mirror 77 Film / 1/4" Xenon / 1/4" Sunguard IS20 Clear <sup>3</sup>	0.09	0.20	0.48	Super Spacer	0.19	0.18	0.42
1/4" SunGuard SNX 62/27 Clear <sup>1</sup> / 1/2" Xenon / 1/4" Sunguard IS20 Clear <sup>4</sup>	0.18	0.25	0.60	Stainless	0.27	0.23	0.53
1/4" Solarban 70XL Starphire <sup>1</sup> / 1/2" Argon / 1/4" Clear	0.24	0.27	0.64	Stainless	0.32	0.25	0.57
1/4" Solarban 60 Clear <sup>1</sup> / 12" Argon / 1/4" Clear	0.24	0.39	0.70	Aluminum	0.34	0.35	0.63
1/4" Cardinal 272 Clear <sup>1</sup> / 1/2" Argon / 1/4" Clear	0.25	0.40	0.70	Aluminum	0.34	0.36	0.62
1/4" Solarbronze / 1/2" Air / 1/4" Solarban 60 Clear <sup>2</sup>	0.29	0.32	0.42	Aluminum	0.38	0.29	0.37
1/4" Clear / 1/2" Air / 1/4" Solarban 70XL Starphire <sup>2</sup>	0.28	0.37	0.64	Aluminum	0.37	0.34	0.57
1/4" Solarban 60 Clear <sup>1</sup> / 1/2" Air / 1/4" Clear	0.29	0.39	0.70	Aluminum	0.38	0.35	0.63
1/4" Cardinal 272 Clear <sup>1</sup> / 1/2" Air / 1/4" Clear	0.29	0.40	0.70	Aluminum	0.38	0.36	0.62
1/4" Clear / 1/2" Air / 1/4" Clear	0.47	0.70	0.79	Aluminum	0.52	0.66	0.71

1. Low-e on #2 surface    2. Low-e on #3 surface    3. Low-e on #6 surface    4. Low-e on #4 surface    5. In accordance with NFRC 100    6. In accordance with NFRC 200

Solarban is a registered trademark of Vitro Architectural Glass. SunGuard is a registered trademark of Guardian Industries Corp.