

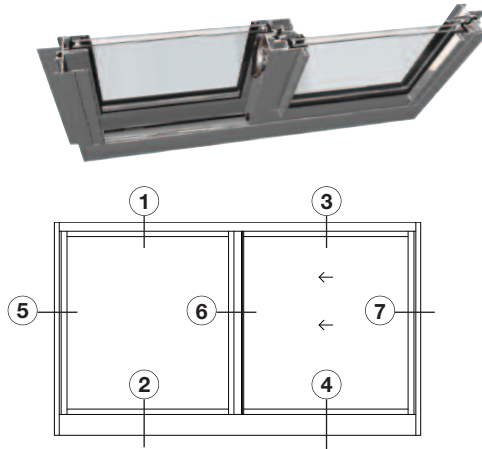
THERMAL PERFORMANCE - GLAZING SELECTION CHART

Contact CRL-U.S. Aluminum Technical Sales at (800) 262-5151 in the U.S. or Canada, or (323) 588-1281 (International). Ask for Extension 15305. Additional product details are available online at crlaurence.com/windows.

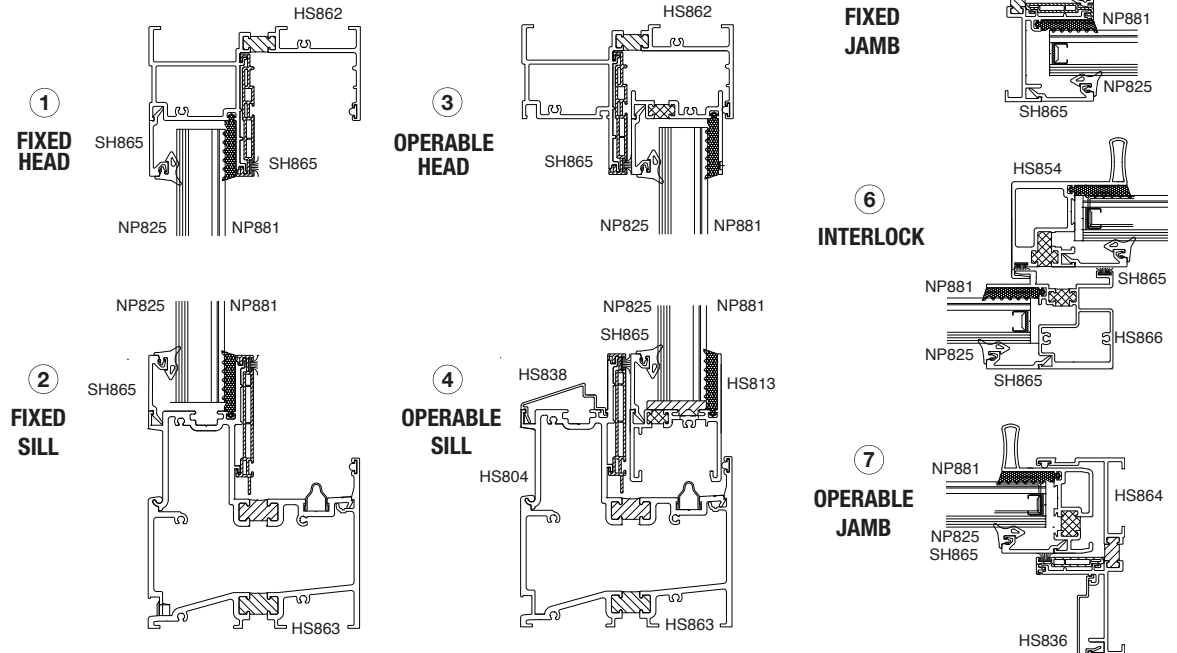


Series 8200 Horizontal Sliding Window

Below are various insulating glazing assemblies and spacer combinations that will provide this system with U-factors ranging from a low of 0.35 to a high of 0.61. If your particular combination of glazing and spacer isn't shown, please contact a CRL - U.S. Aluminum Technical Sales Representative and initiate a request. One of our on-staff thermal simulation engineers will conduct the calculations and return a report that can be utilized for bidding and design purposes.



TYPICAL DETAILS:



| GLAZING ASSEMBLY - 1" INSULATING | CENTER OF GLAZING U-FACTOR ⁵ | CENTER OF GLAZING SHGC ⁶ | CENTER OF GLAZING VT ⁶ | SPACER | OVERALL SYSTEM U-FACTOR ⁵ | OVERALL SYSTEM SHGC ⁶ | OVERALL SYSTEM VT ⁶ |
|---|---|-------------------------------------|-----------------------------------|--------------|--------------------------------------|----------------------------------|--------------------------------|
| 1/4" SunGuard SNX 62/27 Clear ¹ / 1/4" Xenon / Heat Mirror 77 Film / 1/4" Xenon / 1/4" SunGuard IS 20 Clear ³ | 0.09 | 0.20 | 0.48 | Super Spacer | 0.35 | 0.15 | 0.33 |
| 1/4" SunGuard SNX 62/27 Clear ¹ / 1/2" Xenon / 1/4" SunGuard IS 20 Clear ⁴ | 0.18 | 0.25 | 0.60 | Stainless | 0.42 | 0.18 | 0.41 |
| 1/4" Solarban 70XL Starphire ¹ / 1/2" Argon / 1/4" Clear | 0.24 | 0.27 | 0.64 | Stainless | 0.46 | 0.20 | 0.44 |
| 1/4" Solarban 60 Clear ¹ / 1/2" Argon / 1/4" Clear | 0.24 | 0.38 | 0.70 | Aluminum | 0.47 | 0.27 | 0.48 |
| 1/4" Cardinal 272 Clear ¹ / 1/2" Argon / 1/4" Clear | 0.25 | 0.40 | 0.70 | Aluminum | 0.47 | 0.28 | 0.48 |
| 1/4" Solarbronze / 1/2" Air / 1/4" Solarban 60 Clear ² | 0.29 | 0.31 | 0.42 | Aluminum | 0.50 | 0.23 | 0.29 |
| 1/4" Clear / 1/2" Air / 1/4" Solarban 70XL Starphire ² | 0.29 | 0.37 | 0.64 | Aluminum | 0.49 | 0.26 | 0.44 |
| 1/4" Solarban 60 Clear ¹ / 1/2" Air / 1/4" Clear | 0.29 | 0.38 | 0.70 | Aluminum | 0.50 | 0.27 | 0.48 |
| 1/4" Cardinal 272 Clear ¹ / 1/2" Air / 1/4" Clear | 0.29 | 0.40 | 0.70 | Aluminum | 0.50 | 0.29 | 0.48 |
| 1/4" Clear / 1/2" Air / 1/4" Clear | 0.47 | 0.70 | 0.79 | Aluminum | 0.61 | 0.49 | 0.54 |

1. Low-e on #2 surface 2. Low-e on #3 surface 3. Low-e on #6 surface 4. Low-e on #4 surface 5. In accordance with NFRC 100 6. In accordance with NFRC 200

Solarban, Starphire, Sungate, and Solarbronze are registered trademarks of PPG Industries Ohio, Inc. Heat Mirror is a registered trademark of Southwall Technologies, Inc. Cardinal is a registered trademark of Cardinal Glass Industries, Inc. SunGuard is a registered trademark of Guardian Industries Corp.