

THERMAL PERFORMANCE - GLAZING SELECTION CHART

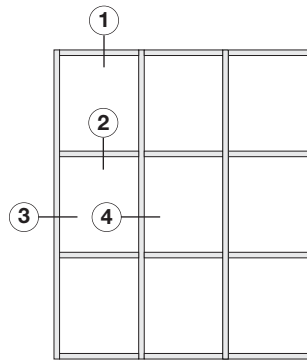
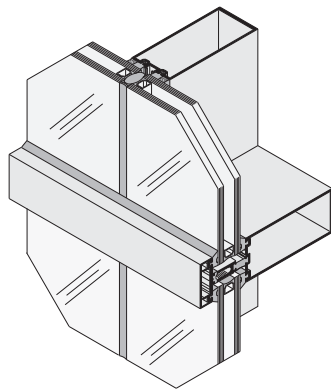
Contact CRL-U.S. Aluminum Technical Sales at (800) 262-5151 in the U.S. or Canada, or (323) 588-1281 (International). Ask for Extension 5305. Additional product details are available online at crlaurence.com/curtain-walls.



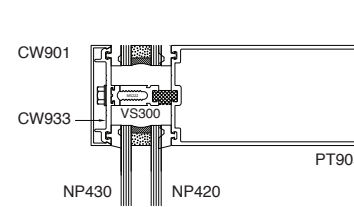
Series 3252SG Curtain Wall - Tubular

Below are various insulating glazing assemblies and spacer combinations that will provide this system with U-factors ranging from a low of 0.18 to a high of 0.55. If your particular combination of glazing and spacer isn't shown, please contact a CRL - U.S. Aluminum Technical Sales Representative and initiate a request. One of our on-staff thermal simulation engineers will conduct the calculations and return a report that can be utilized for bidding and design purposes.

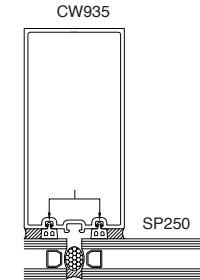
TYPICAL DETAILS:



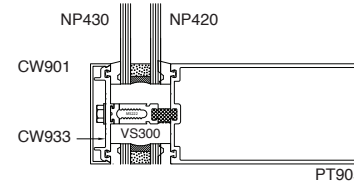
1 HEAD



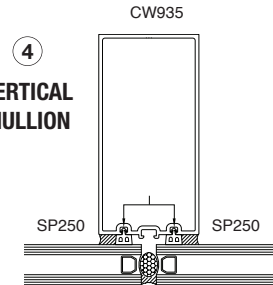
3 JAMB



2 SILL



4 VERTICAL MULLION



GLAZING ASSEMBLY - 1" INSULATING	CENTER OF GLAZING U-FACTOR ⁵	CENTER OF GLAZING SHGC ⁶	CENTER OF GLAZING VT ⁶	SPACER	OVERALL SYSTEM U-FACTOR ⁵	OVERALL SYSTEM SHGC ⁶	OVERALL SYSTEM VT ⁶
1/4" Solarban 70XL Starphire ¹ / 1/4" Xenon / Heat Mirror 77 Film / 1/4" Xenon / 1/4" Sungate 600 Clear ³	0.09	0.21	0.48	Super Spacer	0.18	0.22	0.44
1/4" Solarban 70XL Starphire ¹ / 1/2" Xenon / 1/4" Sungate 600 Clear ⁴	0.17	0.26	0.60	Stainless	0.30	0.28	0.54
1/4" Solarban 70XL Starphire ¹ / 1/2" Argon / 1/4" Clear	0.24	0.27	0.64	Stainless	0.33	0.28	0.58
1/4" Solarban 60 Clear ¹ / 1/2" Argon / 1/4" Clear	0.24	0.38	0.70	Aluminum	0.36	0.39	0.64
1/4" Cardinal 272 Clear ¹ / 1/2" Argon / 1/4" Clear	0.25	0.40	0.70	Aluminum	0.36	0.41	0.63
1/4" Solarbronze / 1/2" Air / 1/4" Solarban 60 Clear ²	0.29	0.31	0.42	Aluminum	0.40	0.33	0.38
1/4" Clear / 1/2" Air / 1/4" Solarban 70XL Starphire ²	0.29	0.37	0.64	Aluminum	0.39	0.39	0.58
1/4" Solarban 60 Clear / 1/2" Air / 1/4" Clear	0.29	0.38	0.70	Aluminum	0.40	0.40	0.64
1/4" Cardinal 272 Clear ¹ / 1/2" Air / 1/4" Clear	0.29	0.40	0.70	Aluminum	0.40	0.42	0.63
1/4" Clear / 1/2" Air / 1/4" Clear	0.47	0.70	0.79	Aluminum	0.55	0.69	0.72

1. Low-e on #2 surface 2. Low-e on #3 surface 3. Low-e on #6 surface 4. Low-e on #4 surface 5. In accordance with NFRC 100 6. In accordance with NFRC 200

Solarban, Starphire, Sungate, and Solarbronze are registered trademarks of PPG Industries Ohio, Inc. Heat Mirror is a registered trademark of Southwall Technologies, Inc. Cardinal is a registered trademark of Cardinal Glass Industries, Inc. SunGuard is a registered trademark of Guardian Industries Corp.