

curtain walls



entrances • storefronts • **curtain walls** • windows • **hurricane resistant systems**
blast resistant systems • ribbon walls • **sun control products**



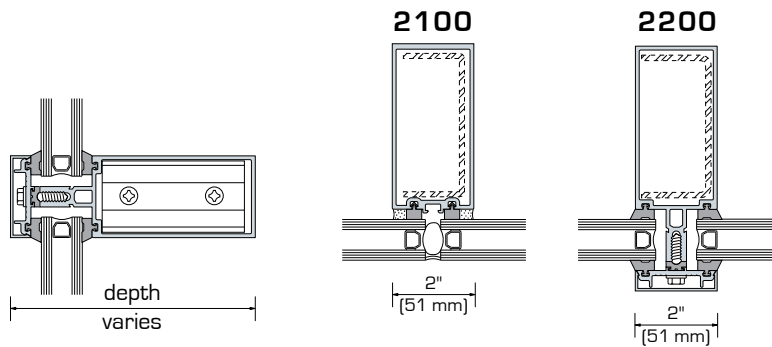
Royse City High School - Royse City, TX



Knoxville Convention Center - Knoxville, TN

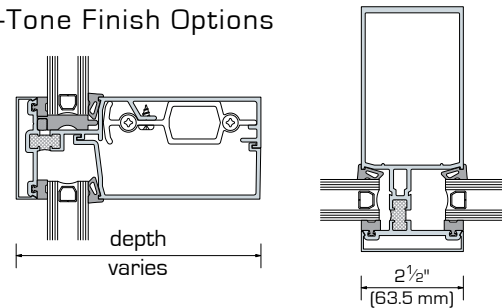
SERIES 2100/2200 CURTAIN WALL

- Low to Mid-Rise Buildings
- Series 2100 Features Structural Silicone Glazed Vertical Mullions
- Stick or Panel Erected



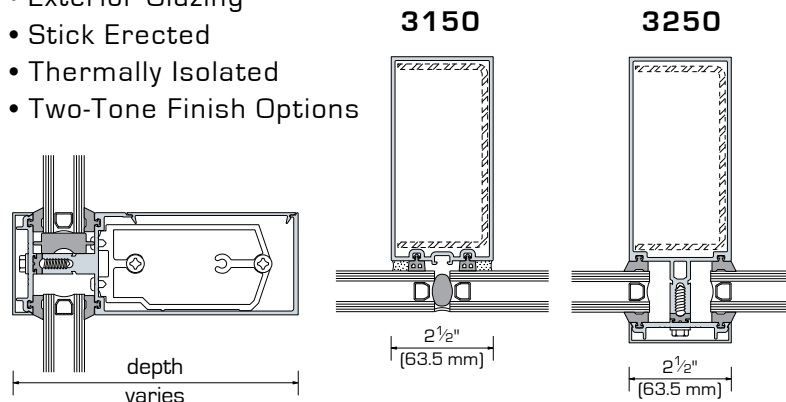
SERIES 4250 CURTAIN WALL

- Low to Mid-Rise Buildings
- Interior Glazing
- Stick Erected
- Poly-Aluminizer™ and Struct-Link™ Thermal Break Technology
- Non-Thermal Option Available
- Two-Tone Finish Options



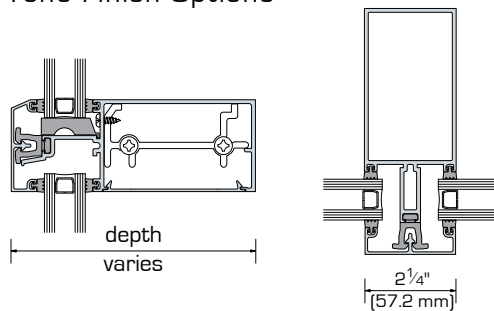
SERIES 3150/3250 CURTAIN WALL

- Low to Mid-Rise Buildings
- Series 3150 Features Structural Silicone Glazed Vertical Mullions
- Exterior Glazing
- Stick Erected
- Thermally Isolated
- Two-Tone Finish Options



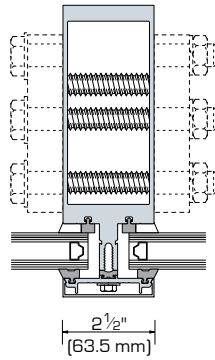
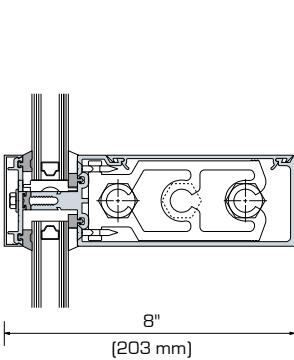
SERIES 4500 CURTAIN WALL (Patent No. 5,839,236)

- Low to Mid-Rise Buildings
- Exterior Glazing
- Stick or Panel Erected
- Vertical Butt Glaze Option
- UNIflash™ Integral Extruded Flashing
- Two-Tone Finish Options



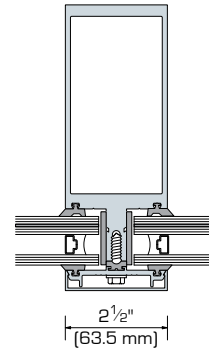
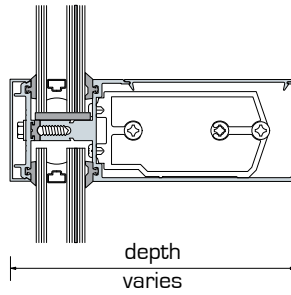
THE BLAST MITIGATION DEFENDER SERIES BW3250

- UFC 4-010-01 Compliant
- Exterior Glazing
- No Exposed Fasteners
- Thermally Isolated
- Silicone Glazed



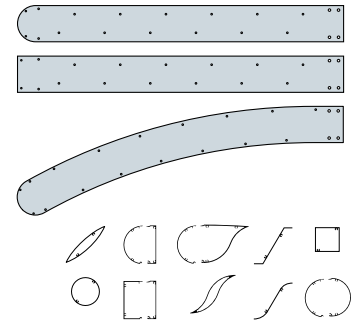
THE HURRICANE RESISTANT STORM WALL® SERIES IW3250

- Large and Small Missile Tested
- Dry Glazed
- Pressure Bar Glazing
- Thermally Isolated
- No Exposed Fasteners



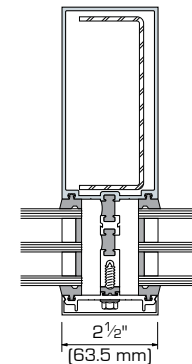
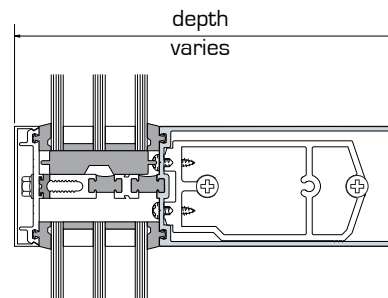
SERIES 3600 SUNSHADE

- 30" and 36" (762 and 964 mm) Outriggers
- Variety of Louvers and Fascia Profiles
- Mounting Brackets for Walls, Curtain Walls, and Storefronts



SERIES HP3253 CURTAIN WALL (Patent No. 7,975,442)

- Utilizes 2" (51 mm) Triple Pane Glazing
- Ultra High Thermal Performance
- Multiple System Depth
- Exterior Glazed
- Three Thermal Break Points
- Two-Tone Finish Options
- Stick Erected
- Vertically Butt Glazed Optional



SERIES	AIR (CFM)	WATER (PSF)	STRUCTURAL (PSF)	CRF	U-FACTOR	WIDTH	OVERALL DEPTH	GLAZING INFILLS		
2100	<.06	15	15	64*	.40*	2" (51)	4- ¹⁵ / ₁₆ ", 6- ¹ / ₁₆ ", 7- ¹ / ₁₆ " (125, 154, 179)	1" (25)		
2200					25	64*	.37	2- ¹ / ₂ " (63.5)	5- ¹ / ₄ ", 6", 6- ¹ / ₄ " (133, 152, 159)	1/4", 1" (6, 25)
3150							.35		7", 9- ¹ / ₄ ", 10" (178, 235, 254)	
3250		12	30	64	.58	2- ¹ / ₄ " (57.2)	6" (152)	1/4", 1" (6, 25)		
4250					.32		6", 7", 10" (152, 178, 254)			
4500					.35		8" (203)			
BW3250		N/A	N/A	N/A	.35	2- ¹ / ₂ " (63.5)	6- ¹ / ₄ ", 7" (157, 178)	1" (25)		
IW3250		20	44	66	.35		7/16", 1- ³ / ₁₆ " (11, 30)			
HP3253		15	60	N/A	.32 to .17 Using NFRC100		7", 8", 11" (178, 203, 279)	2" (51) Triple Panel		

* Contact a US Aluminum representative for information about results when using other glass types



The New U.S. Aluminum Facility in Los Angeles, California

U.S. Aluminum is a Manufacturer and Supplier of:

- Entrances and Storefronts
- Windows and Curtain Walls
- Hurricane Resistant Building Fronts
- Sun Control Systems
- Blast Mitigation Systems
- Ribbon Wall Systems
- Custom Extrusions

National Toll Free Phone
(800) 262-5151

National Toll Free Fax
(866) 262-3299

Online
usalum.com
crlaurence.com

U.S. Aluminum Serves You From 11 Locations in North America

Los Angeles, CA

2450 E. Vernon Ave.
Los Angeles, CA 90058-1802
Toll Free Phone: (800) 262-5151
Phone: (323) 268-4230
Fax: (866) 262-3299

Dallas, TX

4841 Lakawana St.
Dallas, TX 75247-6713
Phone: (214) 638-8722
Fax: (214) 638-3299

Houston, TX

5910 West by Northwest, Suite 300
Houston, TX 77040-4949
Phone: (713) 462-1766
Fax: (713) 462-1680

Waxahachie, TX (Dallas Area)

200 Singleton Dr.
Waxahachie, TX 75165-5094
Phone: (972) 937-9651
Fax: (972) 937-0405

Chicago, IL

6969 W. 73rd St.
Chicago, IL 60638-6092
Phone: (708) 458-9070
Fax: (708) 458-7364

St. Louis, MO

11621 Faingrove Industrial Bl.
Maryland Heights, MO 63043-3437
Phone: (314) 997-5112
Fax: (314) 997-7504

Langley, BC (Vancouver Area)

5377 272nd St.
Langley, BC V4W 1P1 Canada
Phone: (604) 857-7766
Fax: (604) 857-1377

Atlanta, GA

5530 Westpark Drive SW
Atlanta, GA 30336-2645
Phone: (404) 344-3468
Fax: (404) 344-3412

Rock Hill, SC (Charlotte, NC Area)

720 Celriver Rd.
Rock Hill, SC 29730-8937
Phone: (803) 366-8326
Fax: (803) 366-5776

Davenport, FL (Orlando Area)

45150 US Highway 27 North, Suite D
Davenport, FL 33897-4512
Phone: (863) 424-4700
Fax: (863) 424-4646

Miami, FL (Formerly Delta Doors)

7500 N.W. 69th Ave.
Miami, FL 33166-2543
Phone: (305) 888-0077
Fax: (305) 884-3111



AVDB4073

On the cover
Puerto Rico Convention Center
San Juan, Puerto Rico