

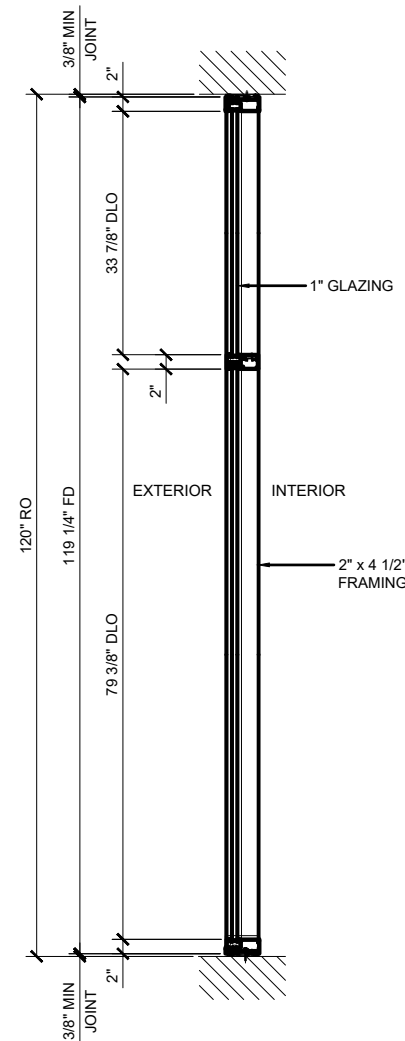
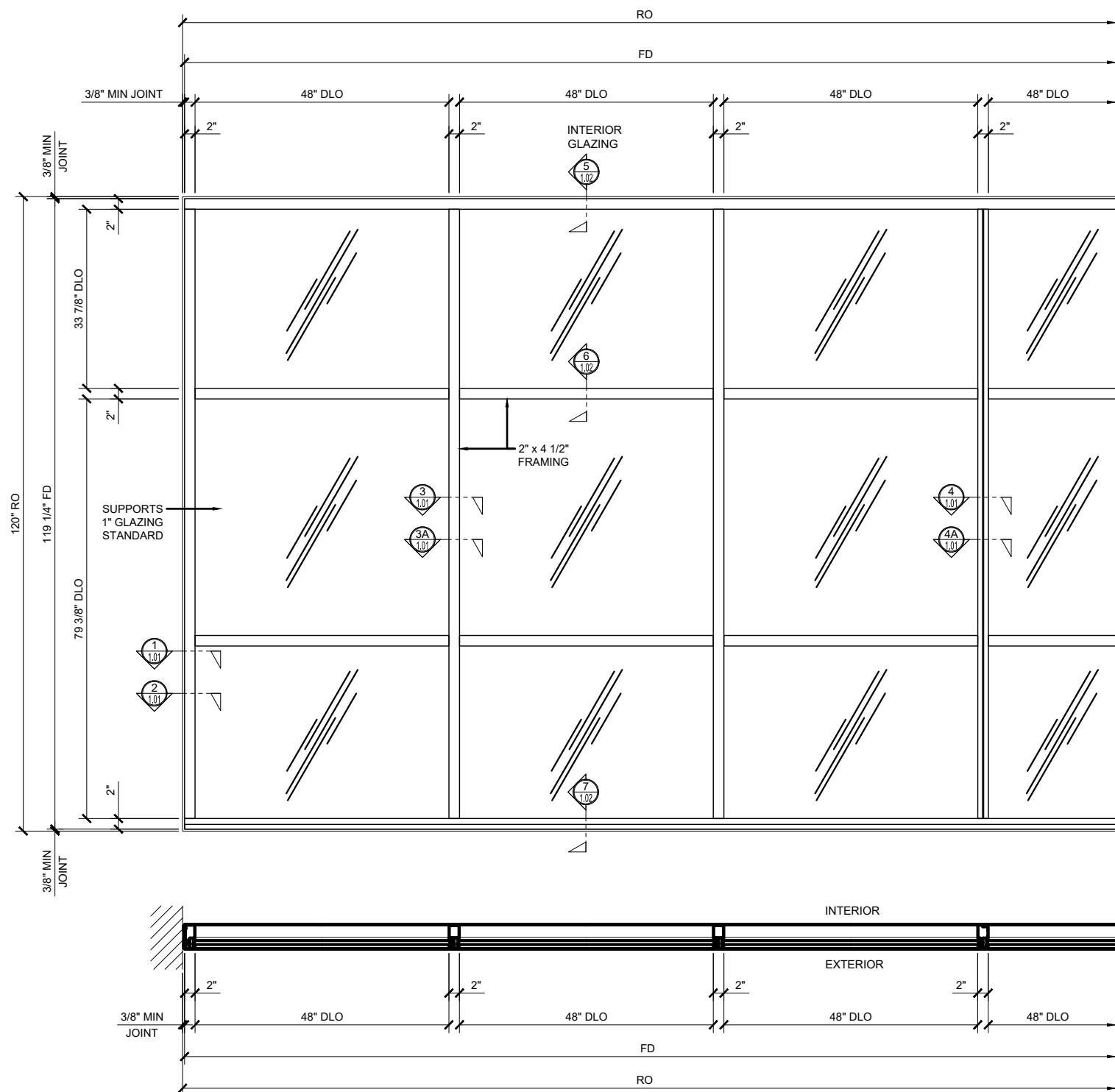
# CRL US ALUMINUM - OST451 SERIES THERMAL STACKING WINDOW WALLS (2"X4-1/2" SYSTEM FOR 1" GLASS) INTERIOR GLAZING

## OST451 & OST451SG SERIES SPECIFICATIONS

Fabrication and installation labor costs have always been a decisive factor in selecting framing systems for storefront projects. U.S. Aluminum offers cost efficient versatile Offset Glazed Systems with clean lines and superb performance. Series OST451 & OST451SG were designed for labor saving stacking type installations, and may be interior or exterior glazed. A top load E.P.D.M. gasket is used to position and weatherseal the glass in the aluminum pocket. Offset Glazed Systems are compatible with most U.S. Aluminum entrance doors.

- 2" x 4 1/2" frame
- 1" Glazing infill
- Full range of accessory components
- Available in an array of architectural coatings and anodized finishes
- Anchor clips assembly
- Interior or Exterior Glazed

**GLASS SIZING NOTE:**  
REFERENCE U.S. ALUMINUM CATALOGS & WEB SITE'S LOAD CHARTS FOR SIZING GUIDELINES.



### STANDARD ABBREVIATIONS

- RO ROUGH OPENING
- FD FRAME DIMENSION
- DLO DAYLIGHT OPENING
- DO DOOR OPENING
- DD DOOR DIMENSION
- DP DIMENSION POINT
- SMC SURFACE MOUNTED CLOSER
- OHCC OVERHEAD CONCEALED CLOSER

Description:  
CRL US ALUMINUM  
OST451 SERIES  
THERMAL STACKING  
WINDOWS FOR 1" GLASS

Drawn By: JGM

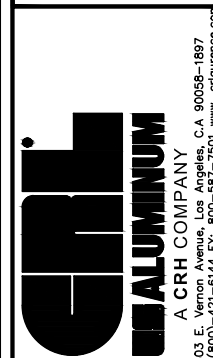
Date: 04/30/19

Scale: 1"=1'-0"

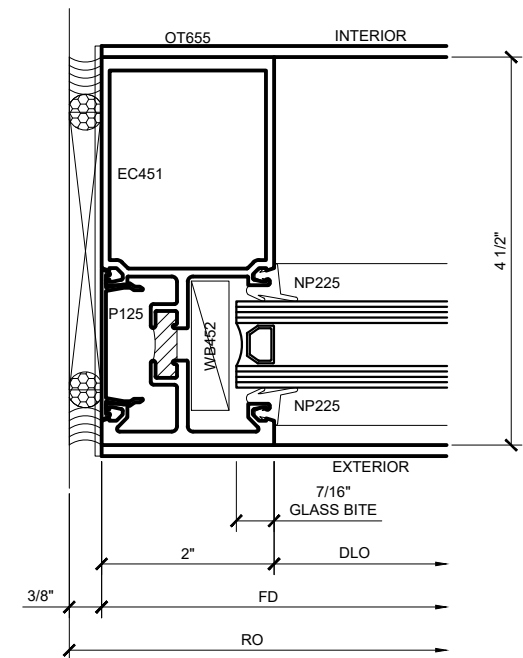
File Name:

OST451\_Therm\_Stacking\_Wndw.dwg

Sheet

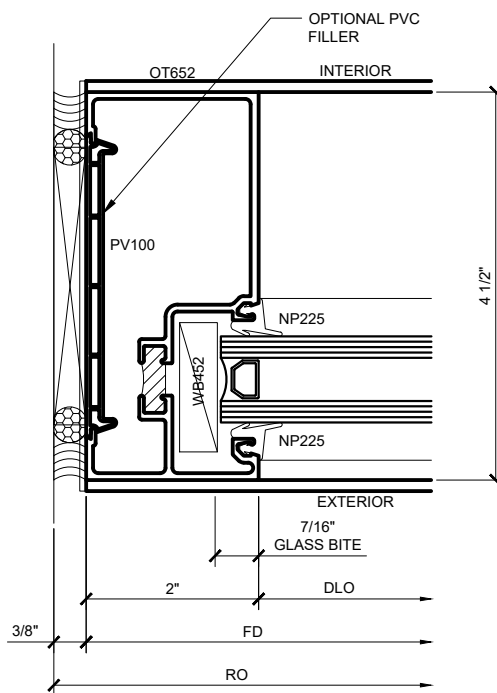


Revisions By:



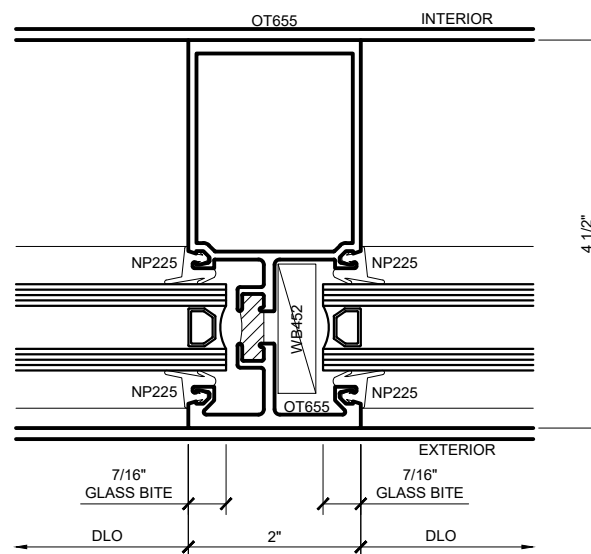
① SECTION DETAIL AT OPTIONAL JAMB

ARCH REF: N/A 1'-0"=1'-0"



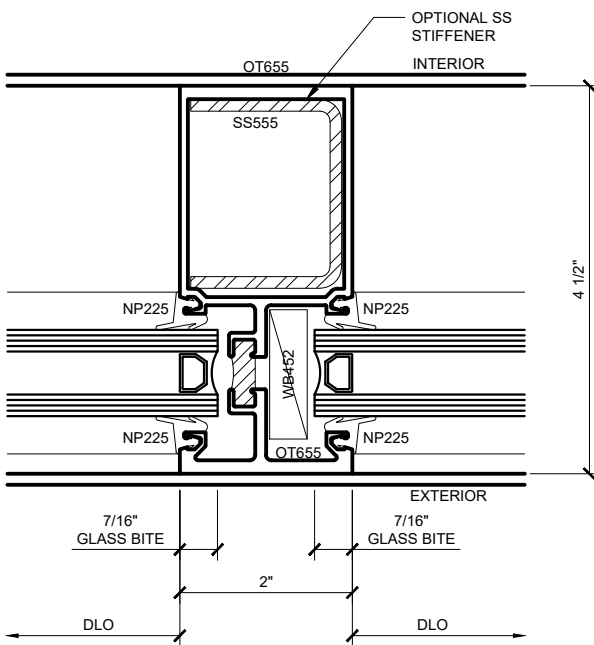
② SECTION DETAIL AT JAMB

ARCH REF: N/A 1'-0"=1'-0"



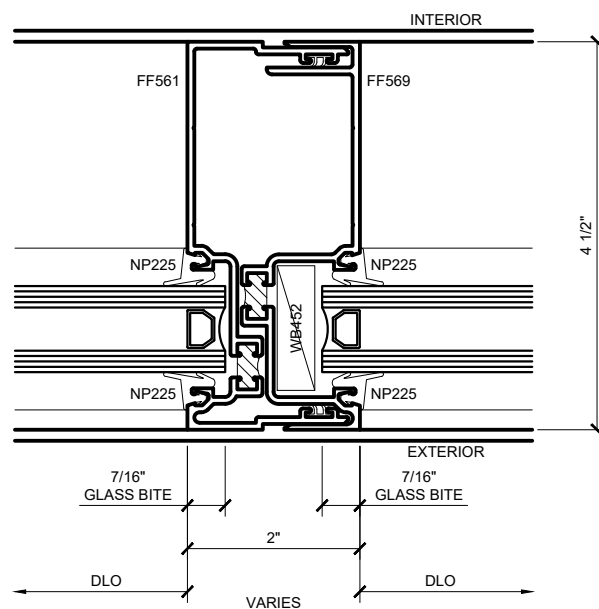
③ SECTION DETAIL AT VERTICAL

ARCH REF: N/A 1'-0"=1'-0"



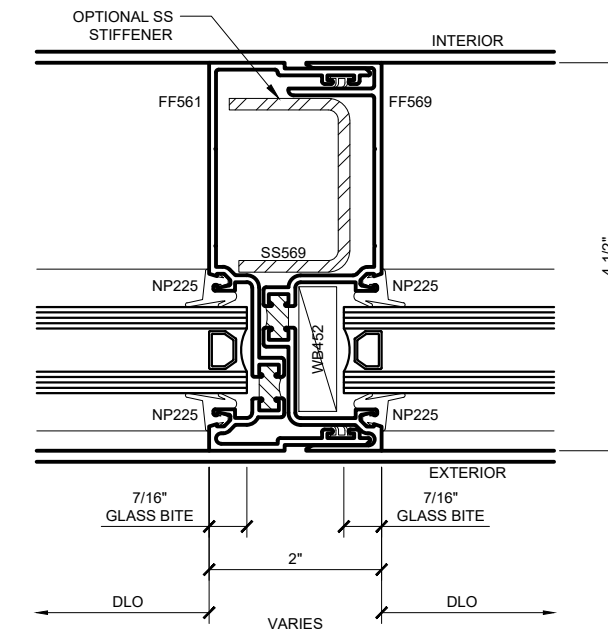
③A SECTION DETAIL AT VERTICAL (OPTIONAL)

ARCH REF: N/A 1'-0"=1'-0"



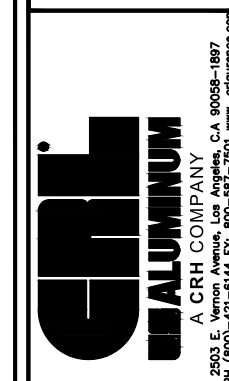
④ SECTION DETAIL AT EXPANSION MULLION

ARCH REF: N/A 1'-0"=1'-0"



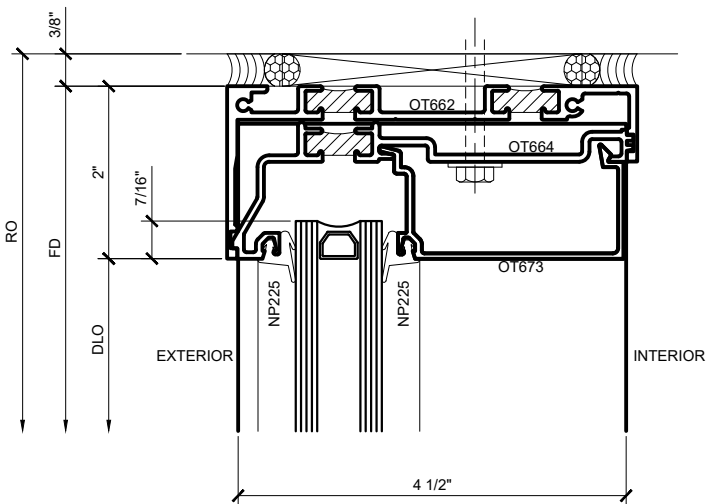
④A SECTION DETAIL AT EXPANSION MULLION (OPTIONAL)

ARCH REF: N/A 1'-0"=1'-0"

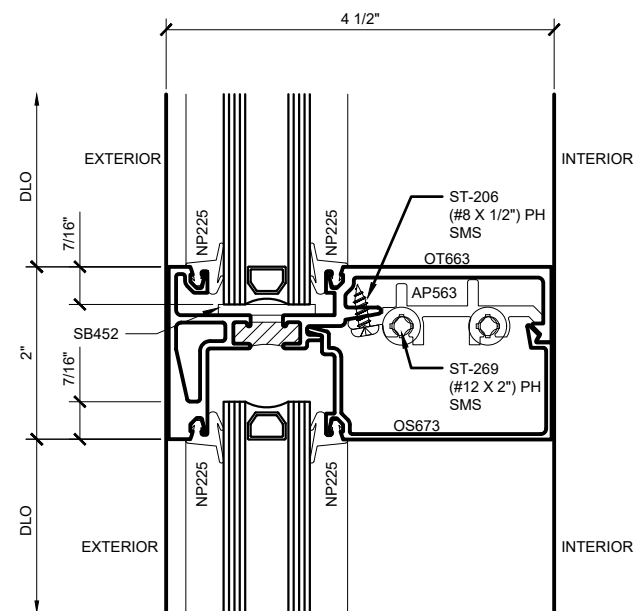


Description:  
 CRL US ALUMINUM  
 OST451 SERIES  
 THERMAL STACKING  
 WINDOWS FOR 1" GLASS

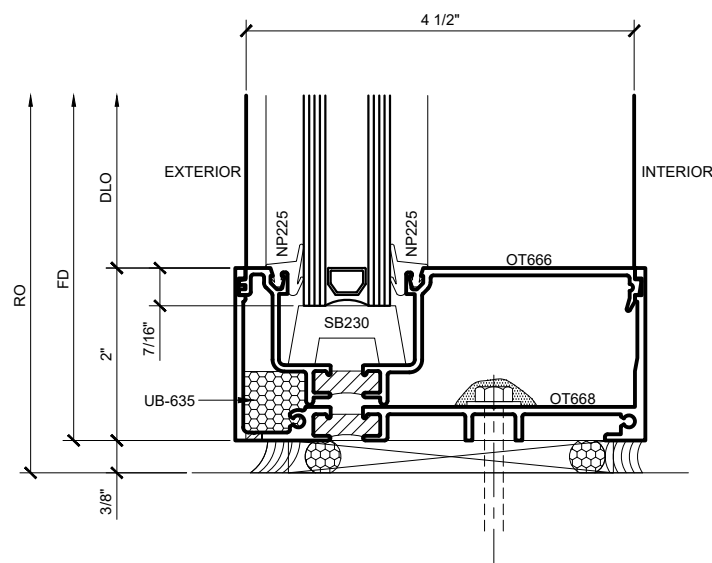
Drawn By: JGM  
 Date: 04/30/19  
 Scale: 1"=1'-0"  
 File Name:  
 OST451\_Therm\_Stacking\_Wndw.dwg  
 Sheet



⑤ SECTION DETAIL AT HEAD  
 ARCH REF: N/A INTERIOR GLAZING 1'-0"=1'-0"



⑥ SECTION DETAIL AT INTERMEDIATE HORIZONTAL  
 ARCH REF: N/A INTERIOR GLAZING 1'-0"=1'-0"



⑦ SECTION DETAIL AT SILL  
 ARCH REF: N/A INTERIOR GLAZING 1'-0"=1'-0"

Revisions By:

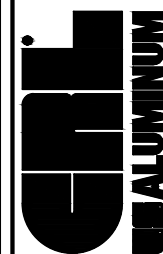


A CRH COMPANY  
 2503 E. Vernon Avenue, Los Angeles, CA 90058-1887  
 PH (800)-421-6144 FX: 800-587-7501 www.crlaluminum.com

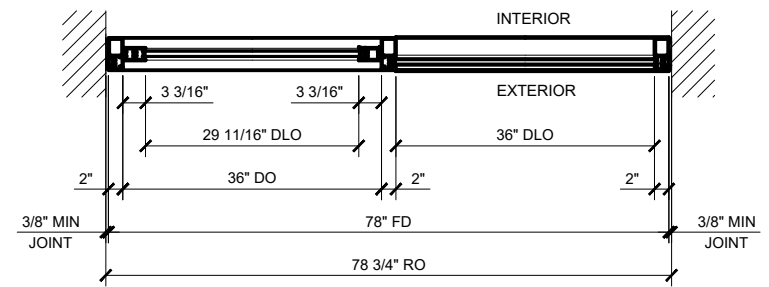
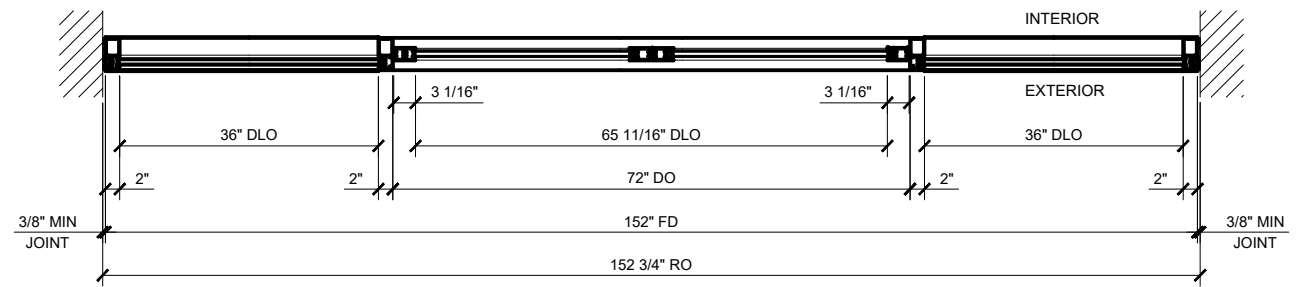
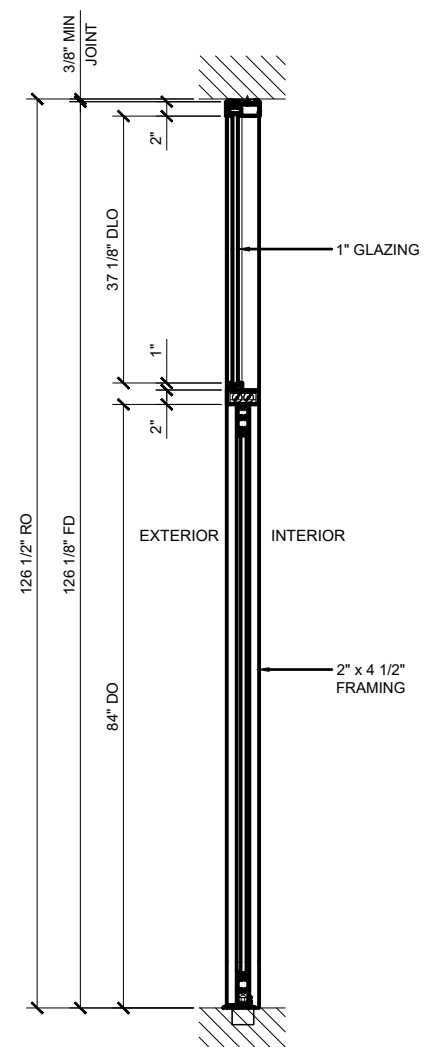
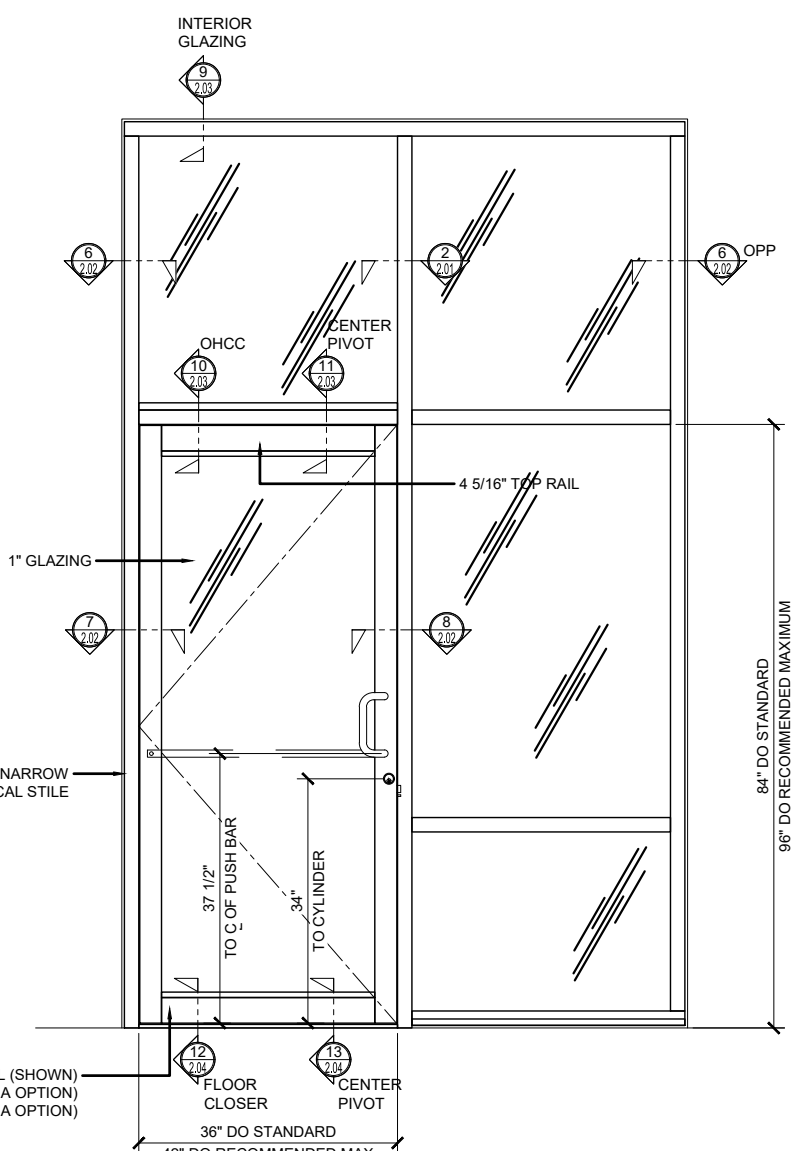
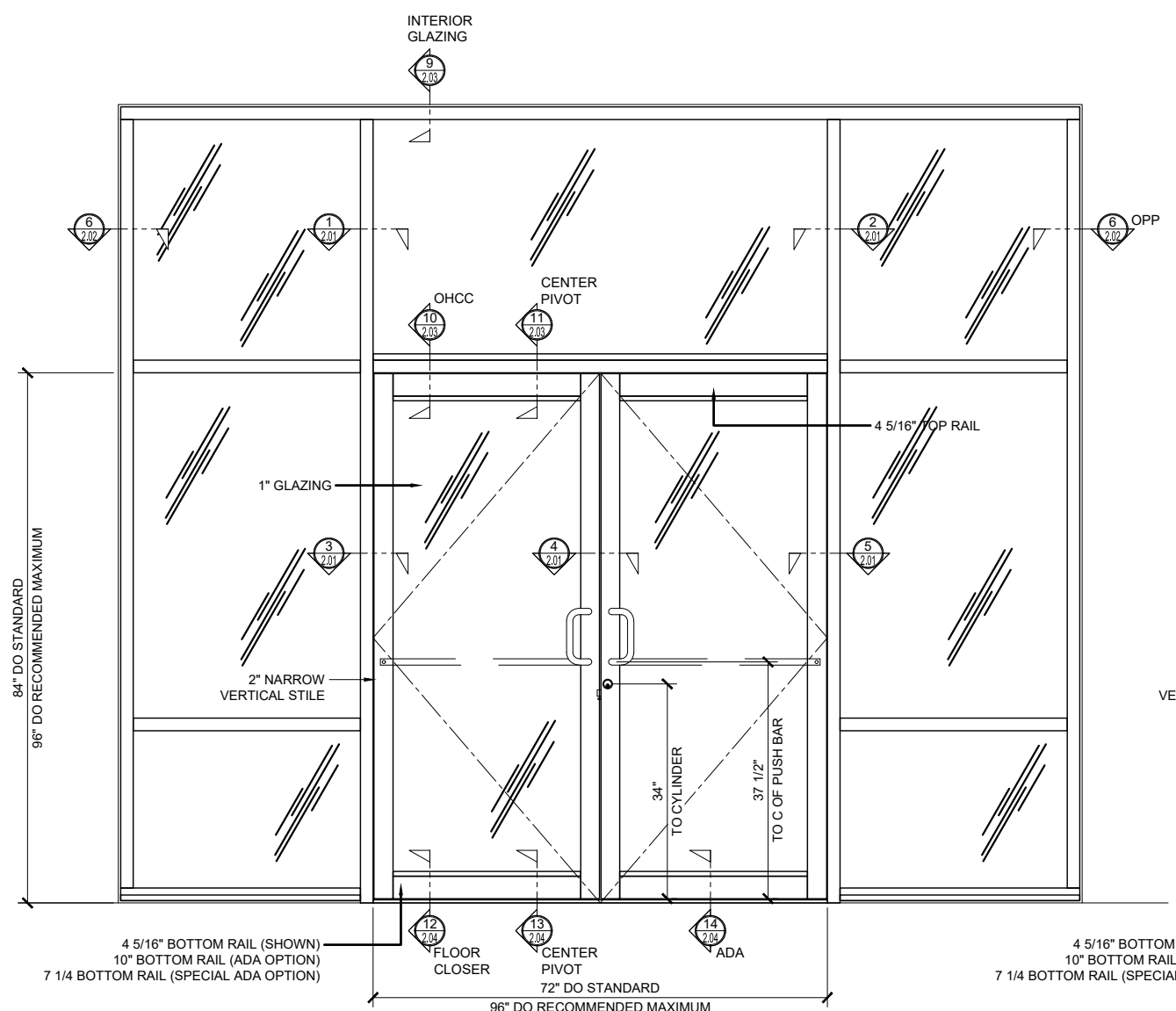
Description:  
 CRL US ALUMINUM  
 OST451 SERIES  
 THERMAL STACKING  
 WINDOWS FOR 1" GLASS

Drawn By: TGM  
 Date: 04/30/19  
 Scale: 1"=1'-0"  
 File Name:  
 OST451\_Therm\_Stacking\_Wndw.dwg  
 Sheet

# WINDOW WALLS - OST451 SERIES (2"X4-1/2" SYSTEM FOR 1" GLASS) INTERIOR GLAZING WITH CENTER HUNG DOORS



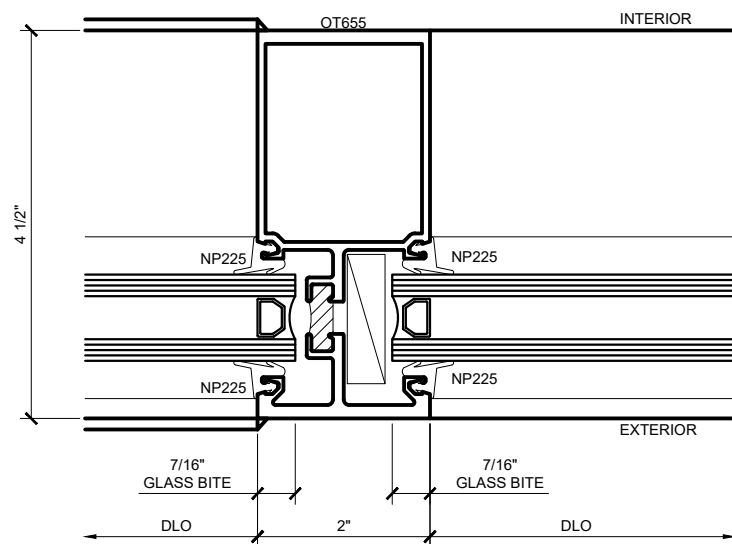
A CRH COMPANY  
2503 E. Vernon Avenue, Los Angeles, CA 90058-1887  
PH (800)-421-6144 FX: 800-587-7501 www.crlaurence.com



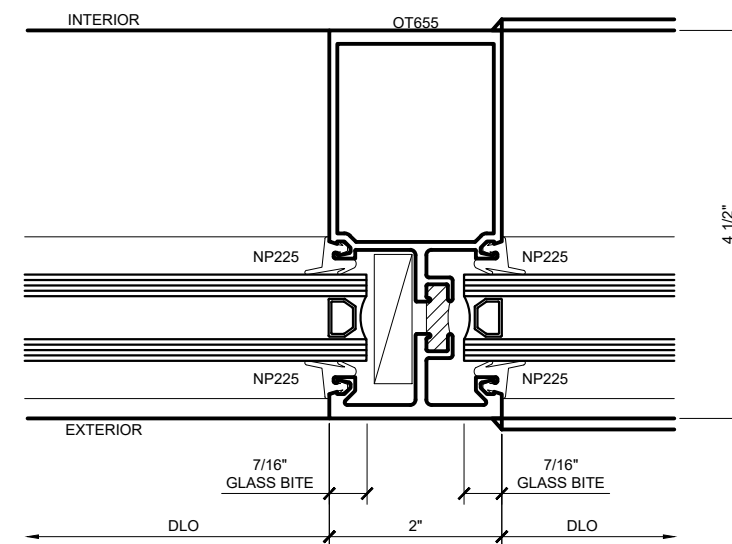
STANDARD ABBREVIATIONS	
RO	ROUGH OPENING
FD	FRAME DIMENSION
DLO	DAYLIGHT OPENING
DO	DOOR OPENING
DD	DOOR DIMENSION
DP	DIMENSION POINT
SMC	SURFACE MOUNTED CLOSER
OHCC	OVERHEAD CONCEALED CLOSER

Description:  
CRL US ALUMINUM  
OST451 SERIES  
THERMAL STACKING  
WINDOWS FOR 1" GLASS

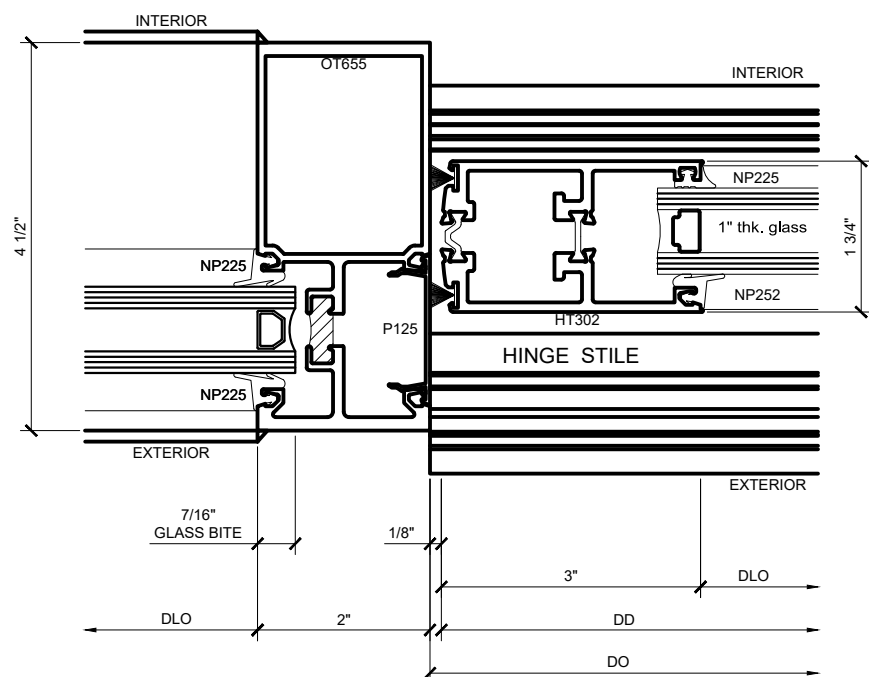
Drawn By: JGM  
Date: 04/30/19  
Scale: 1"=1'-0"  
File Name: OST451\_Therm\_Stacking\_Wndw.dwg  
Sheet



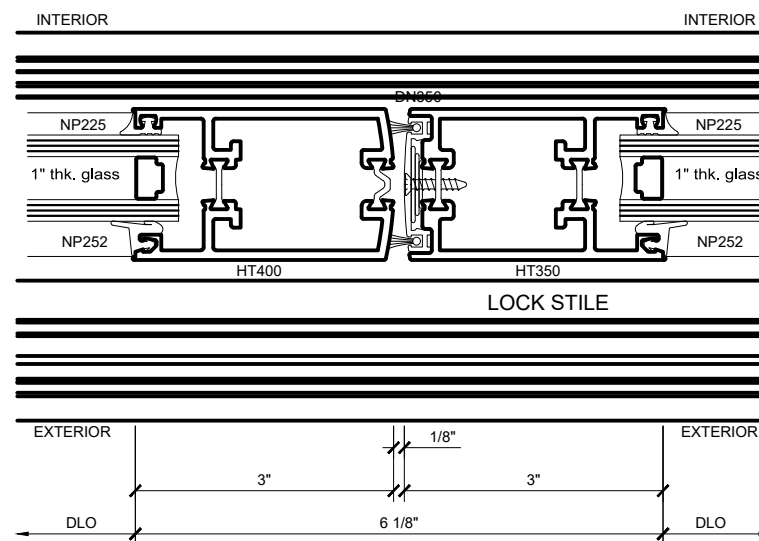
① SECTION DETAIL AT VERTICAL  
ARCH REF: N/A INTERIOR GLAZING 1'-0"=1'-0"



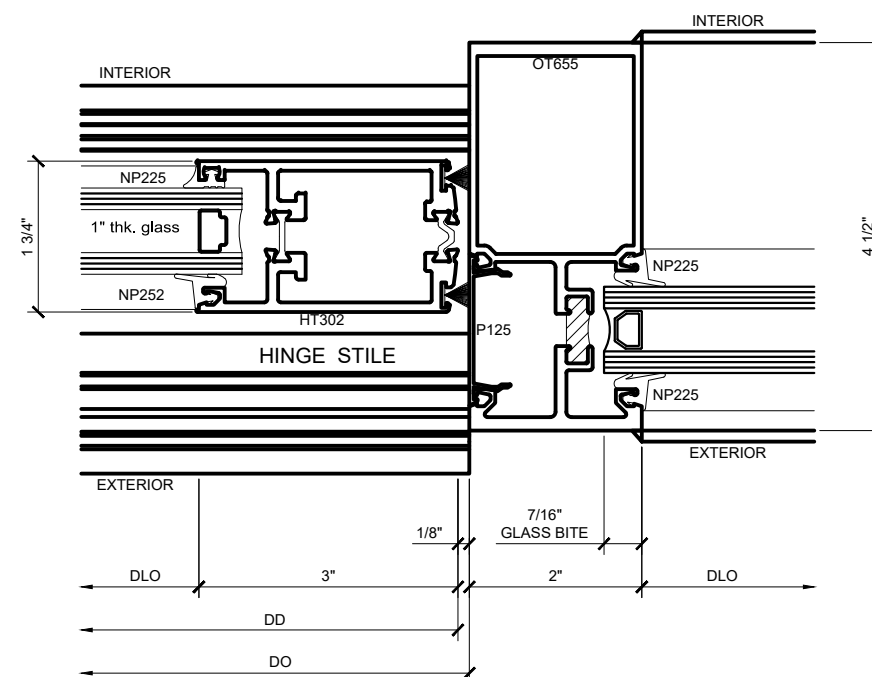
② SECTION DETAIL AT VERTICAL  
ARCH REF: N/A INTERIOR GLAZING 1'-0"=1'-0"



③ SECTION DETAIL AT DOOR JAMB  
ARCH REF: N/A 1'-0"=1'-0"

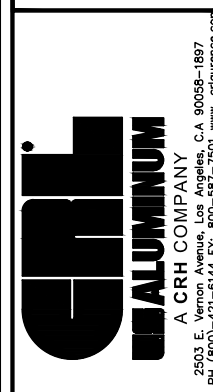


④ SECTION DETAIL AT MEETING STILES  
ARCH REF: N/A 1'-0"=1'-0"



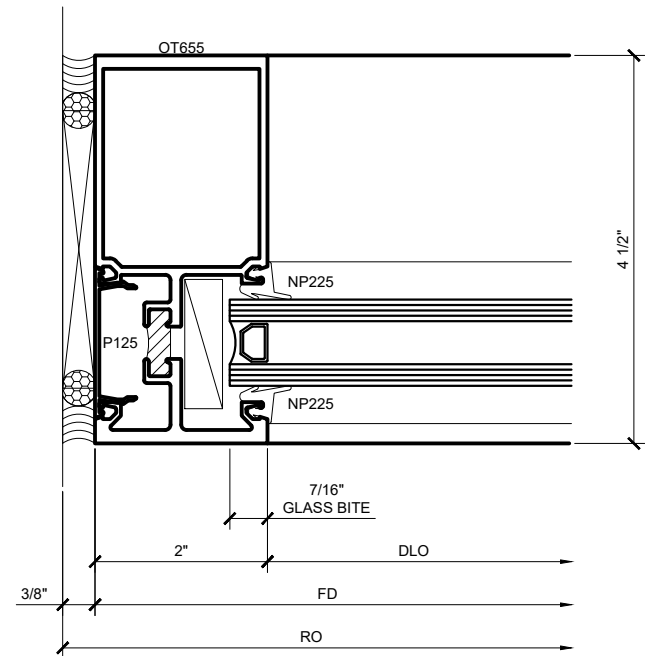
⑤ SECTION DETAIL AT DOOR JAMB  
ARCH REF: N/A 1'-0"=1'-0"

Revisions By:

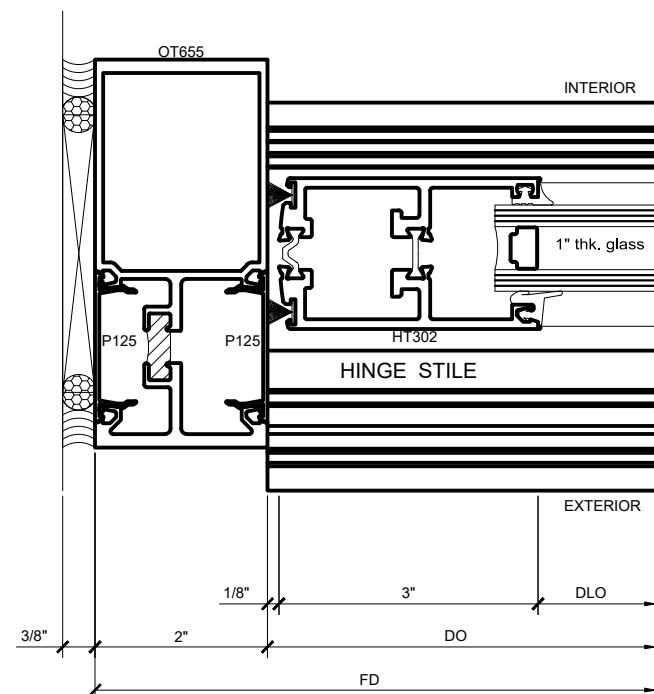


Description:  
CRL US ALUMINUM  
OST451 SERIES  
THERMAL STACKING  
WINDOWS FOR 1" GLASS

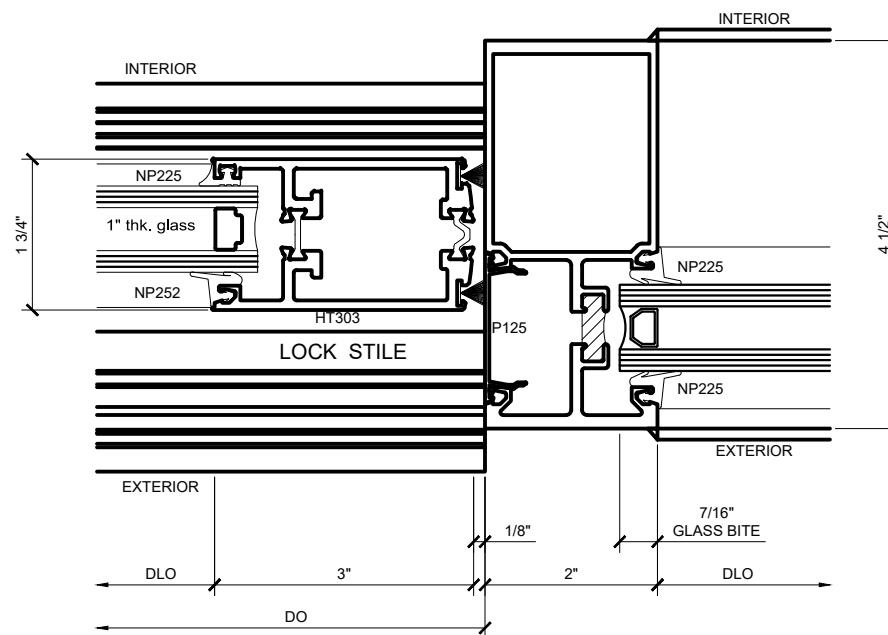
Drawn By: JGM  
Date: 04/30/19  
Scale: 1"=1'-0"  
File Name:  
OST451\_Therm\_Stacking\_Wndw.dwg  
Sheet



⑥ SECTION DETAIL AT TRANSOM  
ARCH REF: N/A INTERIOR GLAZING 1'-0"=1'-0"



⑦ SECTION DETAIL AT DOOR JAMB  
ARCH REF: N/A 1'-0"=1'-0"



⑧ SECTION DETAIL AT JAMB  
ARCH REF: N/A 1'-0"=1'-0"

Revisions By:



A CRL COMPANY  
2503 E. Vernon Avenue, Los Angeles, CA 90058-1887  
PH (800)-421-6144 FX: 800-587-7501 www.crlaluminum.com

Description:  
CRL US ALUMINUM  
OST451 SERIES  
THERMAL STACKING  
WINDOWS FOR 1" GLASS

Drawn By: JGM

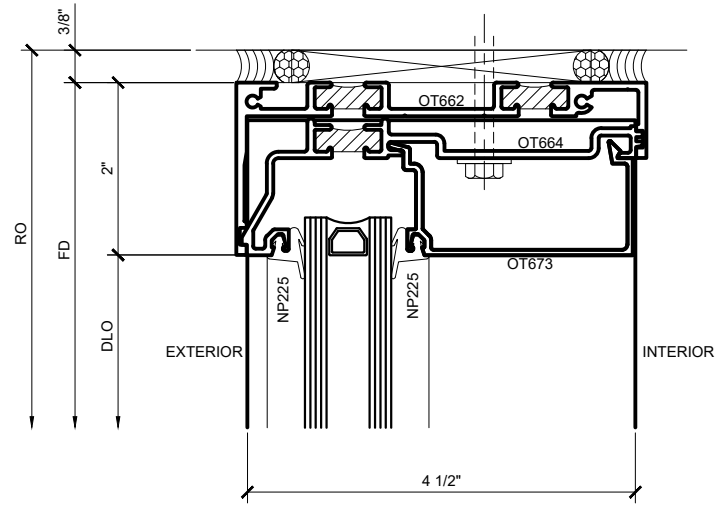
Date: 04/30/19

Scale: 1"=1'-0"

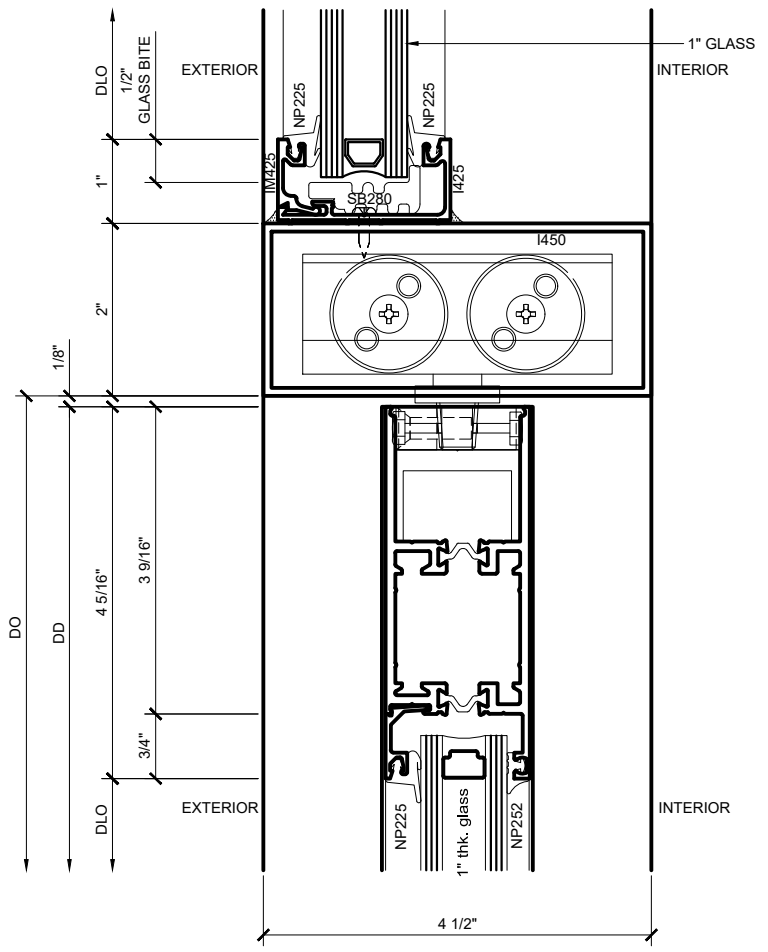
File Name:

OST451\_Therm\_Stacking\_Wndw.dwg

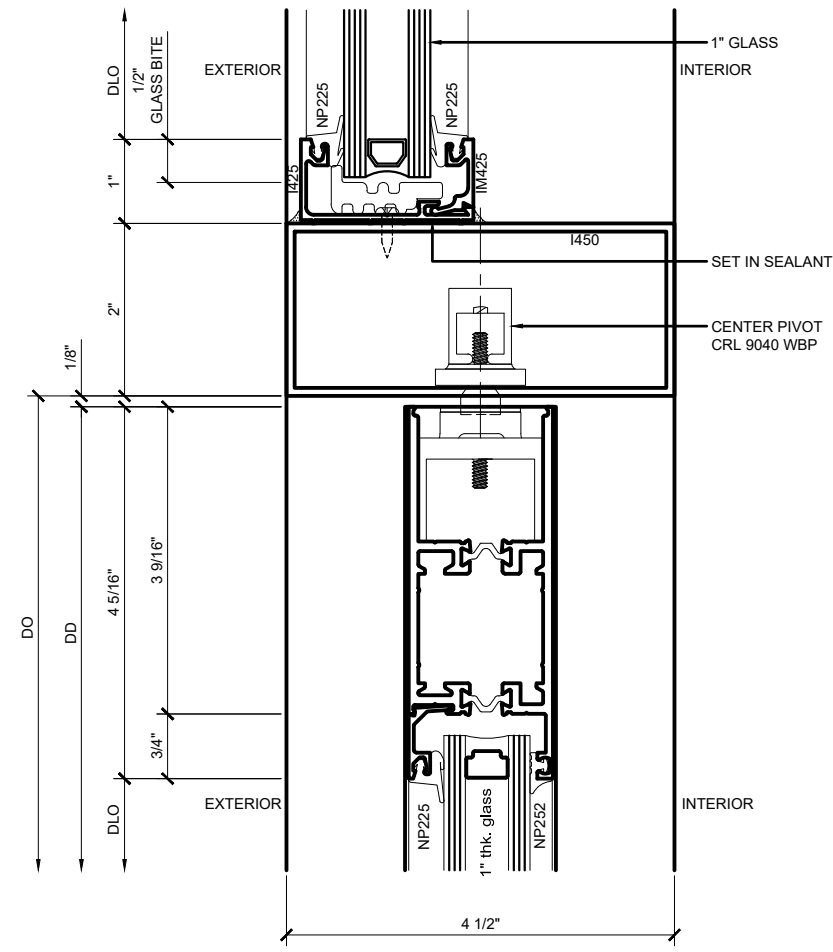
Sheet



**9** SECTION DETAIL AT HEAD  
 ARCH REF: N/A INTERIOR GLAZING 1'-0"=1'-0"



**10** SECTION DETAIL AT DOOR HEAD WITH OHCC  
 ARCH REF: N/A 1'-0"=1'-0"



**11** SECTION DETAIL AT DOOR HEAD  
 ARCH REF: N/A 1'-0"=1'-0"

Revisions By:

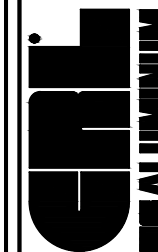


A CRH COMPANY  
 2503 E. Vernon Avenue, Los Angeles, CA 90058-1887  
 PH (800)-421-6144 FX: 800-587-7501 www.crlaluminum.com

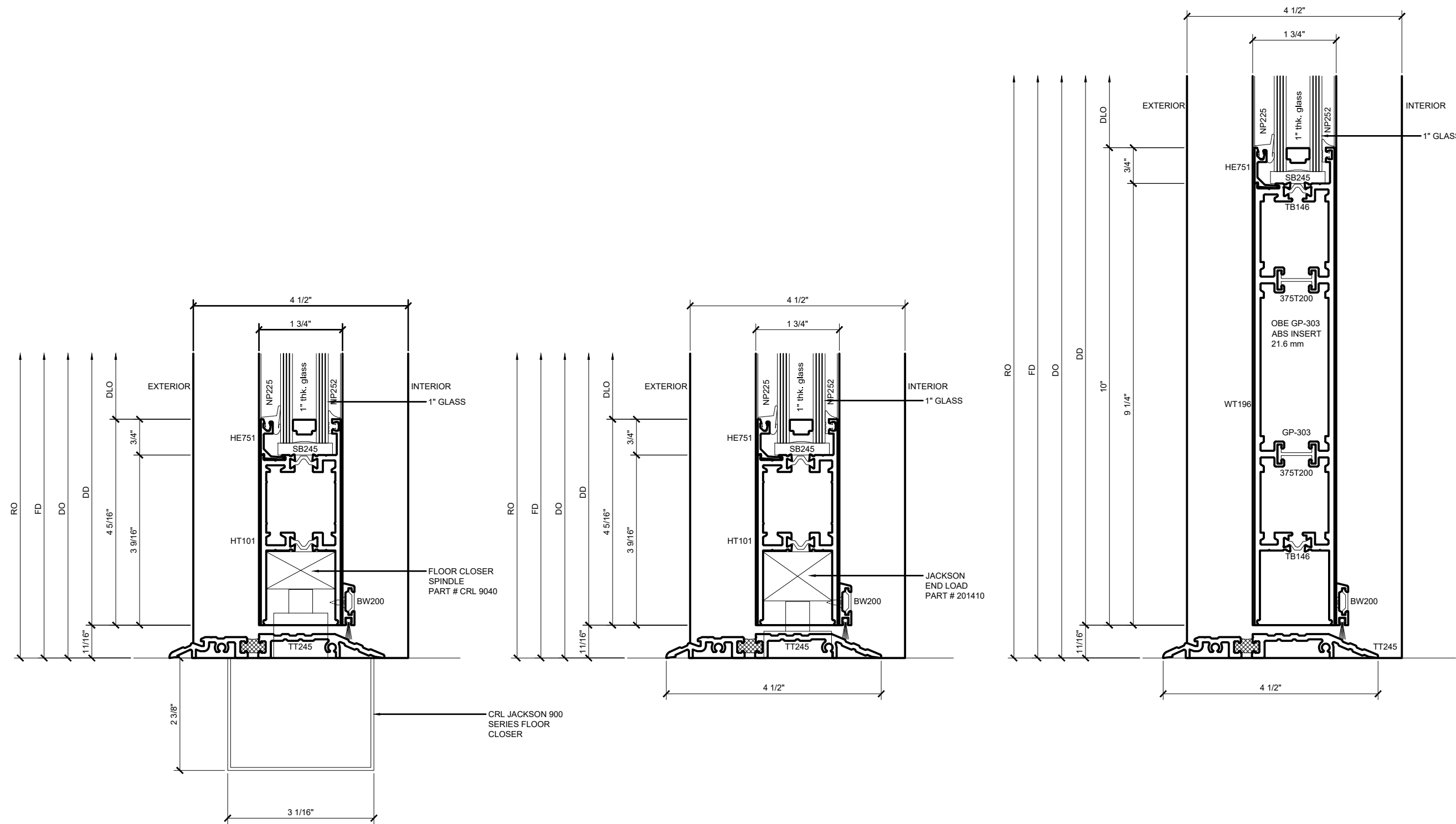
Description:  
 CRL US ALUMINUM  
 OST451 SERIES  
 THERMAL STACKING  
 WINDOWS FOR 1" GLASS

Drawn By: TGM  
 Date: 04/30/19  
 Scale: 1"=1'-0"  
 File Name:  
 OST451\_Therm\_Stacking\_Wndw.dwg  
 Sheet

Revisions By:



A CRH COMPANY  
 2503 E. Vernon Avenue, Los Angeles, CA 90058-1887  
 PH (800)-421-6144 FX: 800-587-7501 www.crlaluminum.com



**12** SECTION DETAIL AT DOOR SILL  
 ARCH REF: N/A 1'-0"=1'-0"

**13** SECTION DETAIL AT DOOR SILL  
 ARCH REF: N/A 1'-0"=1'-0"

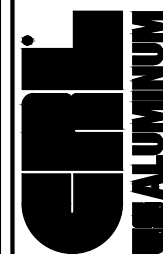
**14** SECTION DETAIL AT ADA DOOR SILL  
 ARCH REF: N/A 1'-0"=1'-0"

Description:  
 CRL US ALUMINUM  
 OST451 SERIES  
 THERMAL STAKING  
 WINDOWS FOR 1" GLASS

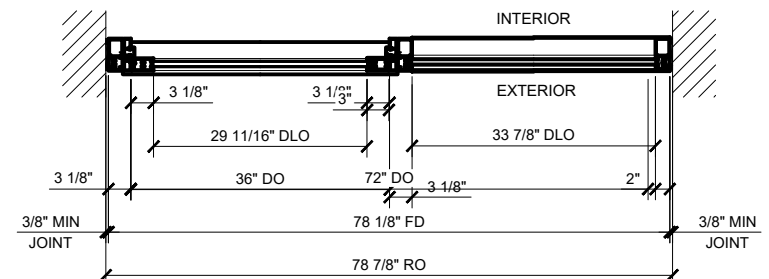
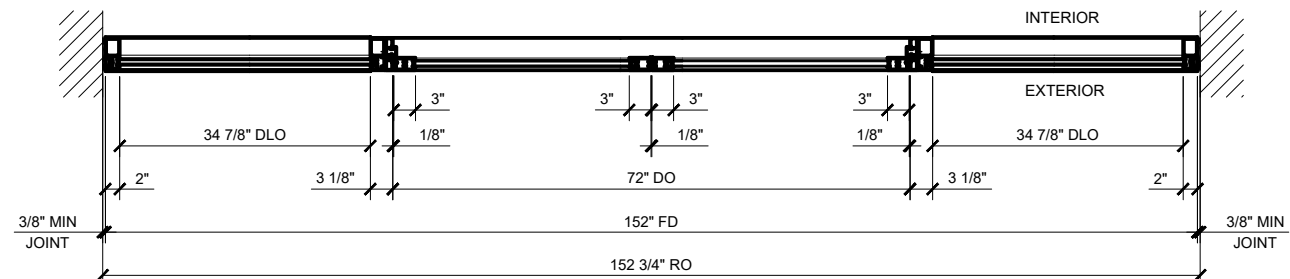
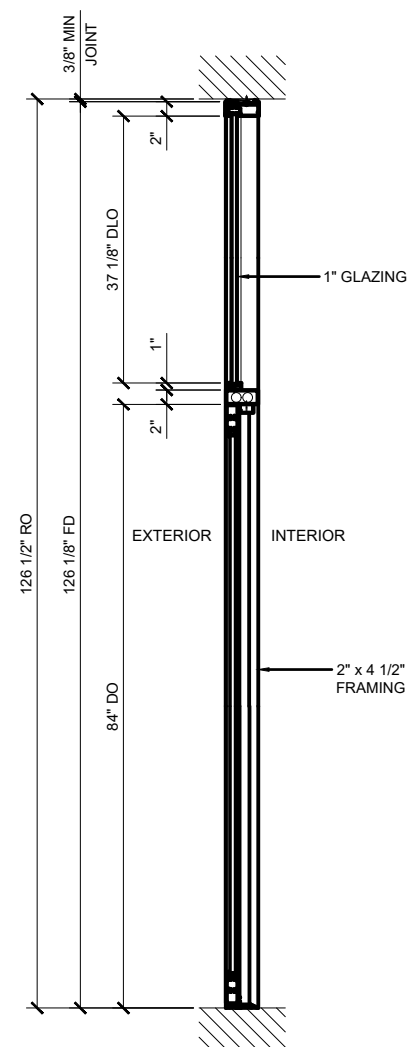
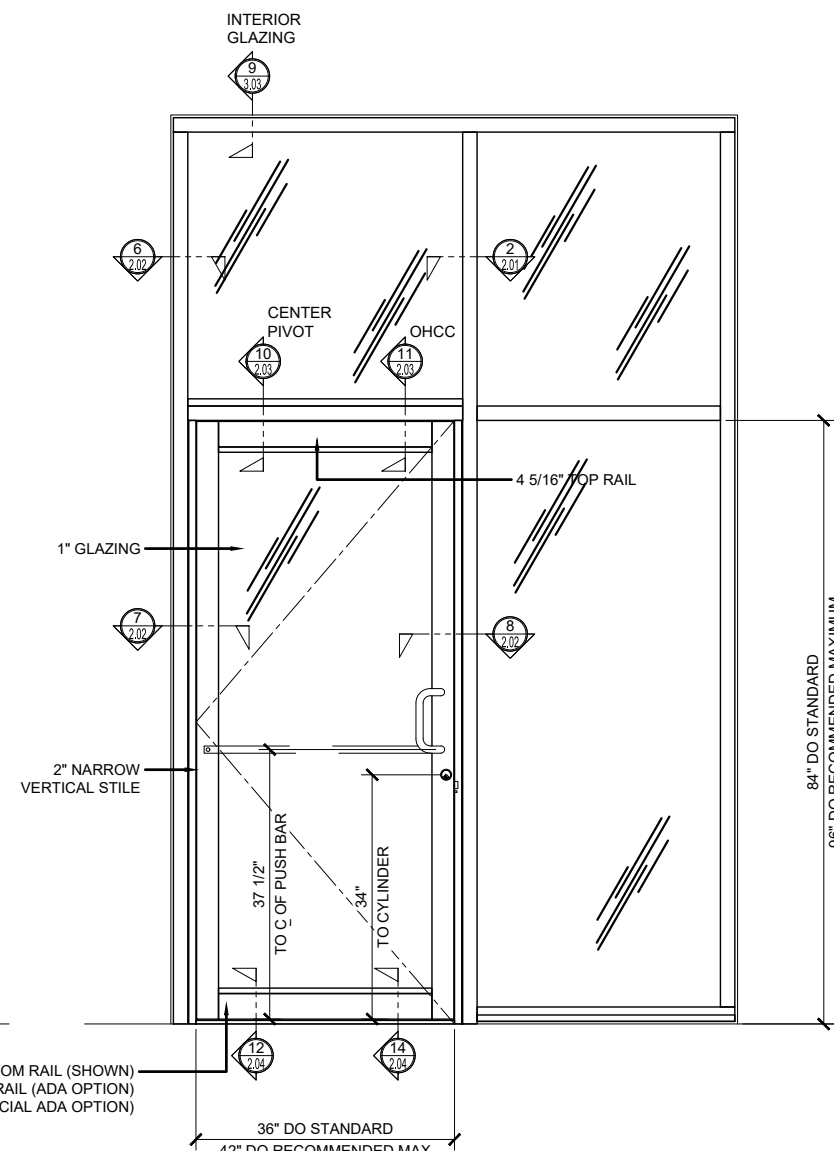
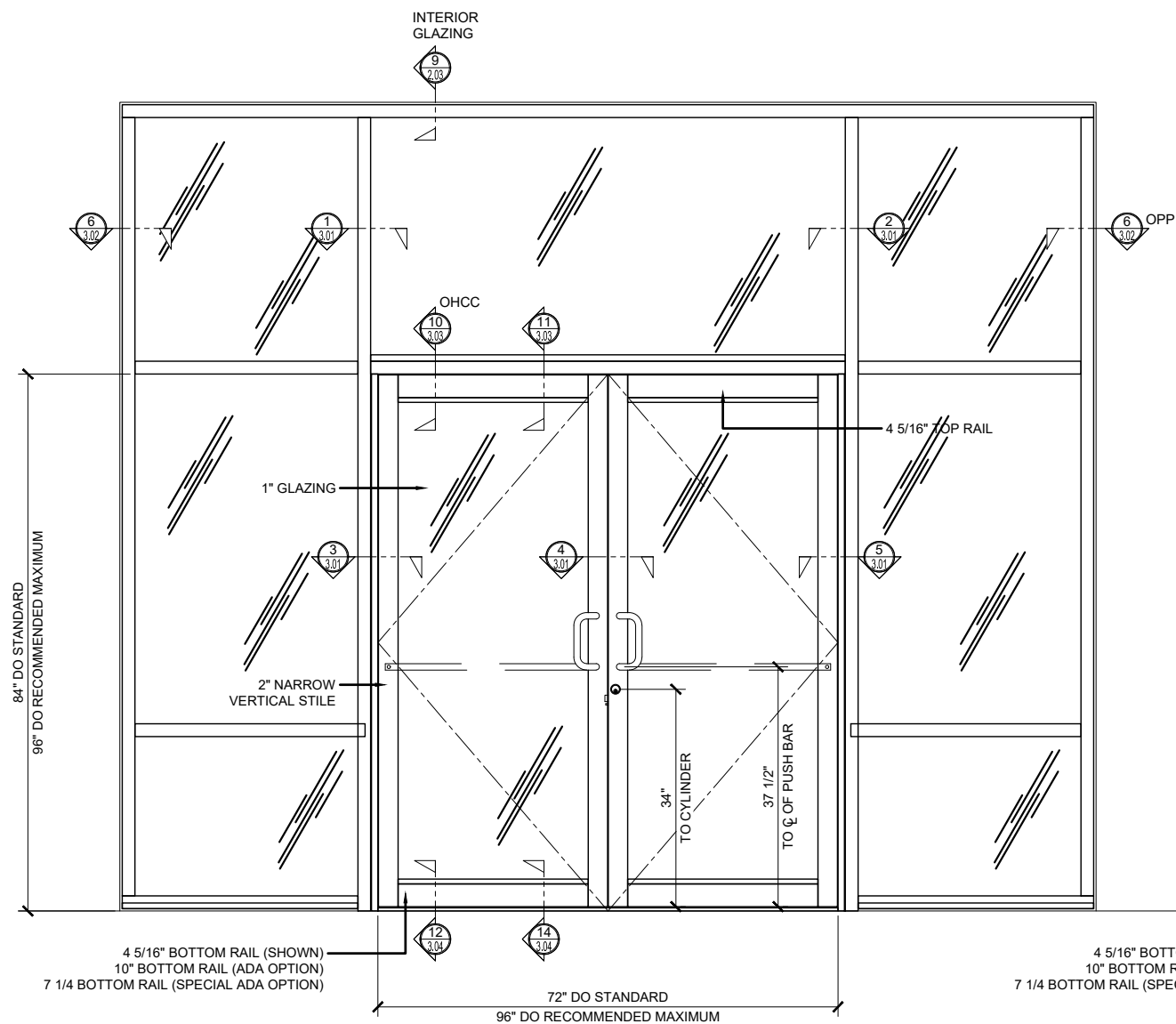
Drawn By: TGM  
 Date: 04/30/19  
 Scale: 1"=1'-0"  
 File Name:  
 OST451\_Therm\_Stacking\_Wndw.dwg  
 Sheet



# WINDOW WALLS - OST451 SERIES (2"X4-1/2" SYSTEM FOR 1" GLASS) INTERIOR GLAZING WITH OFFSET HUNG DOORS



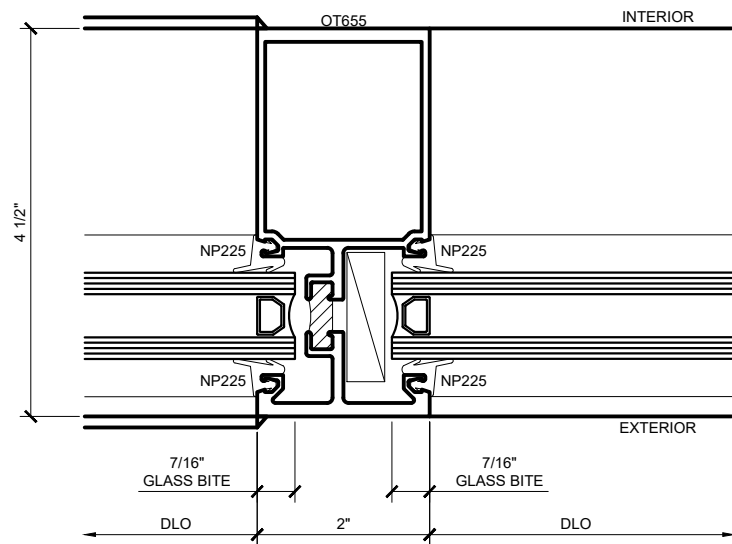
A CRH COMPANY  
2503 E. Vernon Avenue, Los Angeles, CA 90058-1887  
PH (800)-421-6144 FX: 800-587-7501 www.crlaurence.com



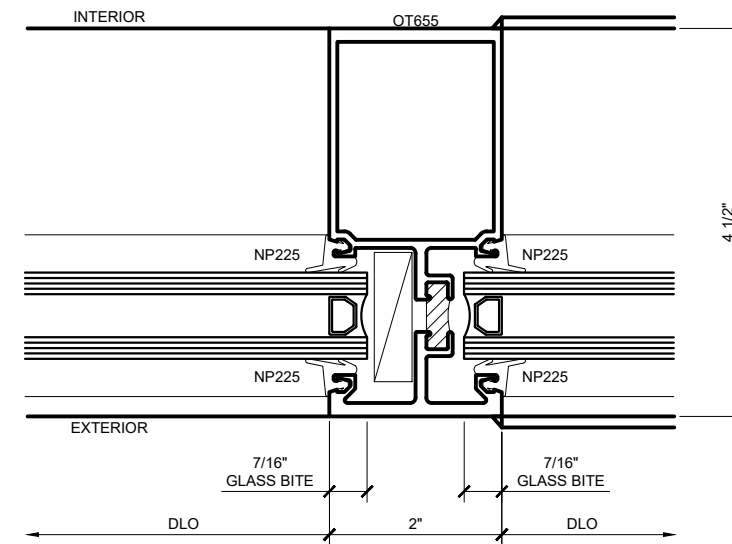
STANDARD ABBREVIATIONS	
RO	ROUGH OPENING
FD	FRAME DIMENSION
DLO	DAYLIGHT OPENING
DO	DOOR OPENING
DD	DOOR DIMENSION
DP	DIMENSION POINT
SMC	SURFACE MOUNTED CLOSER
OHCC	OVERHEAD CONCEALED CLOSER

Description:  
CRL US ALUMINUM  
OST451 SERIES  
THERMAL STACKING  
WINDOWS FOR 1" GLASS

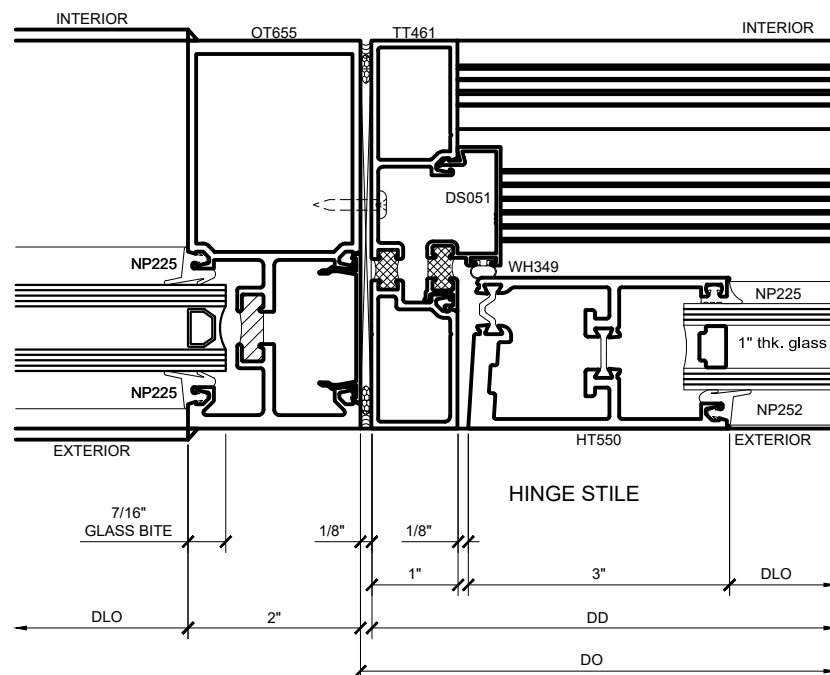
Drawn By: JGM  
Date: 04/30/19  
Scale: 1"=1'-0"  
File Name: OST451\_Therm\_Stacking\_Wndw.dwg  
Sheet



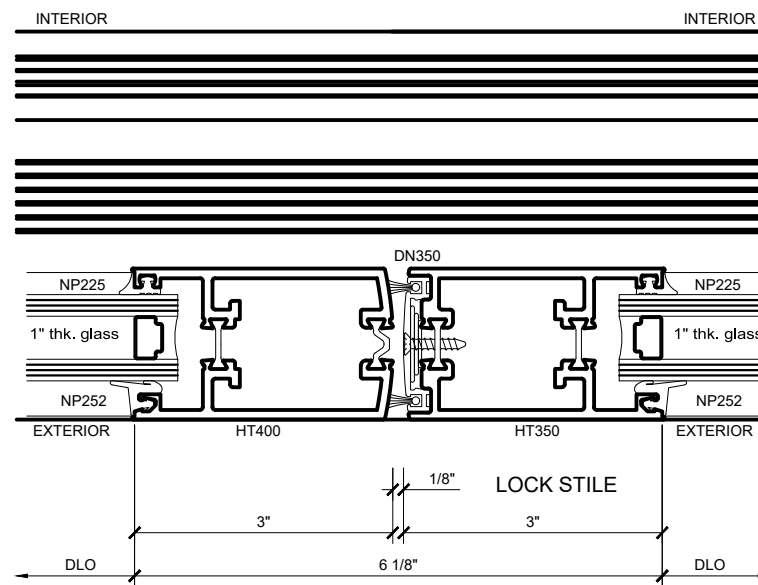
① SECTION DETAIL AT VERTICAL  
 ARCH REF: N/A EXTERIOR GLAZING 1'-0"=1'-0"



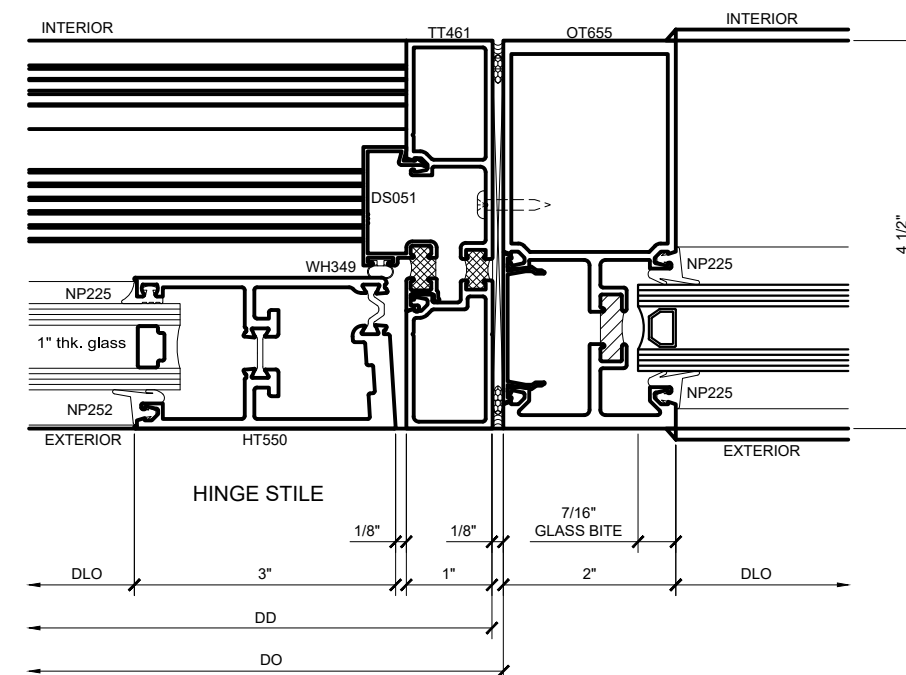
② SECTION DETAIL AT VERTICAL  
 ARCH REF: N/A EXTERIOR GLAZING 1'-0"=1'-0"



③ SECTION DETAIL AT DOOR JAMB  
 ARCH REF: N/A 1'-0"=1'-0"

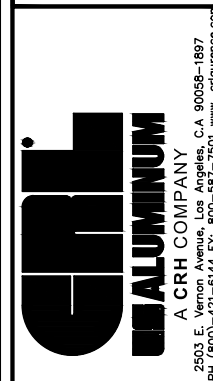


④ SECTION DETAIL AT MEETING STILES  
 ARCH REF: N/A 1'-0"=1'-0"



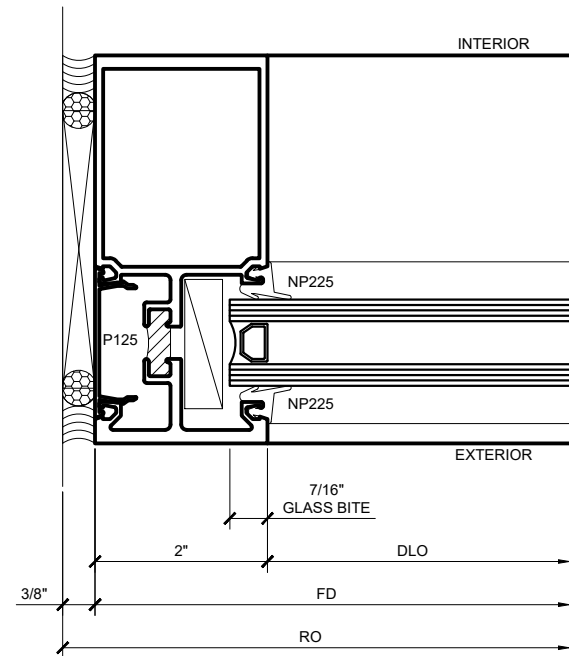
⑤ SECTION DETAIL AT DOOR JAMB  
 ARCH REF: N/A 1'-0"=1'-0"

Revisions By:

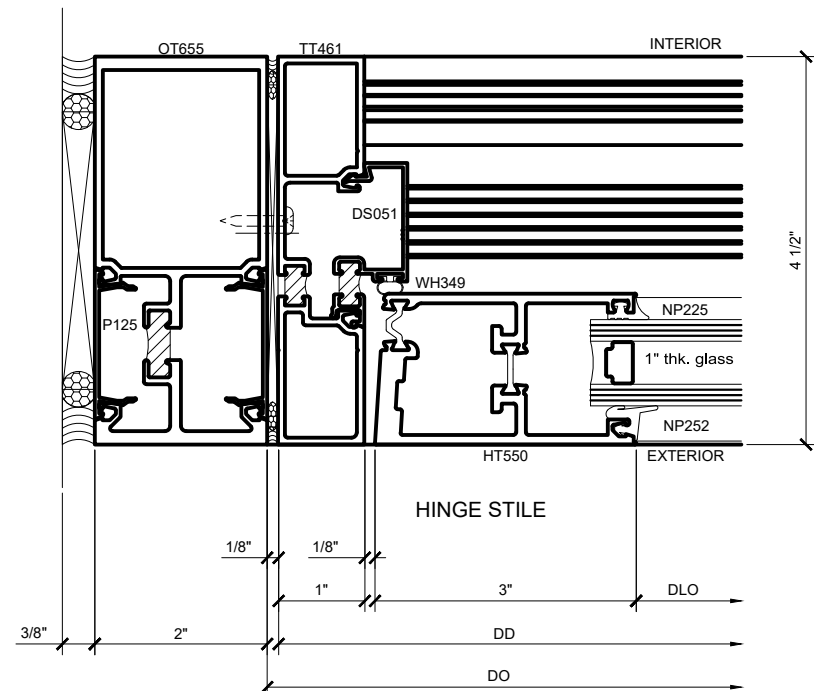


Description:  
 CRH US ALUMINUM  
 OST451 SERIES  
 THERMAL STACKING  
 WINDOWS FOR 1" GLASS

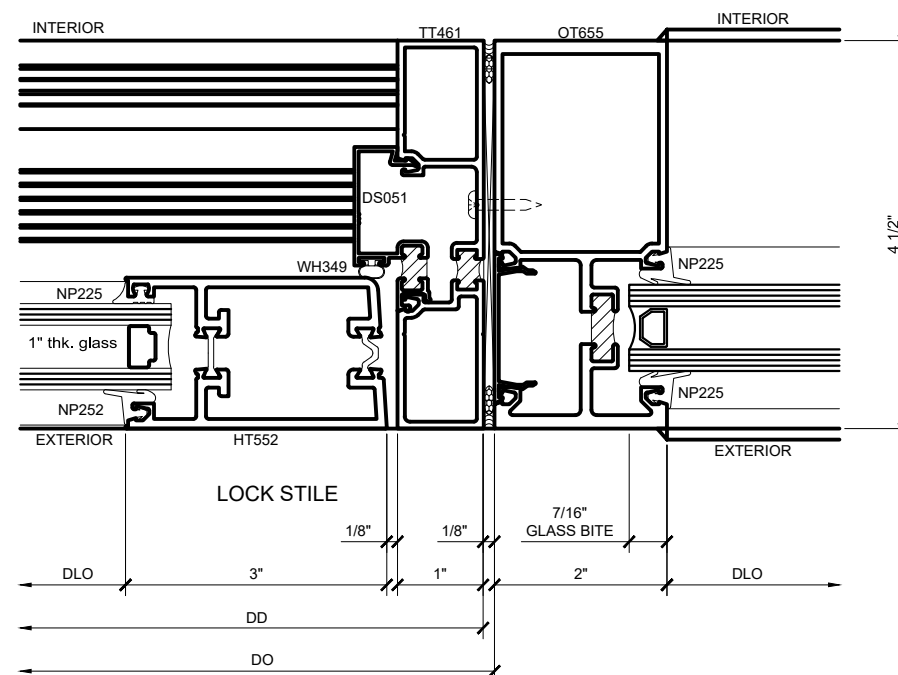
Drawn By: TGM  
 Date: 04/30/19  
 Scale: 1"=1'-0"  
 File Name:  
 OST451\_Therm\_Stacking\_Wndw.dwg  
 Sheet



**6 SECTION DETAIL AT TRANSOM**  
 ARCH REF: N/A EXTERIOR GLAZING 1'-0"=1'-0"

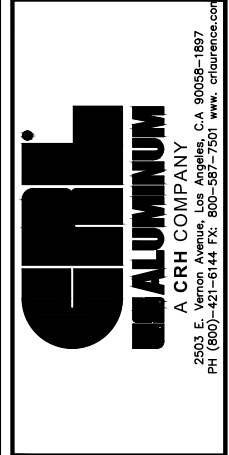


**7 SECTION DETAIL AT DOOR JAMB**  
 ARCH REF: N/A 1'-0"=1'-0"



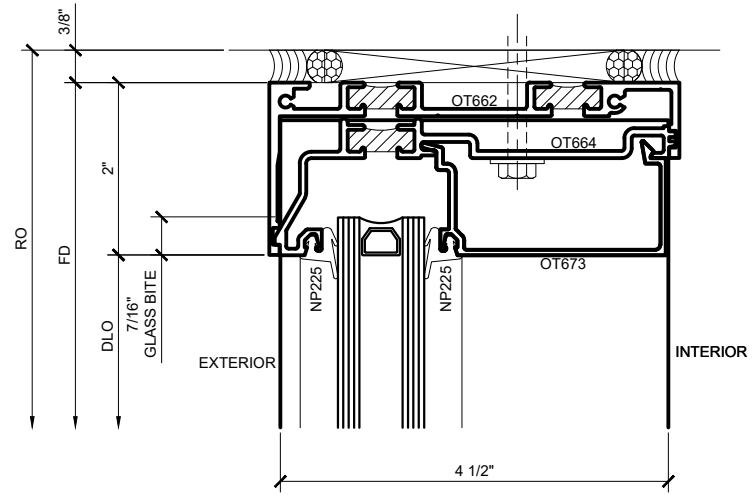
**8 SECTION DETAIL AT JAMB**  
 ARCH REF: N/A 1'-0"=1'-0"

Revisions By:

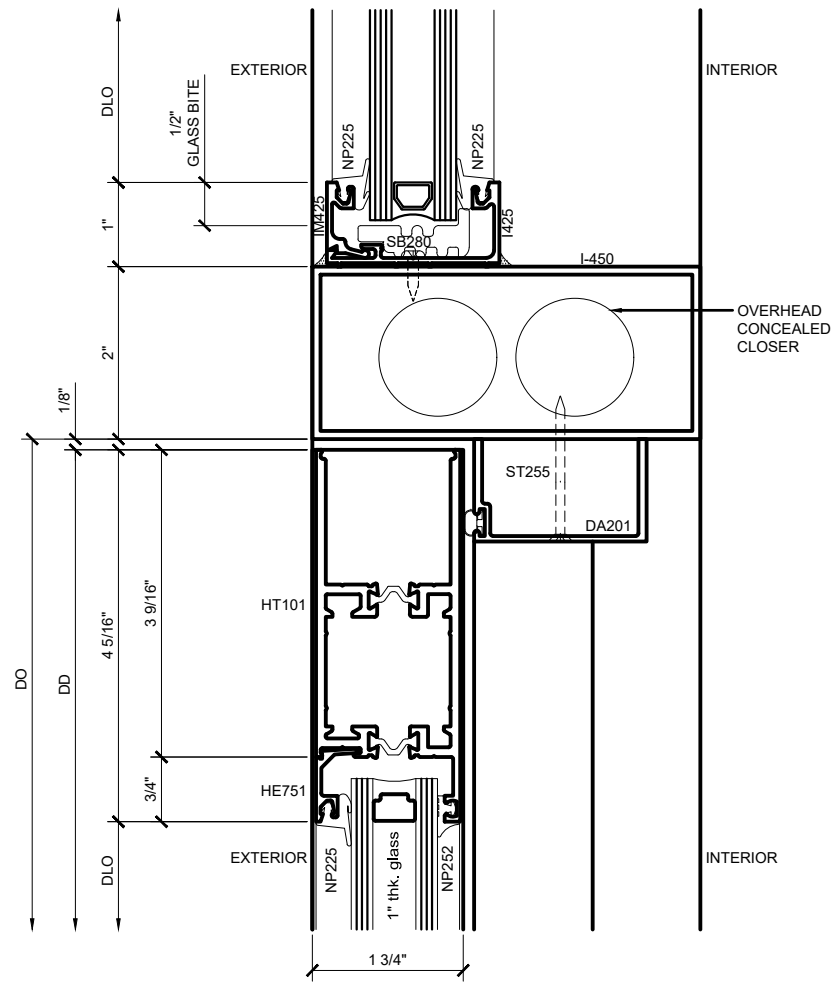


Description:  
 CRL US ALUMINUM  
 OST451 SERIES  
 THERMAL STACKING  
 WINDOWS FOR 1" GLASS

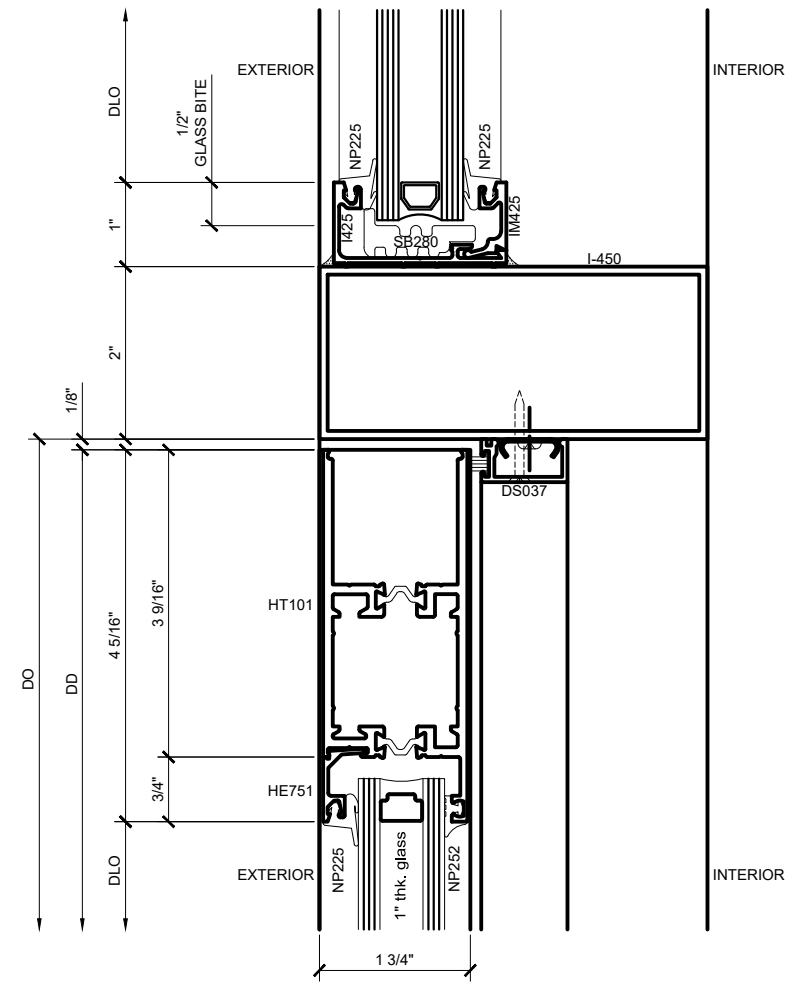
Drawn By: JGM  
 Date: 04/30/19  
 Scale: 1"=1'-0"  
 File Name:  
 OST451\_Therm\_Stacking\_Wndw.dwg  
 Sheet



9 SECTION DETAIL AT HEAD  
 ARCH REF: N/A INTERIOR GLAZING 1'-0"=1'-0"



10 SECTION DETAIL AT DOOR HEAD WITH OHCC  
 ARCH REF: N/A 1'-0"=1'-0"



11 SECTION DETAIL AT DOOR HEAD  
 ARCH REF: N/A 1'-0"=1'-0"

Revisions By:


A CRL COMPANY  
 2503 E. Vernon Avenue, Los Angeles, CA 90058-1887  
 PH (800)-421-6144 FX: 800-587-7501 www.crlaluminum.com


Description:  
 CRL US ALUMINUM  
 OST451 SERIES  
 THERMAL STACKING  
 WINDOWS FOR 1" GLASS

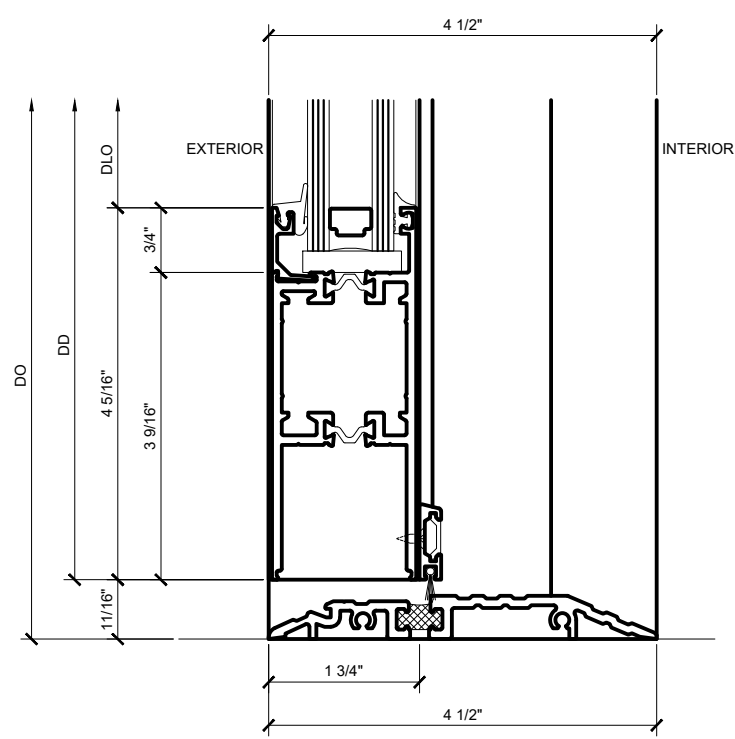

Drawn By: TGM  
 Date: 04/30/19  
 Scale: 1"=1'-0"  
 File Name:  
 OST451\_Therm\_Stacking\_Wndw.dwg

Revisions By:

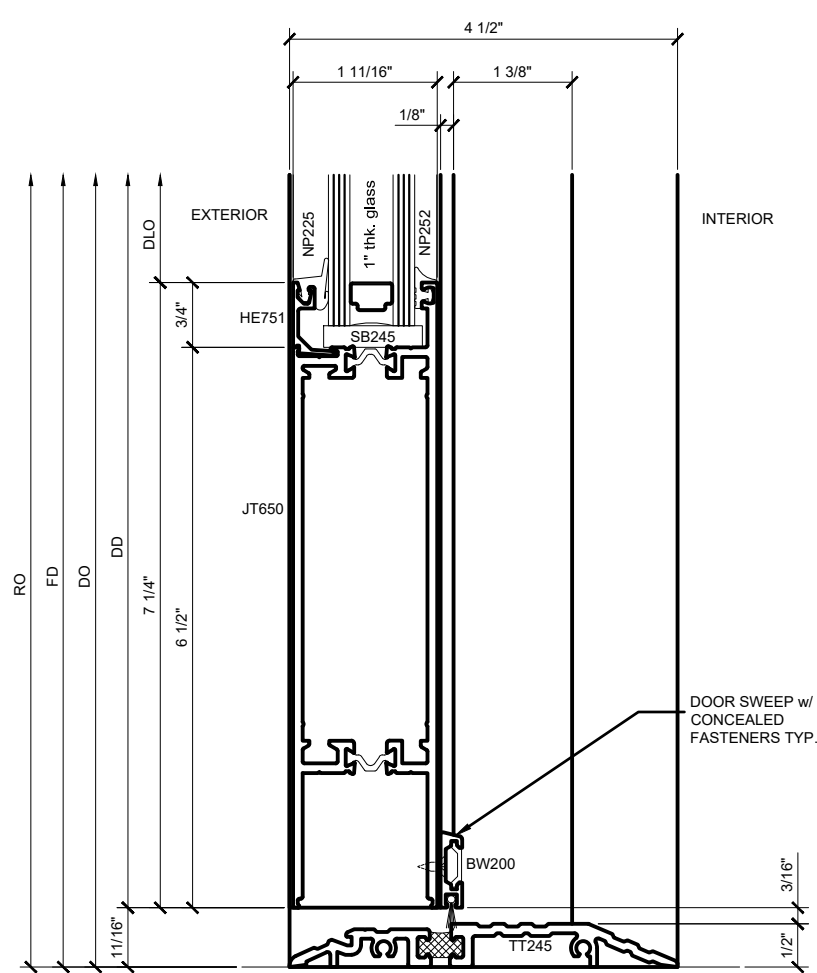
**CRL ALUMINUM**  
 A CRH COMPANY  
 2503 E. Vernon Avenue, Los Angeles, CA 90058-1887  
 PH (800)-421-6144 FX: 800-587-7501 www.crlaluminum.com

Description:  
 CRL US ALUMINUM  
 OST451 SERIES  
 THERMAL STACKING  
 WINDOWS FOR 1" GLASS

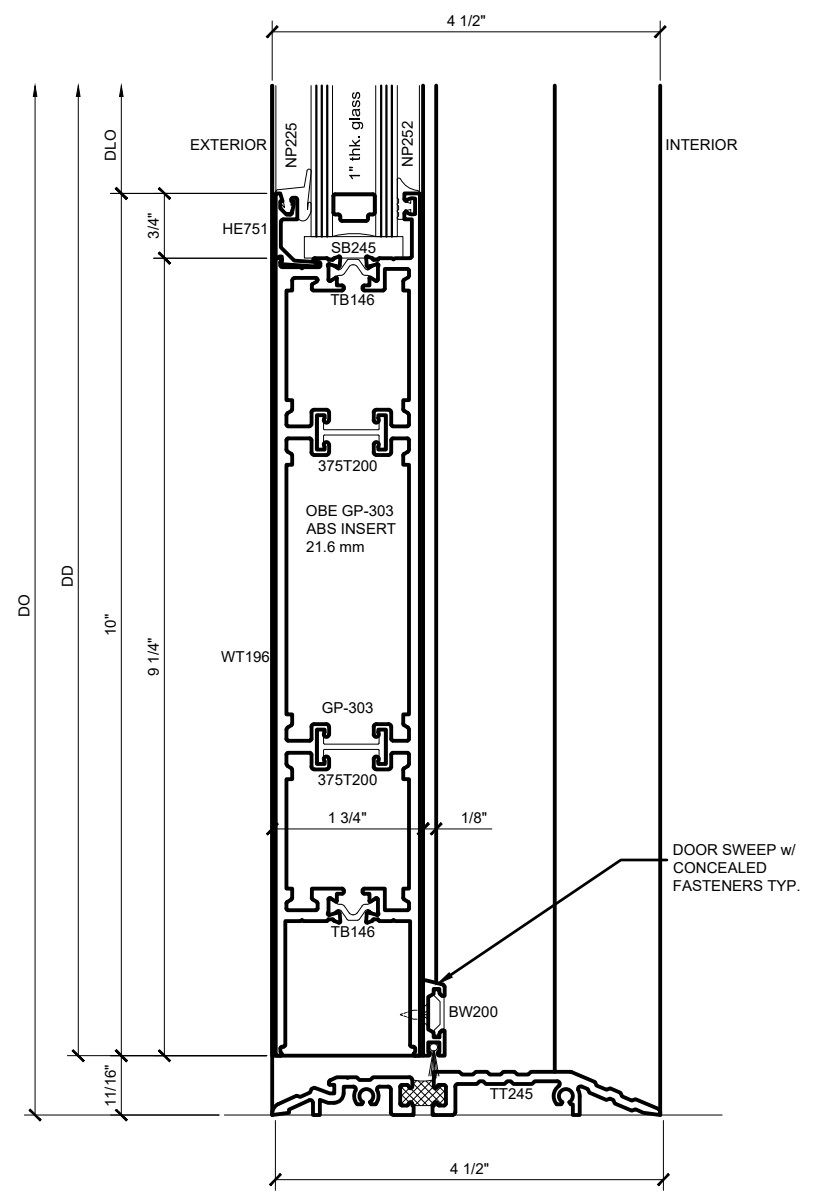
Drawn By: JGM  
 Date: 04/30/19  
 Scale: 1"=1'-0"  
 File Name:  
 OST451\_Therm\_Stacking\_Wndw.dwg  
 Sheet



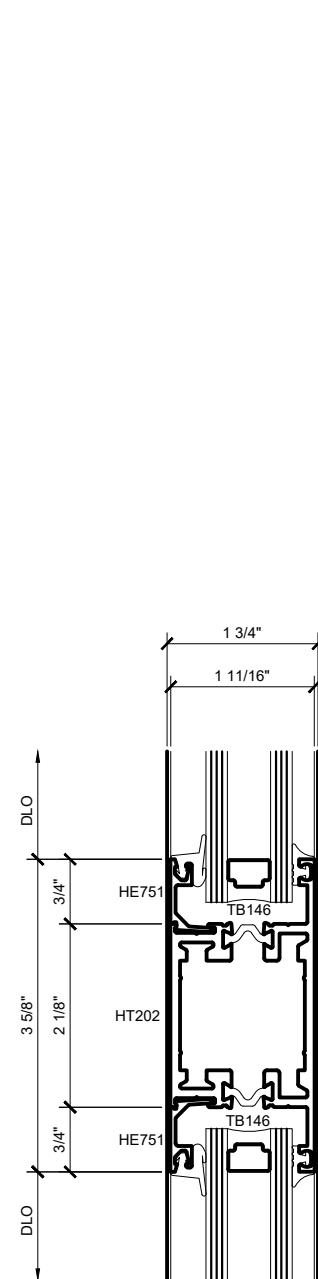
**12** SECTION DETAIL AT DOOR SILL  
 ARCH REF: N/A 1'-0\"=1'-0\"



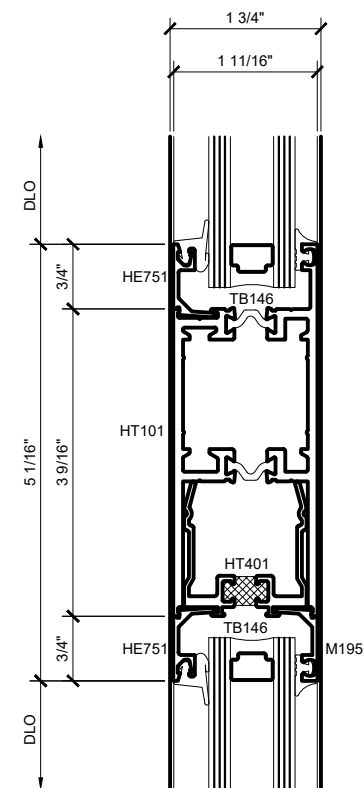
**13** OPTIONAL DOOR SILL  
 ARCH REF: N/A 1'-0\"=1'-0\"



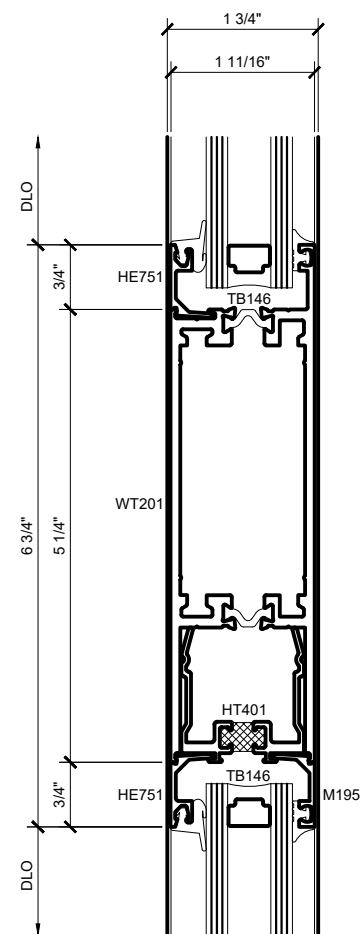
**14** SECTION DETAIL AT DOOR SILL  
 ARCH REF: N/A 1'-0\"=1'-0\"



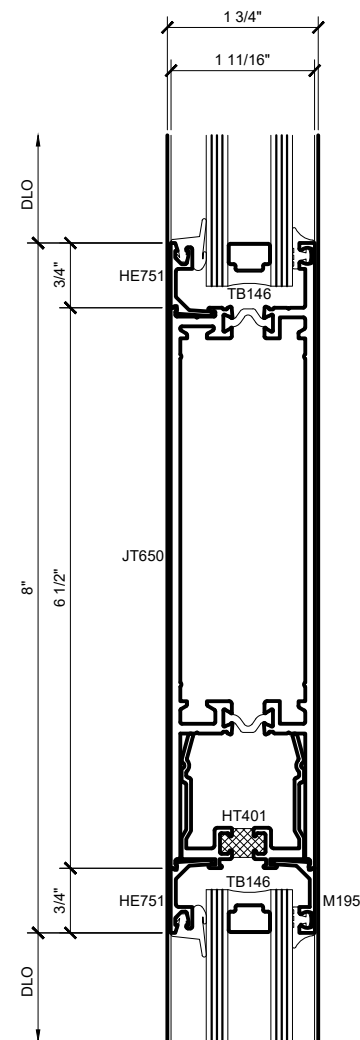
**HT202**



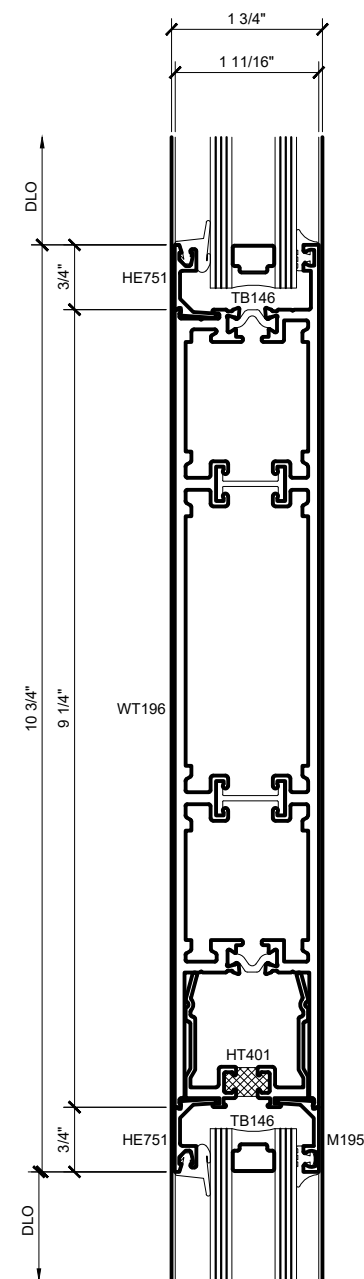
**MT101**



**MT201**



**MT650**



**MT196**

**THERMAL DOOR MUNTINS**

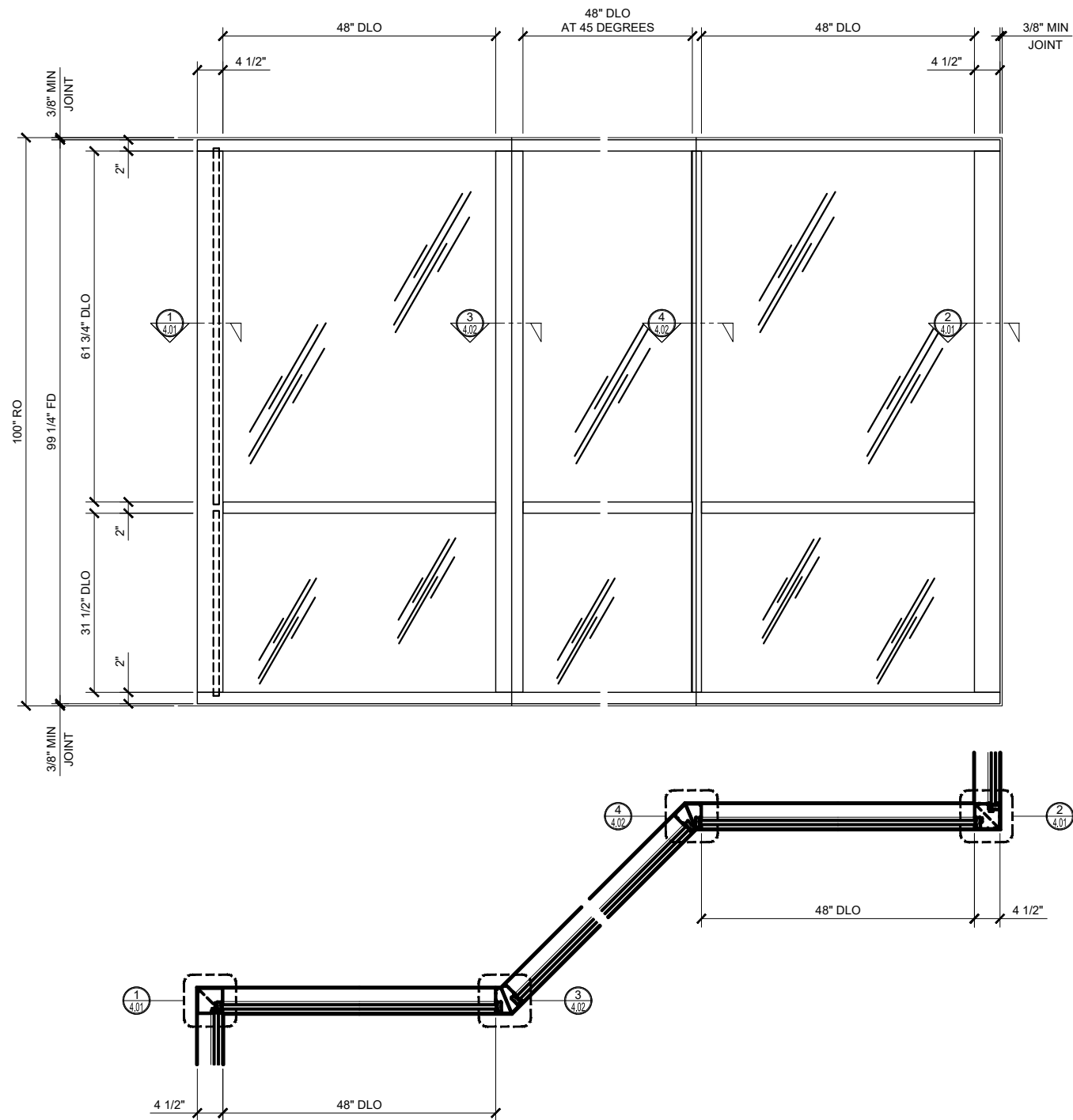
Revisions By:

**CRAL**  
**ALUMINUM**  
 A CRH COMPANY  
 2503 E. Vernon Avenue, Los Angeles, CA 90058-1887  
 PH (800)-421-6144 FX: 800-587-7501 www.cralence.com

Description:  
 CRL US ALUMINUM  
 OST451 SERIES  
 THERMAL STACKING  
 WINDOWS FOR 1" GLASS

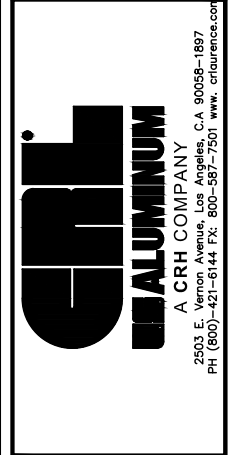
Drawn By: TGM  
 Date: 04/30/19  
 Scale: 1"=1'-0"  
 File Name:  
 OST451\_Therm\_Stacking\_Wndw.dwg  
 Sheet

**WINDOW WALLS - OST451 SERIES (90 DEGREE & 135 DEGREE CORNERS FOR 1" GLASS)**



STANDARD ABBREVIATIONS	
RO	ROUGH OPENING
FD	FRAME DIMENSION
DLO	DAYLIGHT OPENING
DO	DOOR OPENING
DD	DOOR DIMENSION
DP	DIMENSION POINT
SMC	SURFACE MOUNTED CLOSER
OHCC	OVERHEAD CONCEALED CLOSER

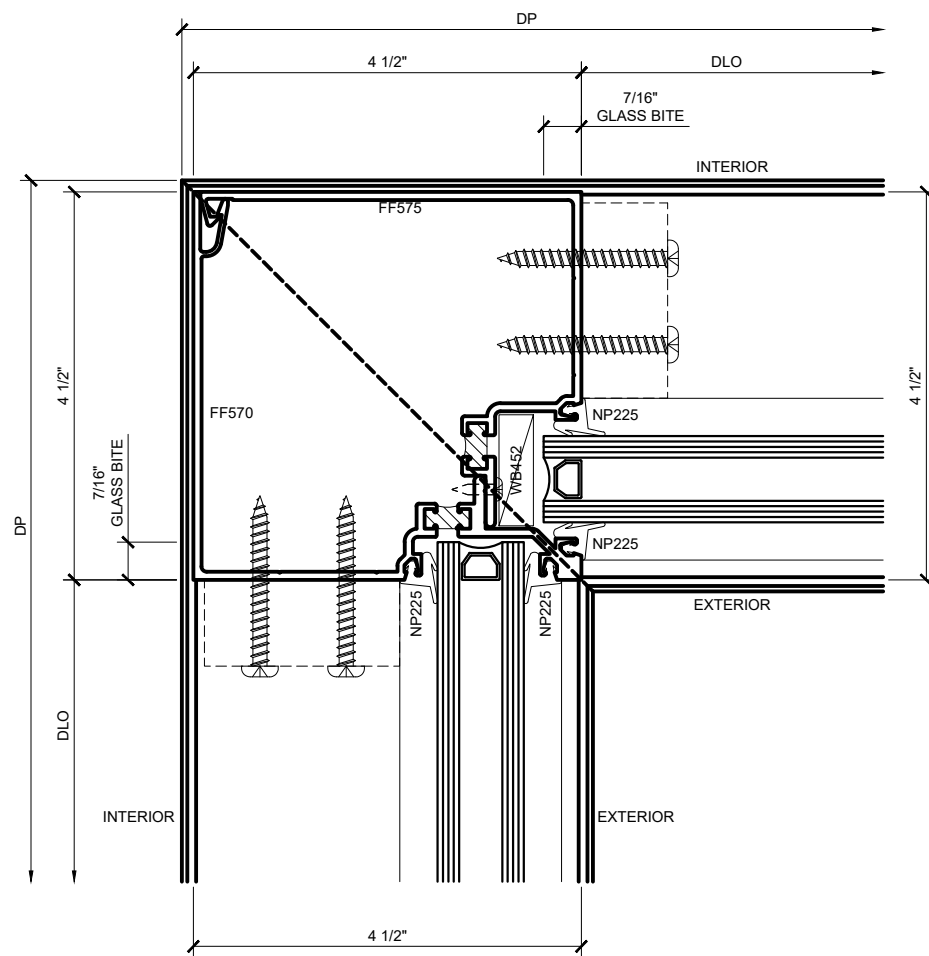
Revisions By:



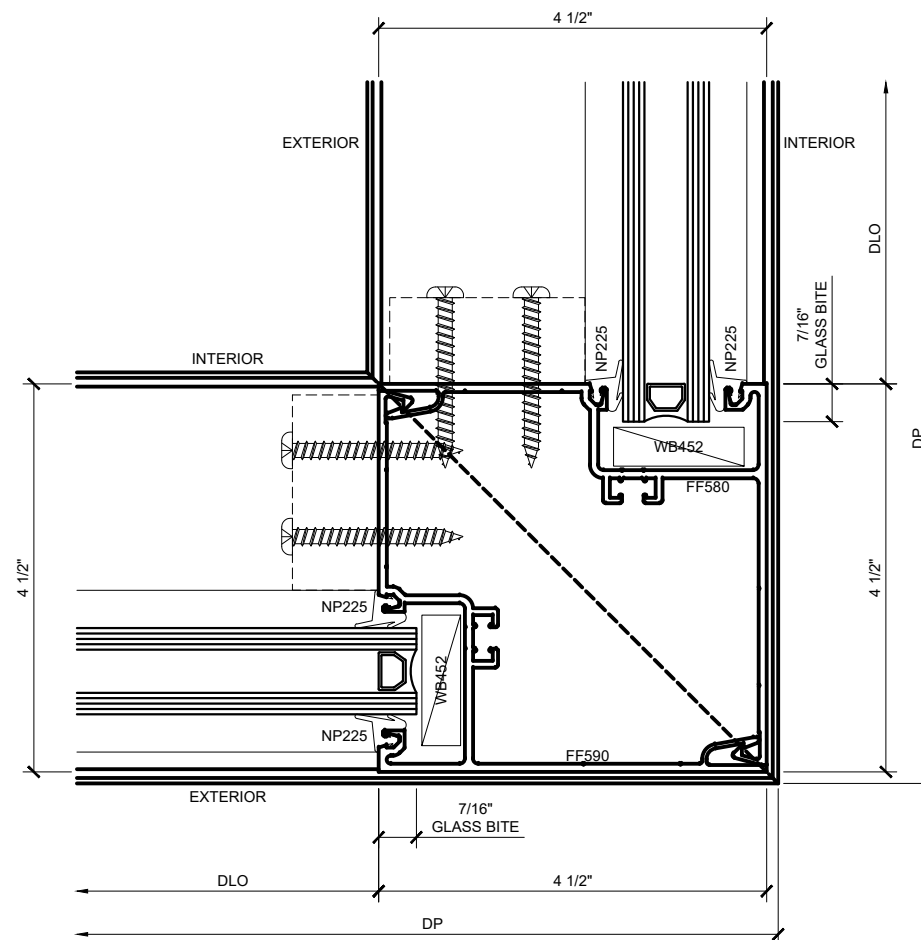
2503 E. Vernon Avenue, Los Angeles, CA 90058-1887  
 PH (800)-421-6144 FX: 800-587-7501 www.crlaluminum.com

Description:  
 CRL US ALUMINUM  
 OST451 SERIES  
 THERMAL STACKING  
 WINDOWS FOR 1" GLASS

Drawn By: JGM  
 Date: 04/30/19  
 Scale: 1"=1'-0"  
 File Name: OST451\_Therm\_Stacking\_Wndw.dwg  
 Sheet



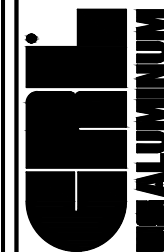
① SECTION DETAIL AT  
90 DEGREES CORNER VERTICAL  
ARCH REF: N/A 1'-0"=1'-0"



② SECTION DETAIL AT  
90 DEGREES CORNER VERTICAL  
ARCH REF: N/A 1'-0"=1'-0"

OS-2 OFFSET SYSTEM - OST451 SERIES CORNER DETAILS

Revisions By:

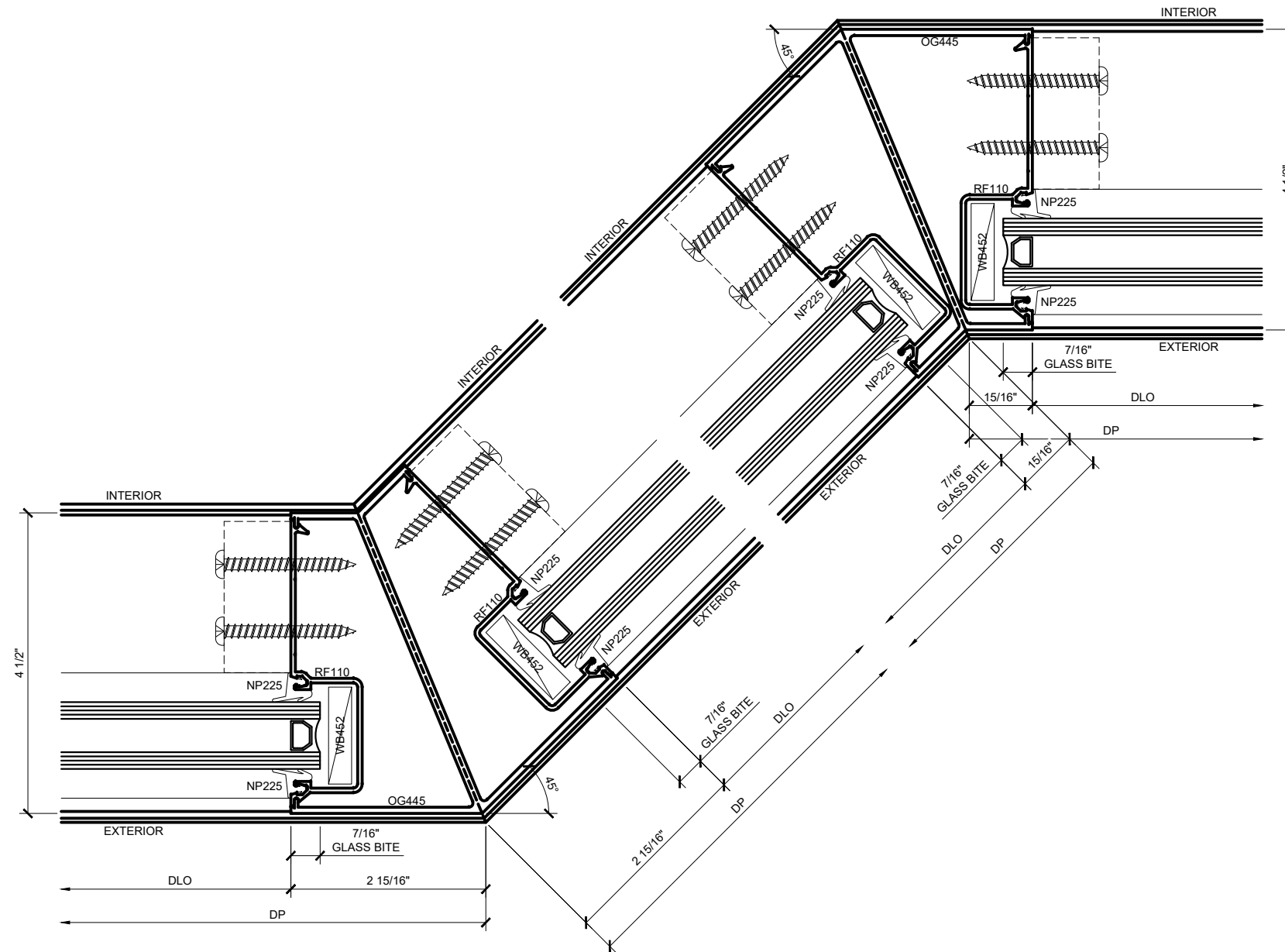


A CRH COMPANY  
2503 E. Vernon Avenue, Los Angeles, CA 90058-1887  
PH (800)-421-6144 FX: 800-587-7501 www.crlaluminum.com

Description:  
CRL US ALUMINUM  
OST451 SERIES  
THERMAL STACKING  
WINDOWS FOR 1" GLASS

Drawn By: JGM  
Date: 04/30/19  
Scale: 1"=1'-0"  
File Name:  
OST451\_Therm\_Stacking\_Wndw.dwg  
Sheet





③ SECTION DETAIL AT  
135 DEGREES CORNER VERTICAL  
ARCH REF: N/A 1'-0"=1'-0"

④ SECTION DETAIL AT  
135 DEGREES CORNER VERTICAL  
ARCH REF: N/A 1'-0"=1'-0"

OS-2 OFFSET SYSTEM - OST451 SERIES CORNER DETAILS

Revisions By:


Description:  
CRL US ALUMINUM  
OST451 SERIES  
THERMAL STACKING  
WINDOWS FOR 1" GLASS

Drawn By: JGM  
Date: 04/30/19  
Scale: 1"=1'-0"  
File Name:  
OST451\_Therm\_Stacking\_Wndw.dwg