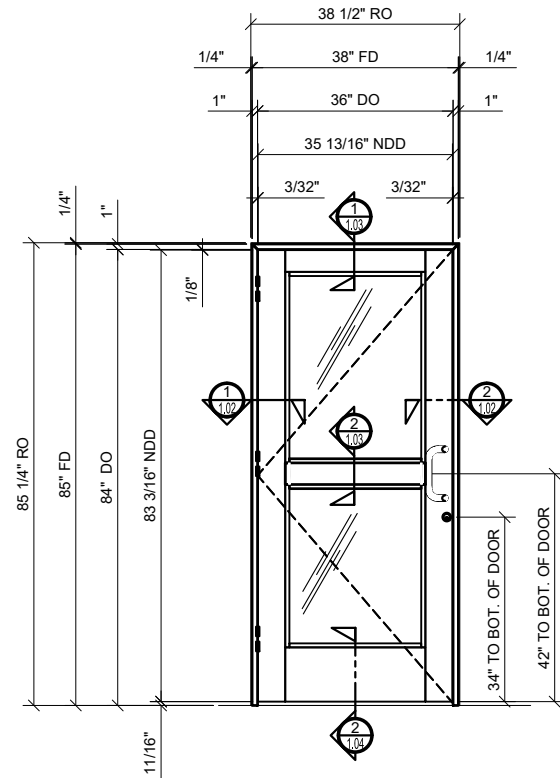


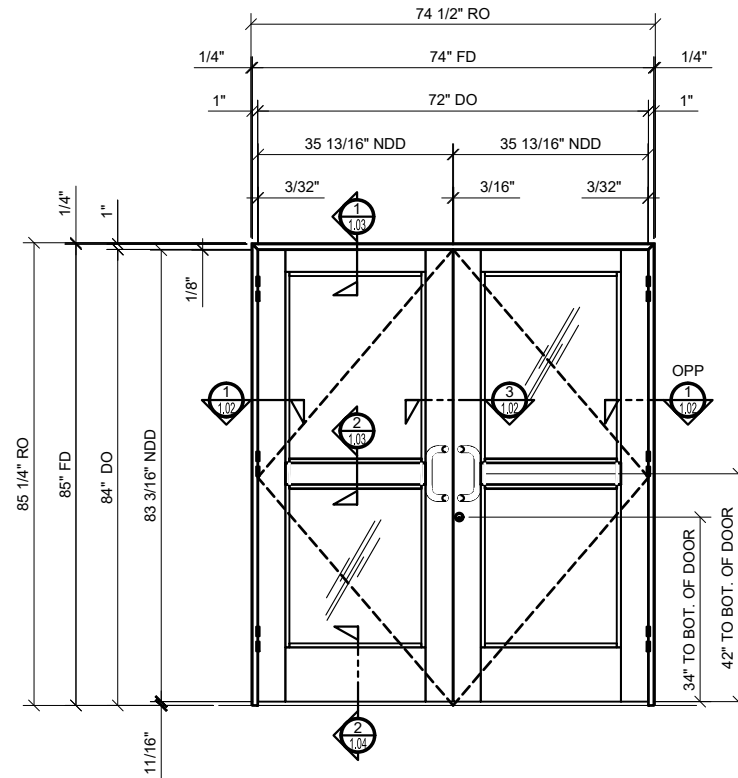


# SERIES 500TC DOORS

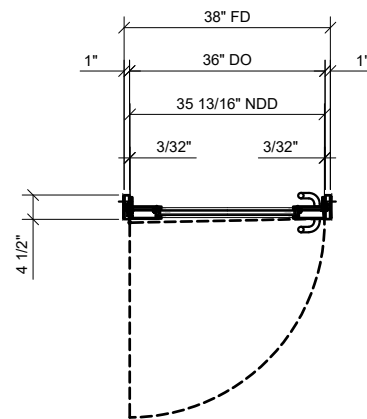
WITH SERIES 500TC WIDE STILE, 10" BOTTOM RAIL A.D.A. COMPLIANT  
1" SUBFRAME, BUTT HINGE, OFFSET PIVOT STILE, LEAD STILE



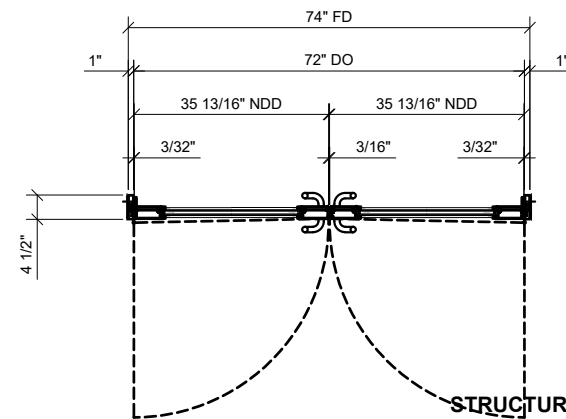
**③ SINGLE DOOR ELEVATION**  
ARCH REF: NONE 3/4"=1'-0"



**④ DOUBLE DOOR ELEVATION**  
ARCH REF: NONE 3/4"=1'-0"



**① SINGLE DOOR PLAN**  
ARCH REF: NONE 3/4"=1'-0"



**② DOUBLE DOOR PLAN**  
ARCH REF: NONE

**STRUCTURAL DISCLAIMER:**  
ALL CUSTOMERS WHO IN ANY WAY UTILIZE THIS PRODUCT ARE SOLELY RESPONSIBLE TO CONSULT A STRUCTURAL ENGINEER TO DETERMINE THE SUITABILITY OF THE PRODUCT FOR THE INTENDED USE AND SITE CONDITIONS. ALL INSTALLERS MUST BE QUALIFIED AND HAVE PROFESSIONAL KNOWLEDGE ABOUT COMPLIANCE WITH LOCAL, STATE AND FEDERAL REGULATIONS, SAFETY FACTORS, AND THE APPROPRIATE CHOICE OF FIXING MATERIAL AND PROCEDURES.

Revisions By:



Description:  
CRL 500TC  
DOORS

Drawn By: RPD  
Date: 05/01/18  
Scale: AS NOTED  
File Name: CRL 500TC.dwg

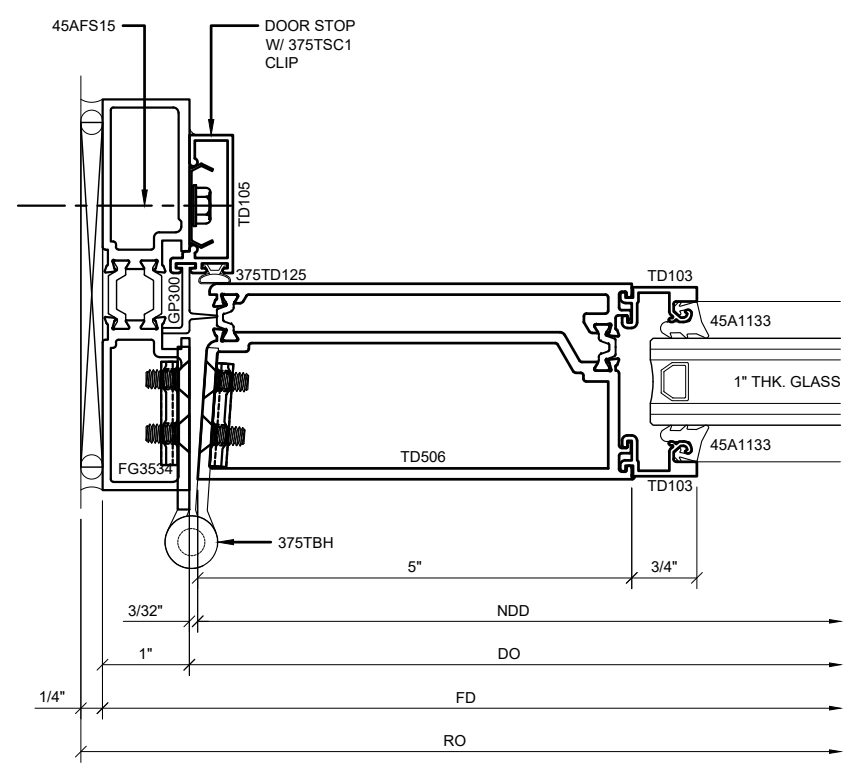
Sheet

1.01

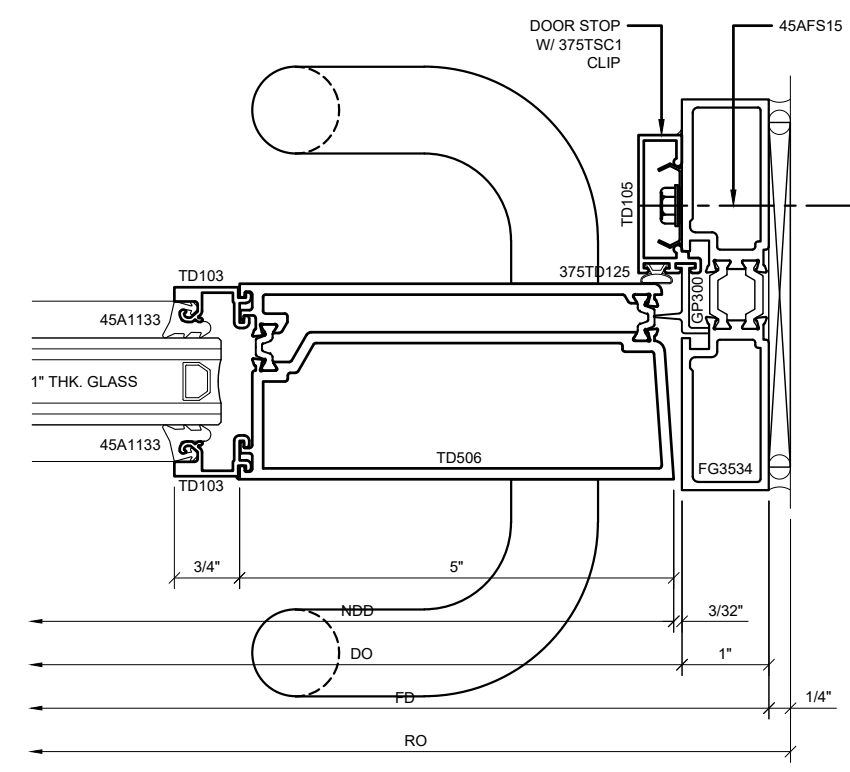
Revisions By:



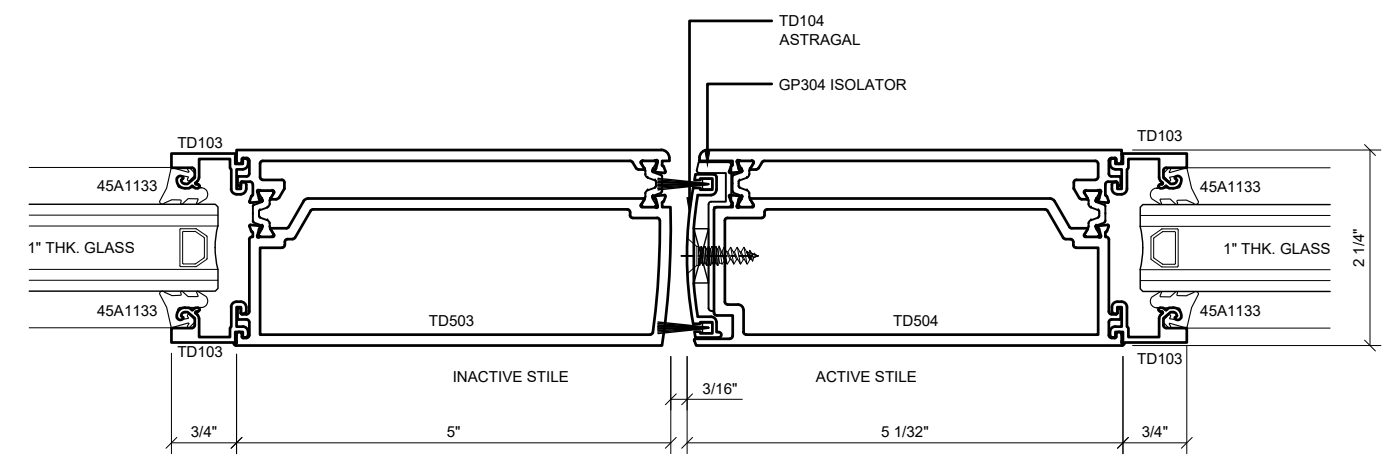
C.R. LAURENCE CO. ARCHITECTURAL PRODUCTS  
2503 E. Vernon Avenue, Los Angeles, CA 90058-1897  
PH (800)-421-6144 FX: 800-587-7501 www.crlaurence.com



① SERIES 500TC DOOR JAMB DETAIL (BUTT HINGE SIDE)  
ARCH REF: 1'-0\"/>



② SERIES 500TC DOOR JAMB DETAIL (STRIKE SIDE)  
ARCH REF: 1'-0\"/>

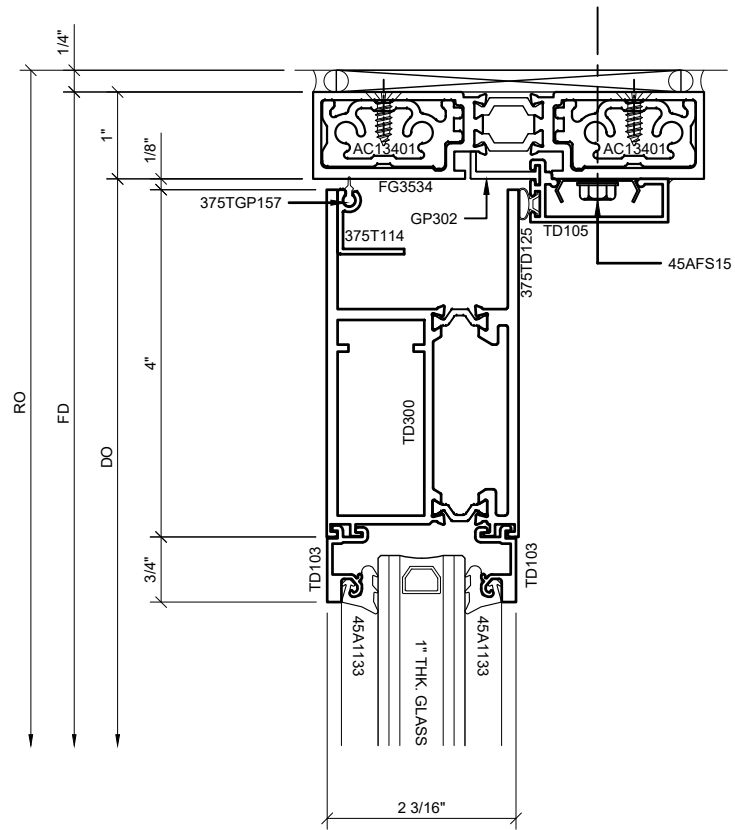


③ SERIES 500TC DOOR DETAIL (@ MEETING STILES)  
ARCH REF: 1'-0\"/>

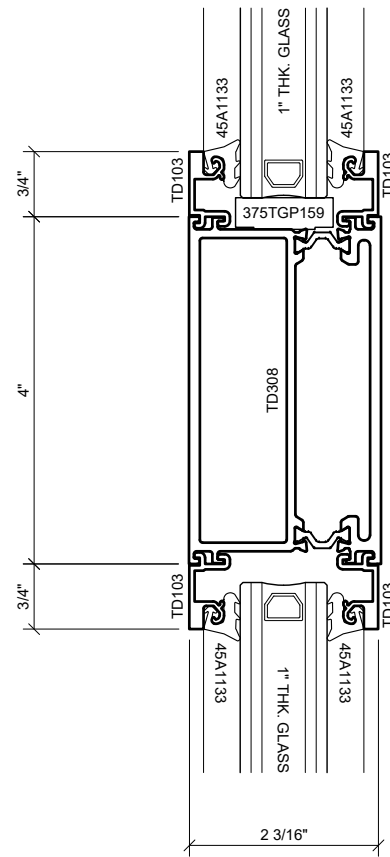
Description:  
CRL 500TC  
DOORS

Drawn By: RPD  
Date: 05/01/18  
Scale: AS NOTED  
File Name: CRL 500TC.dwg

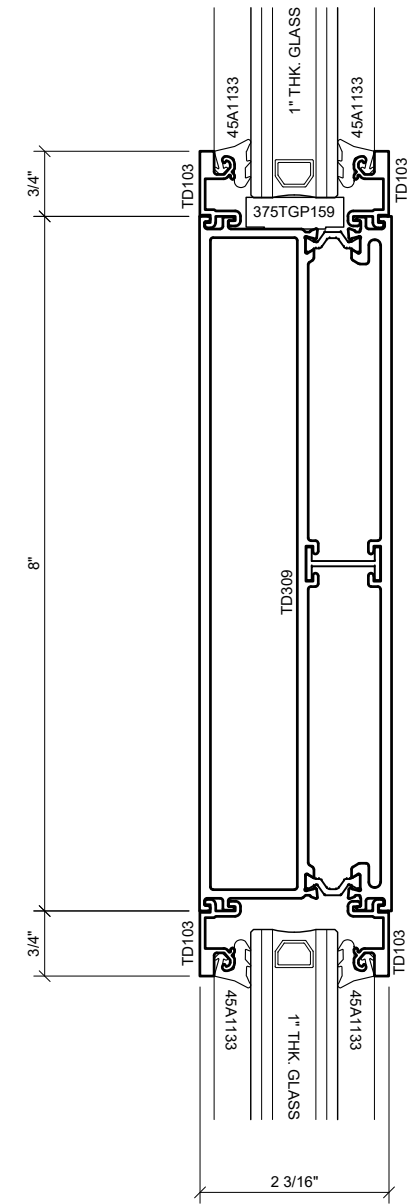
Sheet



① SERIES 500TC DOOR SUBFRAME HEAD DETAIL  
 ARCH REF: 1'-0"=1'-0"



② SERIES 500TC DOOR MID-RAIL DETAIL  
 ARCH REF: 1'-0"=1'-0"



③ SERIES 500TC DOOR MID-RAIL DETAIL  
 ARCH REF: 1'-0"=1'-0"

Revisions By:



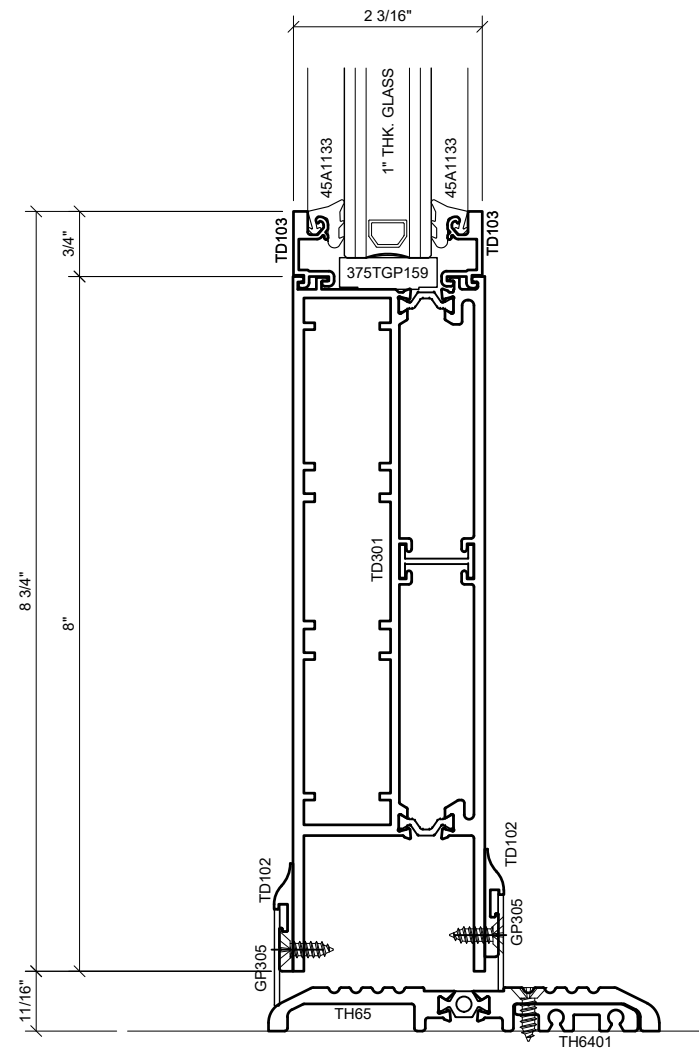
C.R. LAURENCE CO. ARCHITECTURAL PRODUCTS  
 2503 E. Verron Avenue, Los Angeles, CA 90058-1897  
 PH (800)-421-6144 FX: 800-587-7501 www.crlaurence.com

Description:  
 CRL 500TC  
 DOORS

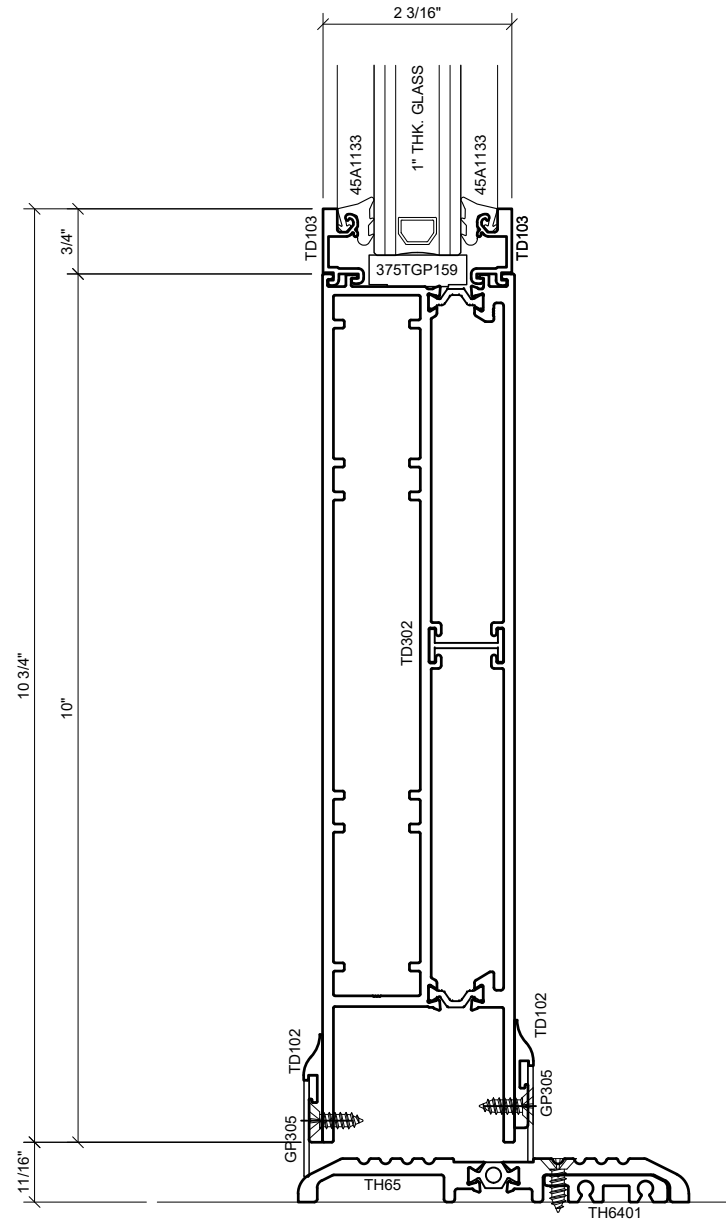
Drawn By: RPD  
 Date: 05/01/18  
 Scale: AS NOTED  
 File Name:  
 CRL 500TC.dwg

Sheet

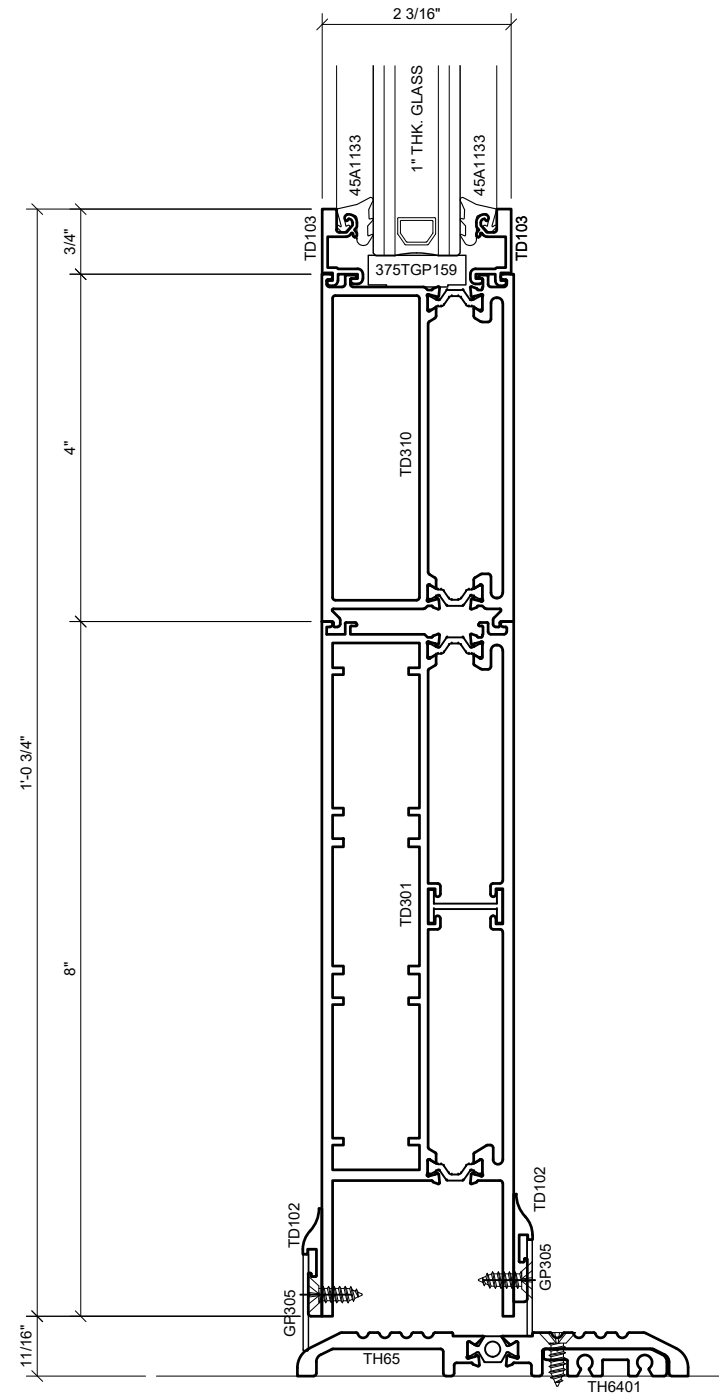
1.03



① SERIES 500TC DOOR DETAIL (w/ 8" BOTTOM RAIL)  
 ARCH REF: 1'-0"=1'-0"



② SERIES 500TC DOOR DETAIL (w/ 10" BOTTOM RAIL)  
 ARCH REF: 1'-0"=1'-0"



③ SERIES 500TC DOOR DETAIL (w/ 12" BOTTOM RAIL)  
 ARCH REF: 1'-0"=1'-0"

Revisions By:



C.R. LAURENCE CO. ARCHITECTURAL PRODUCTS  
 2503 E. Vernon Avenue, Los Angeles, CA 90058-1897  
 PH (800)-421-6144 FX: 800-587-7501 www.crlaurence.com

Description:

CRL 500TC  
 DOORS

Drawn By: RPD

Date: 05/01/18

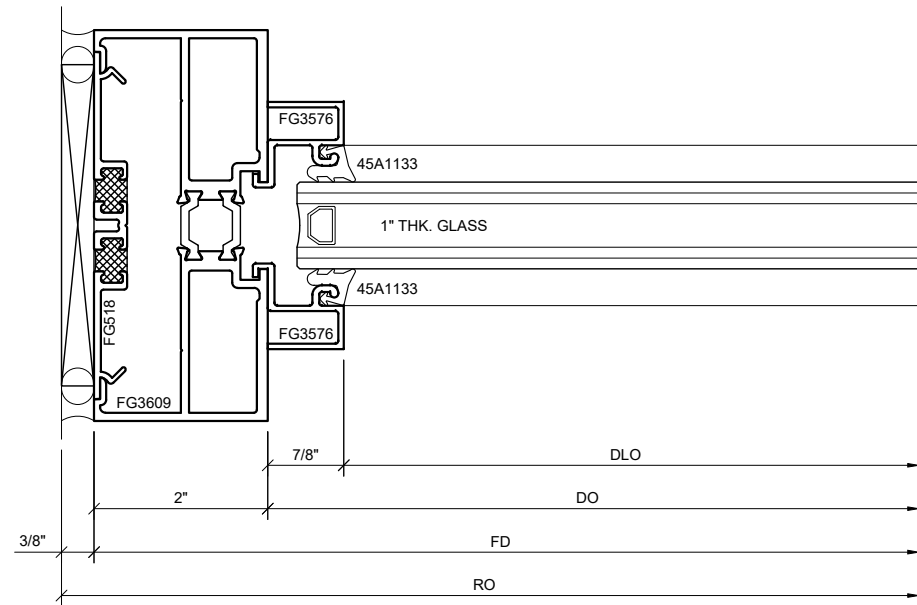
Scale: AS NOTED

File Name:  
 CRL 500TC.dwg

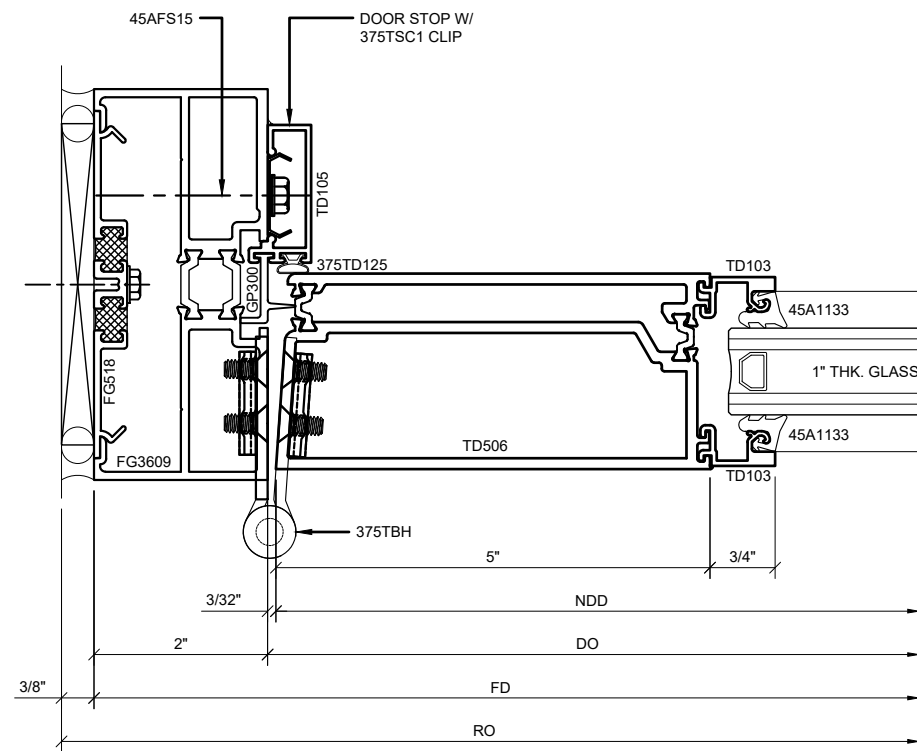
Sheet

1.04

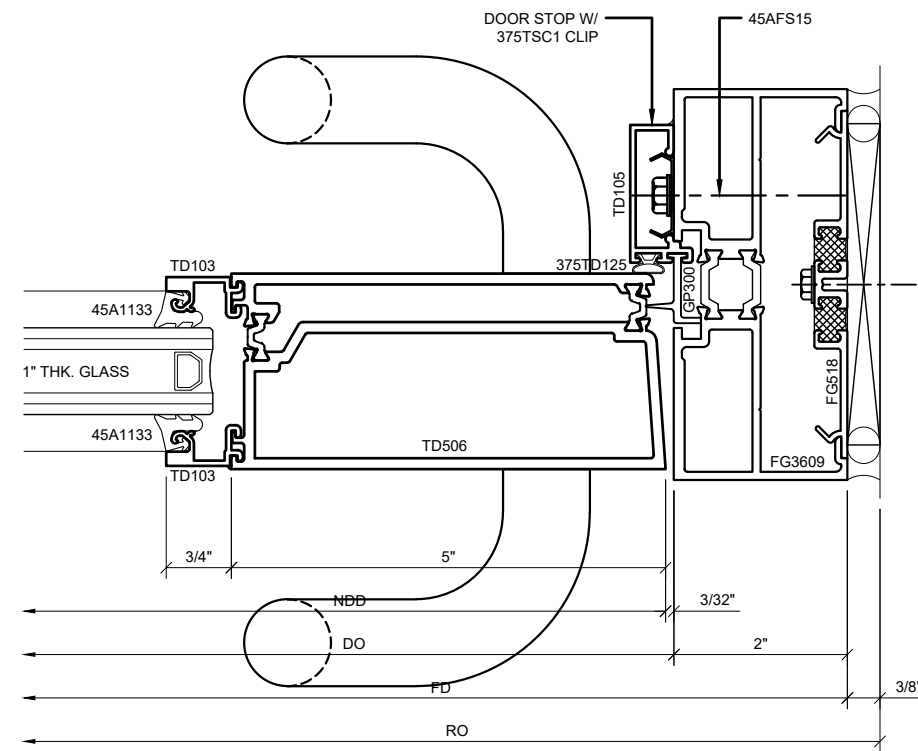




**③ SERIES 500TC TRANSOM JAMB DETAIL**  
 ARCH REF: 1'-0"=1'-0"



**① SERIES 500TC DOOR JAMB DETAIL (HINGE SIDE)**  
 ARCH REF: 1'-0"=1'-0"



**② SERIES 500TC DOOR JAMB DETAIL (STRIKE SIDE)**  
 ARCH REF: 1'-0"=1'-0"

Revisions By:



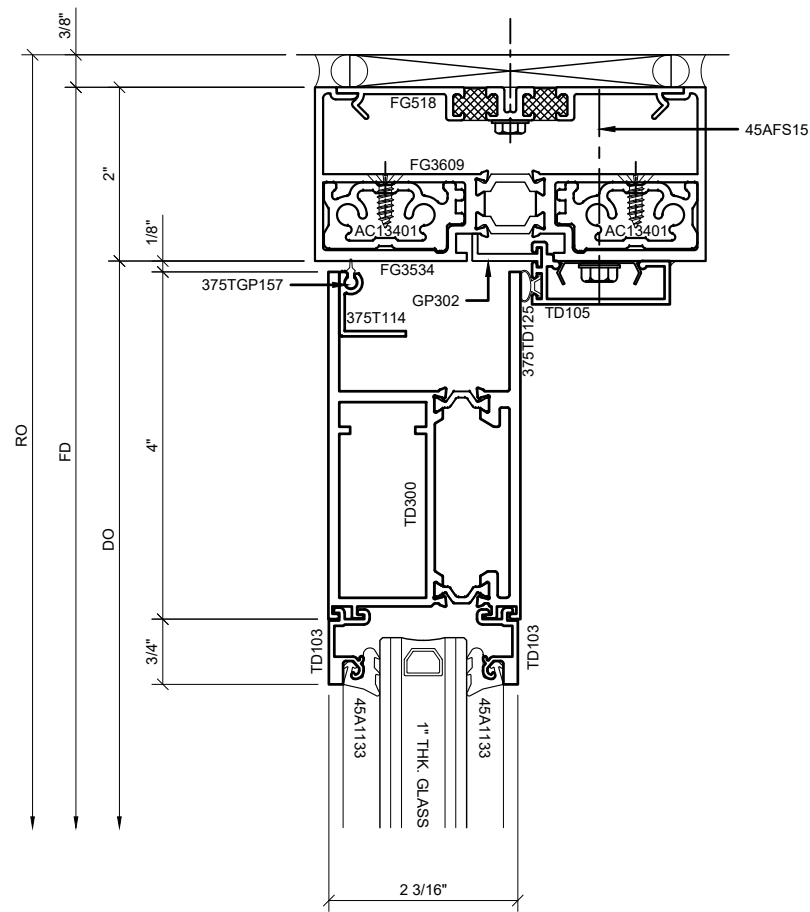
C.R. LAURENCE CO. ARCHITECTURAL PRODUCTS  
 2503 E. Vernon Avenue, Los Angeles, CA 90058-1897  
 PH (800)-421-6144 FX: 800-587-7501 www.crlaurence.com

Description:  
 CRL 500TC  
 DOORS

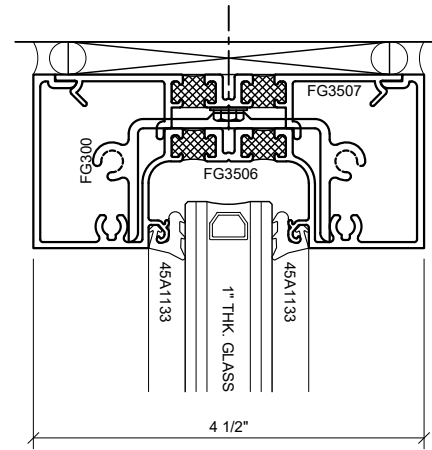
Drawn By: RPD  
 Date: 05/01/18  
 Scale: AS NOTED  
 File Name: CRL 500TC.dwg

Sheet

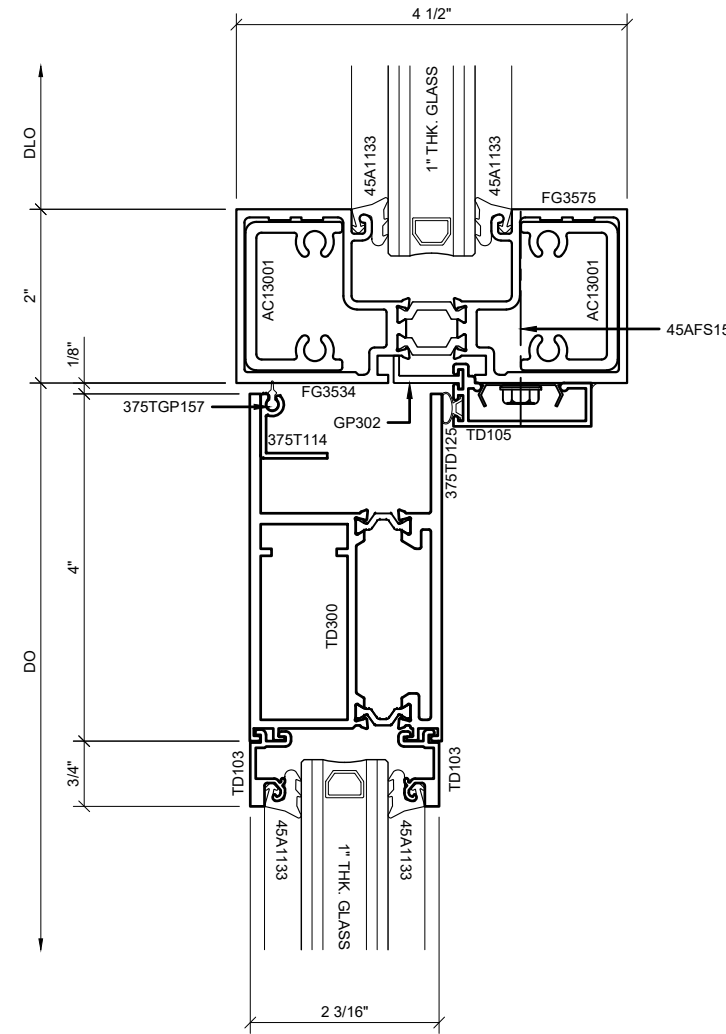
2.02



**① SERIES 500TC DOOR SUBFRAME HEAD DETAIL**  
 ARCH REF. 1'-0"=1'-0"



**③ SERIES 500TC TRANSOM HEAD DETAIL**  
 ARCH REF. 1'-0"=1'-0"



**② SERIES 500TC DOOR SUBFRAME HEAD DETAIL (@ TRANSOM)**  
 ARCH REF. 1'-0"=1'-0"

Revisions By:



C.R. LAURENCE CO. ARCHITECTURAL PRODUCTS  
 2503 E. Vernon Avenue, Los Angeles, CA 90058-1897  
 PH (800)-421-6144 FX: 800-587-7501 www.crlaurence.com

Description:  
 CRL 500TC  
 DOORS

Drawn By: RPD  
 Date: 05/01/18  
 Scale: AS NOTED  
 File Name: CRL 500TC.dwg

Sheet

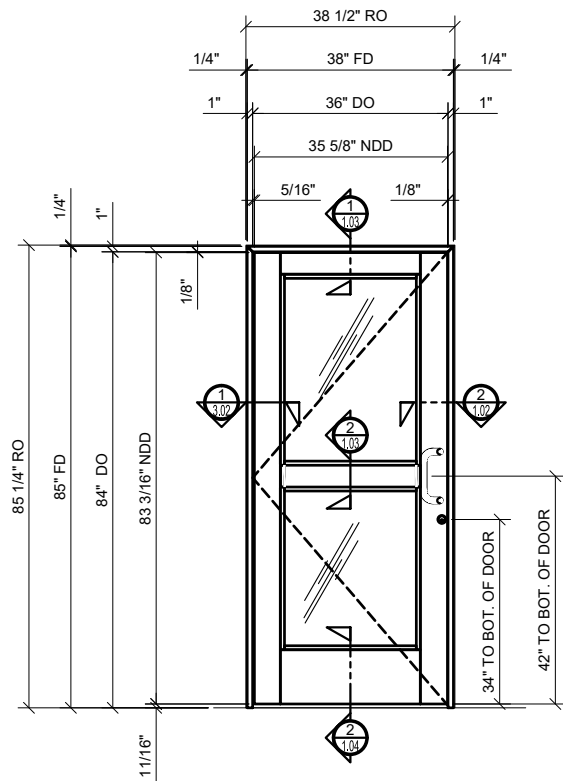
2.03



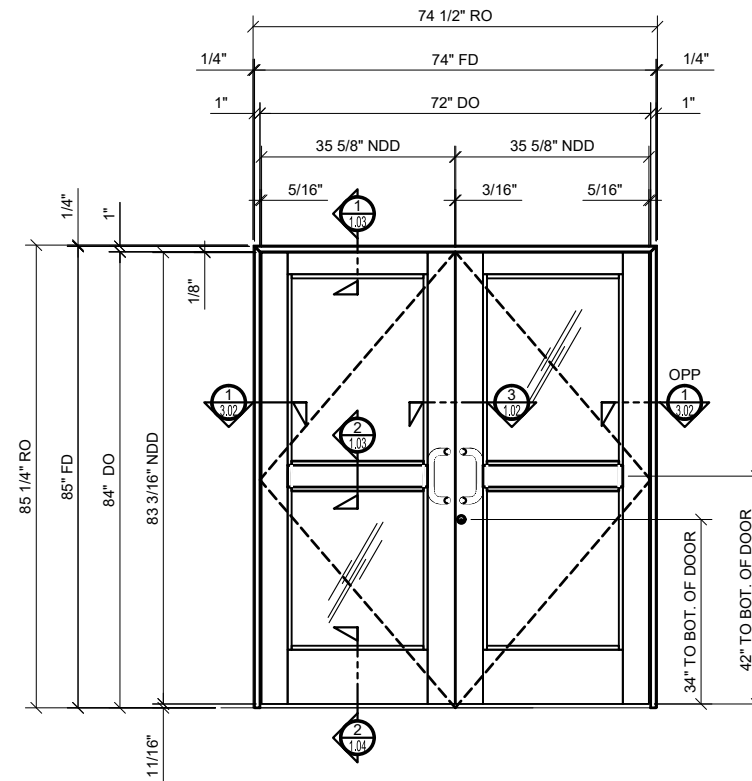
WITH SERIES 500TC WIDE STILE, 10" BOTTOM RAIL A.D.A. COMPLIANT,  
1" SUBFRAME, GEAR HINGE, OFFSET PIVOT STILE, LEAD STILE

Revisions By:

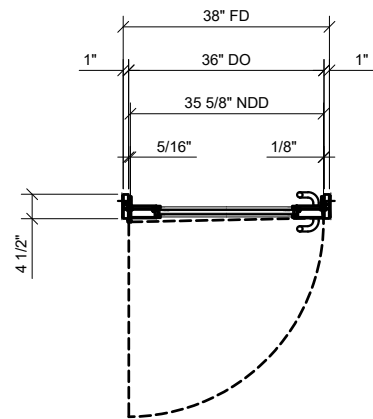
C.R. LAURENCE CO. ARCHITECTURAL PRODUCTS  
2503 E. Vernon Avenue, Los Angeles, CA 90058-1897  
PH (800)-421-6144 FX: 800-587-7501 www.crlaurence.com



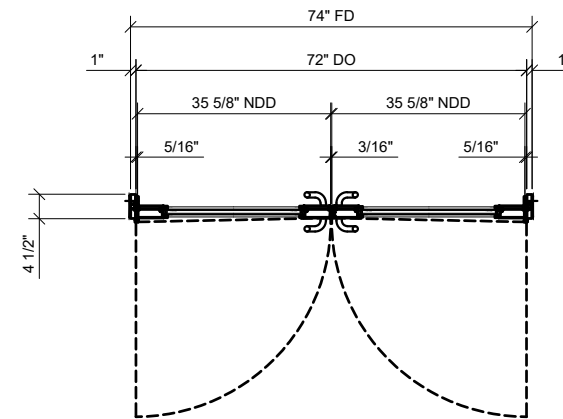
**② SINGLE DOOR ELEVATION**  
ARCH REF: NONE 3/4"=1'-0"



**④ DOUBLE DOOR ELEVATION**  
ARCH REF: NONE 3/4"=1'-0"



**① SINGLE DOOR PLAN**  
ARCH REF: NONE 3/4"=1'-0"



**③ DOUBLE DOOR PLAN**  
ARCH REF: NONE 3/4"=1'-0"

Description:  
CRL 500TC  
DOORS

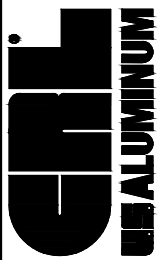
Drawn By: RPD  
Date: 05/01/18  
Scale: AS NOTED  
File Name: CRL 500TC.dwg

Sheet

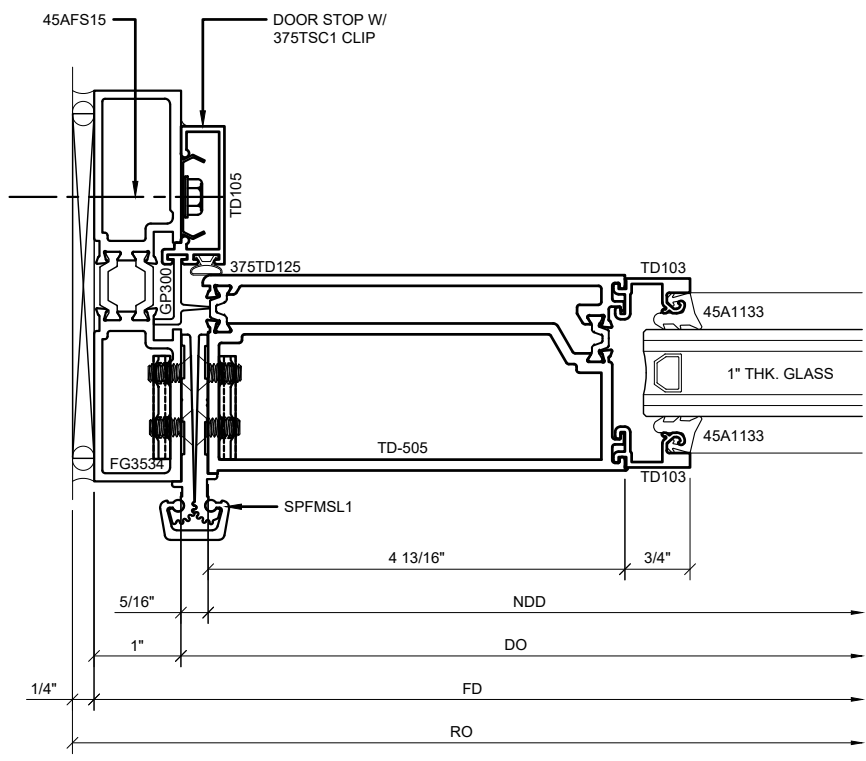
3.01



Revisions By:



C.R. LAURENCE CO. ARCHITECTURAL PRODUCTS  
2503 E. Vernon Avenue, Los Angeles, CA 90058-1897  
PH (800)-421-6144 FX: 800-587-7501 www.crlaurence.com



① SERIES 500TC DOOR JAMB DETAIL (GEAR HINGE SIDE)

ARCH REF:

1'-0"=1'-0"

Description:

CRL 500TC  
DOORS

Drawn By: RPD

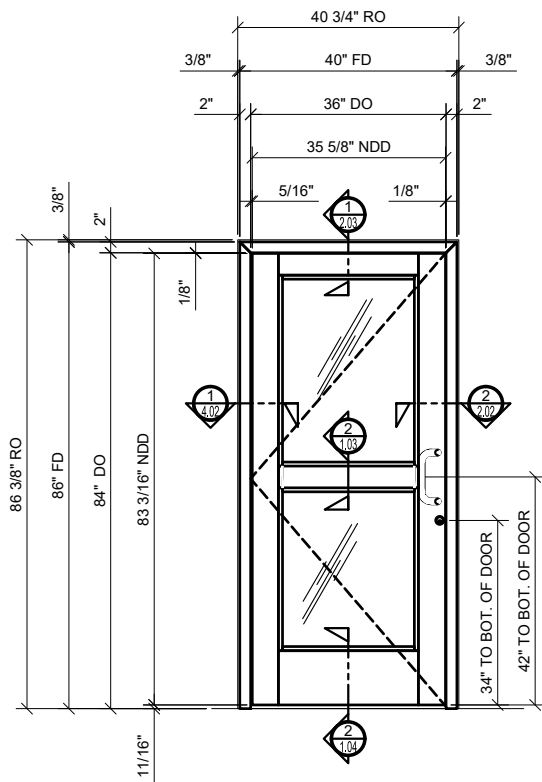
Date: 05/01/18

Scale: AS NOTED

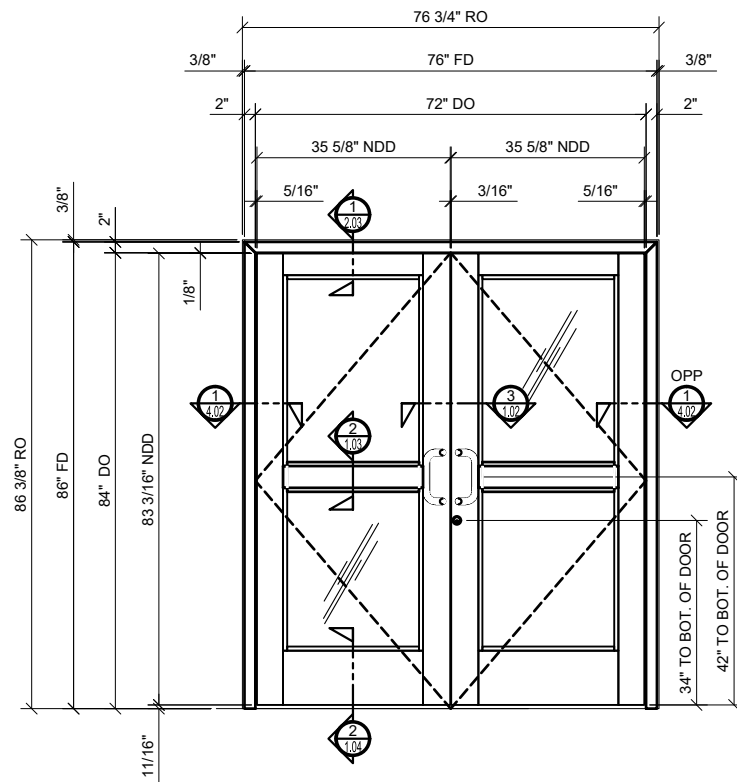
File Name:  
CRL 500TC.dwg

Sheet

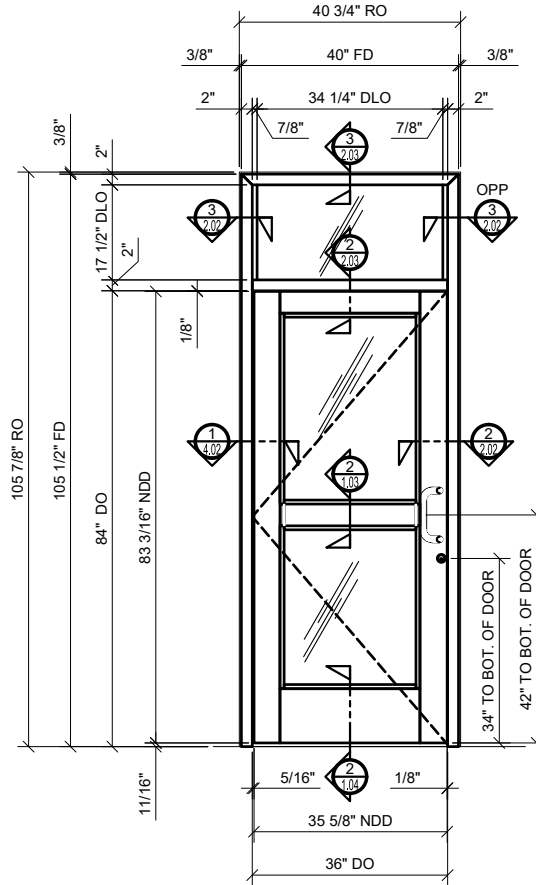
3.02



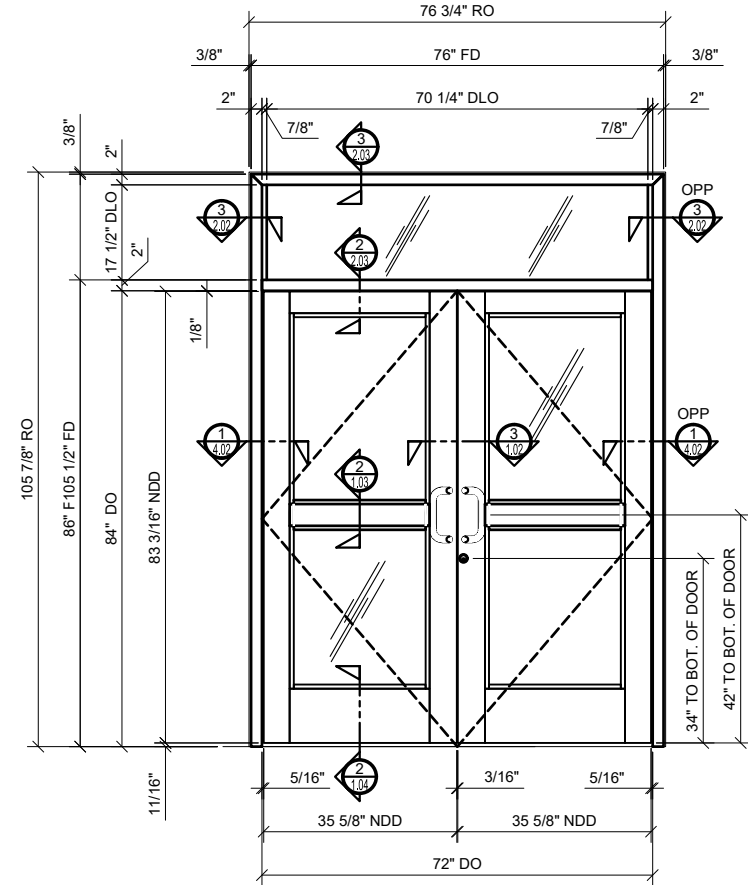
**5** SINGLE DOOR ELEVATION  
ARCH REF: NONE 3/4"=1'-0"



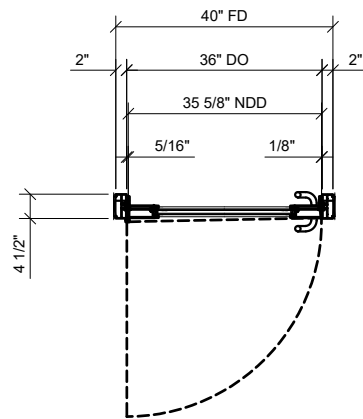
**6** DOUBLE DOOR ELEVATION  
ARCH REF: NONE 3/4"=1'-0"



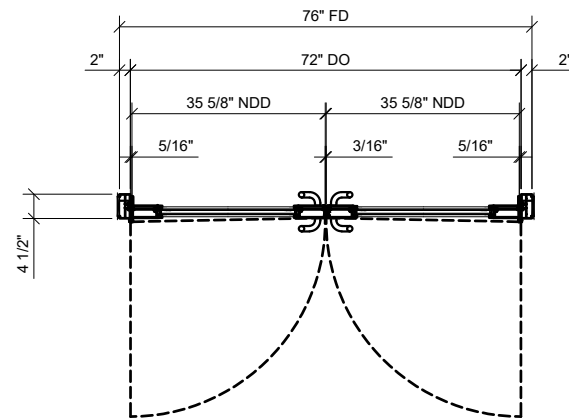
**7** SINGLE DOOR ELEVATION w/ TRANSOM  
ARCH REF: NONE 3/4"=1'-0"



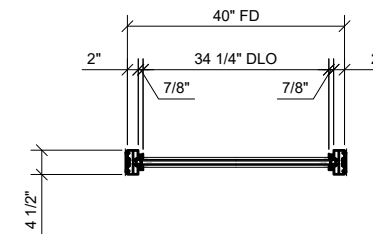
**8** DOUBLE DOOR ELEVATION  
ARCH REF: NONE 3/4"=1'-0"



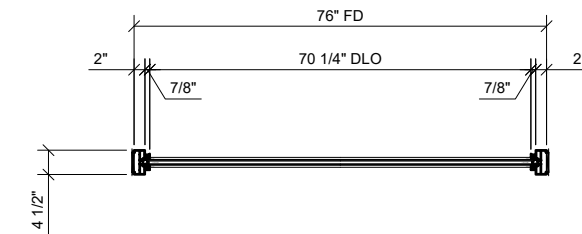
**1** SINGLE DOOR PLAN  
ARCH REF: NONE 3/4"=1'-0"



**2** DOUBLE DOOR PLAN  
ARCH REF: NONE 3/4"=1'-0"



**3** TRANSOM PLAN ABOVE SINGLE DOOR  
ARCH REF: NONE 3/4"=1'-0"



**4** TRANSOM PLAN ABOVE DOUBLE DOOR  
ARCH REF: NONE 3/4"=1'-0"

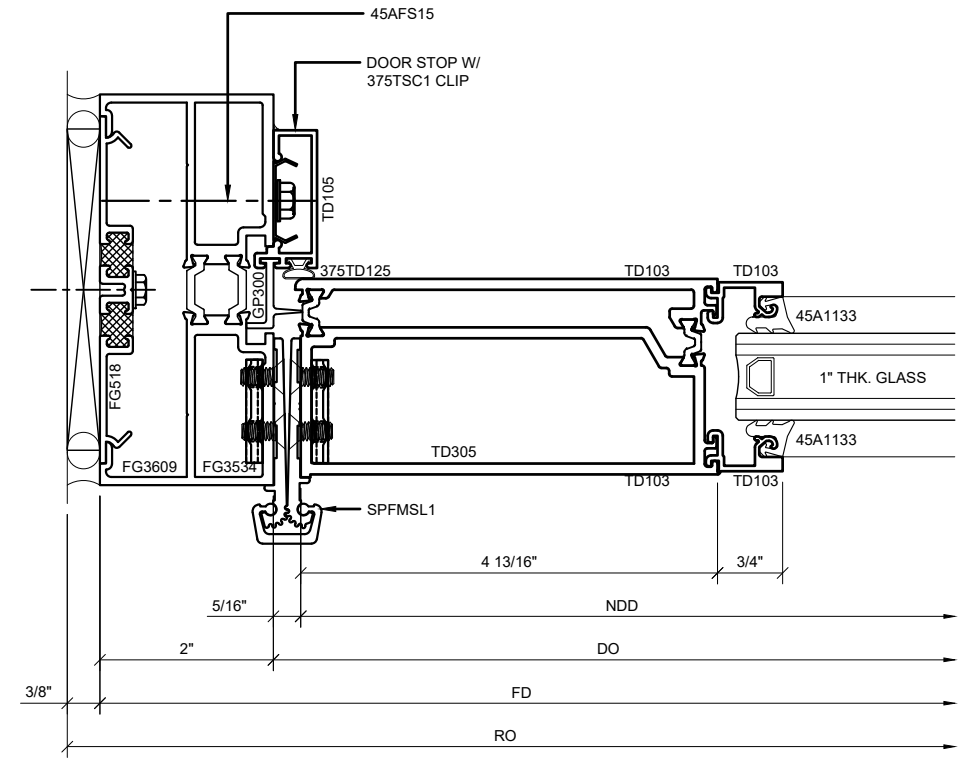
Description:  
CRL 500TC  
DOORS

Drawn By: RPD  
Date: 05/01/18  
Scale: AS NOTED  
File Name: CRL 500TC.dwg

Sheet

Revisions By:

**CRL ALUMINUM**  
 C.R. LAURENCE CO. ARCHITECTURAL PRODUCTS  
 2503 E. Vernon Avenue, Los Angeles, CA 90058-1897  
 PH (800)-421-6144 FX: 800-587-7501 www.crlaurence.com



**① SERIES 500TC DOOR JAMB DETAIL (HINGE SIDE)**

ARCH REF: 1'-0"=1'-0"

Description:  
 CRL 500TC  
 DOORS

Drawn By: RPD  
 Date: 05/01/18  
 Scale: AS NOTED  
 File Name:  
 CRL 500TC.dwg

Sheet