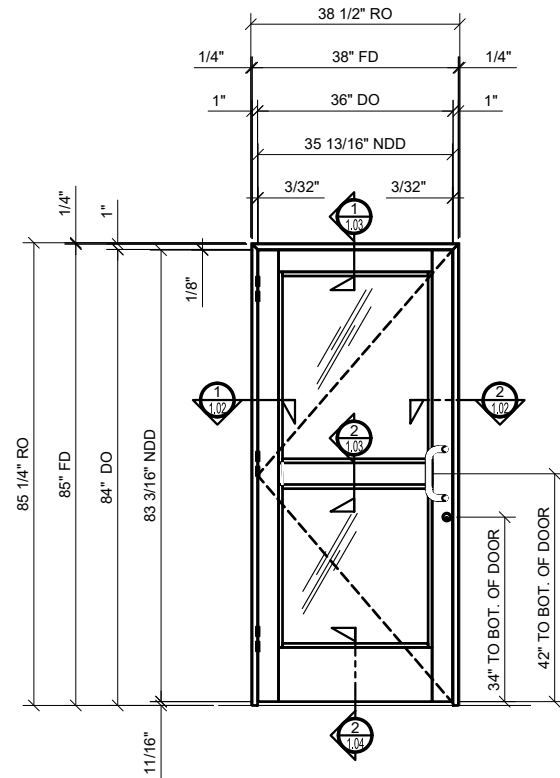


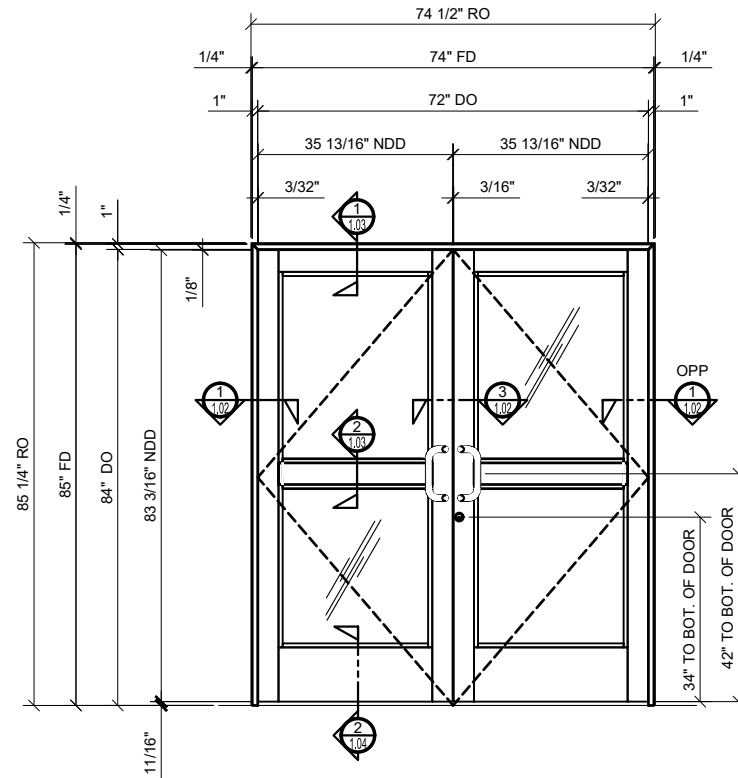


SERIES 375TC DOORS

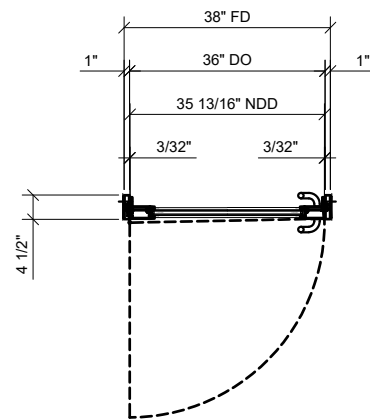
WITH SERIES 375TC MEDIUM STILE, 10" BOTTOM RAIL A.D.A. COMPLIANT,
1" SUBFRAME, 375TBH, OFFSET PIVOT STILE, LEAD STILE



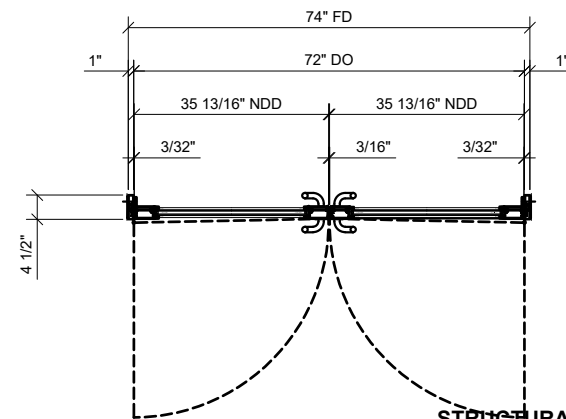
③ SINGLE DOOR ELEVATION
ARCH REF: NONE 3/4"=1'-0"



④ DOUBLE DOOR ELEVATION
ARCH REF: NONE 3/4"=1'-0"



① SINGLE DOOR PLAN
ARCH REF: NONE 3/4"=1'-0"



② DOUBLE DOOR PLAN
ARCH REF: NONE

STRUCTURAL DISCLAIMER:
ALL CUSTOMERS WHO IN ANY WAY UTILIZE THIS PRODUCT ARE SOLELY RESPONSIBLE TO CONSULT A STRUCTURAL ENGINEER TO DETERMINE THE SUITABILITY OF THE PRODUCT FOR THE INTENDED USE AND SITE CONDITIONS. ALL INSTALLERS MUST BE QUALIFIED AND HAVE PROFESSIONAL KNOWLEDGE ABOUT COMPLIANCE WITH LOCAL, STATE AND FEDERAL REGULATIONS, SAFETY FACTORS, AND THE APPROPRIATE CHOICE OF FIXING MATERIAL AND PROCEDURES.

Revisions By:



C.R. LAURENCE CO. ARCHITECTURAL PRODUCTS
2503 E. Vernon Avenue, Los Angeles, CA 90058-1897
PH (800)-421-6144 FX: 800-587-7501 www.crlaurence.com

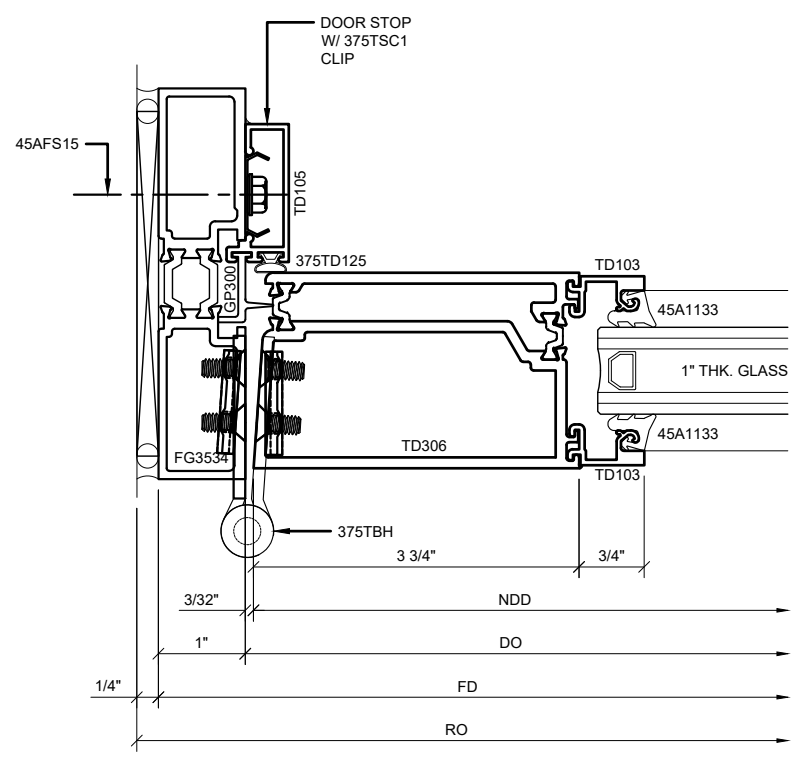
Description:
CRL 375TC
DOORS

Drawn By: RPD
Date: 05/01/18
Scale: AS NOTED
File Name: CRL 375TC.dwg

Sheet

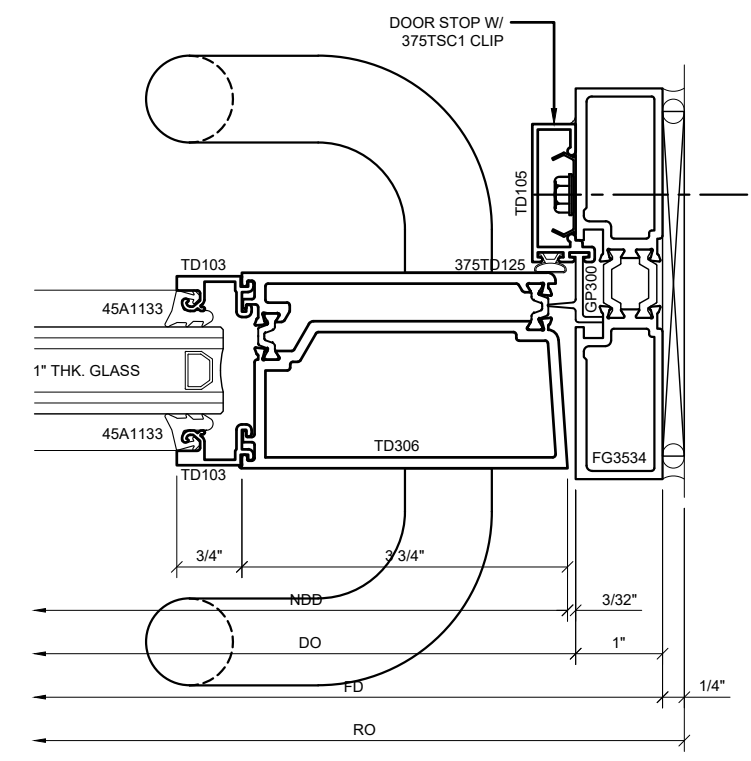
Revisions By:

CRL ALUMINUM
C.R. LAURENCE CO. ARCHITECTURAL PRODUCTS
2503 E. Vernon Avenue, Los Angeles, CA 90058-1897
PH (800)-421-6144 FX: 800-587-7501 www.crlaurence.com



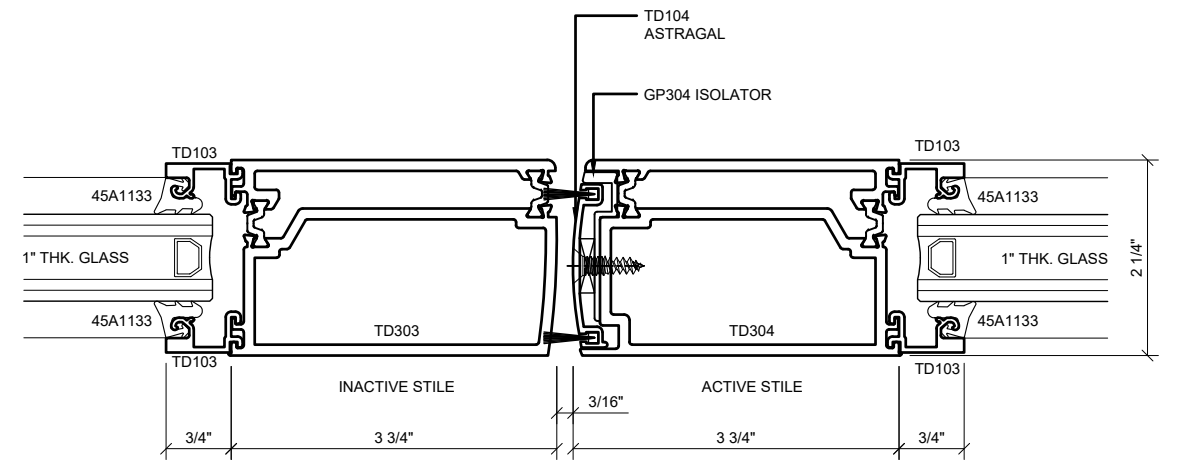
① SERIES 375TC DOOR JAMB DETAIL (HINGE SIDE)

ARCH REF: 1'-0"=1'-0"



② SERIES 375TC DOOR JAMB DETAIL (STRIKE SIDE)

ARCH REF: 1'-0"=1'-0"



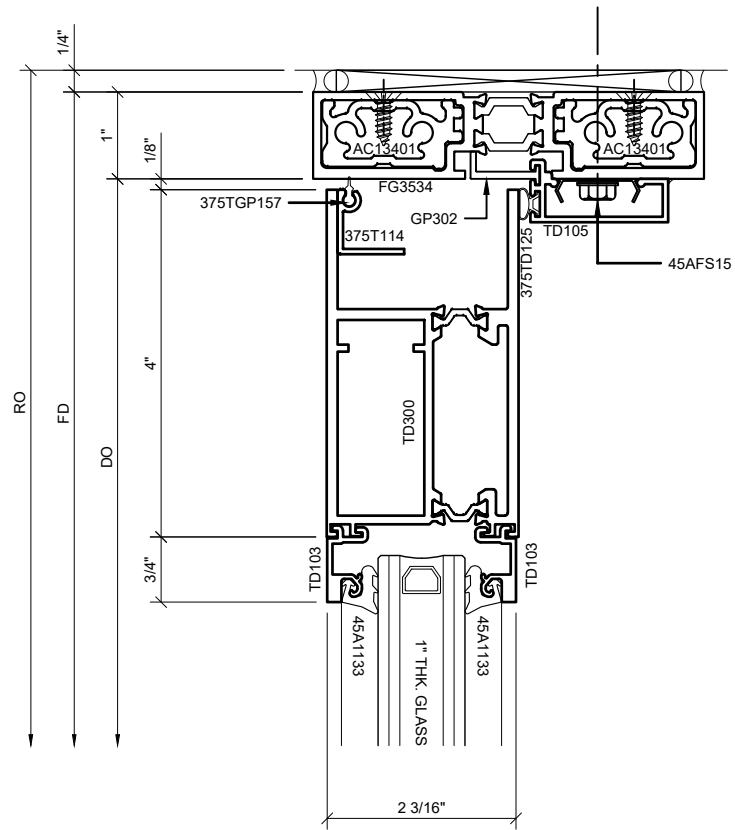
③ SERIES 375TC DOOR DETAIL (@ MEETING STILES)

ARCH REF: 1'-0"=1'-0"

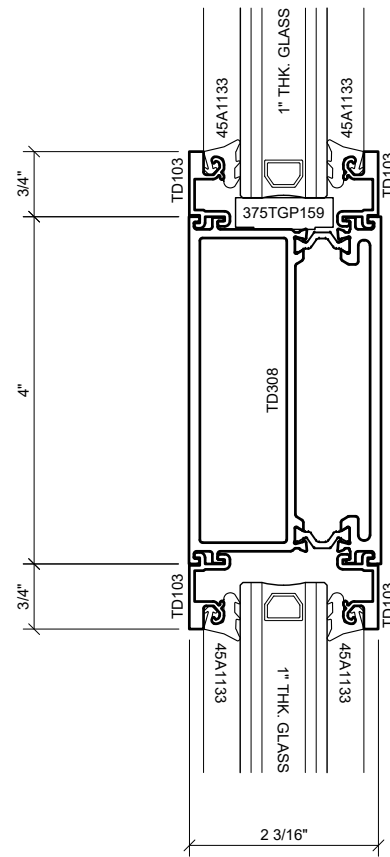
Description:
CRL 375TC
DOORS

Drawn By: RPD
Date: 05/01/18
Scale: AS NOTED
File Name: CRL 375TC.dwg

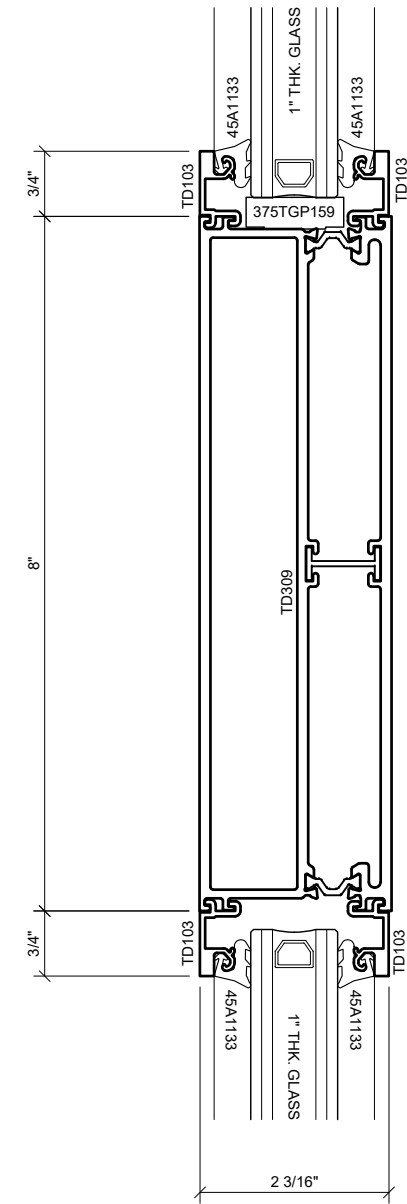
Sheet



① SERIES 375TC DOOR SUBFRAME HEAD DETAIL
 ARCH REF: 1'-0"=1'-0"



② SERIES 375TC DOOR MID-RAIL DETAIL
 ARCH REF: 1'-0"=1'-0"



③ SERIES 375TC DOOR MID-RAIL DETAIL
 ARCH REF: 1'-0"=1'-0"

Revisions By:



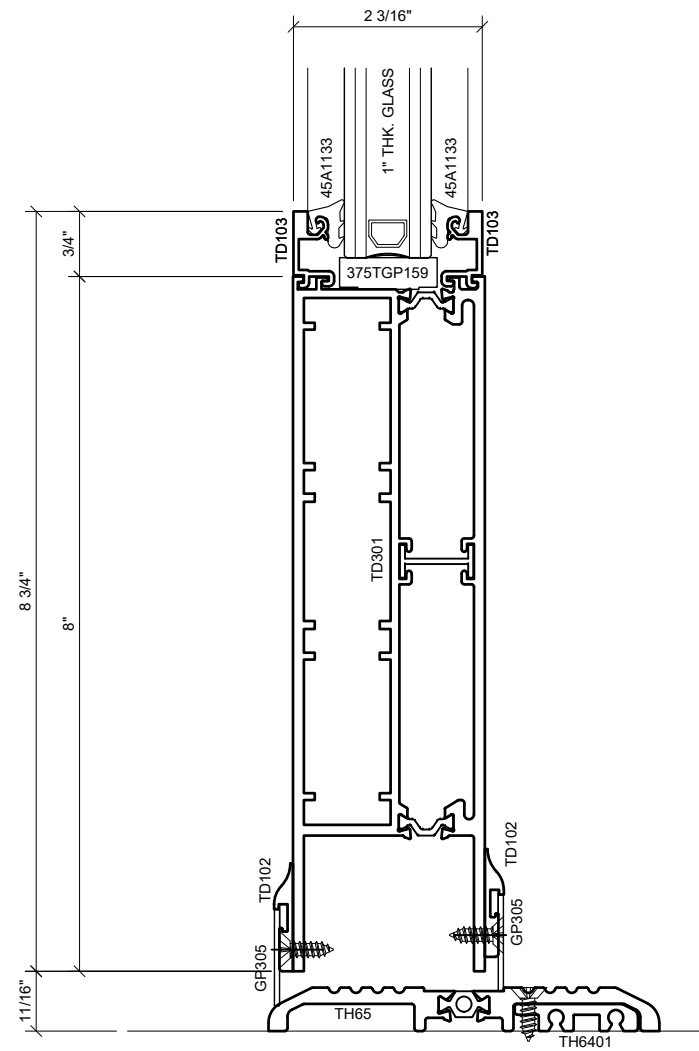
C.R. LAURENCE CO. ARCHITECTURAL PRODUCTS
 2503 E. Vernon Avenue, Los Angeles, CA 90058-1897
 PH (800)-421-6144 FX: 800-587-7501 www.crlaurence.com

Description:
 CRL 375TC
 DOORS

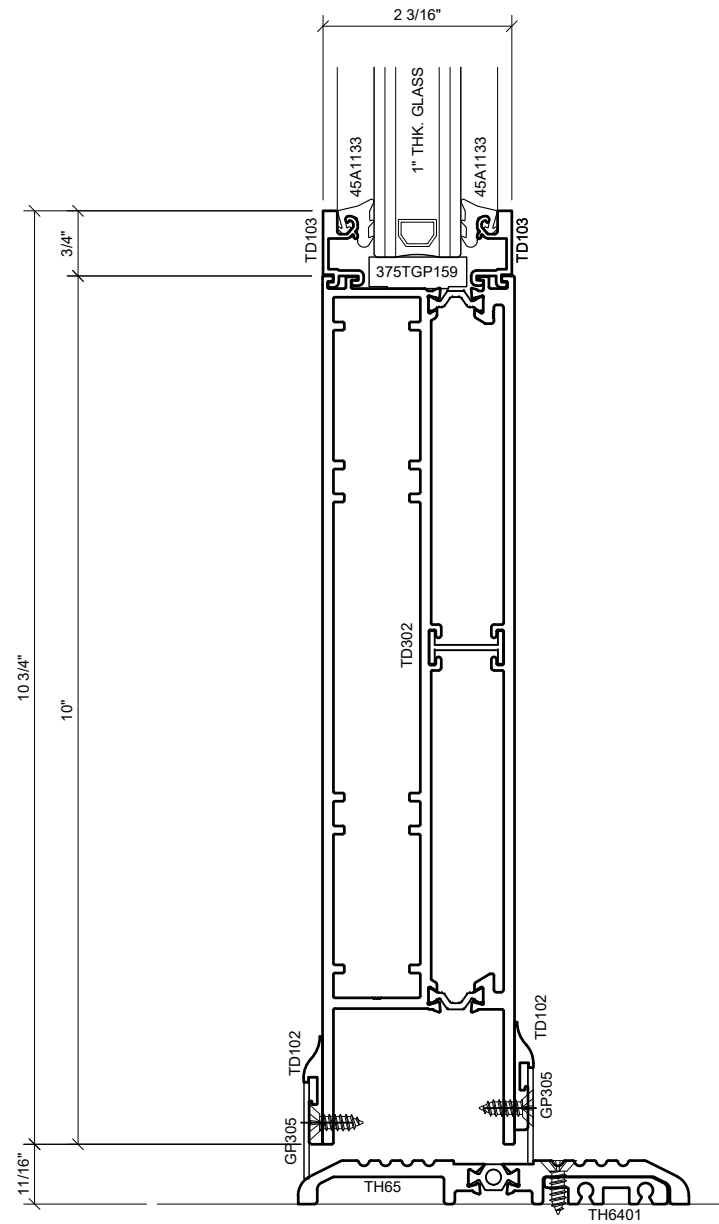
Drawn By: RPD
 Date: 05/01/18
 Scale: AS NOTED
 File Name:
 CRL 375TC.dwg

Sheet

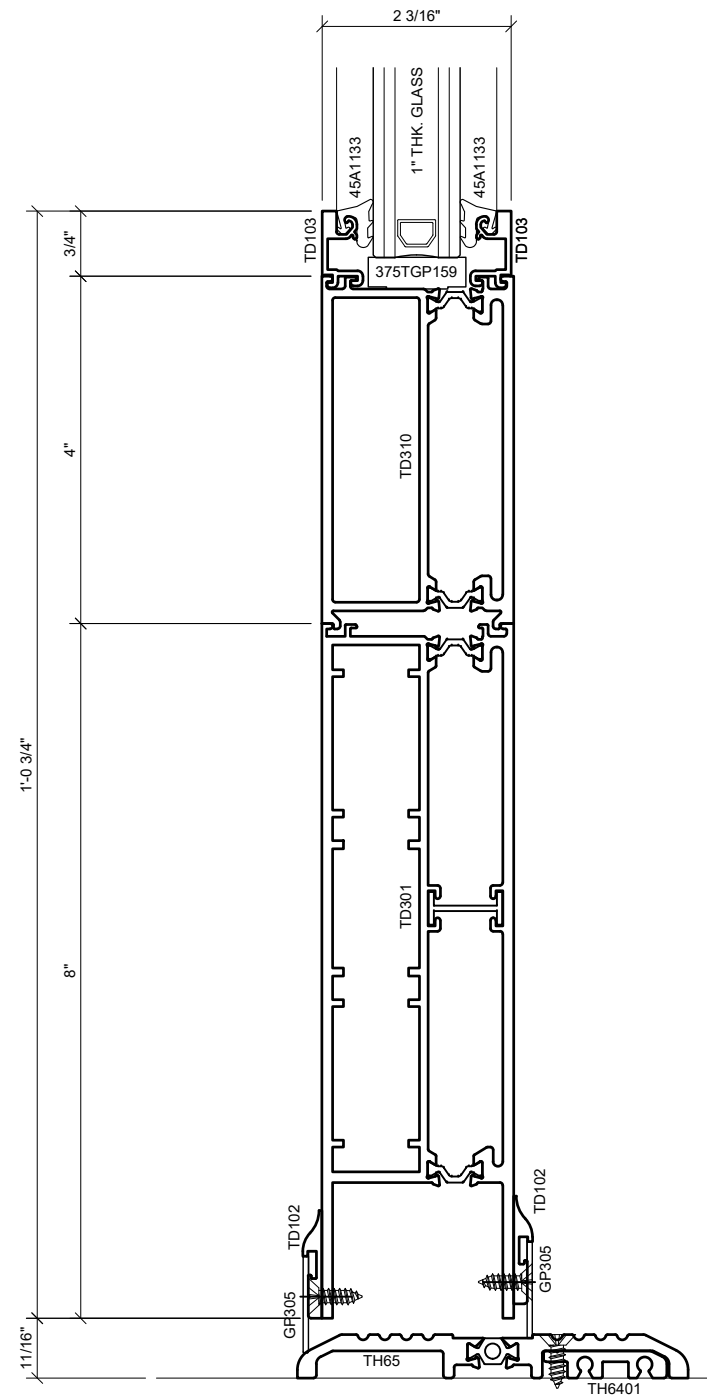
1.03



① SERIES 375TC DOOR DETAIL (w/ 8" BOTTOM RAIL)
 ARCH REF: 1'-0"=1'-0"



② SERIES 375TC DOOR DETAIL (w/ 10" BOTTOM RAIL)
 ARCH REF: 1'-0"=1'-0"



③ SERIES 375TC DOOR DETAIL (w/ 12" BOTTOM RAIL)
 ARCH REF: 1'-0"=1'-0"

Revisions By:



C.R. LAURENCE CO. ARCHITECTURAL PRODUCTS
 2503 E. Vernon Avenue, Los Angeles, CA 90058-1897
 PH (800)-421-6144 FX: 800-587-7501 www.crlaurence.com

Description:
 CRL 375TC
 DOORS

Drawn By: RPD
 Date: 05/01/18
 Scale: AS NOTED
 File Name:
 CRL 375TC.dwg

Sheet

1.04



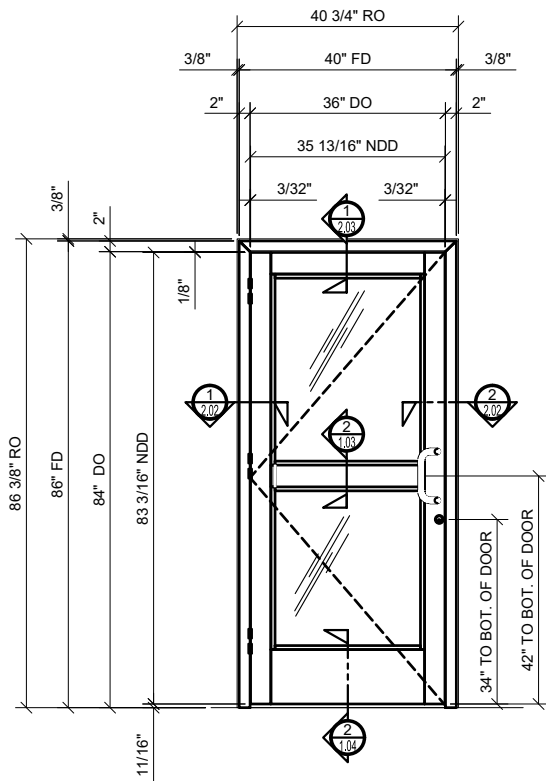
SERIES 375TC DOORS

WITH SERIES 375TC MEDIUM STILE, 10" BOTTOM RAIL A.D.A. COMPLIANT, 2" SUBFRAME, 375TBH, OFFSET PIVOT STILE, LEAD STILE

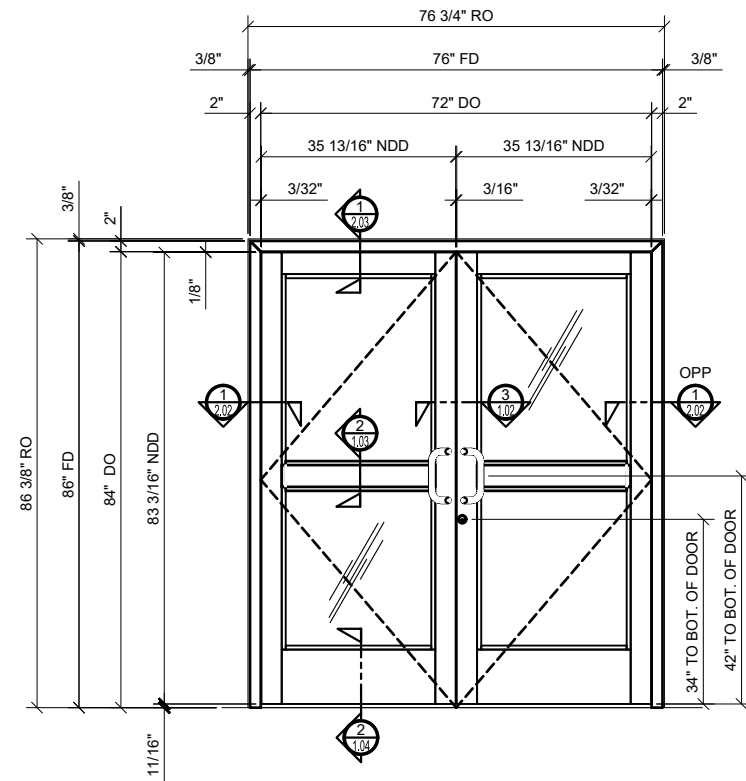
Revisions By:



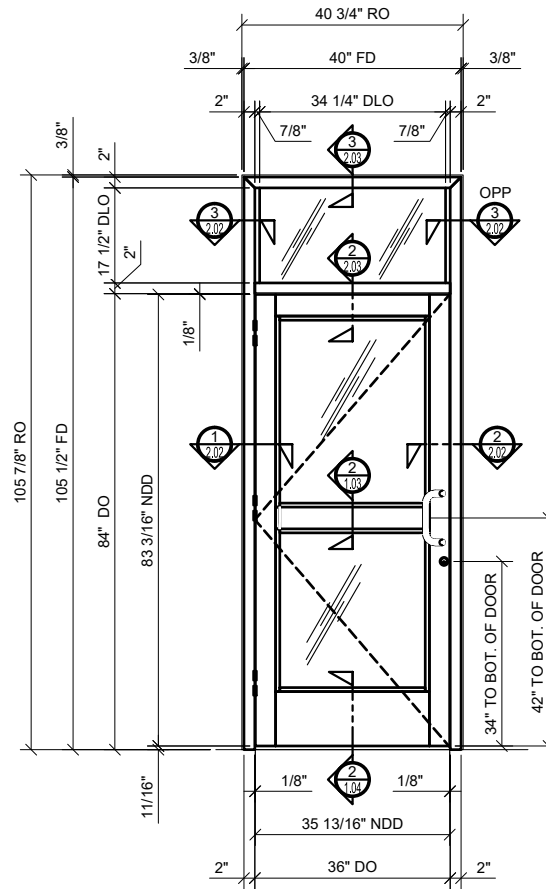
C.R. LAURENCE CO. ARCHITECTURAL PRODUCTS
2503 E. Vernon Avenue, Los Angeles, CA 90058-1897
PH (800)-421-6144 FX: 800-587-7501 www.crlaurence.com



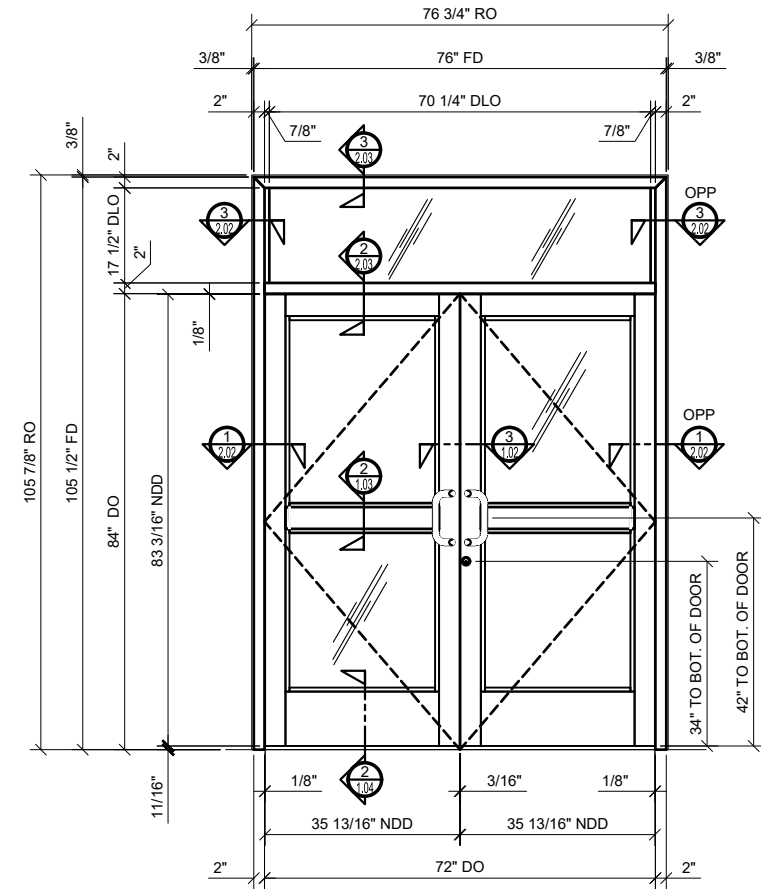
5 SINGLE DOOR ELEVATION
ARCH REF: NONE 3/4"=1'-0"



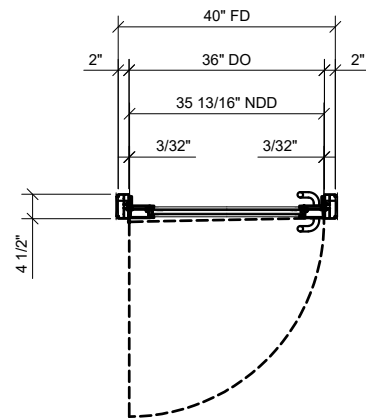
6 DOUBLE DOOR ELEVATION
ARCH REF: NONE 3/4"=1'-0"



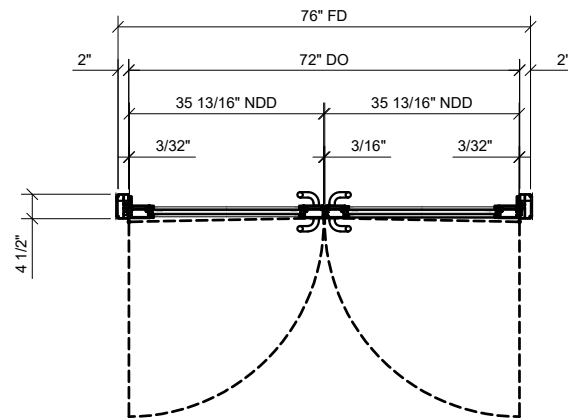
7 SINGLE DOOR ELEVATION w/ TRANSOM
ARCH REF: NONE 3/4"=1'-0"



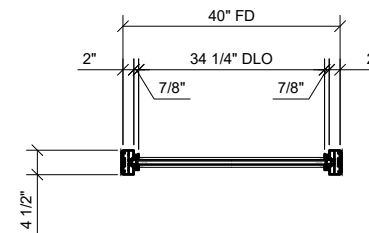
8 DOUBLE DOOR ELEVATION
ARCH REF: NONE 3/4"=1'-0"



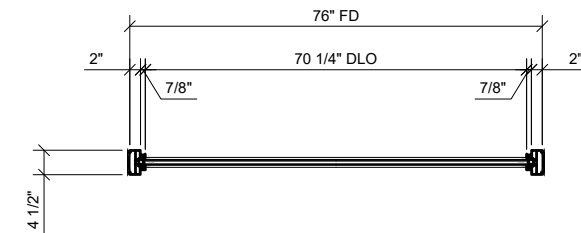
1 SINGLE DOOR PLAN
ARCH REF: NONE 3/4"=1'-0"



2 DOUBLE DOOR PLAN
ARCH REF: NONE 3/4"=1'-0"



3 TRANSOM PLAN ABOVE SINGLE DOOR
ARCH REF: NONE 3/4"=1'-0"

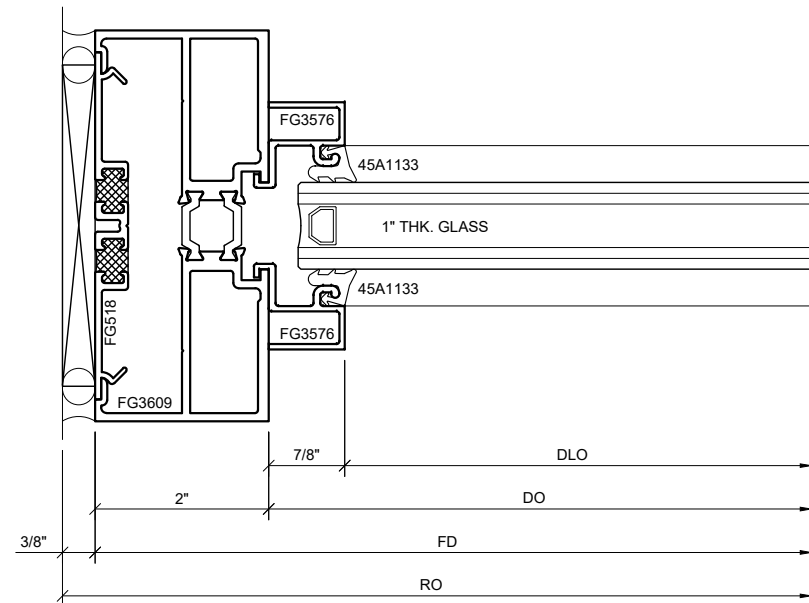


4 TRANSOM PLAN ABOVE DOUBLE DOOR
ARCH REF: NONE 3/4"=1'-0"

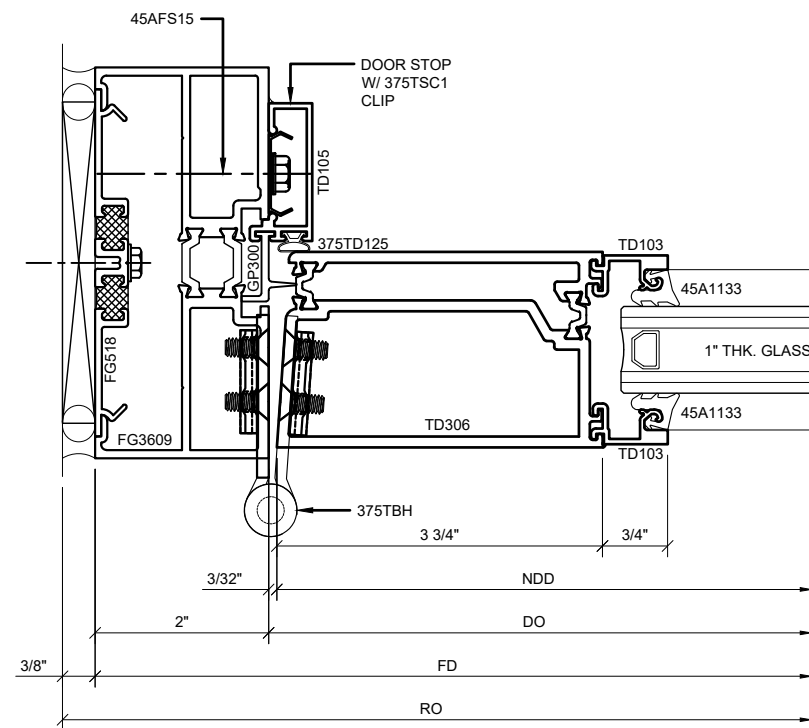
Description:
CRL 375TC
DOORS

Drawn By: RPD
Date: 05/01/18
Scale: AS NOTED
File Name: CRL 375TC.dwg

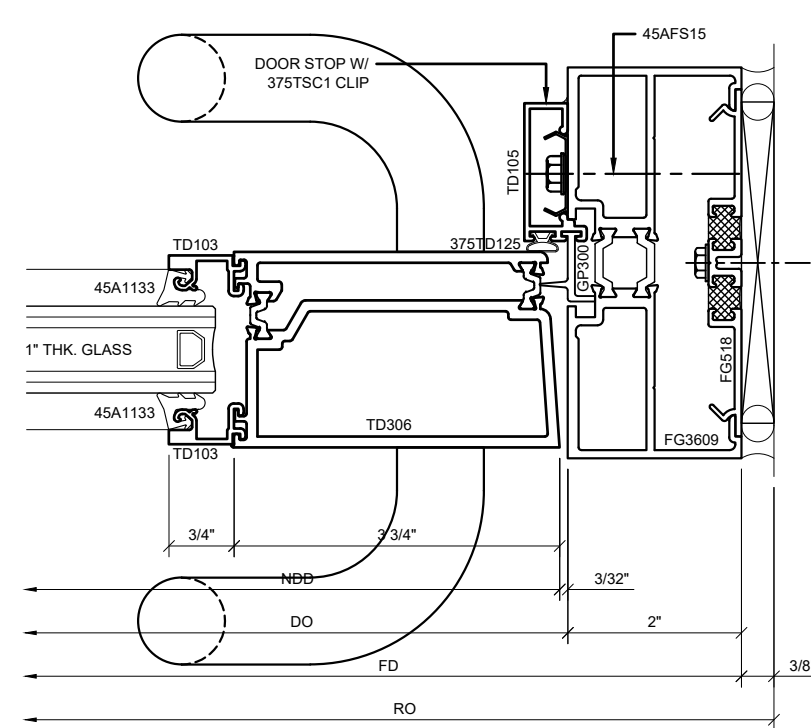
Sheet



③ SERIES 375TC TRANSOM JAMB DETAIL
 ARCH REF: 1'-0"=1'-0"



① SERIES 375TC DOOR JAMB DETAIL (HINGE SIDE)
 ARCH REF: 1'-0"=1'-0"



② SERIES 375TC DOOR JAMB DETAIL (STRIKE SIDE)
 ARCH REF: 1'-0"=1'-0"

Revisions By:



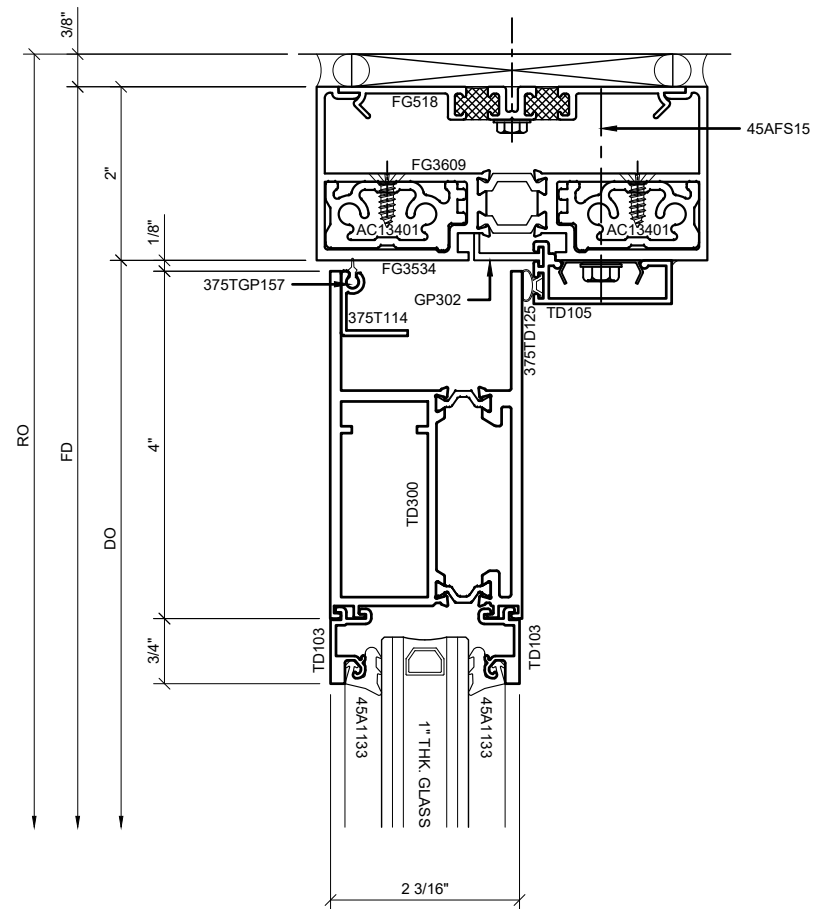
C.R. LAURENCE CO. ARCHITECTURAL PRODUCTS
 2503 E. Vernon Avenue, Los Angeles, CA 90058-1897
 PH (800)-421-6144 FX: 800-587-7501 www.crlaurence.com

Description:
 CRL 375TC
 DOORS

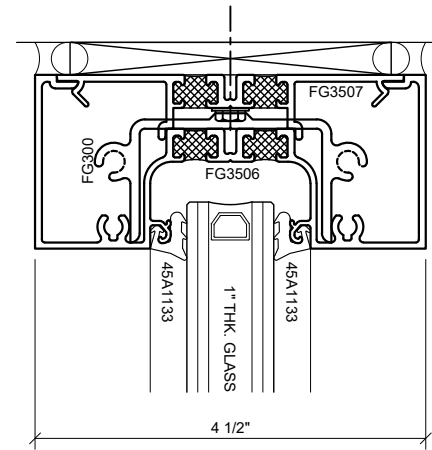
Drawn By: RPD
 Date: 05/01/18
 Scale: AS NOTED
 File Name: CRL 375TC.dwg

Sheet

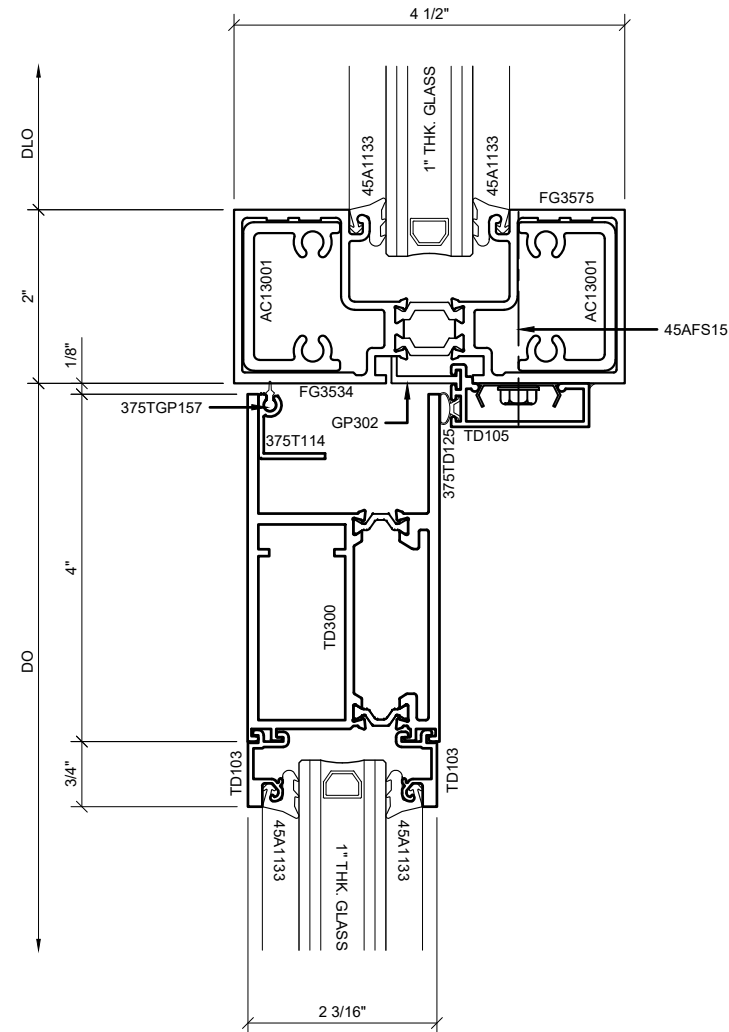
2.02



① SERIES 375TC DOOR SUBFRAME HEAD DETAIL
 ARCH REF: 1'-0"=1'-0"



③ SERIES 375TC TRANSOM HEAD DETAIL
 ARCH REF: 1'-0"=1'-0"



② SERIES 375TC DOOR SUBFRAME HEAD DETAIL (@ TRANSOM)
 ARCH REF: 1'-0"=1'-0"

Revisions By:



C.R. LAURENCE CO. ARCHITECTURAL PRODUCTS
 2503 E. Vernon Avenue, Los Angeles, CA 90058-1897
 PH (800)-421-6144 FX: 800-587-7501 www.crlaurence.com

Description:
 CRL 375TC
 DOORS

Drawn By: RPD
 Date: 05/01/18
 Scale: AS NOTED
 File Name: CRL 375TC.dwg

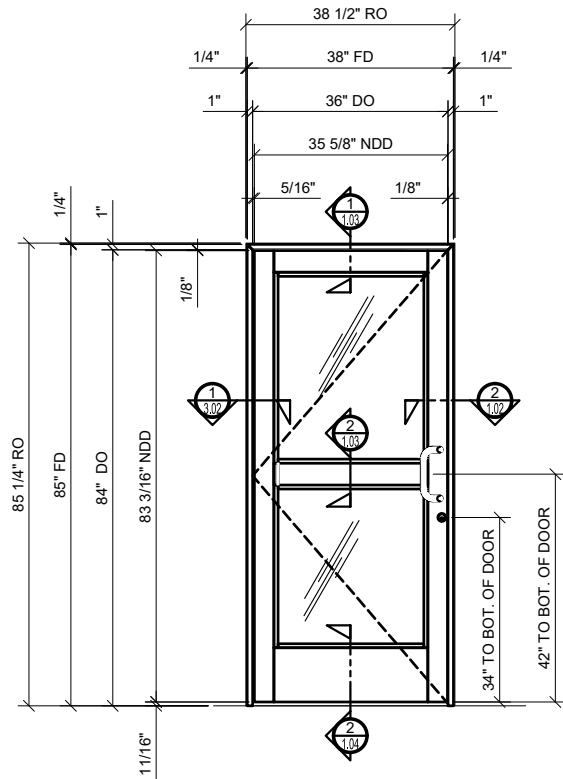
Sheet

2.03

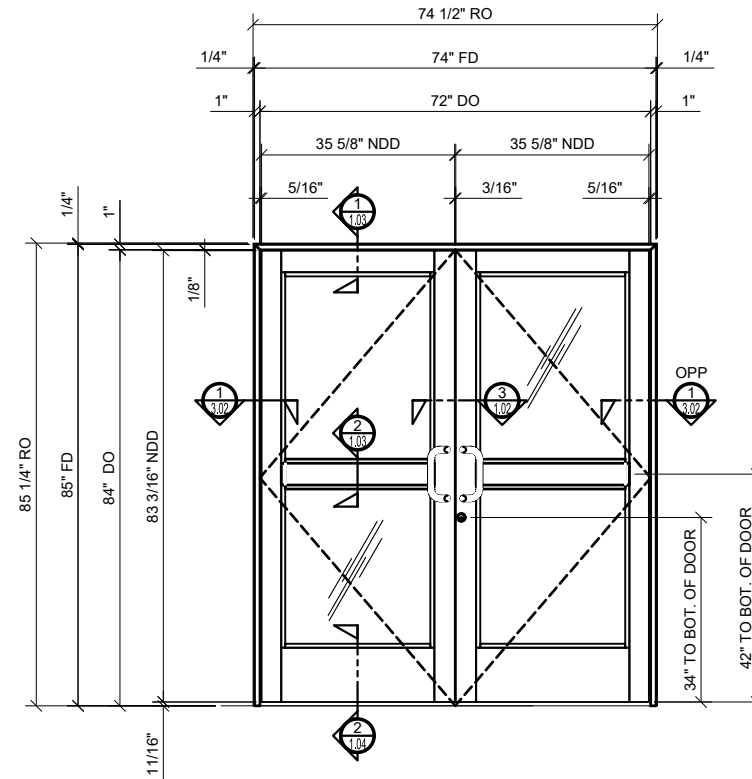


SERIES 375TC DOORS

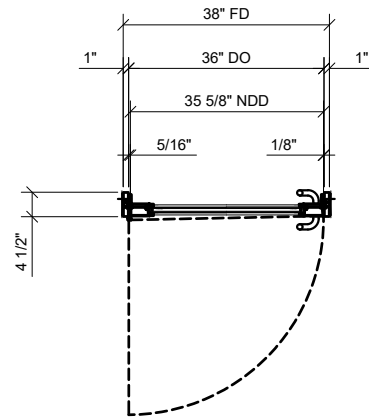
WITH SERIES 375TC MEDIUM STILE, 10" BOTTOM RAIL A.D.A. COMPLIANT,
1" SUBFRAME, SPFMSL1, OFFSET PIVOT STILE, LEAD STILE



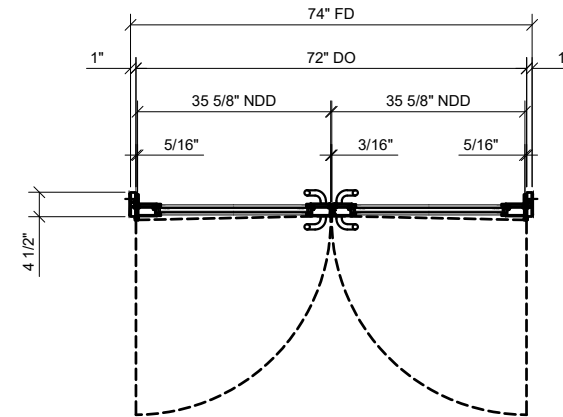
② SINGLE DOOR ELEVATION
ARCH REF: NONE 3/4"=1'-0"



④ DOUBLE DOOR ELEVATION
ARCH REF: NONE 3/4"=1'-0"



① SINGLE DOOR PLAN
ARCH REF: NONE 3/4"=1'-0"



③ DOUBLE DOOR PLAN
ARCH REF: NONE 3/4"=1'-0"

Revisions By:



Description:
CRL 375TC
DOORS

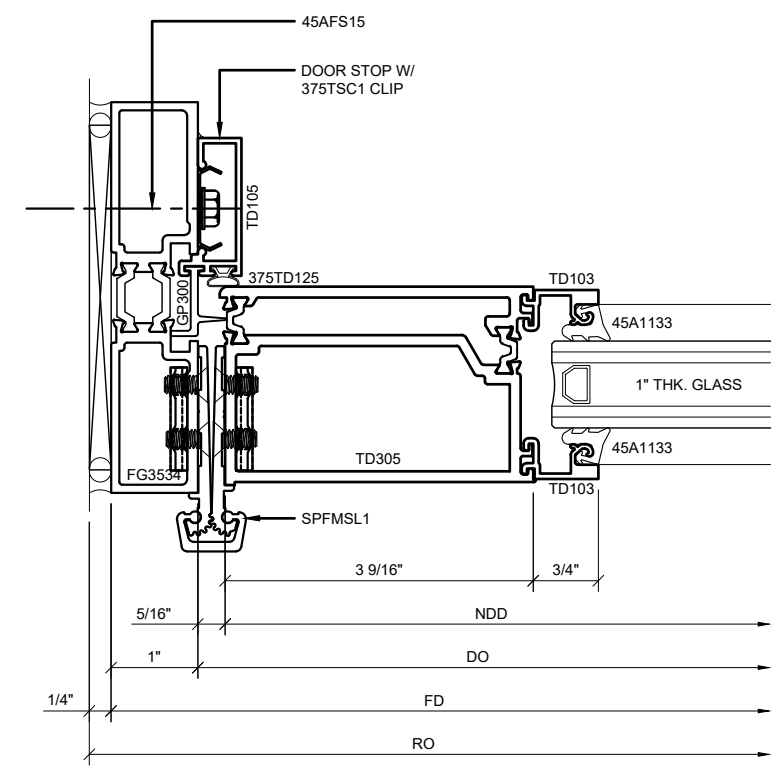
Drawn By: RPD
Date: 05/01/18
Scale: AS NOTED
File Name: CRL 375TC.dwg

Sheet

3.01

Revisions By:

CRL ALUMINUM
 C.R. LAURENCE CO. ARCHITECTURAL PRODUCTS
 2503 E. Vernon Avenue, Los Angeles, CA 90058-1897
 PH (800)-421-6144 FX: 800-587-7501 www.crlaurence.com



① SERIES 375TC DOOR JAMB DETAIL (HINGE SIDE)
 ARCH REF: _____ 1'-0"=1'-0"

Description:
 CRL 375TC
 DOORS

Drawn By: RPD
 Date: 05/01/18
 Scale: AS NOTED
 File Name:
 CRL 375TC.dwg

Sheet

3.02

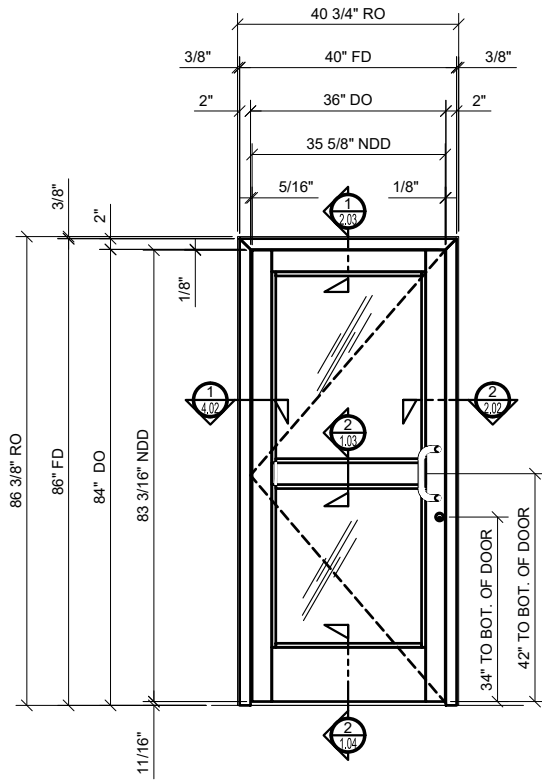


SERIES 375TC DOORS

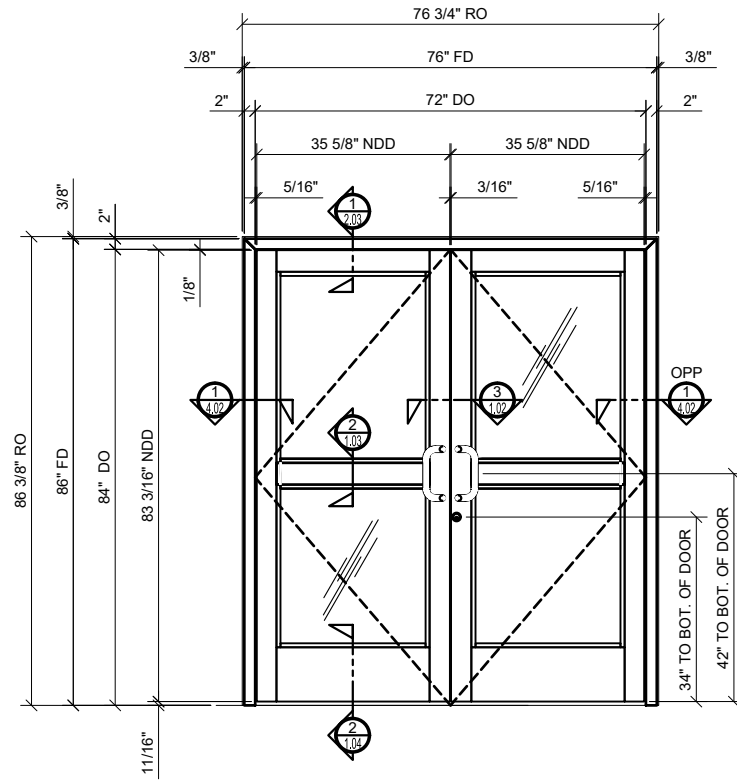
WITH SERIES 375TC MEDIUM STILE, 10" BOTTOM RAIL A.D.A. COMPLIANT, 2" SUBFRAME, SPFMSL1, OFFSET PIVOT STILE, LEAD STILE

Revisions By:

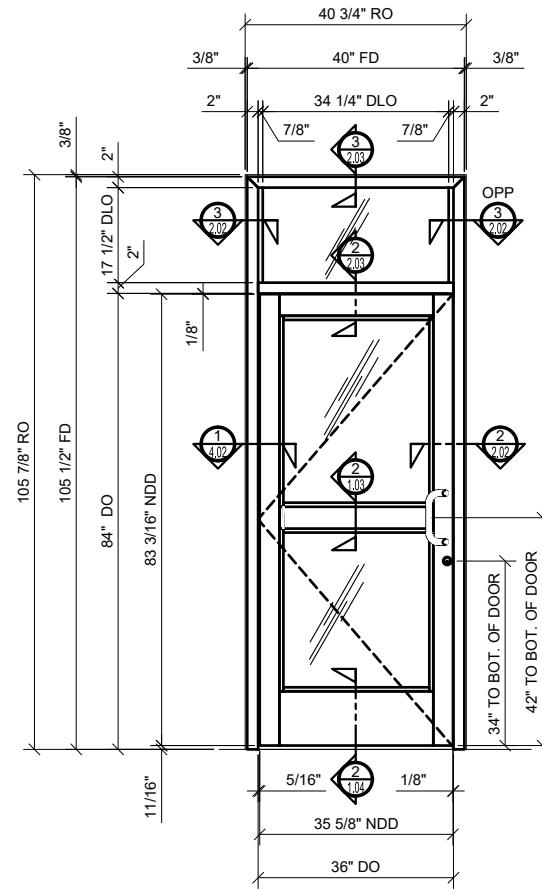
C.R. LAURENCE CO. ARCHITECTURAL PRODUCTS
2503 E. Vernon Avenue, Los Angeles, CA 90058-1897
PH (800)-421-6144 FX: 800-587-7501 www.crlaurence.com



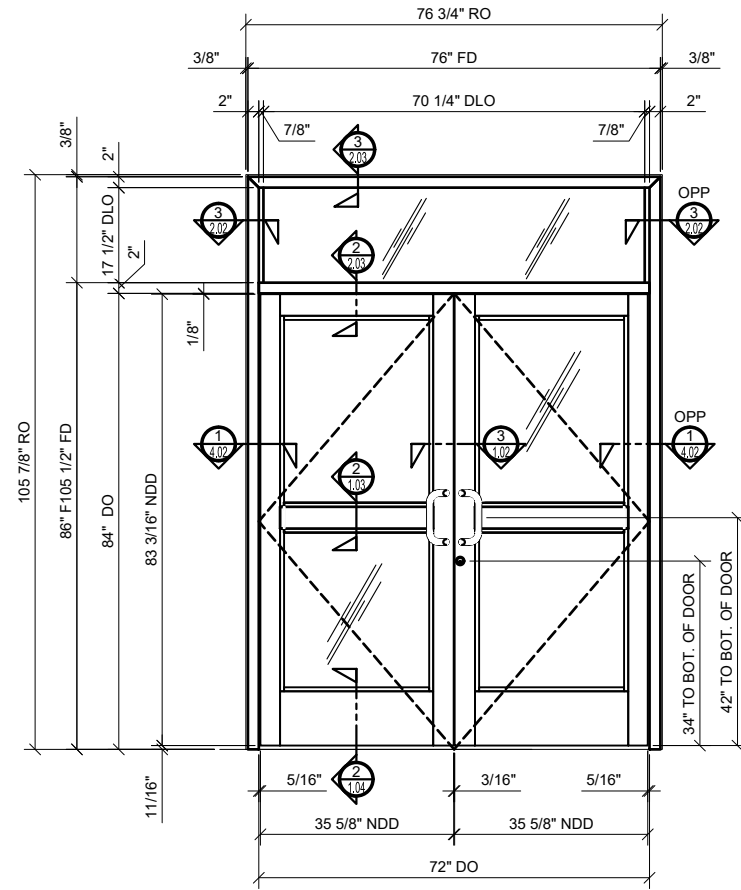
⑤ SINGLE DOOR ELEVATION
ARCH REF: NONE 3/4"=1'-0"



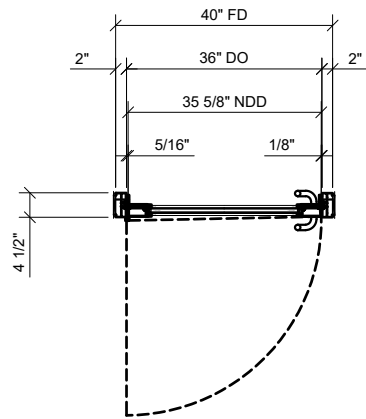
⑥ DOUBLE DOOR ELEVATION
ARCH REF: NONE 3/4"=1'-0"



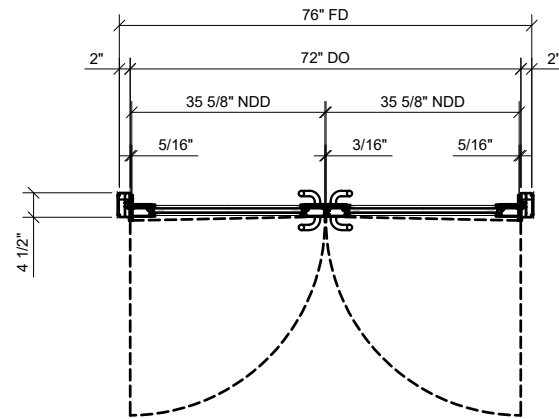
⑦ SINGLE DOOR ELEVATION w/ TRANSOM
ARCH REF: NONE 3/4"=1'-0"



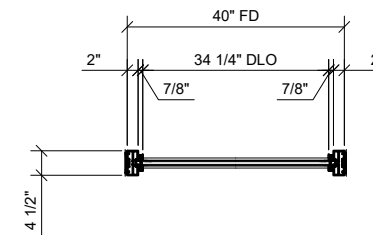
⑧ DOUBLE DOOR ELEVATION
ARCH REF: NONE 3/4"=1'-0"



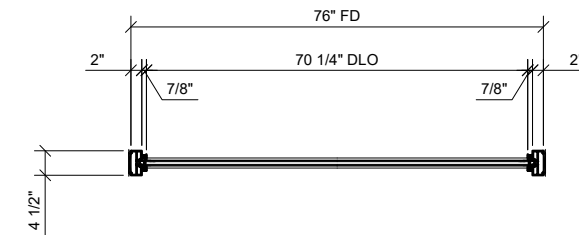
① SINGLE DOOR PLAN
ARCH REF: NONE 3/4"=1'-0"



② DOUBLE DOOR PLAN
ARCH REF: NONE 3/4"=1'-0"



③ TRANSOM PLAN ABOVE SINGLE DOOR
ARCH REF: NONE 3/4"=1'-0"



④ TRANSOM PLAN ABOVE DOUBLE DOOR
ARCH REF: NONE 3/4"=1'-0"

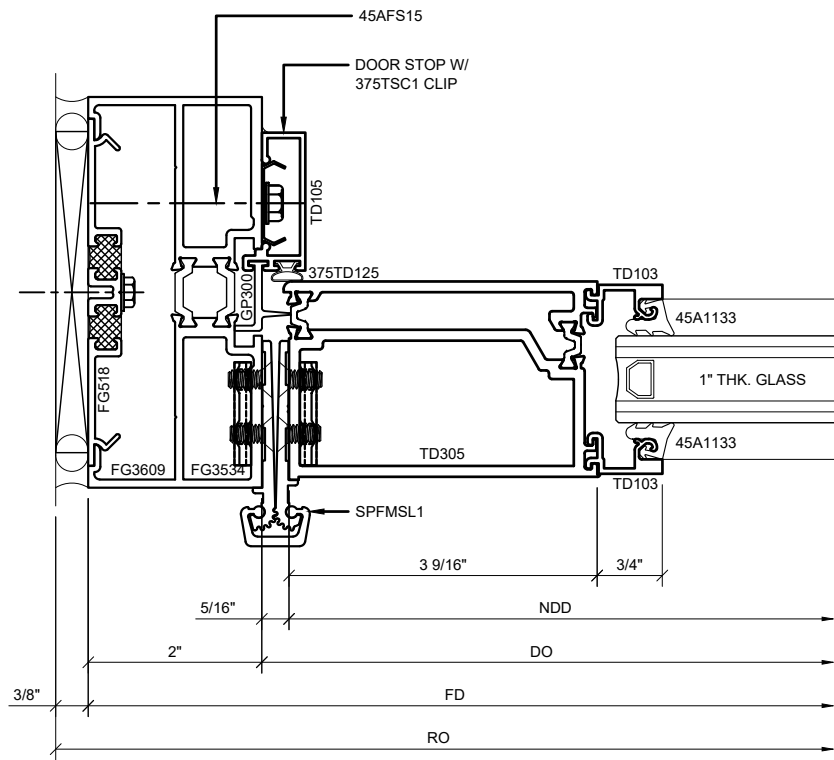
Description:
CRL 375TC
DOORS

Drawn By: RPD
Date: 05/01/18
Scale: AS NOTED
File Name: CRL 375TC.dwg

Sheet

Revisions By:

CRL ALUMINUM
 C.R. LAURENCE CO. ARCHITECTURAL PRODUCTS
 2503 E. Vernon Avenue, Los Angeles, CA 90058-1897
 PH (800)-421-6144 FX: 800-587-7501 www.crlaurence.com



① SERIES 375TC DOOR JAMB DETAIL (HINGE SIDE)

ARCH REF: _____ 1'-0"=1'-0"

Description:
 CRL 375TC
 DOORS

Drawn By: RPD
 Date: 05/01/18
 Scale: AS NOTED
 File Name: CRL 375TC.dwg

Sheet