

FIXED WINDOW - SERIES 8100

GLASS SIZING NOTE:
REFERENCE U.S. ALUMINUM
CATALOGS AND WEBSITE'S
LOAD CHARTS FOR SIZING
GUIDELINES.

1" = 1'-0"

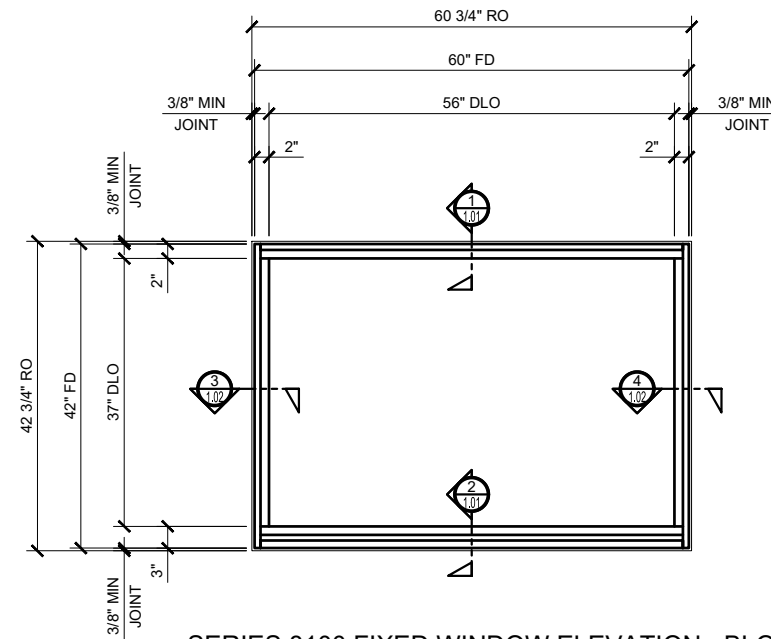
8100 SERIES SPECIFICATIONS

The Series 8100 Fixed Window has 4-1/2" (114) deep frame designed to match typical building conditions, including our entrances and storefronts. An efficient thermally insulated frame accepts 1" (25) glazing. Available in an array of architectural coatings and anodized finishes.

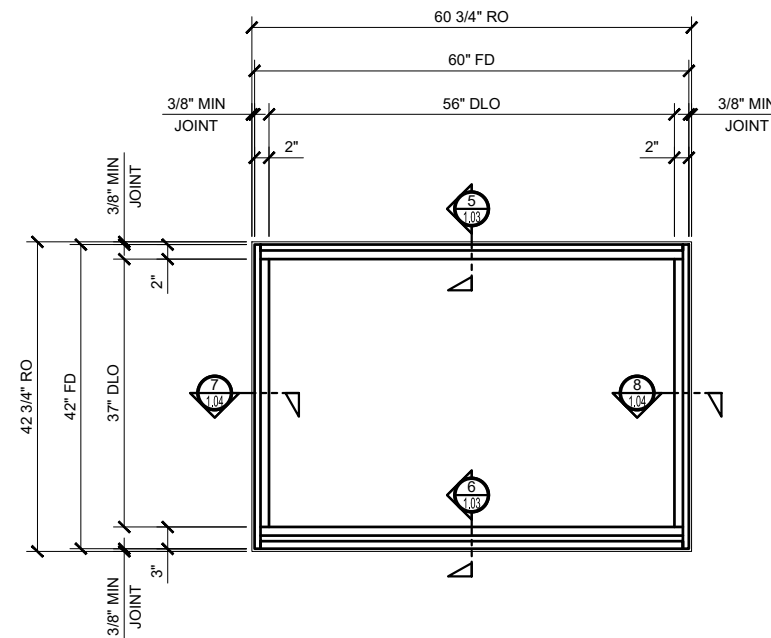
4 1/2" (114) Deep Frame to Match Typical Building Conditions
Tested to AAMA CW60
Accepts 1" (25) Glazing
Thermally Insulated - NFRC Certified
U-Factor as low as 0.34
Choice of Block or Fin Frame
Accessories Such as Mulling Bars, Subsills, Head and Jamb Channels are Available
Available in an Array of Architectural Coatings and Anodized Finishes

STRUCTURAL DISCLAIMER:

ALL CUSTOMERS WHO IN ANY WAY UTILIZE THIS PRODUCT ARE SOLELY RESPONSIBLE TO CONSULT A STRUCTURAL ENGINEER TO DETERMINE THE SUITABILITY OF THE PRODUCT FOR THE INTENDED USE AND SITE CONDITIONS. ALL INSTALLERS MUST BE QUALIFIED AND HAVE PROFESSIONAL KNOWLEDGE ABOUT COMPLIANCE WITH LOCAL, STATE AND FEDERAL REGULATIONS, SAFETY FACTORS, AND THE APPROPRIATE CHOICE OF FIXING MATERIAL AND PROCEDURES.



SERIES 8100 FIXED WINDOW ELEVATION - BLOCK INSTALL



SERIES 8100 FIXED WINDOW ELEVATION - FIN INSTALL

STANDARD ABBREVIATIONS

- RO ROUGH OPENING
- FD FRAME DIMENSION
- DLO DAYLIGHT OPENING
- DO DOOR OPENING
- DD DOOR DIMENSION
- SMC SURFACE MOUNTED CLOSER
- OHCC OVERHEAD CONCEALED CLOSER

Revisions By:

CRL
ALUMINUM
C.R. LAURENCE CO. ARCHITECTURAL PRODUCTS
2503 E. Vernon Avenue, Los Angeles, CA 90058-1897
PH (800)-421-6144 FX: 800-587-7501 www.crlaurence.com

Description:
CRL WINDOWS
FIXED WINDOW
SERIES 8100
FOR 1" GLASS

Drawn By: JMG

Date: 06/26/15

Scale: AS NOTED

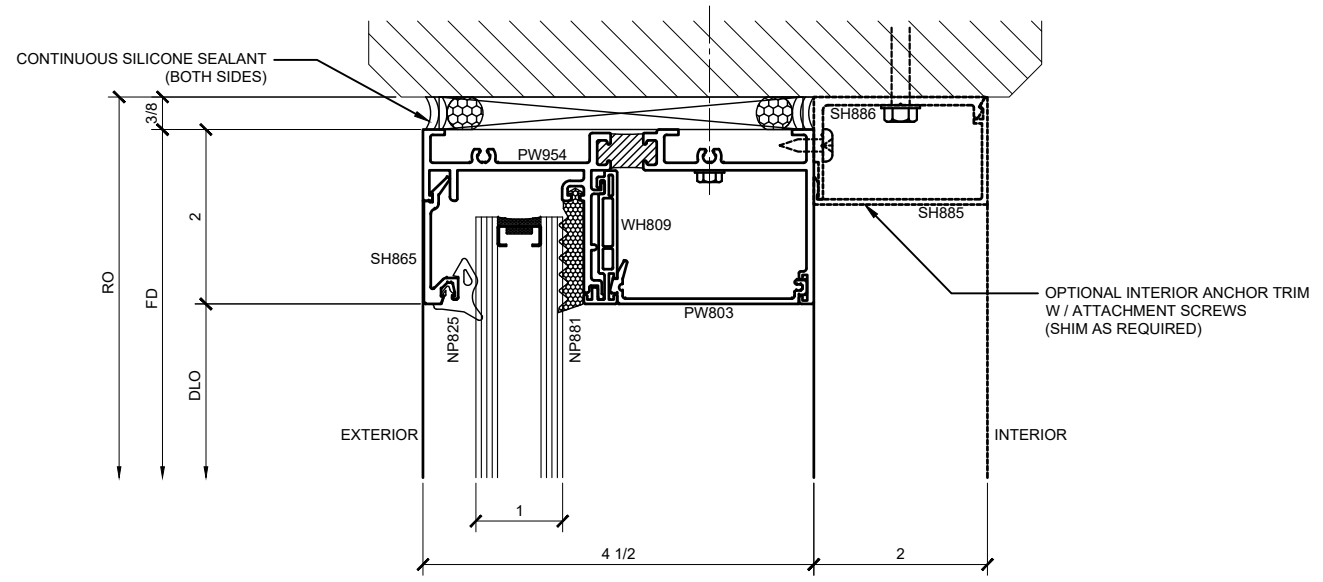
File Name:

8100.dwg

Sheet

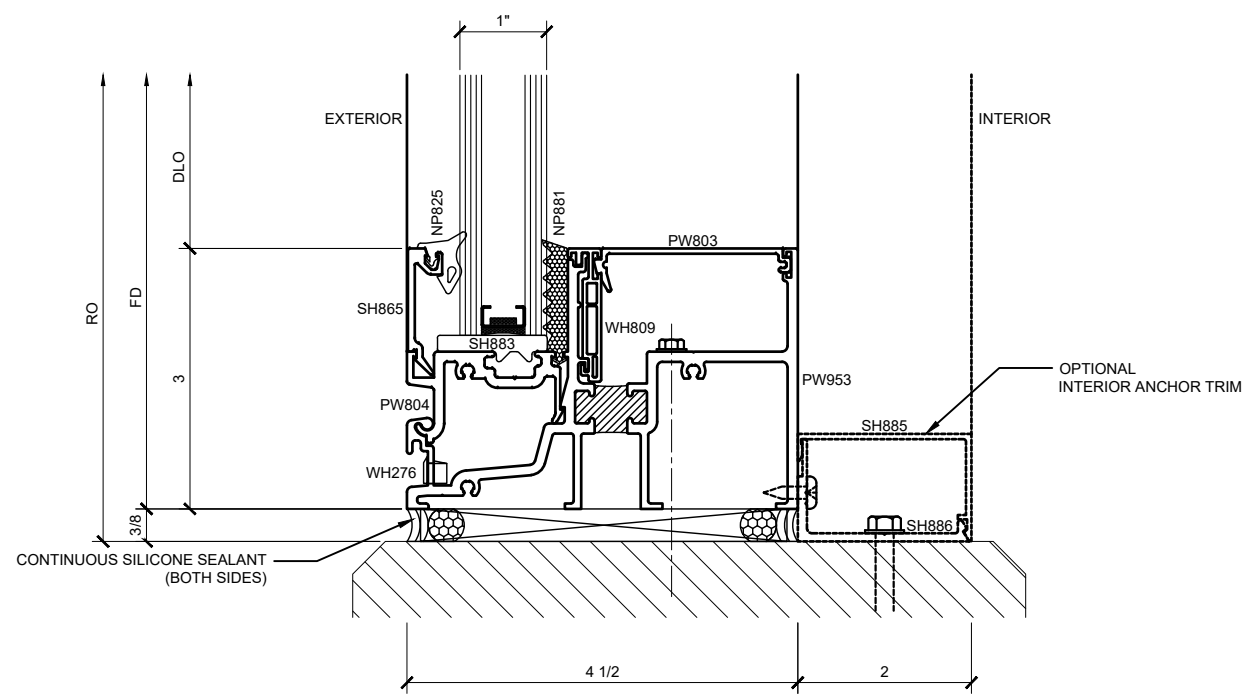
Revisions By:

CRL ALUMINUM
 C.R. LAURENCE CO. ARCHITECTURAL PRODUCTS
 2503 E. Vernon Avenue, Los Angeles, CA 90058-1897
 PH (800)-421-6144 FX: 800-587-7501 www.crlaurence.com



1 SECTION DETAIL AT HEAD

ARCH REF: N/A 1'-0"=1'-0"



2 SECTION DETAIL AT HEAD

ARCH REF: N/A 1'-0"=1'-0"

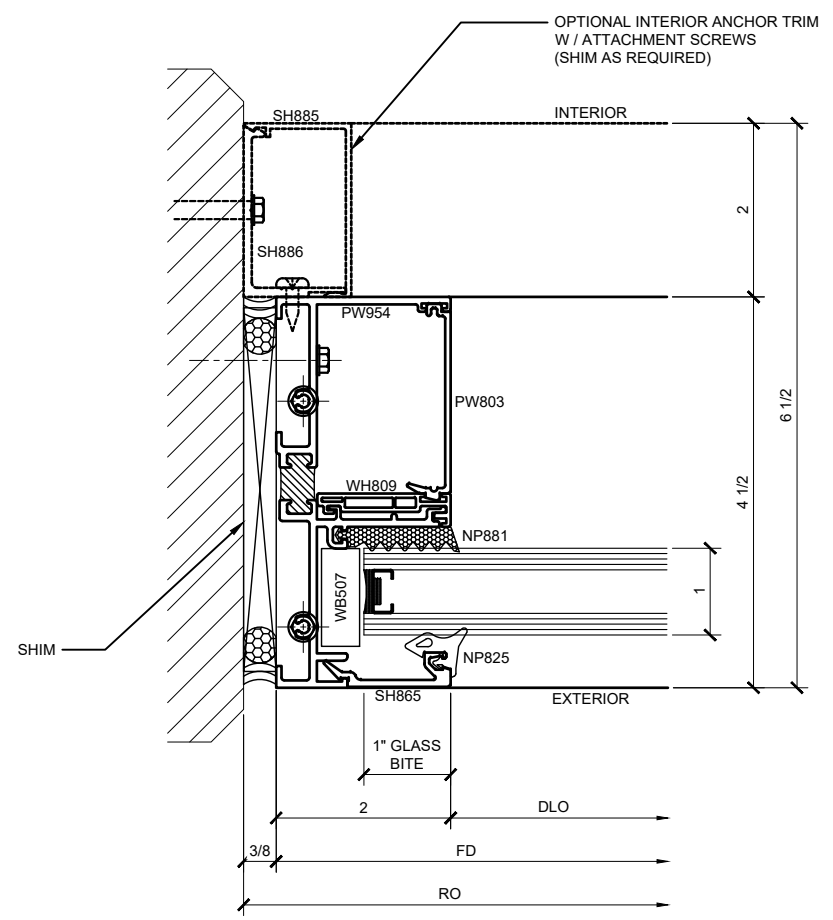
Description: CRL WINDOWS
FIXED WINDOW
SERIES 8100
FOR 1" GLASS

Drawn By:IMG
Date: 06/26/15
Scale: AS NOTED
File Name:
8100.dwg

Sheet

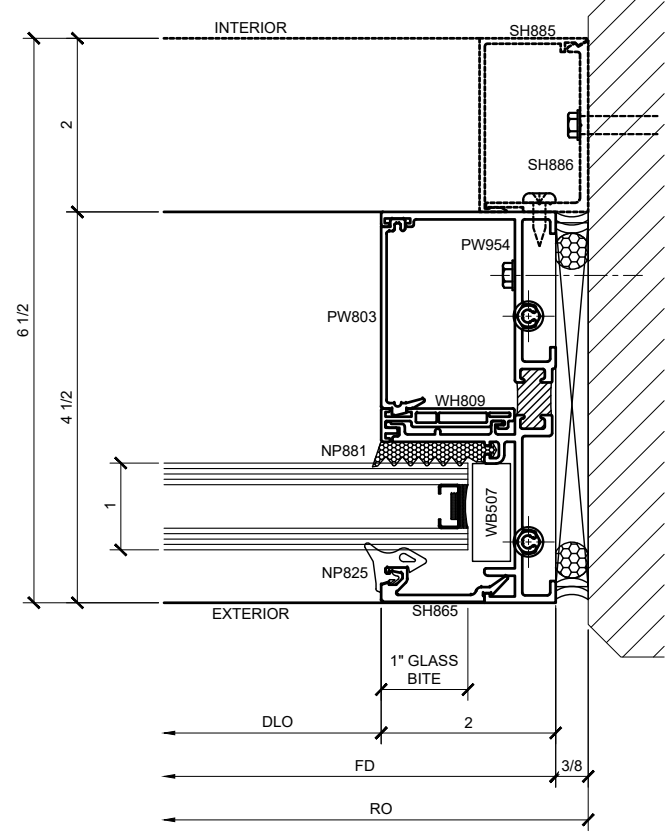
Revisions By:

CRL ALUMINUM
 C.R. LAURENCE CO. ARCHITECTURAL PRODUCTS
 2503 E. Vernon Avenue, Los Angeles, CA 90058-1897
 PH (800)-421-6144 FX: 800-587-7501 www.crlaurence.com



③ SECTION DETAIL AT JAMB

ARCH REF: N/A 1'-0"=1'-0"



④ SECTION DETAIL AT JAMB

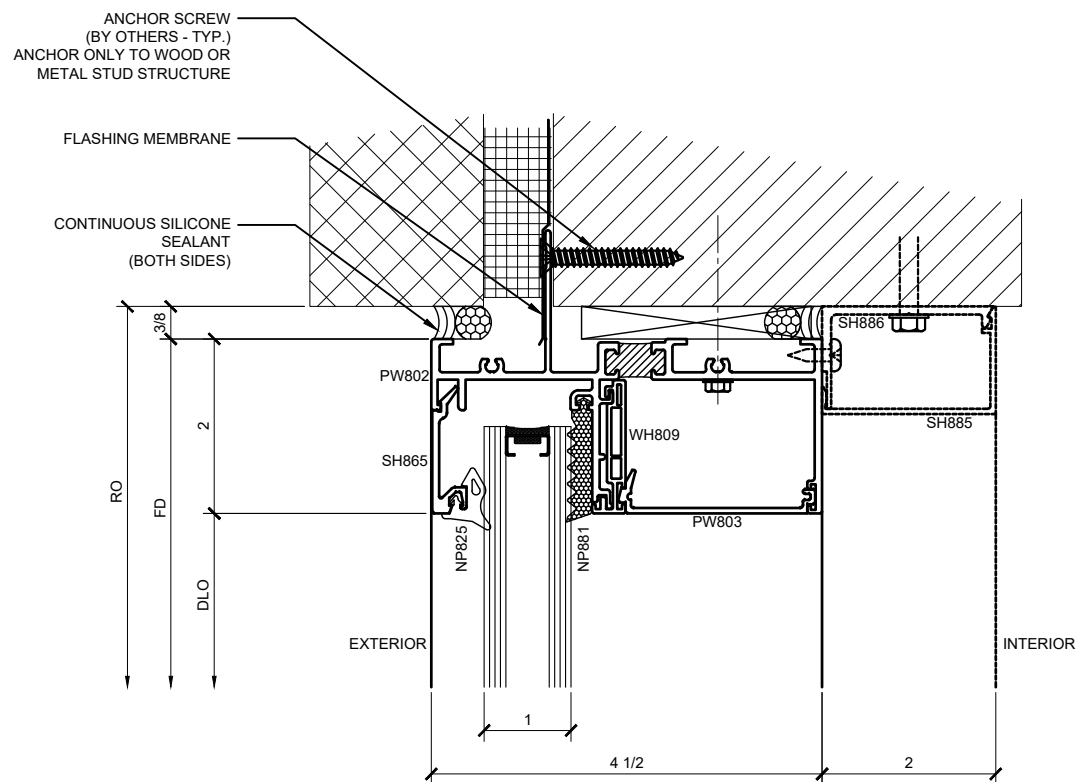
ARCH REF: N/A 1'-0"=1'-0"

FIXED WINDOW - 8100 SERIES DETAILS - BLOCK INSTALL

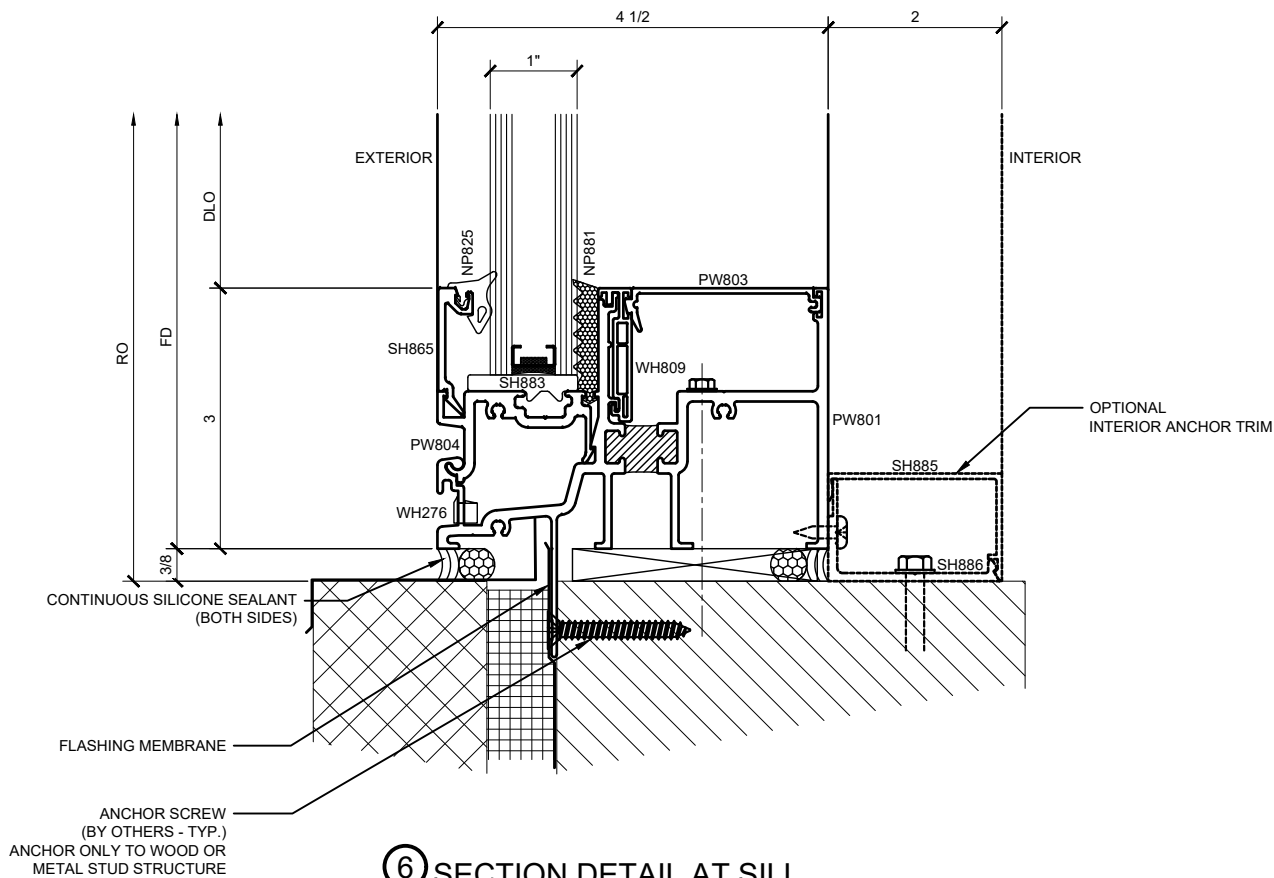
Description:
CRL WINDOWS
FIXED WINDOW
SERIES 8100
FOR 1" GLASS

Drawn By:IMG
Date: 06/26/15
Scale: AS NOTED
File Name:
8100.dwg

Sheet



5 SECTION DETAIL AT HEAD
 ARCH REF: N/A 1'-0"=1'-0"



6 SECTION DETAIL AT SILL
 ARCH REF: N/A 1'-0"=1'-0"

Revisions By:

CRL ALUMINUM
 C.R. LAURENCE CO. ARCHITECTURAL PRODUCTS
 2503 E. Vernon Avenue, Los Angeles, CA 90058-1897
 PH (800)-421-6144 FX: 800-587-7501 www.crlaurence.com

Description:
 CRL WINDOWS
 FIXED WINDOW
 SERIES 8100
 FOR 1" GLASS

Drawn By: JMG
 Date: 06/26/15
 Scale: AS NOTED
 File Name:
 8100.dwg

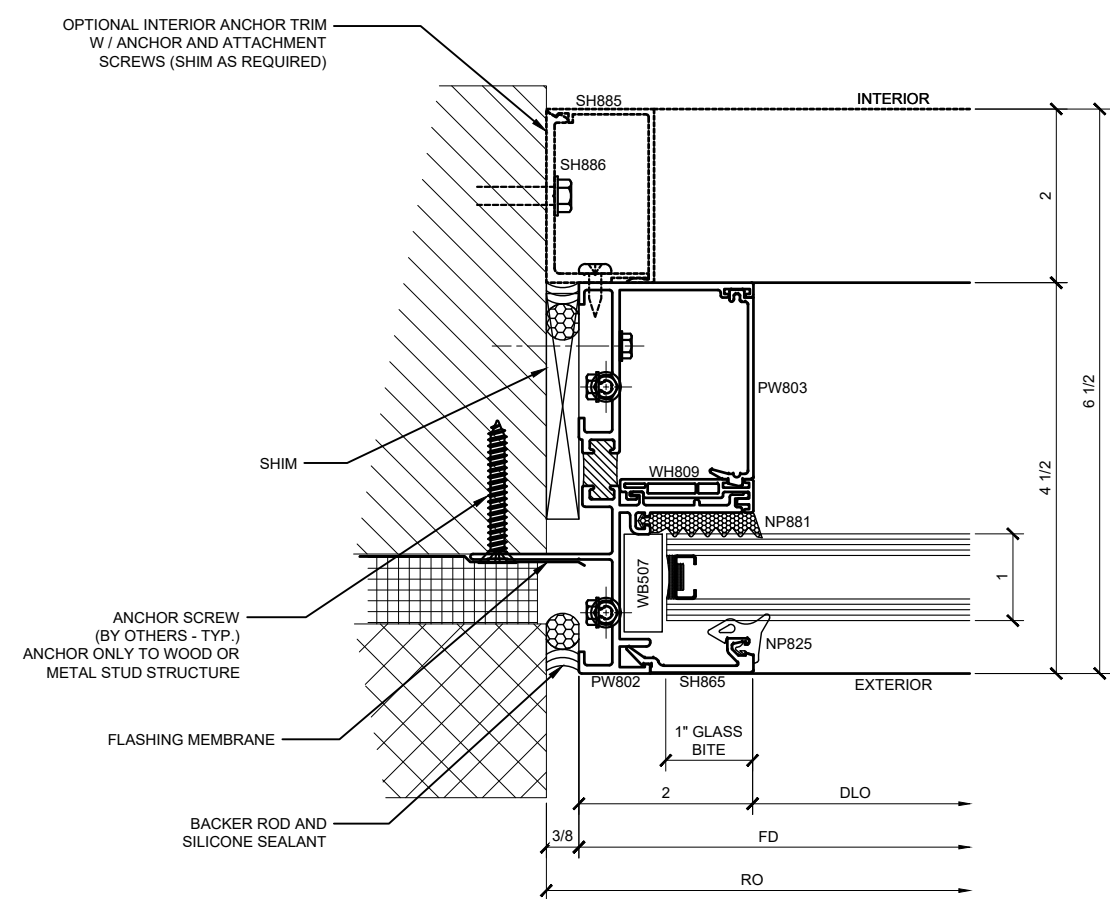
Sheet

1.03

Revisions By:

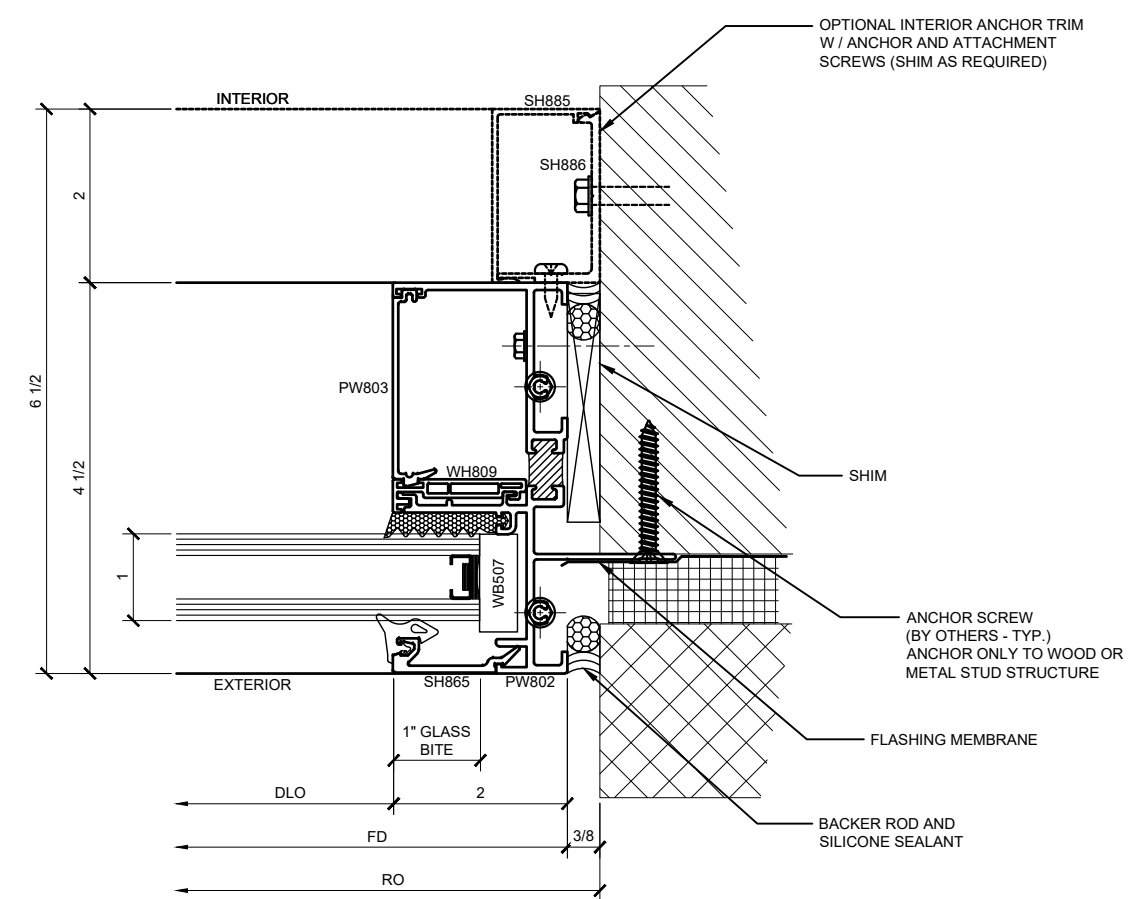


C.R. LAURENCE CO. ARCHITECTURAL PRODUCTS
2503 E. Vernon Avenue, Los Angeles, CA 90058-1897
PH (800)-421-6144 FX: 800-587-7501 www.crlaurence.com



⑦ SECTION DETAIL AT JAMB

ARCH REF: N/A 1'-0"=1'-0"



⑧ SECTION DETAIL AT JAMB

ARCH REF: N/A 1'-0"=1'-0"

FIXED WINDOW - 8100 SERIES DETAILS - FIN FRAME INSTALL

Description:
CRL WINDOWS
FIXED WINDOW
SERIES 8100
FOR 1" GLASS

Drawn By: JMG
Date: 06/26/15
Scale: AS NOTED
File Name:
8100.dwg

Sheet