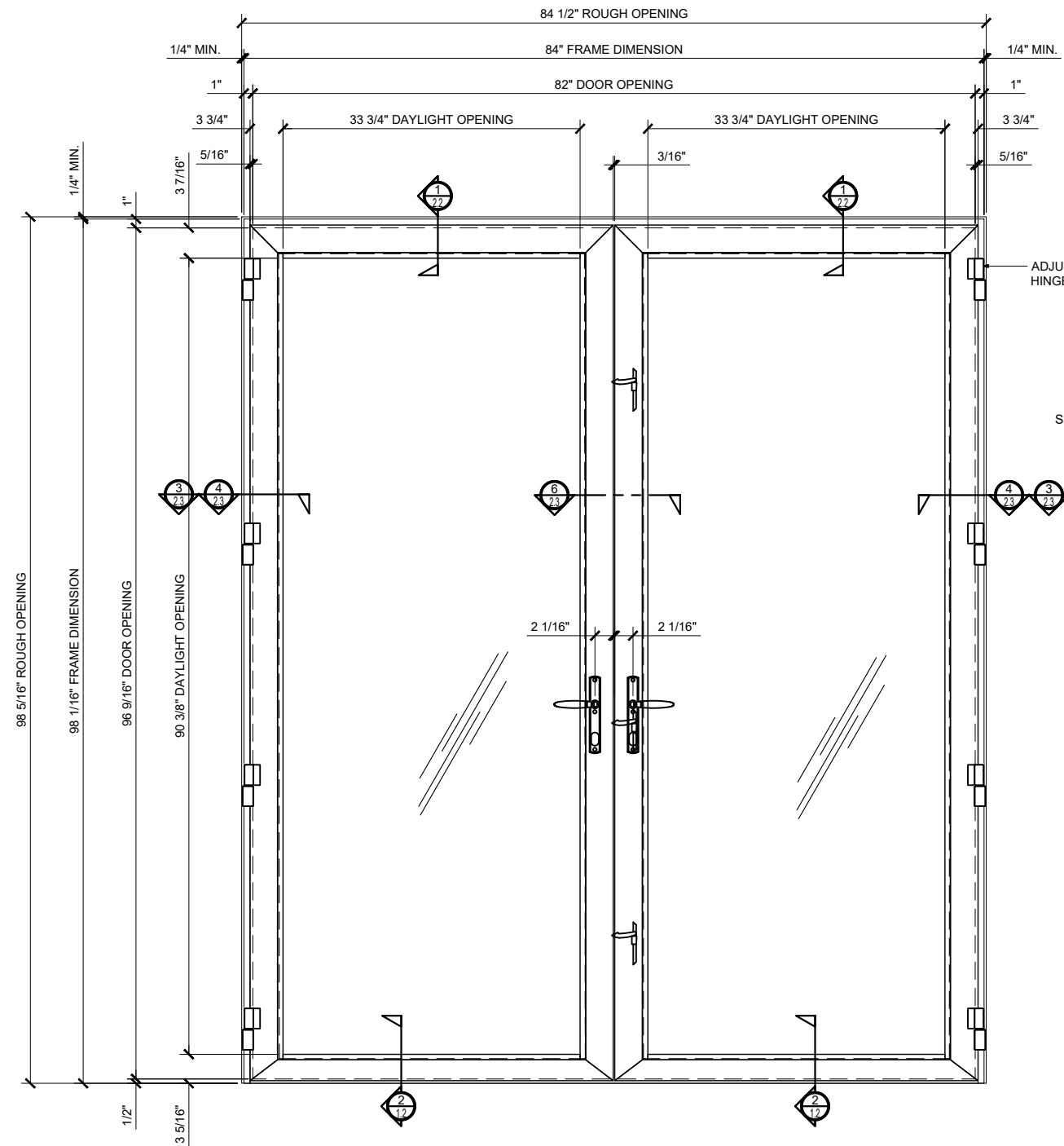
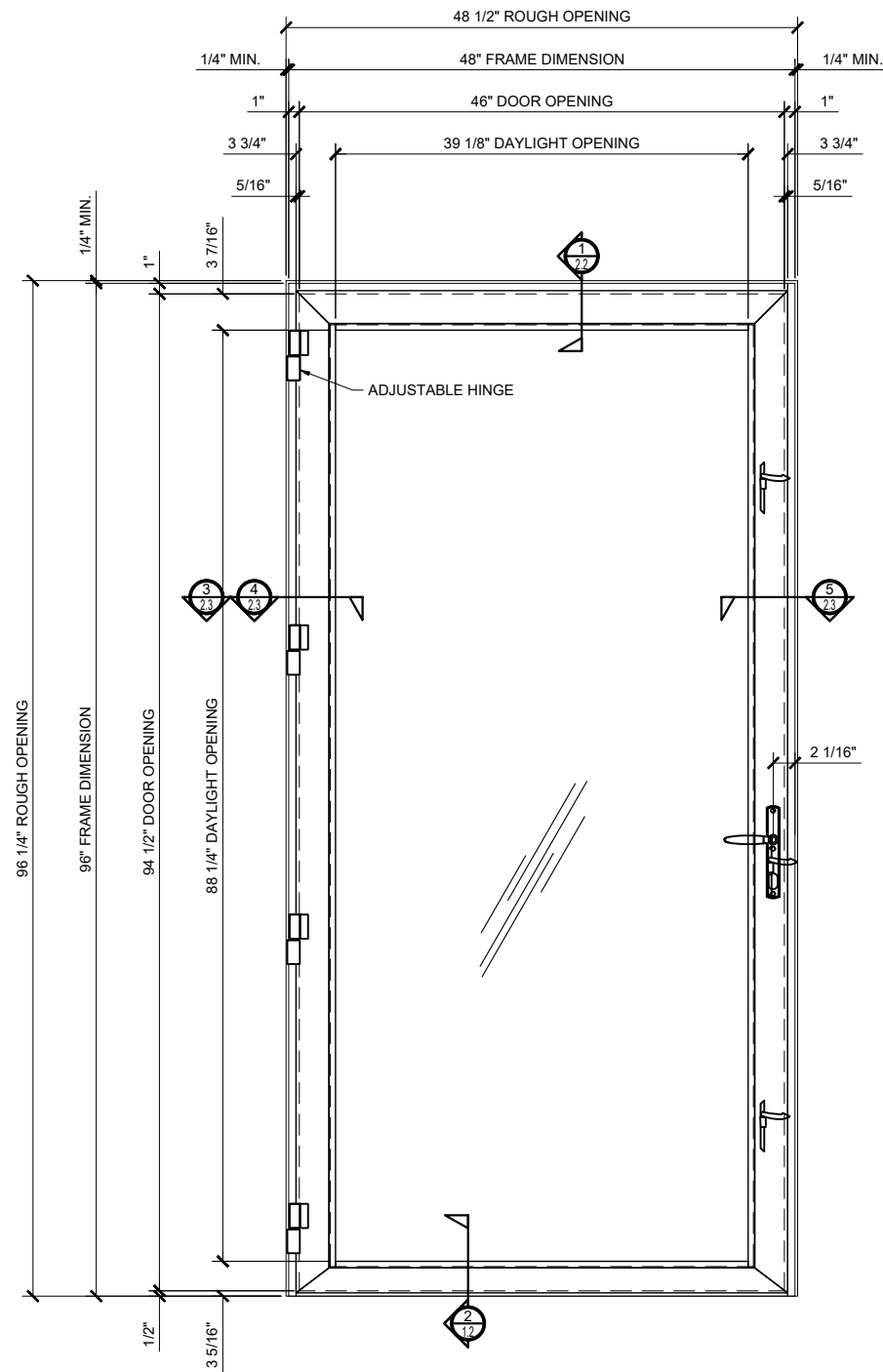




PATIO DOORS - SERIES 925



ADJUSTABLE HINGE

Sim.

THE SERIES 925 IS A HIGH PERFORMANCE PATIO DOOR FOR USE IN CONDOMINIUMS, LOFTS, HOTELS, AND HIGH-RISE APARTMENTS WITH ALL THE BENEFITS YOU ARE LOOKING FOR IN A FRENCH DOOR LOOK. THE SERIES 925 PATIO DOOR WILL WITHSTAND HEAVY TRAFFIC AND THE WORSE OF WEATHER CONDITIONS WHILE MAINTAINING IT'S ELEGANT STYLING. THE 2-1/4" (57.2) THICK DOOR WITH A 1" X 4-1/2" (25 X 114.3) FRAME FEATURES DOUBLE POLYAMIDE GLASS STRIPS PROVIDING SUPERIOR INTERIOR TO EXTERIOR THERMAL SEPARATION. FOR MAXIMUM SECURITY, THE SERIES 925 PATIO DOOR INCLUDES FIVE-POINT LOCKING DEVICE FOR SINGLES, AND SEVEN- POINT DEVICE FOR PAIRS, THREE EACH, FIVE KNUCKLES ADJUSTABLE HINGES WITH NON- REMOVABLE STAINLESS STEEL PINS PER LEAF COMPLETE THE STURDY LOOK AND FEEL OF THE SERIES 925 PATIO DOOR.

- FINISH:
- *CLEAR ANODIC COATING
 - *DARK BRONZE ANODIC COATING
 - *BLACK ANODIC COATING
 - *CUSTOM PAINT

4 HINGE FOR 8'
3 HINGES UNDER 8'

① CRL - US ALUMINUM PATIO DOOR - SERIES 925 - OUT-SWING / LOW PROFILE THRESHOLD

1 1/2"=1'-0"

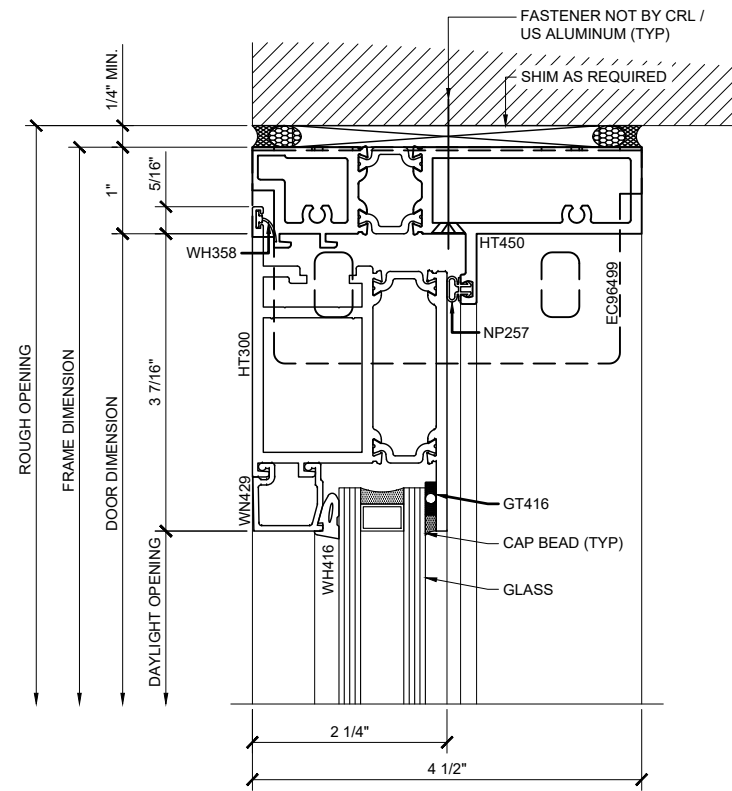
Revisions By:



U.S. ALUMINUM
ENTRANCE
PATIO DOORS
SERIES 925

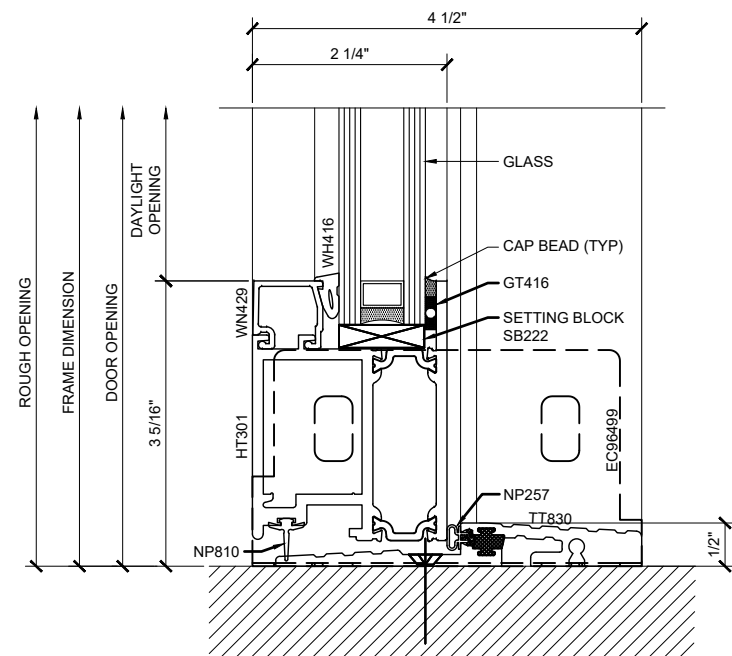
Drawn By: AAD
Date: 5/12/17
Scale: AS NOTED
File Name: CRL US ENTRANCE - PATIO DOORS - SERIES 925.dwg

Sheet



① OUT-SWING DOOR @ HEAD

1-0"=1'-0"



② OUT-SWING DOOR @ LOW PROFILE SILL

1-0"=1'-0"

CRL-US ALUMINUM - PATIO DOOR - SERIES 925 - OUT-SWING DETAILS

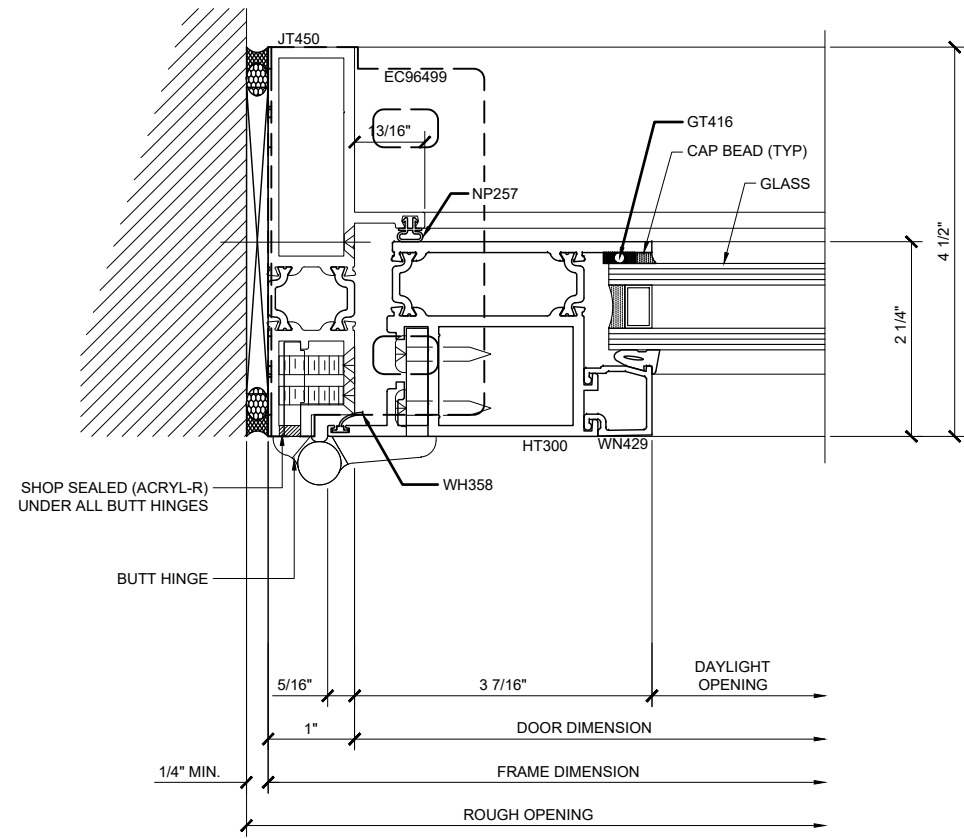
Revisions By:

CRL
ALUMINUM
C.R. LAURENCE CO. ARCHITECTURAL PRODUCTS
2503 E. Vernon Avenue, Los Angeles, CA 90058-1877
PH: (800) 421-6144 FX: (800) 587-7501 www.crlaluminum.com

Description:
U.S. ALUMINUM
ENTRANCE
PATIO DOORS
SERIES 925

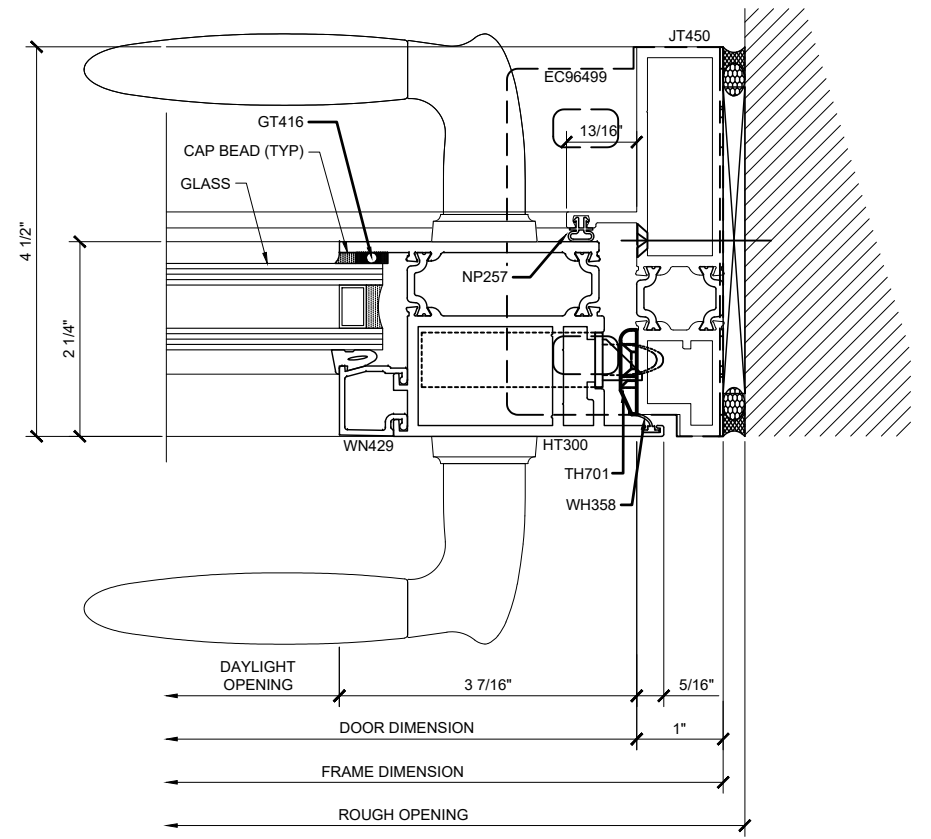
Drawn By: AAD
Date: 5/12/17
Scale: AS NOTED
File Name: CRL US ENTRANCE
- PATIO DOORS - SERIES 925.dwg

Sheet



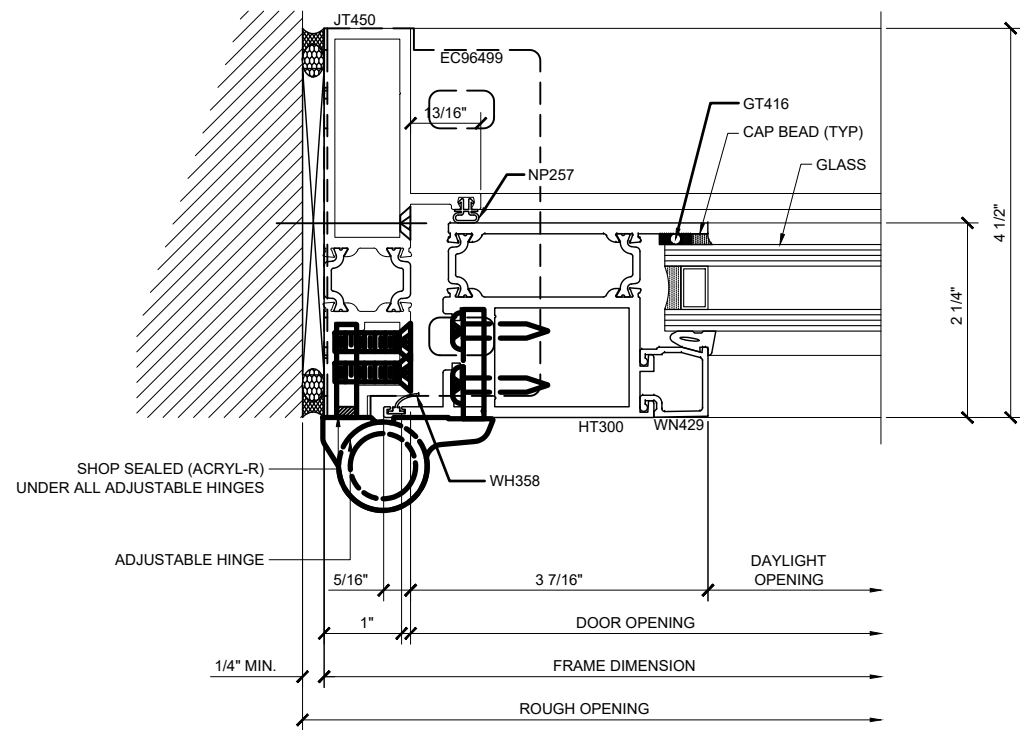
③ OUT-SWING DOOR @ JAMB WITH STANDARD 5 KNUCKLE HINGE

1-0"=1'-0"



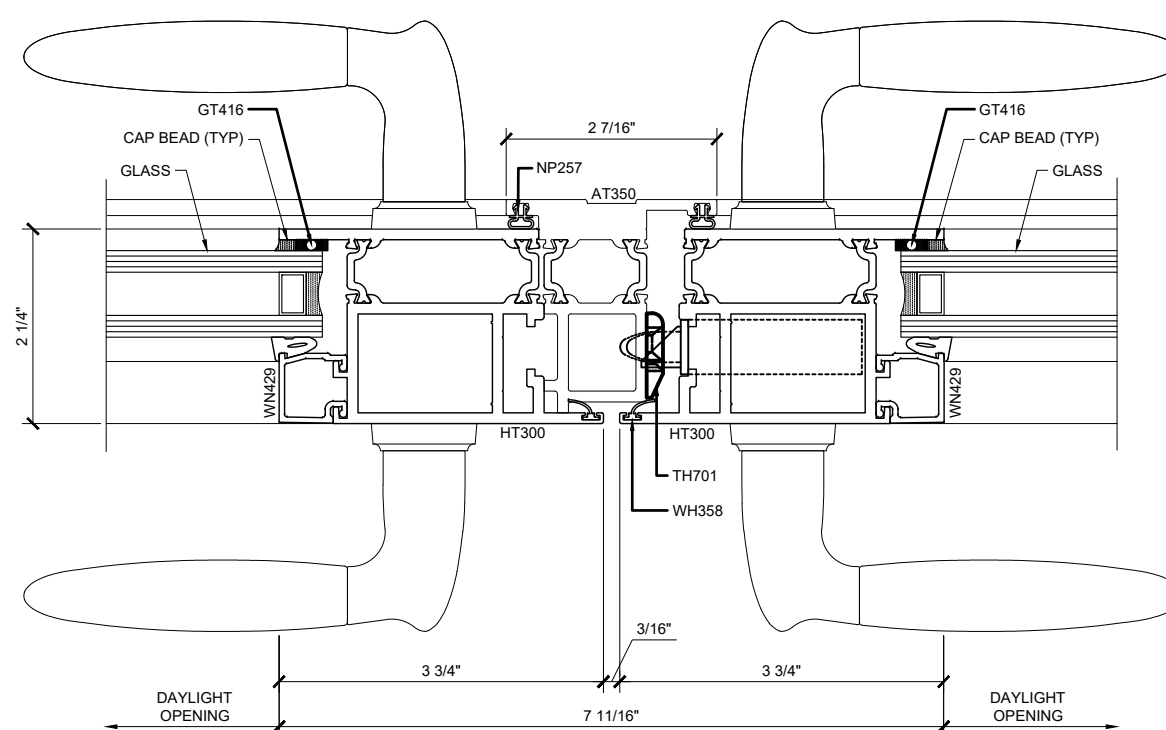
⑤ OUT-SWING DOOR @ JAMB

1-0"=1'-0"



④ OUT-SWING DOOR @ JAMB WITH OPTIONAL ADJUSTABLE HINGE

1-0"=1'-0"



⑥ OUT-SWING DOOR @ STILE

1-0"=1'-0"

CRL-US ALUMINUM - PATIO DOOR - SERIES 925 - OUT-SWING DETAILS

Revisions By:



Description:
U.S. ALUMINUM
ENTRANCE
PATIO DOORS
SERIES 925

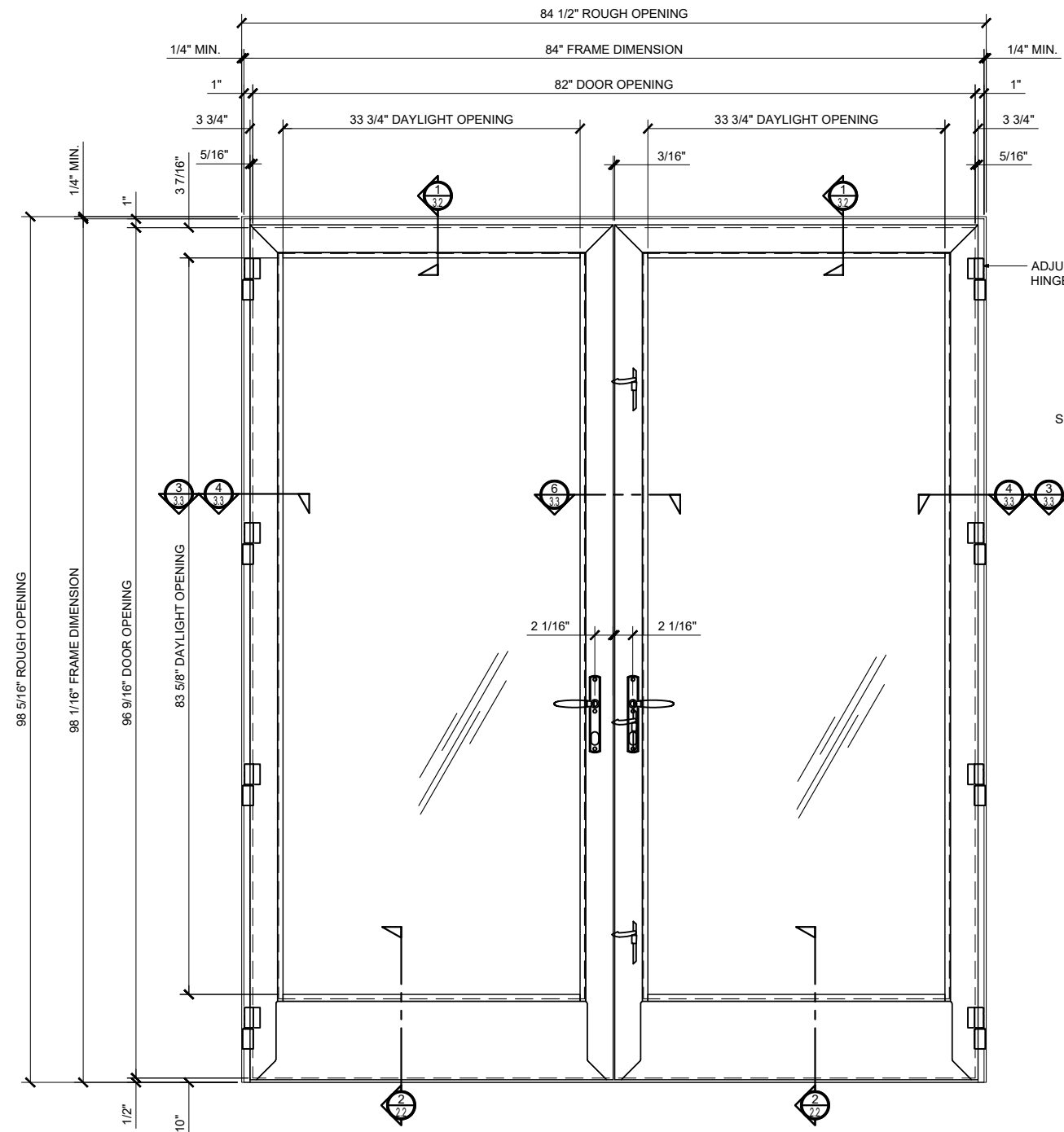
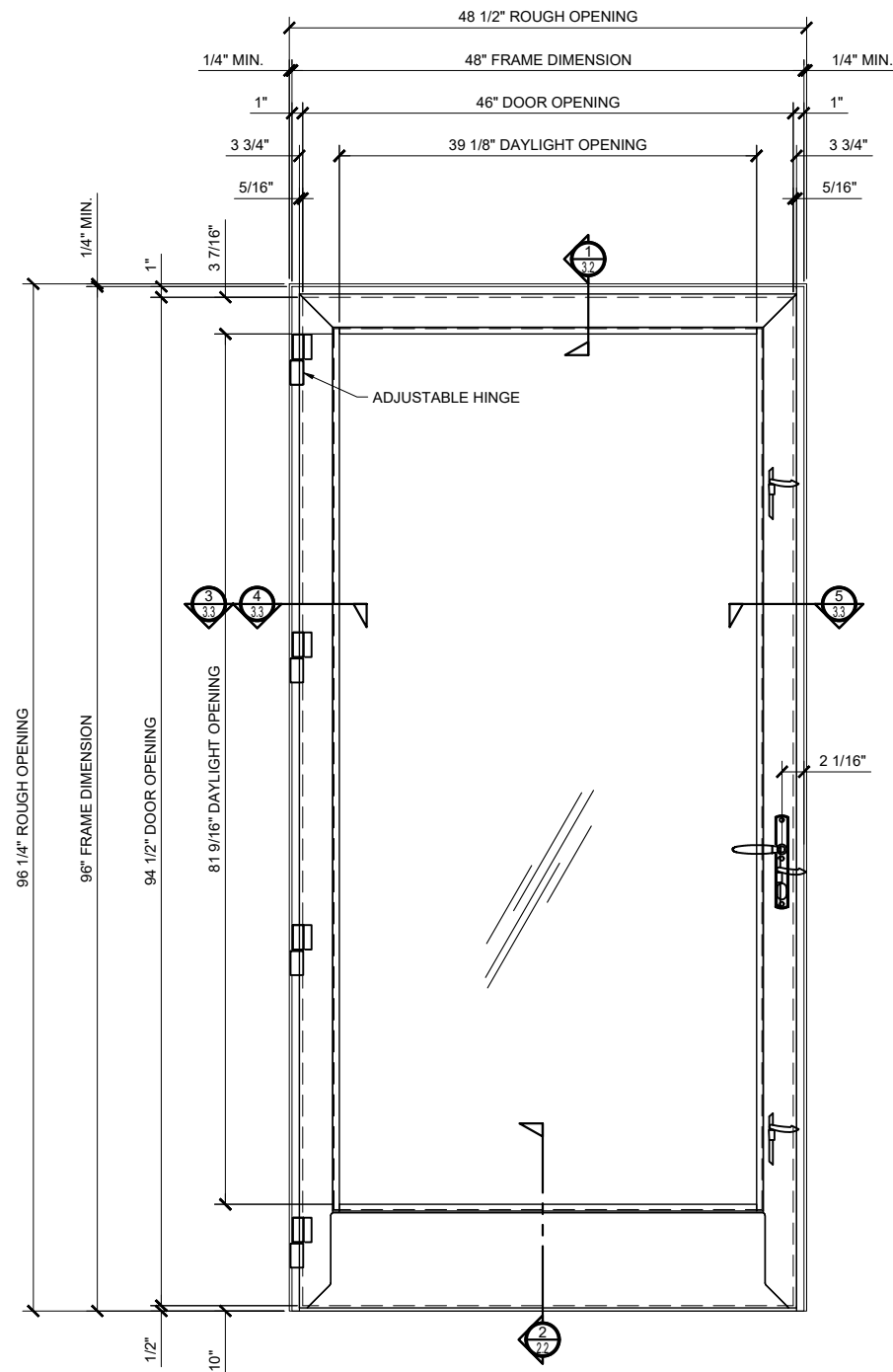
Drawn By: AAD
Date: 5/12/17
Scale: AS NOTED
File Name: CRL US ENTRANCE
- PATIO DOORS - SERIES 925.dwg

Sheet



PATIO DOORS - SERIES 925

Revisions By:



ADJUSTABLE HINGE

Sim.

THE SERIES 925 IS A HIGH PERFORMANCE PATIO DOOR FOR USE IN CONDOMINIUMS, LOFTS, HOTELS, AND HIGH-RISE APARTMENTS WITH ALL THE BENEFITS YOU ARE LOOKING FOR IN A FRENCH DOOR LOOK. THE SERIES 925 PATIO DOOR WILL WITHSTAND HEAVY TRAFFIC AND THE WORSE OF WEATHER CONDITIONS WHILE MAINTAINING IT'S ELEGANT STYLING. THE 2-1/4" (57.2) THICK DOOR WITH A 1" X 4-1/2" (25 X 114.3) FRAME FEATURES DOUBLE POLYAMIDE GLASS STRIPS PROVIDING SUPERIOR INTERIOR TO EXTERIOR THERMAL SEPARATION. FOR MAXIMUM SECURITY, THE SERIES 925 PATIO DOOR INCLUDES FIVE-POINT LOCKING DEVICE FOR SINGLES, AND SEVEN-POINT DEVICE FOR PAIRS, THREE EACH, FIVE KNUCKLES ADJUSTABLE HINGES WITH NON-REMOVABLE STAINLESS STEEL PINS PER LEAF COMPLETE THE STURDY LOOK AND FEEL OF THE SERIES 925 PATIO DOOR.

FINISH:

- *CLEAR ANODIC COATING
- *DARK BRONZE ANODIC COATING
- *BLACK ANODIC COATING
- *CUSTOM PAINT

4 HINGE FOR 8'
3 HINGES UNDER 8'

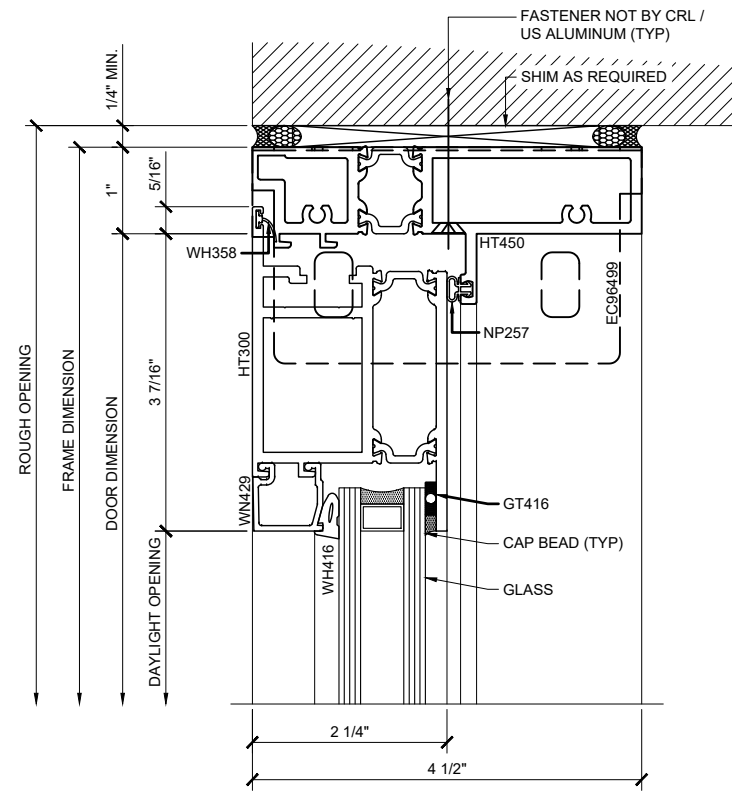
U.S. ALUMINUM
ENTRANCE
PATIO DOORS
SERIES 925

Drawn By: AAD
Date: 5/12/17
Scale: AS NOTED
File Name: CRL US ENTRANCE - PATIO DOORS - SERIES 925.dwg

Sheet

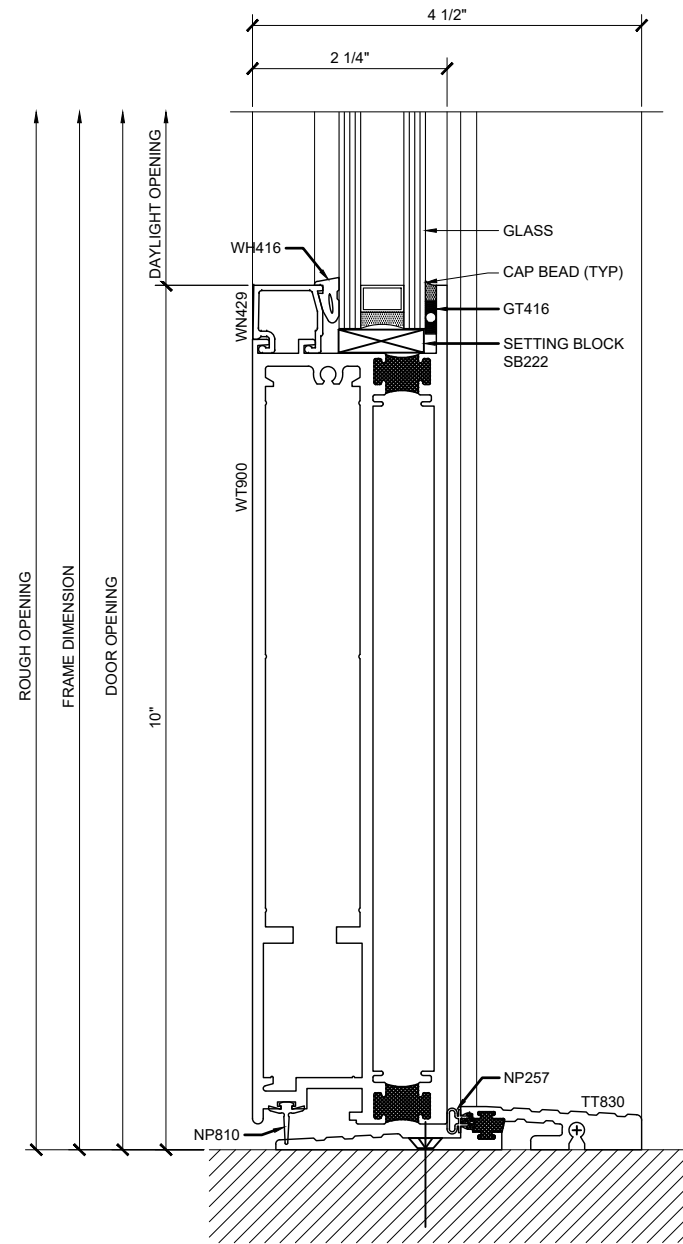
① CRL - US ALUMINUM PATIO DOOR - SERIES 925 - OUT-SWING / LOW PROFILE THRESHOLD / 10" BOTTOM RAIL

1 1/2"=1'-0"



① OUT-SWING DOOR - @ HEAD

1-0"=1'-0"



② OUT-SWING DOOR - 10" BOTTOM RAIL @ SILL

1-0"=1'-0"

CRL-US ALUMINUM - PATIO DOOR - SERIES 925 - OUT-SWING - LOW PROFILE THRESHOLD W/ 10" BOTTOM RAIL

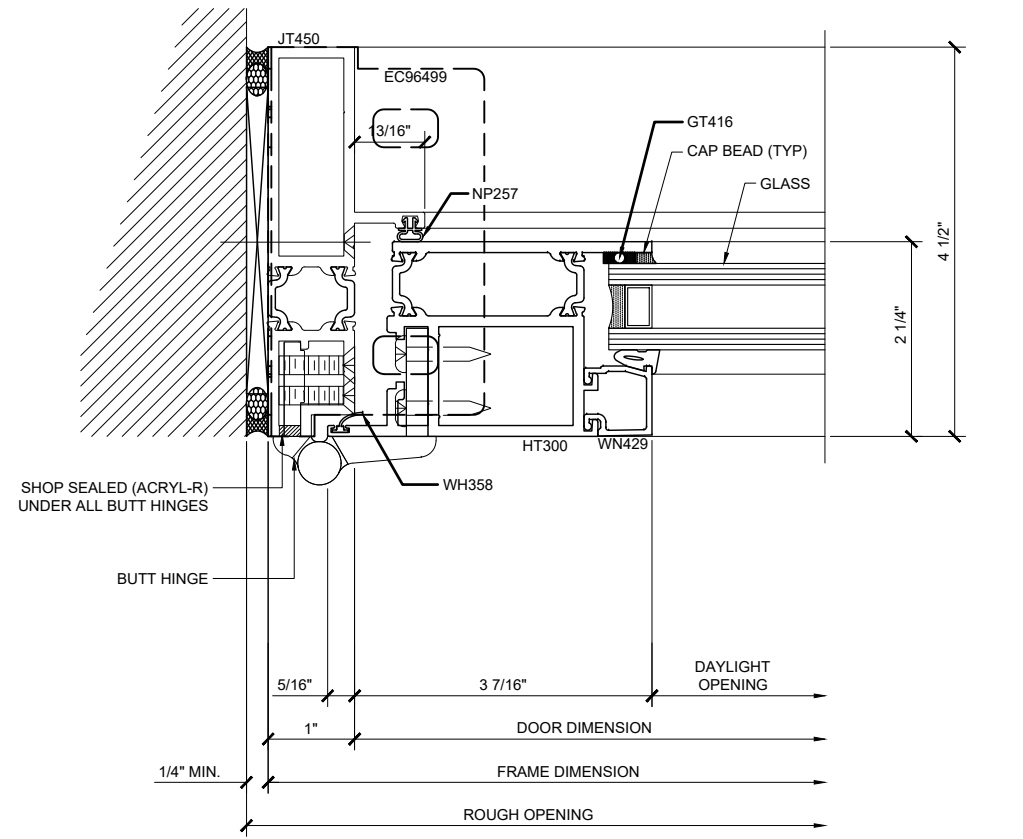
Revisions By:



Description:
U.S. ALUMINUM
ENTRANCE
PATIO DOORS
SERIES 925

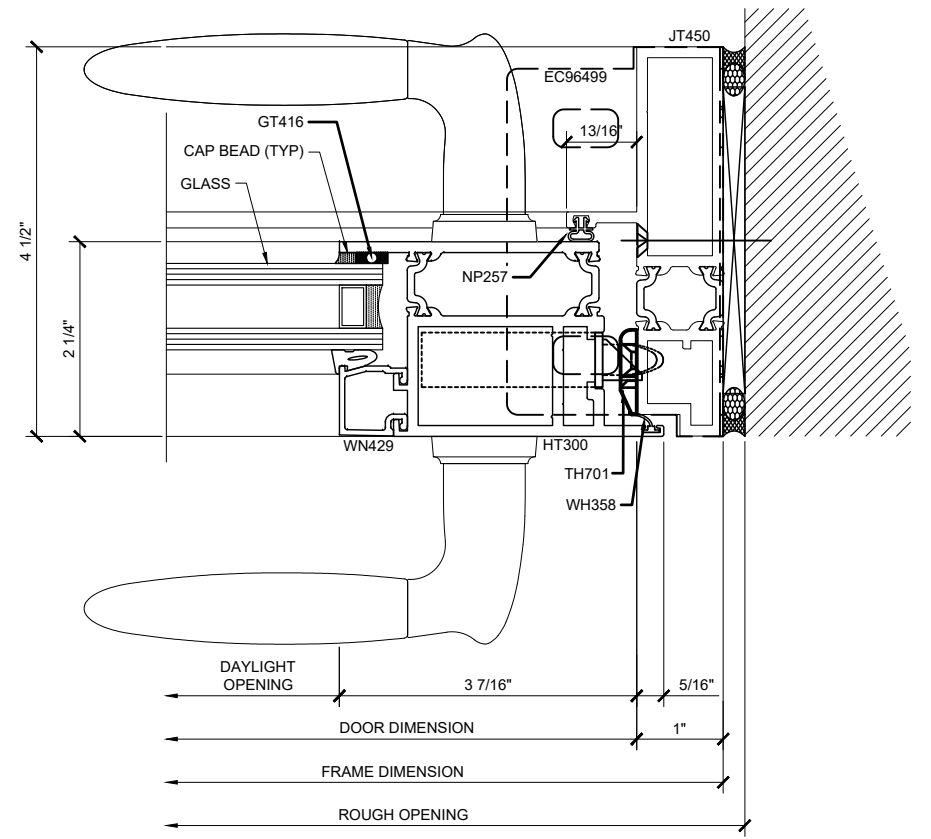
Drawn By: AAD
Date: 5/12/17
Scale: AS NOTED
File Name: CRL US ENTRANCE
- PATIO DOORS - SERIES 925.dwg

Sheet



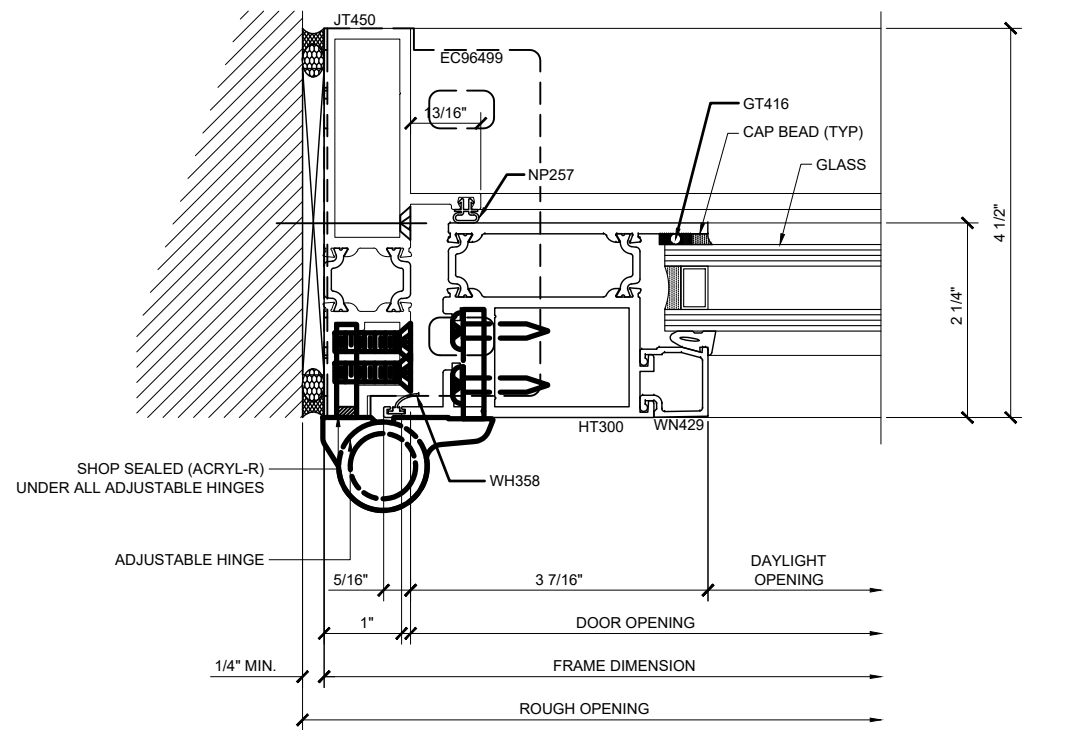
③ OUT-SWING DOOR @ JAMB WITH STANDARD 5 KNUCKLE HINGE

1'-0"=1'-0"



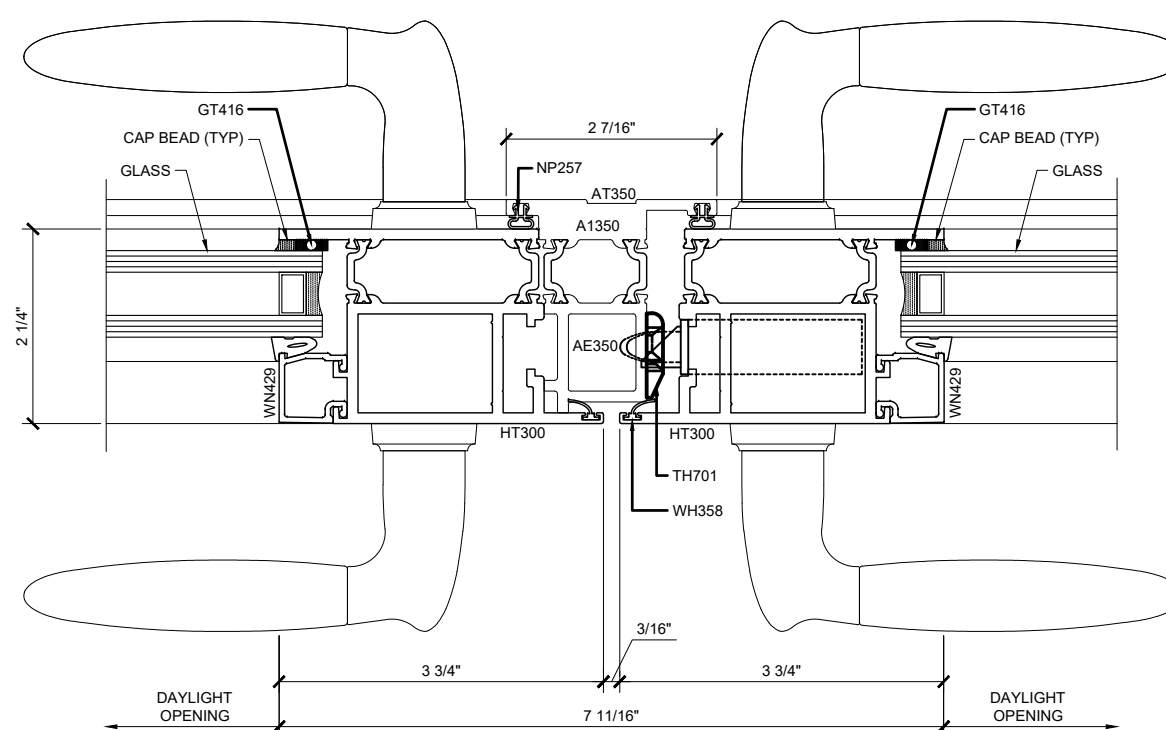
⑤ OUT-SWING DOOR @ JAMB

1'-0"=1'-0"



④ OUT-SWING DOOR @ JAMB WITH OPTIONAL ADJUSTABLE HINGE

1'-0"=1'-0"



⑥ OUT-SWING DOOR @ STILE

1'-0"=1'-0"

CRL-US ALUMINUM - PATIO DOOR - SERIES 925 - OUT-SWING DETAILS

Revisions By:



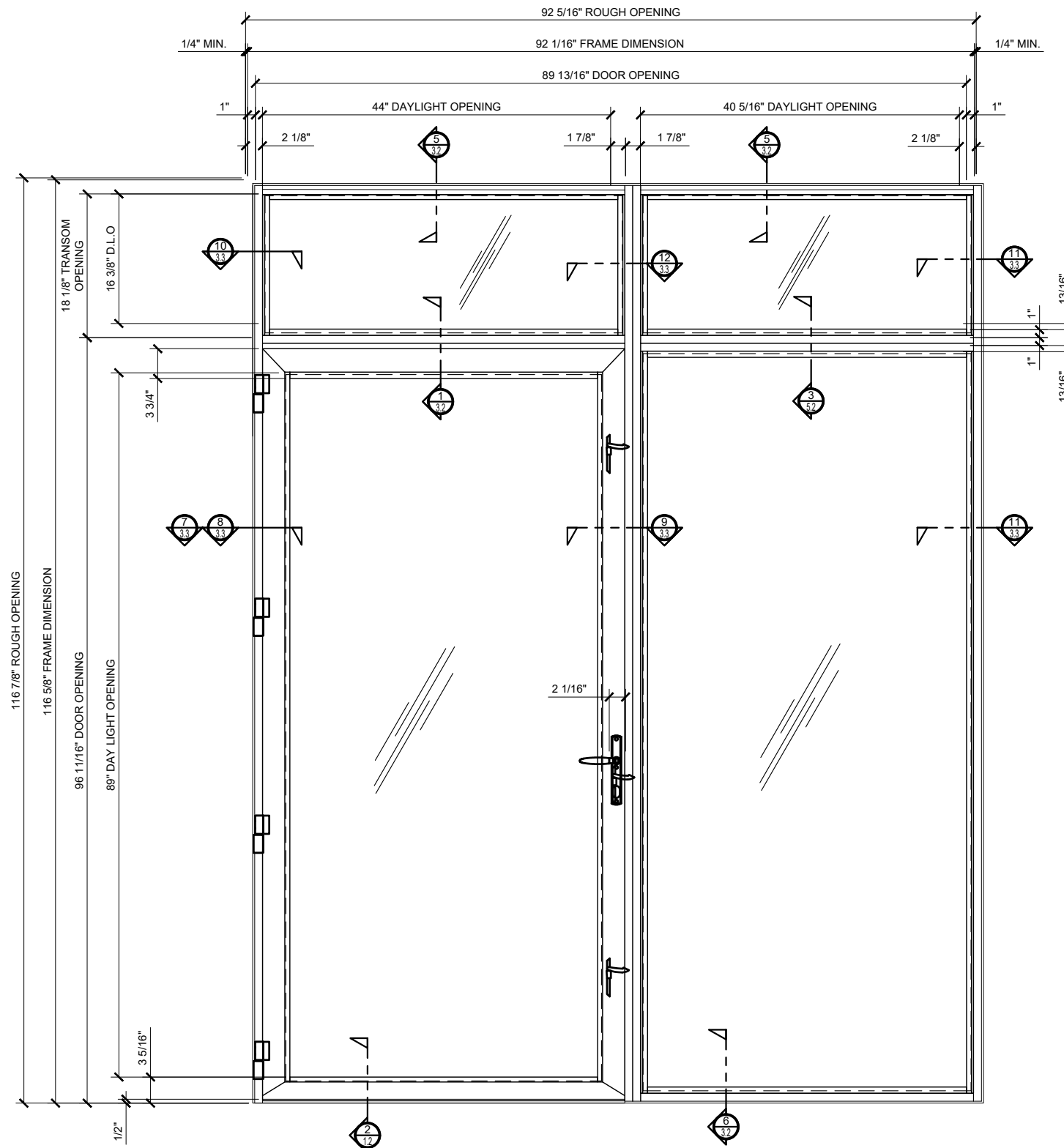
Description:
U.S. ALUMINUM
ENTRANCE
PATIO DOORS
SERIES 925

Drawn By: AAD
Date: 5/12/17
Scale: AS NOTED
File Name: CRL US ENTRANCE
- PATIO DOORS - SERIES 925.dwg

Sheet



PATIO DOORS - SERIES 925



THE SERIES 925 IS A HIGH PERFORMANCE PATIO DOOR FOR USE IN CONDOMINIUMS, LOFTS, HOTELS, AND HIGH-RISE APARTMENTS WITH ALL THE BENEFITS YOU ARE LOOKING FOR IN A FRENCH DOOR LOOK. THE SERIES 925 PATIO DOOR WILL WITHSTAND HEAVY TRAFFIC AND THE WORSE OF WEATHER CONDITIONS WHILE MAINTAINING IT'S ELEGANT STYLING. THE 2-1/4" (57.2) THICK DOOR WITH A 1" X 4-1/2" (25 X 114.3) FRAME FEATURES DOUBLE POLYAMIDE GLASS STRIPS PROVIDING SUPERIOR INTERIOR TO EXTERIOR THERMAL SEPARATION. FOR MAXIMUM SECURITY, THE SERIES 925 PATIO DOOR INCLUDES FIVE-POINT LOCKING DEVICE FOR SINGLES, AND SEVEN- POINT DEVICE FOR PAIRS, THREE EACH, FIVE KNUCKLES ADJUSTABLE HINGES WITH NON- REMOVABLE STAINLESS STEEL PINS PER LEAF COMPLETE THE STURDY LOOK AND FEEL OF THE SERIES 925 PATIO DOOR.

FINISH:
 *CLEAR ANODIC COATING
 *DARK BRONZE ANODIC COATING
 *BLACK ANODIC COATING
 *CUSTOM PAINT

4 HINGE FOR 8'
 3 HINGES UNDER 8'

① CRL-US ALUMINUM PATIO DOOR - SERIES 925 - OUT SWING

WITH TRANSOM AND SIDELITES

1 1/2"=1'-0"

Revisions By:

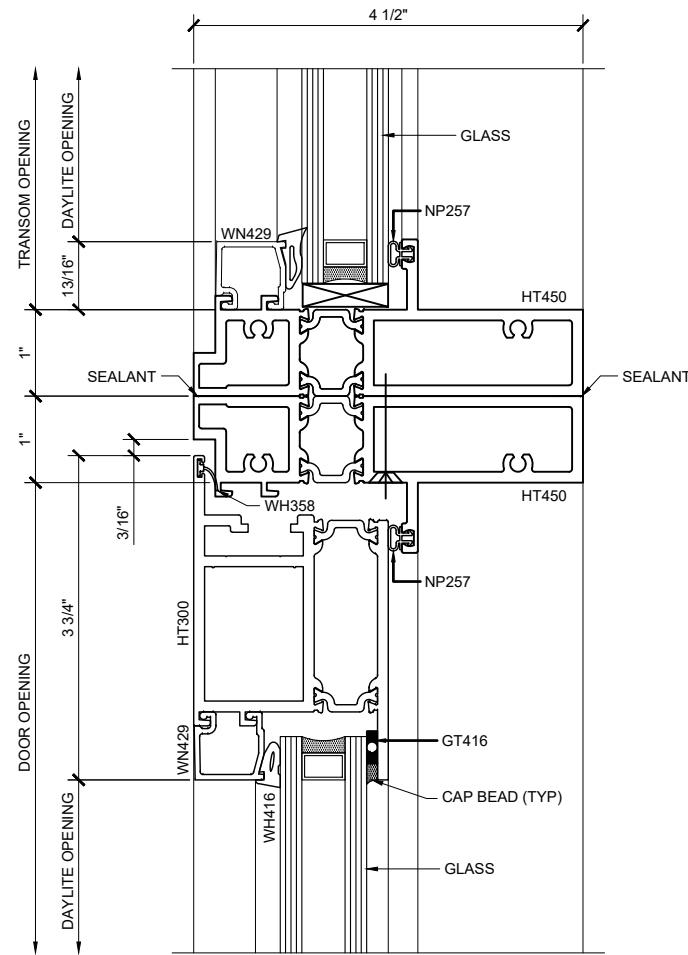


Description:
 U.S. ALUMINUM
 ENTRANCE
 PATIO DOORS
 SERIES 925

Drawn By: AAD
 Date: 5/12/17
 Scale: AS NOTED
 File Name: CRL US ENTRANCE
 - PATIO DOORS - SERIES 925.dwg

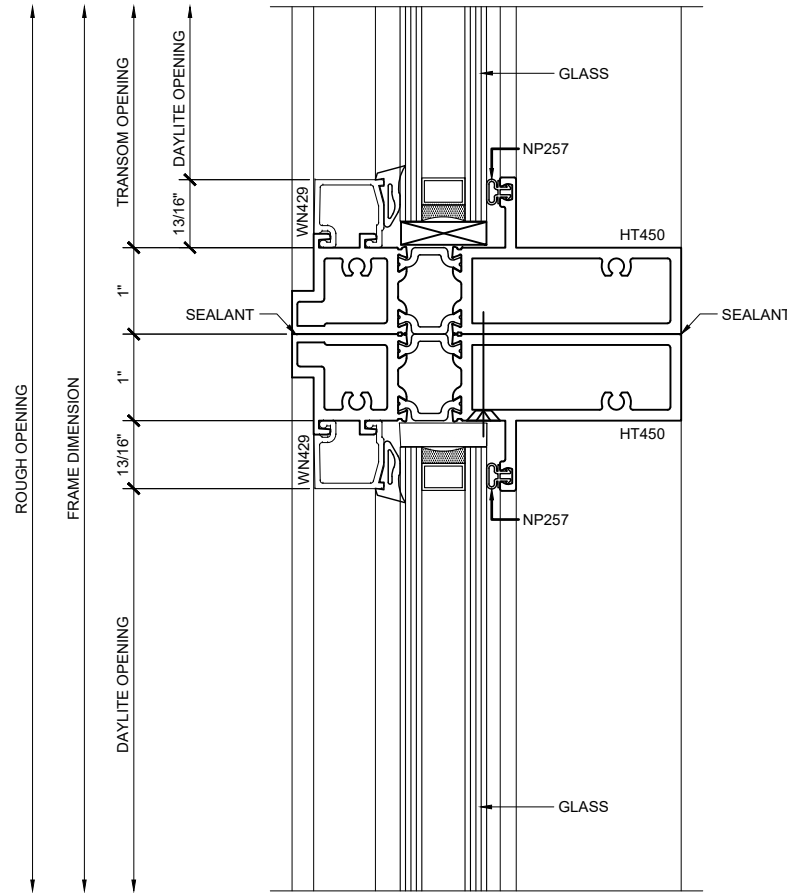
Sheet

3.1



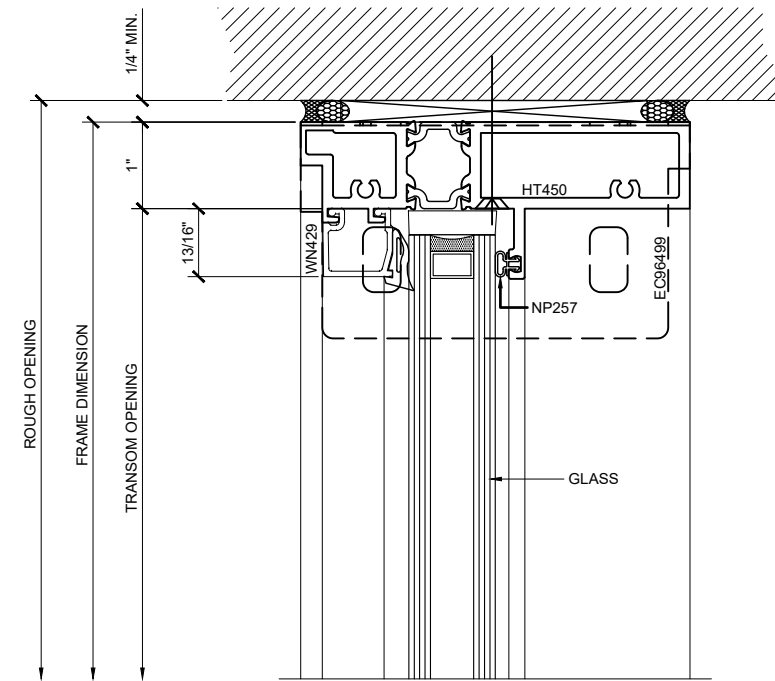
① OUT-SWING DOOR & SIDELITE

1-0"=1'-0"



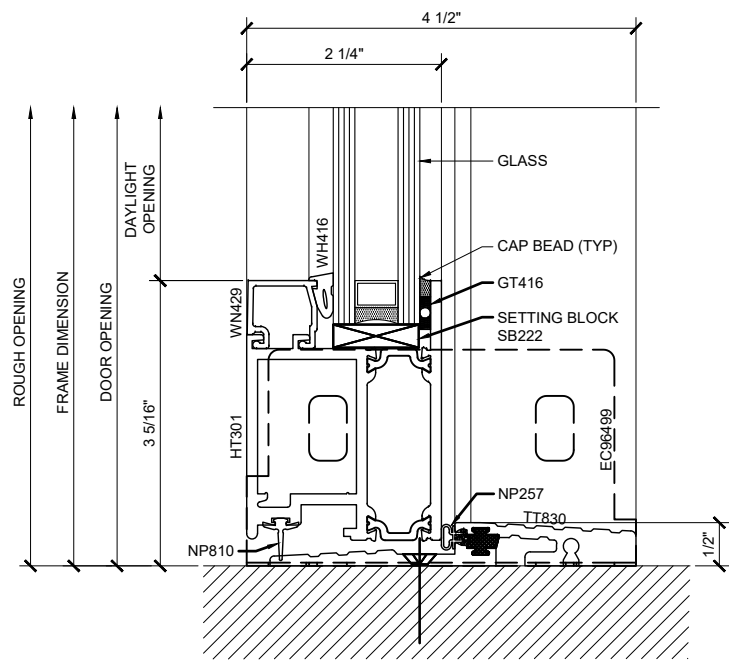
③ SIDELITE @ STILE

1-0"=1'-0"



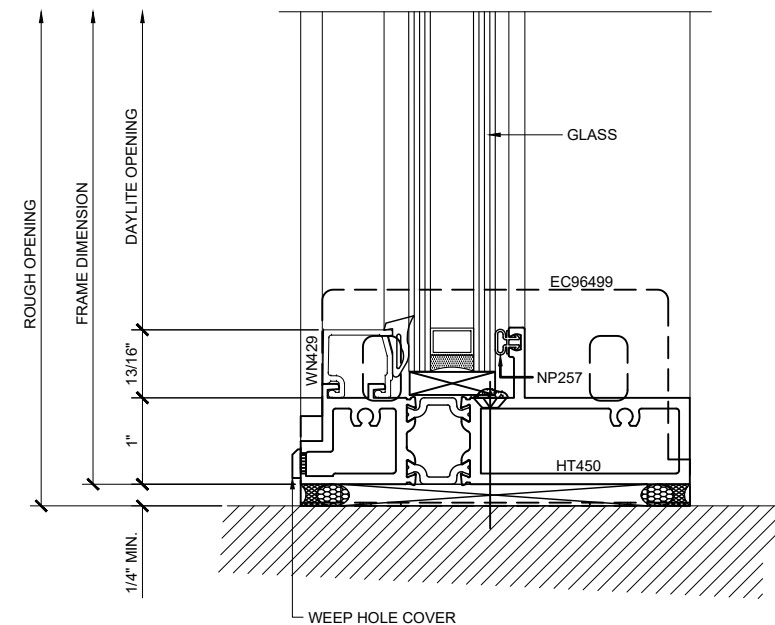
⑤ SIDELITE @ HEADER

1-0"=1'-0"



② OUT-SWING DOOR @ SILL

1-0"=1'-0"



⑥ SIDELITE @ SILL

1-0"=1'-0"

CRL-US ALUMINUM - PATIO DOOR - SERIES 925 - DOOR AND SIDELITE DETAILS

Revisions By:

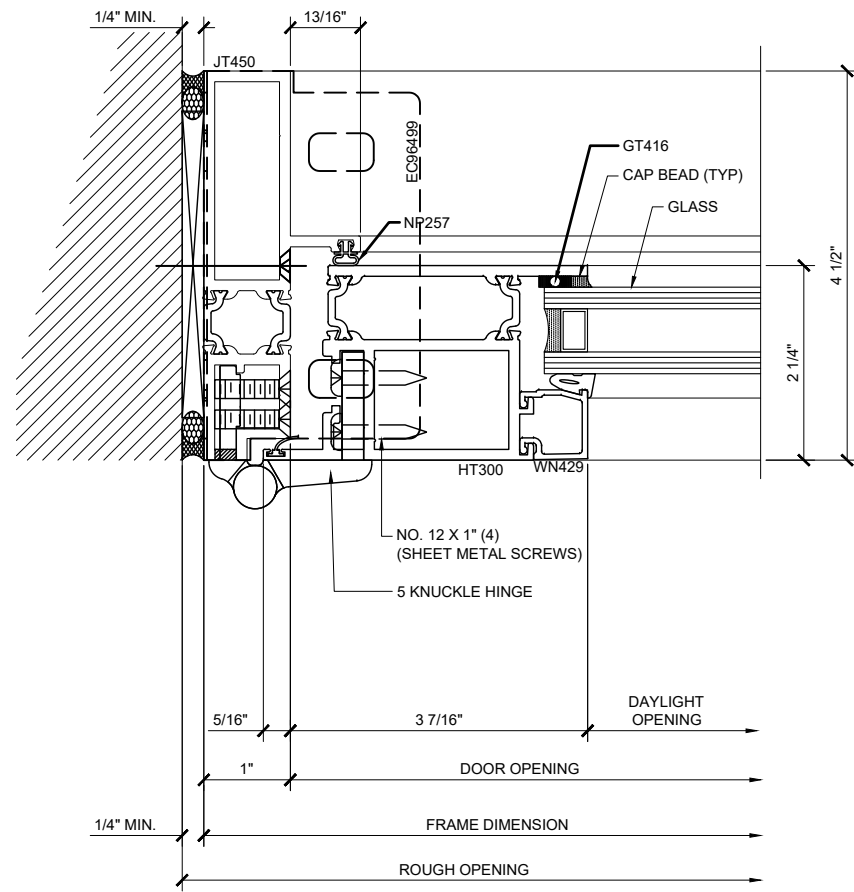


C.R. LAURENCE CO. ARCHITECTURAL PRODUCTS
2503 E. Vernon Avenue, Los Angeles, CA 90058-1897
PH: (800) 421-6144 FX: (800) 857-7501 www.crlaluminum.com

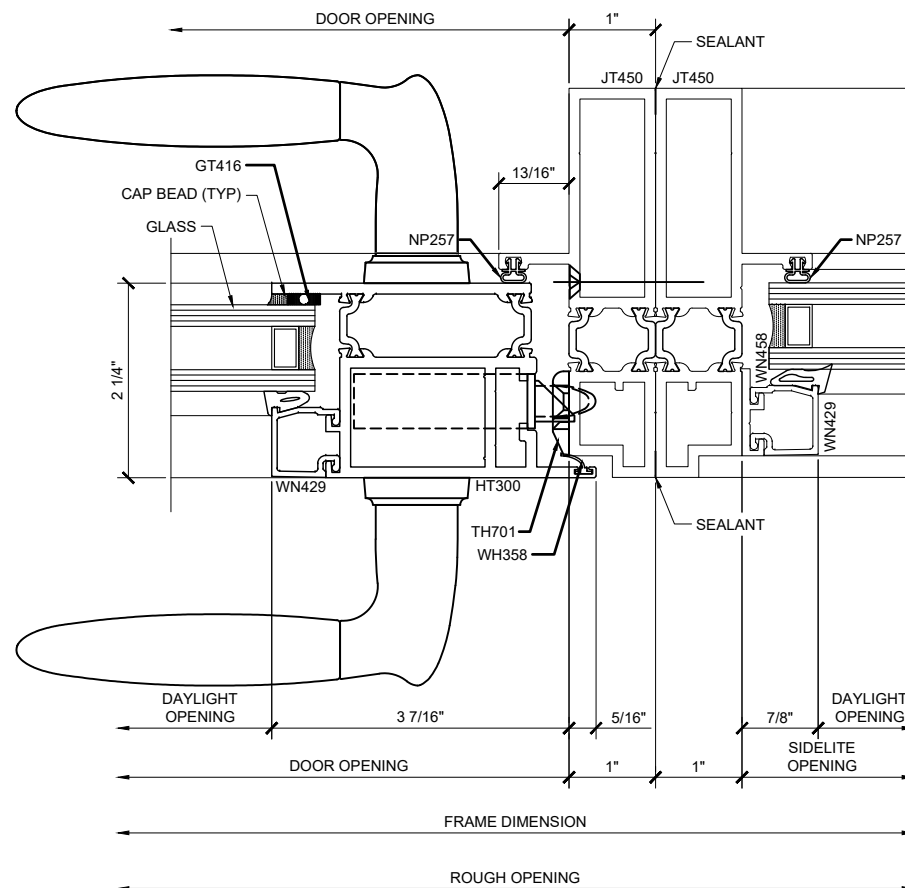
Description:
U.S. ALUMINUM
ENTRANCE
PATIO DOORS
SERIES 925

Drawn By: AAD
Date: 5/12/17
Scale: AS NOTED
File Name: CRL US ENTRANCE
- PATIO DOORS - SERIES 925.dwg

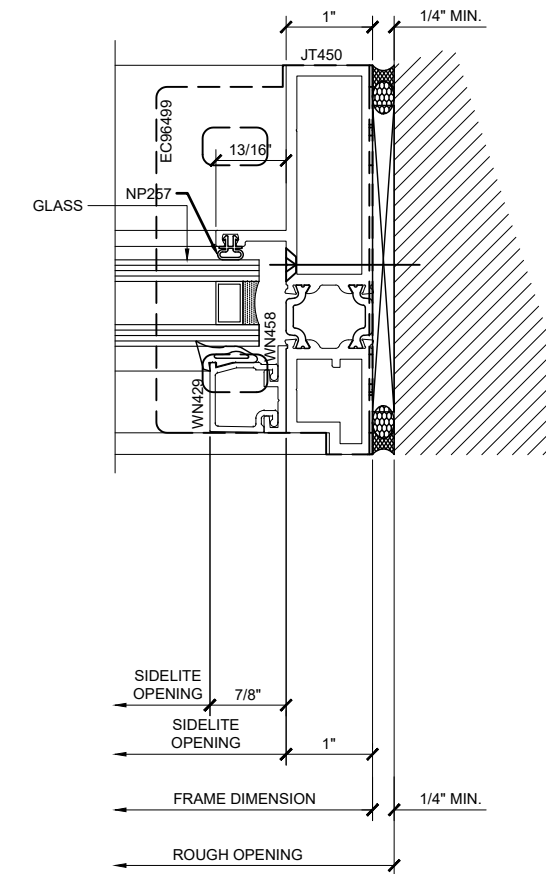
Sheet



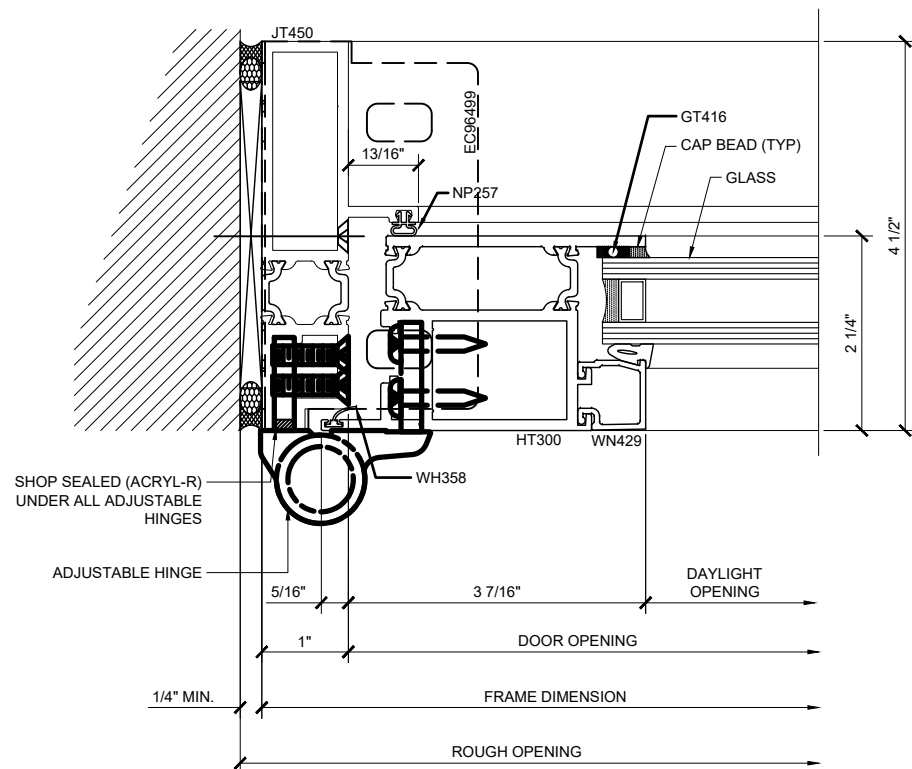
7 OUT-SWING DOOR - @ JAMB WITH STANDARD 5 KNUCKLE HINGE
1-0"=1'-0"



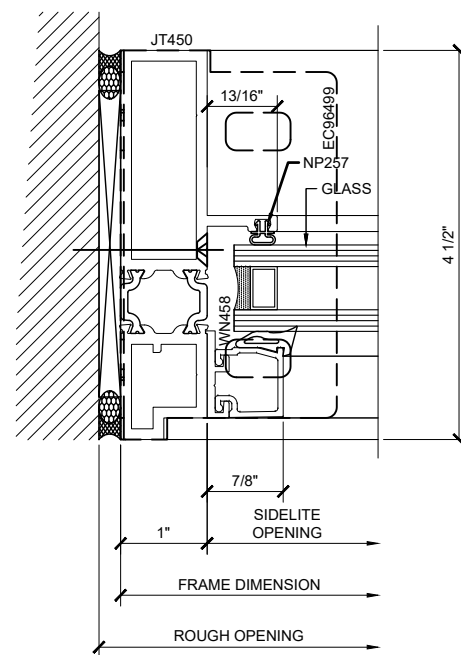
9 OUT-SWING DOOR @ JAMB & SIDELITE
1-0"=1'-0"



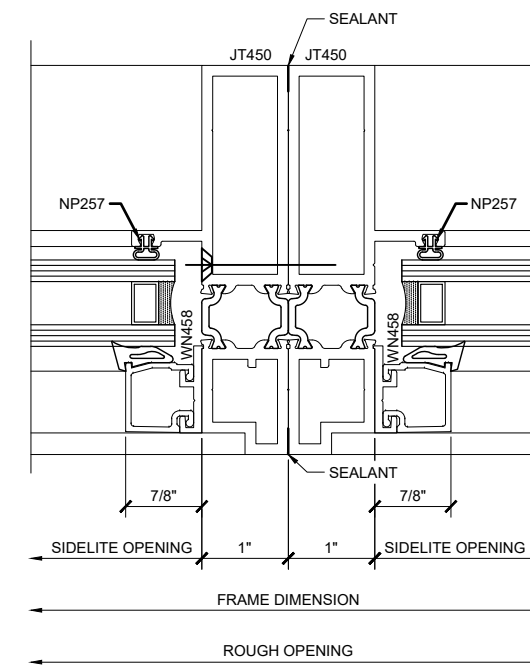
11 SIDELITE @ JAMB
1-0"=1'-0"



8 OUT-SWING DOOR @ JAMB WITH OPTIONAL ADJUSTABLE HINGE
1-0"=1'-0"



10 SIDELITE @ JAMB
1-0"=1'-0"



12 SIDELITE @ STILE
1-0"=1'-0"

CRL-US ALUMINUM - PATIO DOOR - SERIES 925 - DOOR AND SIDELITE DETAILS

Revisions By:

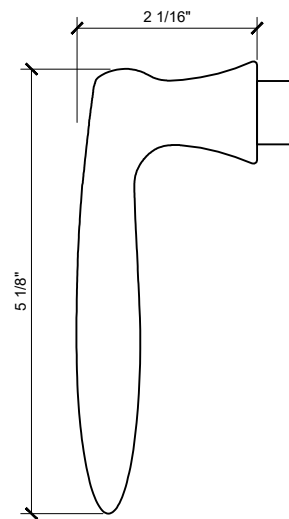
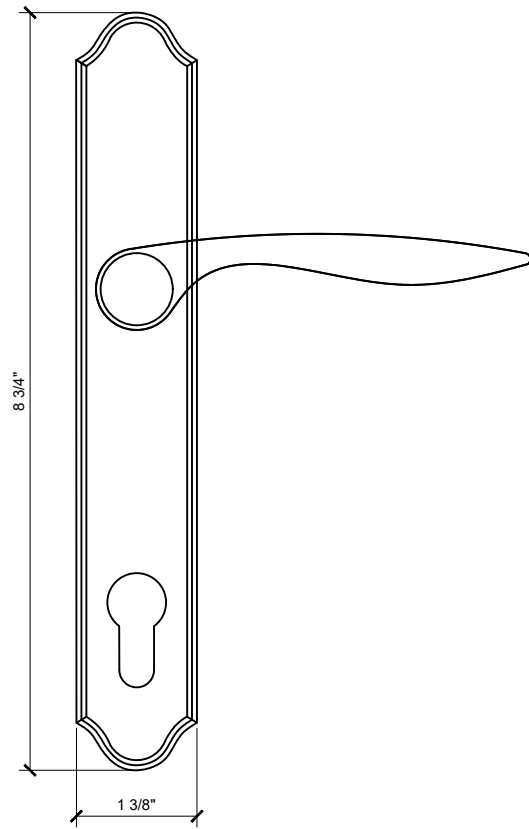


C.R. LAURENCE CO. ARCHITECTURAL PRODUCTS
2503 E. Vernon Avenue, Los Angeles, CA 90058-1897
PH: (800) 421-6144 FX: (800) 857-7501 WWW: crlus.com

Description:
U.S. ALUMINUM
ENTRANCE
PATIO DOORS
SERIES 925

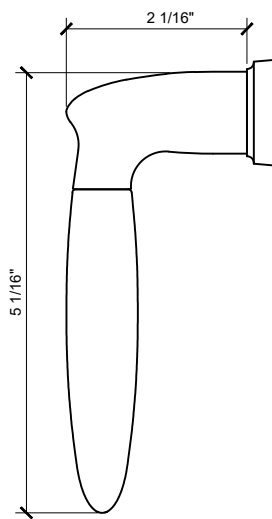
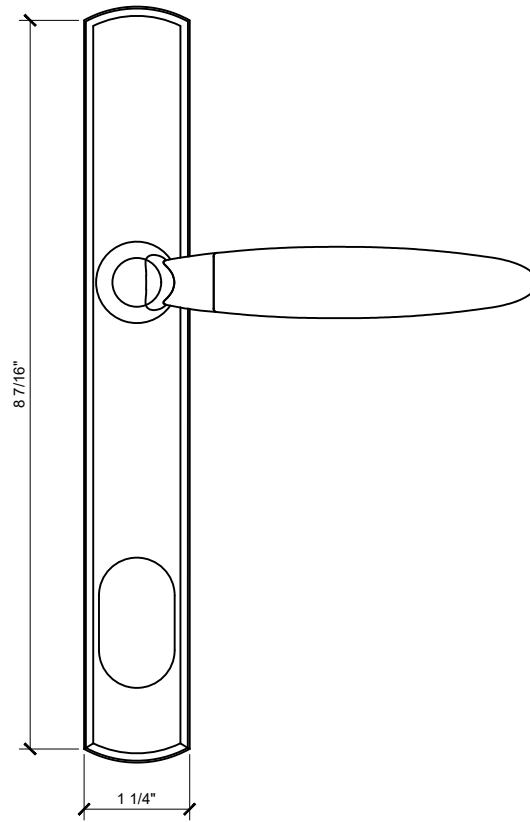
Drawn By: AAD
Date: 5/12/17
Scale: AS NOTED
File Name: CRL US ENTRANCE
- PATIO DOORS - SERIES 925.dwg

Sheet



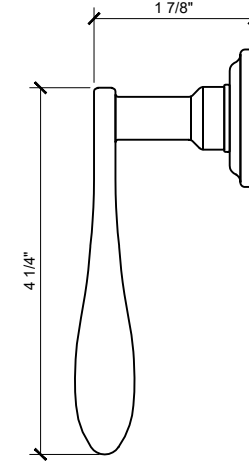
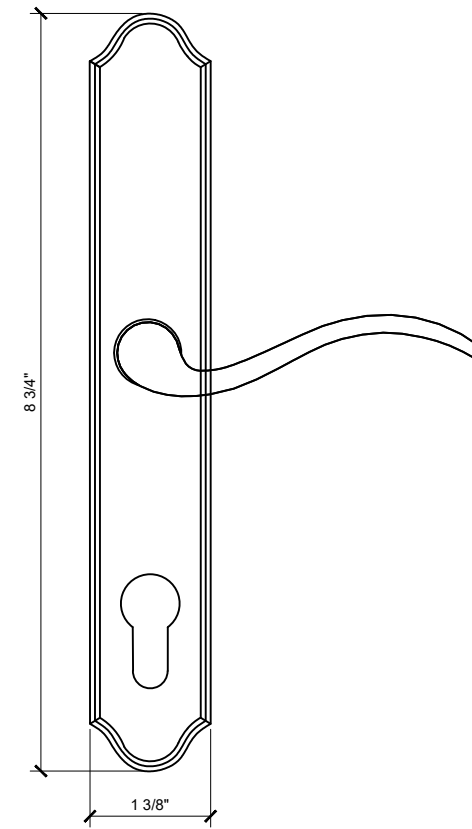
① HANDLE - MANOR

1-0"=1'-0"



② HANDLE - HERITAGE

1-0"=1'-0"



③ HANDLE - ESTATE

1-0"=1'-0"

CRL-US ALUMINUM - PATIO DOOR - SERIES 925 - HANDLE OPTIONS

FINISH

STYLE	POLISHED BRASS	ANTIQUÉ BRASS	POLISHED CHROME	SATIN NICKEL	ANTIQUÉ NICKEL	BRUSHED CHROME	OIL RUBBED	RUSTIC UMBER	WHITE	MATTE BLACK
MANOR	■		■	■		■	■	■		■
HERITAGE	■			■			■			
ESTATE	■	■	■	■	■	■		■	■	■