



WINDOW WALLS

OS-2 OFFSET SYSTEMS - OS451 SERIES (2"X4 1/2" SYSTEM FOR 1" GLASS) INTERIOR & EXTERIOR GLAZING

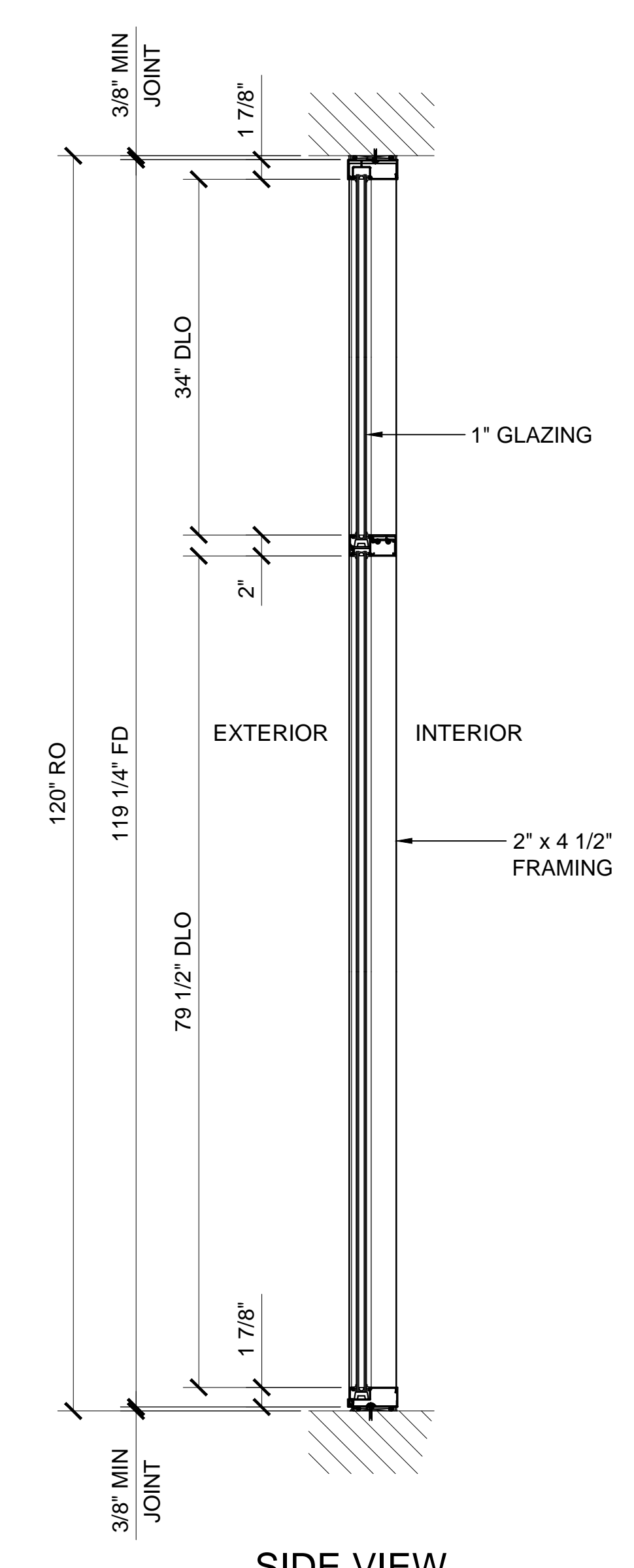
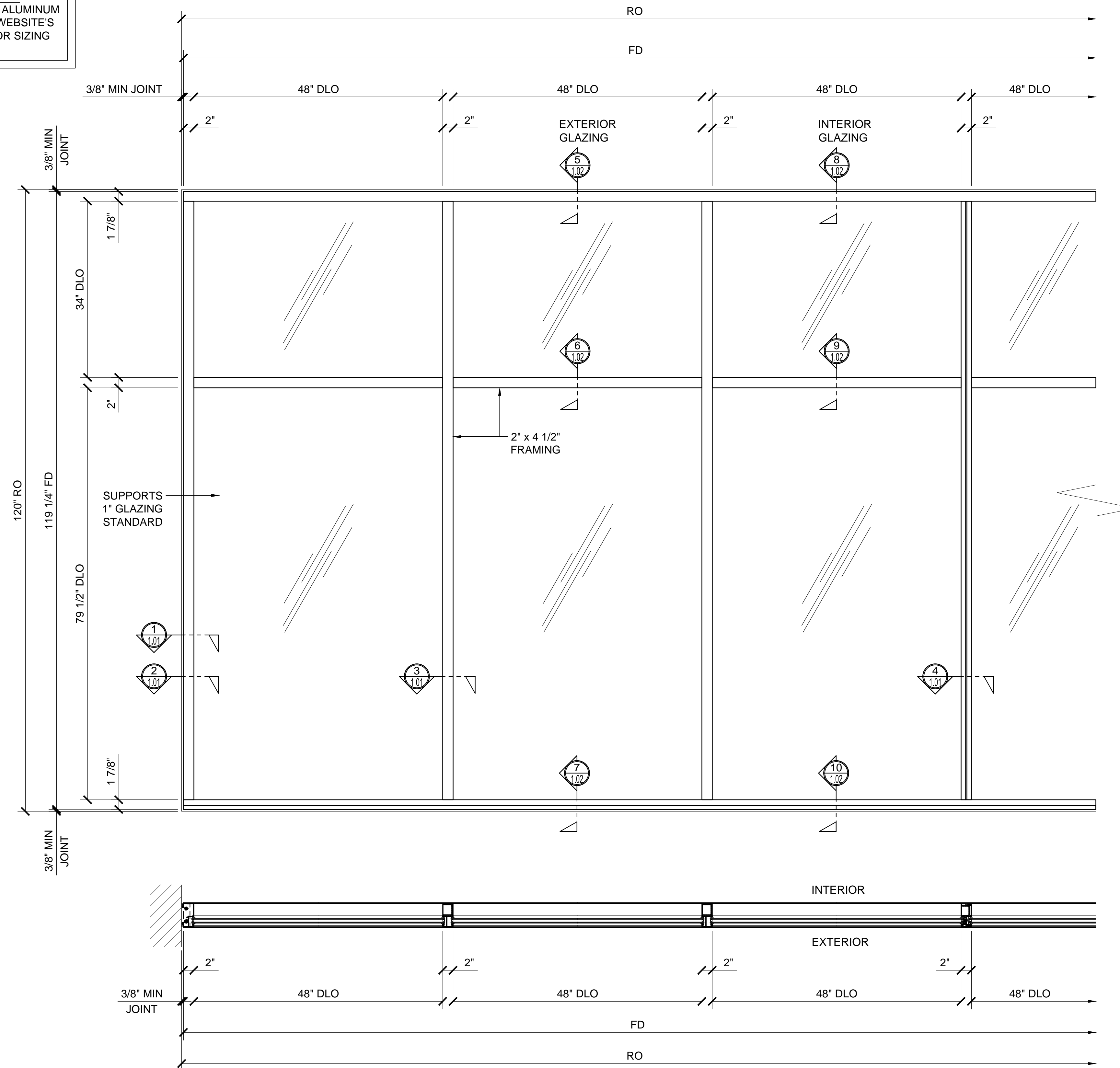
OS451 & OS451SG SERIES SPECIFICATIONS

Fabrication and installation labor costs have always been a decisive factor in selecting framing systems for storefront projects. U.S. Aluminum offers cost efficient versatile Offset Glazed Systems with clean lines and superb performance. Series OS451 & OS451SG were designed for labor saving stacking type installations, and may be interior or exterior glazed. A top load E.P.D.M. gasket is used to position and weatherseal the glass in the aluminum pocket. Offset Glazed Systems are compatible with most U.S. Aluminum entrance doors.

- 2" x 4 1/2" frame
- 1" Glazing infill (SHOWN) Optional snap-in reducers for 1/4" glass is available
- Full range of accessory components
- Available in an array of architectural coatings and anodized finishes
- Anchor clips assembly
- Interior or Exterior Glazed

GLASS SIZING NOTE:
REFERENCE U.S. ALUMINUM
CATALOGS AND WEBSITE'S
LOAD CHARTS FOR SIZING
GUIDELINES.

1" = 1'-0"



SIDE VIEW

STANDARD ABBREVIATIONS

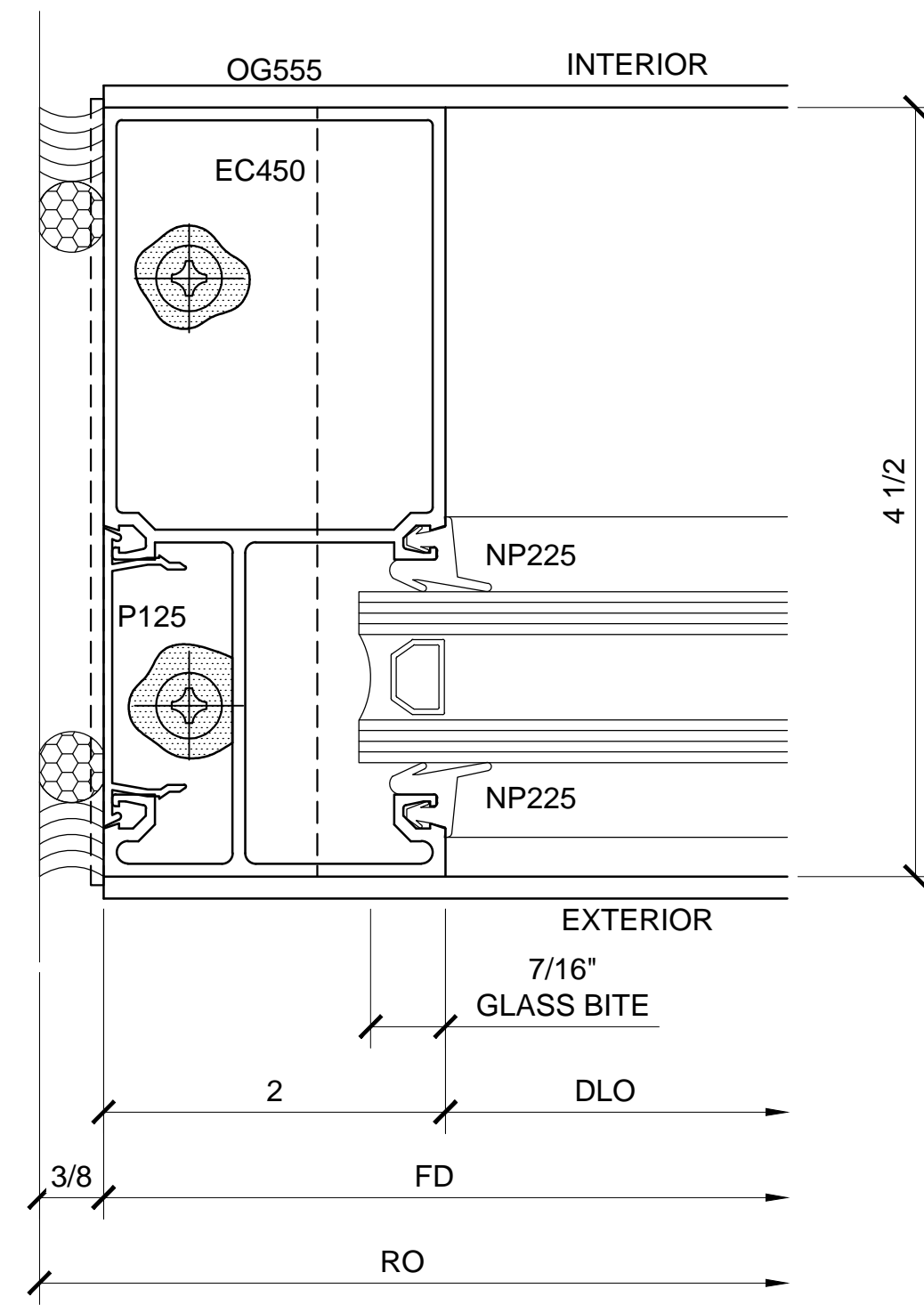
RO	ROUGH OPENING
FD	FRAME DIMENSION
DLO	DAYLIGHT OPENING
DO	DOOR OPENING
DD	DOOR DIMENSION
DP	DIMENSION POINT
SMC	SURFACE MOUNTED CLOSER
OHCC	OVERHEAD CONCEALED CLOSER

Revisions By:

CRL US ALUMINUM
C.R. LAURENCE CO. ARCHITECTURAL PRODUCTS
2503 E. Vernon Avenue, Los Angeles, CA 90058-1897
PH (800) 421-6144 FX 800-587-7301 www.crlaurence.com

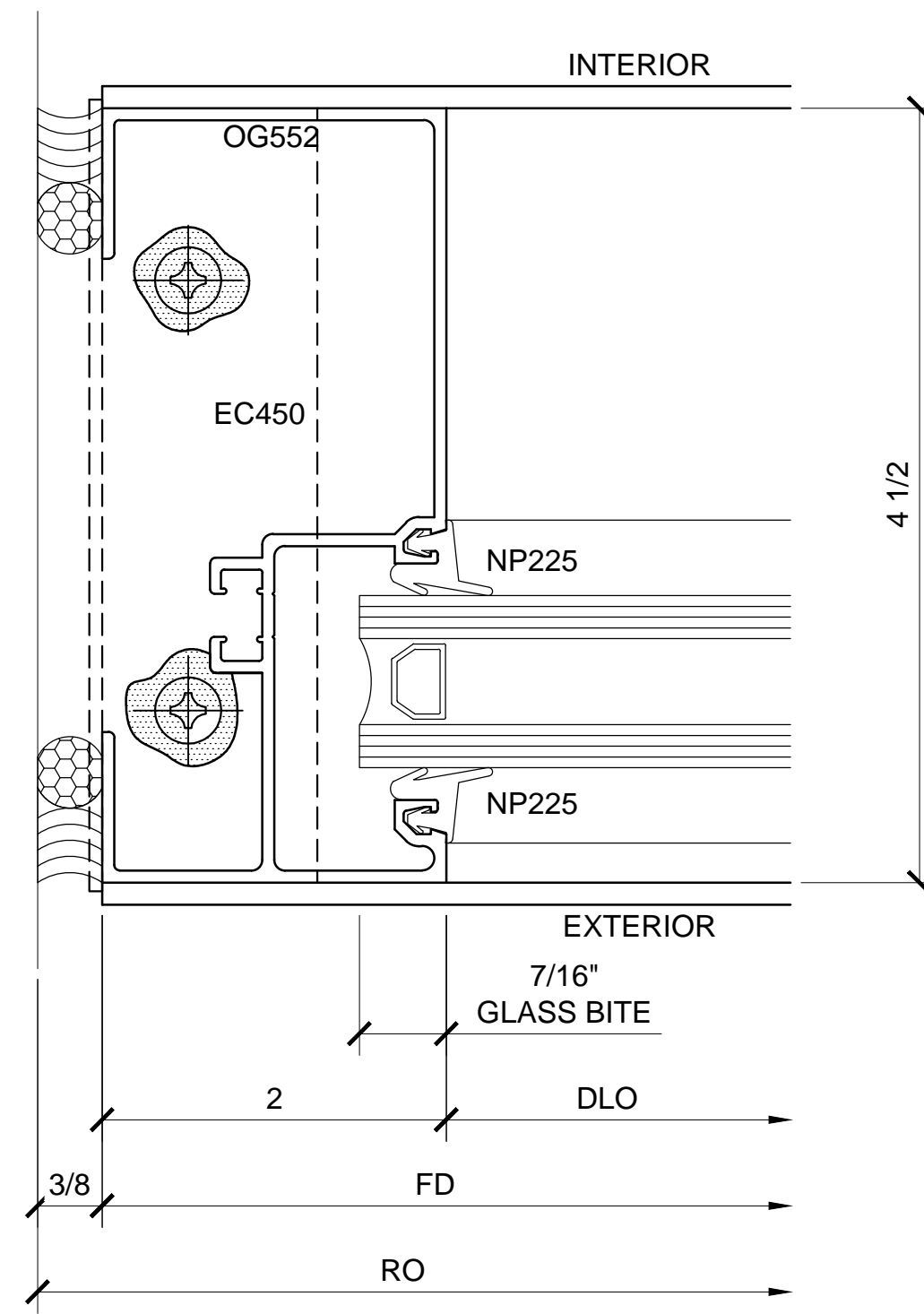
Description:
CRL US ALUMINUM
SERIES OS451 & OS451SG
WINDOW WALLS
FOR 1" & 1/4" GLASS

Drawn By: TMG
Date: 04/15/15
Scale: AS NOTED
File Name: OS451/OS451SG.dwg
Sheet



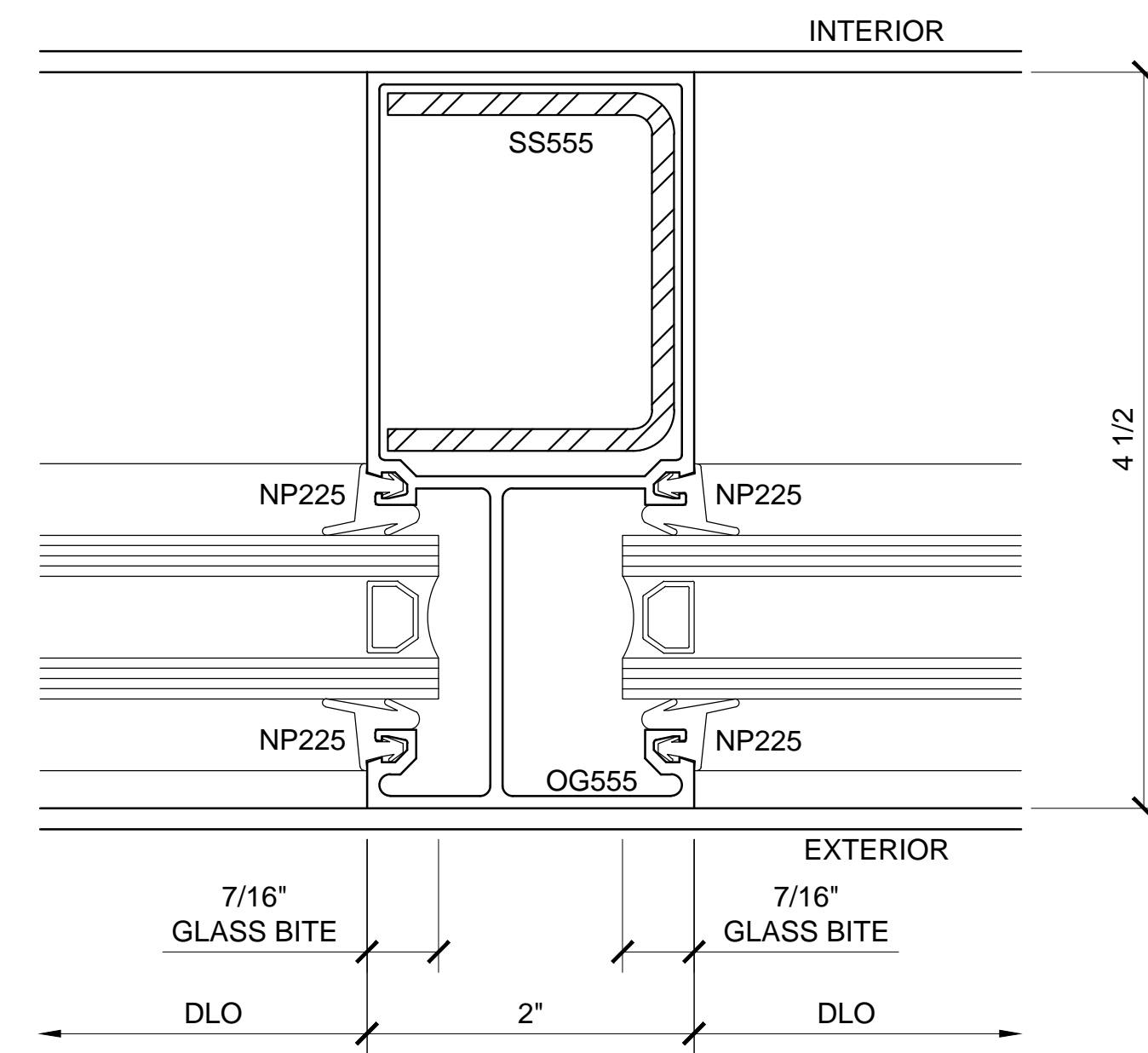
① SECTION DETAIL AT OPTIONAL JAMB

ARCH REF: N/A 1'-0"=1'-0"



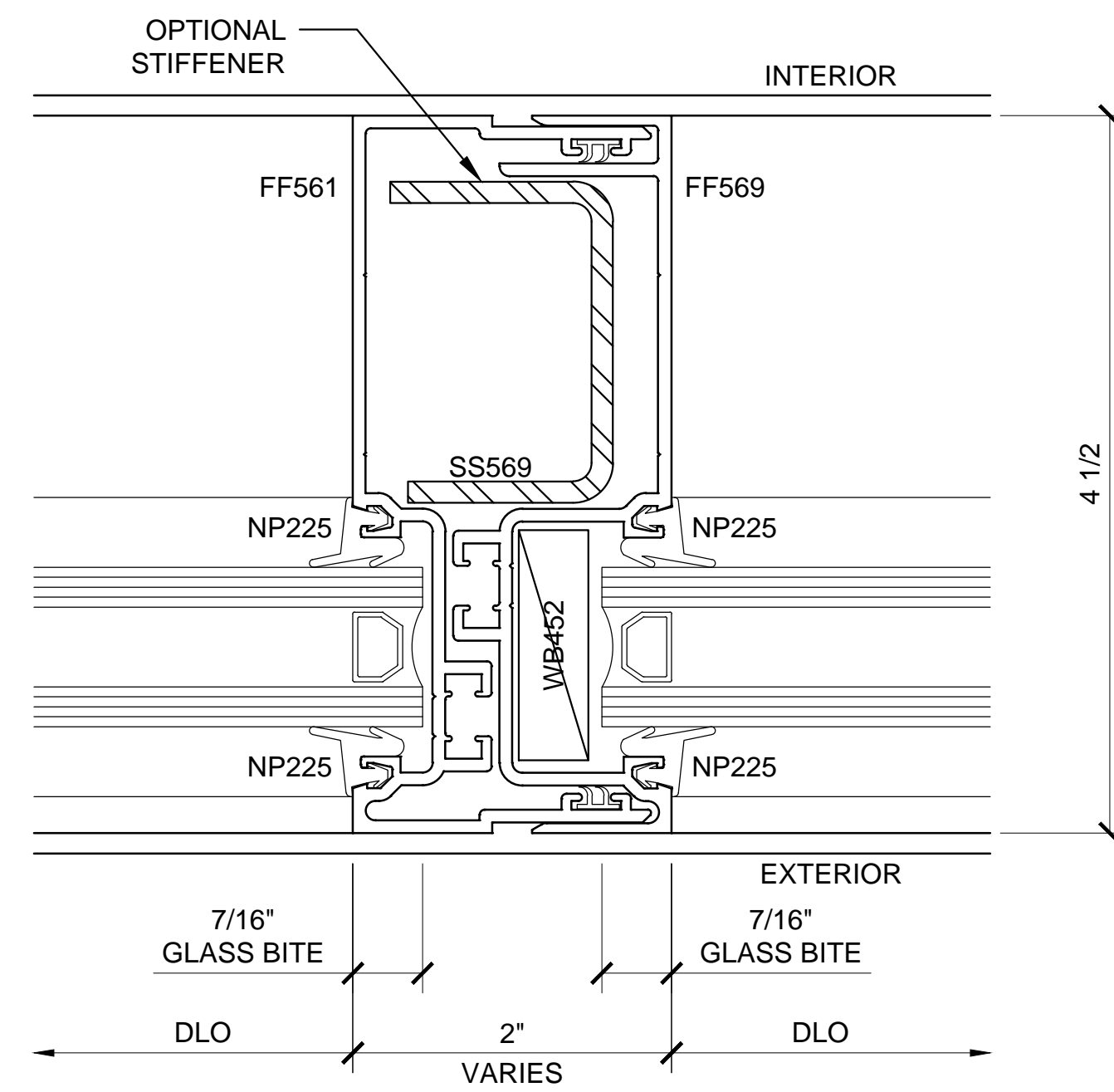
② SECTION DETAIL AT JAMB

ARCH REF: N/A 1'-0"=1'-0"



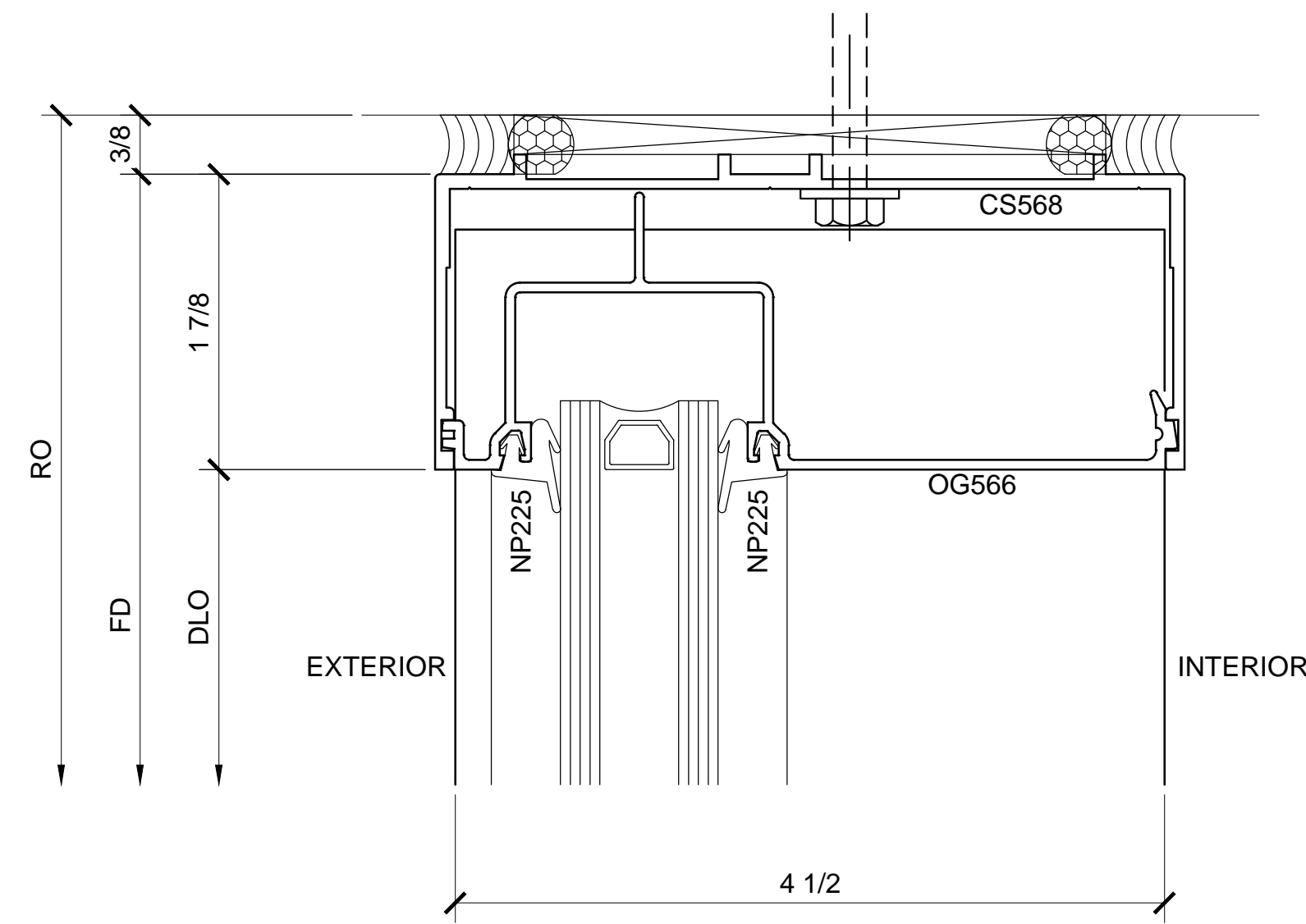
③ SECTION DETAIL AT VERTICAL

ARCH REF: N/A 1'-0"=1'-0"

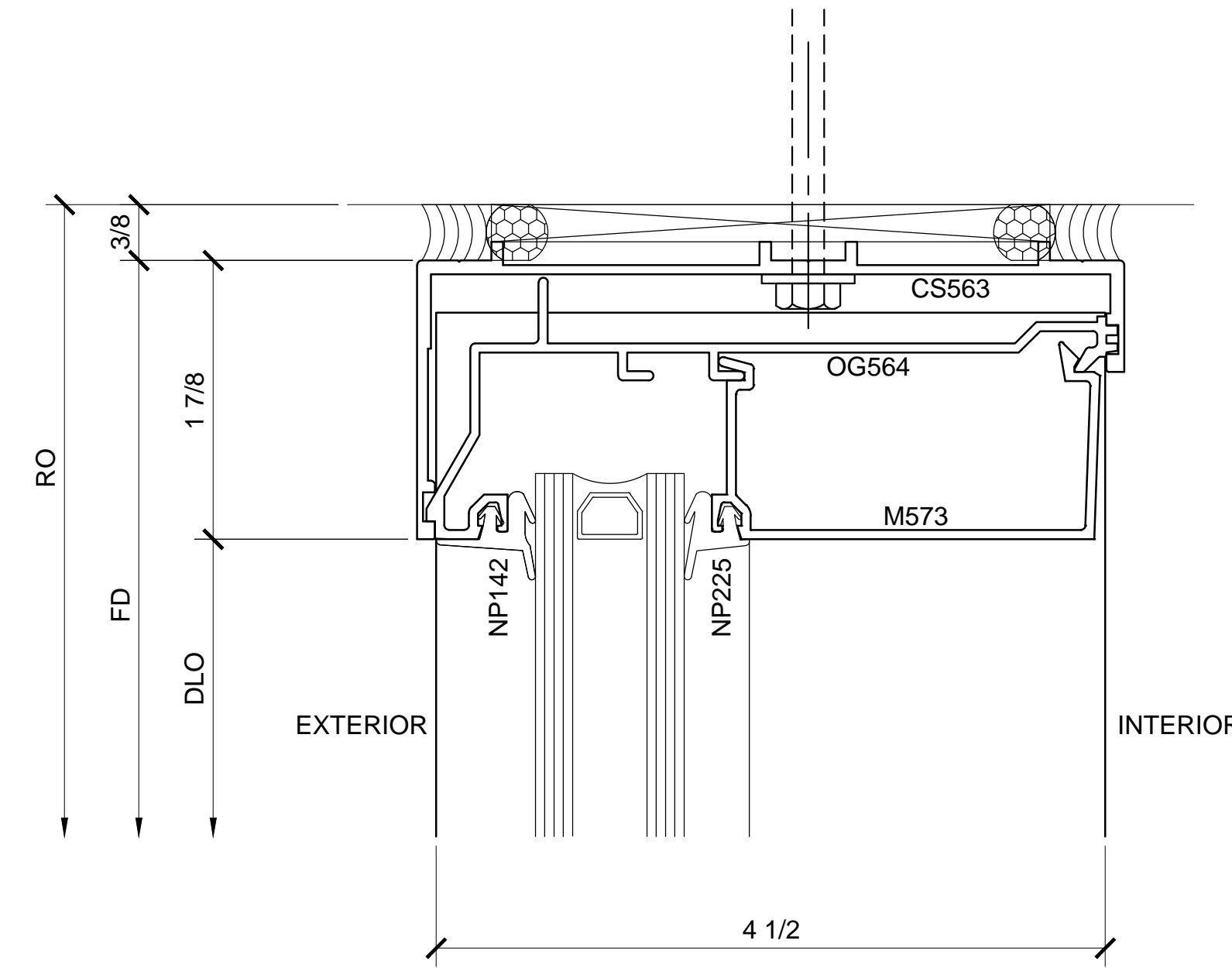


④ SECTION DETAIL AT EXPANSION MULLION

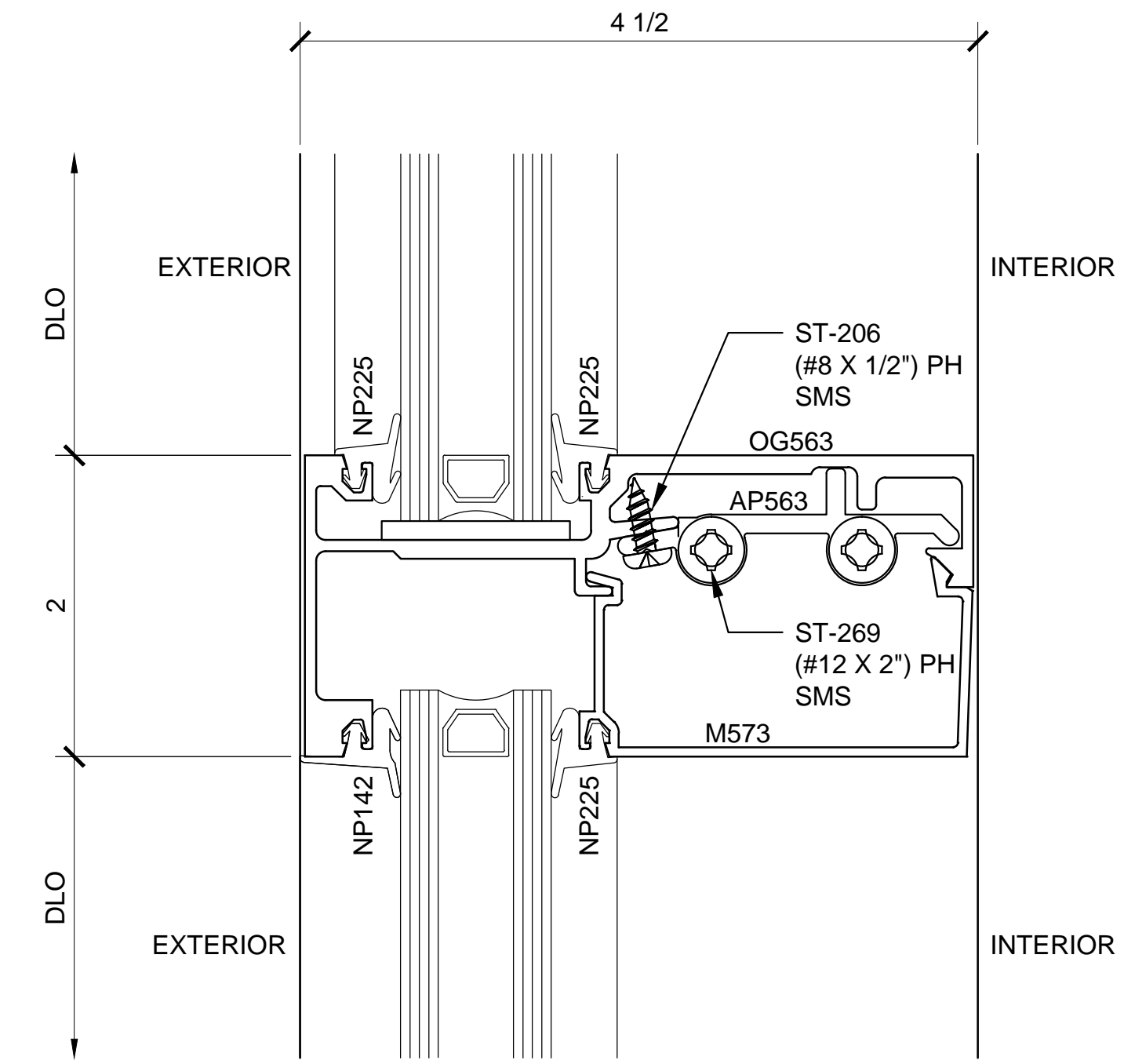
ARCH REF: N/A 1'-0"=1'-0"



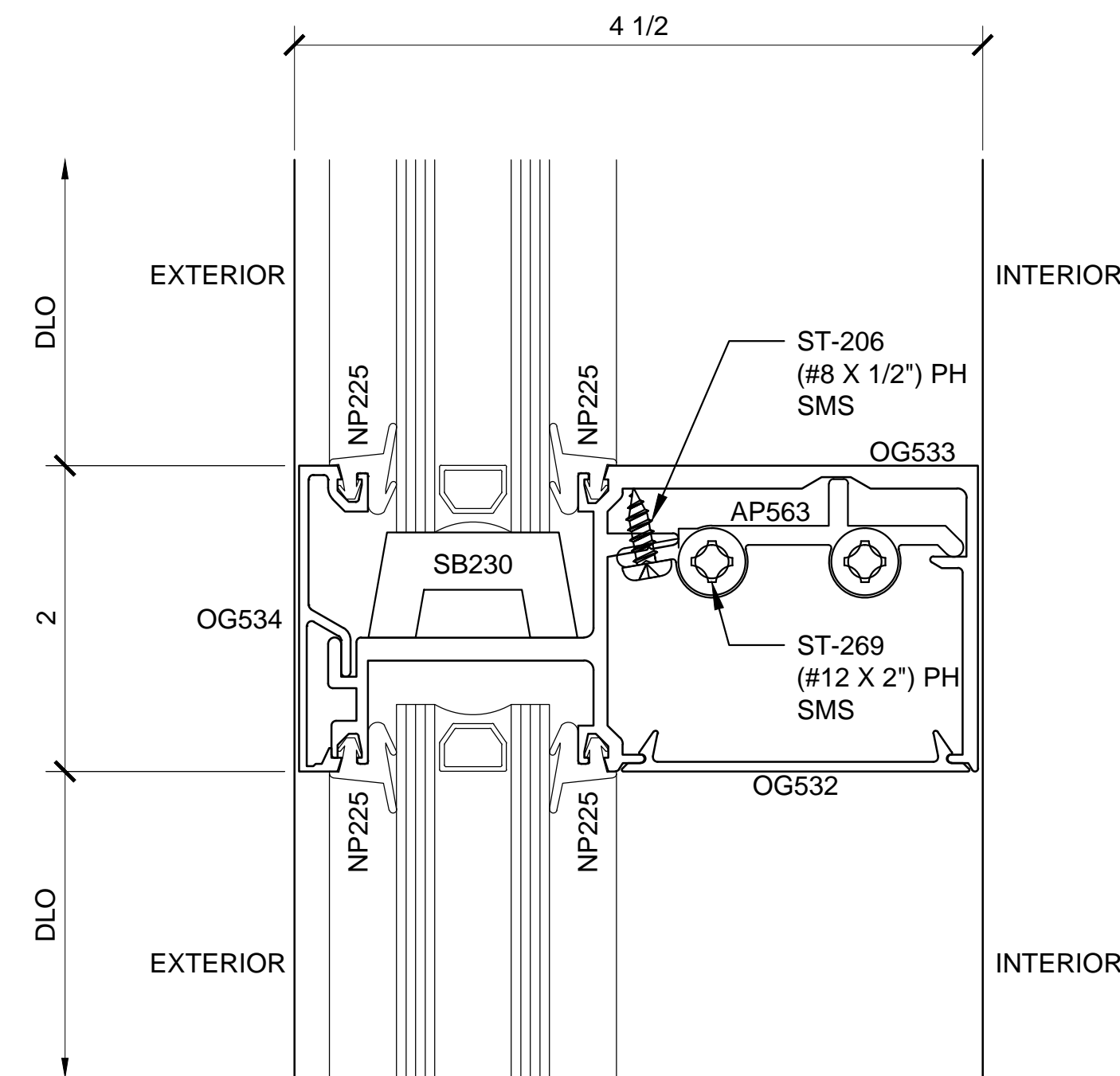
5 SECTION DETAIL AT HEAD
 ARCH REF: N/A EXTERIOR GLAZING 1'-0"=1'-0"



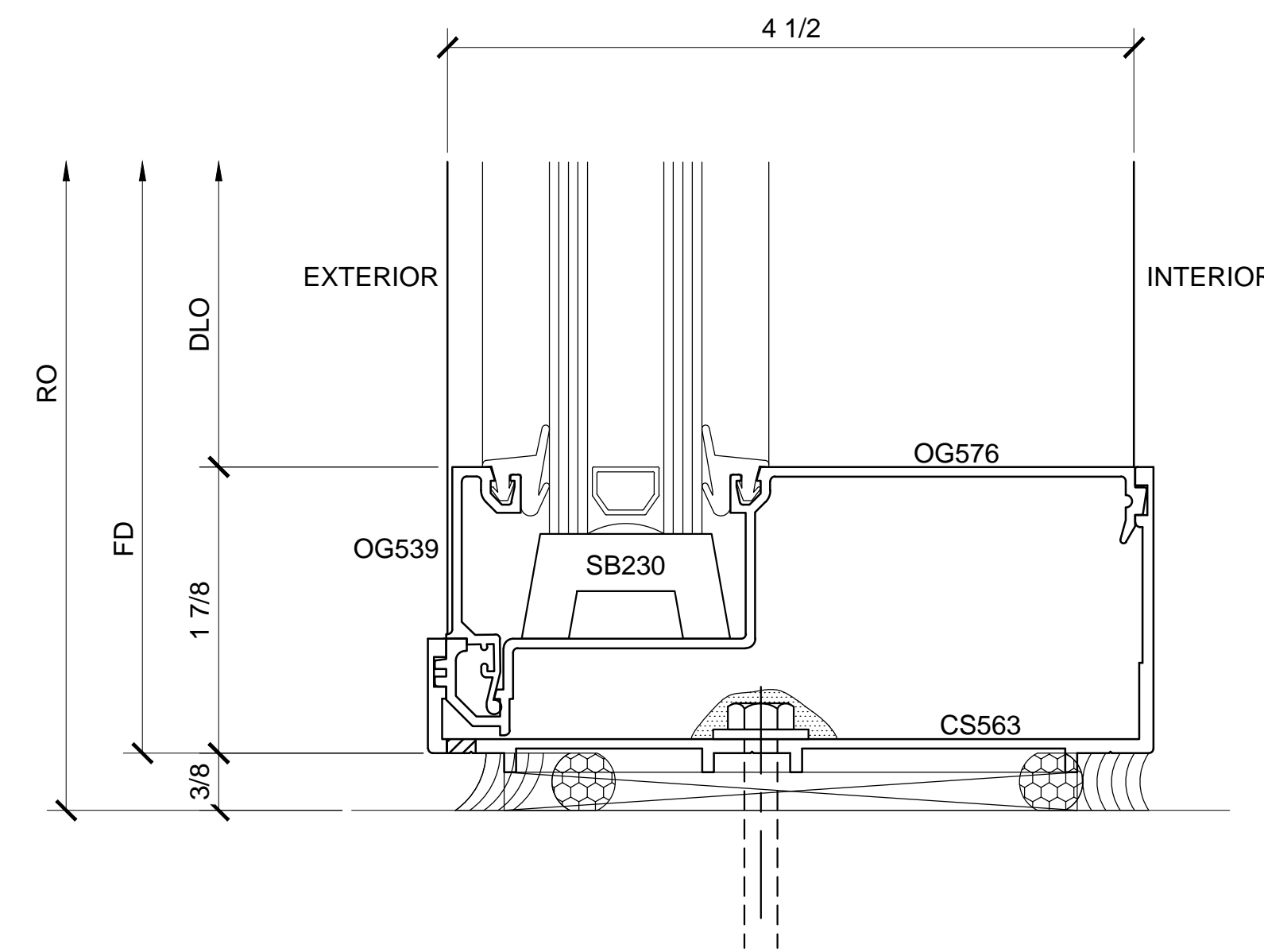
8 SECTION DETAIL AT HEAD
 ARCH REF: N/A INTERIOR GLAZING 1'-0"=1'-0"



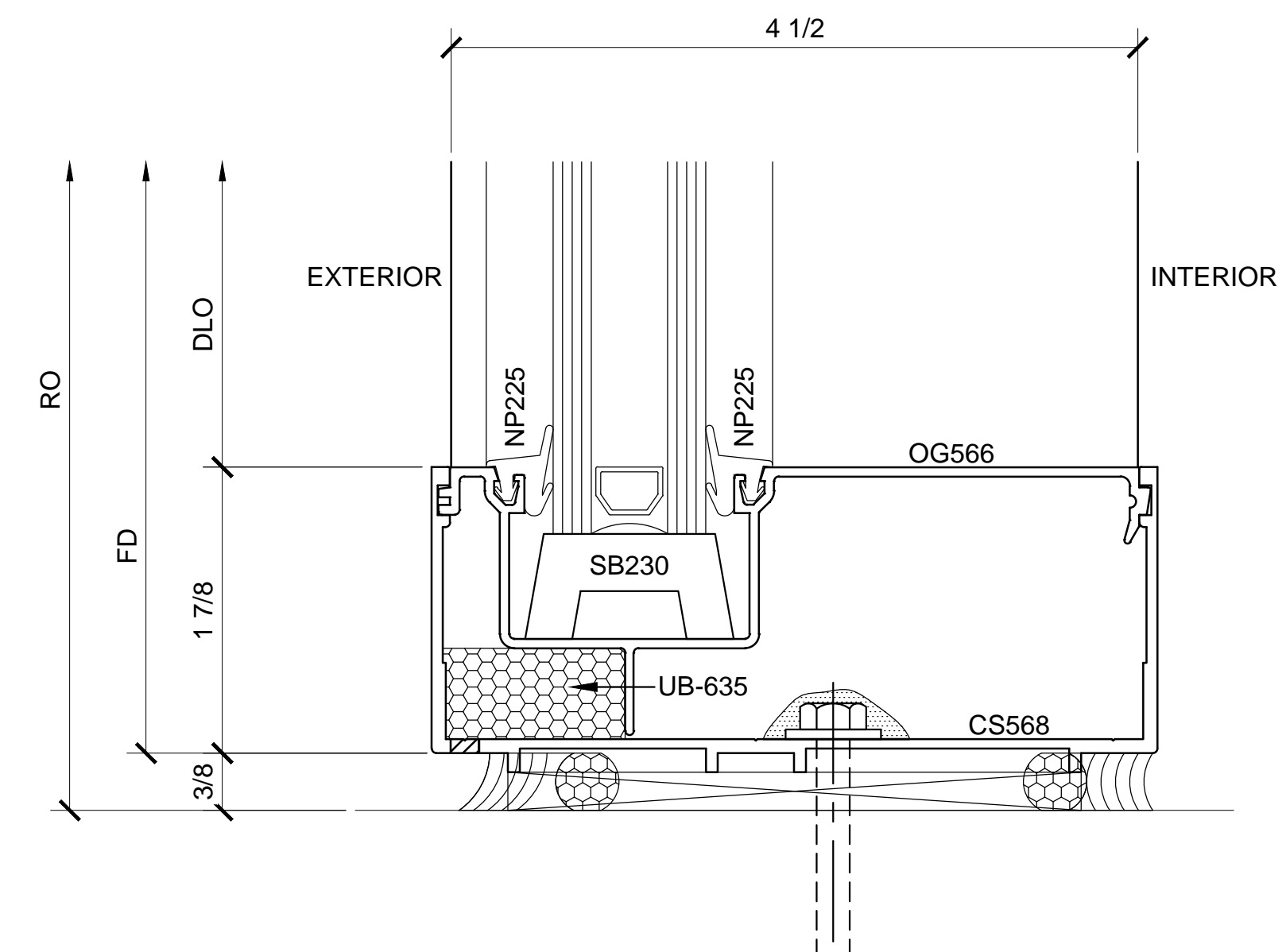
9 SECTION DETAIL AT INTERMEDIATE HORIZONTAL
 ARCH REF: N/A INTERIOR GLAZING 1'-0"=1'-0"



6 SECTION DETAIL AT INTERMEDIATE HORIZONTAL
 ARCH REF: N/A EXTERIOR GLAZING 1'-0"=1'-0"



7 SECTION DETAIL AT SILL
 ARCH REF: N/A EXTERIOR GLAZING 1'-0"=1'-0"



10 SECTION DETAIL AT SILL
 ARCH REF: N/A INTERIOR GLAZING 1'-0"=1'-0"

Discription:
 CRL US ALUMINUM
 SERIES OS451 & OS451SG
 WINDOW WALLS
 FOR 1" & 1/4" GLASS

Drawn By: TMG
 Date: 04/15/15
 Scale: AS NOTED
 File Name:
 OS451/OS451SG.dwg
 Sheet



WINDOW WALLS

OS-2 OFFSET SYSTEMS - OS451 SERIES (2"X4 1/2" SYSTEM FOR 1" GLASS) INTERIOR / EXTERIOR GLAZING WITH CENTER HUNG DOORS

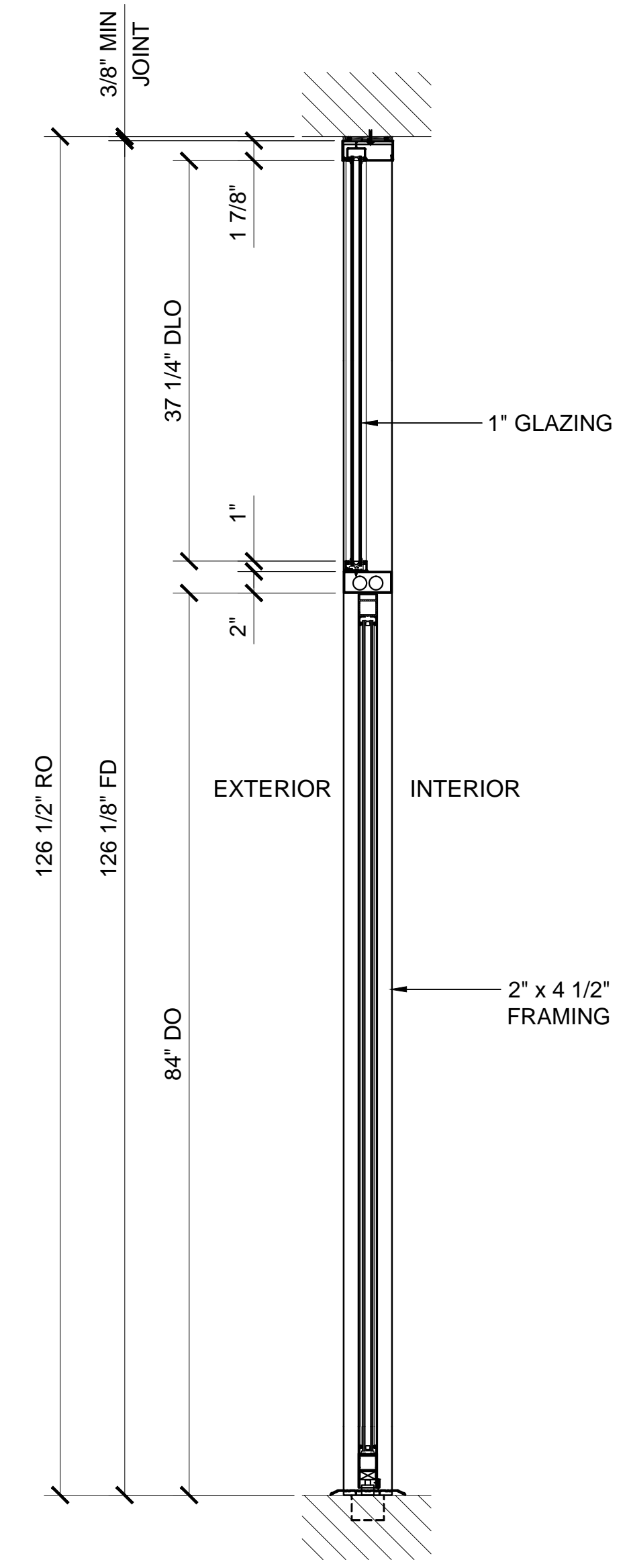
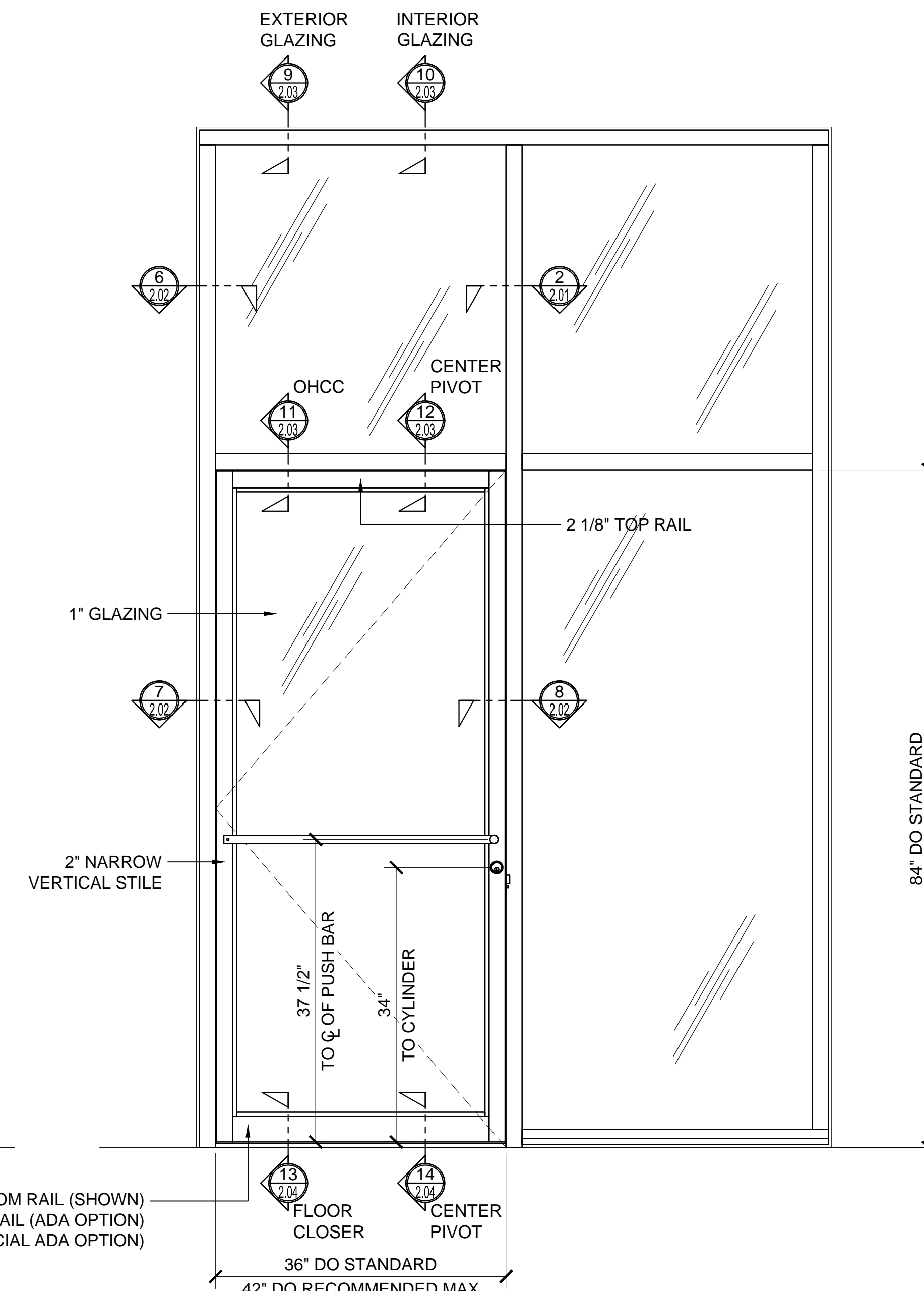
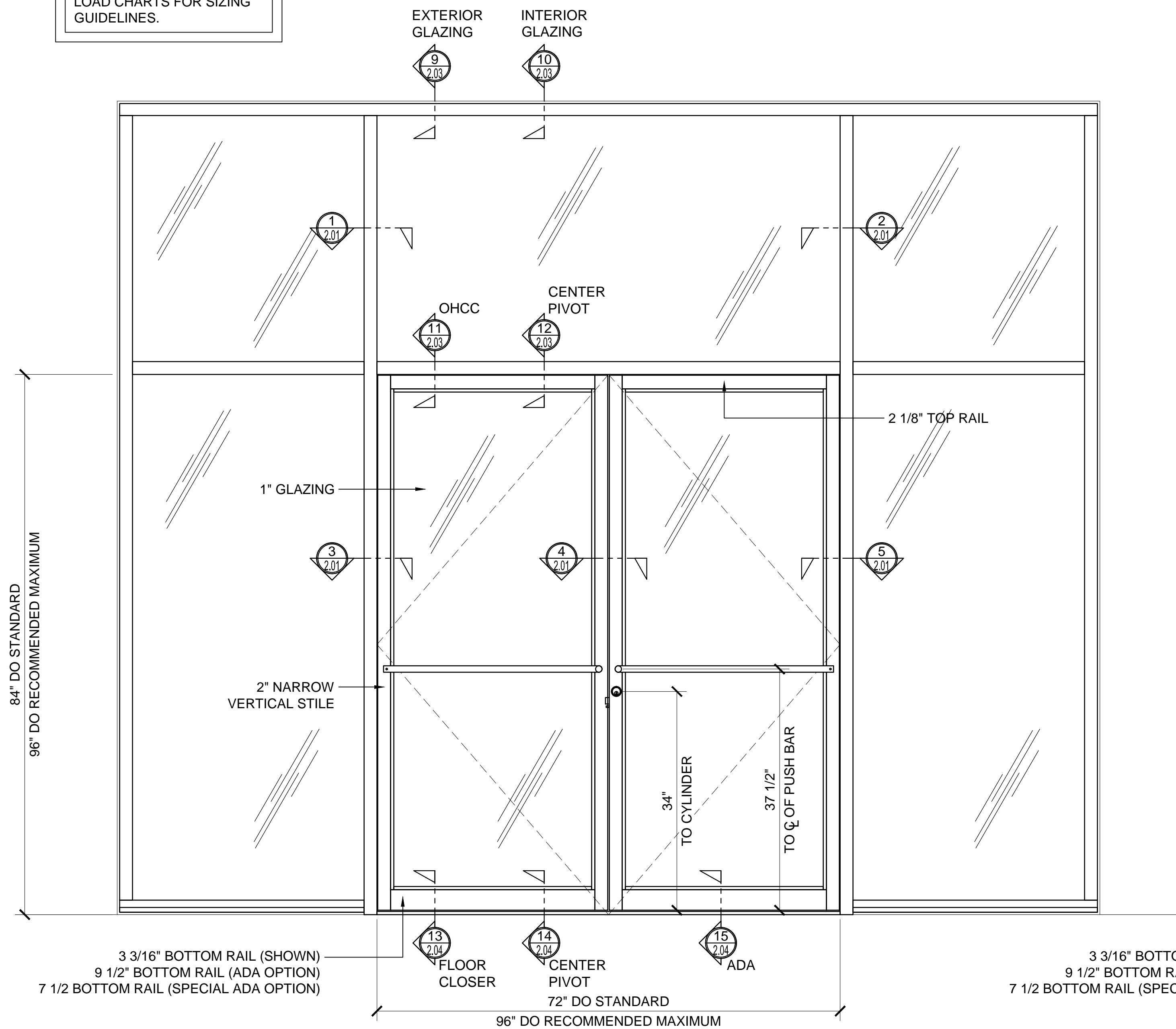
OS451 & OS451SG SERIES SPECIFICATIONS

Fabrication and installation labor costs have always been a decisive factor in selecting framing systems for storefront projects. U.S. Aluminum offers cost efficient versatile Offset Glazed Systems with clean lines and superb performance. Series OS451 & OS451SG were designed for labor saving stacking type installations, and may be interior or exterior glazed. A top load E.P.D.M. gasket is used to position and weatherseal the glass in the aluminum pocket. Offset Glazed Systems are compatible with most U.S. Aluminum entrance doors.

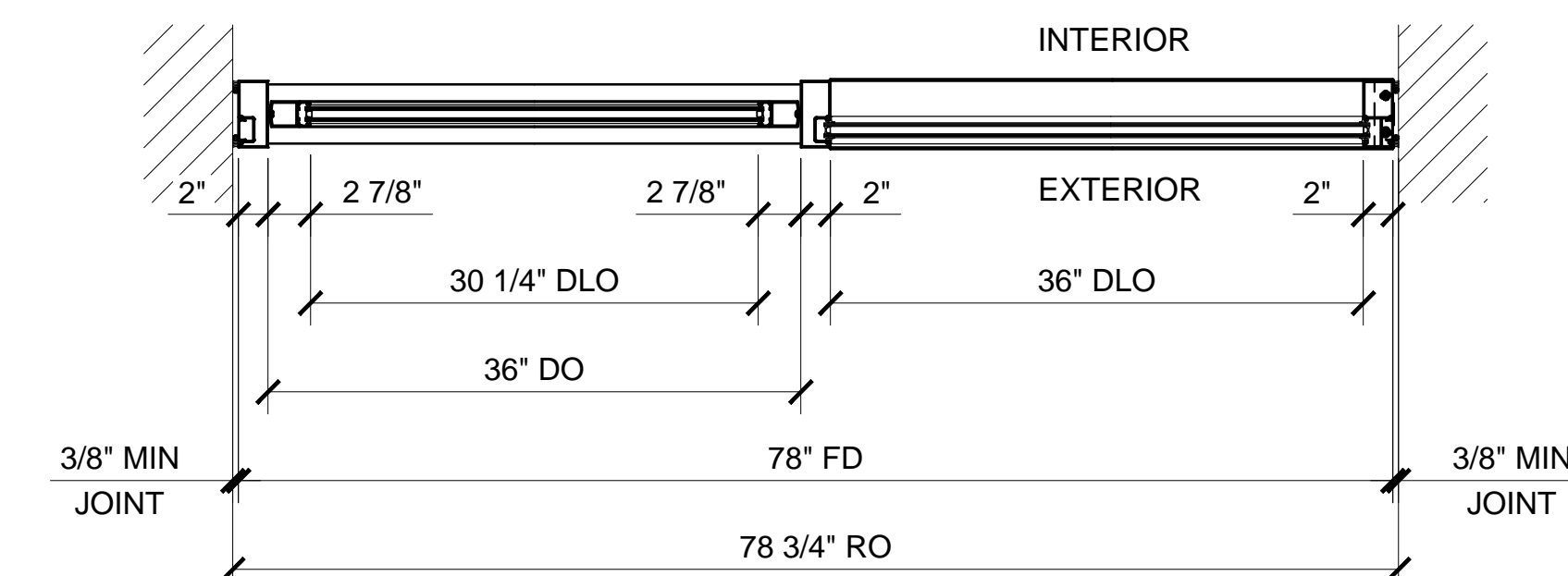
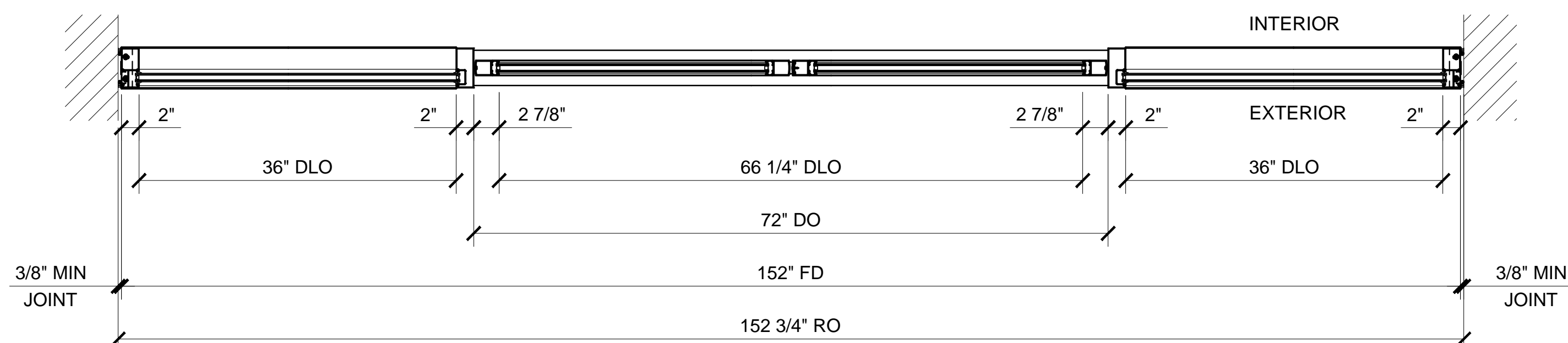
2" x 4 1/2" frame
1" Glazing infill (SHOWN) Optional snap-in reducers for 1/4" glass is available
Full range of accessory components
Available in an array of architectural coatings and anodized finishes
Anchor clips assembly
Interior or Exterior Glazed

1" = 1'-0"

GLASS SIZING NOTE:
REFERENCE U.S. ALUMINUM
CATALOGS AND WEBSITE'S
LOAD CHARTS FOR SIZING
GUIDELINES.



SIDE VIEW



STANDARD ABBREVIATIONS

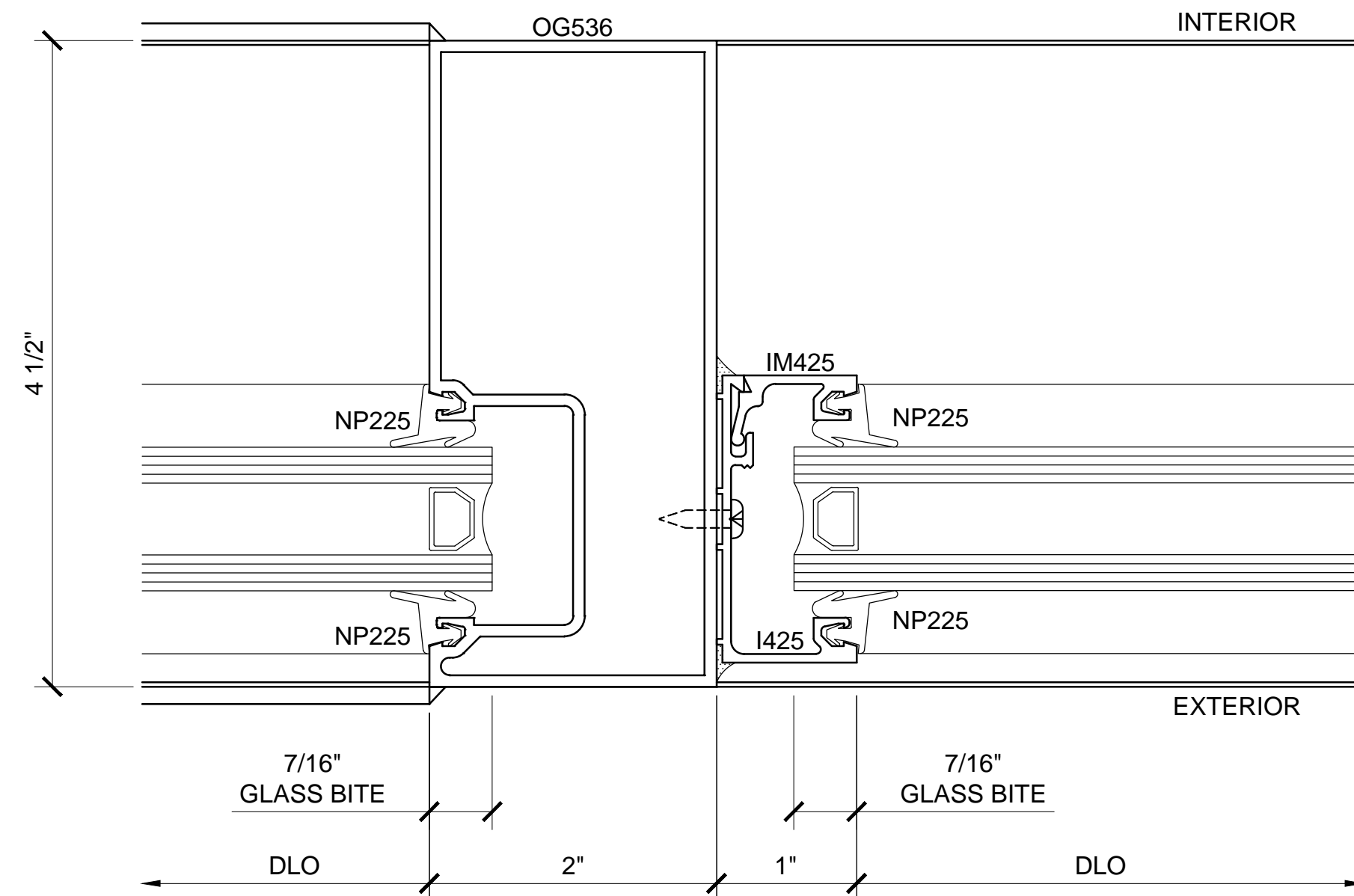
RO	ROUGH OPENING
FD	FRAME DIMENSION
DLO	DAYLIGHT OPENING
DO	DOOR OPENING
DD	DOOR DIMENSION
DP	DIMENSION POINT
SMC	SURFACE MOUNTED CLOSER
OHCC	OVERHEAD CONCEALED CLOSER

Revisions By:

C.R. LAURENCE CO. ARCHITECTURAL PRODUCTS
2503 E. Vermont Avenue, Los Angeles, CA 90058-1897
PH (800)-421-6144 FX: 800-587-7301 www.crlaurence.com

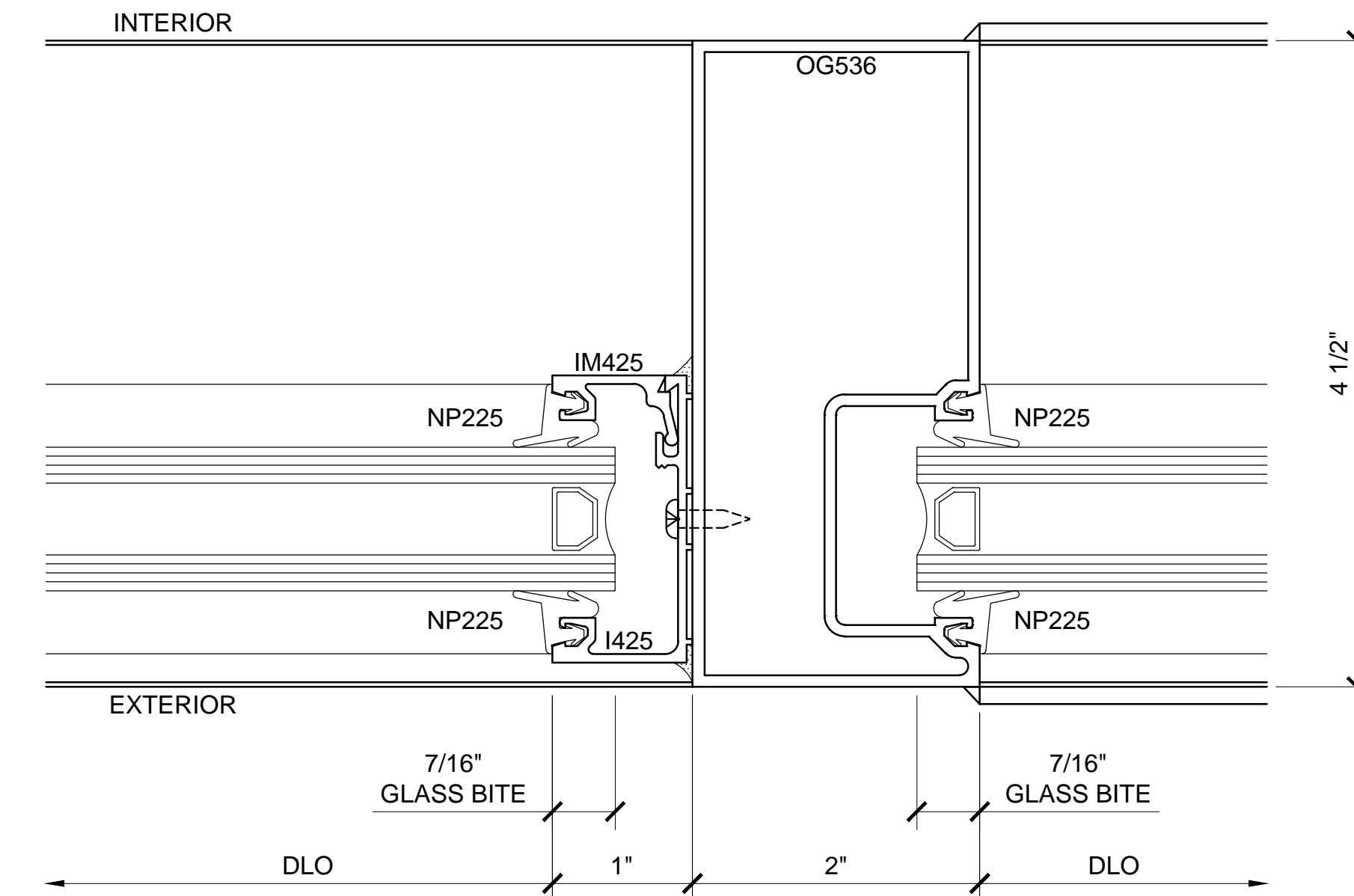
Description:
CRL US ALUMINUM
SERIES OS451 & OS451SG
WINDOW WALLS
FOR 1" & 1/4" GLASS

Drawn By: TMG
Date: 04/15/15
Scale: AS NOTED
File Name: OS451/OS451SG.dwg
Sheet



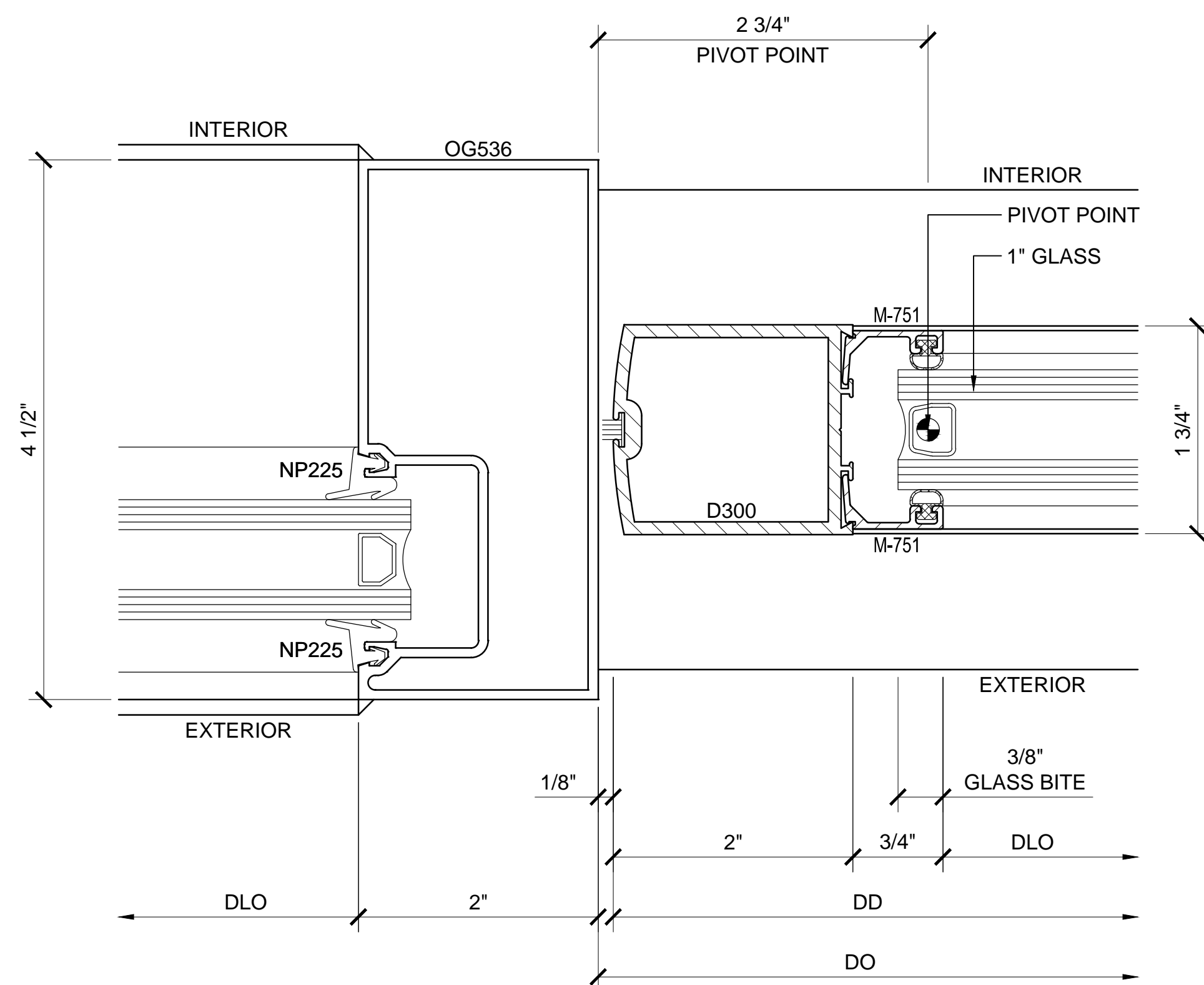
1 SECTION DETAIL AT VERTICAL

ARCH REF: N/A 1'-0"=1'-0"



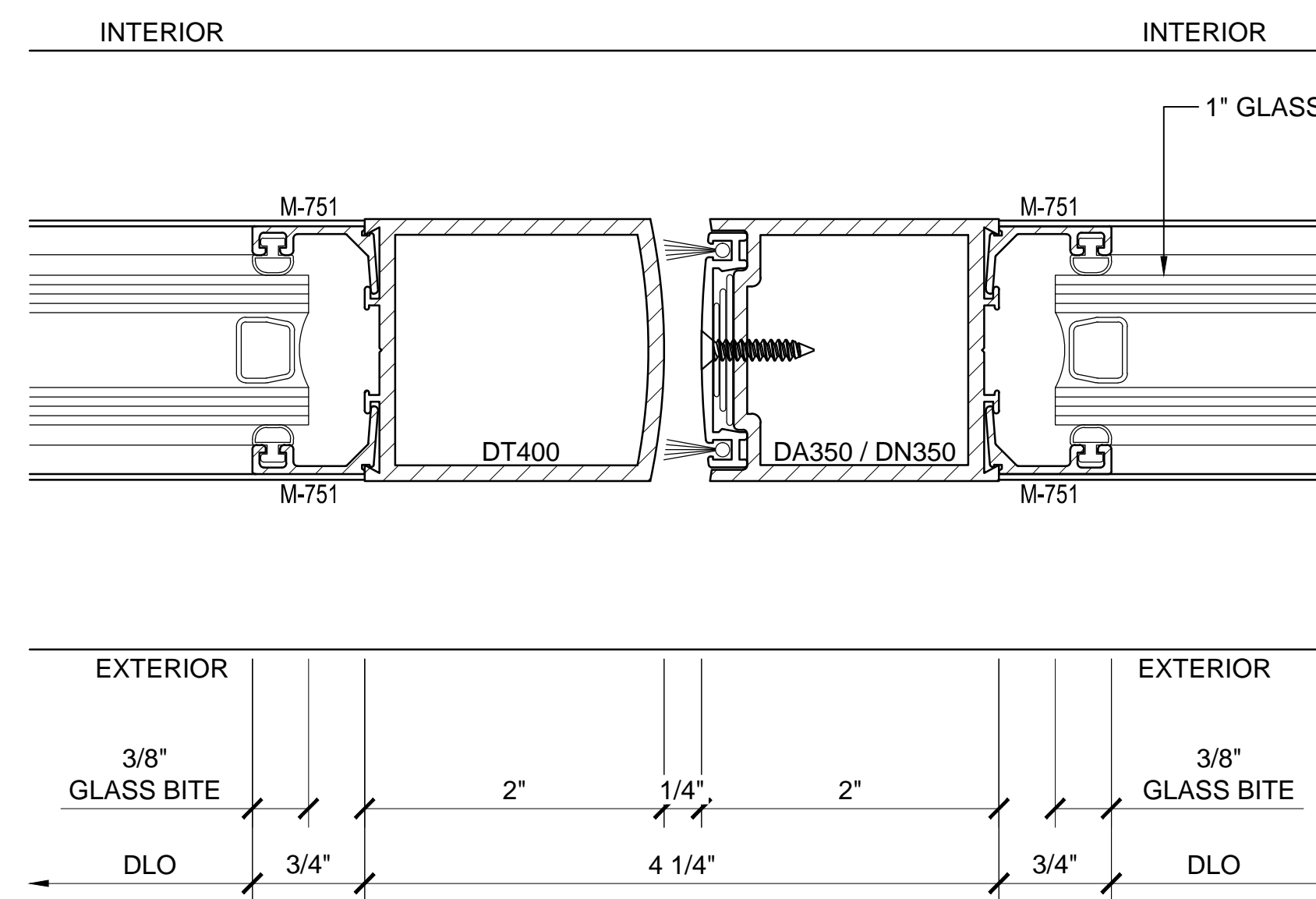
2 SECTION DETAIL AT VERTICAL

ARCH REF: N/A 1'-0"=1'-0"



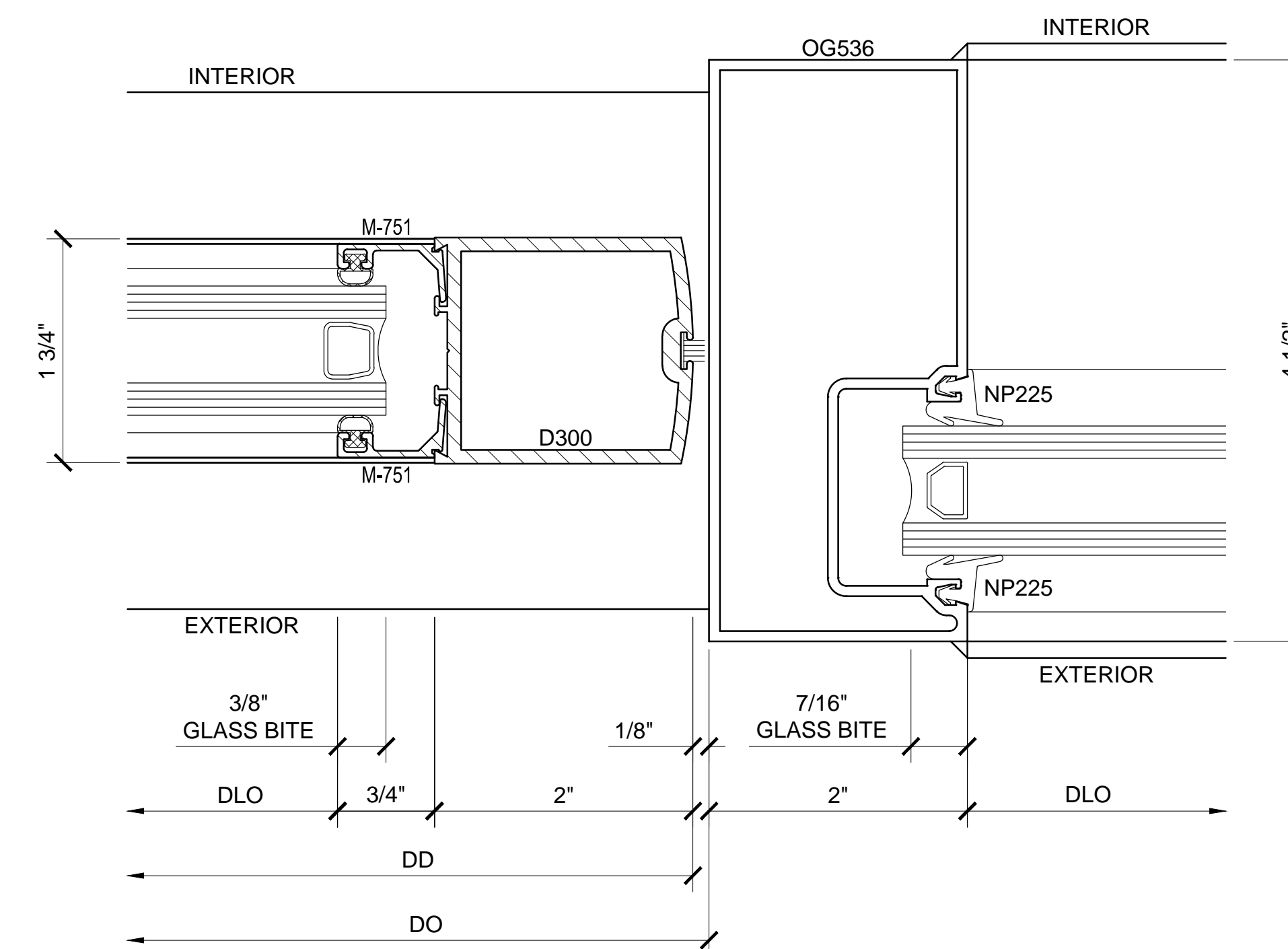
3 SECTION DETAIL AT DOOR JAMB

ARCH REF: N/A 1'-0"=1'-0"



4 SECTION DETAIL AT MEETING STILES

ARCH REF: N/A 1'-0"=1'-0"

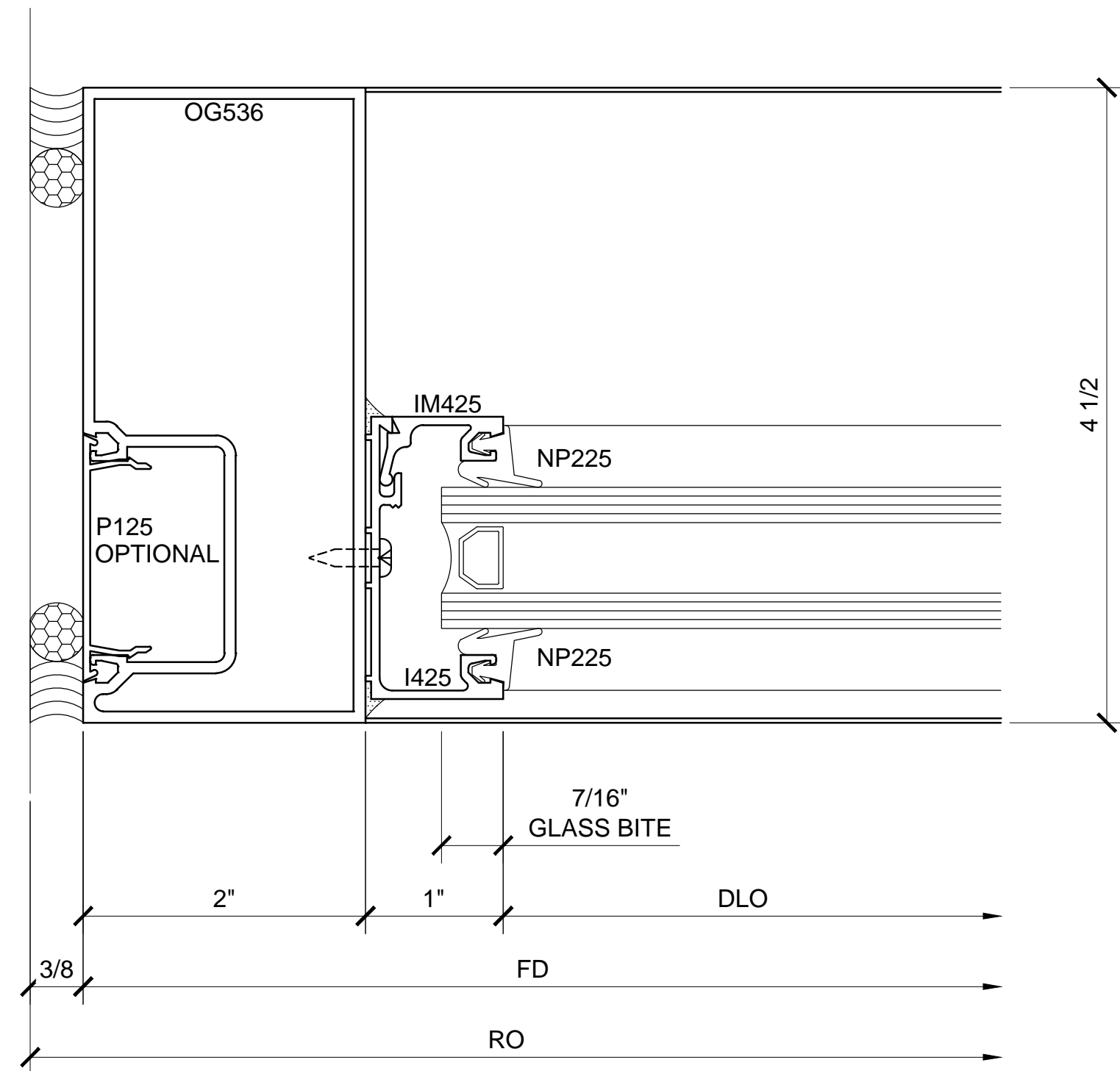


5 SECTION DETAIL AT DOOR JAMB

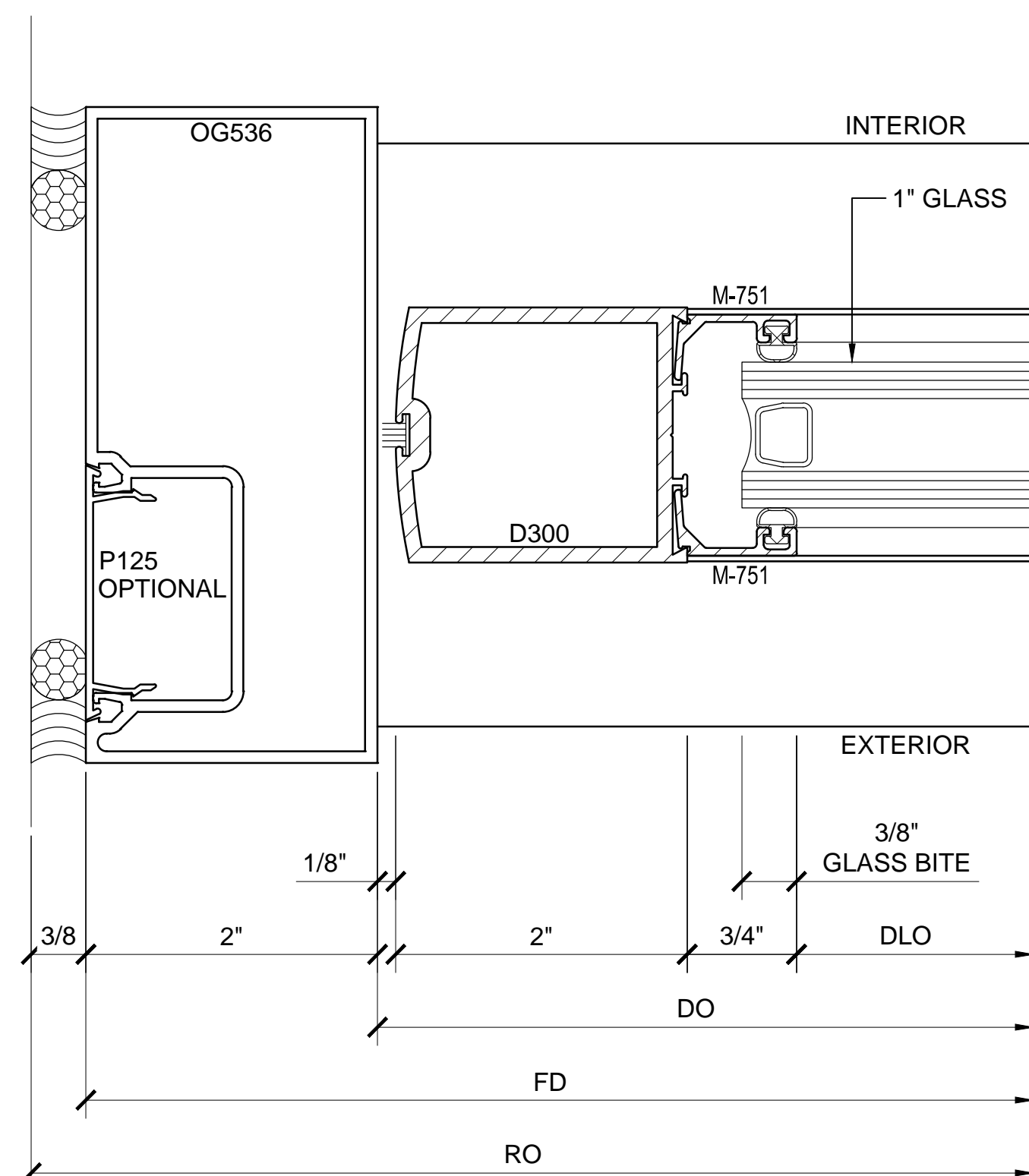
ARCH REF: N/A 1'-0"=1'-0"

Description:
 CRL US ALUMINUM
 SERIES OS451 & OS451SG
 WINDOW WALLS
 FOR 1" & 1/4" GLASS

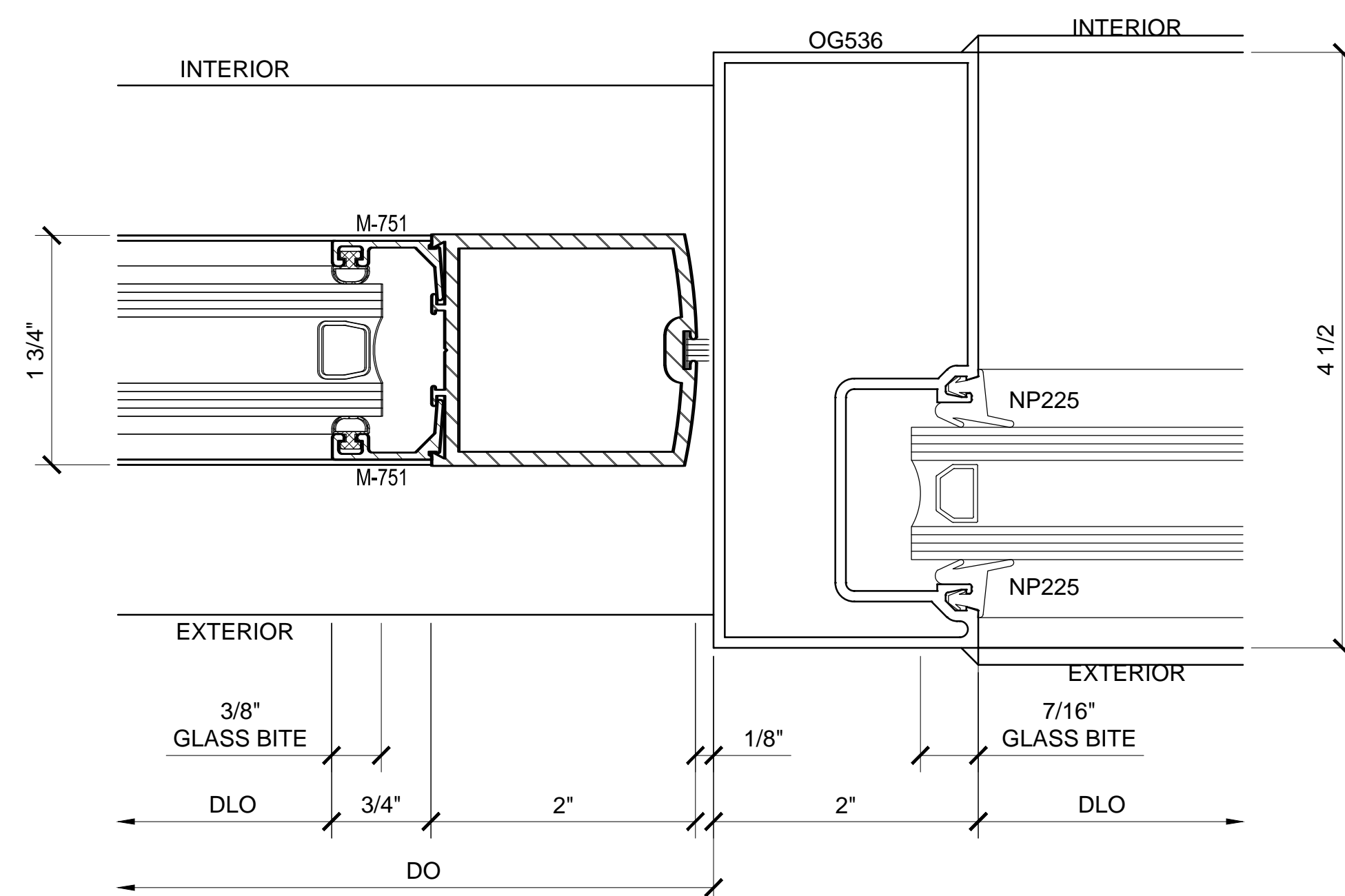
Drawn By: TMG
 Date: 04/15/15
 Scale: AS NOTED
 File Name:
 OS451/OS451SG.dwg
 Sheet



6 SECTION DETAIL AT TRANSOM
 ARCH REF: N/A 1'-0"=1'-0"



7 SECTION DETAIL AT DOOR JAMB
 ARCH REF: N/A 1'-0"=1'-0"



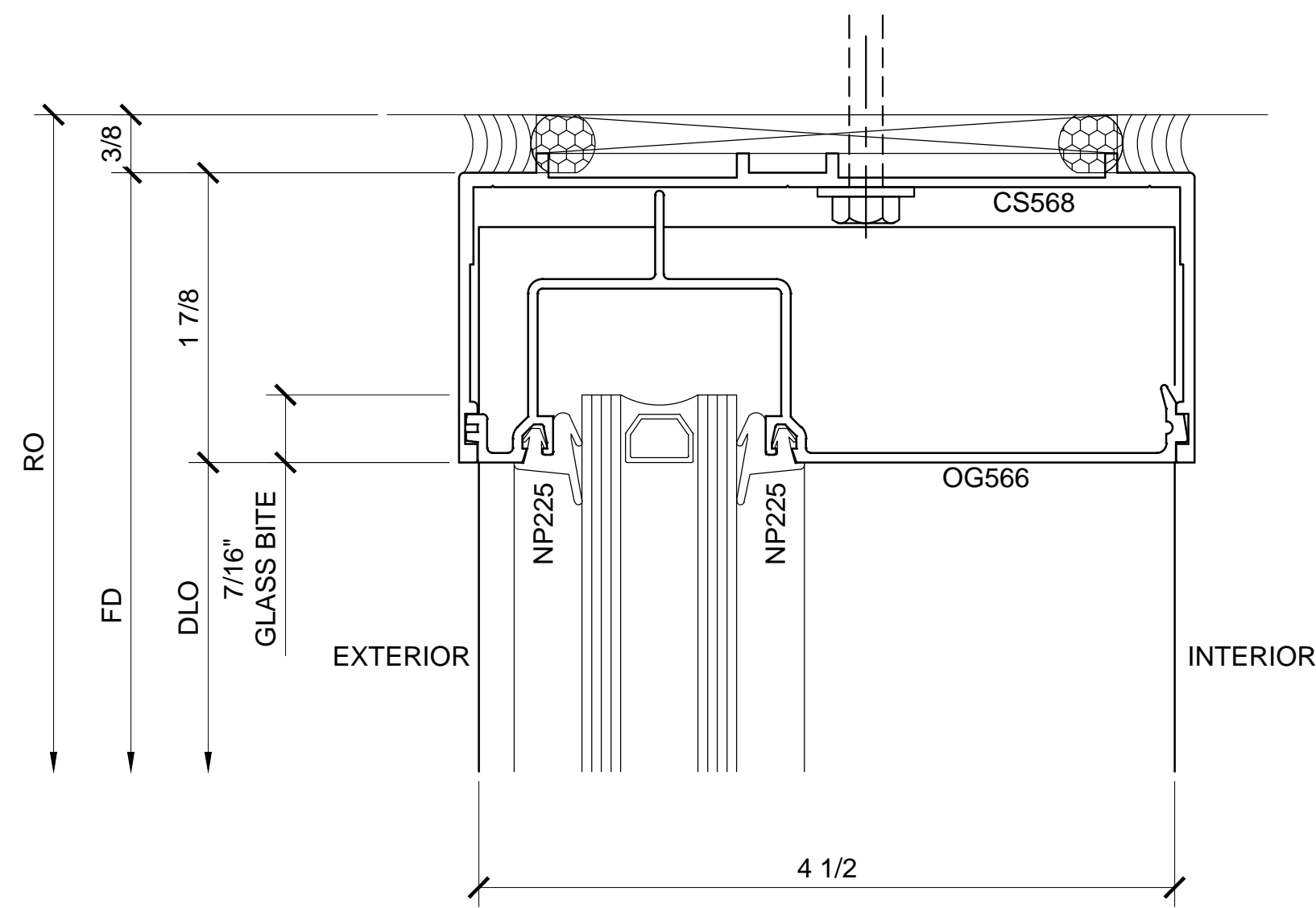
8 SECTION DETAIL AT JAMB
 ARCH REF: N/A 1'-0"=1'-0"

Revisions By:



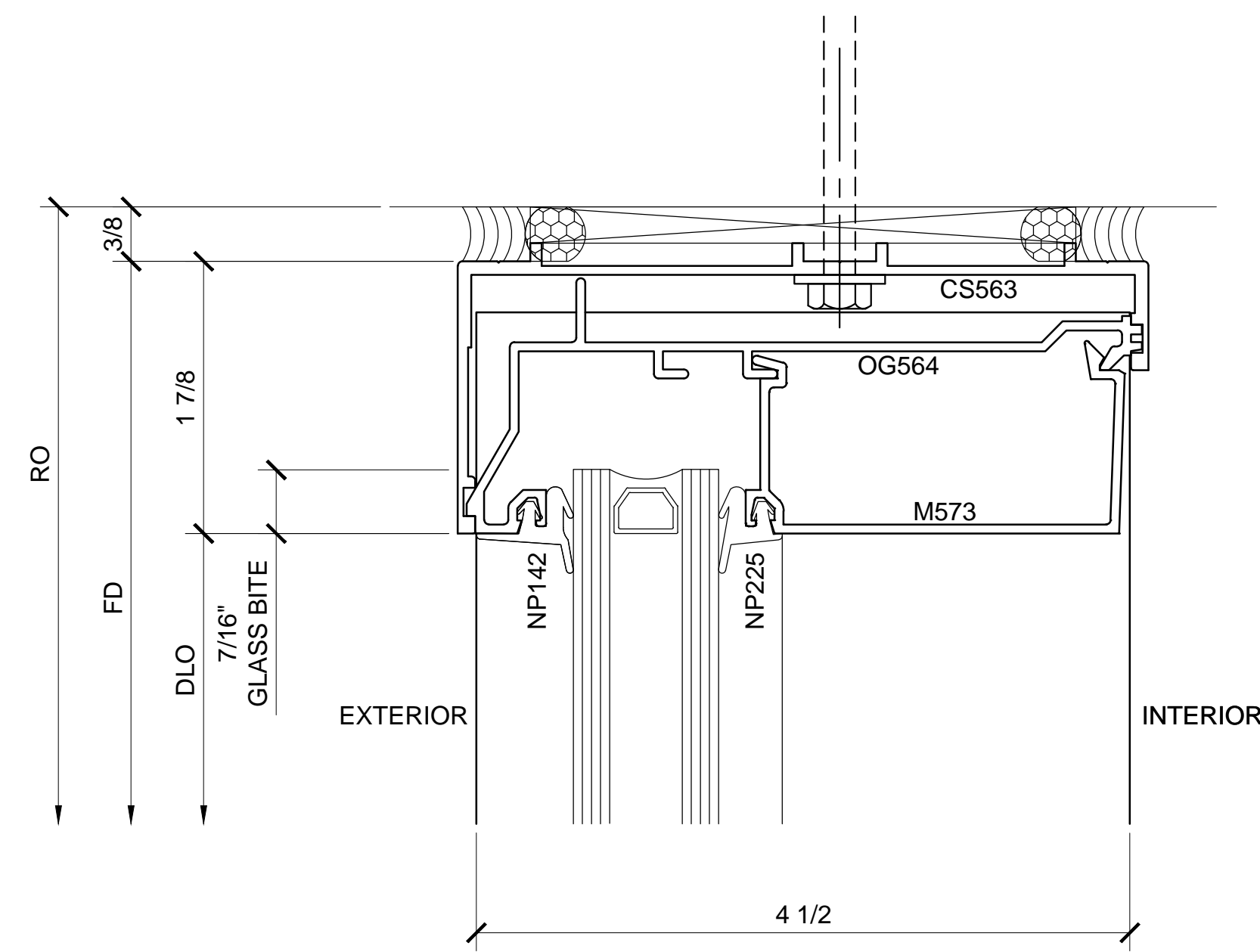
Description:
 CRL US ALUMINUM
 SERIES OS451 & OS451SG
 WINDOW WALLS
 FOR 1" & 1/4" GLASS

Drawn By: TMG
 Date: 04/15/15
 Scale: AS NOTED
 File Name:
 OS451/OS451SG.dwg
 Sheet



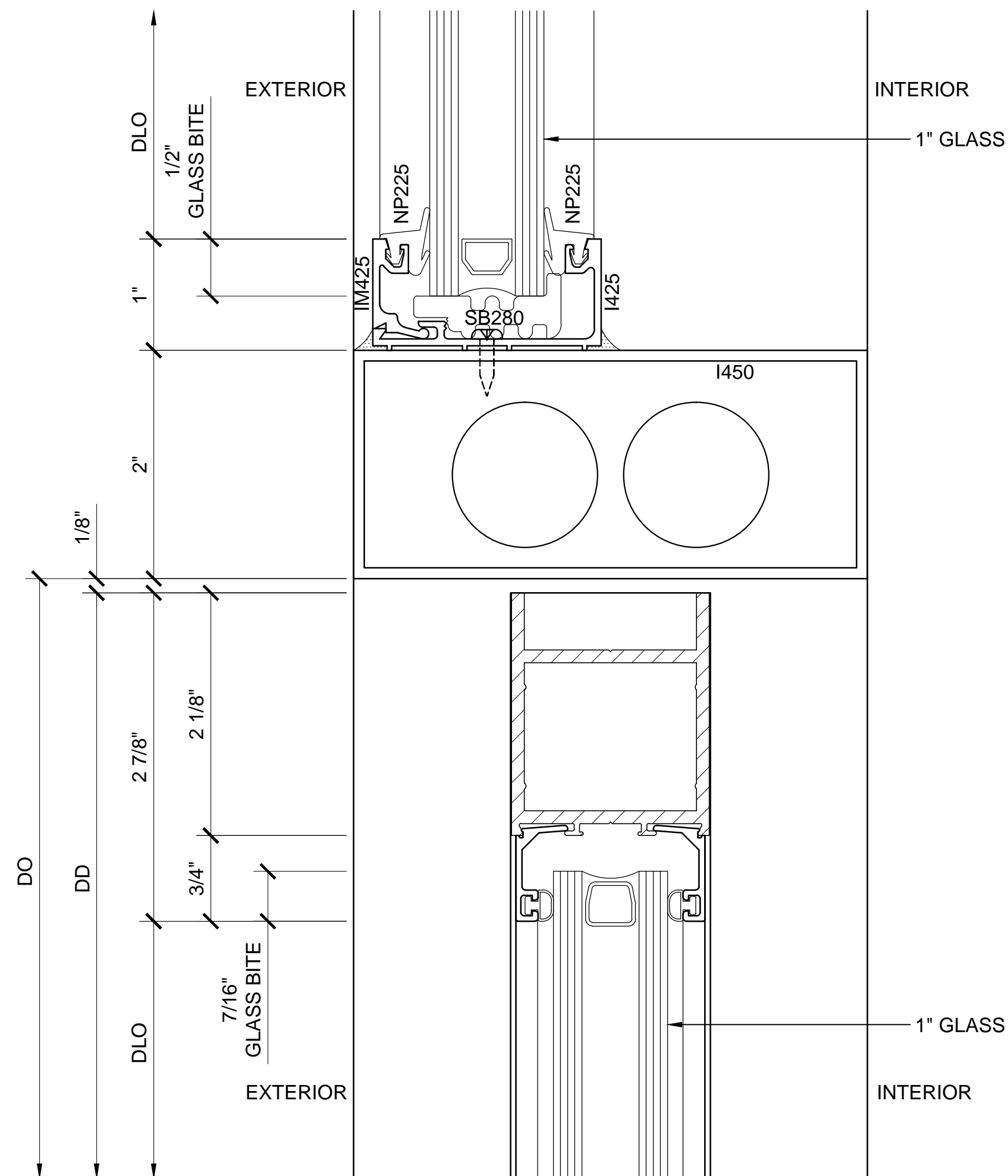
9 SECTION DETAIL AT HEAD

ARCH REF: N/A EXTERIOR GLAZING 1'-0"=1'-0"



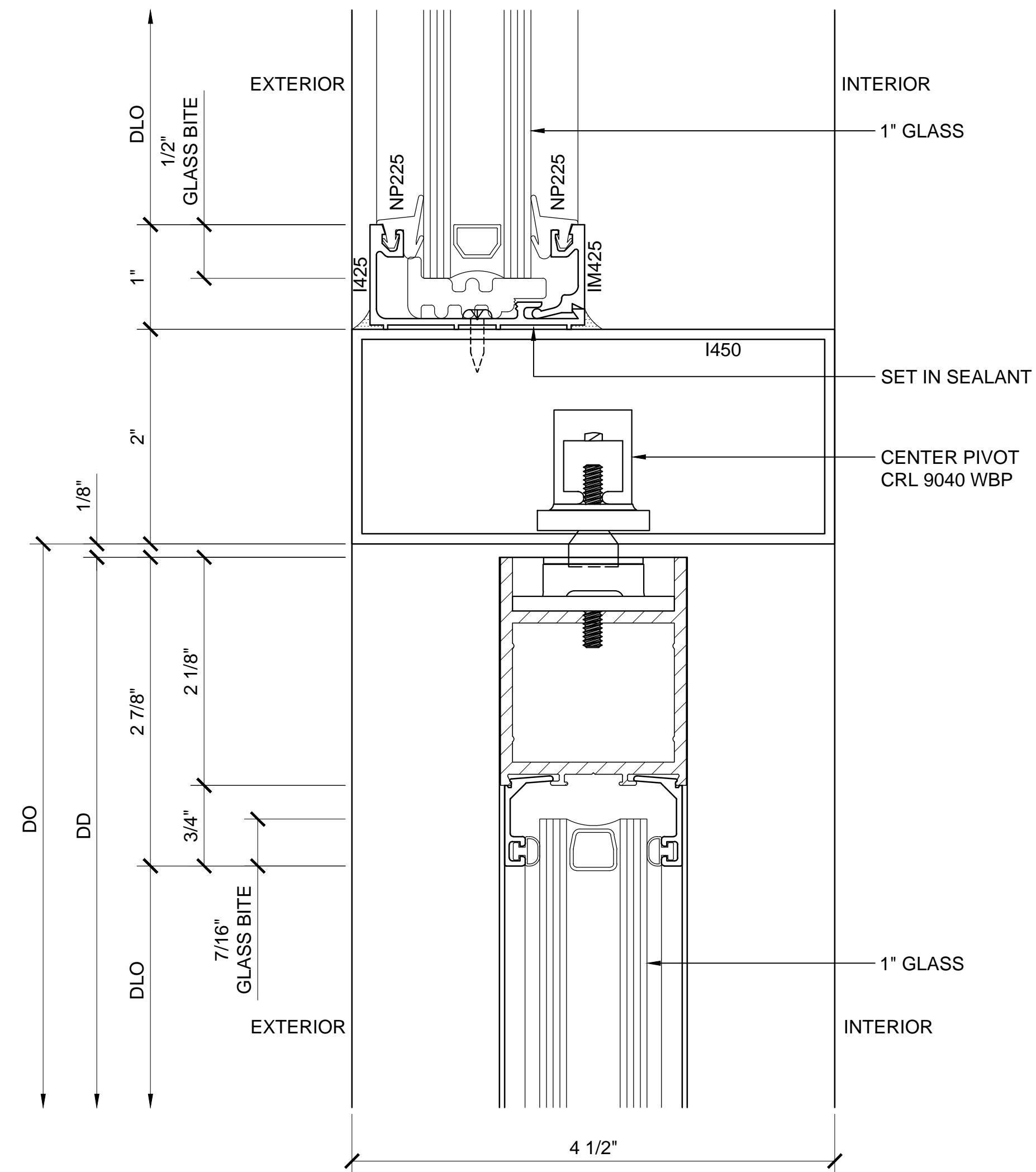
10 SECTION DETAIL AT HEAD

ARCH REF: N/A INTERIOR GLAZING 1'-0"=1'-0"



11 SECTION DETAIL AT DOOR HEAD WITH OHCC

ARCH REF: N/A 1'-0"=1'-0"



12 SECTION DETAIL AT DOOR HEAD

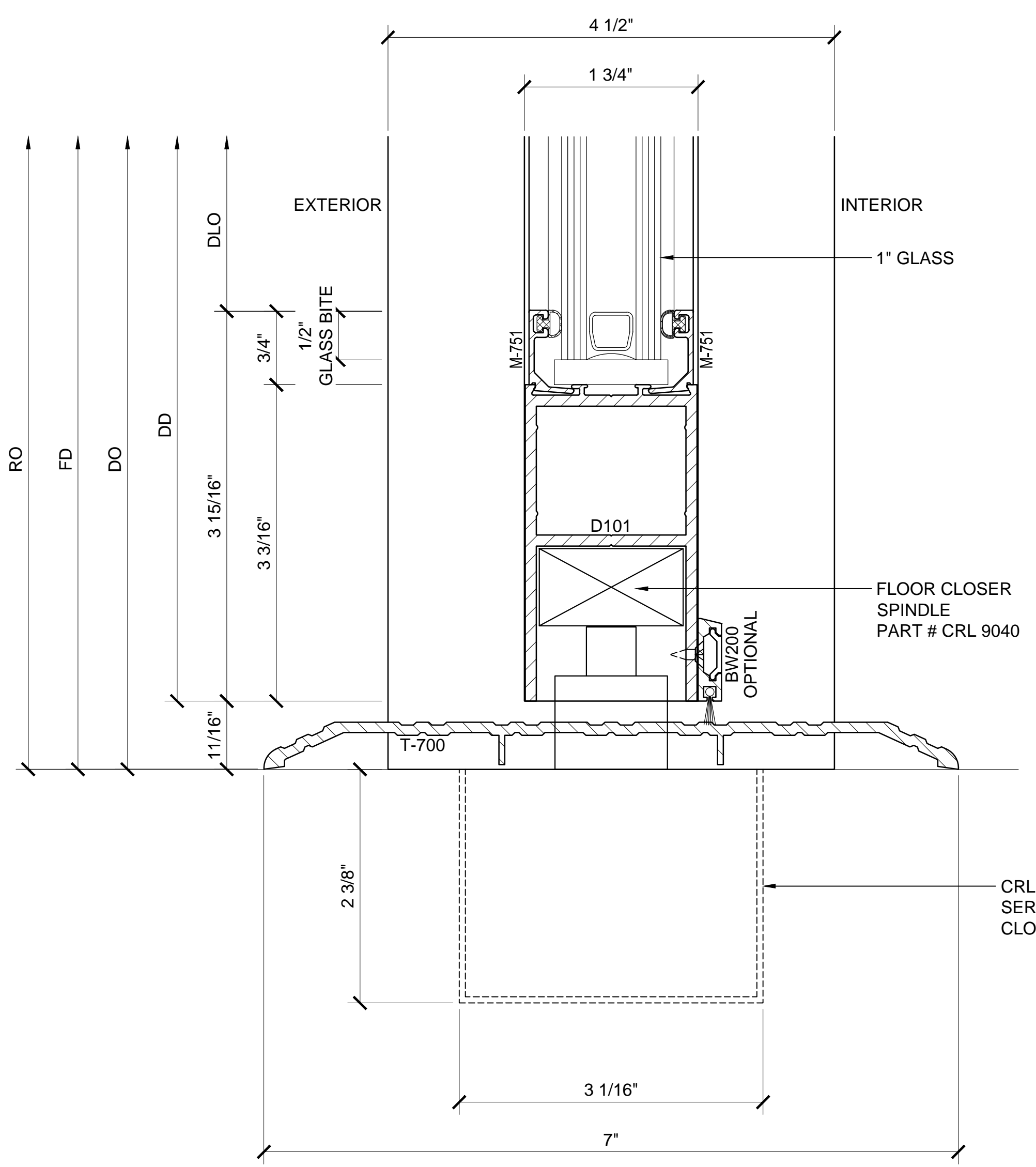
ARCH REF: N/A 1'-0"=1'-0"

Revisions By:

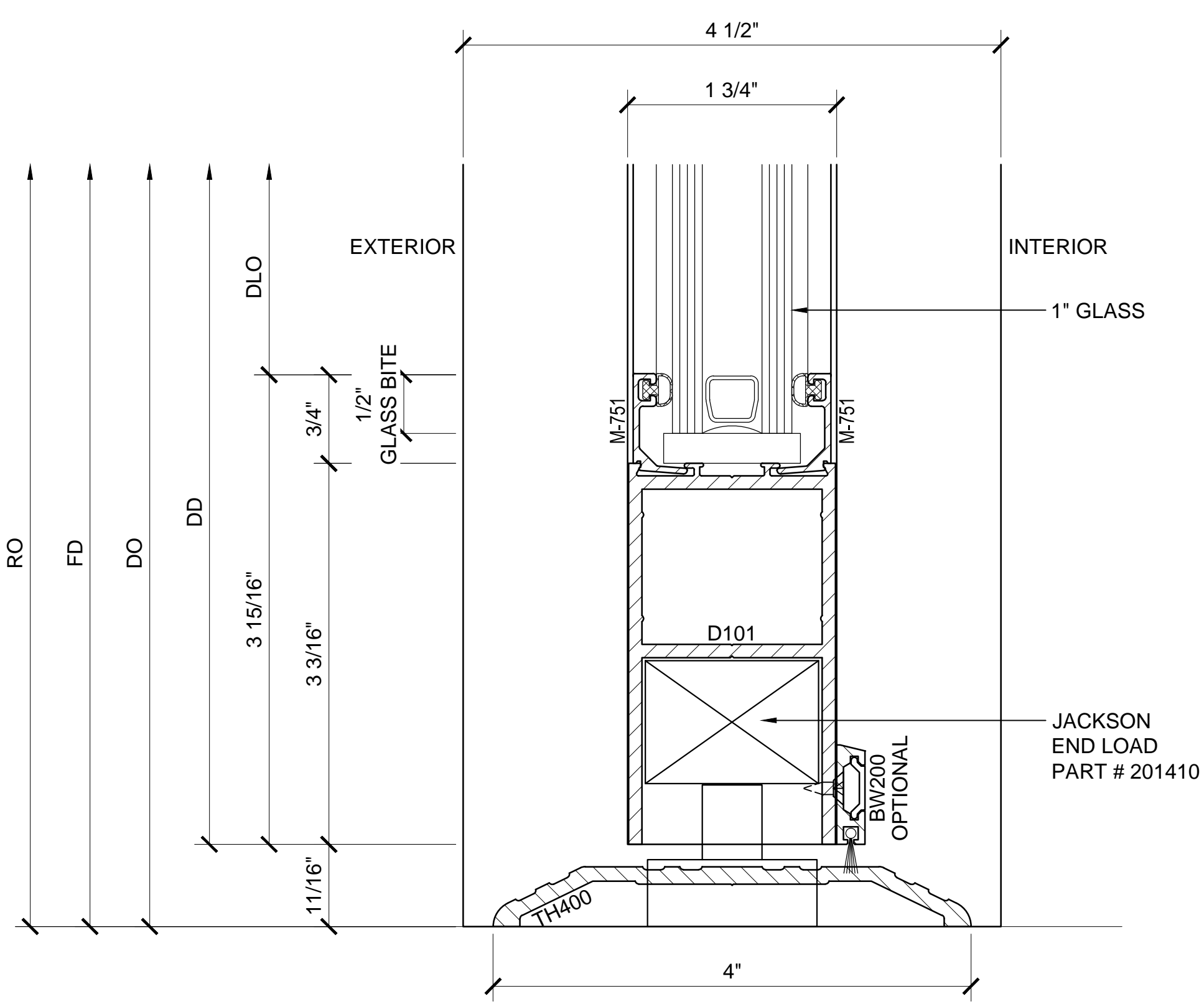


Discription:
CRL US ALUMINUM
SERIES OS451 & OS451SG
WINDOW WALLS
FOR 1" & 1/4" GLASS

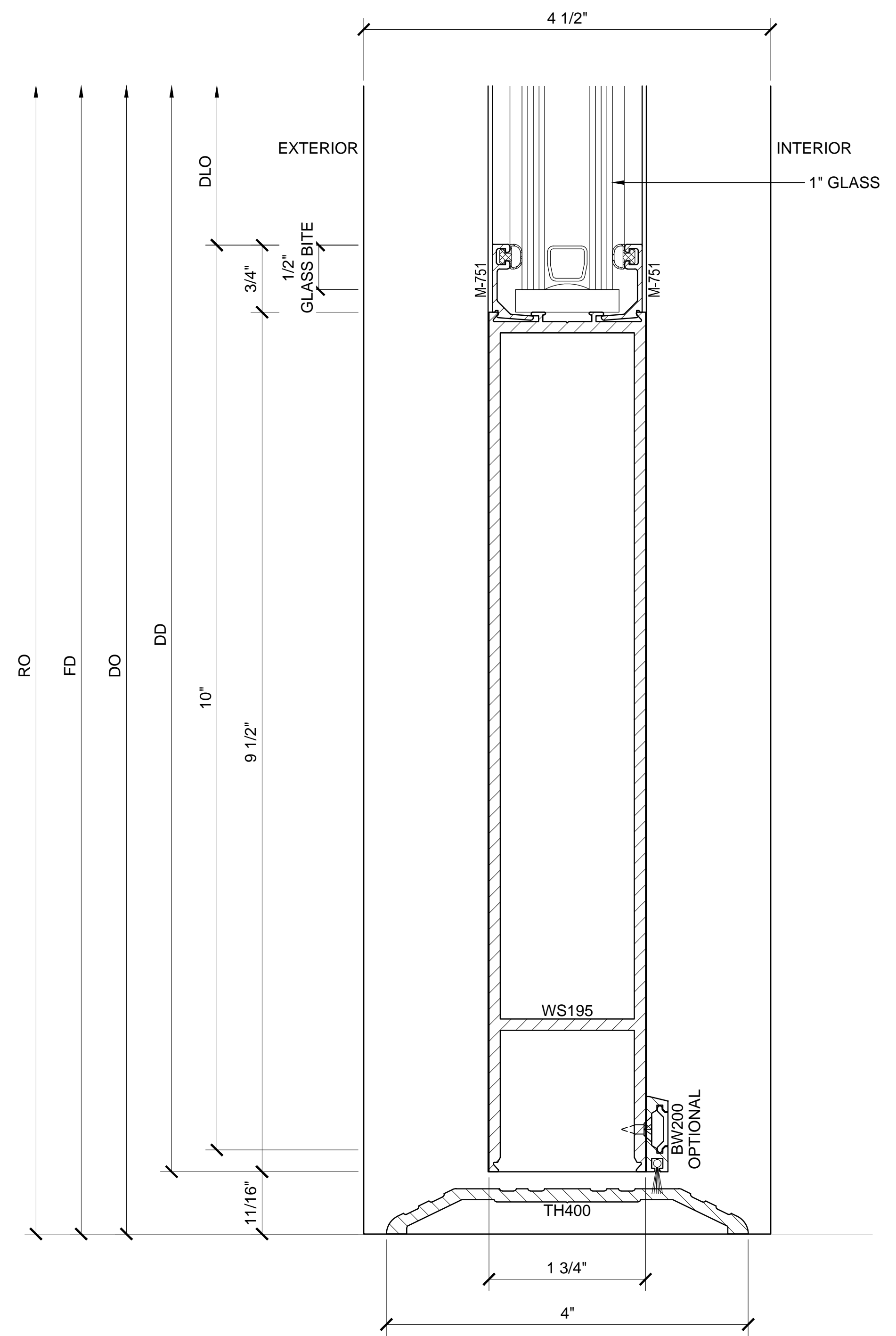
Drawn By: TMG
Date: 04/15/15
Scale: AS NOTED
File Name:
OS451/OS451SG.dwg
Sheet



13 SECTION DETAIL AT DOOR SILL
ARCH REF: N/A 1'-0"=1'-0"



14 SECTION DETAIL AT DOOR SILL
ARCH REF: N/A 1'-0"=1'-0"



15 SECTION DETAIL AT ADA DOOR SILL
ARCH REF: N/A 1'-0"=1'-0"



WINDOW WALLS

OS-2 OFFSET SYSTEMS - OS451 SERIES (2"X4 1/2" SYSTEM FOR 1" GLASS) INTERIOR / EXTERIOR GLAZING WITH OFFSET HUNG DOORS

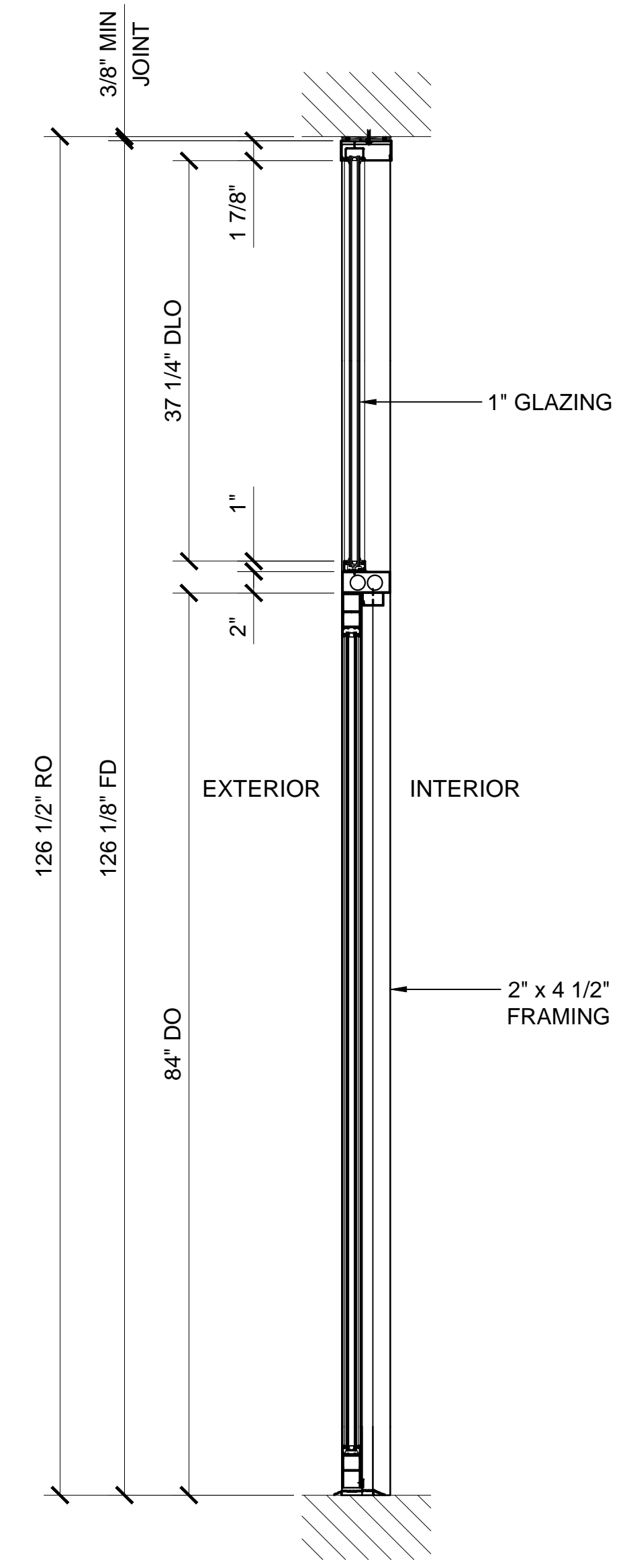
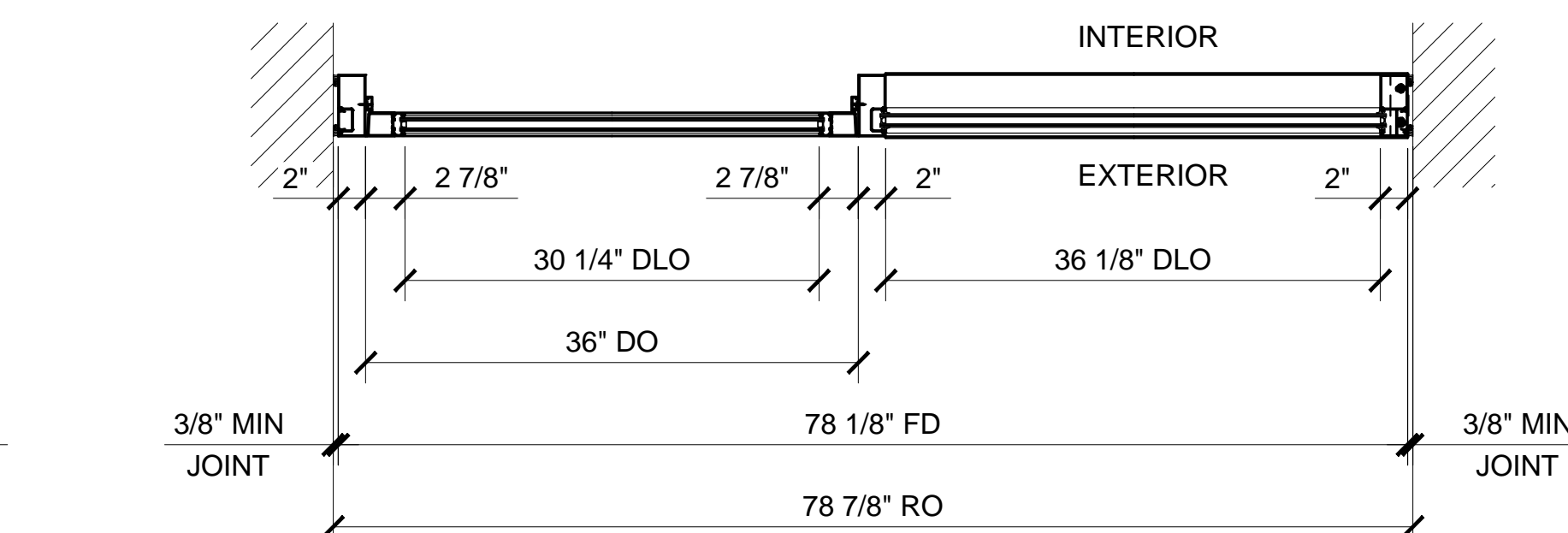
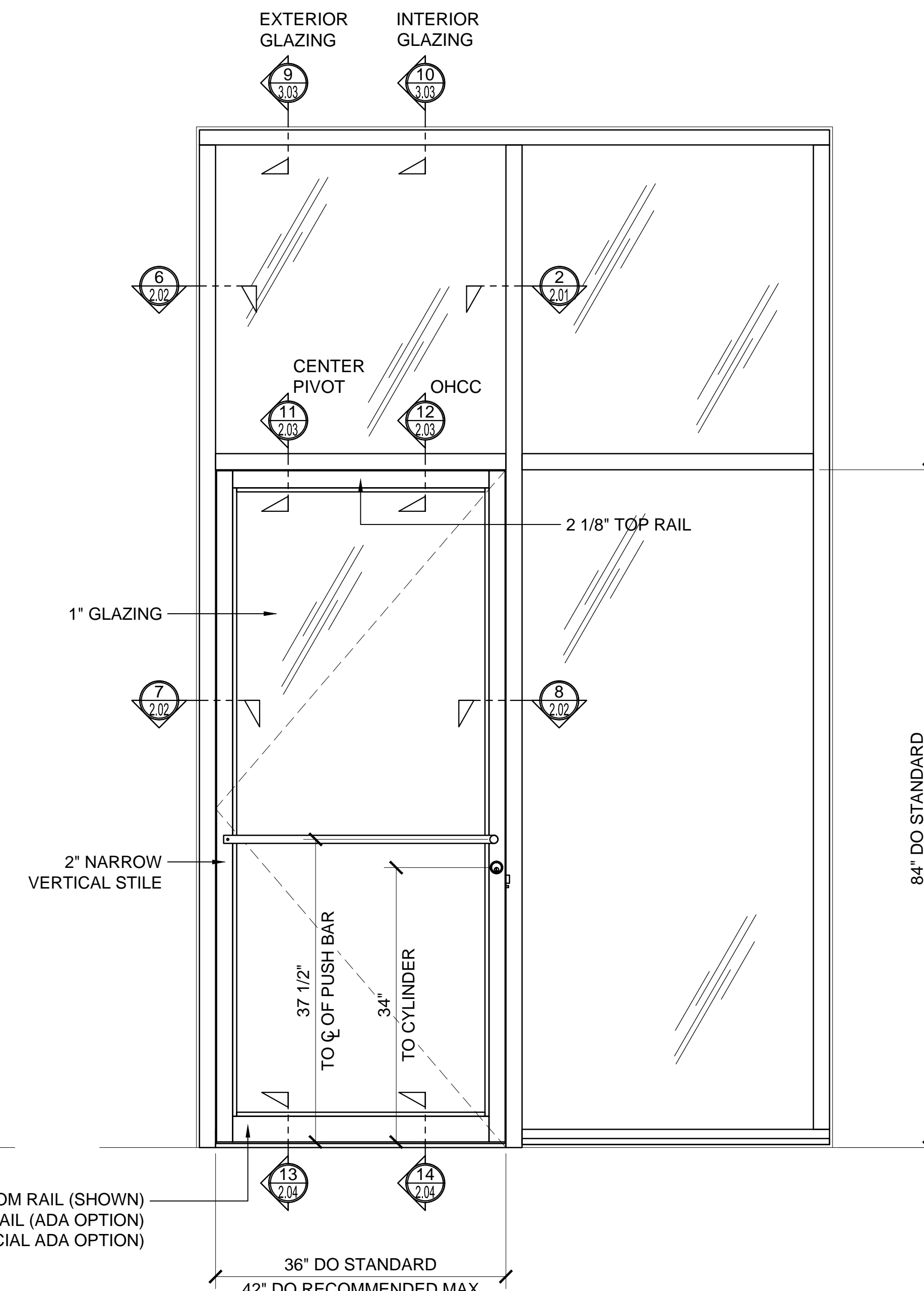
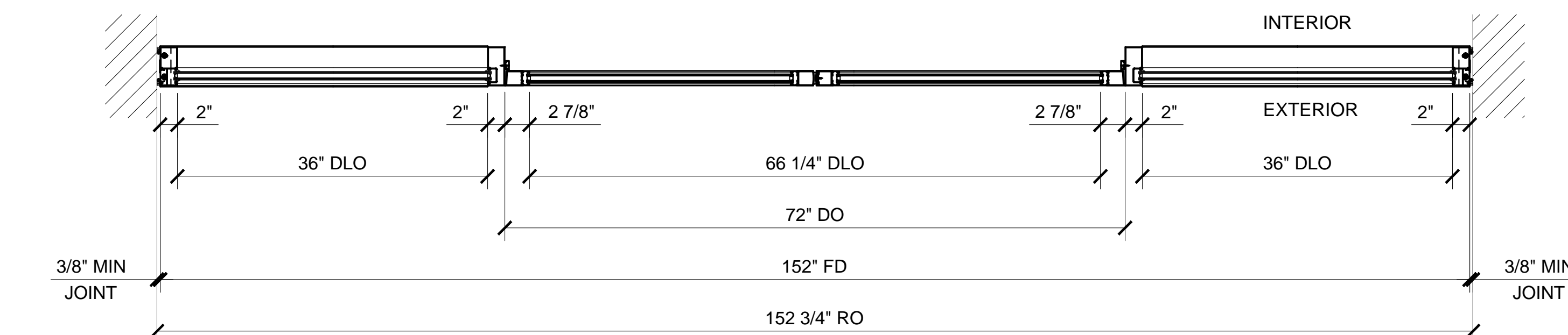
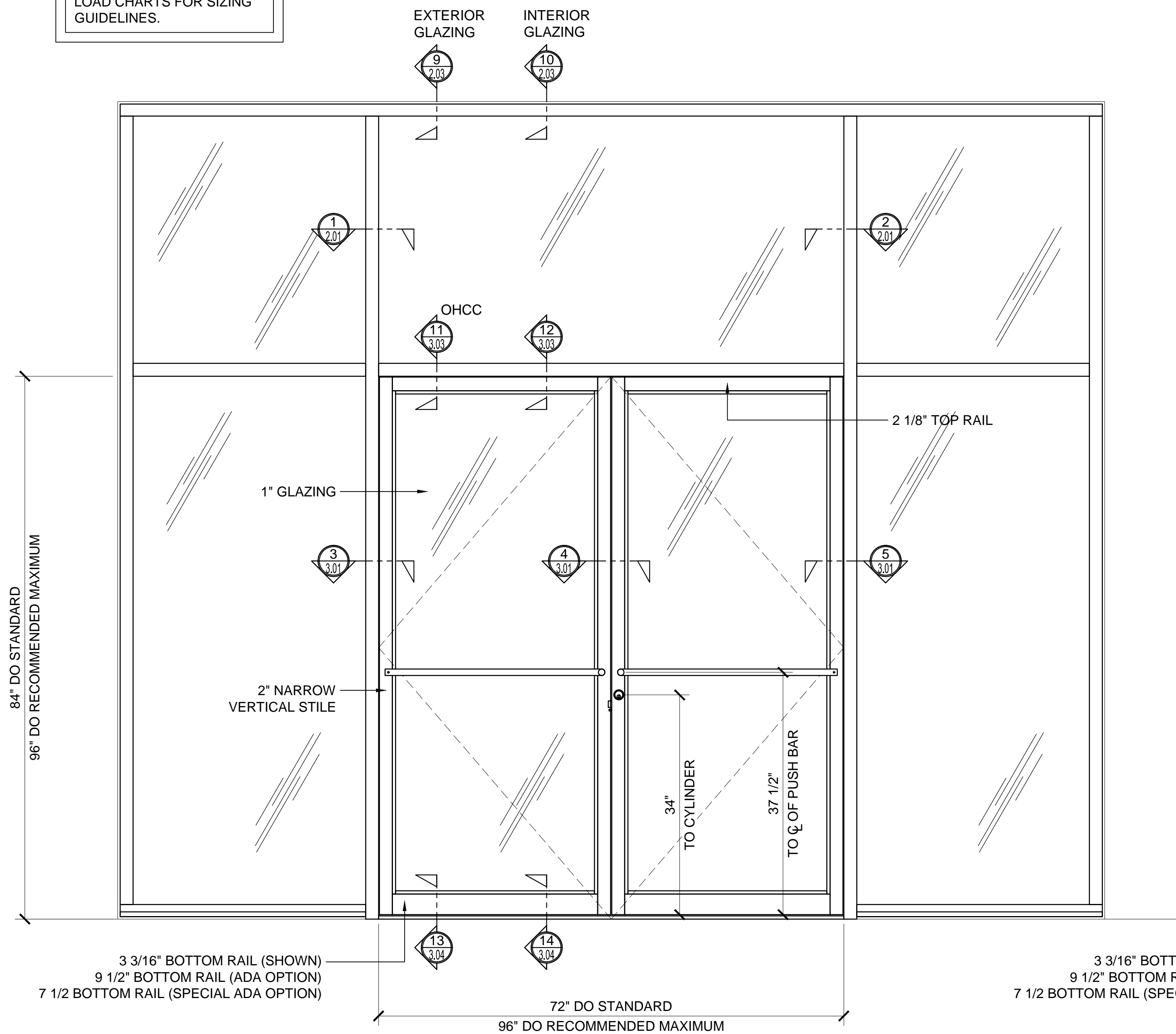
OS451 & OS451SG SERIES SPECIFICATIONS

Fabrication and installation labor costs have always been a decisive factor in selecting framing systems for storefront projects. U.S. Aluminum offers cost efficient versatile Offset Glazed Systems with clean lines and superb performance. Series OS451 & OS451SG were designed for labor saving stacking type installations, and may be interior or exterior glazed. A top load E.P.D.M. gasket is used to position and weatherseal the glass in the aluminum pocket. Offset Glazed Systems are compatible with most U.S. Aluminum entrance doors.

2" x 4 1/2" frame
1" Glazing infill (SHOWN) Optional snap-in reducers for 1/4" glass is available
Full range of accessory components
Available in an array of architectural coatings and anodized finishes
Anchor clips assembly
Interior or Exterior Glazed

1" = 1'-0"

GLASS SIZING NOTE:
REFERENCE U.S. ALUMINUM
CATALOGS AND WEBSITE'S
LOAD CHARTS FOR SIZING
GUIDELINES.



SIDE VIEW

STANDARD ABBREVIATIONS

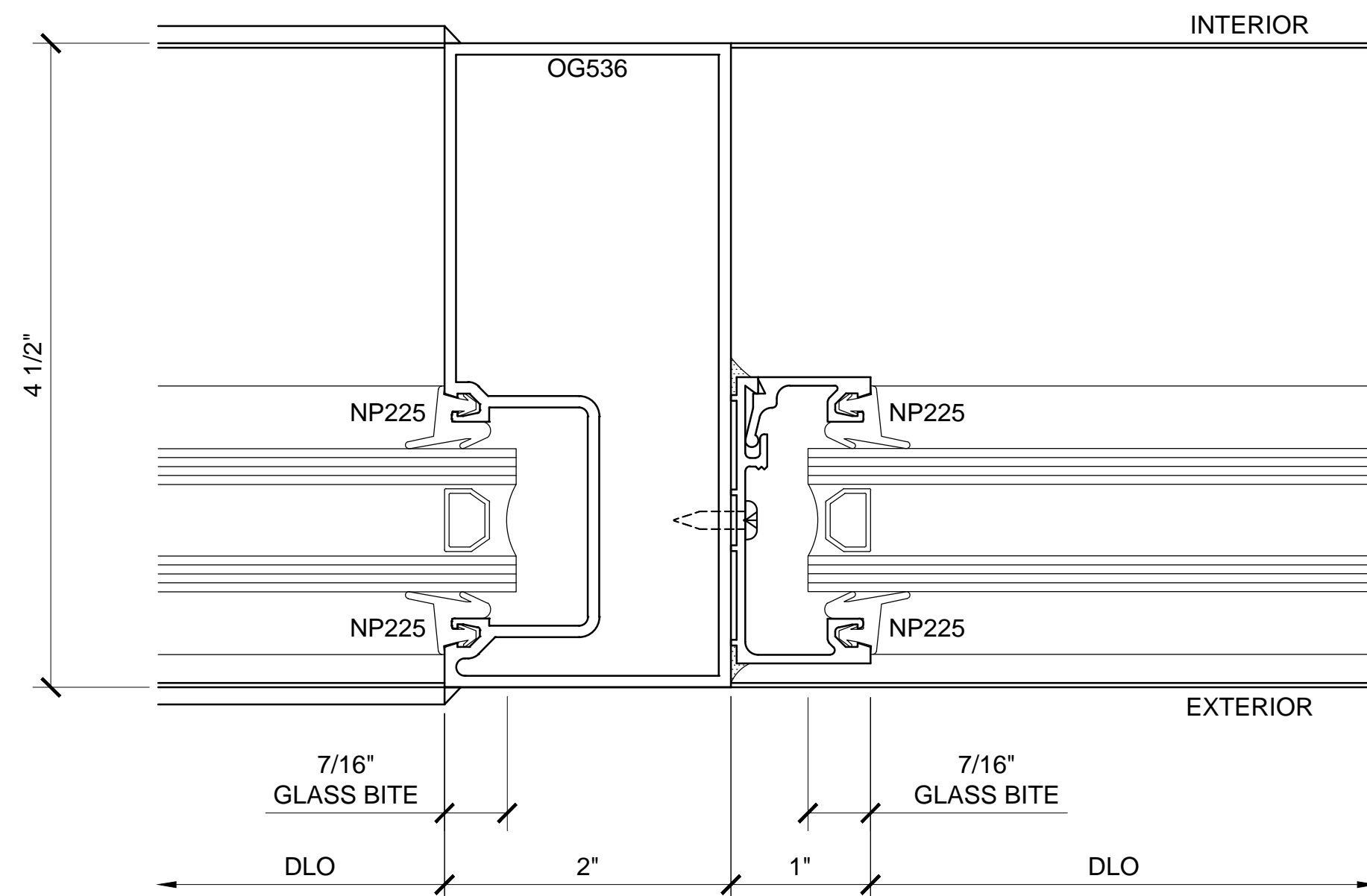
RO	ROUGH OPENING
FD	FRAME DIMENSION
DLO	DAYLIGHT OPENING
DO	DOOR OPENING
DD	DOOR DIMENSION
DP	DIMENSION POINT
SMC	SURFACE MOUNTED CLOSER
OHCC	OVERHEAD CONCEALED CLOSER

Revisions By:

C.R. LAURENCE CO. ARCHITECTURAL PRODUCTS
2503 E. Vermont Avenue, Los Angeles, CA 90058-1897
PH (800)-421-6144 FX: 800-587-7301 www.crlaurence.com

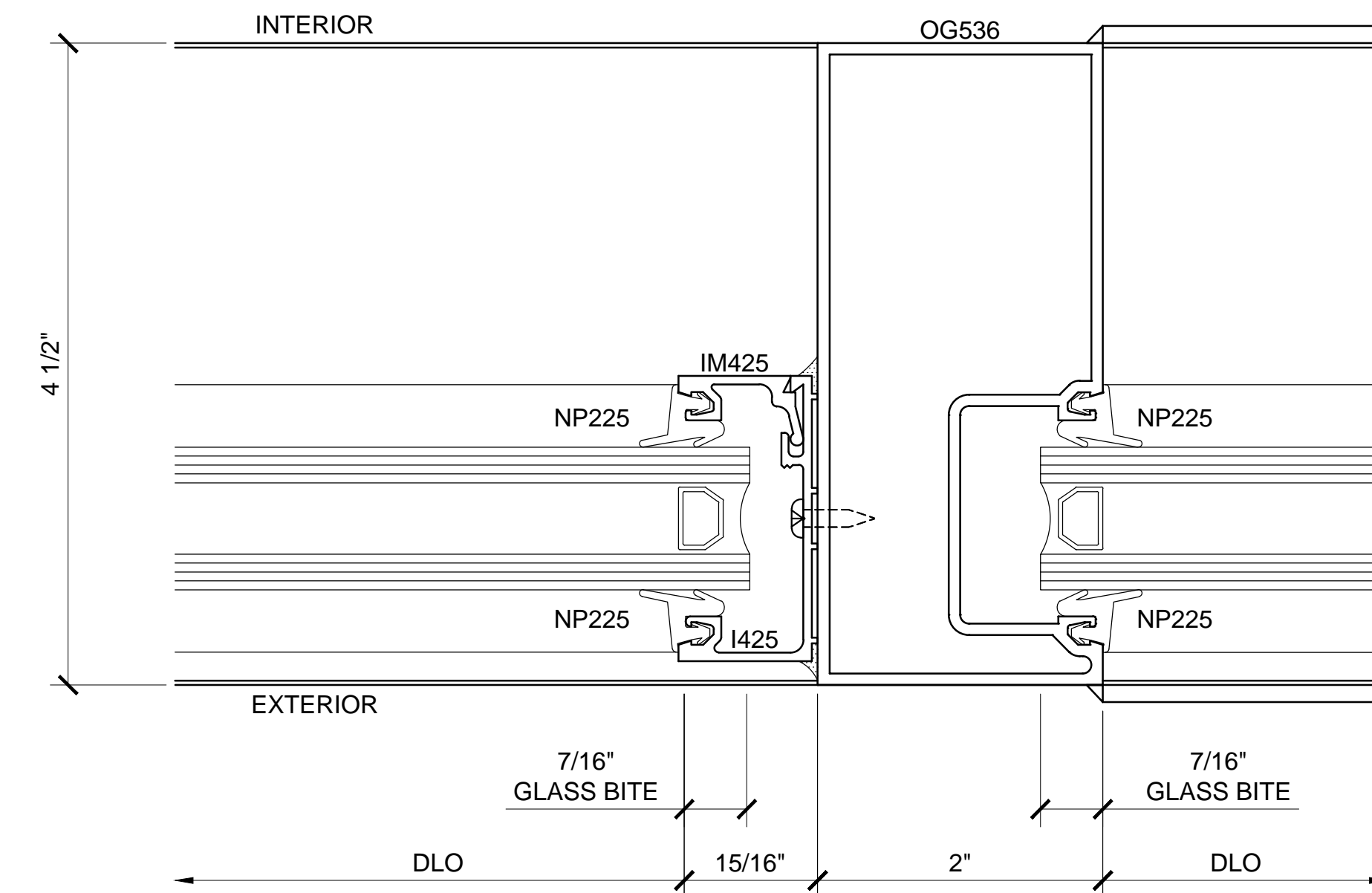
Description:
CRL US ALUMINUM
SERIES OS451 & OS451SG
WINDOW WALLS
FOR 1" & 1/4" GLASS

Drawn By: TMG
Date: 04/15/15
Scale: AS NOTED
File Name: OS451/OS451SG.dwg
Sheet



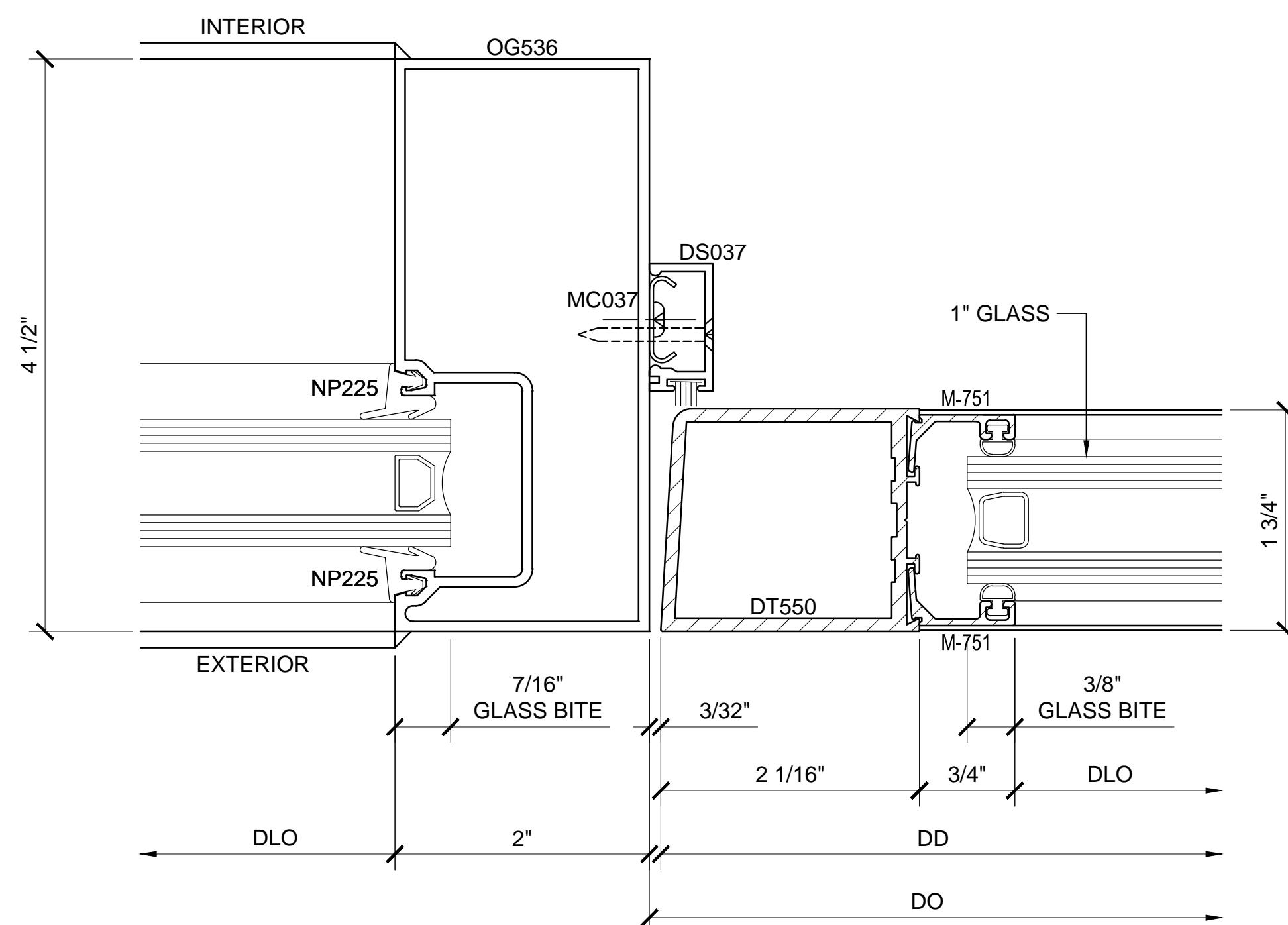
① SECTION DETAIL AT VERTICAL

ARCH REF: N/A 1'-0"=1'-0"



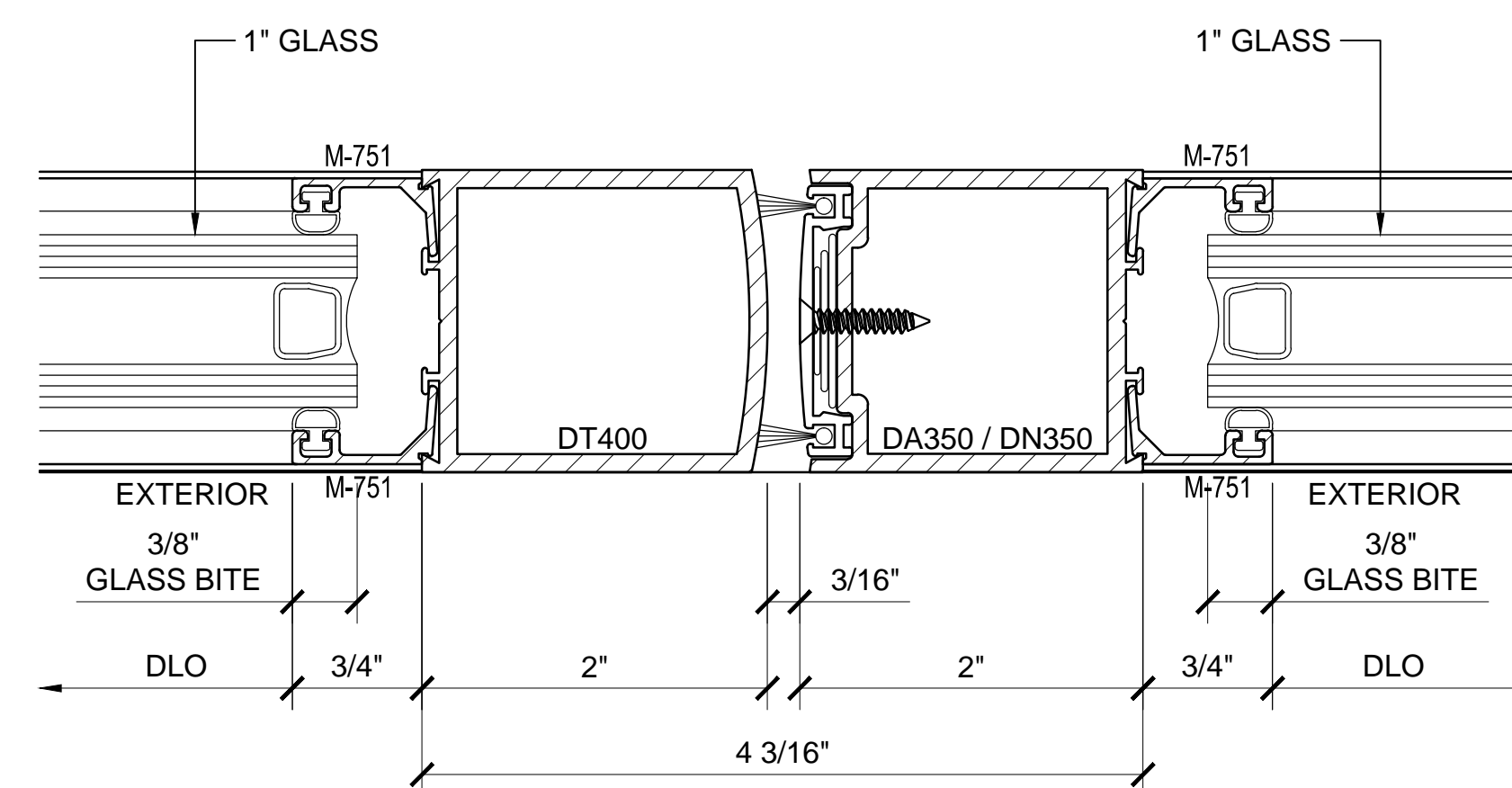
② SECTION DETAIL AT VERTICAL

ARCH REF: N/A 1'-0"=1'-0"



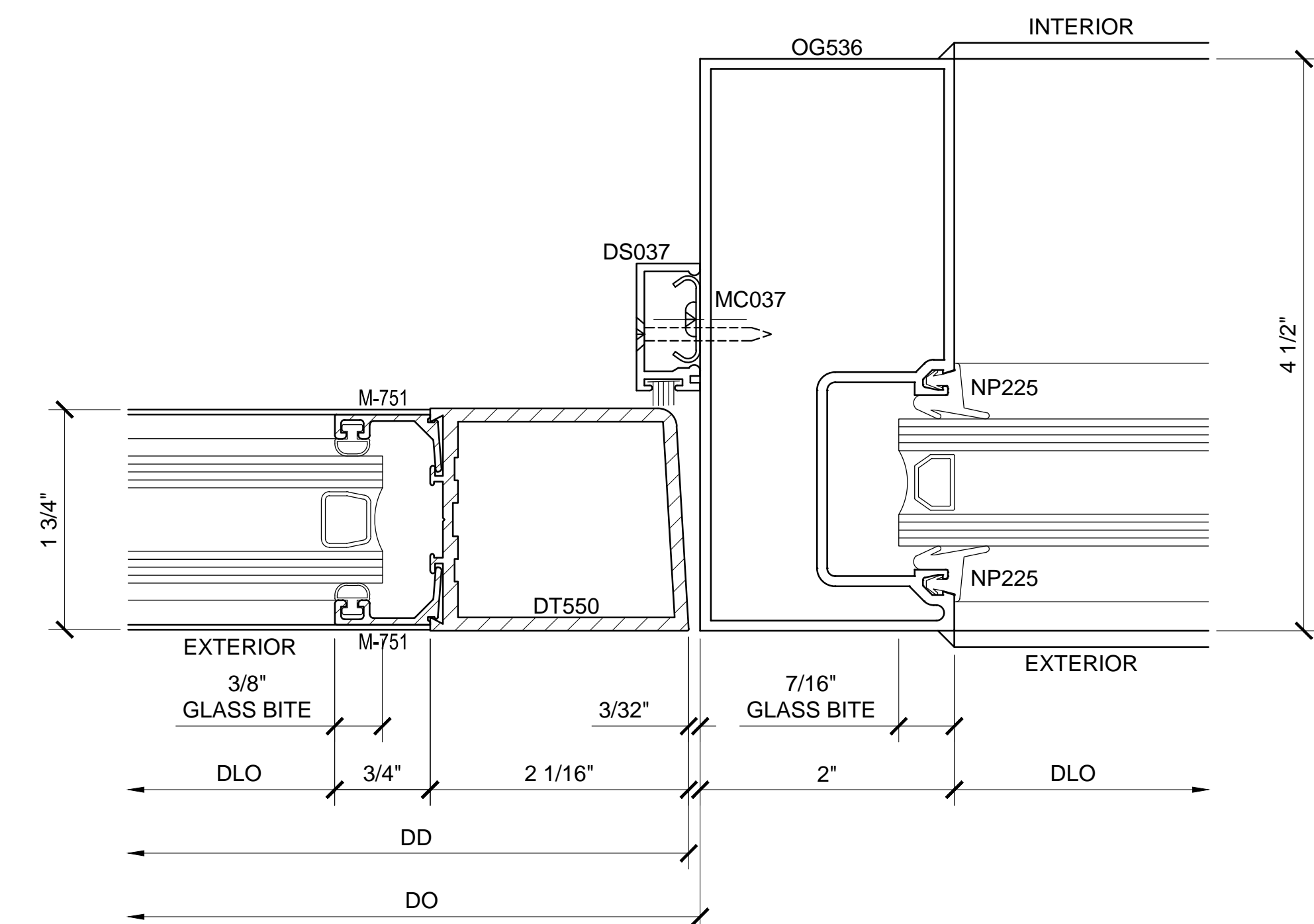
③ SECTION DETAIL AT DOOR JAMB

ARCH REF: N/A 1'-0"=1'-0"



④ SECTION DETAIL AT MEETING STILES

ARCH REF: N/A 1'-0"=1'-0"



⑤ SECTION DETAIL AT DOOR JAMB

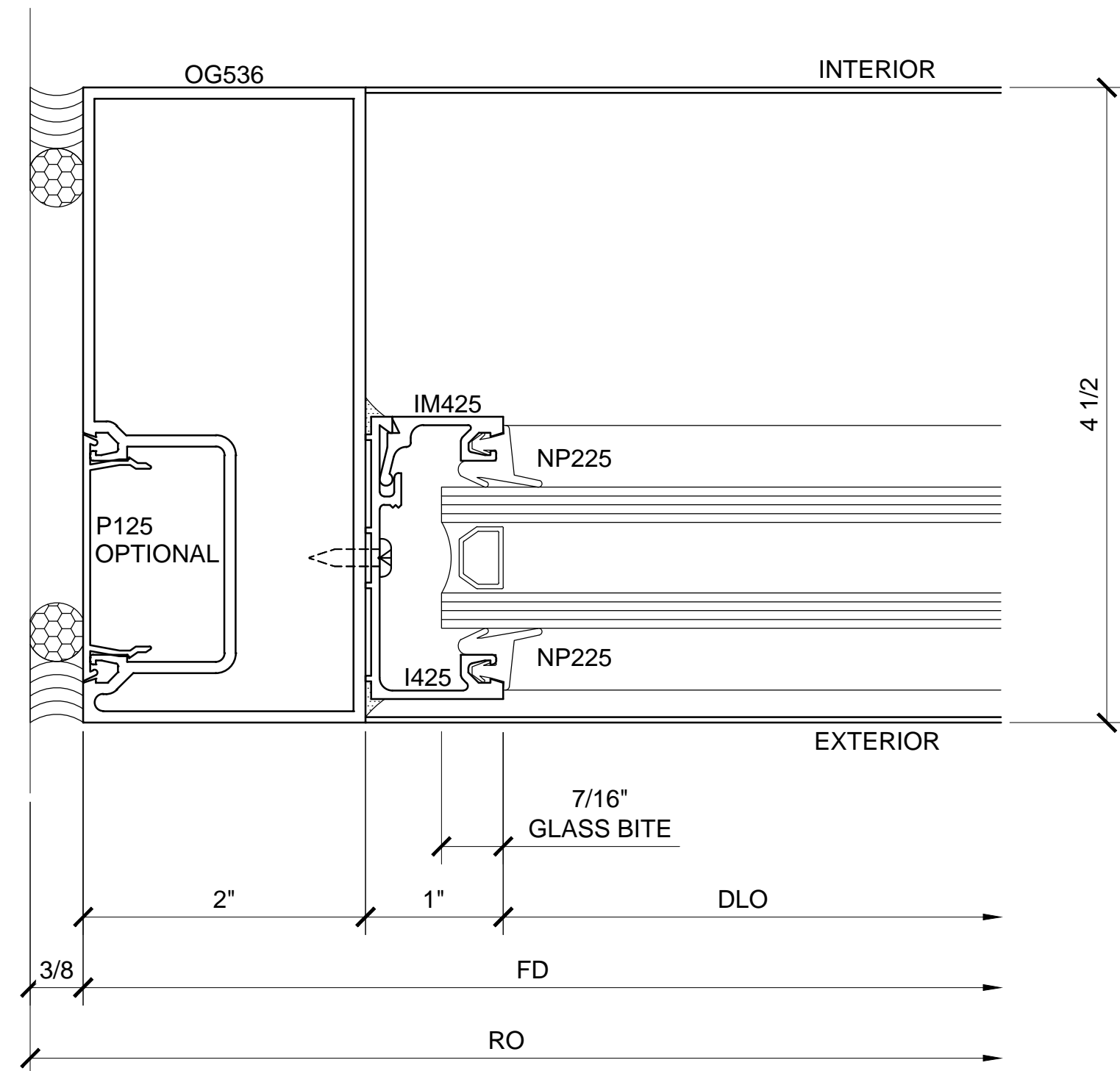
ARCH REF: N/A 1'-0"=1'-0"

Description:
 CRL US ALUMINUM
 SERIES OS451 & OS451SG
 WINDOW WALLS
 FOR 1" & 1/4" GLASS

Drawn By: TMG
 Date: 04/15/15
 Scale: AS NOTED
 File Name:
 OS451/OS451SG.dwg
 Sheet

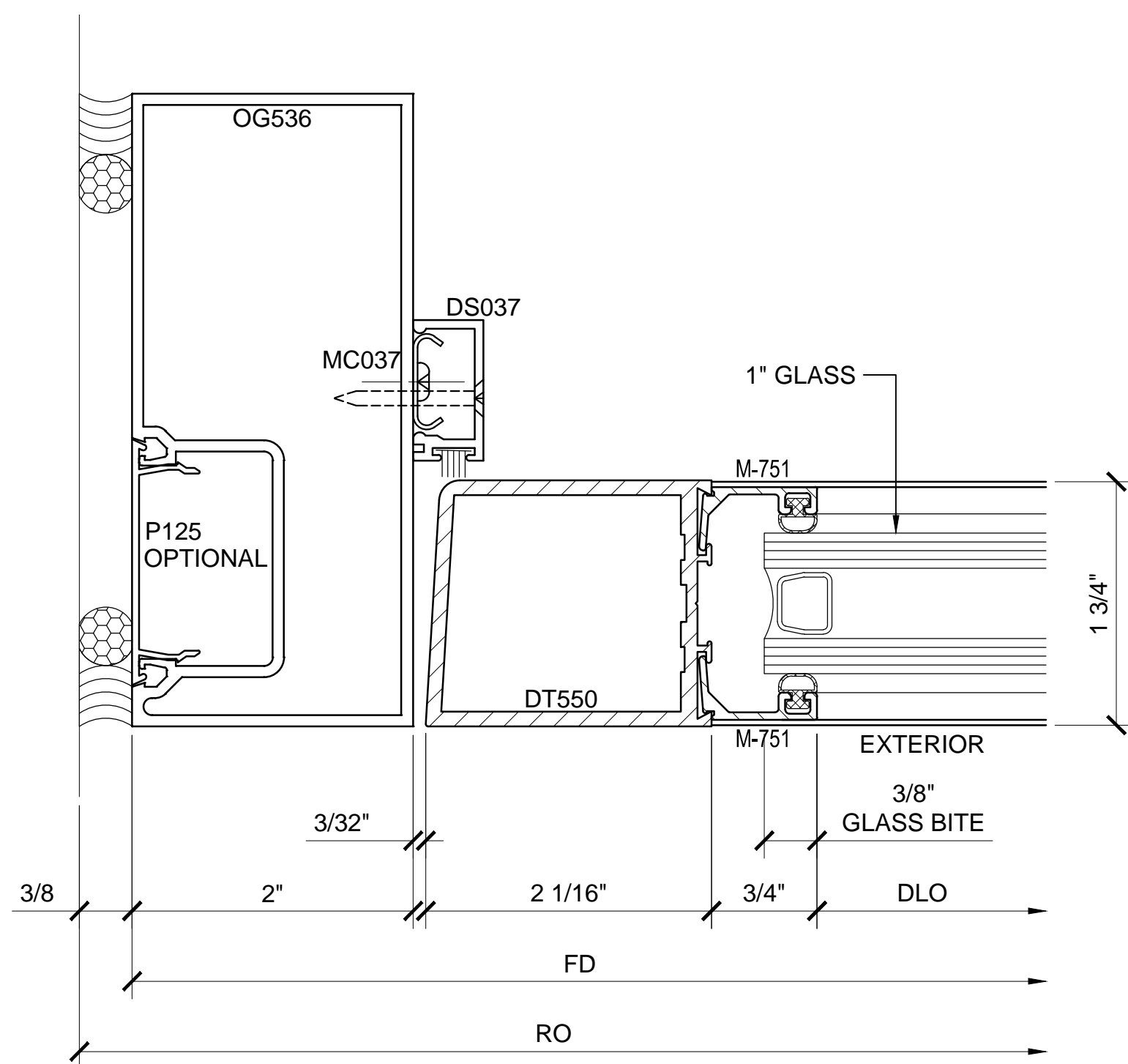
Revisions By:

CRL
US ALUMINUM
C.R. LAURENCE CO. ARCHITECTURAL PRODUCTS
2503 E. Vernon Avenue, Los Angeles, CA 90058-1897
PH (800) 421-6144 FX 800-587-7301 www.crlaurence.com



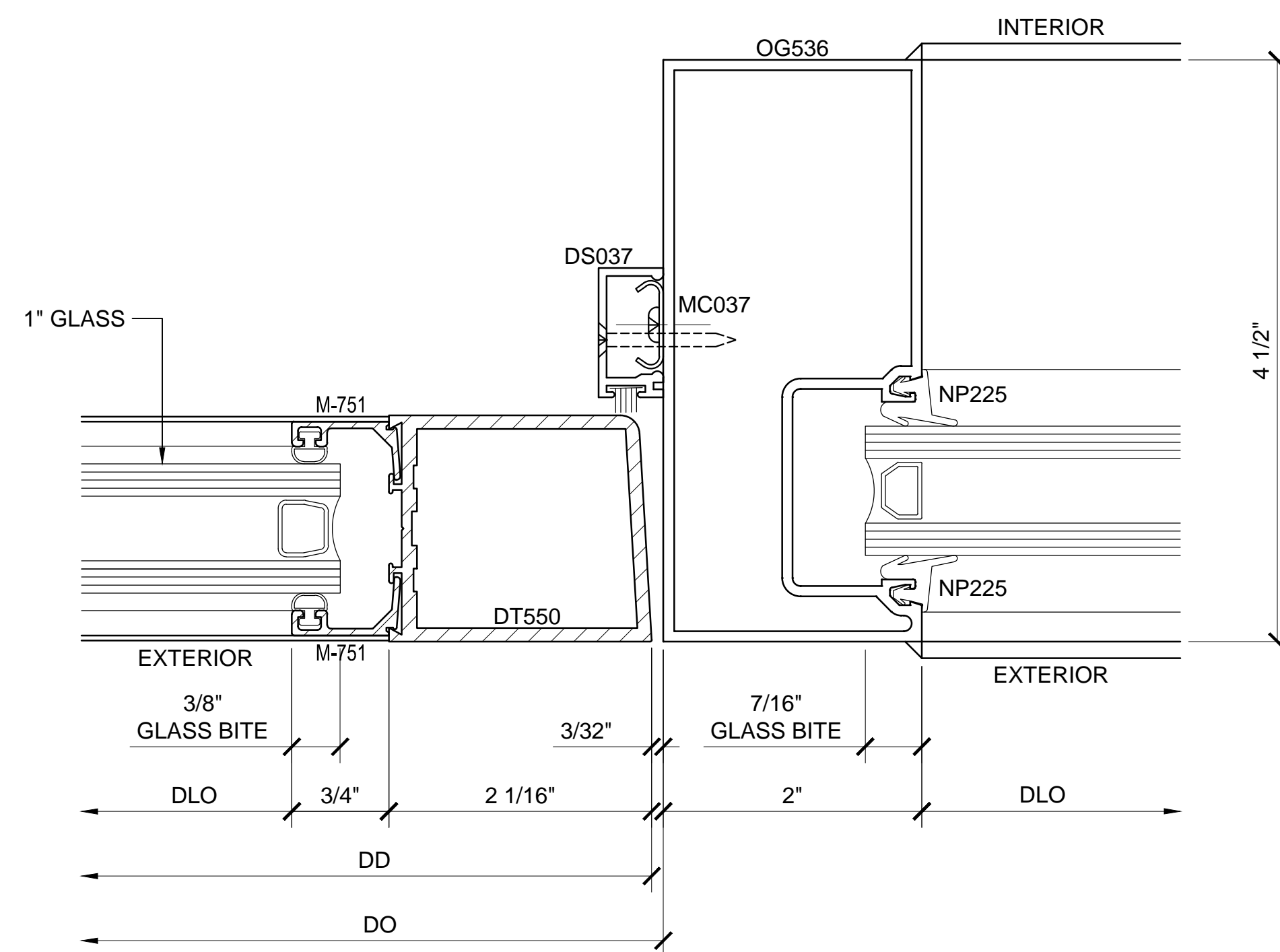
⑥ SECTION DETAIL AT TRANSOM

ARCH REF: N/A 1'-0"=1'-0"



⑦ SECTION DETAIL AT DOOR JAMB

ARCH REF: N/A 1'-0"=1'-0"

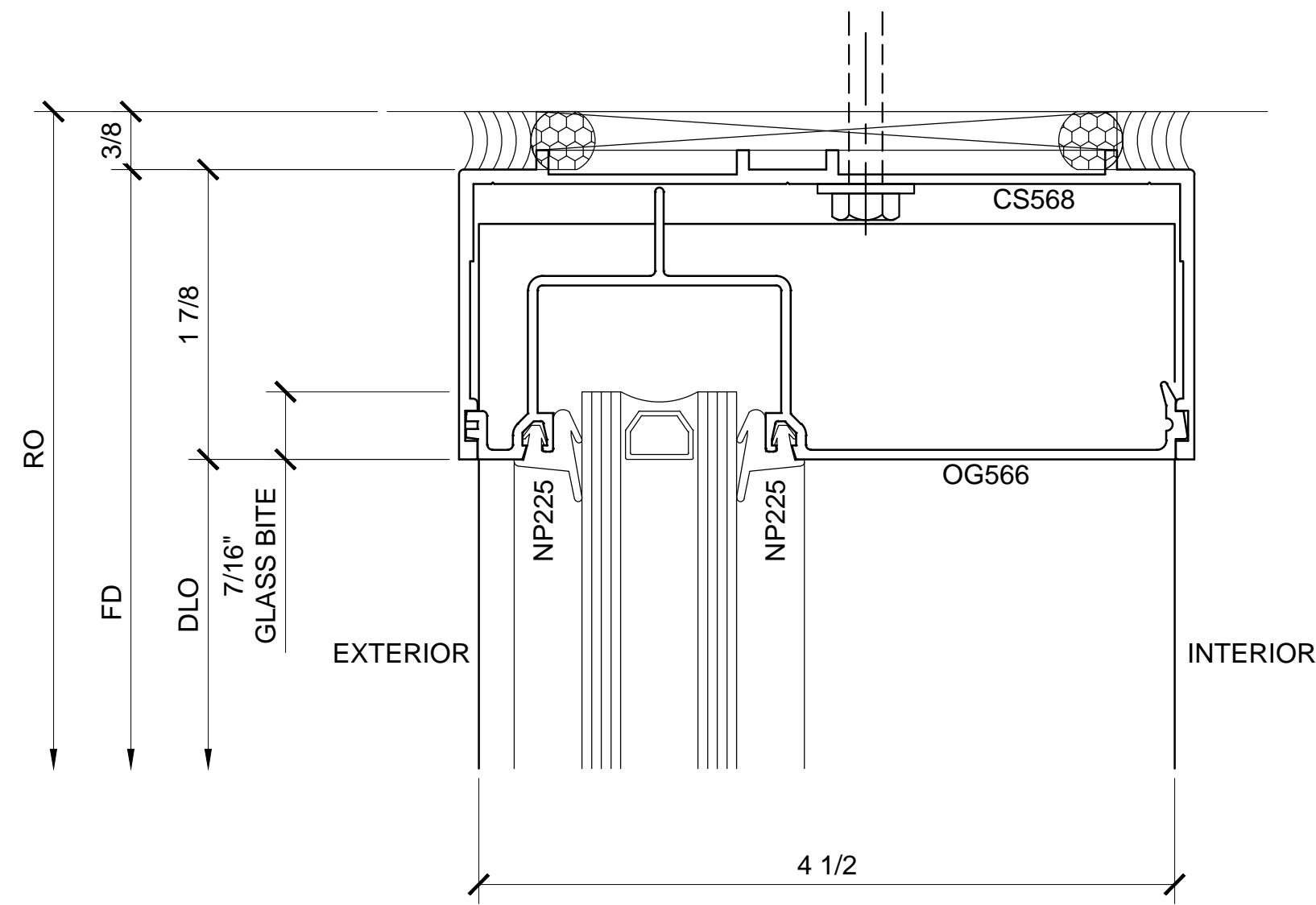


⑧ SECTION DETAIL AT JAMB

ARCH REF: N/A 1'-0"=1'-0"

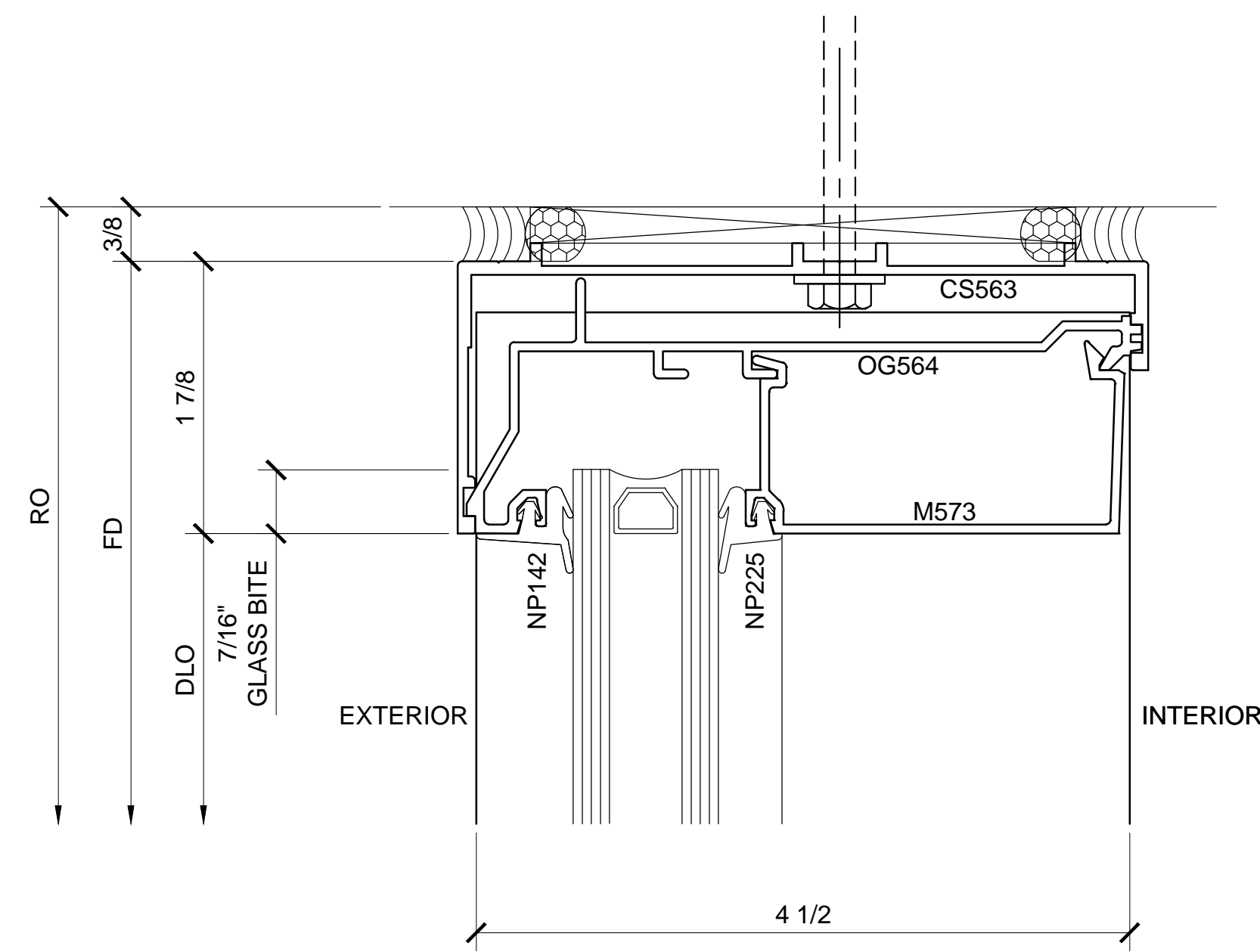
Description:
CRL US ALUMINUM
SERIES OS451 & OS451SG
WINDOW WALLS
FOR 1" & 1/4" GLASS

Drawn By: TMG
Date: 04/15/15
Scale: AS NOTED
File Name:
OS451/OS451SG.dwg
Sheet



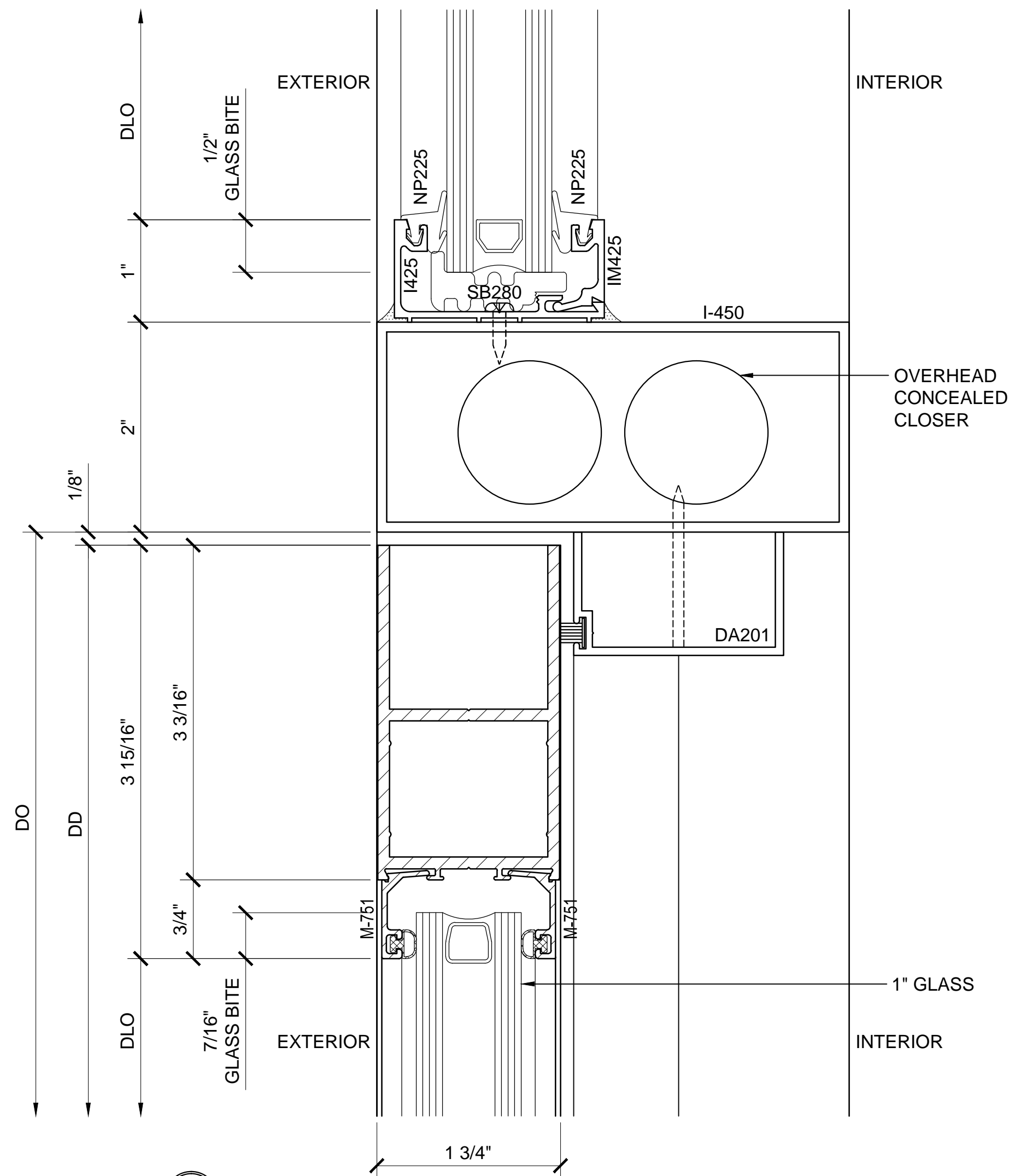
9 SECTION DETAIL AT HEAD

ARCH REF: N/A EXTERIOR GLAZING 1'-0"=1'-0"



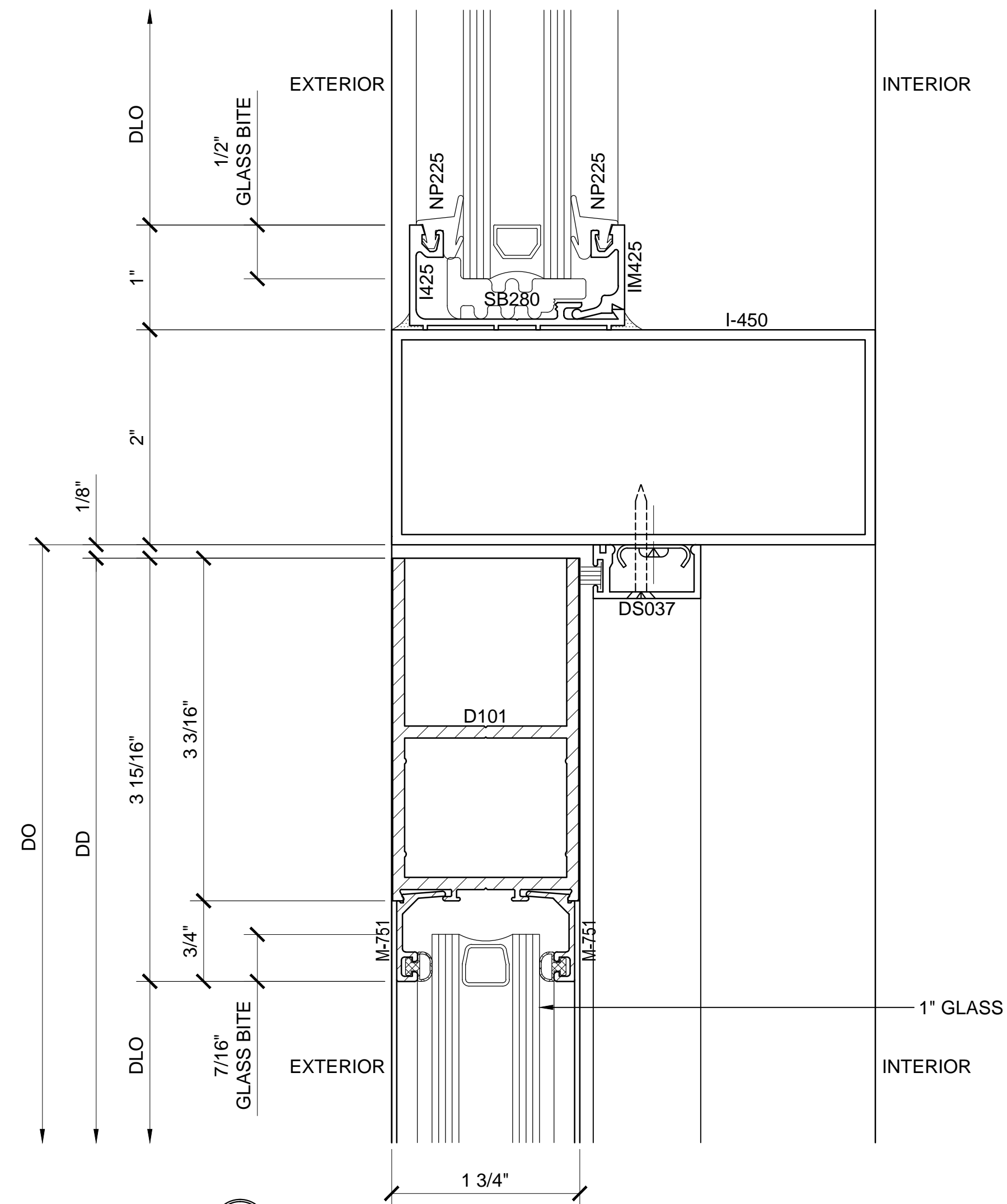
10 SECTION DETAIL AT HEAD

ARCH REF: N/A INTERIOR GLAZING 1'-0"=1'-0"



11 SECTION DETAIL AT DOOR HEAD WITH OHCC

ARCH REF: N/A 1'-0"=1'-0"



12 SECTION DETAIL AT DOOR HEAD

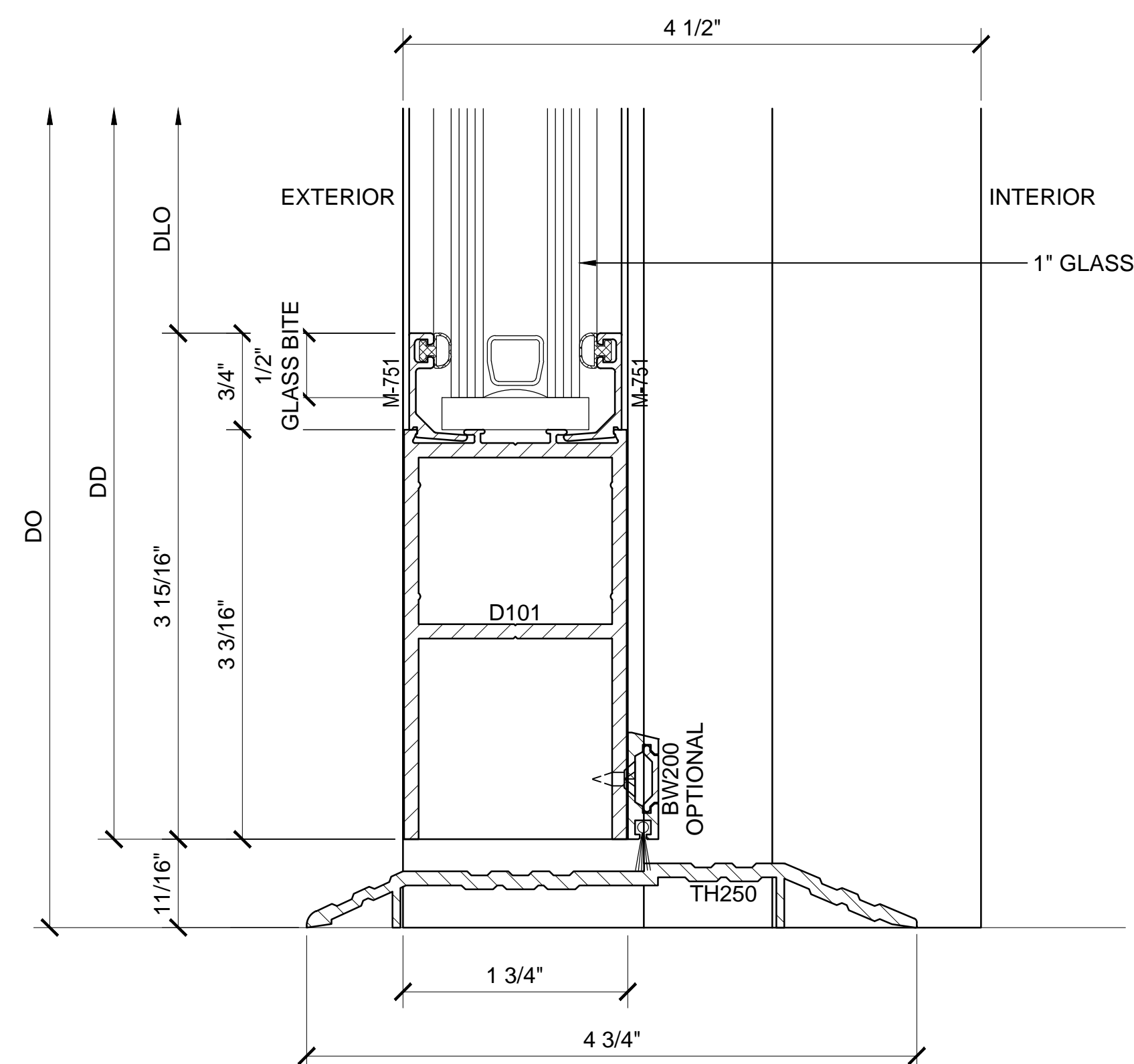
ARCH REF: N/A 1'-0"=1'-0"

Revisions By:

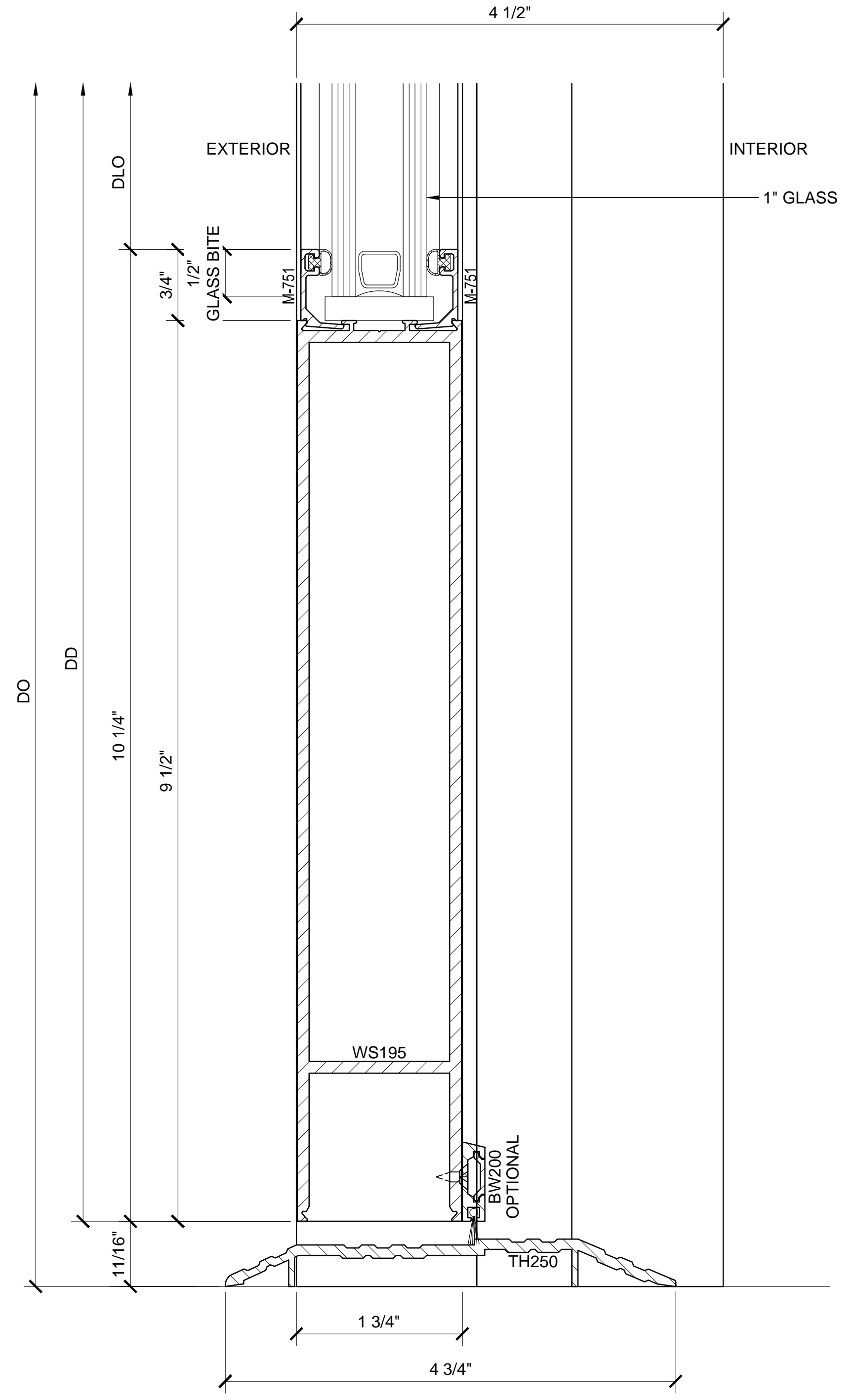


Discription:
CRL US ALUMINUM
SERIES OS451 & OS451SG
WINDOW WALLS
FOR 1" & 1/4" GLASS

Drawn By: TMG
Date: 04/15/15
Scale: AS NOTED
File Name:
OS451/OS451SG.dwg
Sheet



13 SECTION DETAIL AT DOOR SILL
 ARCH REF: N/A 1'-0"=1'-0"



14 SECTION DETAIL AT DOOR SILL
 ARCH REF: N/A 1'-0"=1'-0"

OS-2 OFFSET SYSTEM - OS451 SERIES DOOR FRAMING DETAILS (SHOWN WITH OPTIONAL NARROW STILE OFFSET HUNG SERIES 250 DOOR SYSTEM)

Revisions By:

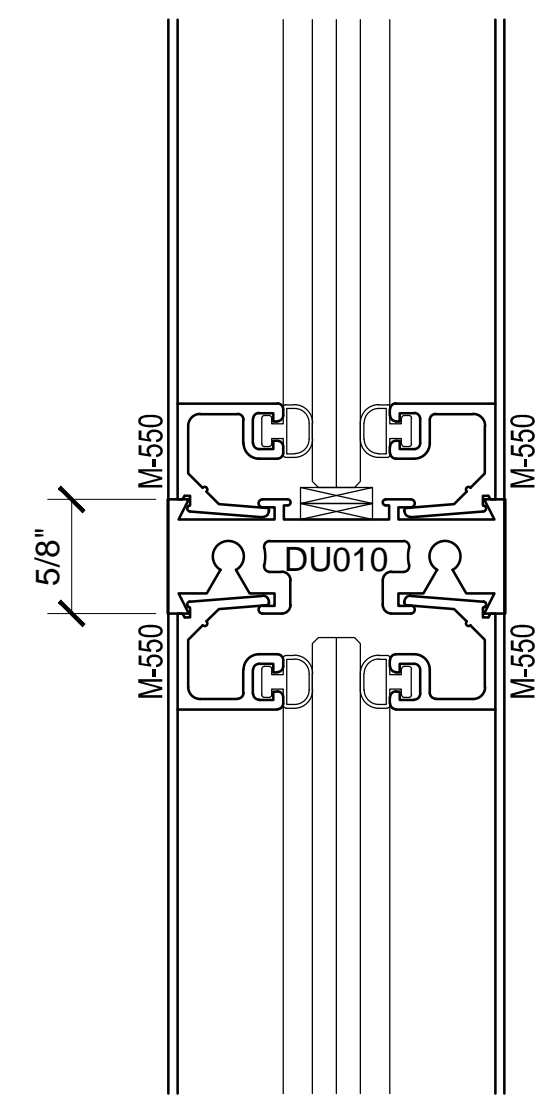
CRL
US ALUMINUM
 C.R. LAURENCE CO. ARCHITECTURAL PRODUCTS
 2503 E. Vermon Avenue, Los Angeles, CA 90058-1897
 PH (800)-421-6144 FX 800-587-7301 www.crlaurence.com

Description:
CRL US ALUMINUM
SERIES OS451 & OS451SG
WINDOW WALLS
FOR 1" & 1/4" GLASS

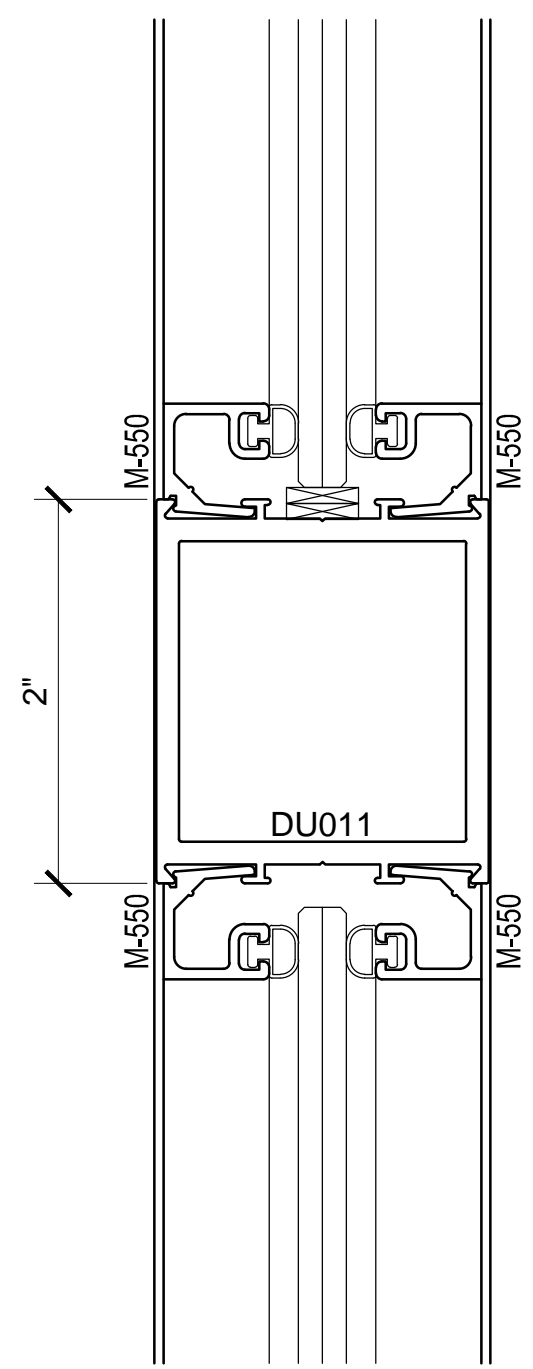
Drawn By: TMG
 Date: 04/15/15
 Scale: AS NOTED
 File Name:
 OS451/OS451SG.dwg

Sheet

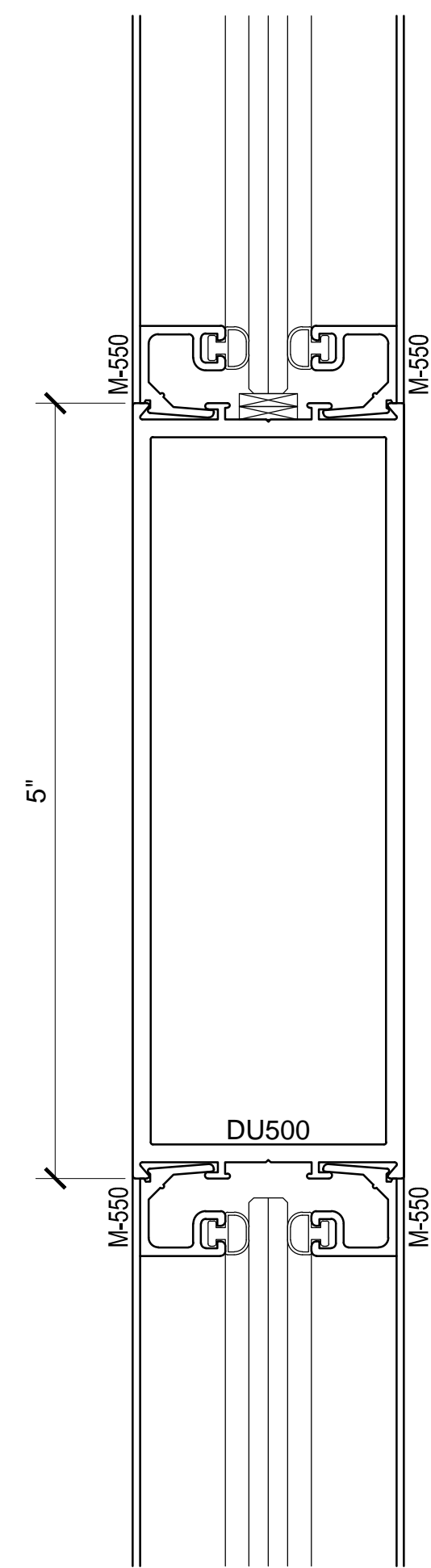
3.04



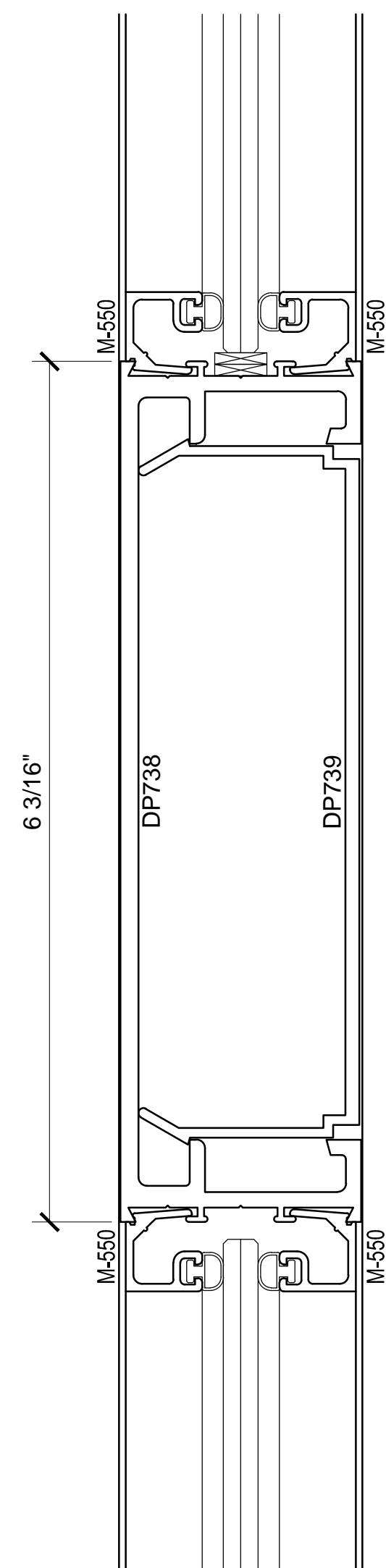
DM950



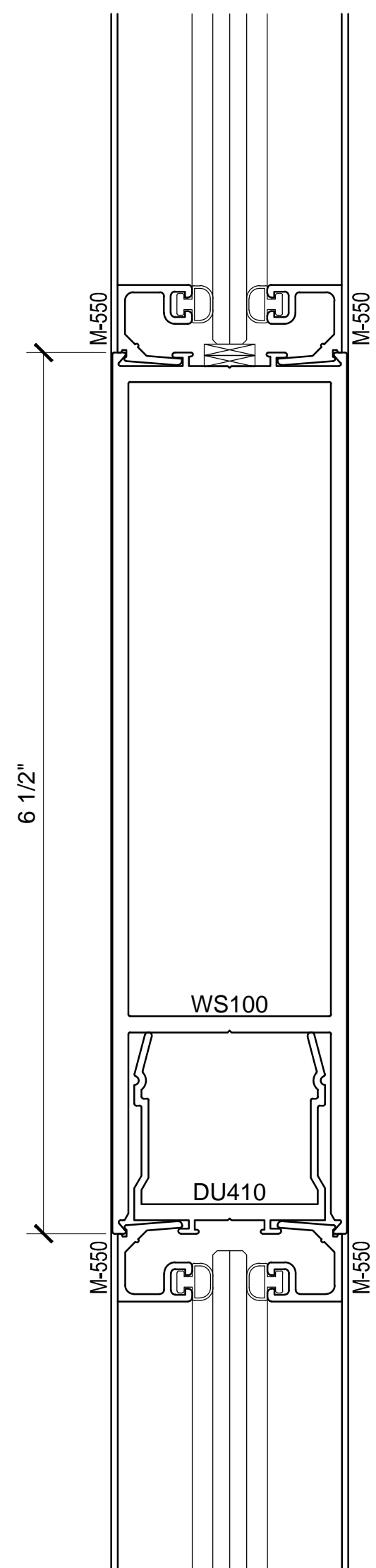
DM952



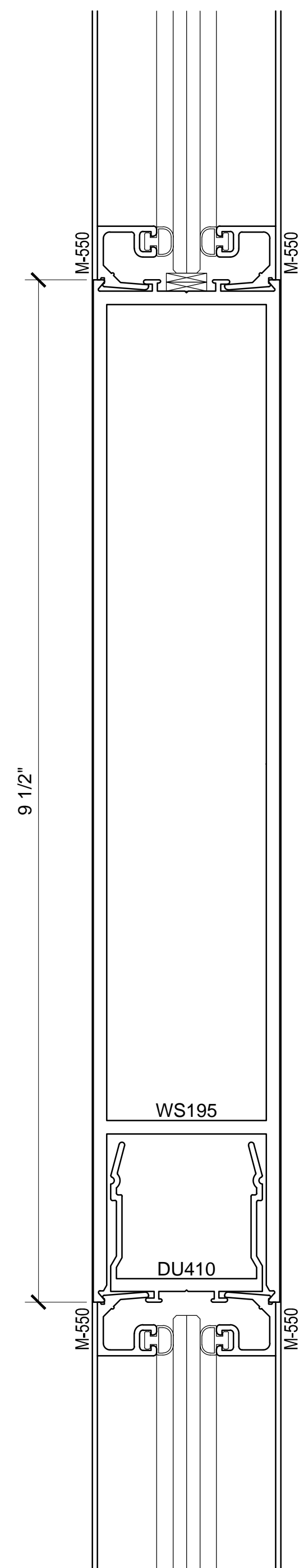
DM955



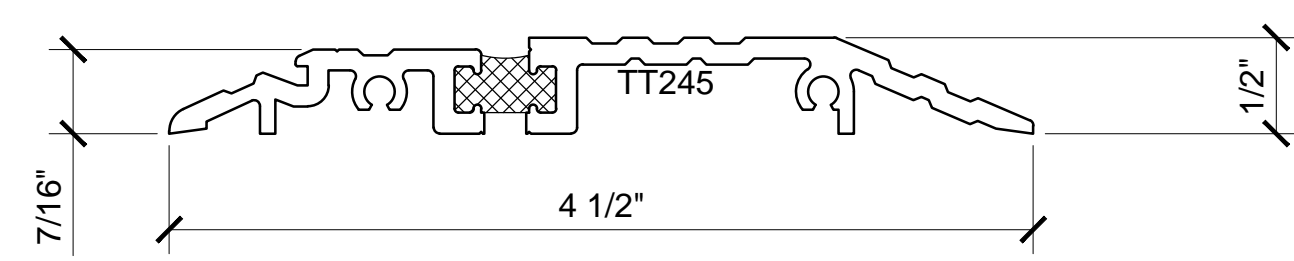
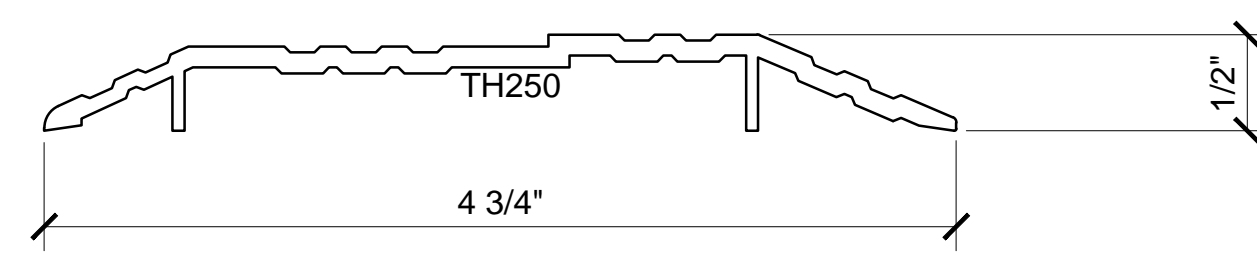
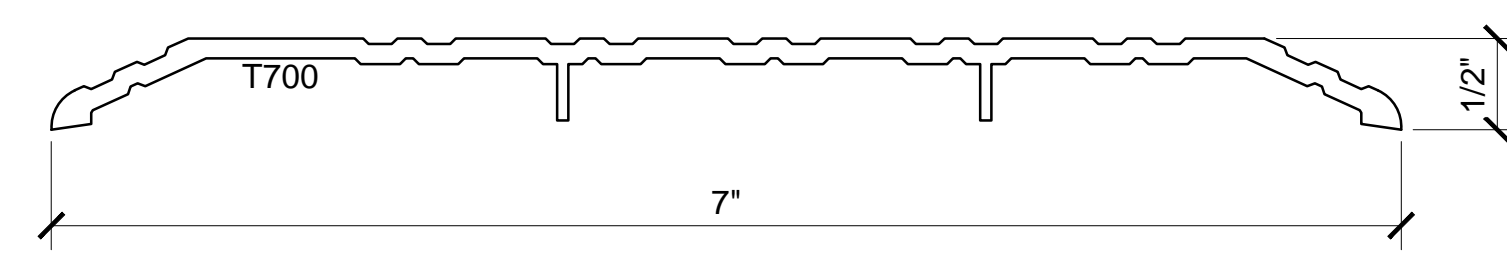
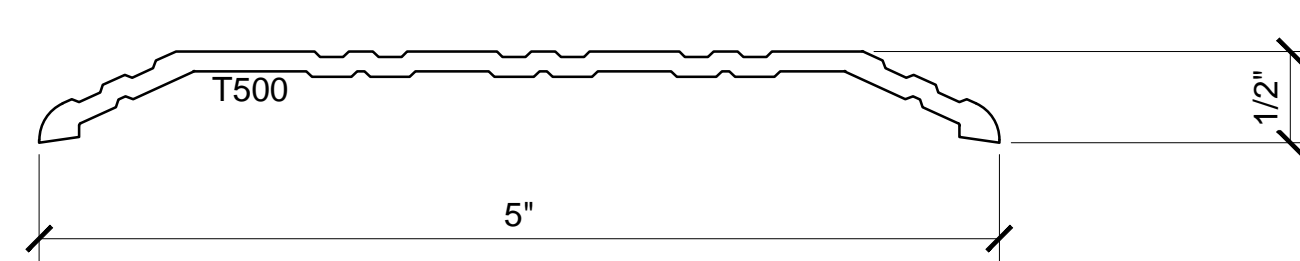
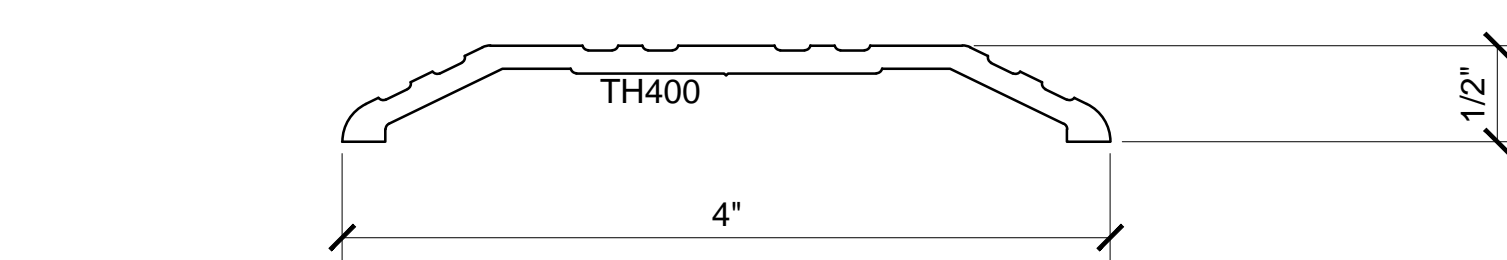
DM640 DM940 ?



DM650

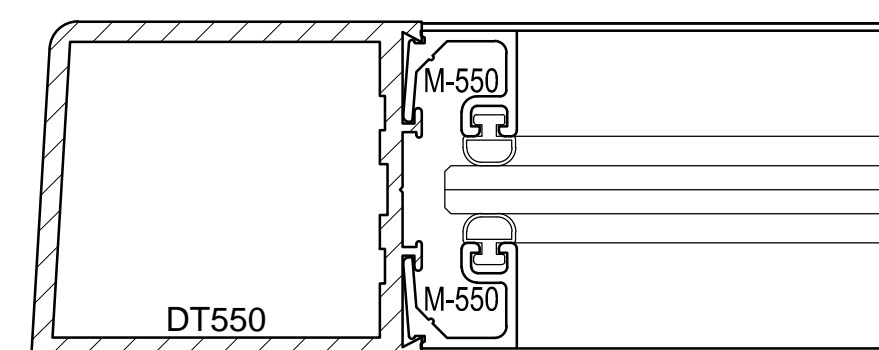


DM959

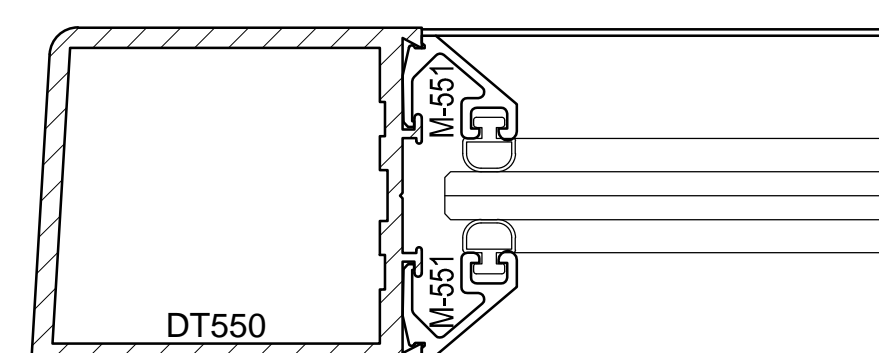


THRESHOLDS

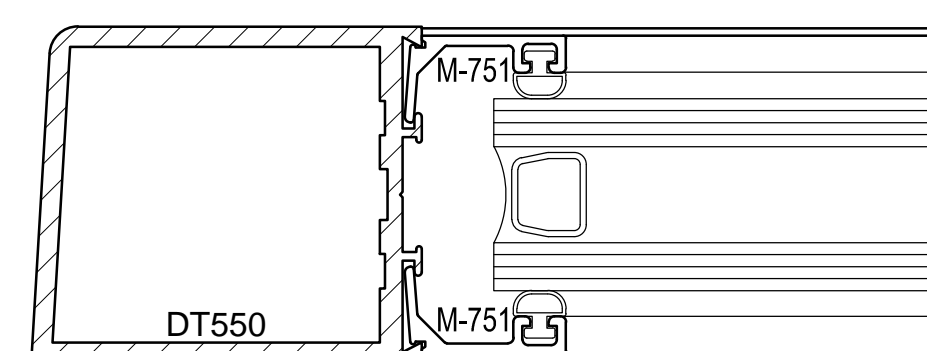
DOOR MUNTINS



1/4" GLASS - SQUARE

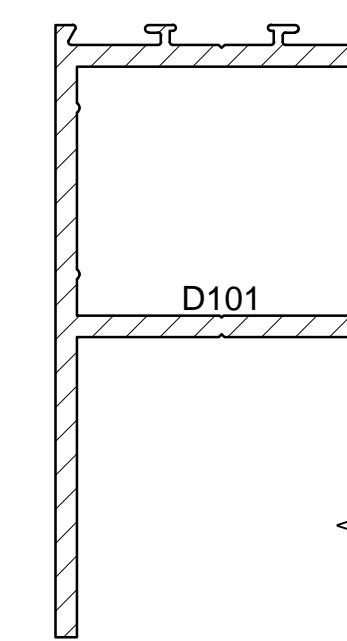
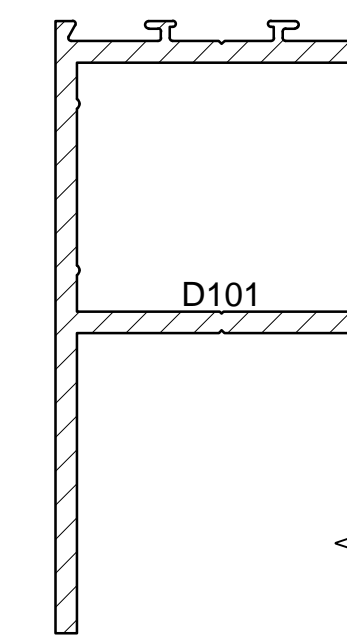
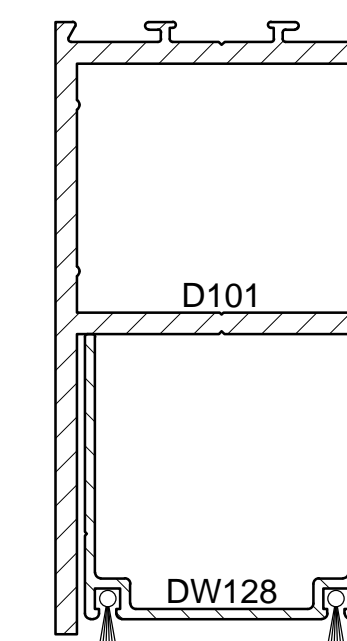
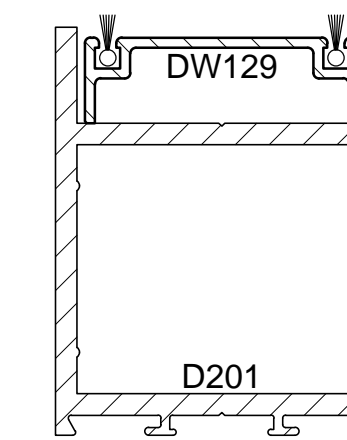


1/4" GLASS - TAPERED



1" GLASS

GLAZING OPTIONS



TOP AND BOTTOM WEATHERSTRIPPING

Revisions By:



Description:
CRL US ALUMINUM
SERIES OS451 & OS451SG
WINDOW WALLS
FOR 1" & 1/4" GLASS

Drawn By: TMG
 Date: 04/15/15
 Scale: AS NOTED
 File Name:
 OS451/OS451SG.dwg

Sheet



WINDOW WALLS

OS -2 OFFSET SYSTEMS - OS451 SERIES (90 DEGREE & 135 DEGREE CORNERS FOR 1" GLASS)

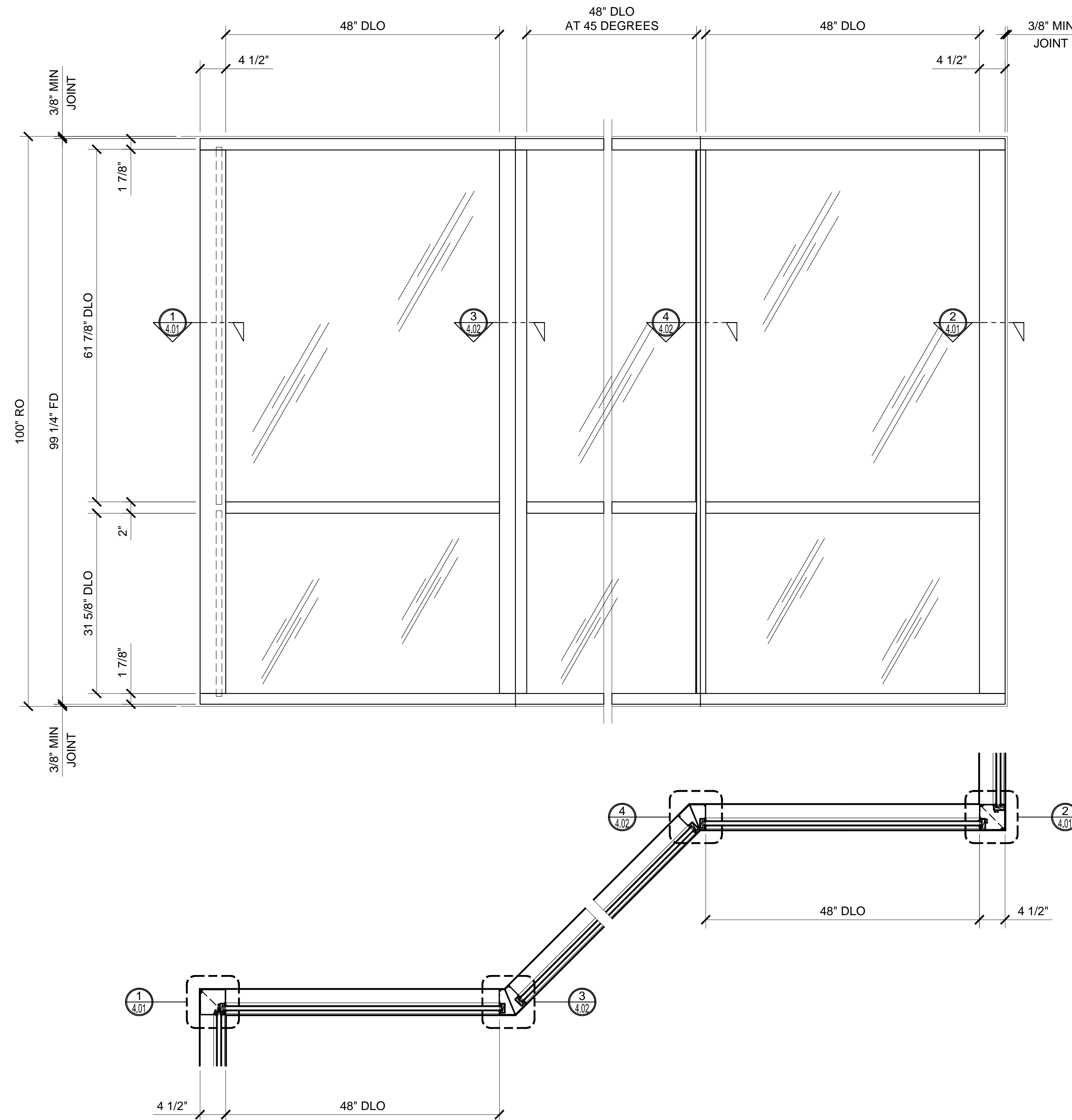
OS451 & OS451SG SERIES SPECIFICATIONS

Fabrication and installation labor costs have always been a decisive factor in selecting framing systems for storefront projects. U.S. Aluminum offers cost efficient versatile Offset Glazed Systems with clean lines and superb performance. Series OS451 & OS451SG were designed for labor saving stacking type installations, and may be interior or exterior glazed. A top load E.P.D.M. gasket is used to position and weatherseal the glass in the aluminum pocket. Offset Glazed Systems are compatible with most U.S. Aluminum entrance doors.

- 2" x 4 1/2" frame
- 1" Glazing infill (SHOWN) Optional snap-in reducers for 1/4" glass is available
- Full range of accessory components
- Available in an array of architectural coatings and anodized finishes
- Anchor clips assembly
- Interior or Exterior Glazed

1" = 1'-0"

GLASS SIZING NOTE:
REFERENCE U.S. ALUMINUM
CATALOGS AND WEBSITE'S
LOAD CHARTS FOR SIZING
GUIDELINES.



STANDARD ABBREVIATIONS

RO	ROUGH OPENING
FD	FRAME DIMENSION
DLO	DAYLIGHT OPENING
DO	DOOR OPENING
DD	DOOR DIMENSION
DP	DIMENSION POINT
SMC	SURFACE MOUNTED CLOSER
OHCC	OVERHEAD CONCEALED CLOSER

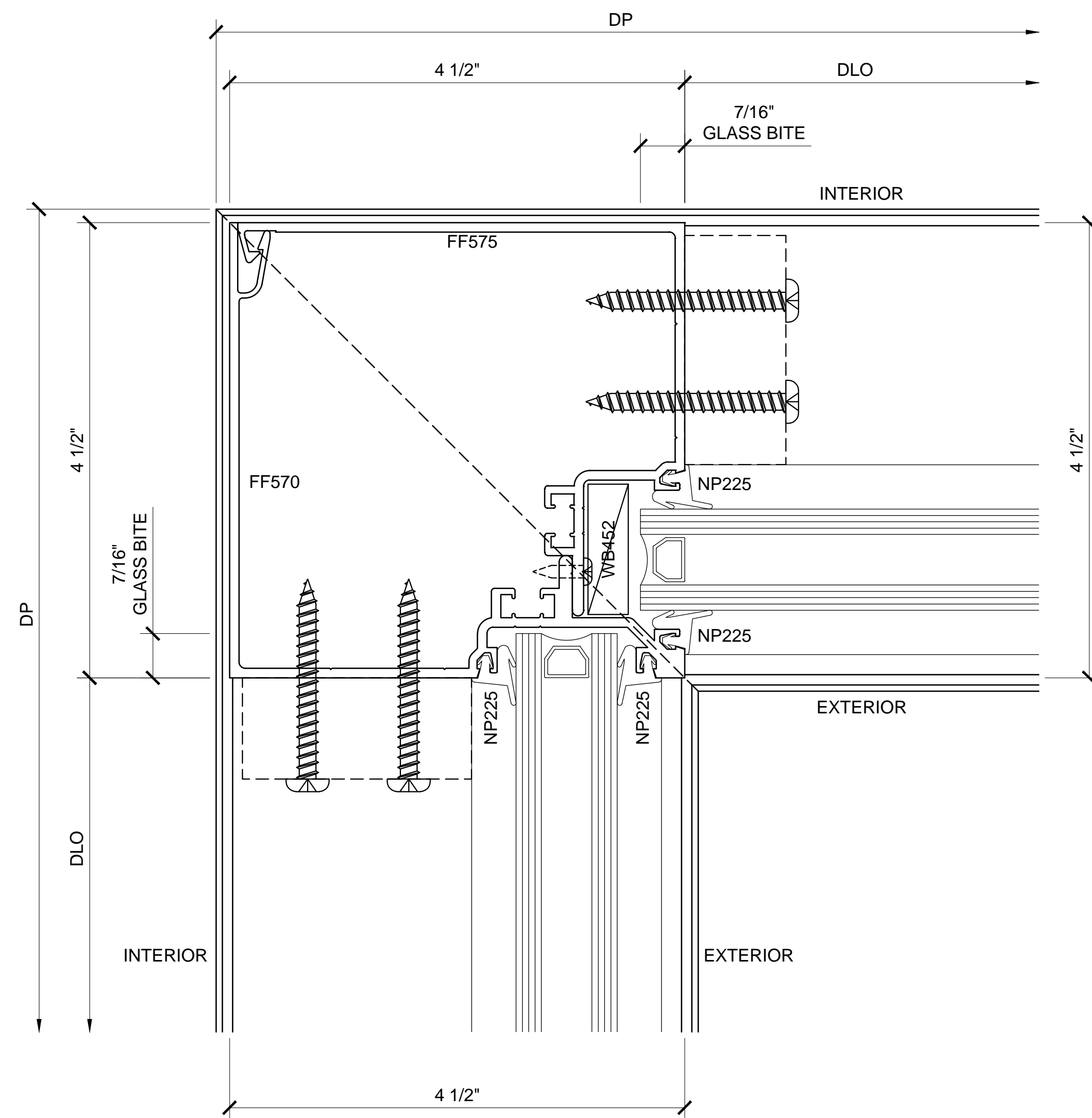
Revisions By:



Description:
CRL US ALUMINUM
SERIES OS451 & OS451SG
WINDOW WALLS
FOR 1" & 1/4" GLASS

Drawn By: TMG
Date: 04/15/15
Scale: AS NOTED
File Name: OS451/OS451SG.dwg
Sheet

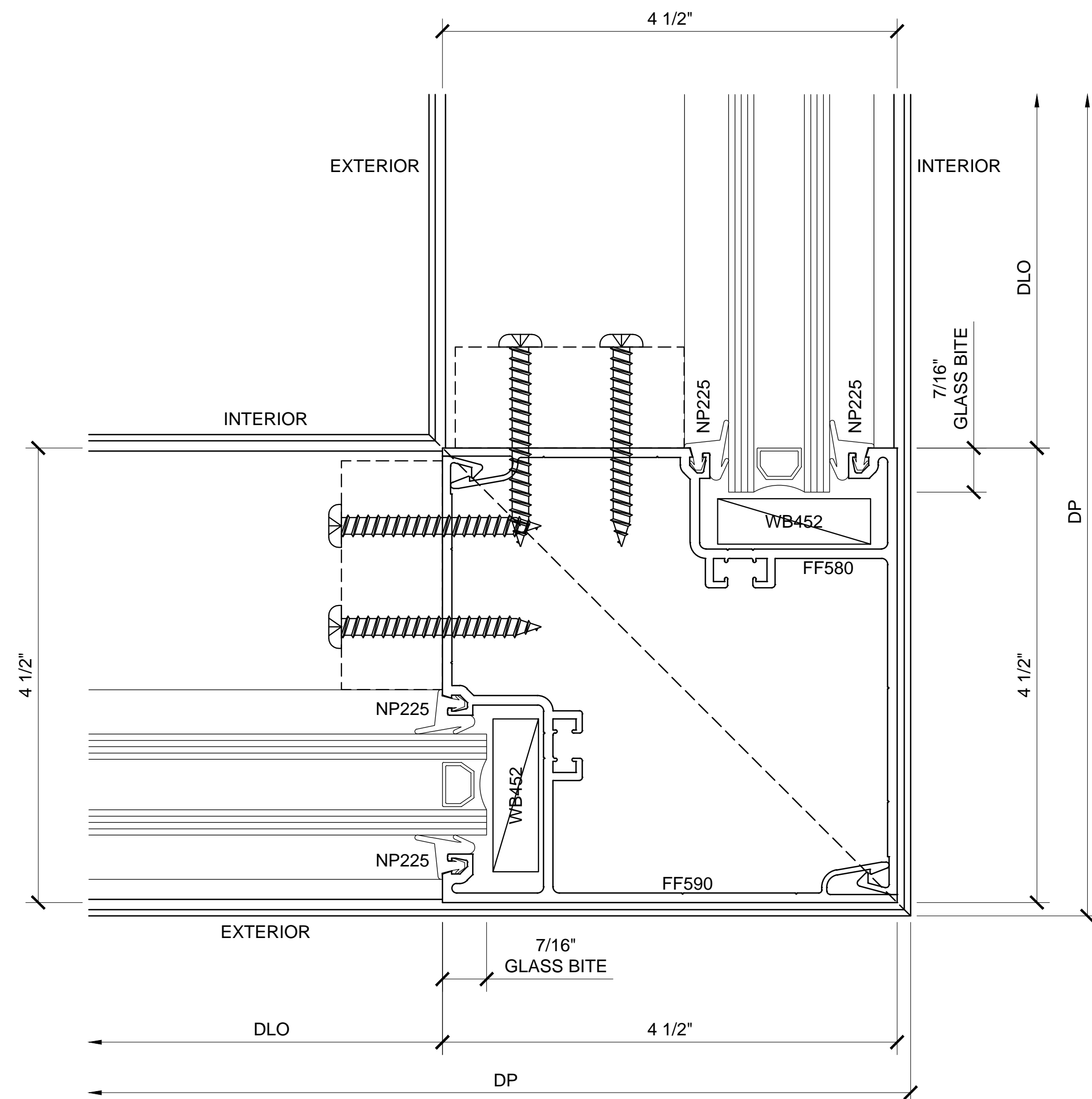
Revisions By:



① SECTION DETAIL AT 90 DEGREES CORNER VERTICAL

ARCH REF: N/A

1'-0"=1'-0"



② SECTION DETAIL AT 90 DEGREES CORNER VERTICAL

ARCH REF: N/A

1'-0"=1'-0"

OS-2 OFFSET SYSTEM - OS451 SERIES CORNER DETAILS

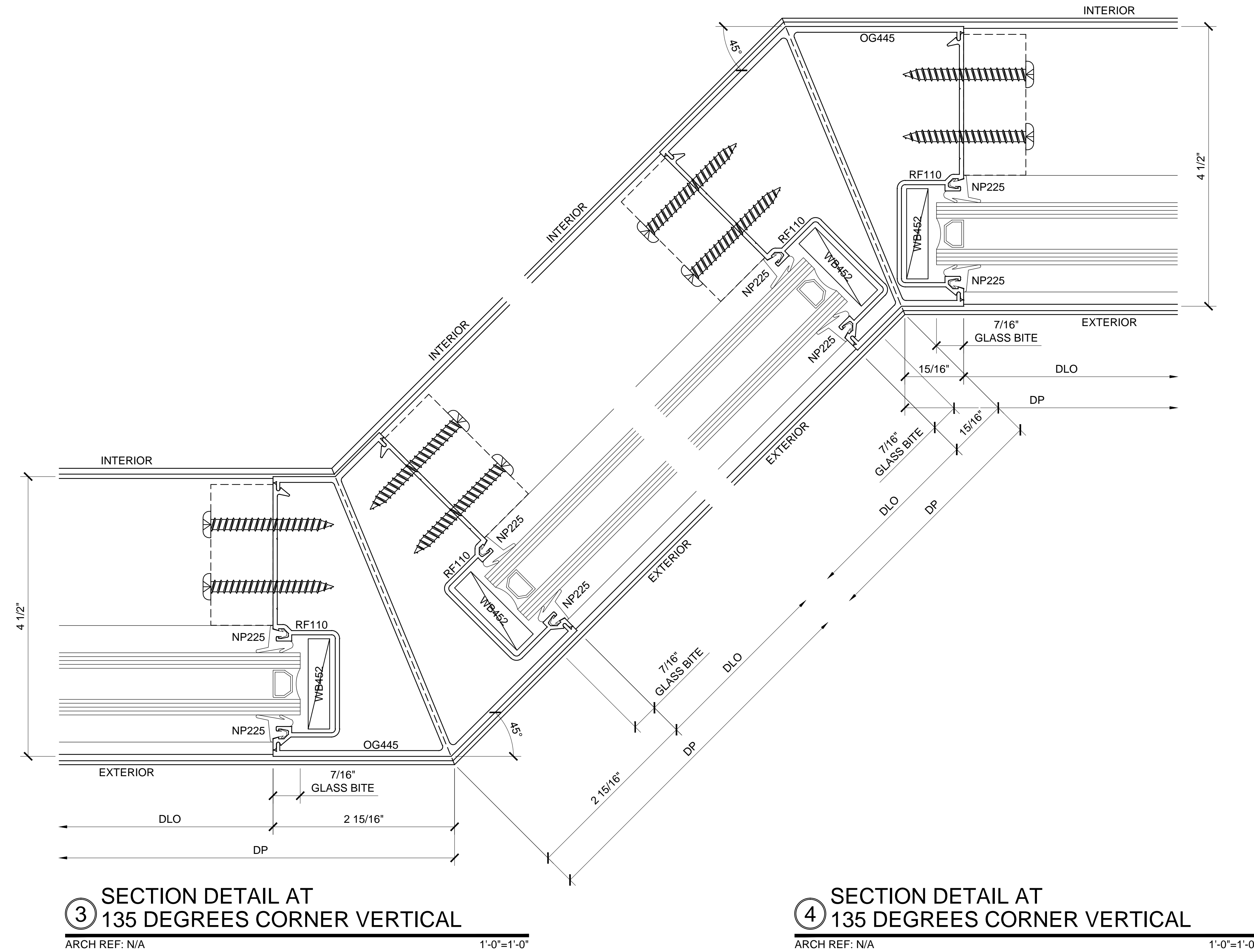
Description:
CRL US ALUMINUM
SERIES OS451 & OS451SG
WINDOW WALLS
FOR 1" & 1/4" GLASS

Drawn By: TMG
Date: 04/15/15
Scale: AS NOTED
File Name:
OS451/OS451SG.dwg

Sheet

Revisions By:

CRL
US ALUMINUM
C.R. LAURENCE CO. ARCHITECTURAL PRODUCTS
2503 E. Vermon Avenue, Los Angeles, CA 90058-1897
PH (800)-421-6144 FX: 800-587-7301 www.crlaurence.com



Description:
CRL US ALUMINUM
SERIES OS451 & OS451SG
WINDOW WALLS
FOR 1" & 1/4" GLASS

Drawn By: TMG
Date: 04/15/15
Scale: AS NOTED
File Name:
OS451/OS451SG.dwg
Sheet

OS-2 OFFSET SYSTEM - OS451 SERIES CORNER DETAILS

OS -2 OFFSET SYSTEMS - OS451SG SERIES / STRUCTURAL SILICONE GLAZING

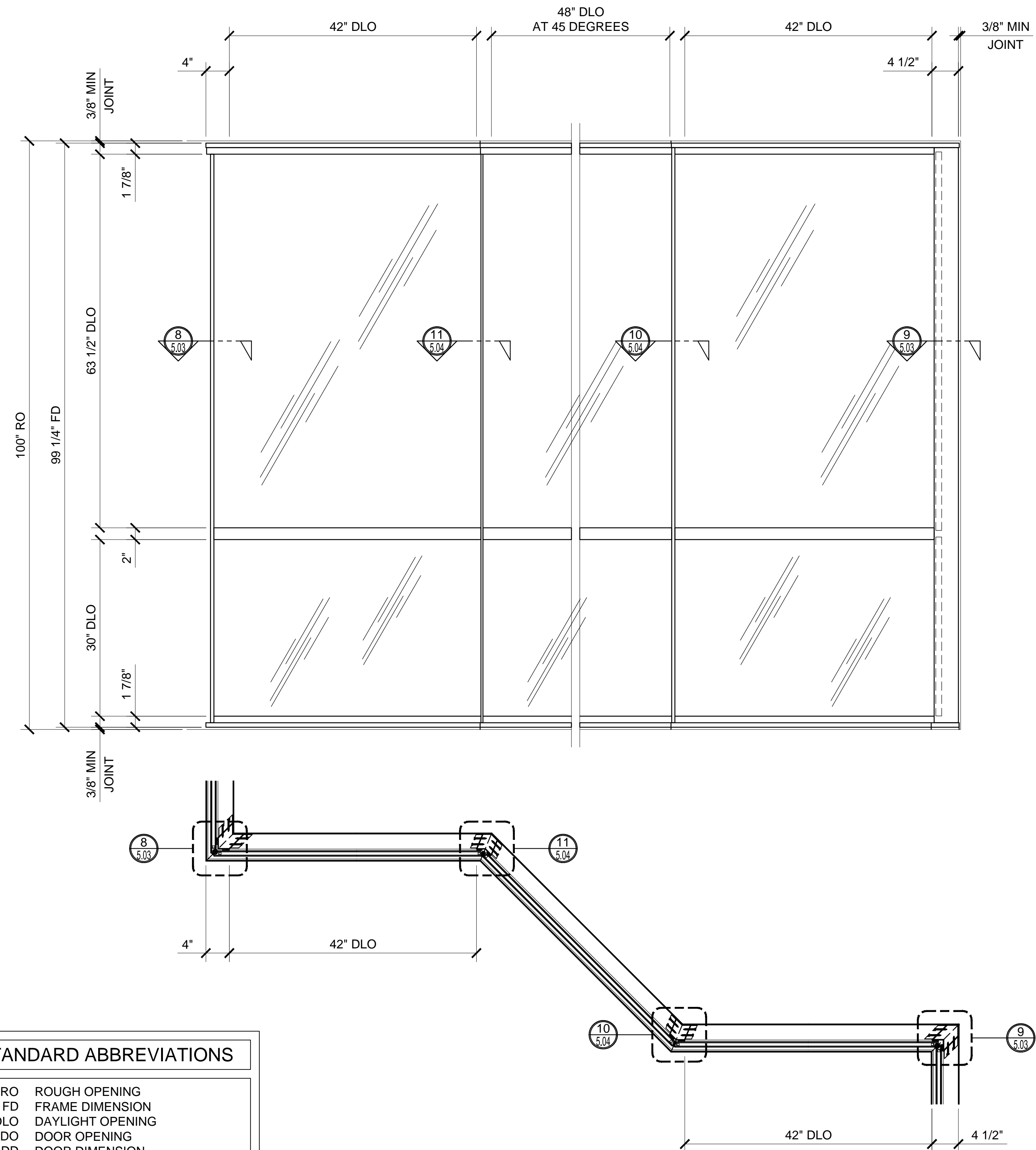
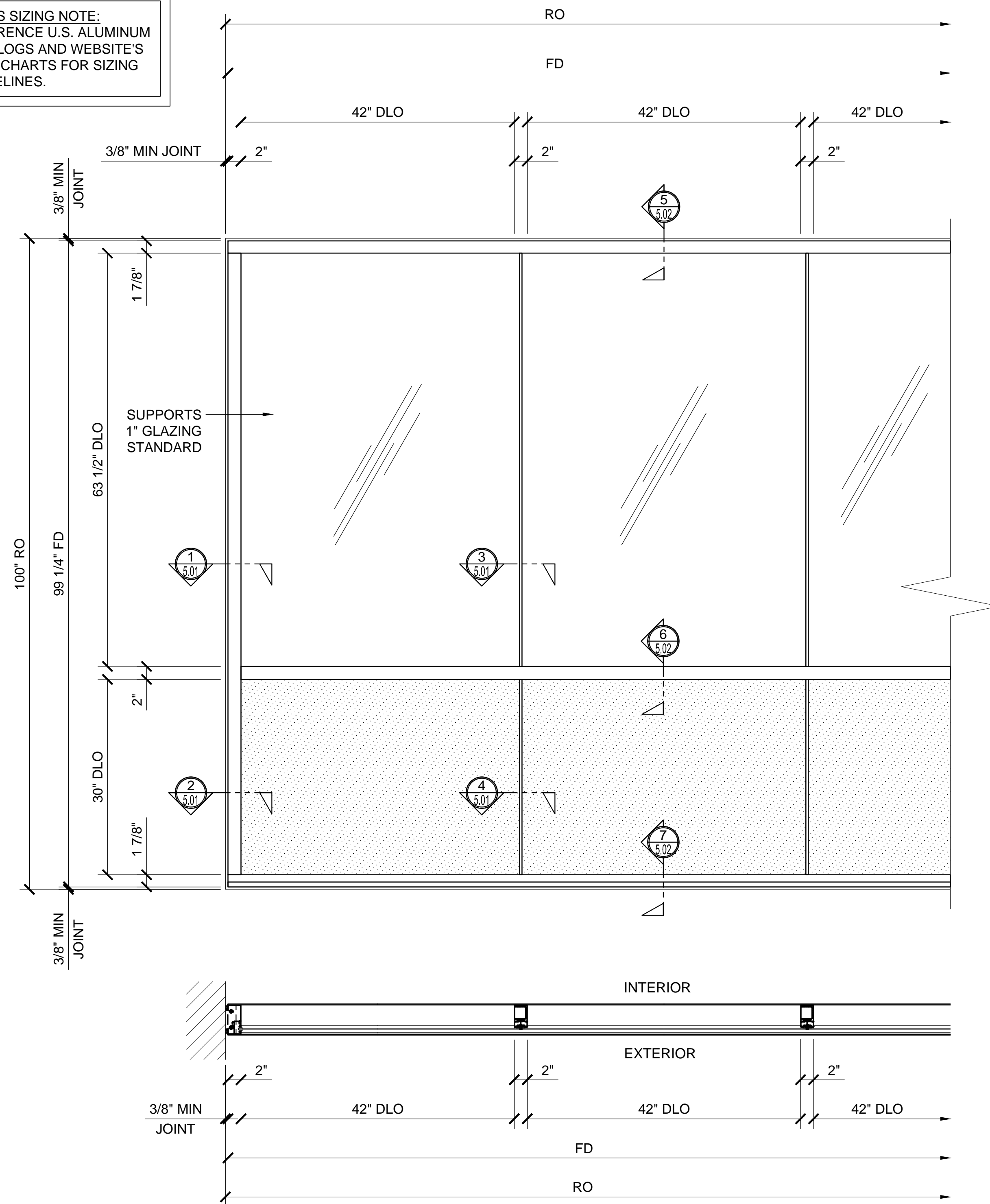
1" = 1'-0"

OS451 & OS451SG SERIES SPECIFICATIONS

Fabrication and installation labor costs have always been a decisive factor in selecting framing systems for storefront projects. U.S. Aluminum offers cost efficient versatile Offset Glazed Systems with clean lines and superb performance. Series OS451 & OS451SG were designed for labor saving stacking type installations, and may be interior or exterior glazed. A top load E.P.D.M. gasket is used to position and weatherseal the glass in the aluminum pocket. Offset Glazed Systems are compatible with most U.S. Aluminum entrance doors.

- 2" x 4 1/2" frame
- 1" Glazing infill (SHOWN) Optional snap-in reducers for 1/4" glass is available
- Full range of accessory components
- Available in an array of architectural coatings and anodized finishes
- Anchor clips assembly
- Interior or Exterior Glazed

GLASS SIZING NOTE:
REFERENCE U.S. ALUMINUM
CATALOGS AND WEBSITE'S
LOAD CHARTS FOR SIZING
GUIDELINES.



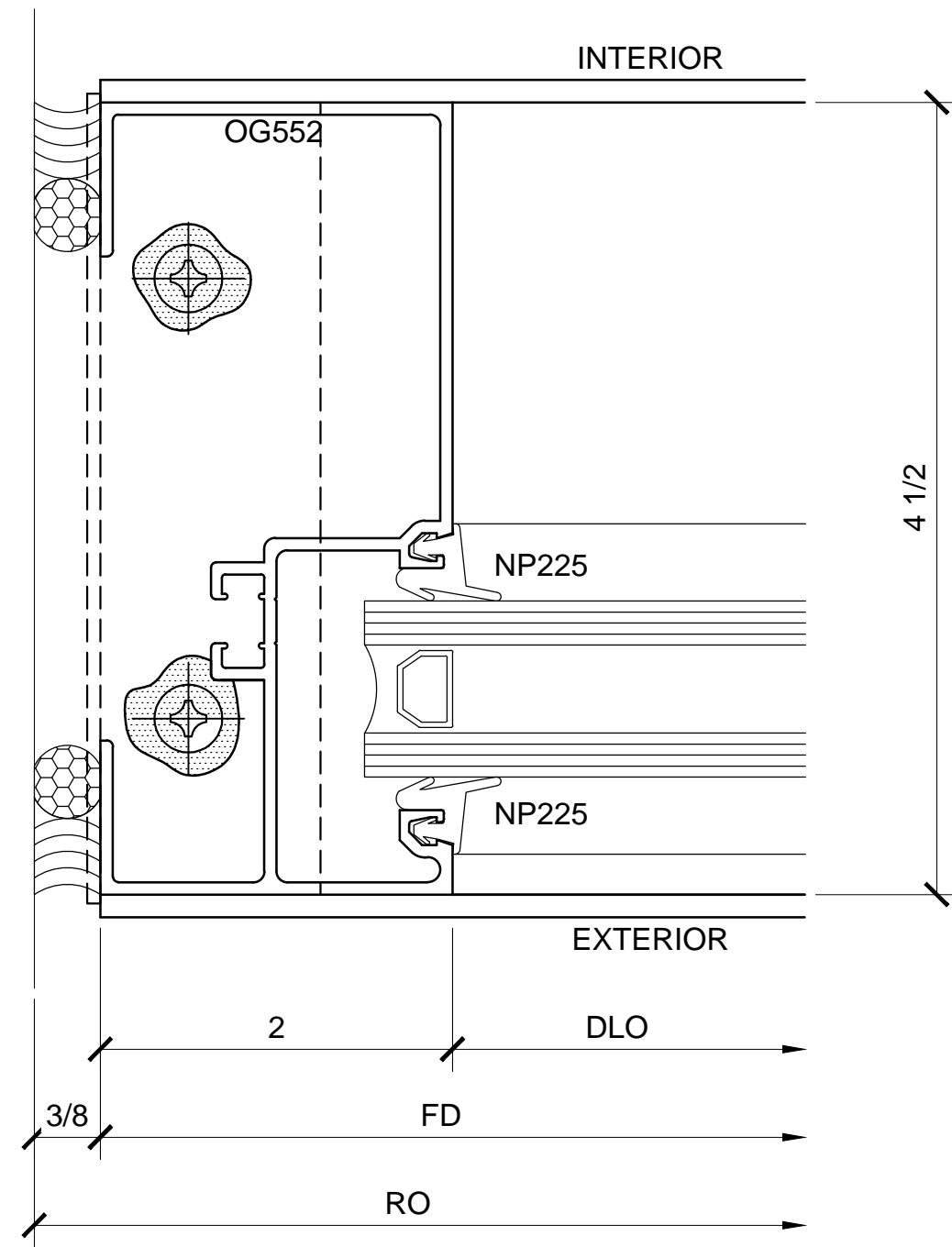
STANDARD ABBREVIATIONS

- RO ROUGH OPENING
- FD FRAME DIMENSION
- DLO DAYLIGHT OPENING
- DO DOOR OPENING
- DD DOOR DIMENSION
- DP DIMENSION POINT
- SMC SURFACE MOUNTED CLOSER
- OHCC OVERHEAD CONCEALED CLOSER

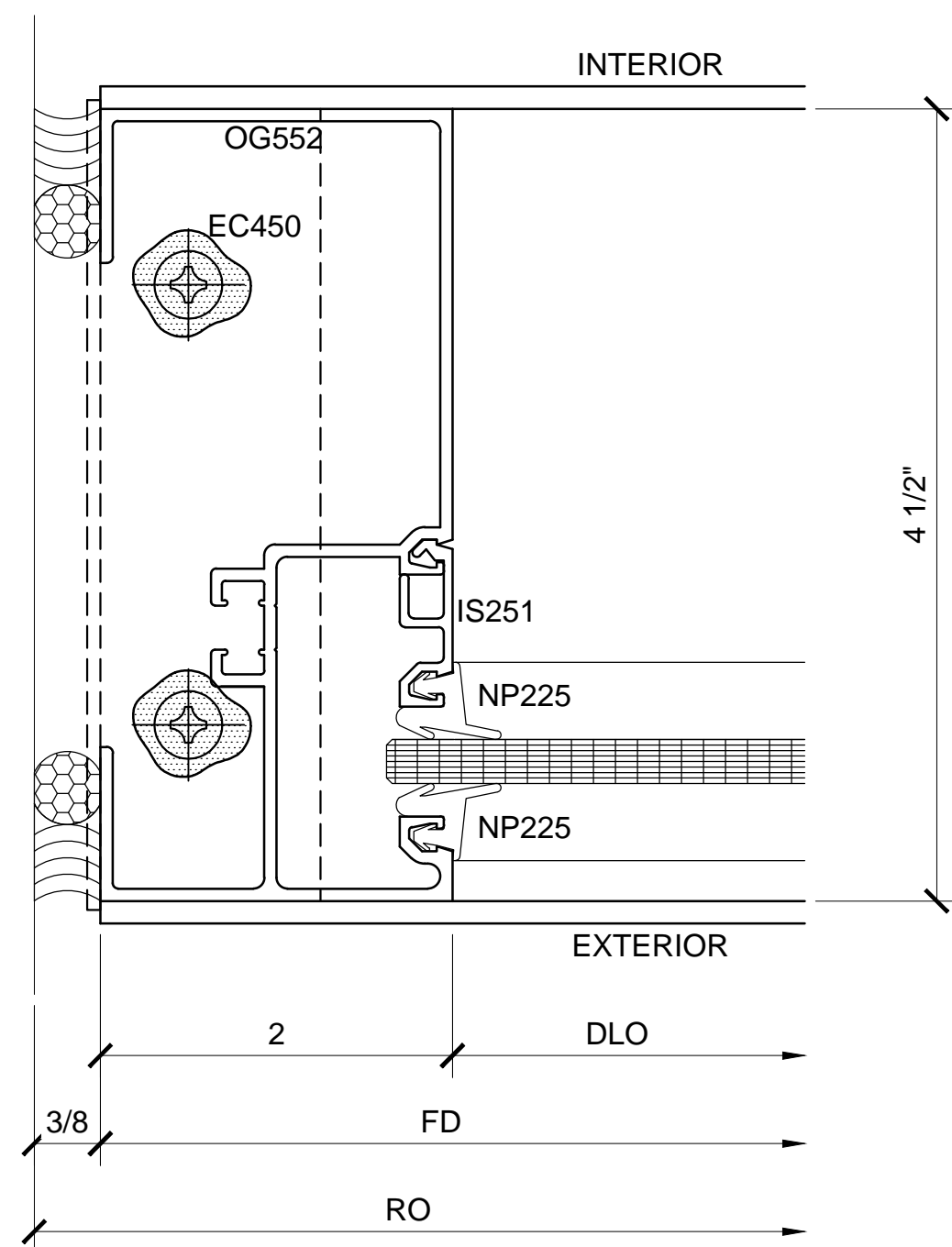
Revisions By:

Discription:
CRL US ALUMINUM
SERIES OS451 & OS451SG
WINDOW WALLS
FOR 1" & 1/4" GLASS

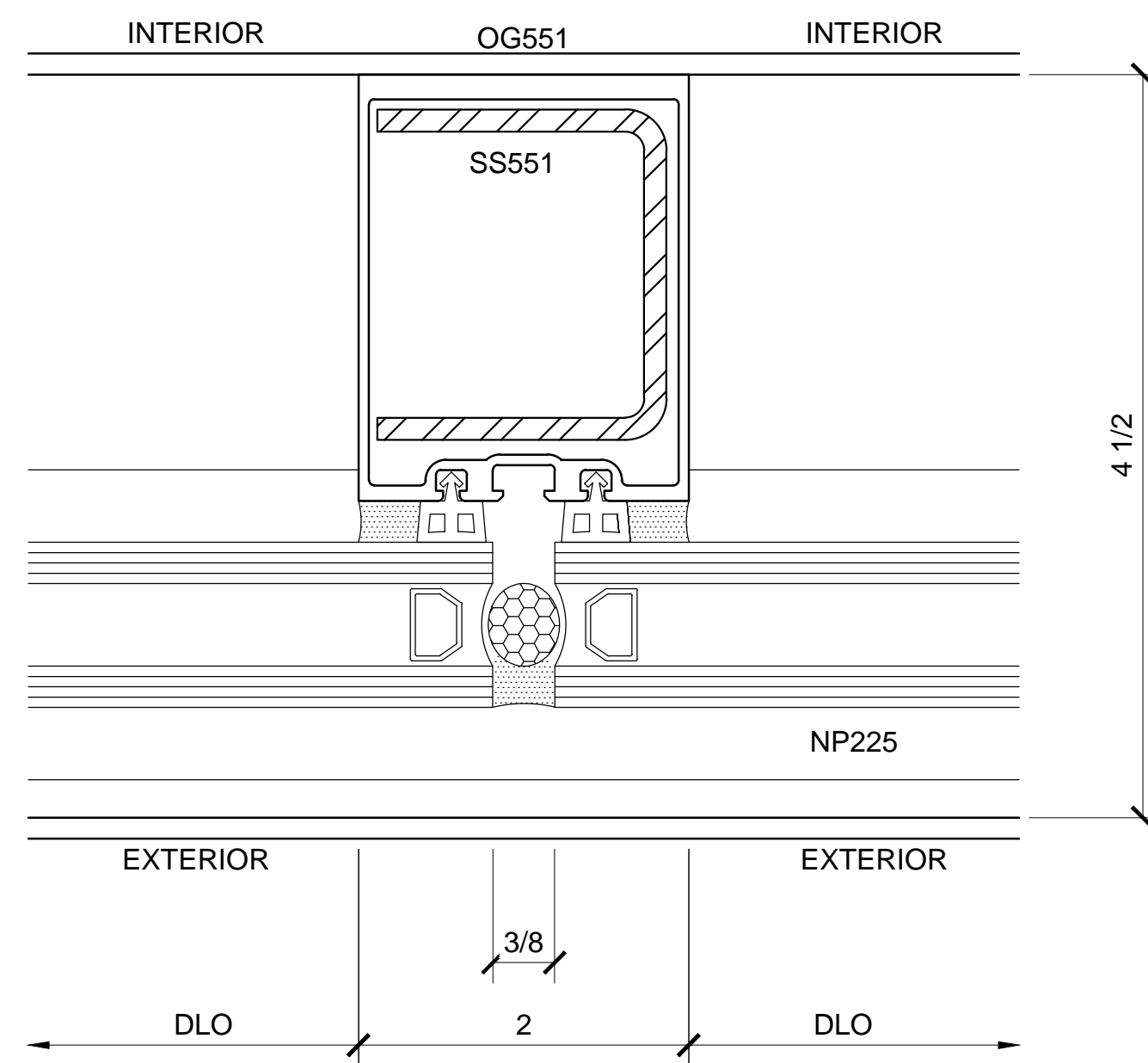
Drawn By: TMG
Date: 04/15/15
Scale: AS NOTED
File Name:
OS451/OS451SG.dwg
Sheet



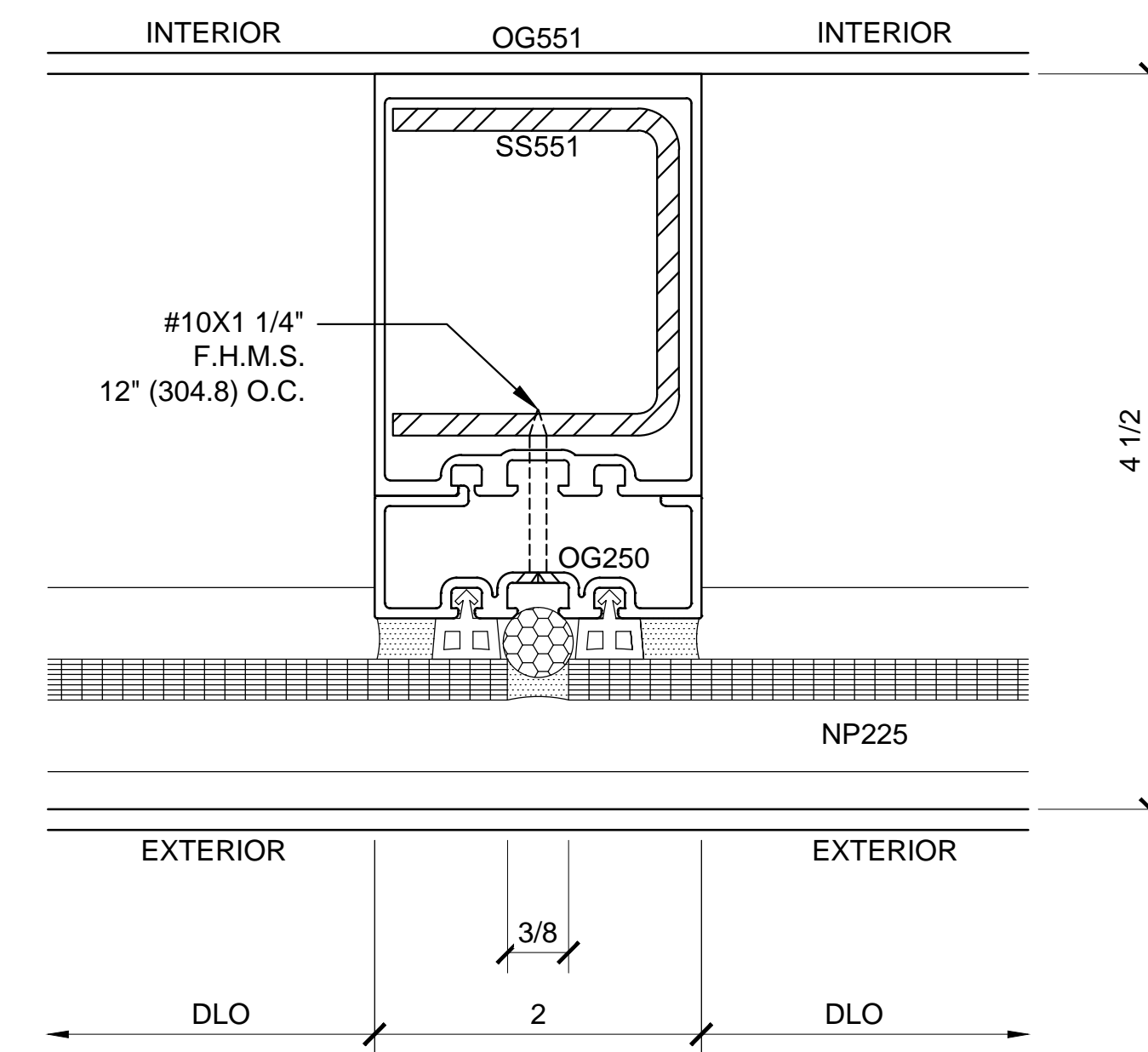
① SECTION DETAIL AT JAMB
 ARCH REF: N/A 1'-0"=1'-0"



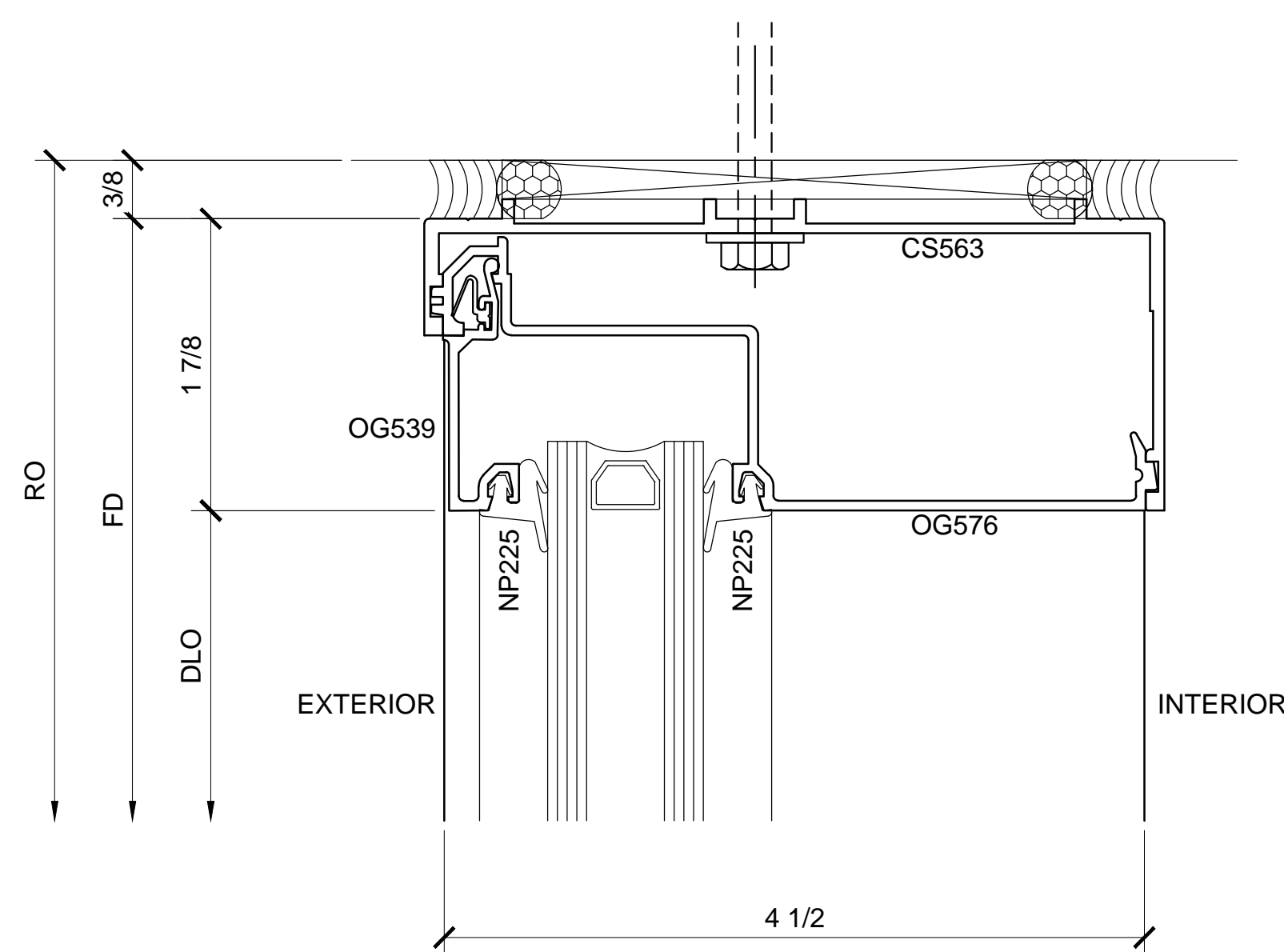
② SECTION DETAIL AT JAMB
 ARCH REF: N/A 1'-0"=1'-0"



③ SECTION DETAIL AT VERTICAL
 ARCH REF: N/A 1'-0"=1'-0"



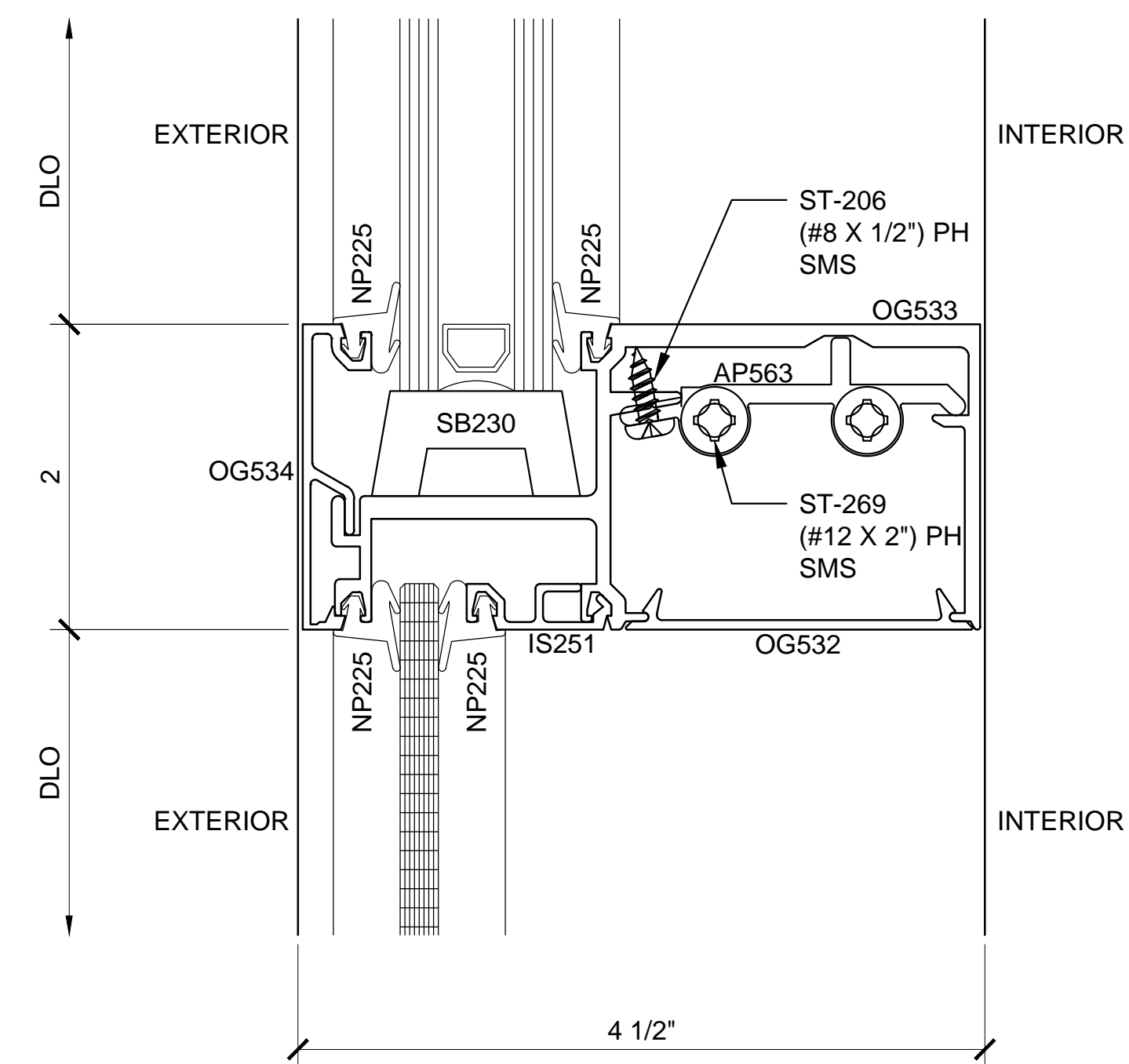
④ SECTION DETAIL AT VERTICAL
 ARCH REF: N/A 1'-0"=1'-0"



⑤ SECTION DETAIL AT HEAD

ARCH REF: N/A

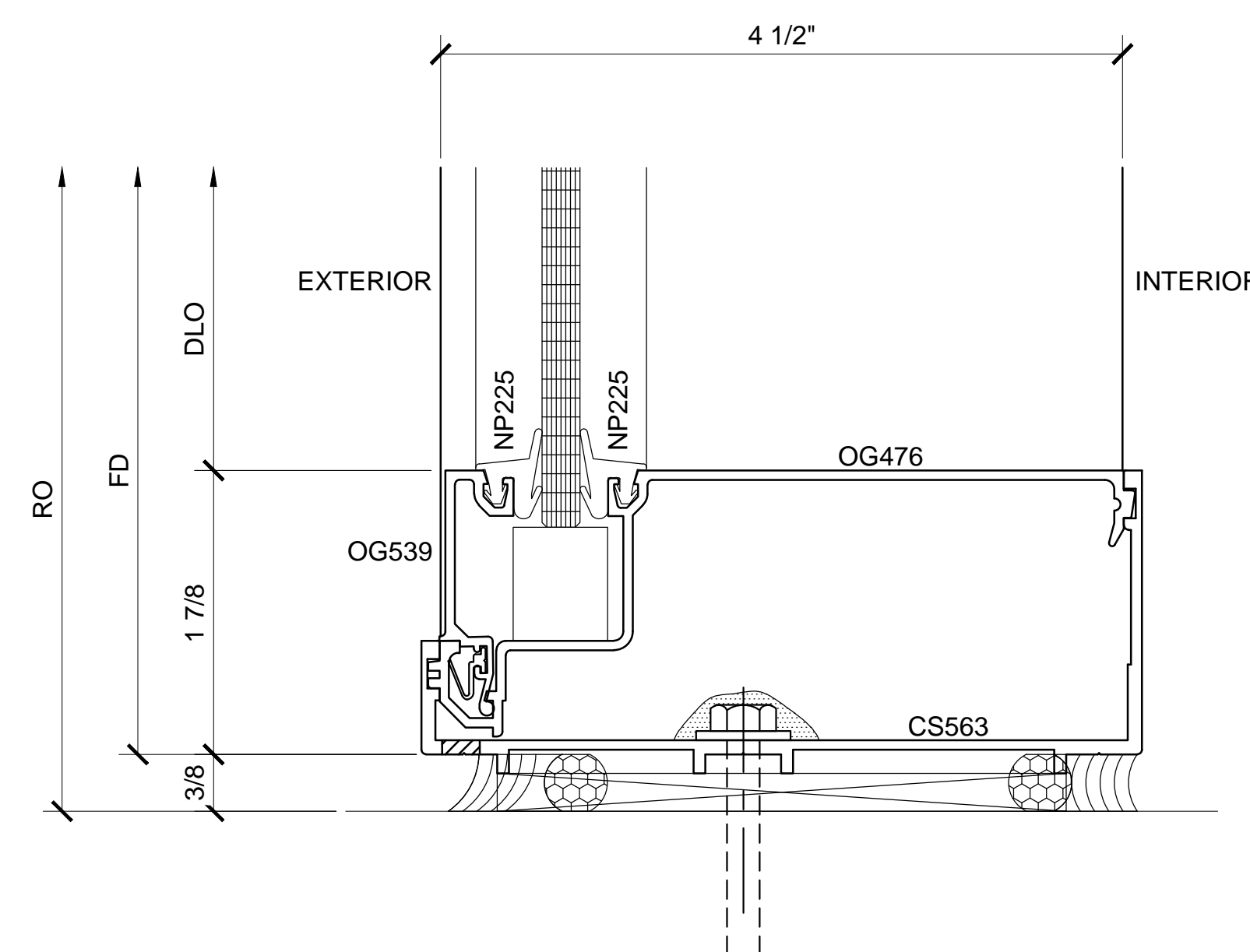
1'-0"=1'-0"



⑥ SECTION DETAIL AT INTERMEDIATE HORIZONTAL

ARCH REF: N/A

1'-0"=1'-0"



⑦ SECTION DETAIL AT SILL

ARCH REF: N/A

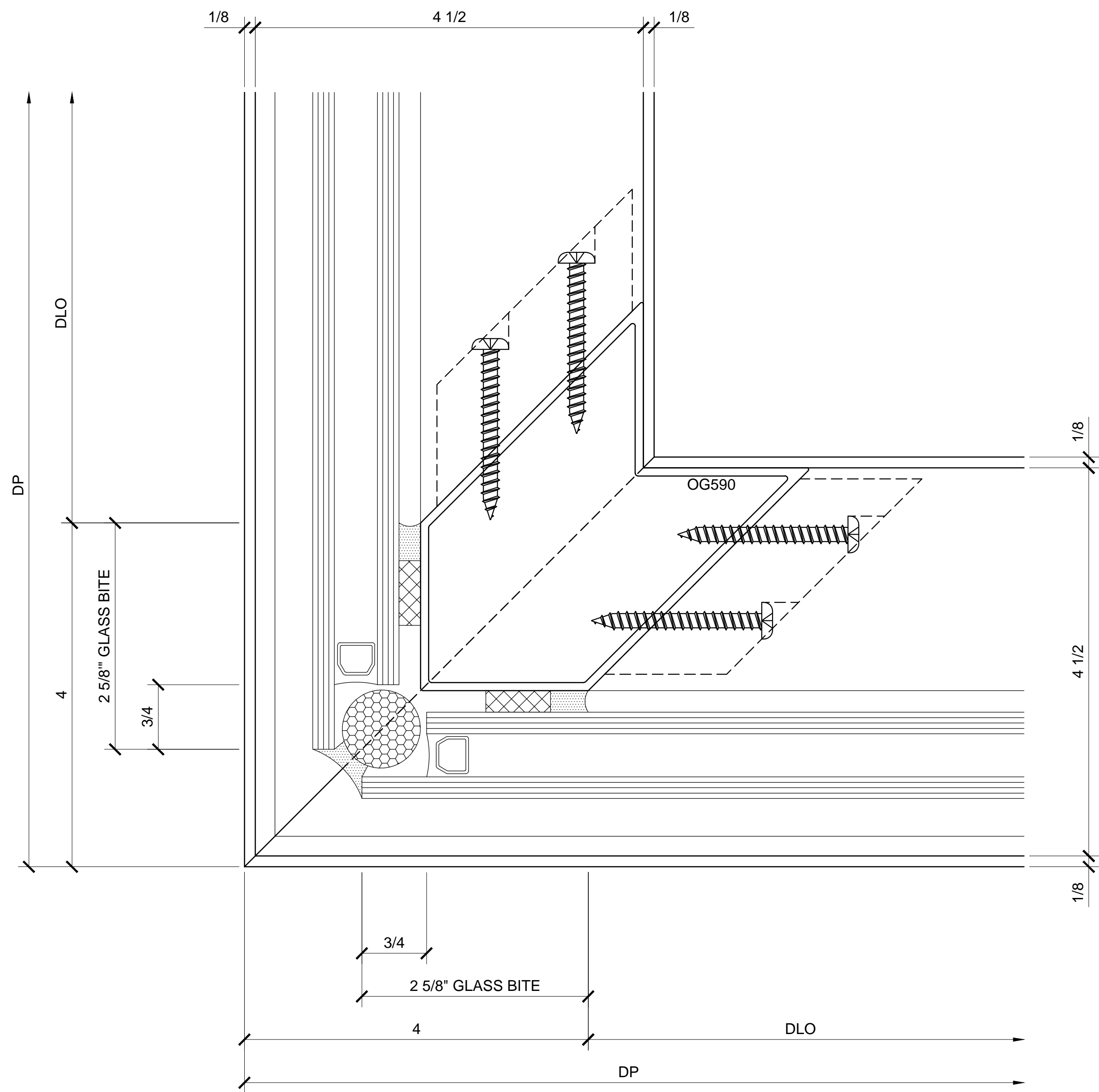
1'-0"=1'-0"

Revisions By:



Description:
CRL US ALUMINUM
SERIES OS451 & OS451SG
WINDOW WALLS
FOR 1" & 1/4" GLASS

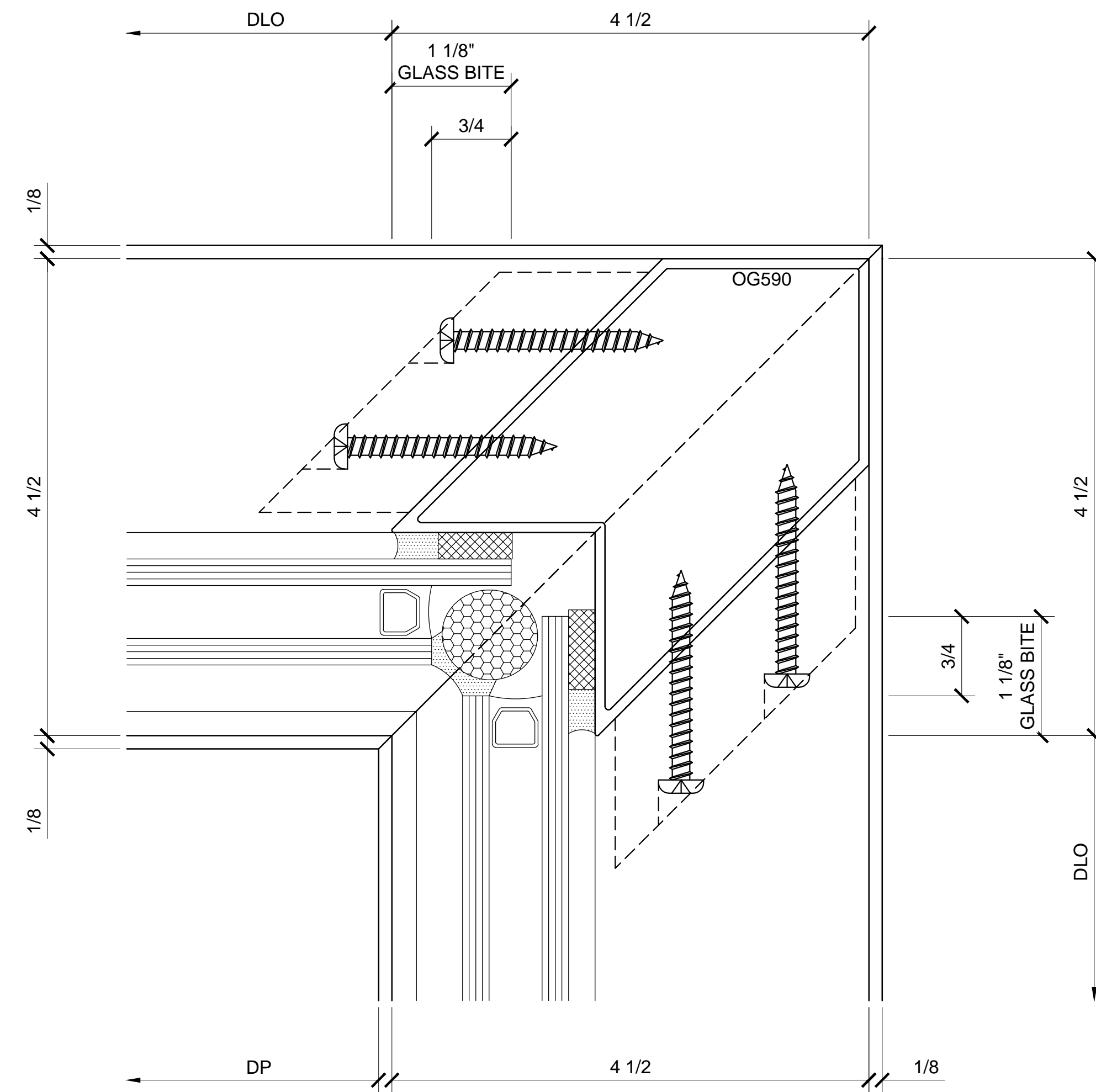
Drawn By: TMG
Date: 04/15/15
Scale: AS NOTED
File Name:
OS451/OS451SG.dwg
Sheet



SECTION DETAIL AT
 ⑧ 90 DEGREES CORNER VERTICAL

ARCH REF: N/A

1'-0"=1'-0"



SECTION DETAIL AT
 ⑨ 90 DEGREES CORNER VERTICAL

ARCH REF: N/A

1'-0"=1'-0"

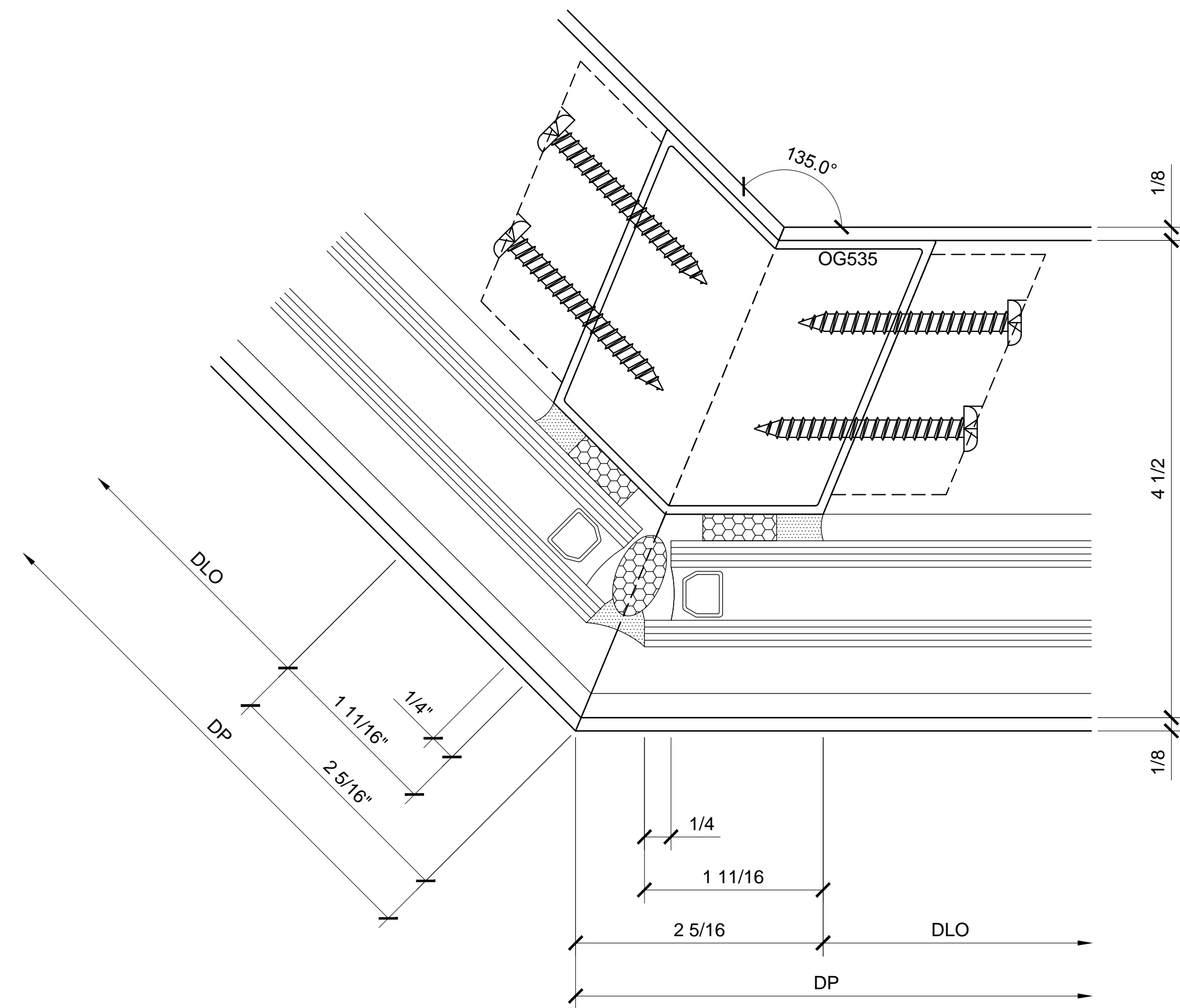
OS-2 OFFSET SYSTEM - OS451SG SERIES STRUCTURAL SILICONE GLAZING CORNER DETAILS

Drawn By: TMG
 Date: 04/15/15
 Scale: AS NOTED
 File Name:
 OS451/OS451SG.dwg

Sheet

Revisions By:

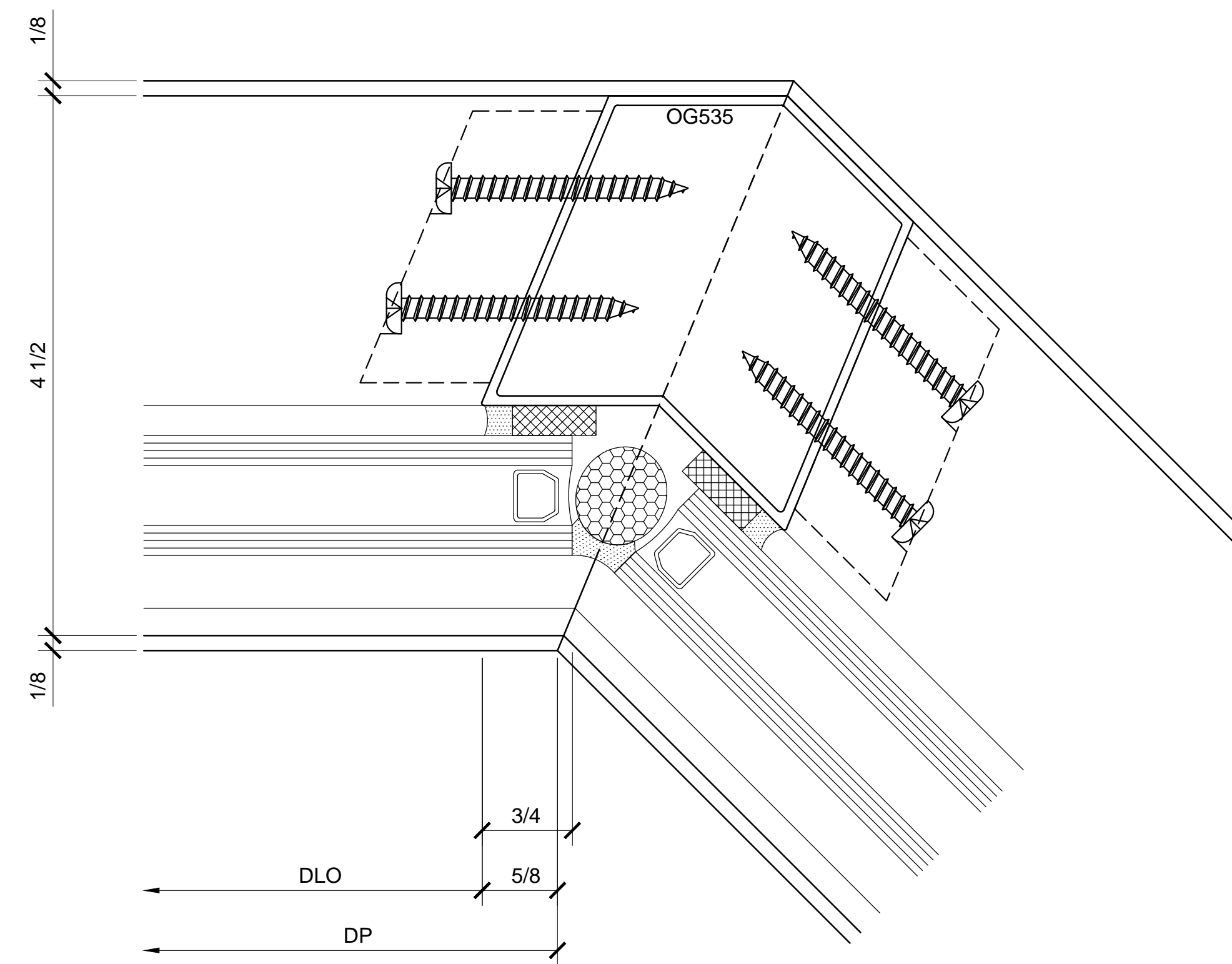
CRL
US ALUMINUM
C.R. LAURENCE CO. ARCHITECTURAL PRODUCTS
2503 E. Vernon Avenue, Los Angeles, CA 90058-1897
PH (800)-421-6144 FX: 800-587-7301 www.crlaurence.com



10 SECTION DETAIL AT
135 DEGREES CORNER VERTICAL

ARCH REF: N/A

1'-0"=1'-0"



11 SECTION DETAIL AT
135 DEGREES CORNER VERTICAL

ARCH REF: N/A

1'-0"=1'-0"

OS-2 OFFSET SYSTEM - OS451SG SERIES STRUCTURAL SILICONE GLAZING CORNER DETAILS

Description:
CRL US ALUMINUM
SERIES OS451 & OS451SG
WINDOW WALLS
FOR 1" & 1/4" GLASS

Drawn By: TMG
Date: 04/15/15
Scale: AS NOTED
File Name:
OS451/OS451SG.dwg

Sheet



WINDOW WALLS

OS -2 OFFSET SYSTEMS - OS451 SERIES WITH TRANSITION GLAZING

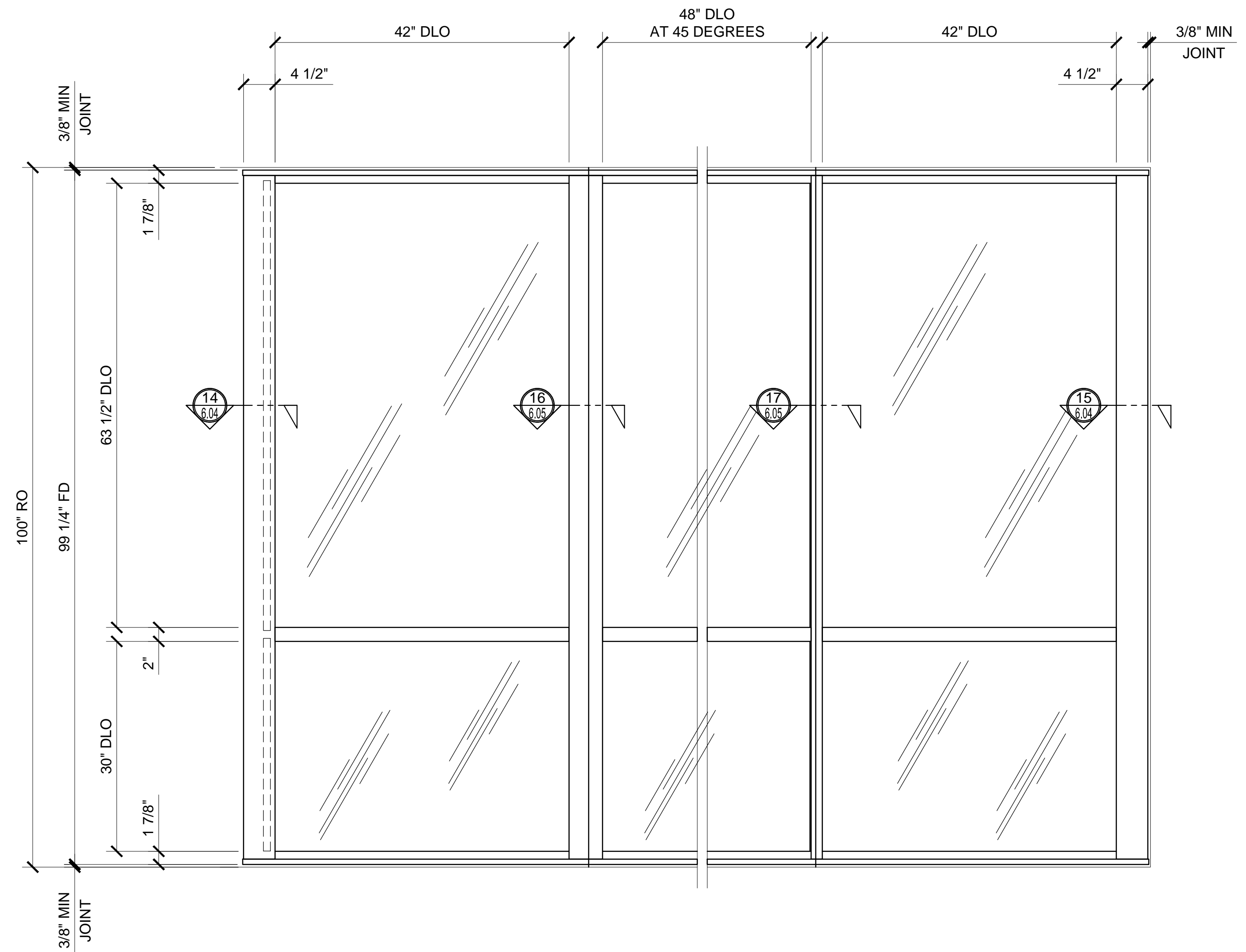
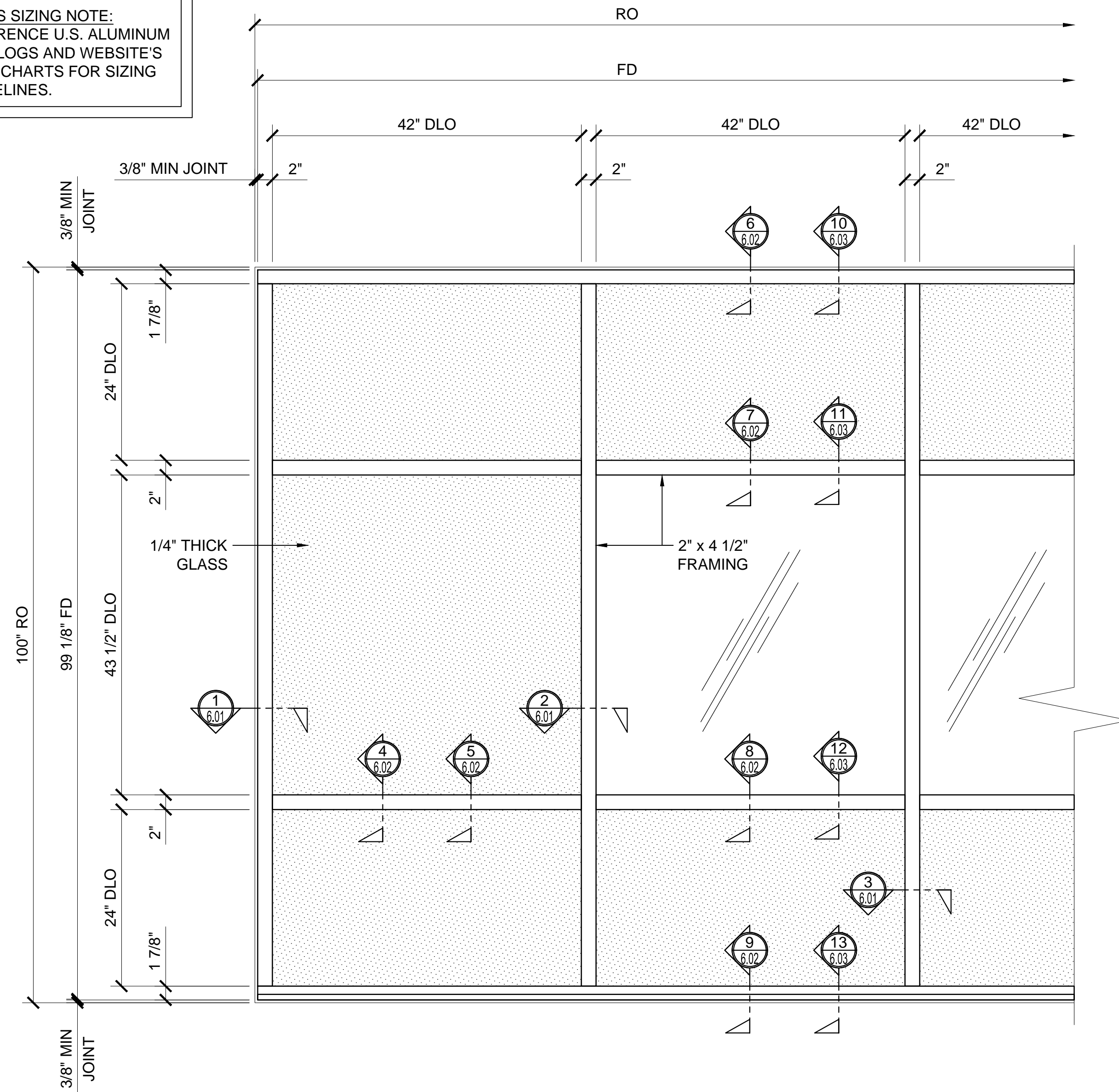
OS451 & OS451SG SERIES SPECIFICATIONS

Fabrication and installation labor costs have always been a decisive factor in selecting framing systems for storefront projects. U.S. Aluminum offers cost efficient versatile Offset Glazed Systems with clean lines and superb performance. Series OS451 & OS451SG were designed for labor saving stacking type installations, and may be interior or exterior glazed. A top load E.P.D.M. gasket is used to position and weatherseal the glass in the aluminum pocket. Offset Glazed Systems are compatible with most U.S. Aluminum entrance doors.

- 2" x 4 1/2" frame
- 1" Glazing infill (SHOWN) Optional snap-in reducers for 1/4" glass is available
- Full range of accessory components
- Available in an array of architectural coatings and anodized finishes
- Anchor clips assembly
- Interior or Exterior Glazed

1" = 1'-0"

GLASS SIZING NOTE:
REFERENCE U.S. ALUMINUM
CATALOGS AND WEBSITE'S
LOAD CHARTS FOR SIZING
GUIDELINES.



STANDARD ABBREVIATIONS

- RO ROUGH OPENING
- FD FRAME DIMENSION
- DLO DAYLIGHT OPENING
- DO DOOR OPENING
- DD DOOR DIMENSION
- DP DIMENSION POINT
- SMC SURFACE MOUNTED CLOSER
- OHCC OVERHEAD CONCEALED CLOSER

Revisions By:

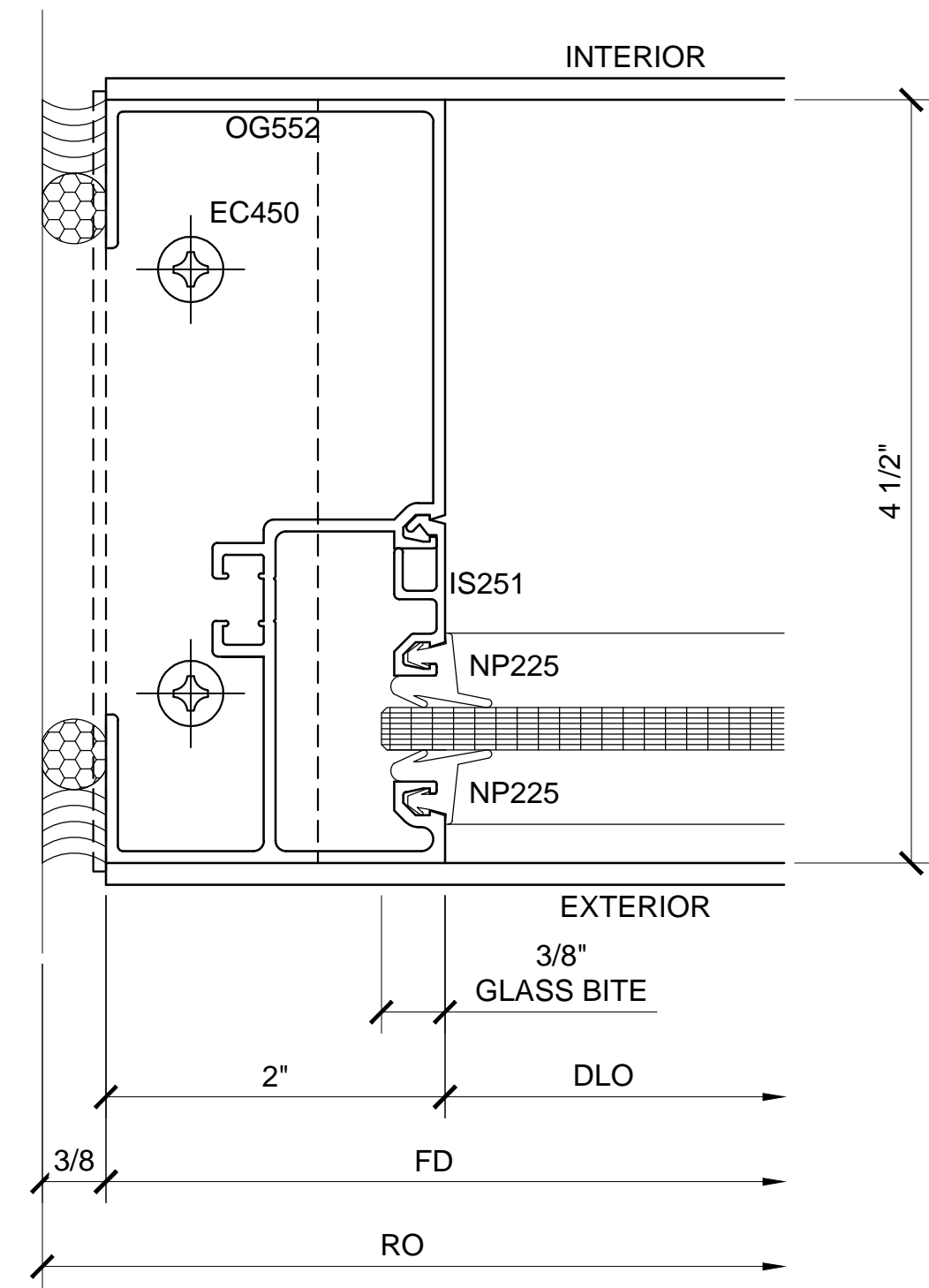


Description:
CRL US ALUMINUM
SERIES OS451 & OS451SG
WINDOW WALLS
FOR 1" & 1/4" GLASS

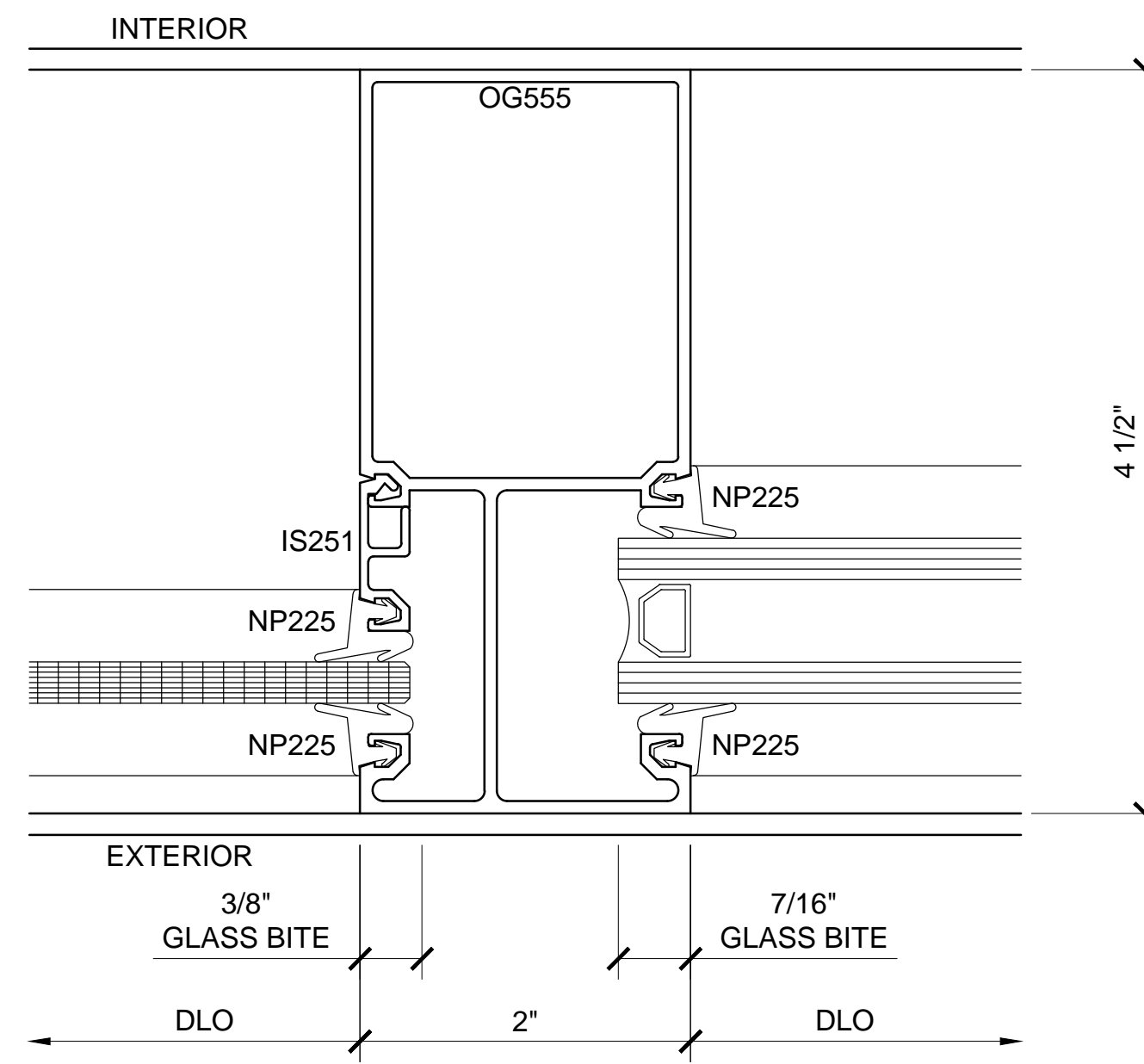
Drawn By: TMG
Date: 04/15/15
Scale: AS NOTED
File Name:

OS451/OS451SG.dwg

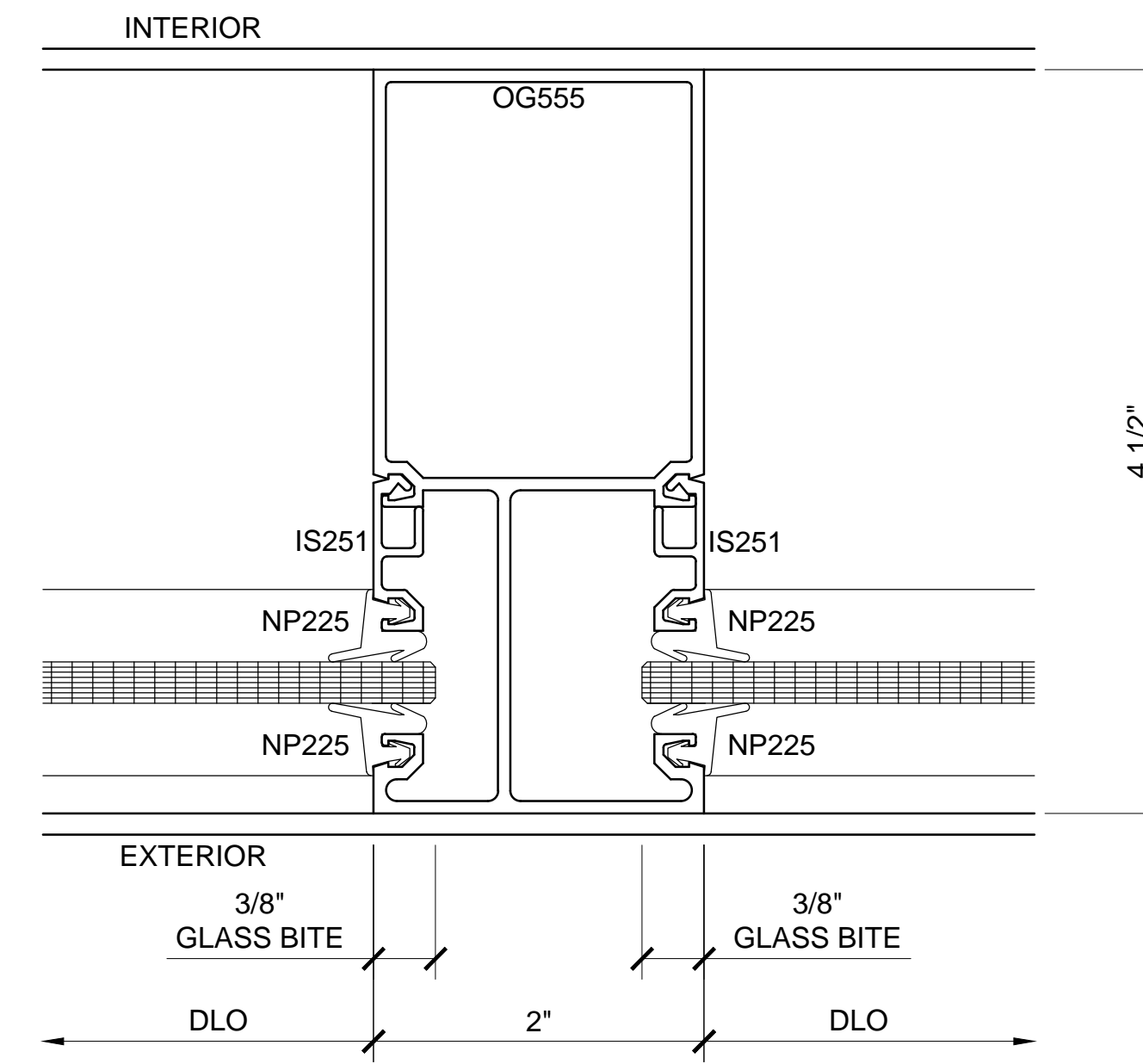
Sheet



30 SECTION DETAIL AT JAMB
 ARCH REF: N/A 1'-0"=1'-0"



2 SECTION DETAIL AT VERTICAL
 ARCH REF: N/A 1'-0"=1'-0"



3 SECTION DETAIL AT VERTICAL
 ARCH REF: N/A 1'-0"=1'-0"

Revisions By:



Description:
 CRL US ALUMINUM
 SERIES OS451 & OS451SG
 WINDOW WALLS
 FOR 1" & 1/4" GLASS

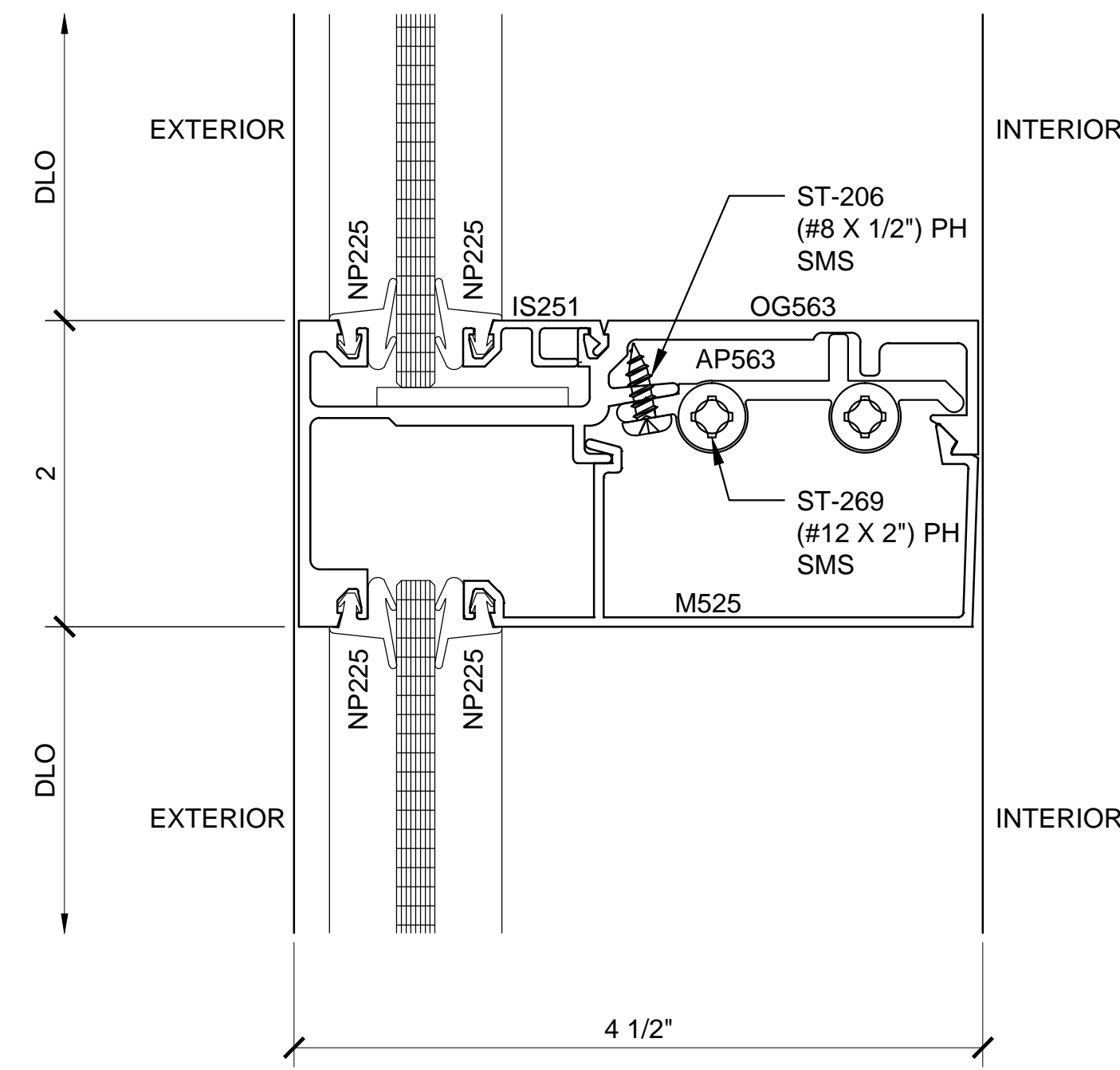
Drawn By: TMG
 Date: 04/15/15
 Scale: AS NOTED
 File Name:
 OS451/OS451SG.dwg

Sheet

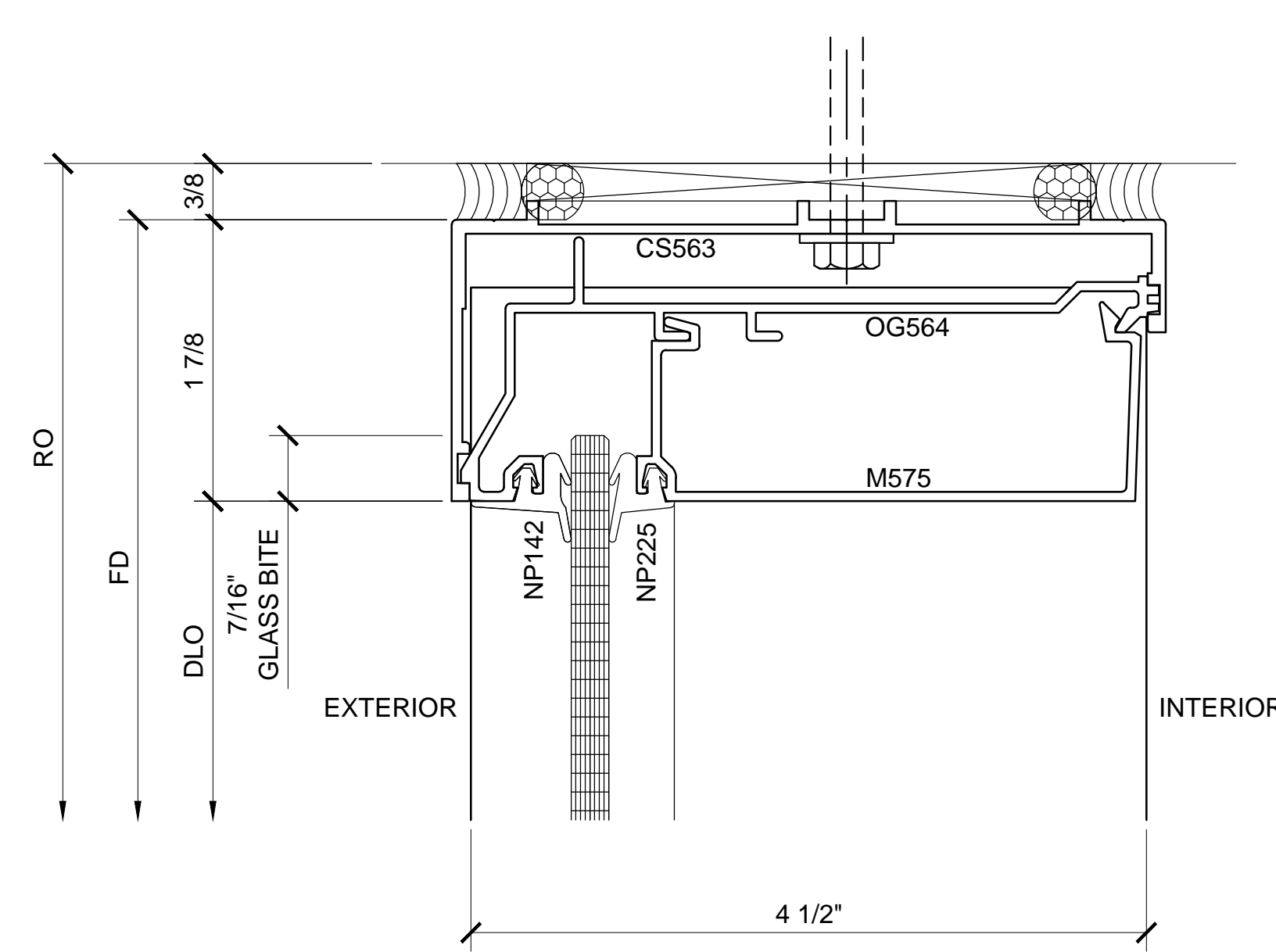
6.01



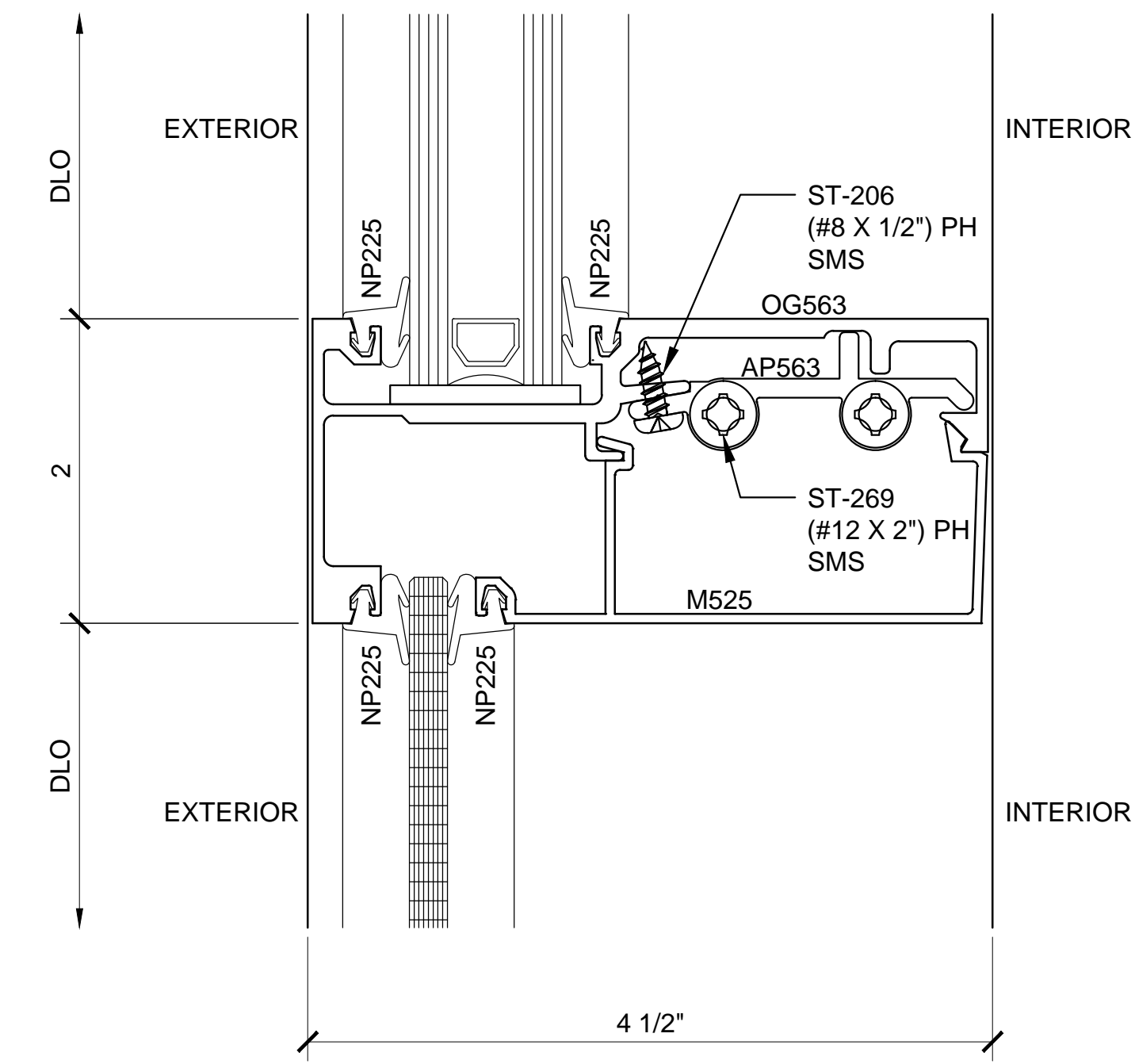
C.R. LAURENCE CO. ARCHITECTURAL PRODUCTS
2503 E. Vermont Avenue, Los Angeles, CA 90058-1897
PH (800) 421-6144 FX (800) 587-7301 www.crlaurence.com



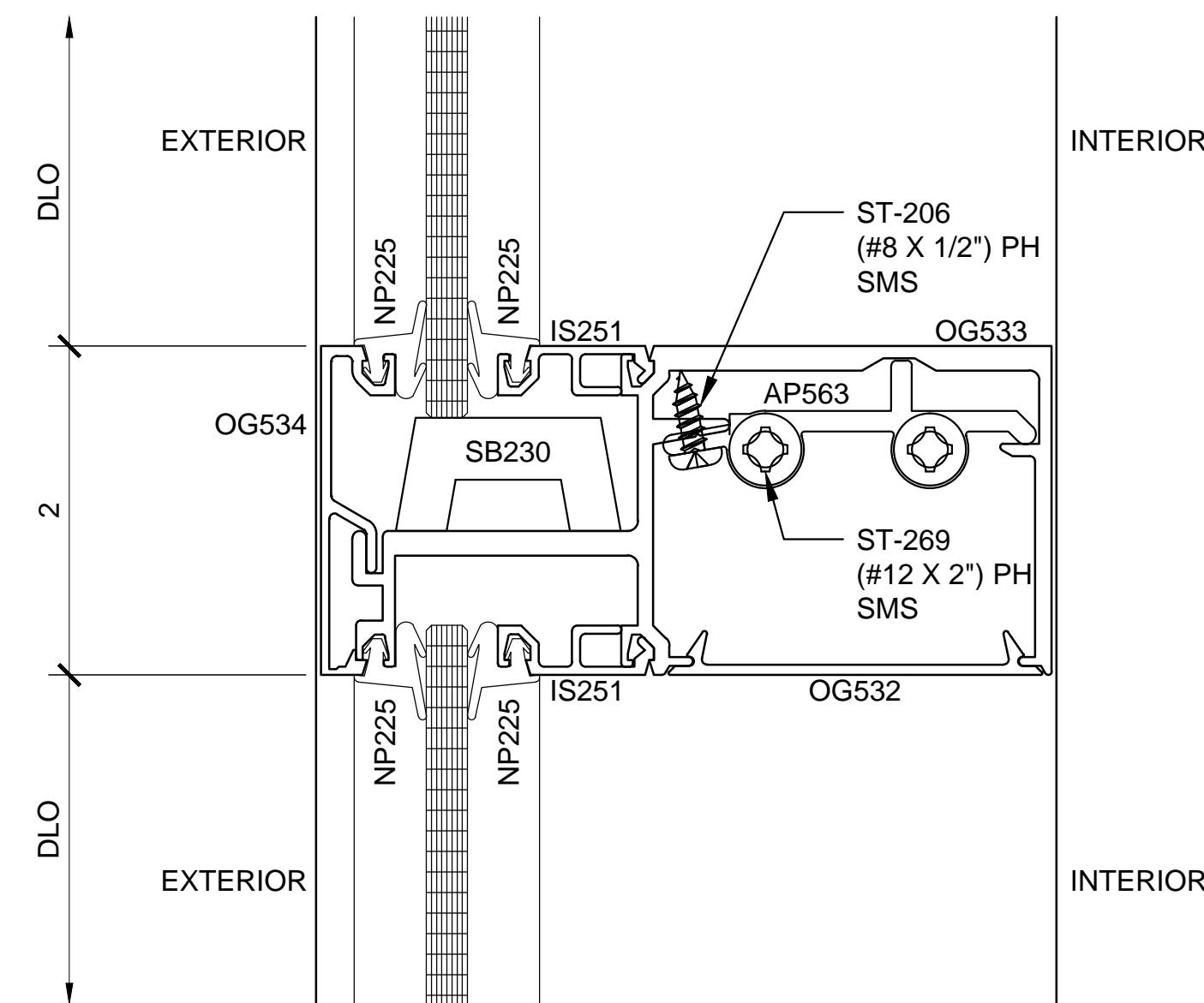
④ SECTION DETAIL AT HORIZONTAL
ARCH REF: N/A INTERIOR GLAZING 1'-0"=1'-0"



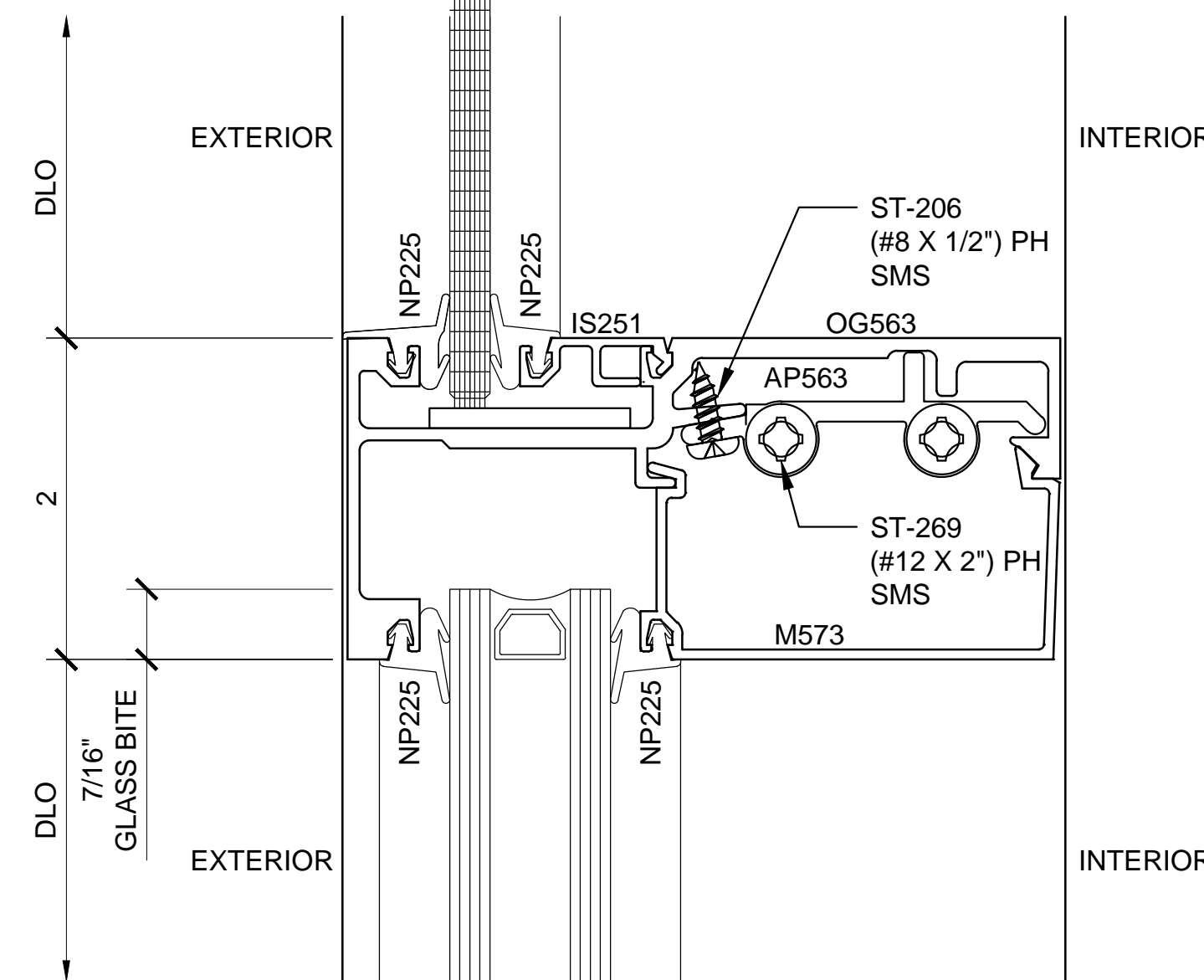
⑥ SECTION DETAIL AT HEAD
ARCH REF: N/A INTERIOR GLAZING 1'-0"=1'-0"



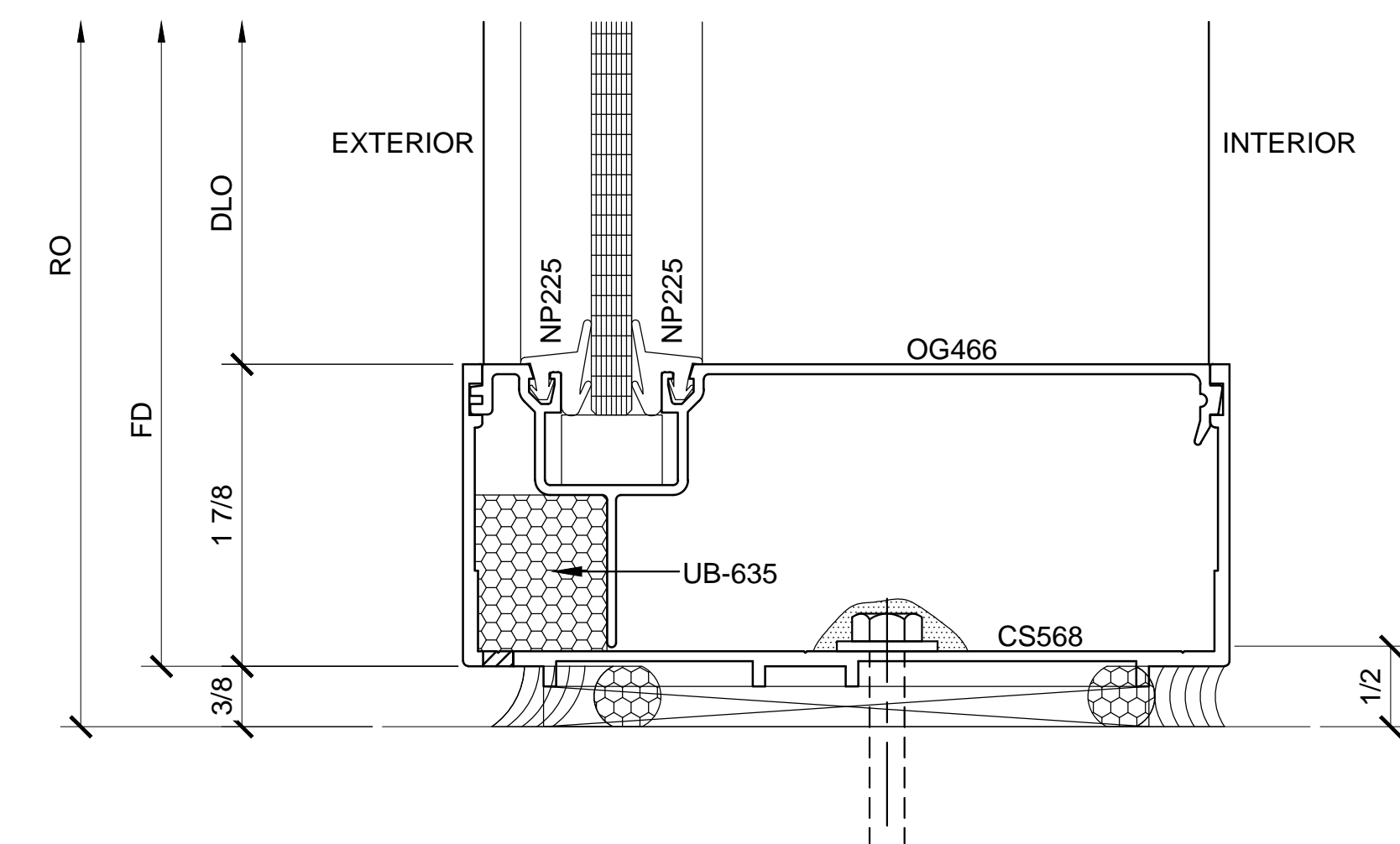
⑧ SECTION DETAIL AT HORIZONTAL
ARCH REF: N/A INTERIOR GLAZING 1'-0"=1'-0"



⑤ SECTION DETAIL AT HORIZONTAL
ARCH REF: N/A EXTERIOR GLAZING 1'-0"=1'-0"



⑦ SECTION DETAIL AT HORIZONTAL
ARCH REF: N/A INTERIOR GLAZING 1'-0"=1'-0"

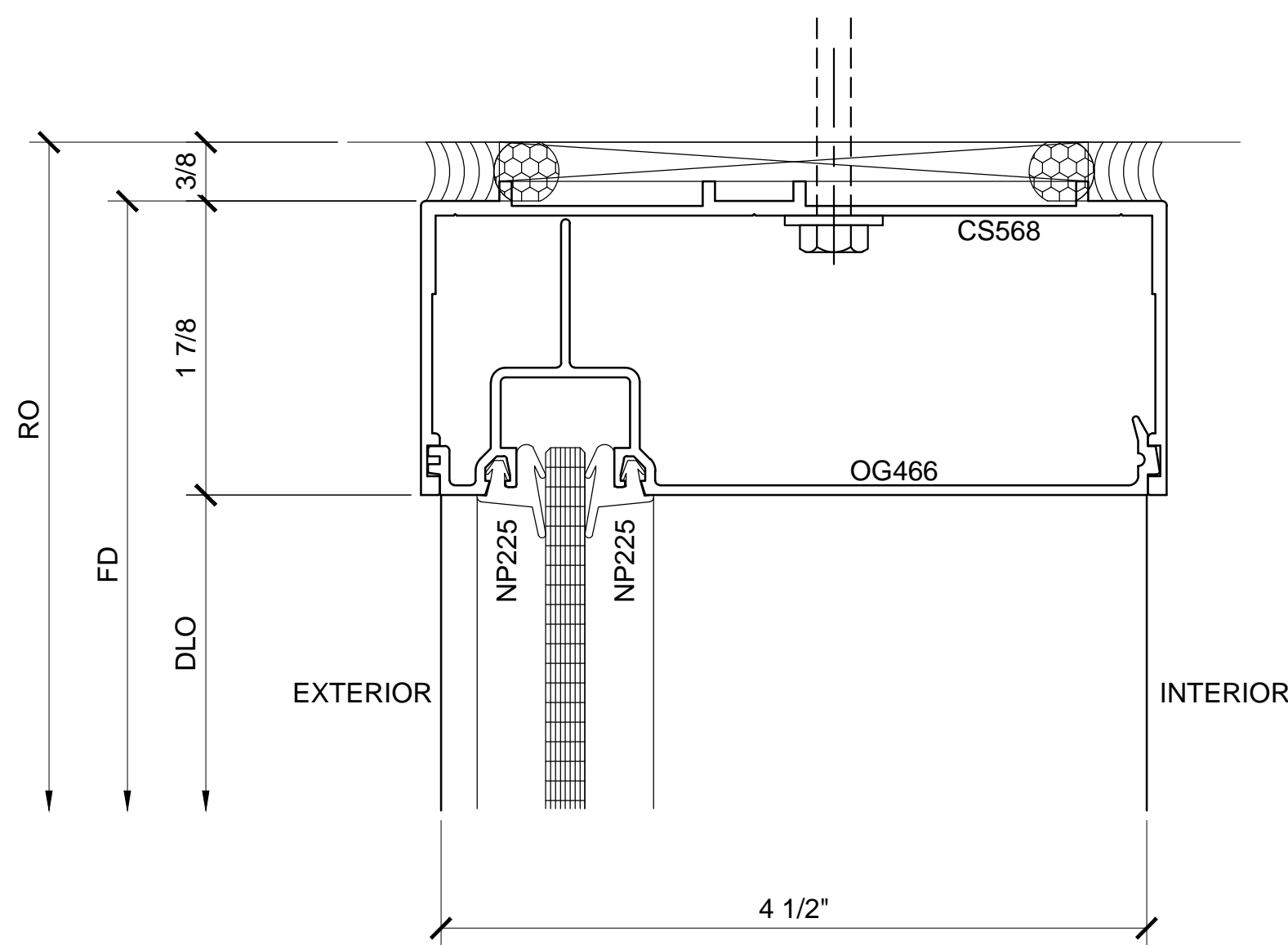


⑨ SECTION DETAIL AT SILL
ARCH REF: N/A INTERIOR GLAZING 1'-0"=1'-0"

Description:
CRL US ALUMINUM
SERIES OS451 & OS451SG
WINDOW WALLS
FOR 1" & 1/4" GLASS

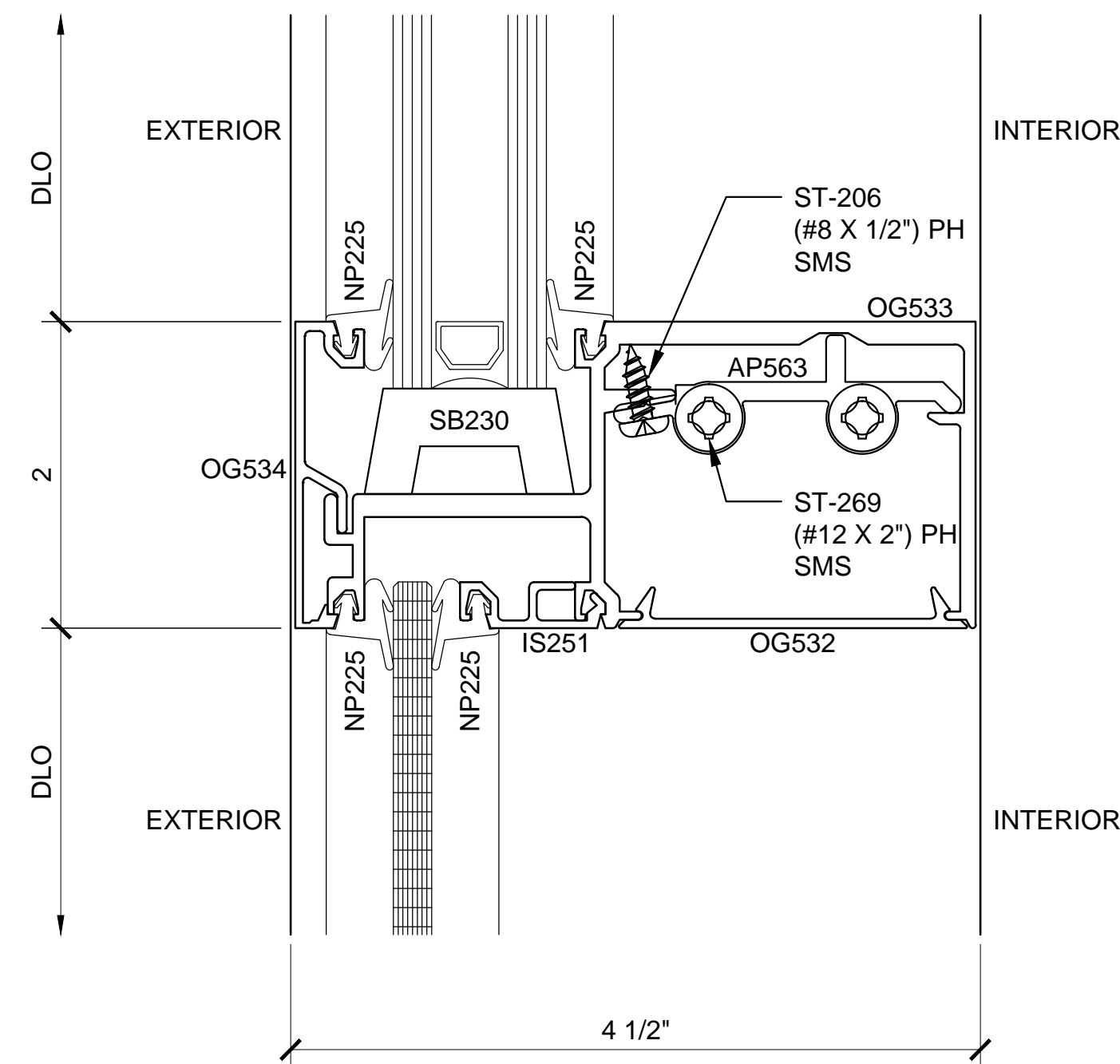
Drawn By: TMG
Date: 04/15/15
Scale: AS NOTED
File Name:
OS451/OS451SG.dwg

Sheet



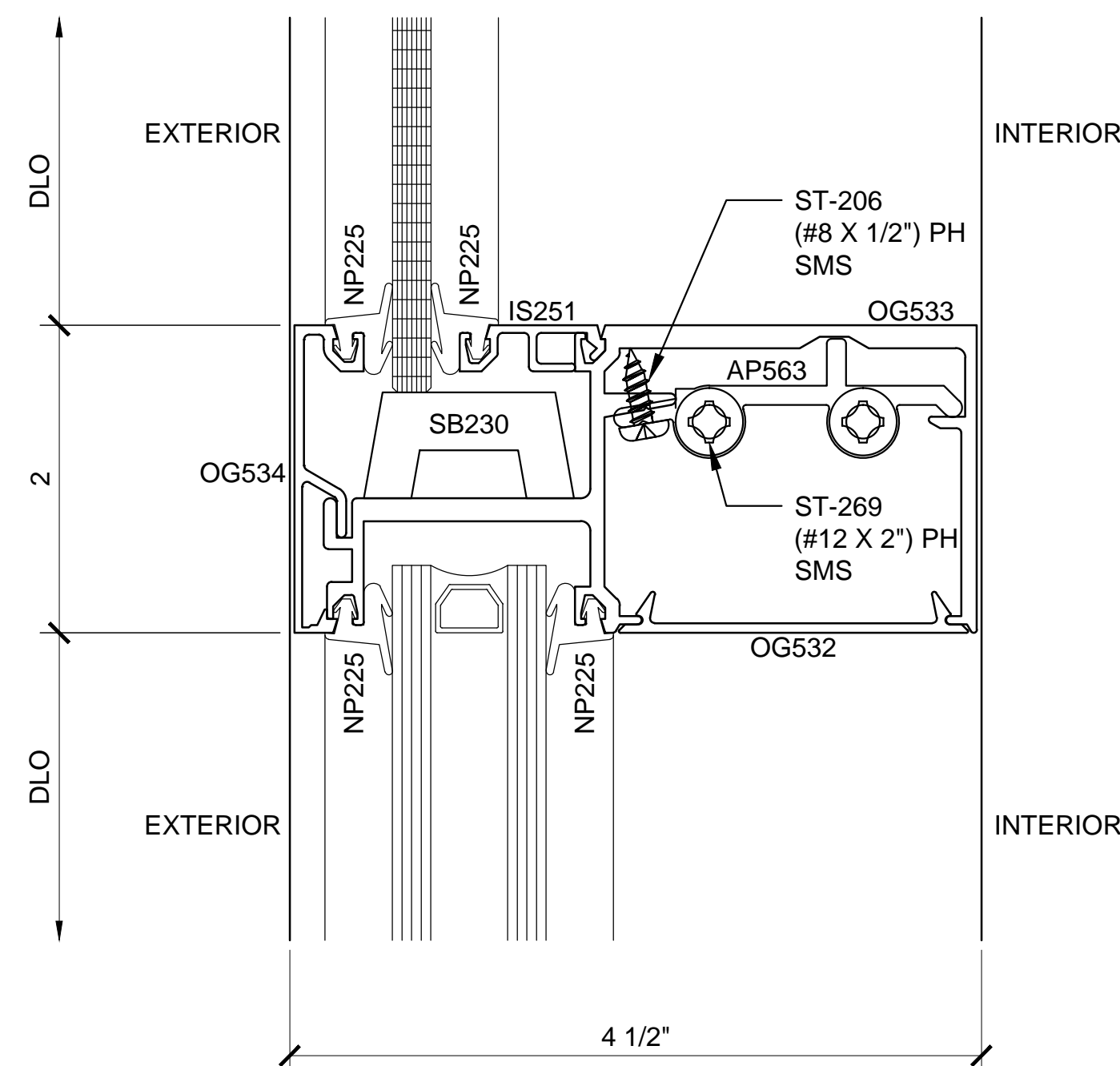
10 SECTION DETAIL AT HEAD

ARCH REF: N/A 1'-0"=1'-0"



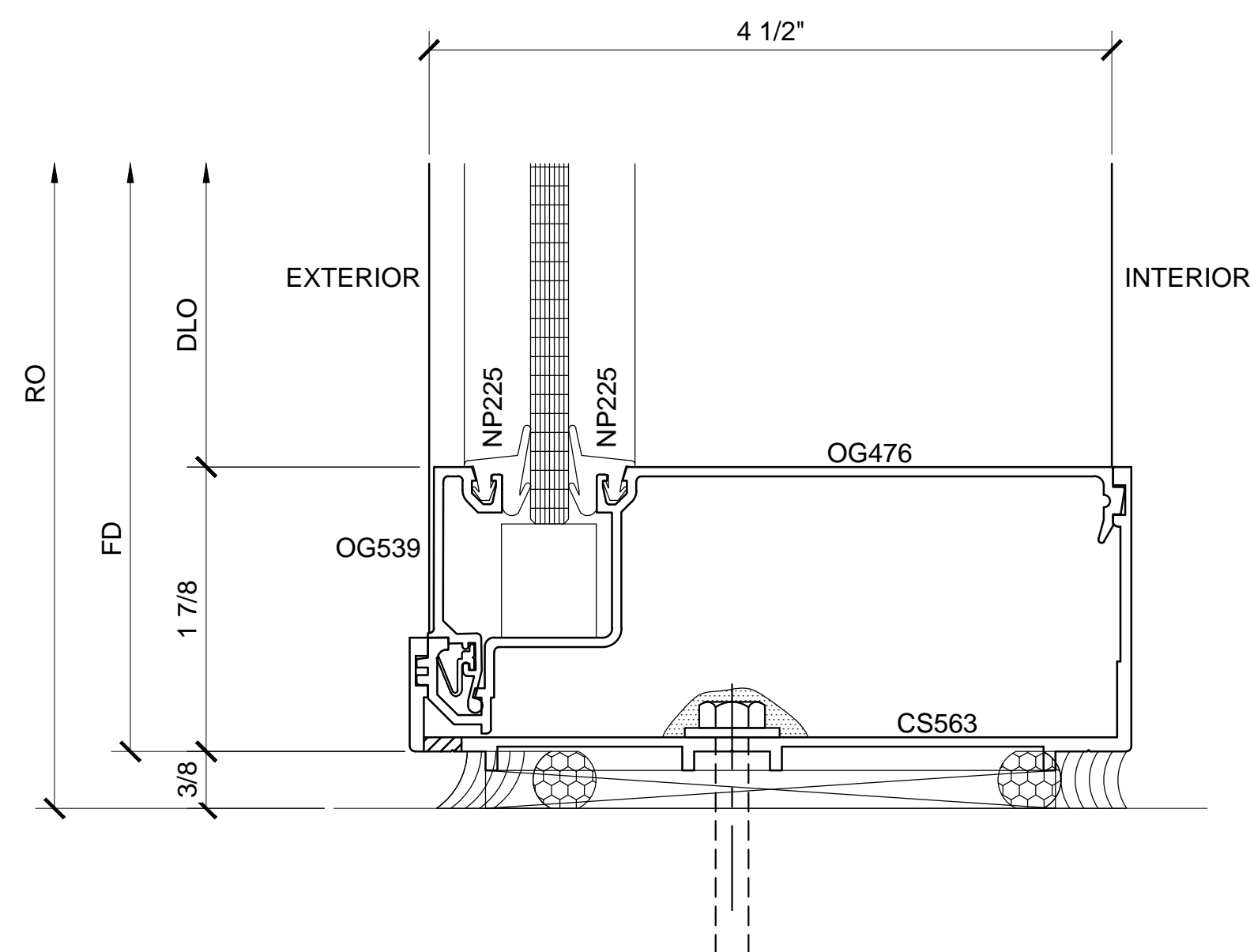
12 SECTION DETAIL AT INTERMEDIATE HORIZONTAL EXTERIOR GLAZING

ARCH REF: N/A 1'-0"=1'-0"



11 SECTION DETAIL AT INTERMEDIATE HORIZONTAL EXTERIOR GLAZING

ARCH REF: N/A 1'-0"=1'-0"



13 SECTION DETAIL AT SILL EXTERIOR GLAZING

ARCH REF: N/A 1'-0"=1'-0"

Revisions By:

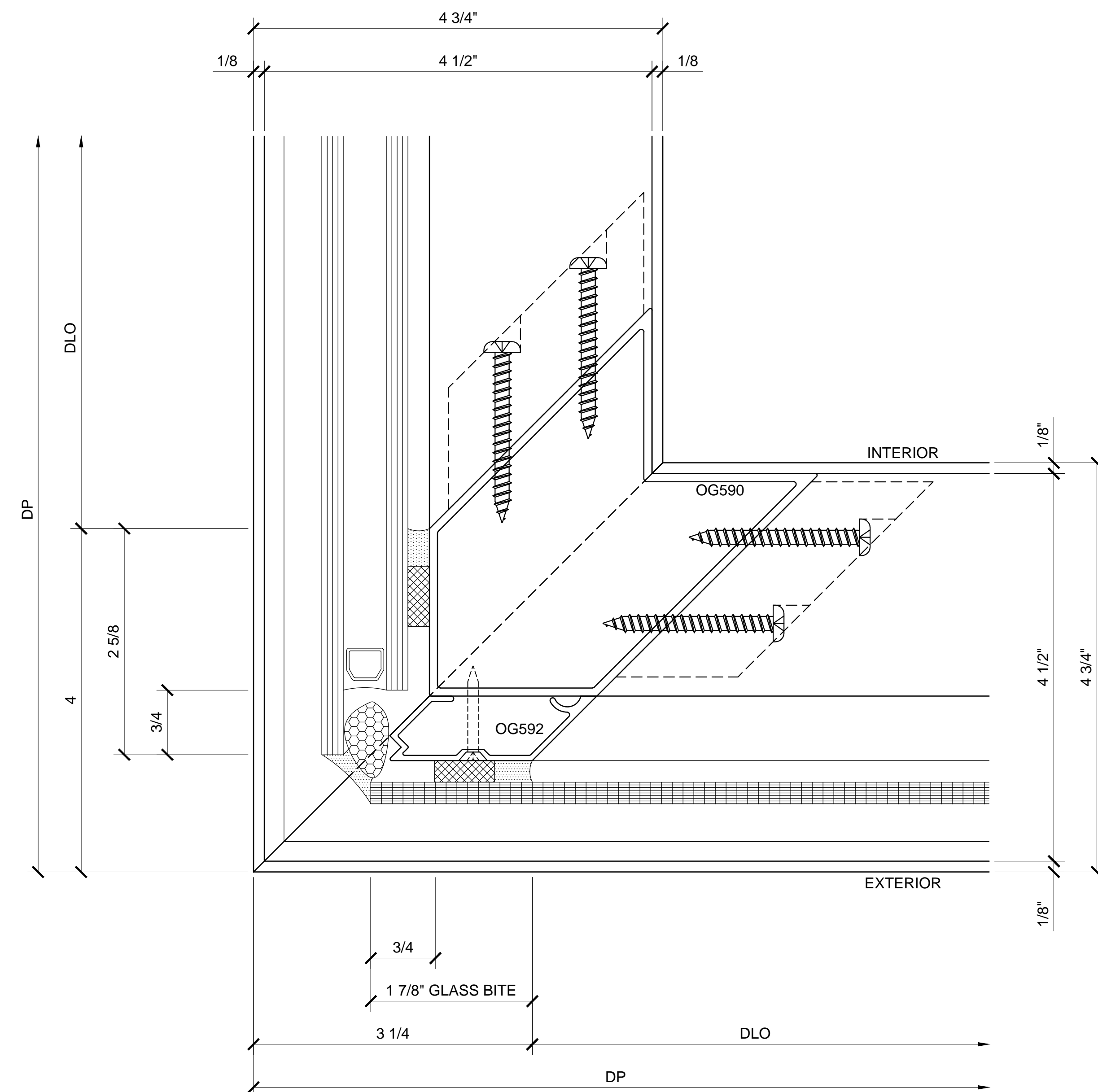


Description:
CRL US ALUMINUM
SERIES OS451 & OS451SG
WINDOW WALLS
FOR 1" & 1/4" GLASS

Drawn By: TMG
Date: 04/15/15
Scale: AS NOTED
File Name:
OS451/OS451SG.dwg

Sheet

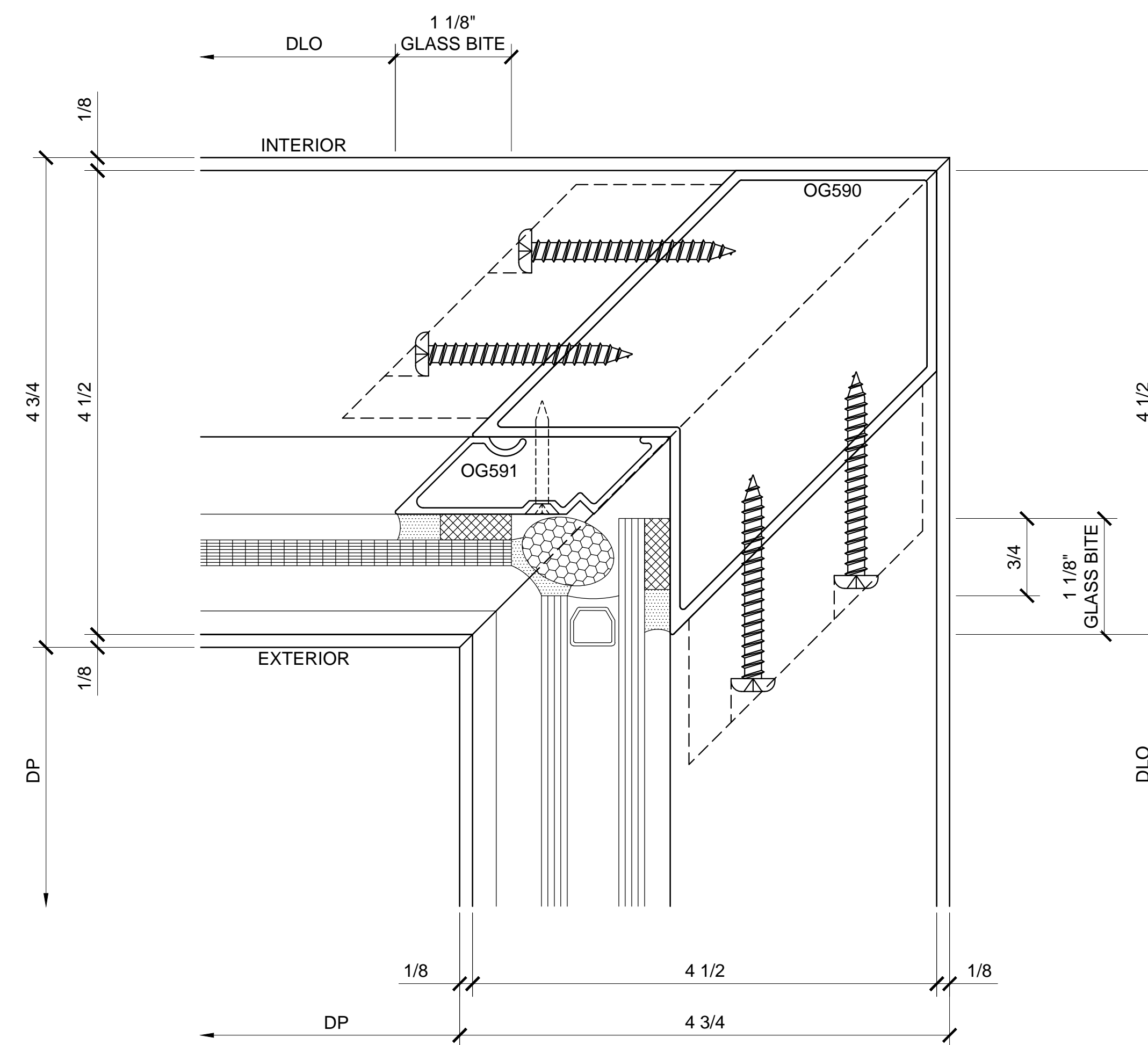
NOTE: SEE SHEET 5.03 FOR GLASS BITE AND DLO DIMENSIONS



SECTION DETAIL AT
 14 90 DEGREES CORNER VERTICAL

ARCH REF: N/A

1'-0"=1'-0"



SECTION DETAIL AT
 15 90 DEGREES CORNER VERTICAL

ARCH REF: N/A

1'-0"=1'-0"



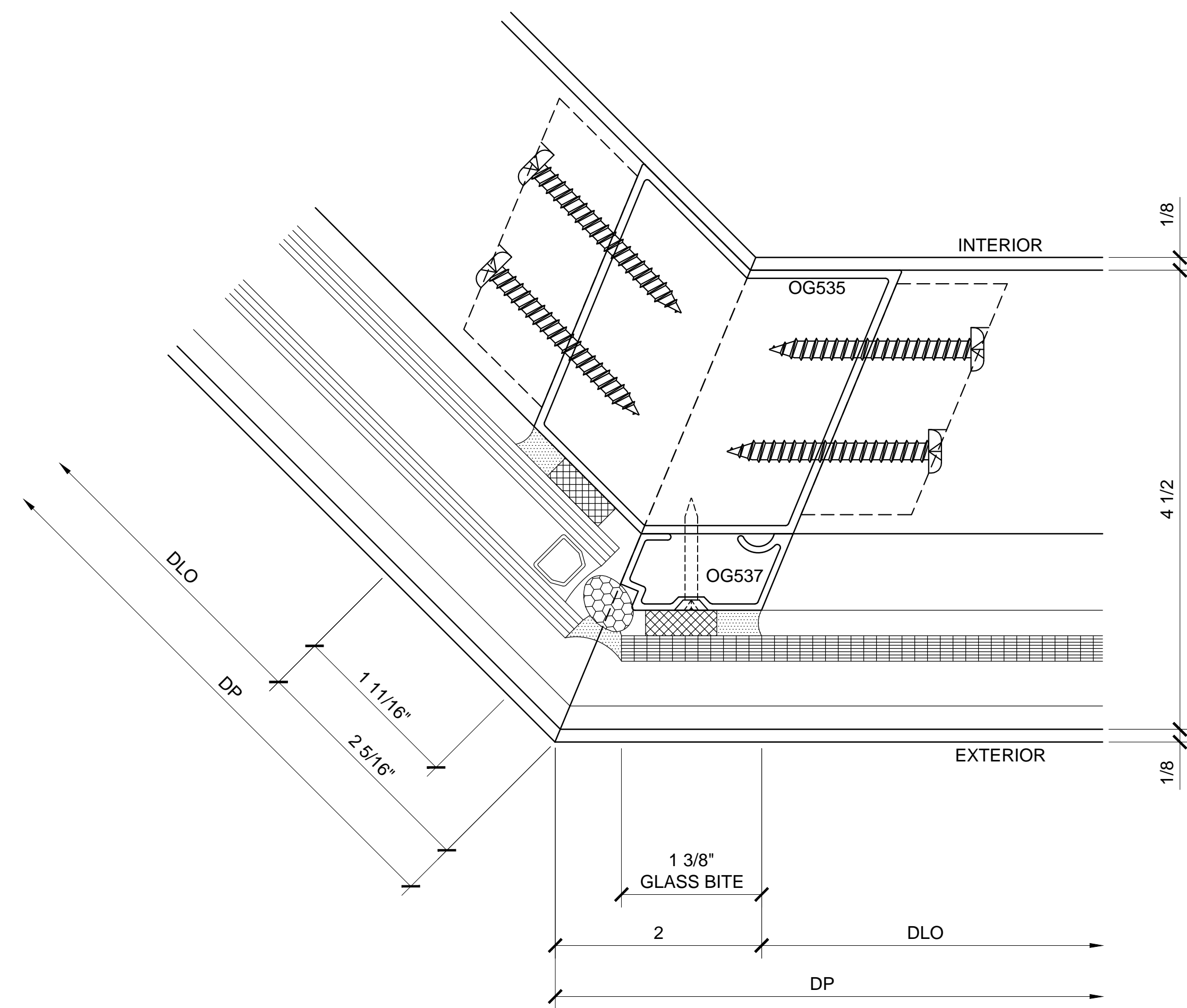
C.R. LAURENCE CO. ARCHITECTURAL PRODUCTS
 2503 E. Vernon Avenue, Los Angeles, CA 90058-1897
 PH (800)-421-6144 FX: 800-587-7301 www.crlaurence.com

Description:
 CRL US ALUMINUM
 SERIES OS451 & OS451SG
 WINDOW WALLS
 FOR 1" & 1/4" GLASS

Drawn By: TMG
 Date: 04/15/15
 Scale: AS NOTED
 File Name:
 OS451/OS451SG.dwg

Sheet

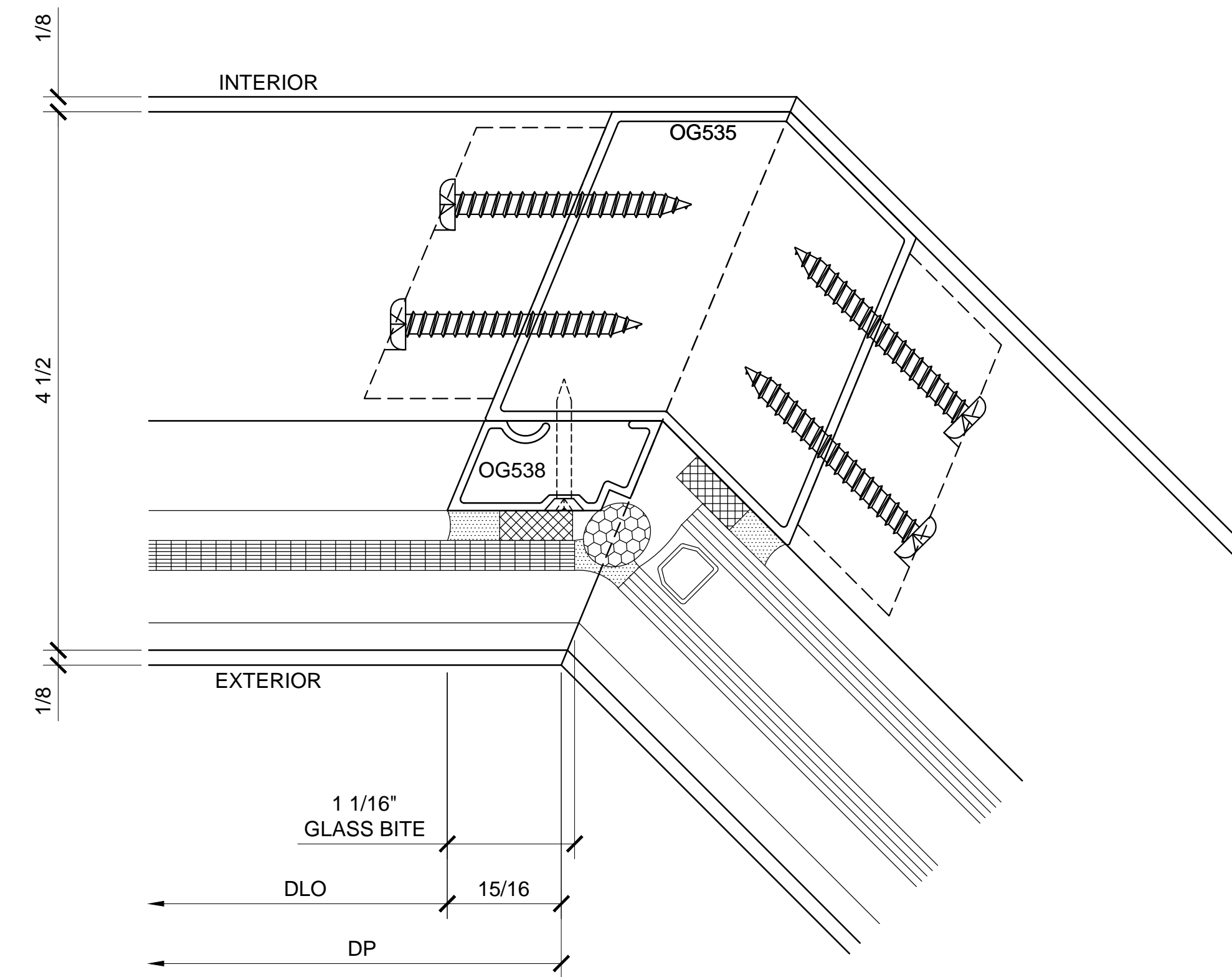
Revisions By:



SECTION DETAIL AT
16 135 DEGREES CORNER VERTICAL

ARCH REF: N/A

1'-0"=1'-0"



SECTION DETAIL AT
17 135 DEGREES CORNER VERTICAL

ARCH REF: N/A

1'-0"=1'-0"

OS-2 OFFSET SYSTEM - OS451SG SERIES STRUCTURAL SILICONE GLAZING / TRANSITION GLAZING CORNER DETAILS

Description:

CRL US ALUMINUM
SERIES OS451 & OS451SG
WINDOW WALLS
FOR 1" & 1/4" GLASS

Drawn By: TMG

Date: 04/15/15

Scale: AS NOTED

File Name:

OS451/OS451SG.dwg

Sheet

6.05