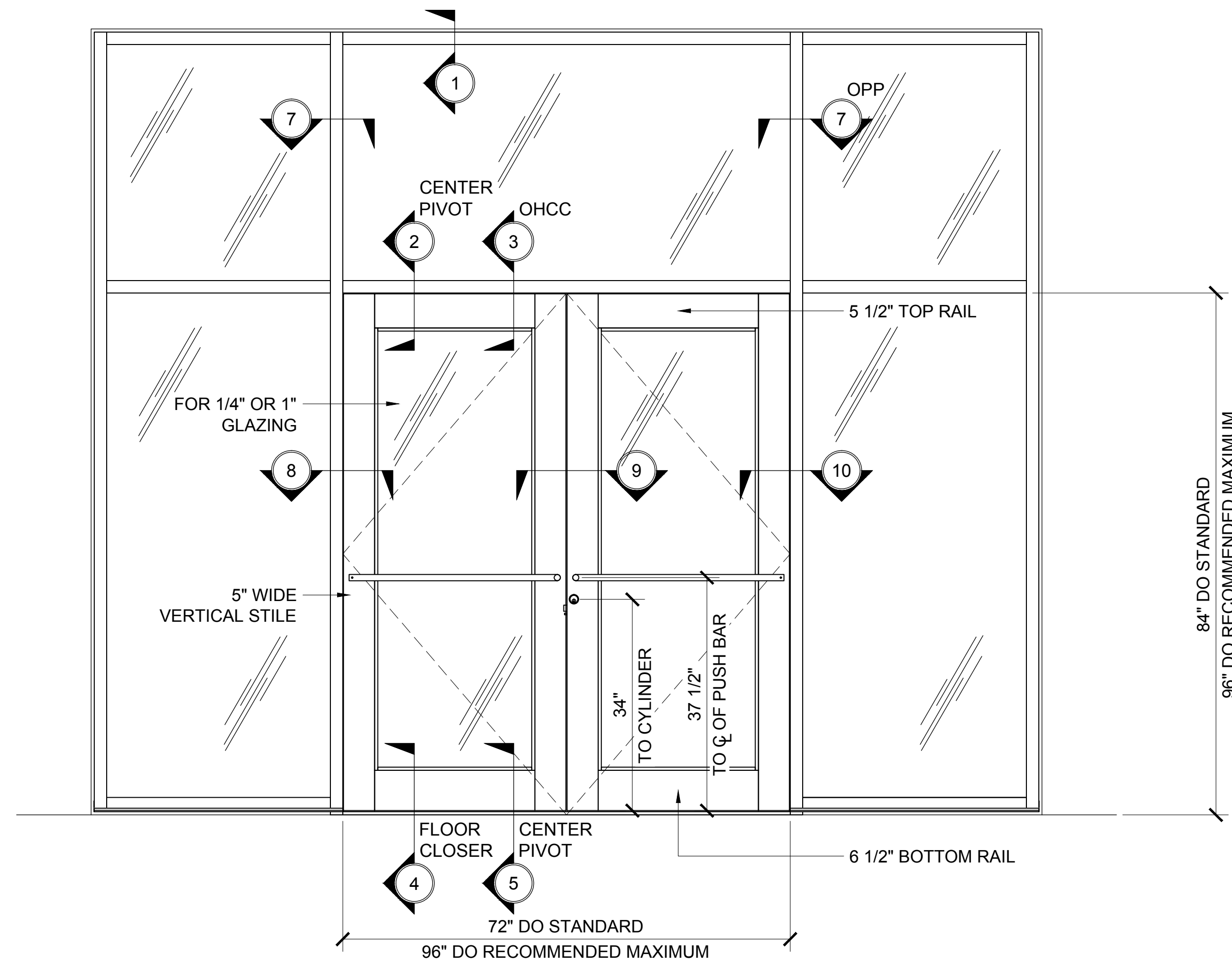


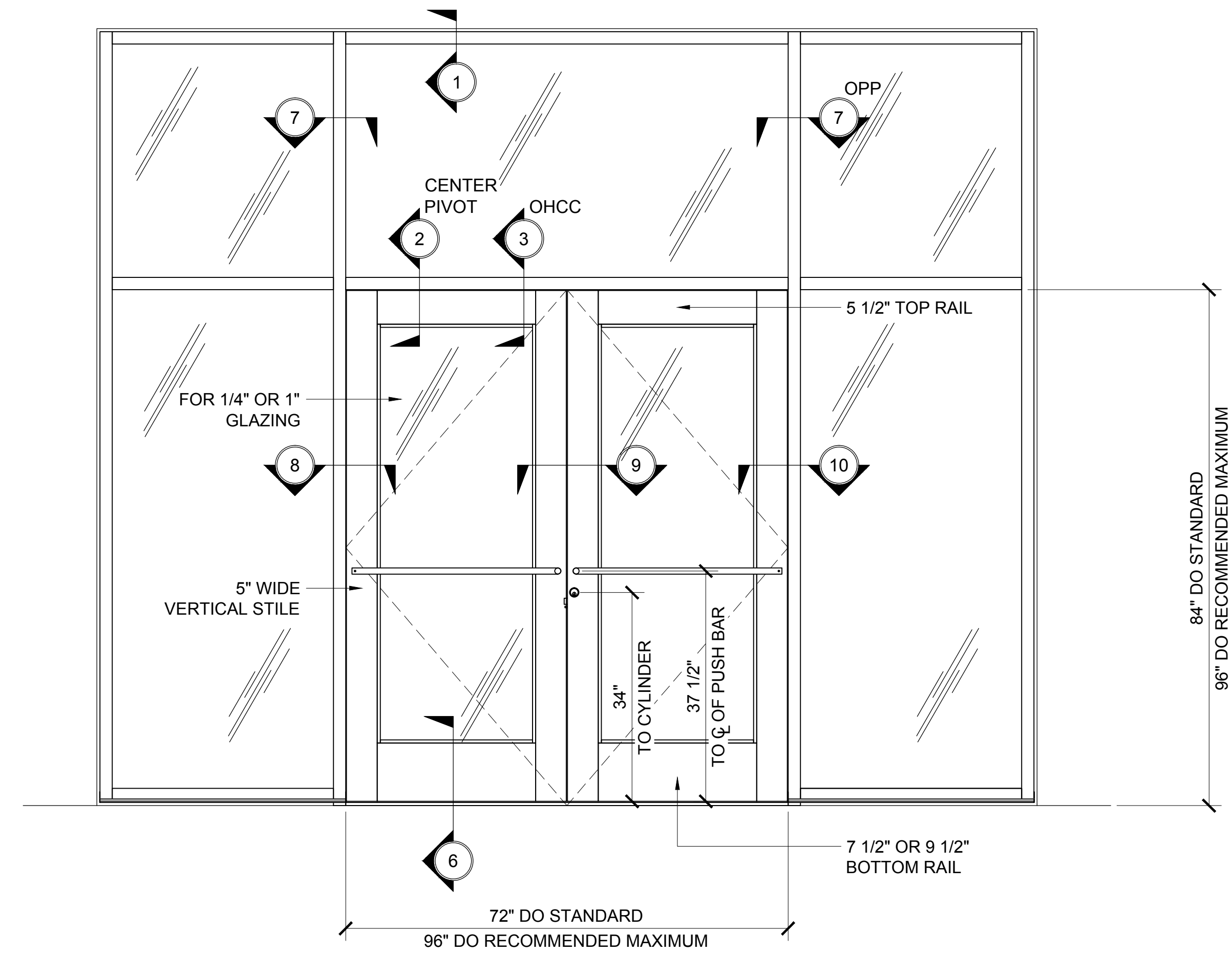


U.S. ALUMINUM DURA FRONT WIDE STILE SERIES 850 DOOR SYSTEM

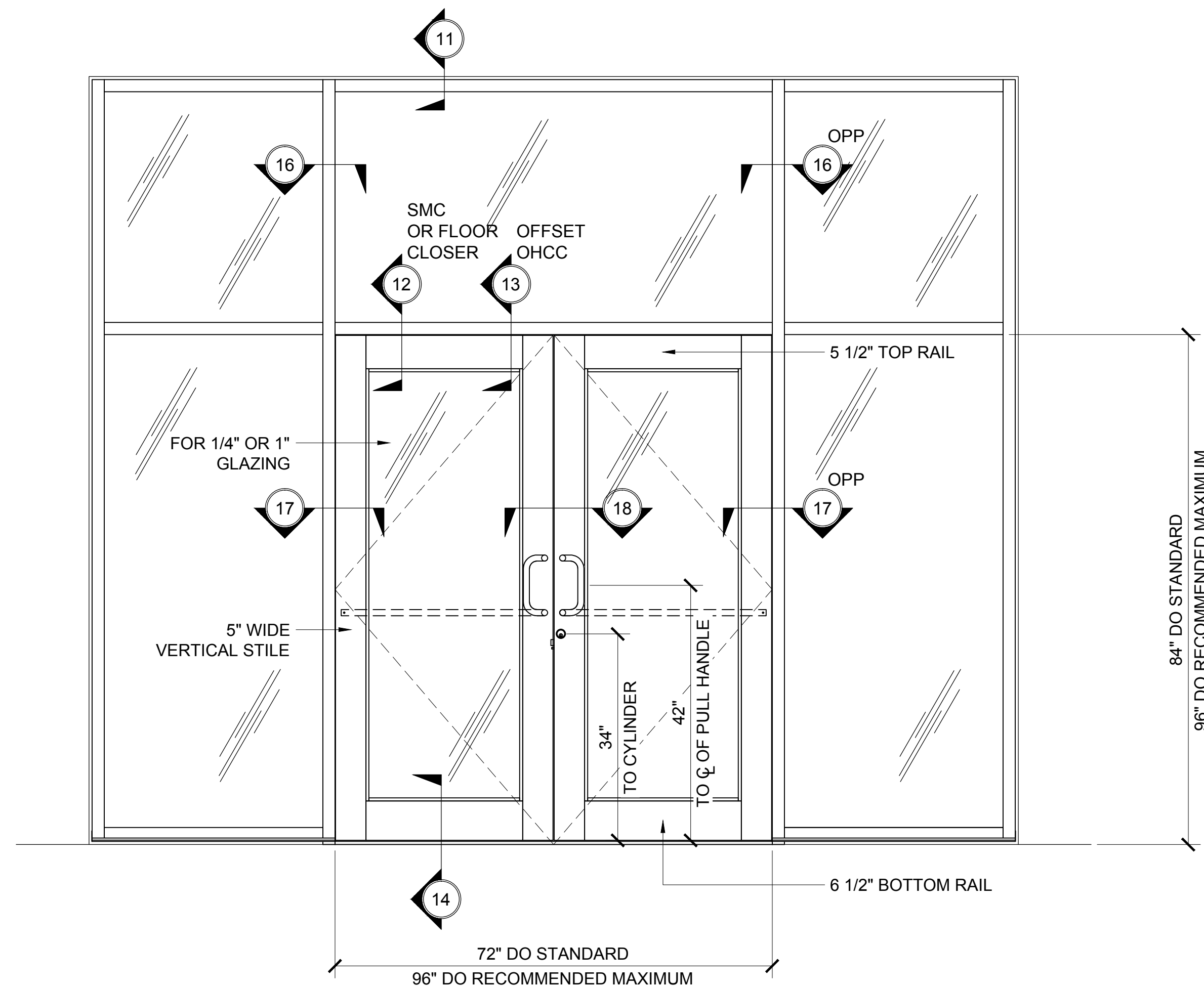
Revisions By:



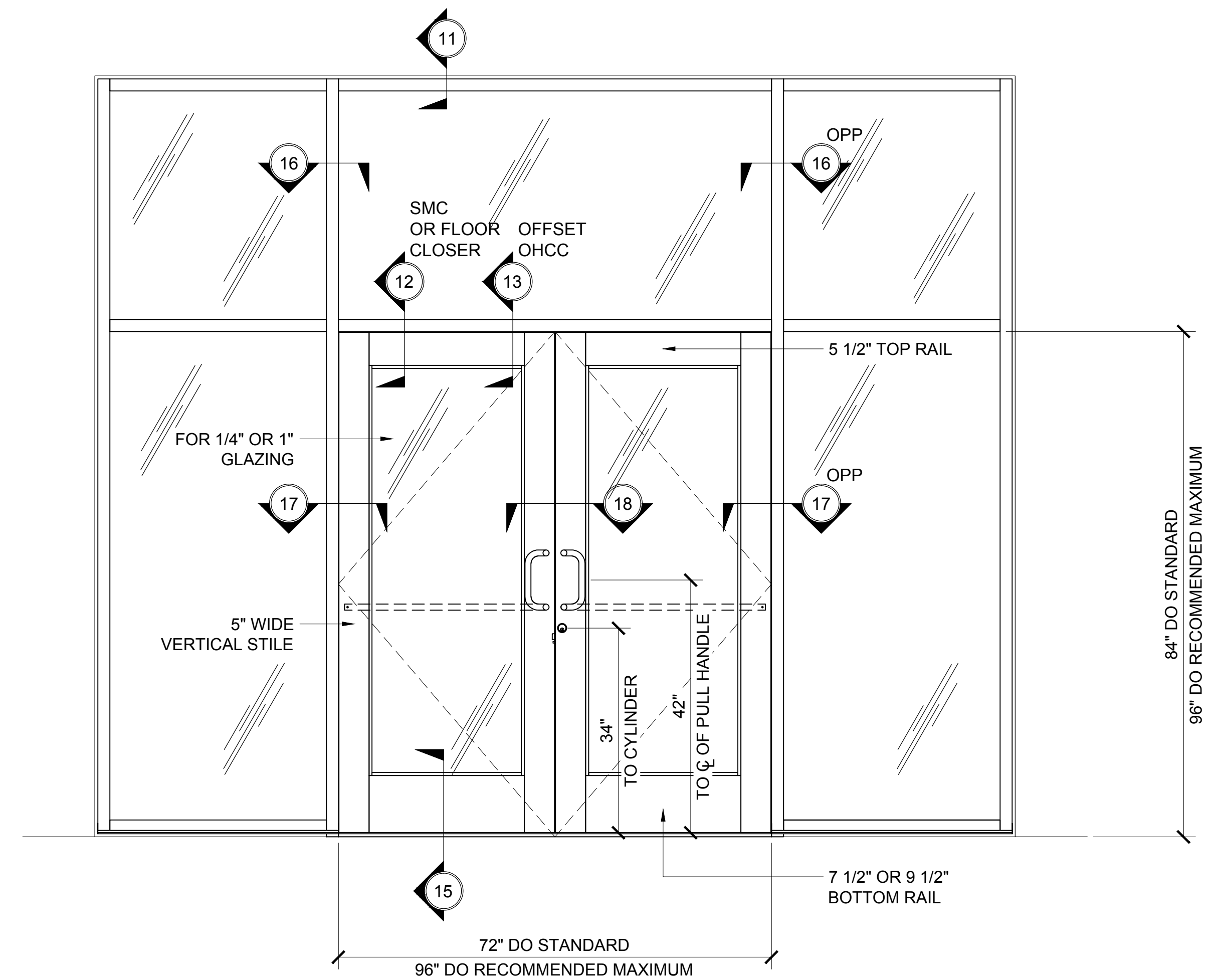
CENTER-HUNG WIDE STILE SERIES 850 DOOR TYPICAL ELEVATION



CENTER-HUNG WIDE STILE SERIES 850 DOOR ADA COMPLIANT ELEVATION

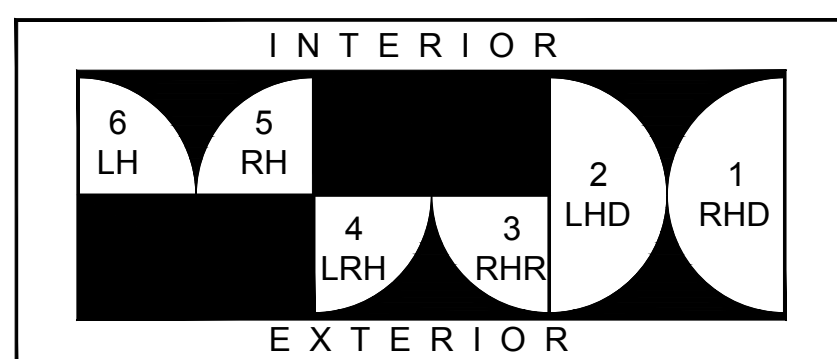


OFFSET-HUNG WIDE STILE SERIES 850 DOOR TYPICAL ELEVATION



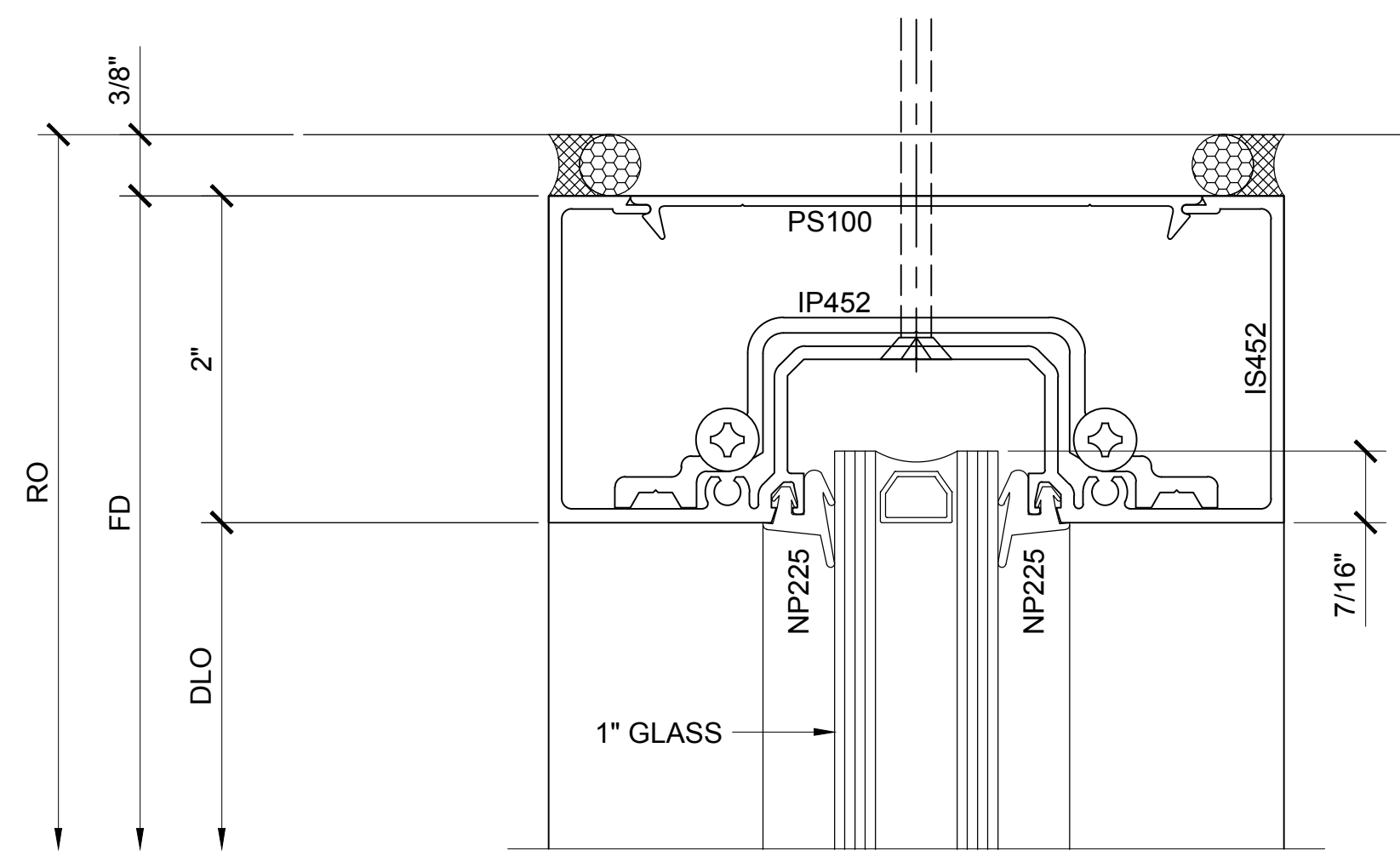
OFFSET-HUNG WIDE STILE SERIES 850 DOOR ADA COMPLIANT ELEVATION

DOOR SWING CHART

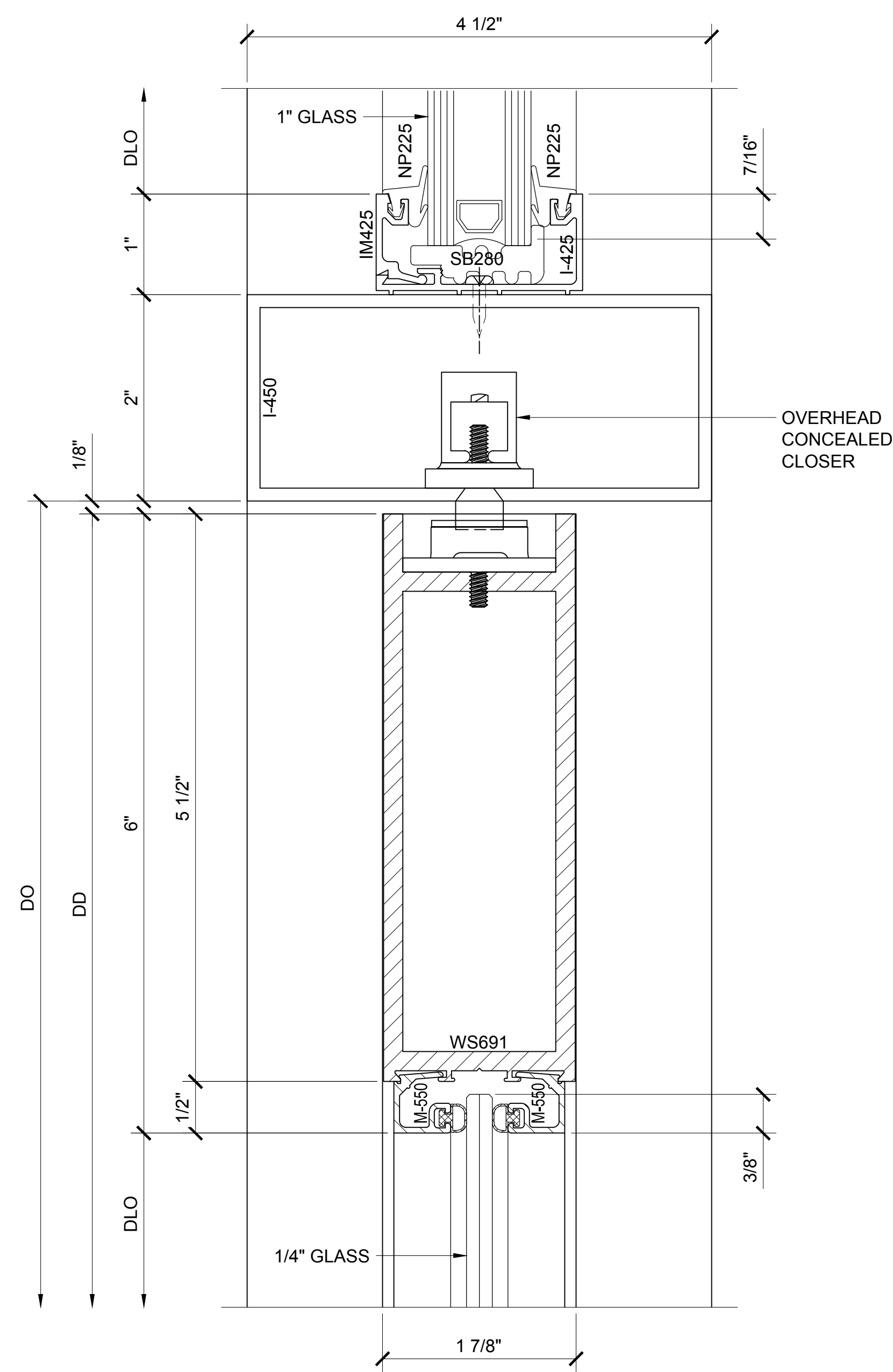


Description:
**U.S. ALUMINUM DURA FRONT
WIDE STILE SERIES 850
DOOR SYSTEM**

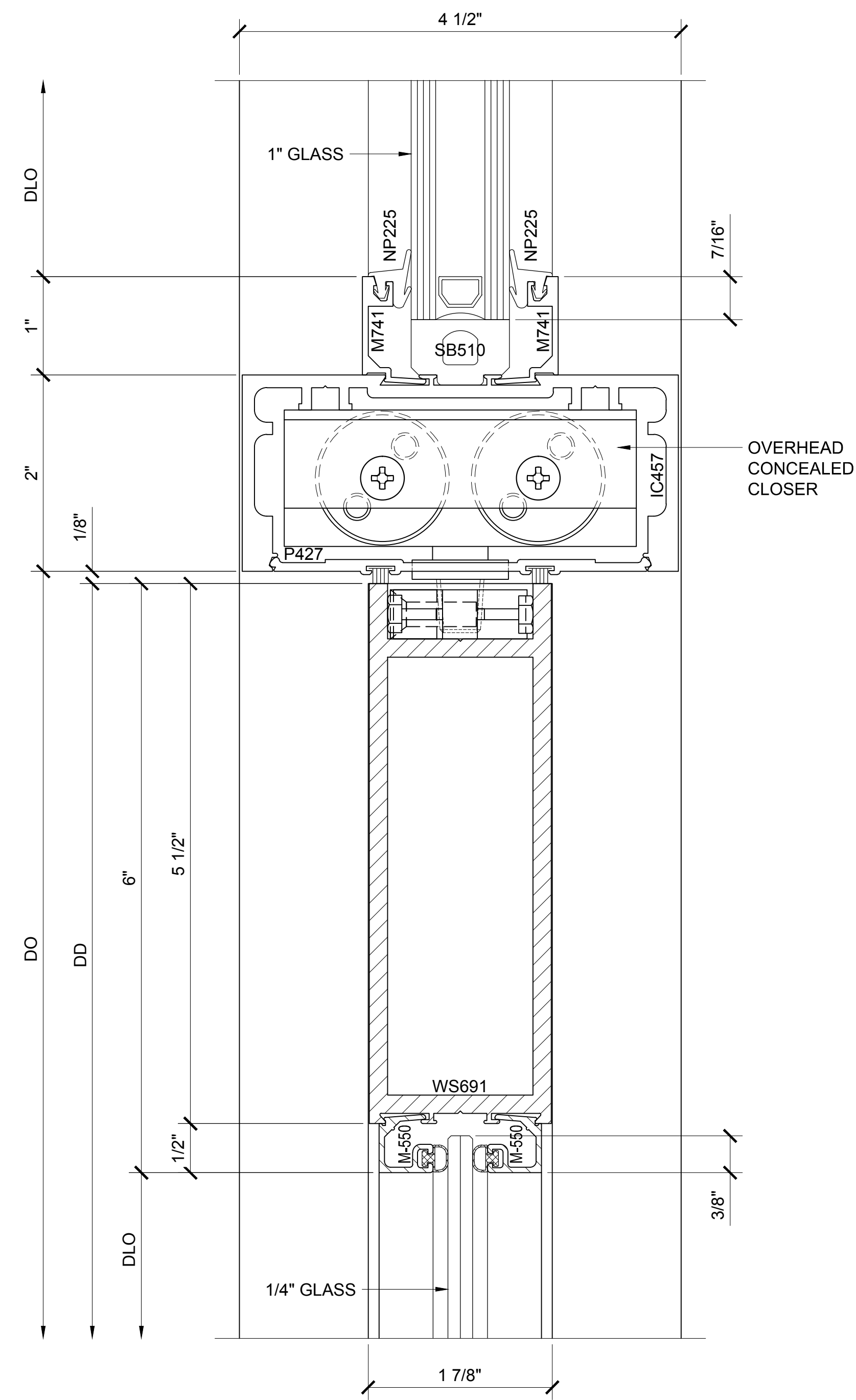
Drawn By: AAD
Date: 9/27/12
Scale: AS NOTED
File Name: 850 WS DRS.dwg
Sheet



SECTION DETAIL @ STOREFRONT HEAD (1)



SECTION DETAIL @ DOOR HEAD WITH PIVOT (2)



SECTION DETAIL @ DOOR HEAD WITH OHCC (3)

WIDE STILE CENTER HUNG SERIES 850 DOOR DETAILS (SHOWN WITH OPTIONAL SERIES 451 STOREFRONT SYSTEM)

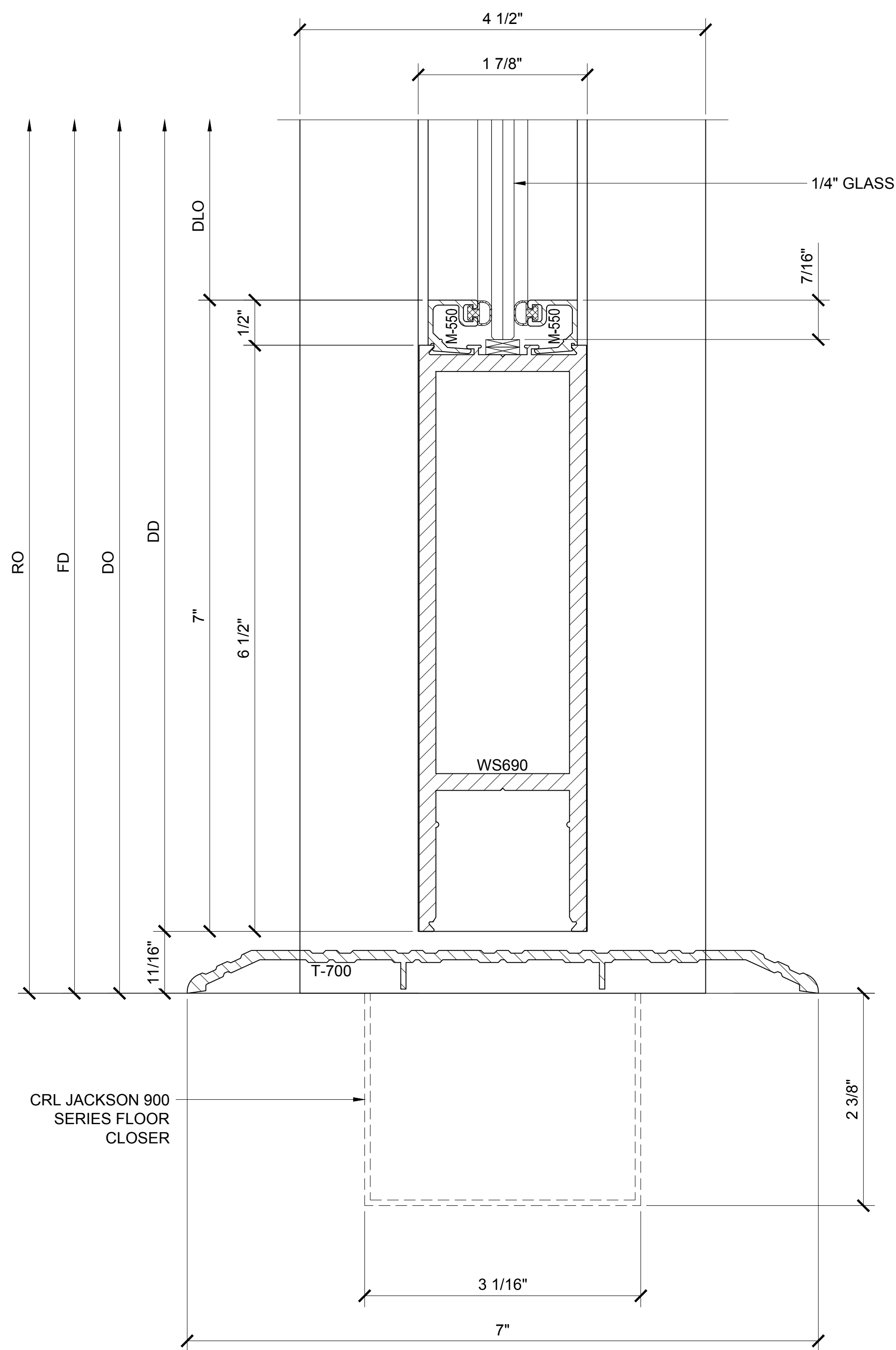
Revisions By:



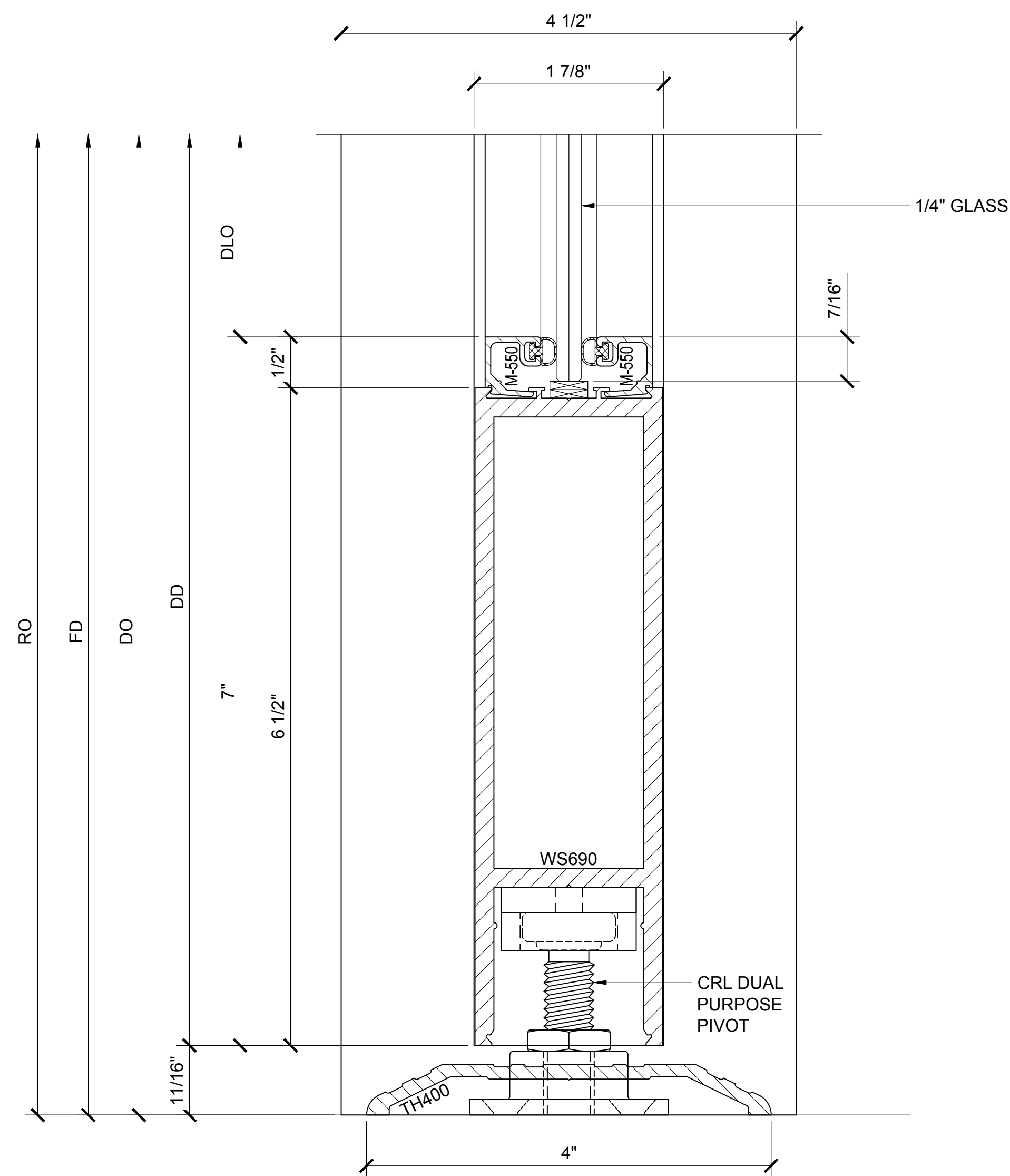
Description:
U.S. ALUMINUM DURAFRONT
WIDE STILE SERIES 850
DOOR SYSTEM

Drawn By: AAD
Date: 9/27/12
Scale: AS NOTED
File Name: 850 WS DRS.dwg

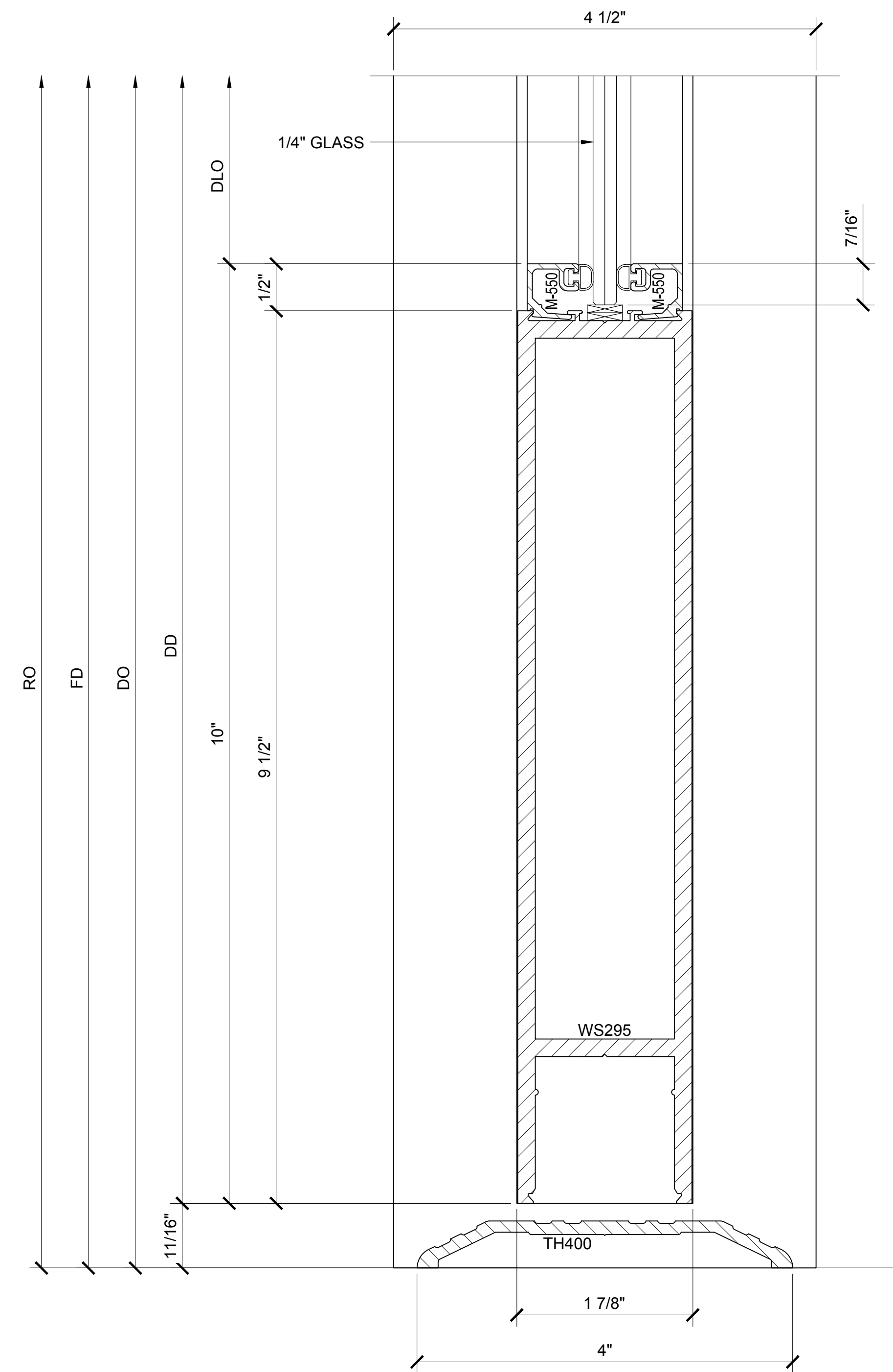
Sheet



SECTION DETAIL @ DOOR SILL (4)



SECTION DETAIL @ DOOR SILL (5)



SECTION DETAIL @ ADA DOOR SILL (6)

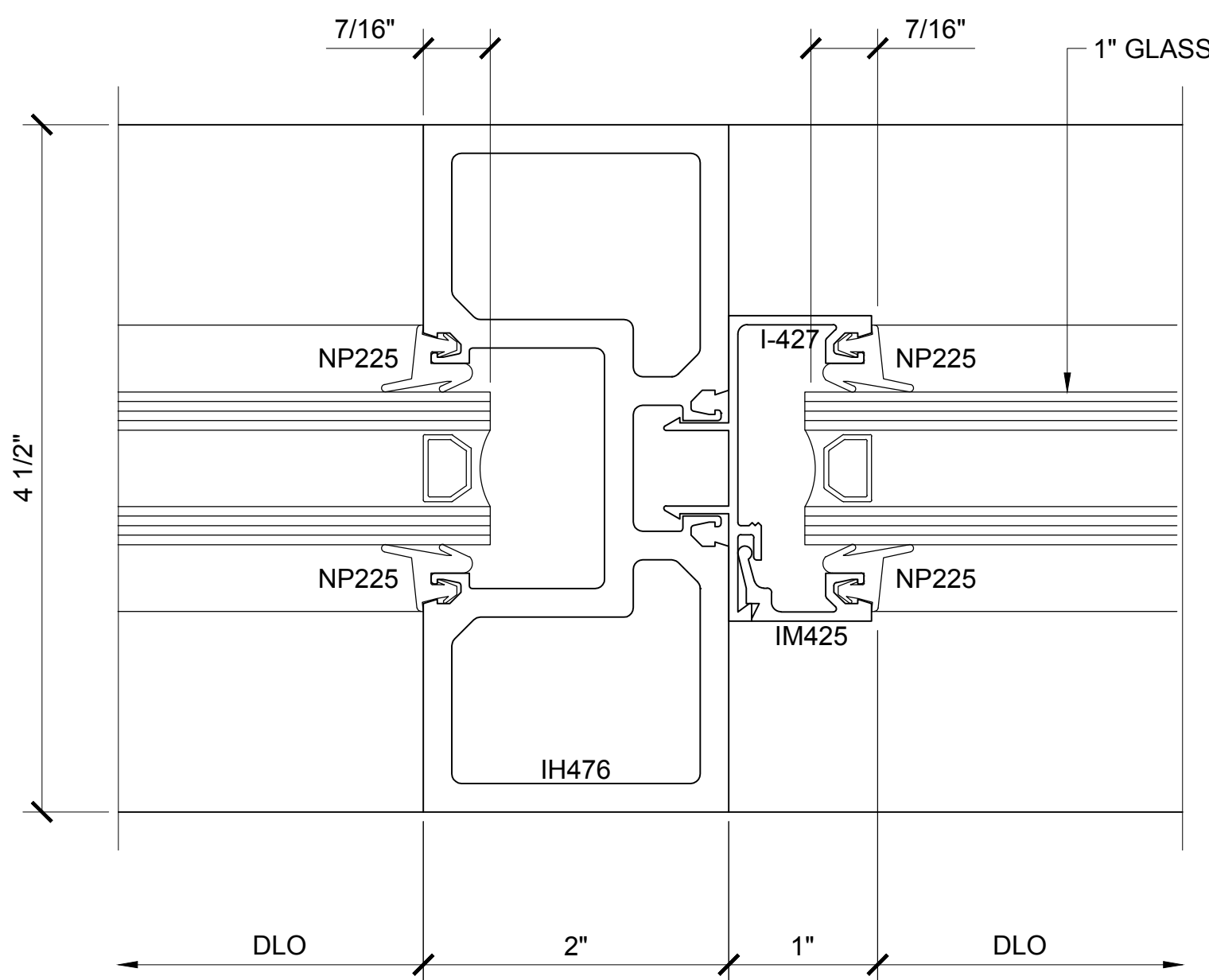
WIDE STILE CENTER HUNG SERIES 850 DOOR DETAILS (SHOWN WITH OPTIONAL SERIES 451 STOREFRONT SYSTEM)

Revisions By:



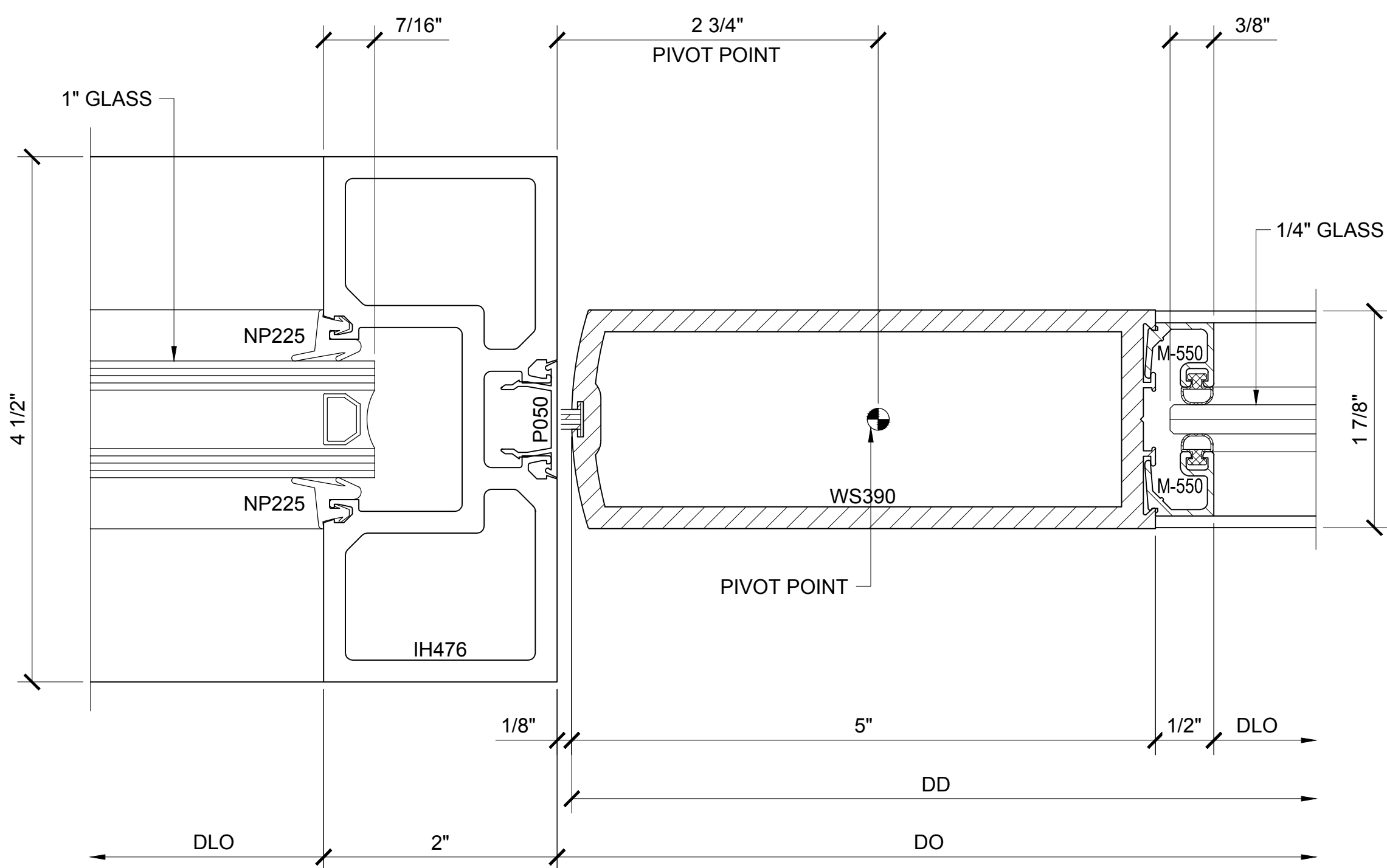
Description:
**U.S. ALUMINUM DURAFRONT
 WIDE STILE SERIES 850
 DOOR SYSTEM**

Drawn By: AAD
 Date: 9/27/12
 Scale: AS NOTED
 File Name: 850 WS DRS.dwg
 Sheet



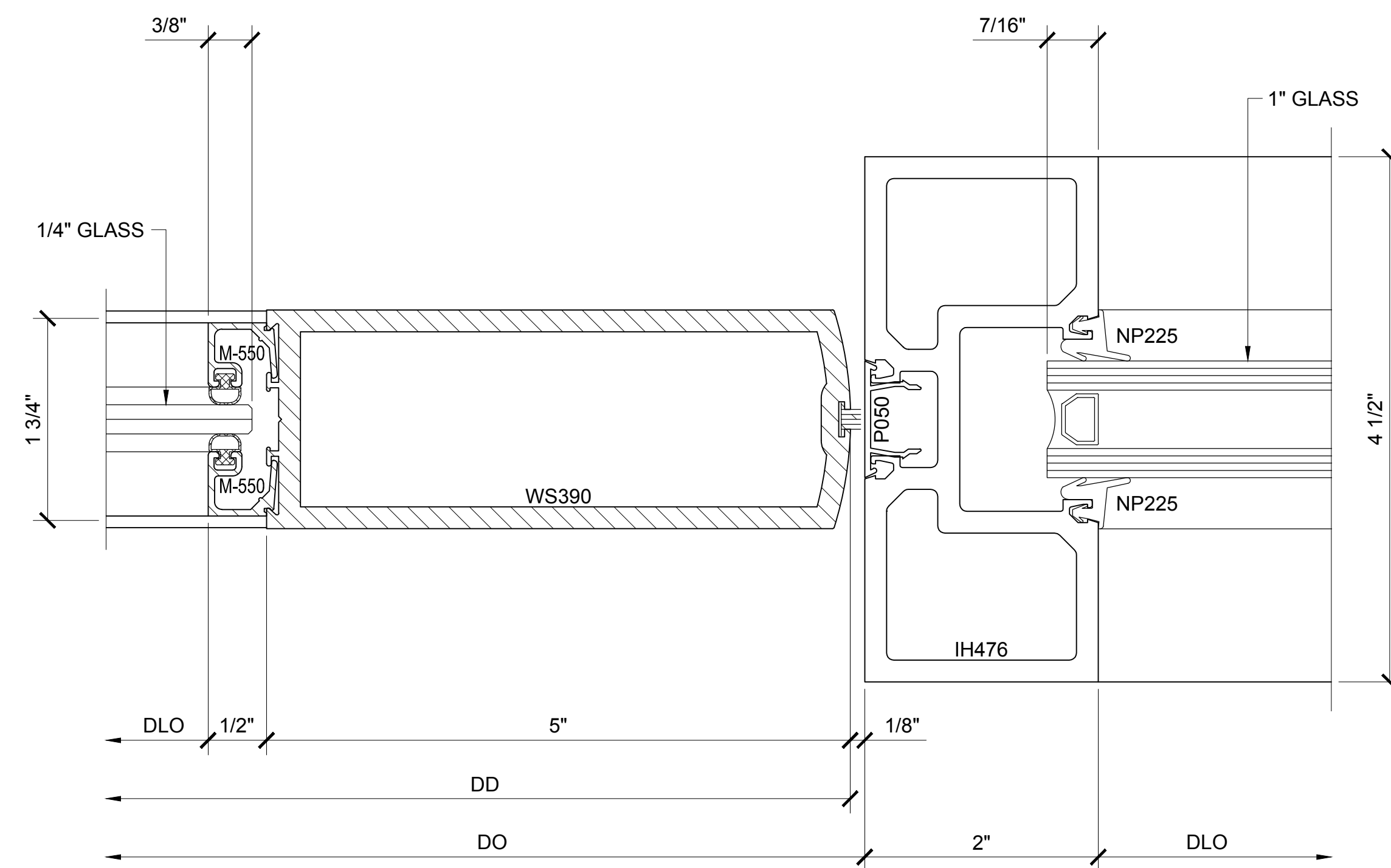
SECTION DETAIL @ VERTICAL

7



SECTION DETAIL @ DOOR JAMB

8



SECTION DETAIL @ DOOR JAMB

10

WIDE STILE CENTER HUNG SERIES 850 DOOR DETAILS

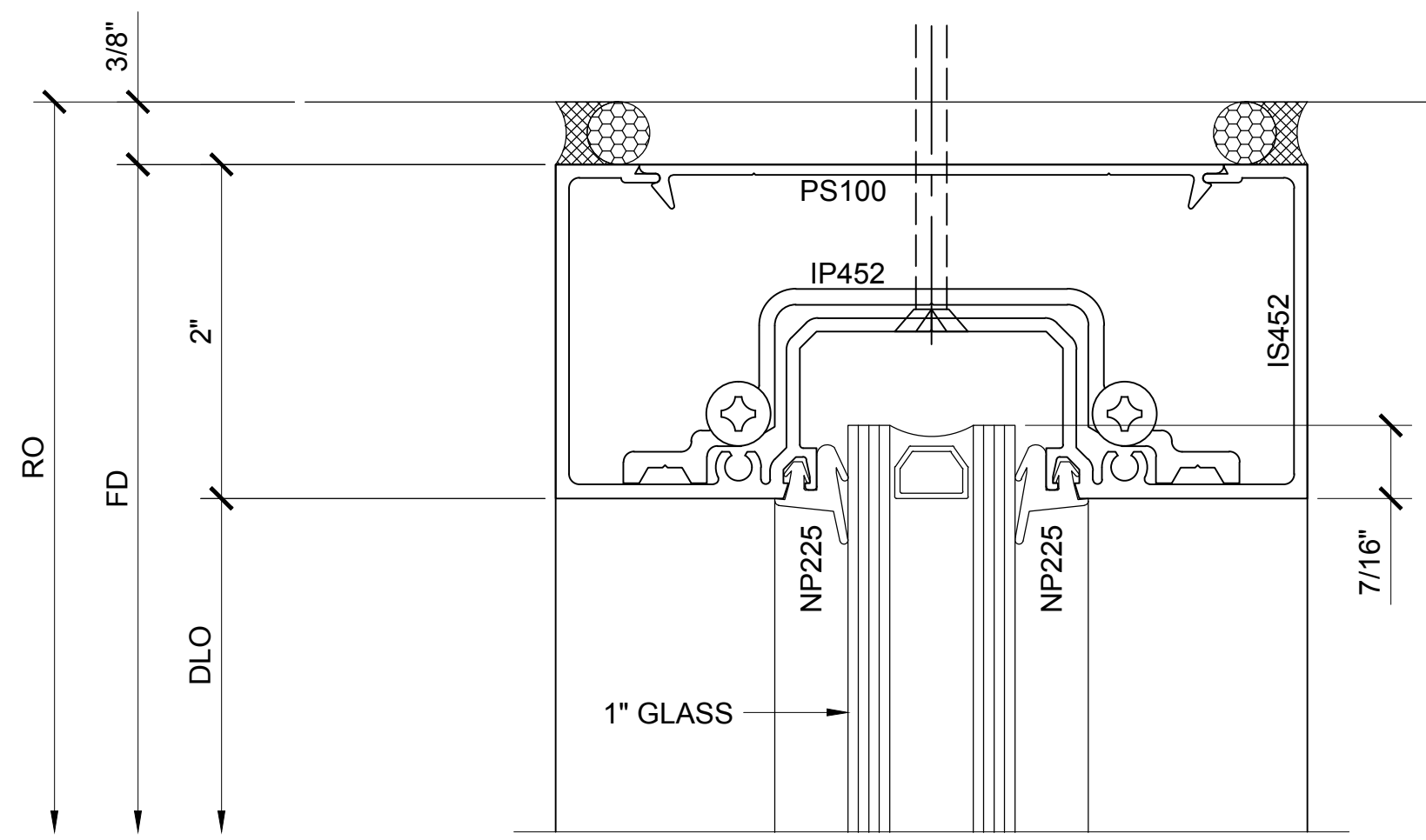
Revisions By:



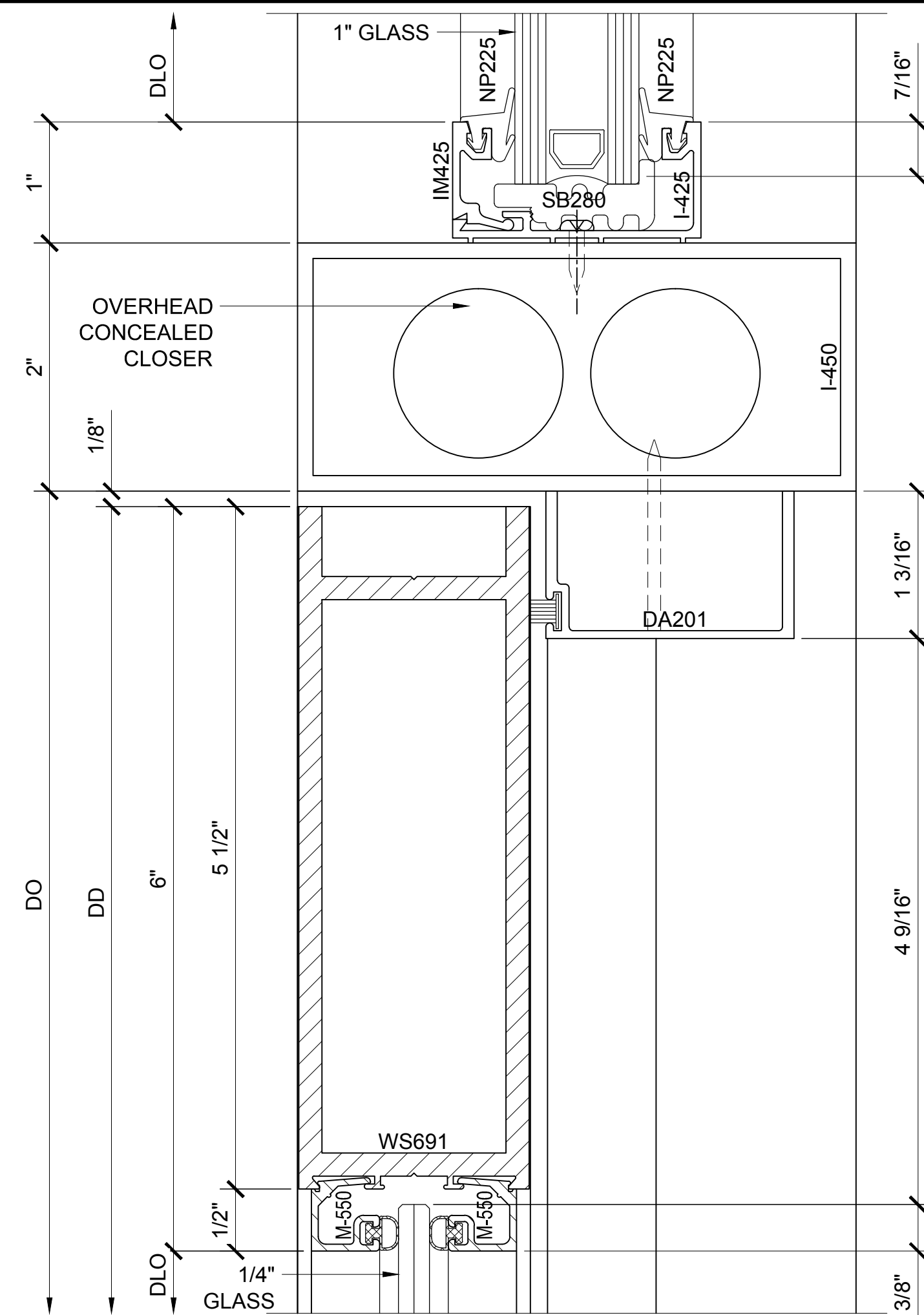
Description:
 U.S. ALUMINUM DURAFRONT
 WIDE STILE SERIES 850
 DOOR SYSTEM

Drawn By: AAD
 Date: 9/27/12
 Scale: AS NOTED
 File Name: 850 WS DRS.dwg

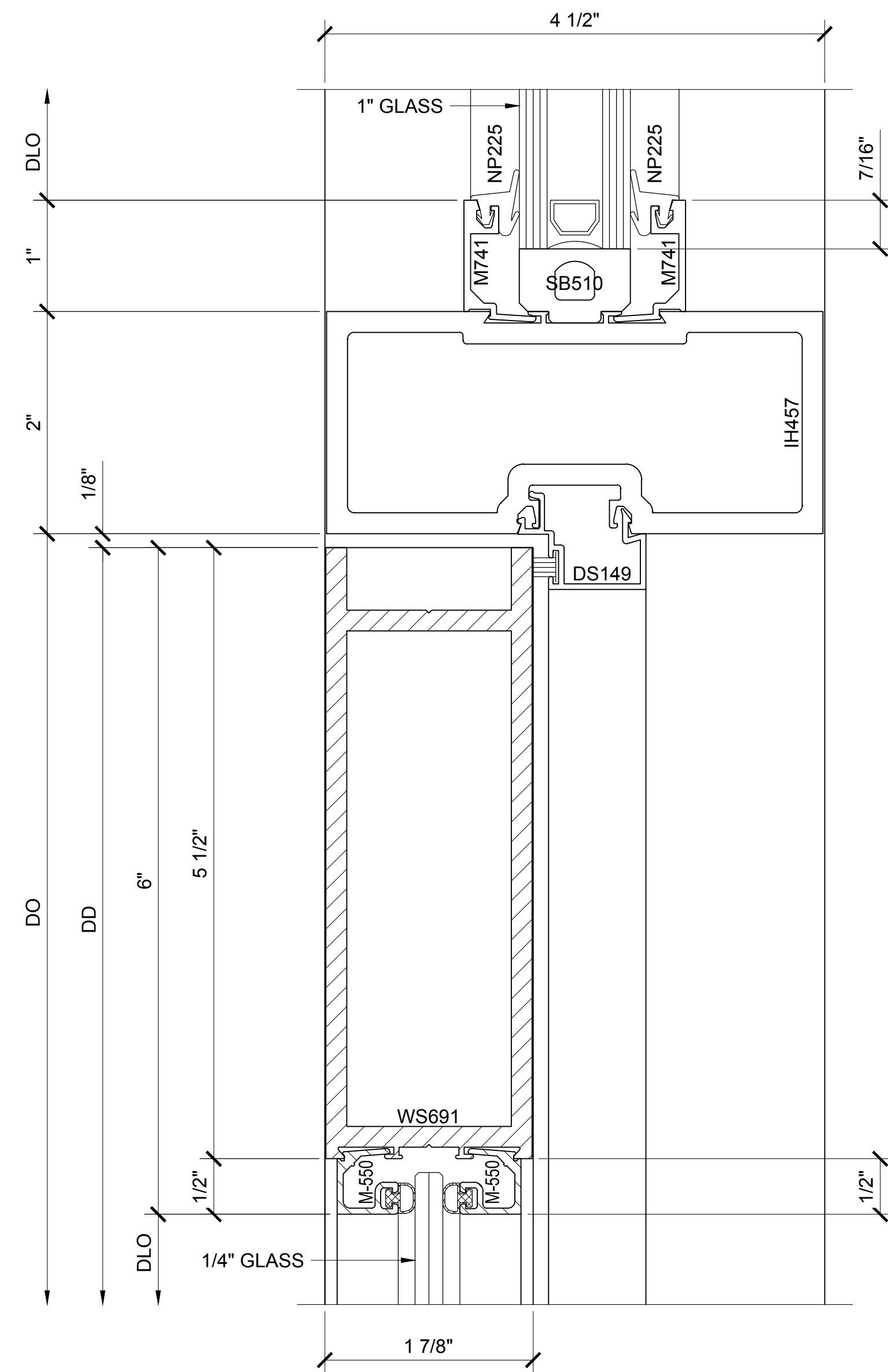
Sheet



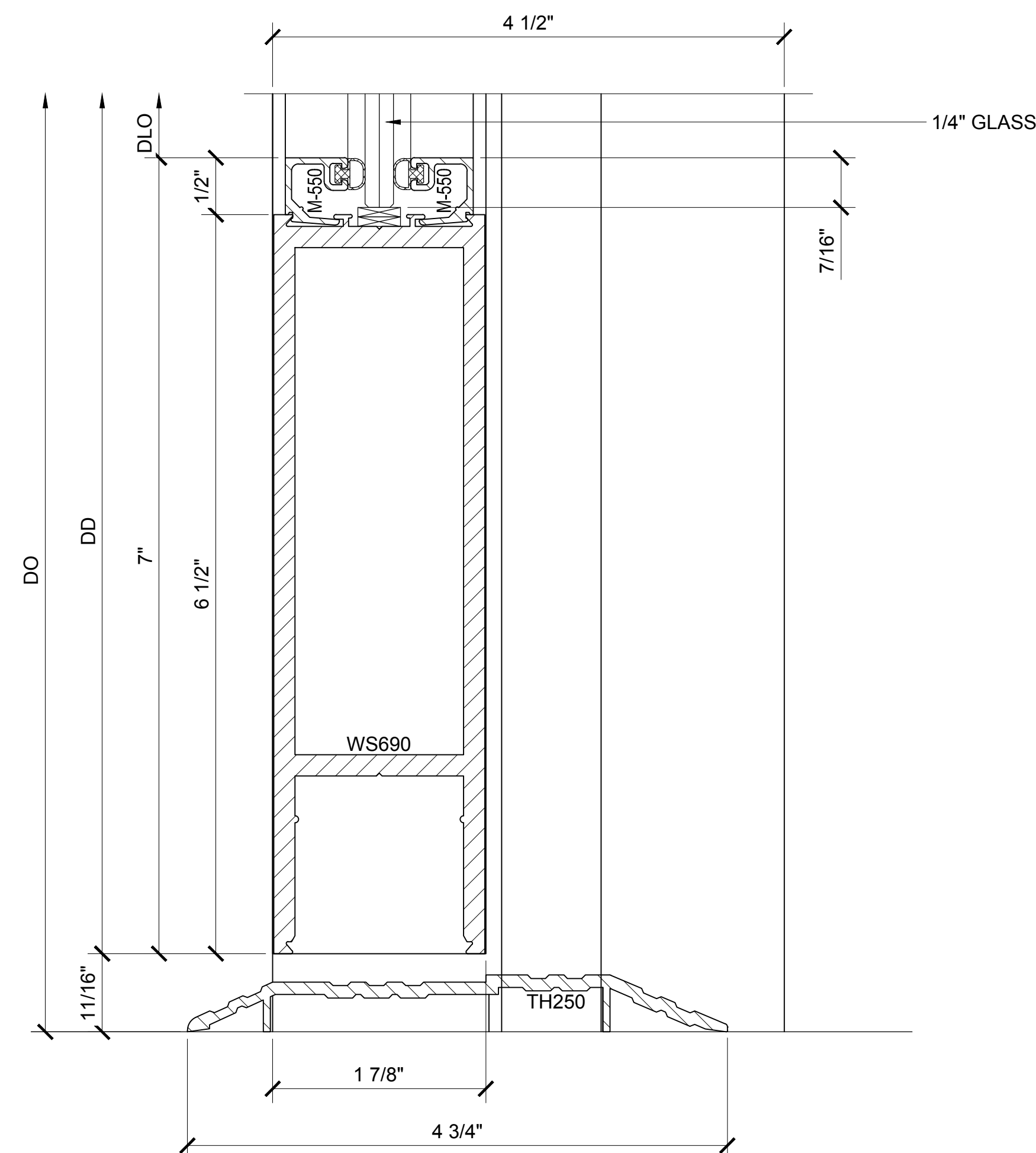
SECTION DETAIL @ STOREFRONT HEAD 11



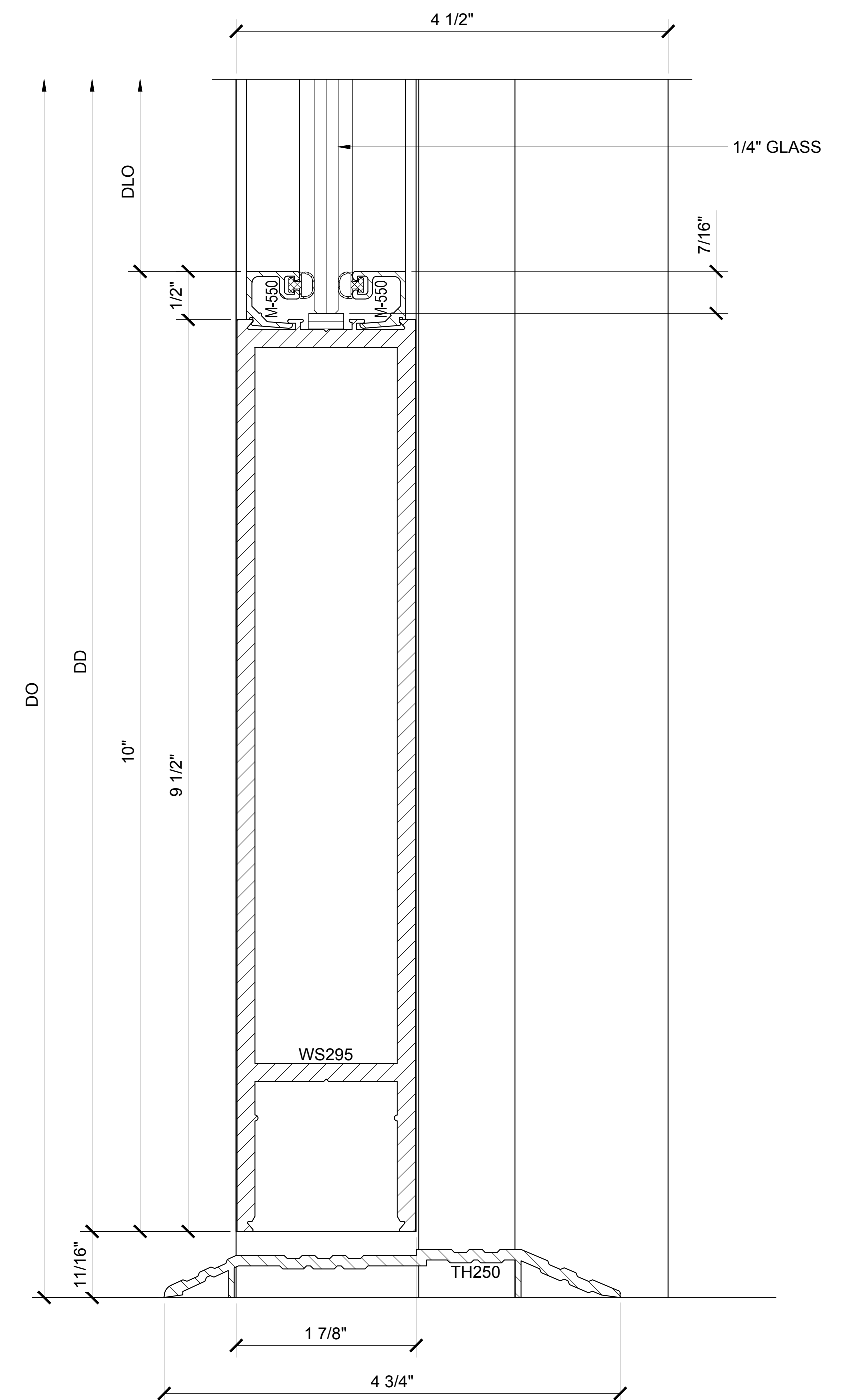
SECTION DETAIL @ DOOR HEAD WITH OHCC 13



SECTION DETAIL @ DOOR HEAD WITH PIVOT 12



SECTION DETAIL @ DOOR SILL 14



SECTION DETAIL @ ADA DOOR SILL 15

WIDE STILE OFFSET HUNG SERIES 850 DOOR DETAILS (SHOWN WITH OPTIONAL SERIES 451 STOREFRONT SYSTEM)

Revisions By:



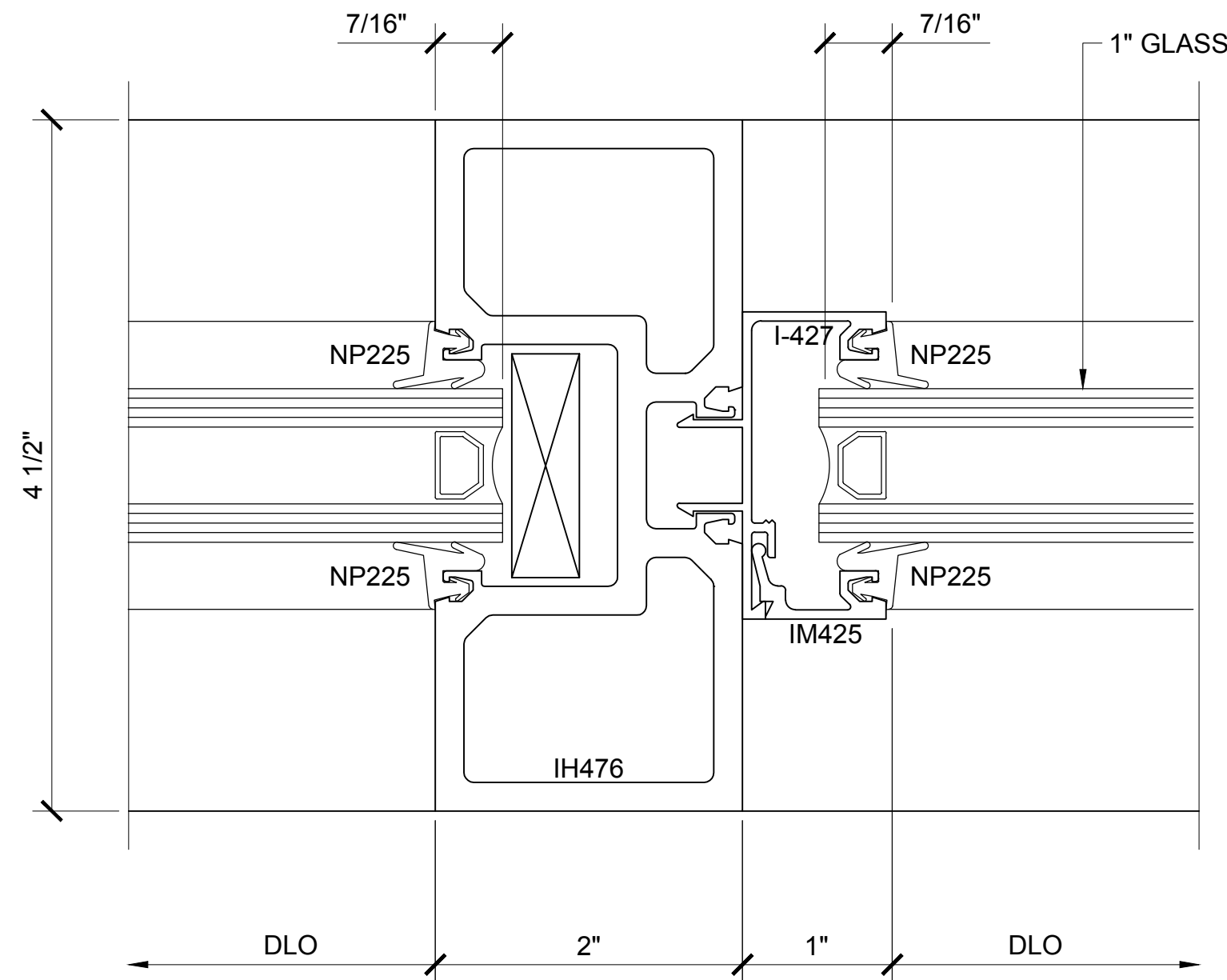
Description:
**U.S. ALUMINUM DURAFRONT
 WIDE STILE SERIES 850
 DOOR SYSTEM**

Drawn By: AAD
 Date: 9/27/12
 Scale: AS NOTED
 File Name: 850 WS DRS.dwg

Sheet

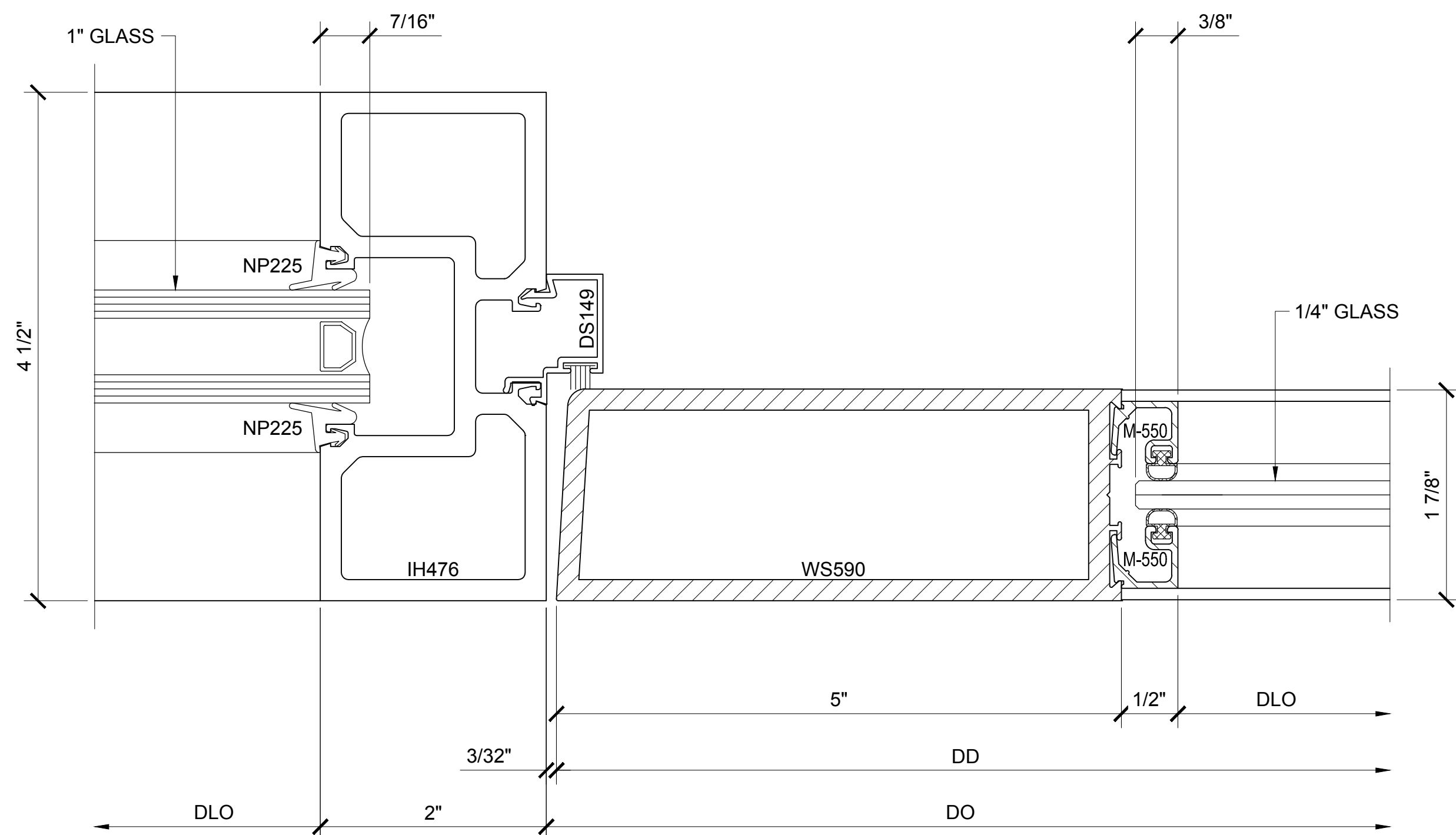
Revisions By:

U.S. ALUMINUM
C.R. LAURENCE CO. ARCHITECTURAL PRODUCTS
2503 E. Vernon Avenue, Los Angeles, CA 90058-1897
PH (800)-421-6144 FX (800)-987-7501 www.crlaurence.com



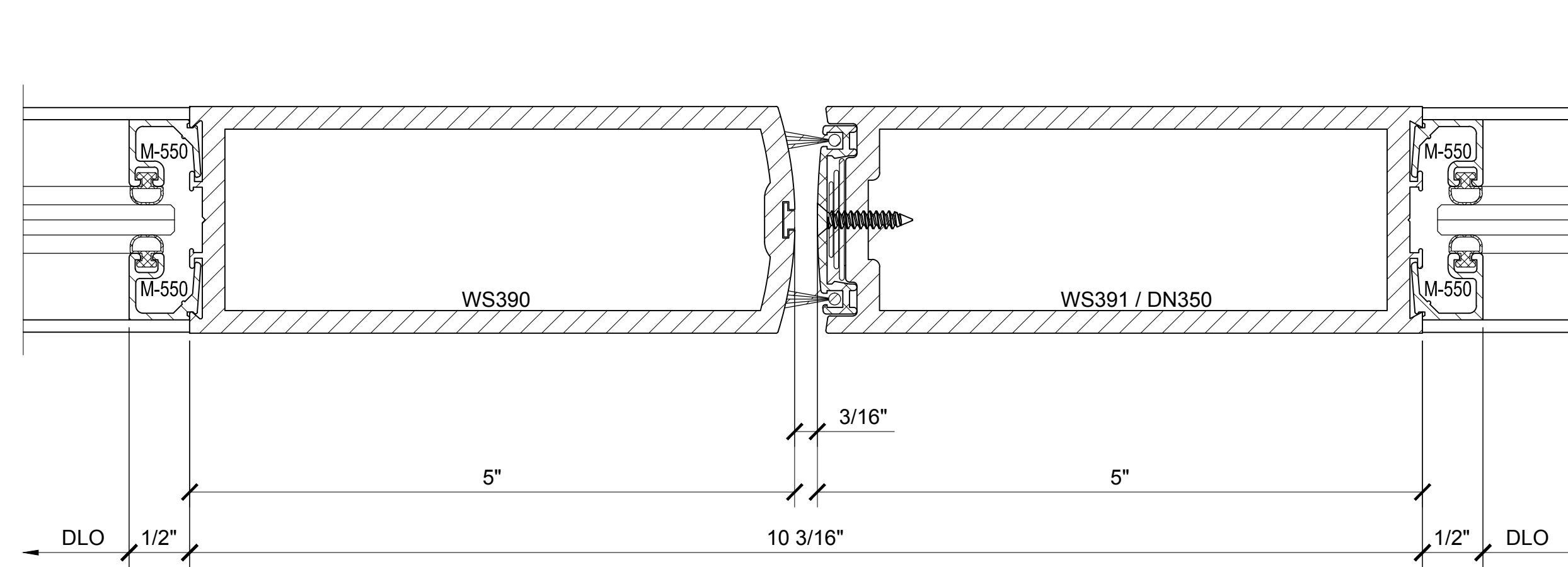
SECTION DETAIL @ VERTICAL

16



SECTION DETAIL @ DOOR JAMB

17



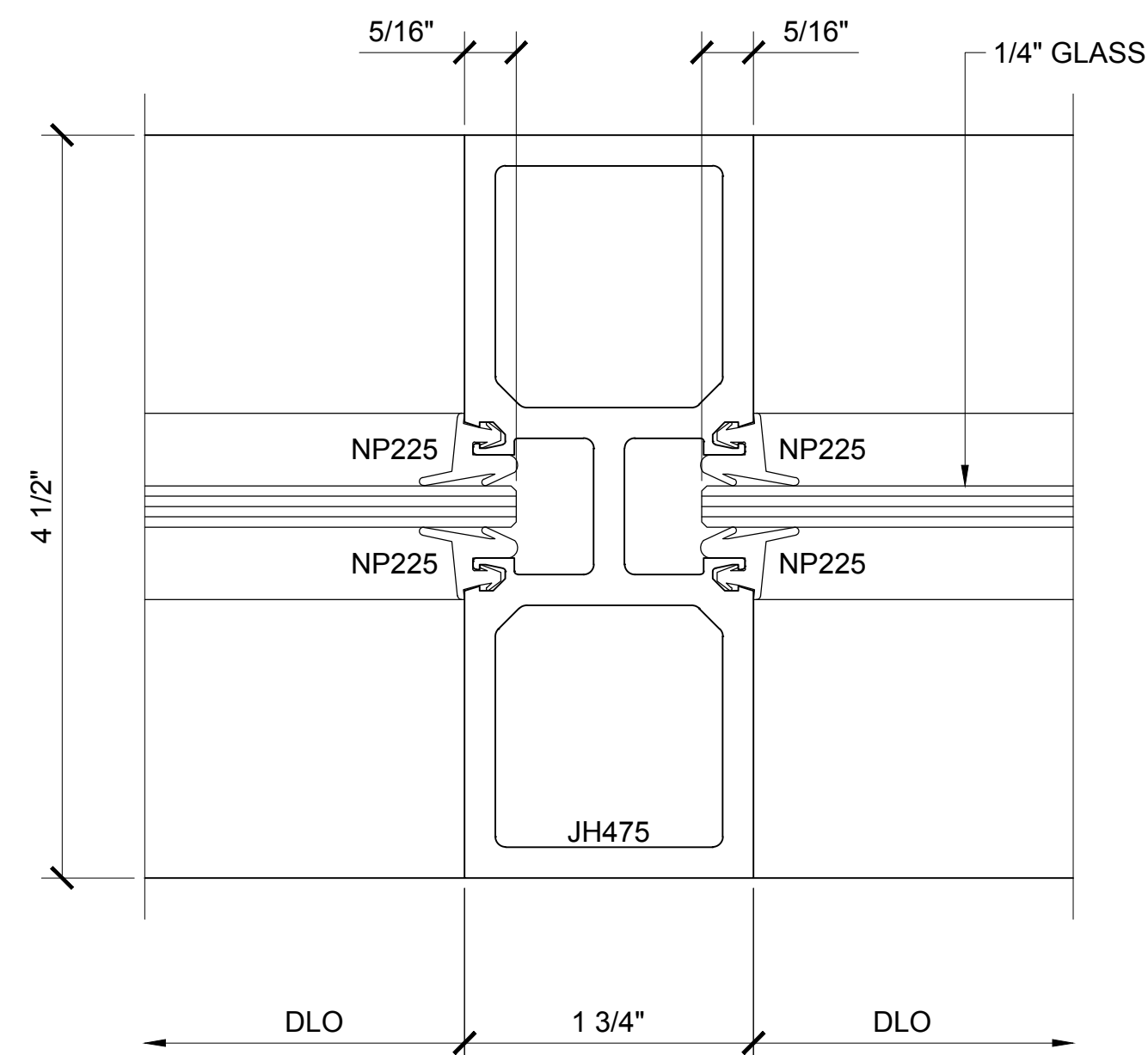
SECTION DETAIL @ MEETING STILES

9

Description:
U.S. ALUMINUM DURAFRONT
WIDE STILE SERIES 850
DOOR SYSTEM

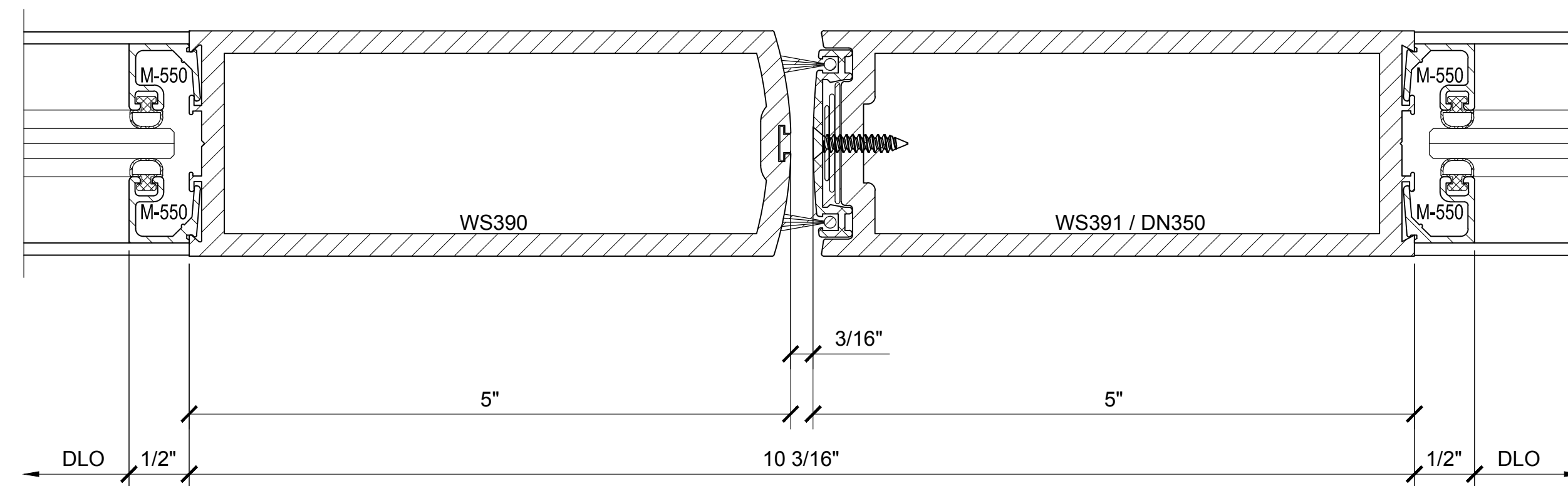
Drawn By: AAD
Date: 9/27/12
Scale: AS NOTED
File Name: 850 WS DRS.dwg

Sheet



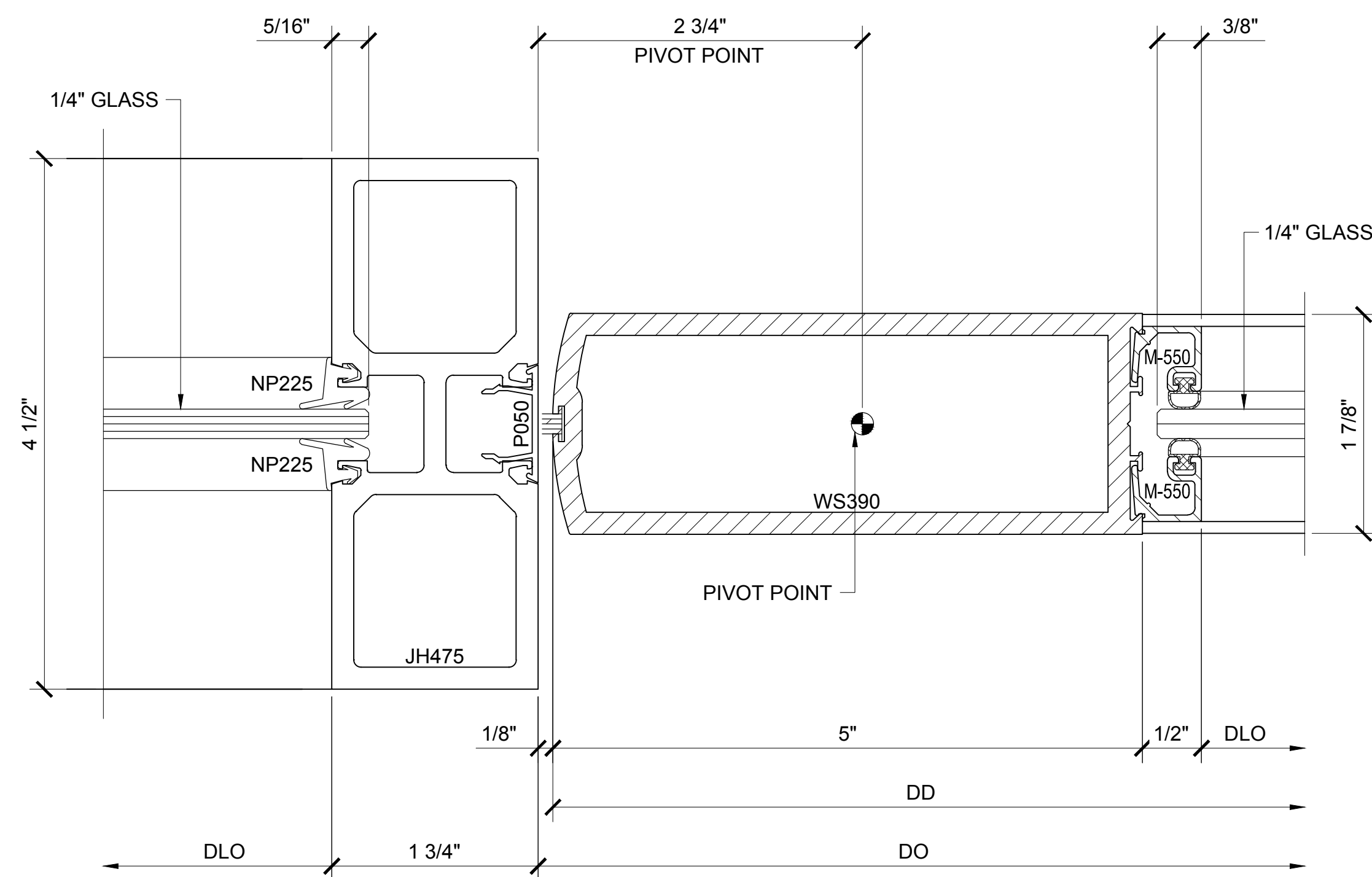
SECTION DETAIL @ VERTICAL

7



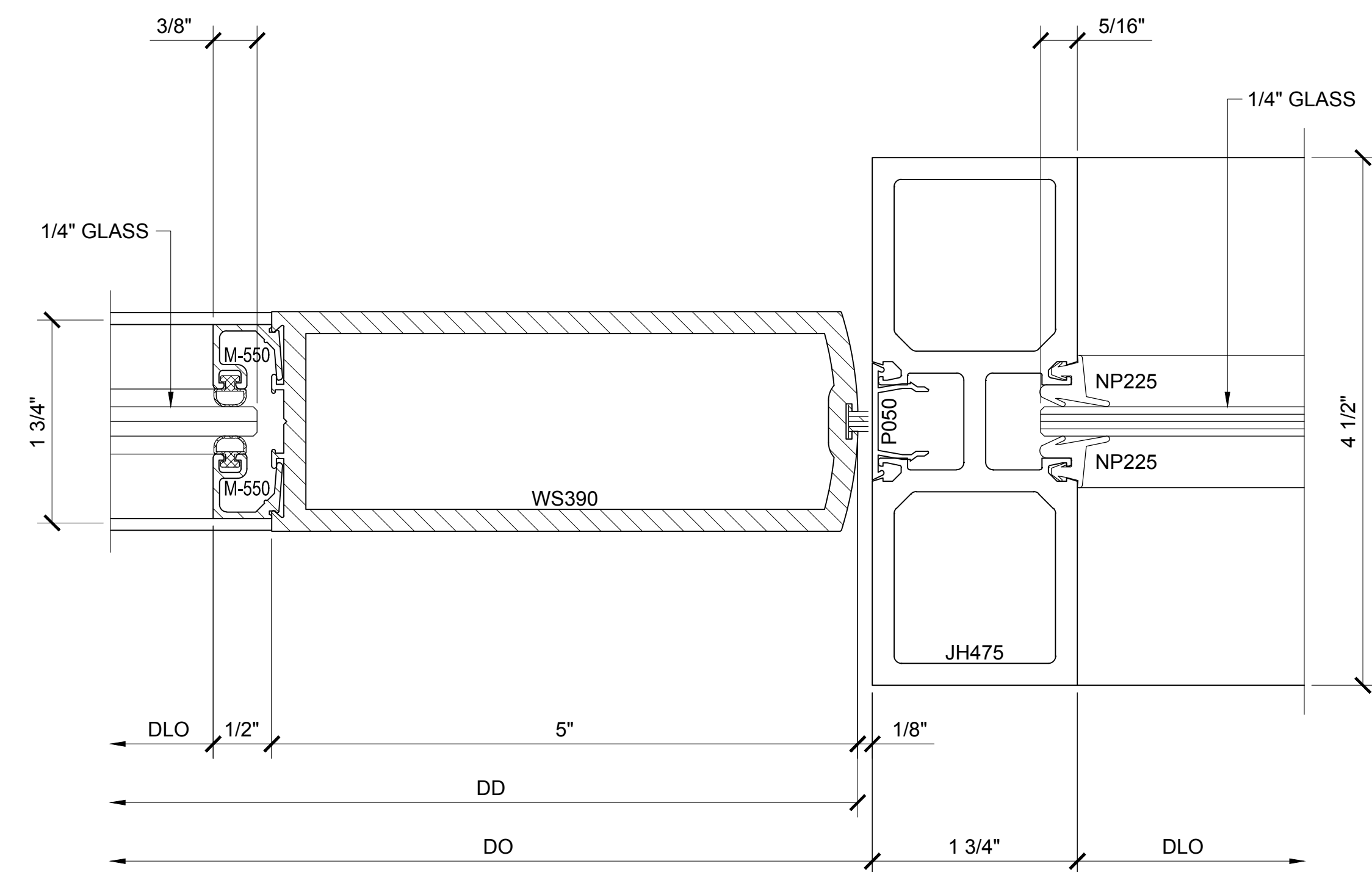
SECTION DETAIL @ MEETING STILES

9



SECTION DETAIL @ DOOR JAMB

8



SECTION DETAIL @ DOOR JAMB

10

WIDE STILE OFFSET HUNG SERIES 850 DOOR DETAILS (W/ 1 3/4" WIDE FRAMING)

Revisions By:



Description:
U.S. ALUMINUM DURAFRONT
WIDE STILE SERIES 850
DOOR SYSTEM

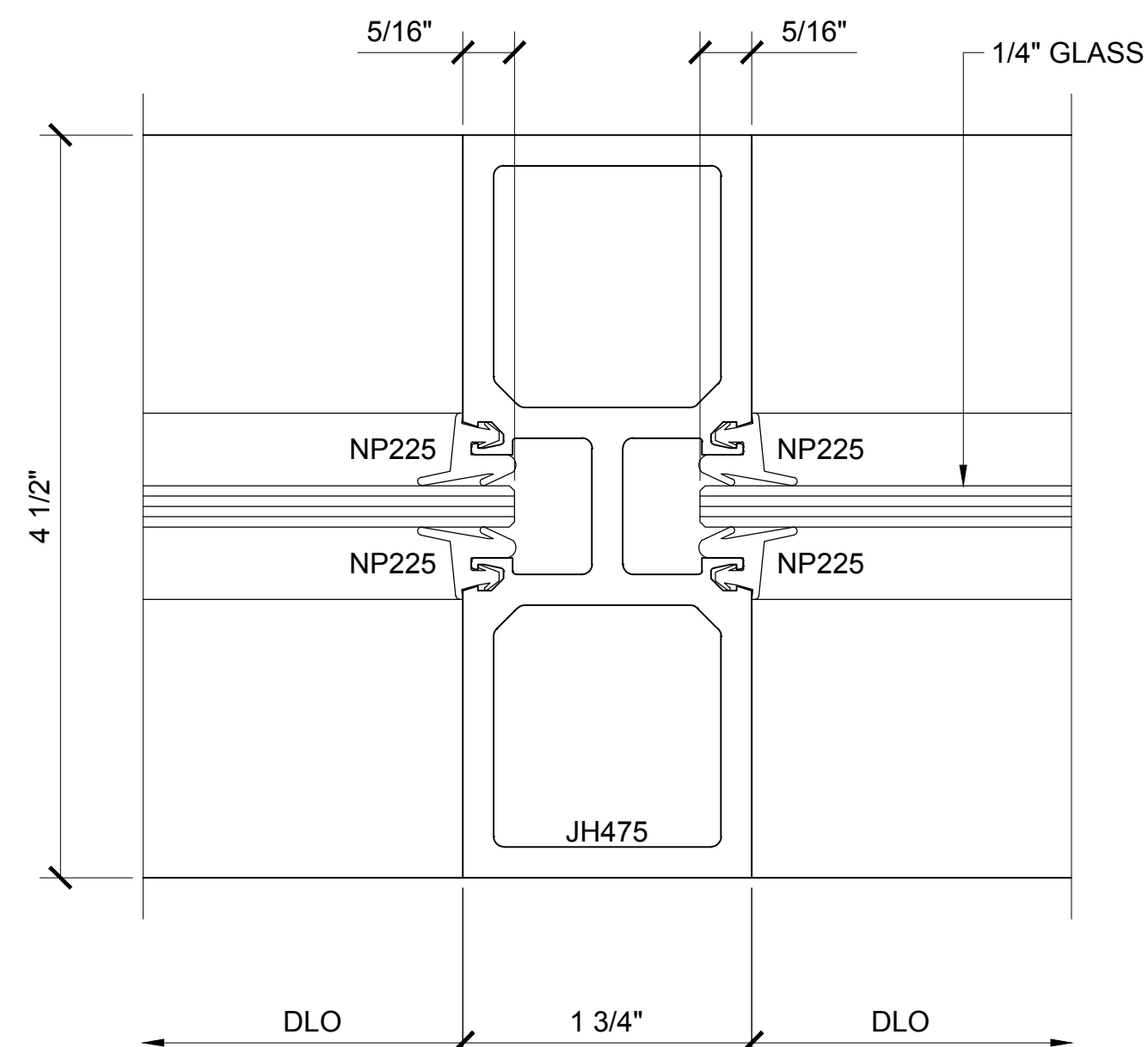
Drawn By: AAD
Date: 9/27/12
Scale: AS NOTED
File Name: 850 WS DRS.dwg

Sheet

M1

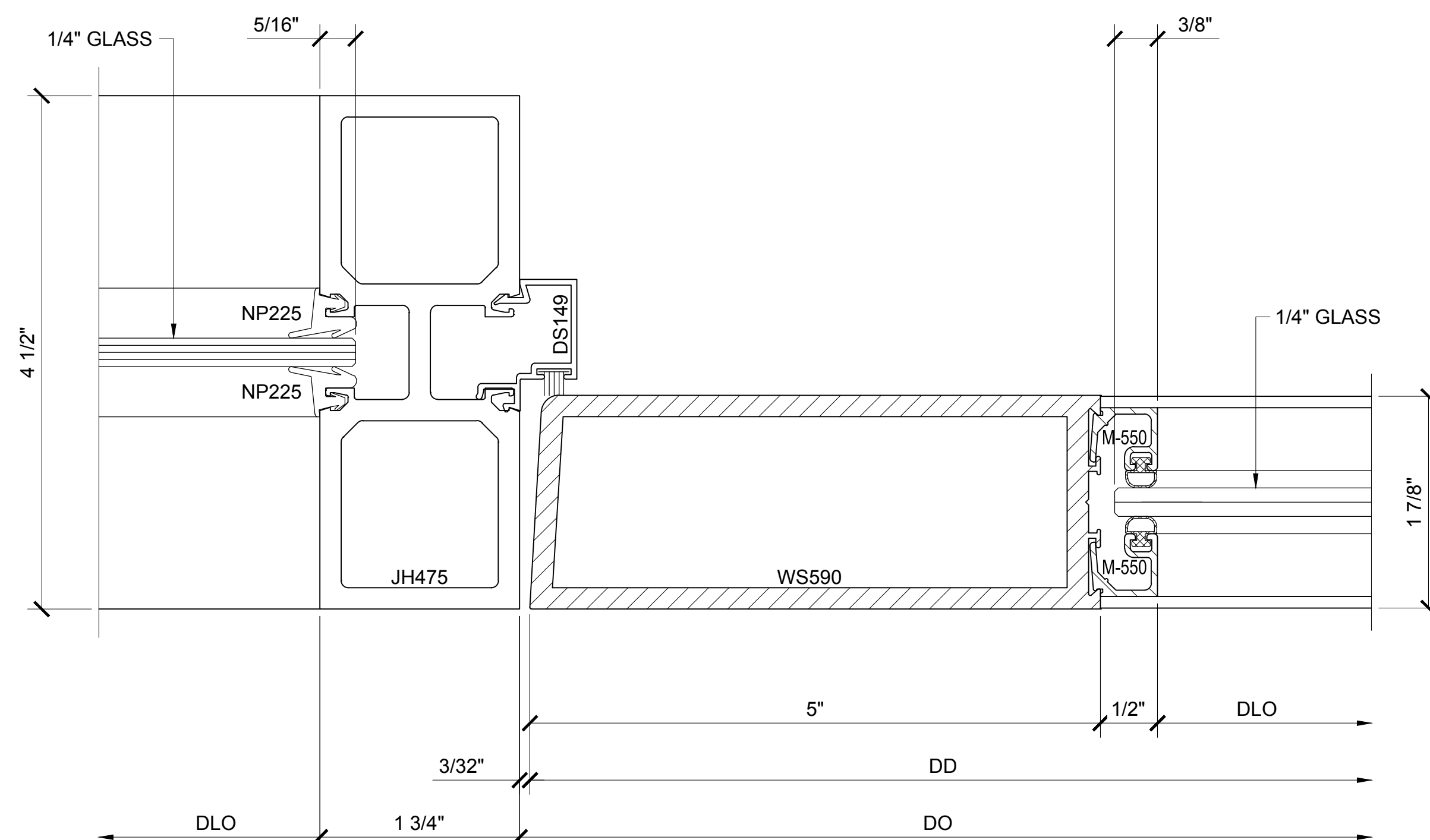
Revisions By:

CAL
U.S. ALUMINUM
C.R. LAURENCE CO. ARCHITECTURAL PRODUCTS
2503 E. Vernon Avenue, Los Angeles, CA 90058-1897
PH (800)-421-4144 FX (800)-587-7501 www.crlaurence.com



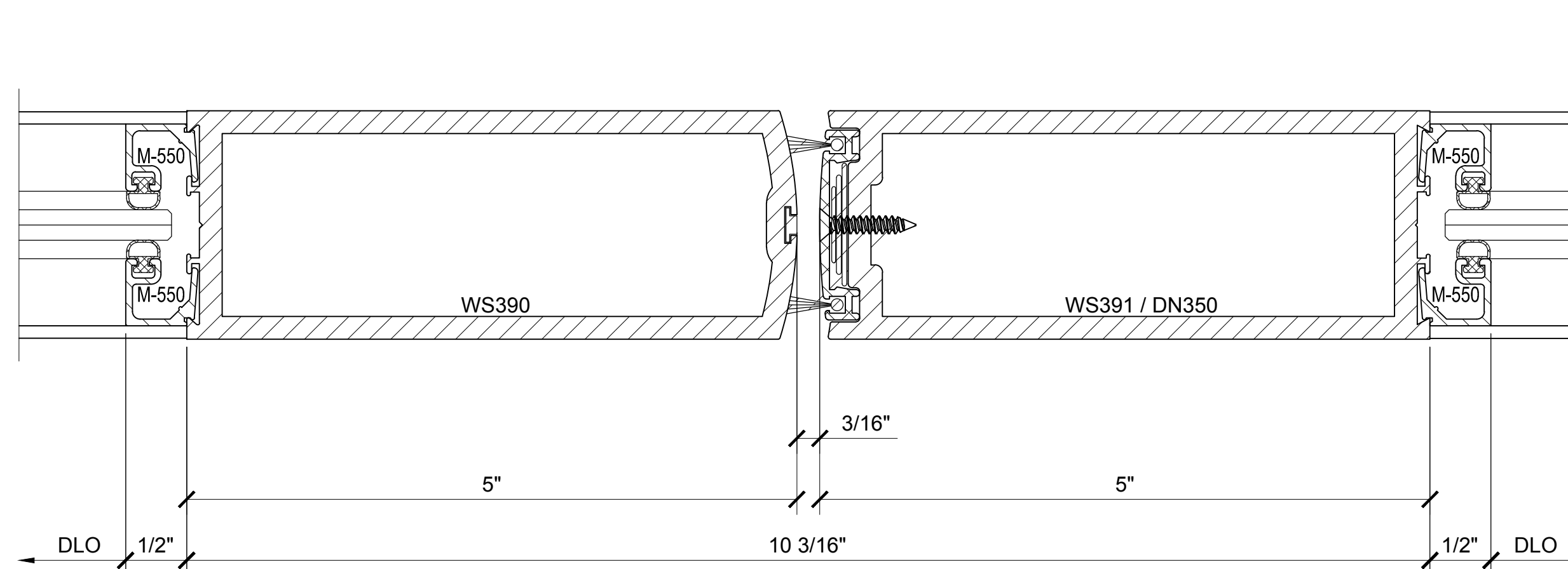
SECTION DETAIL @ VERTICAL

16



SECTION DETAIL @ DOOR JAMB

17



SECTION DETAIL @ MEETING STILES

9

WIDE STILE OFFSET HUNG SERIES 850 DOOR DETAILS (W/ 1 3/4" WIDE FRAMING)

Description:
U.S. ALUMINUM DURAFRONT
WIDE STILE SERIES 850
DOOR SYSTEM

Drawn By: AAD
Date: 9/27/12
Scale: AS NOTED
File Name: 850 WS DRS.dwg

Sheet

M2