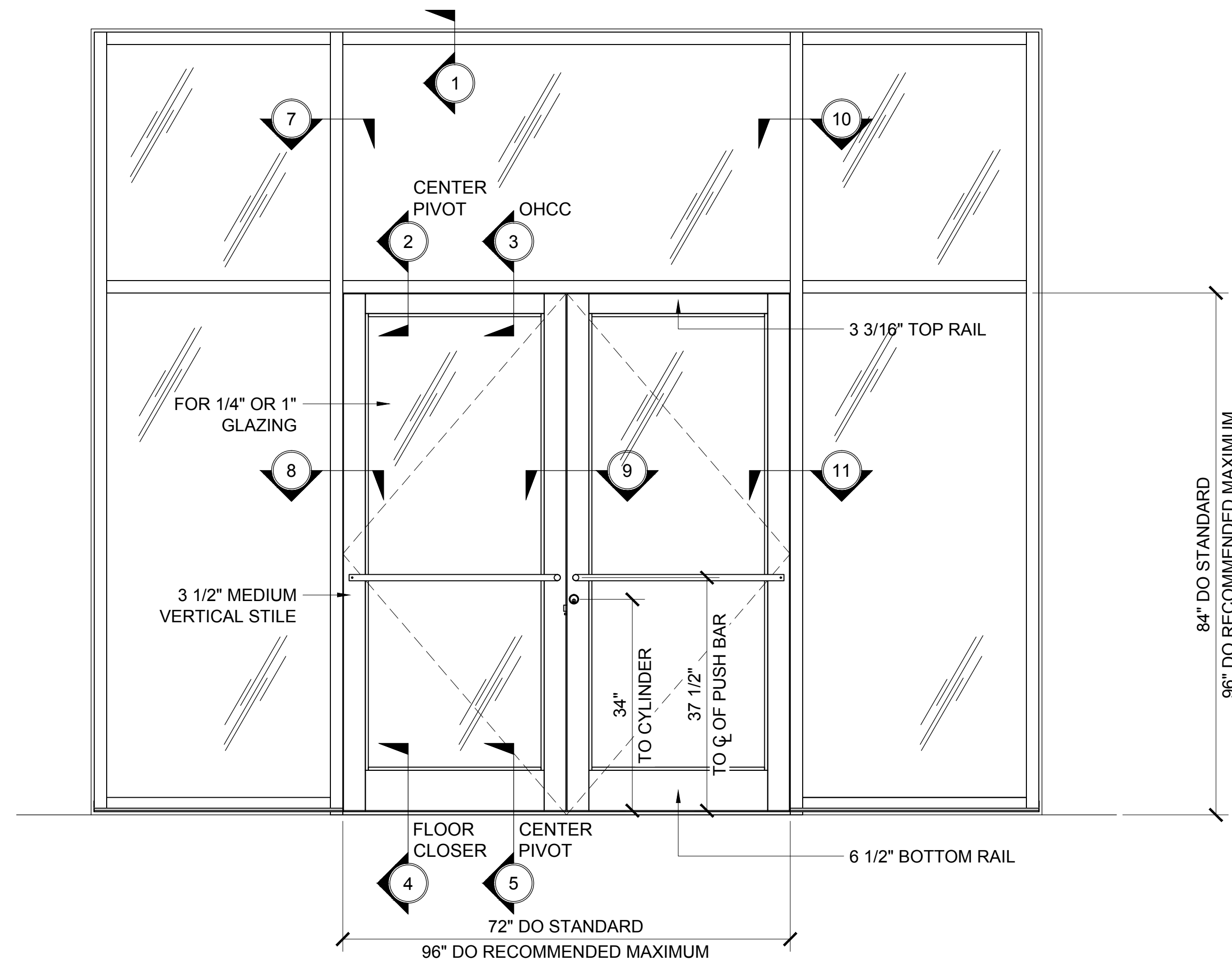


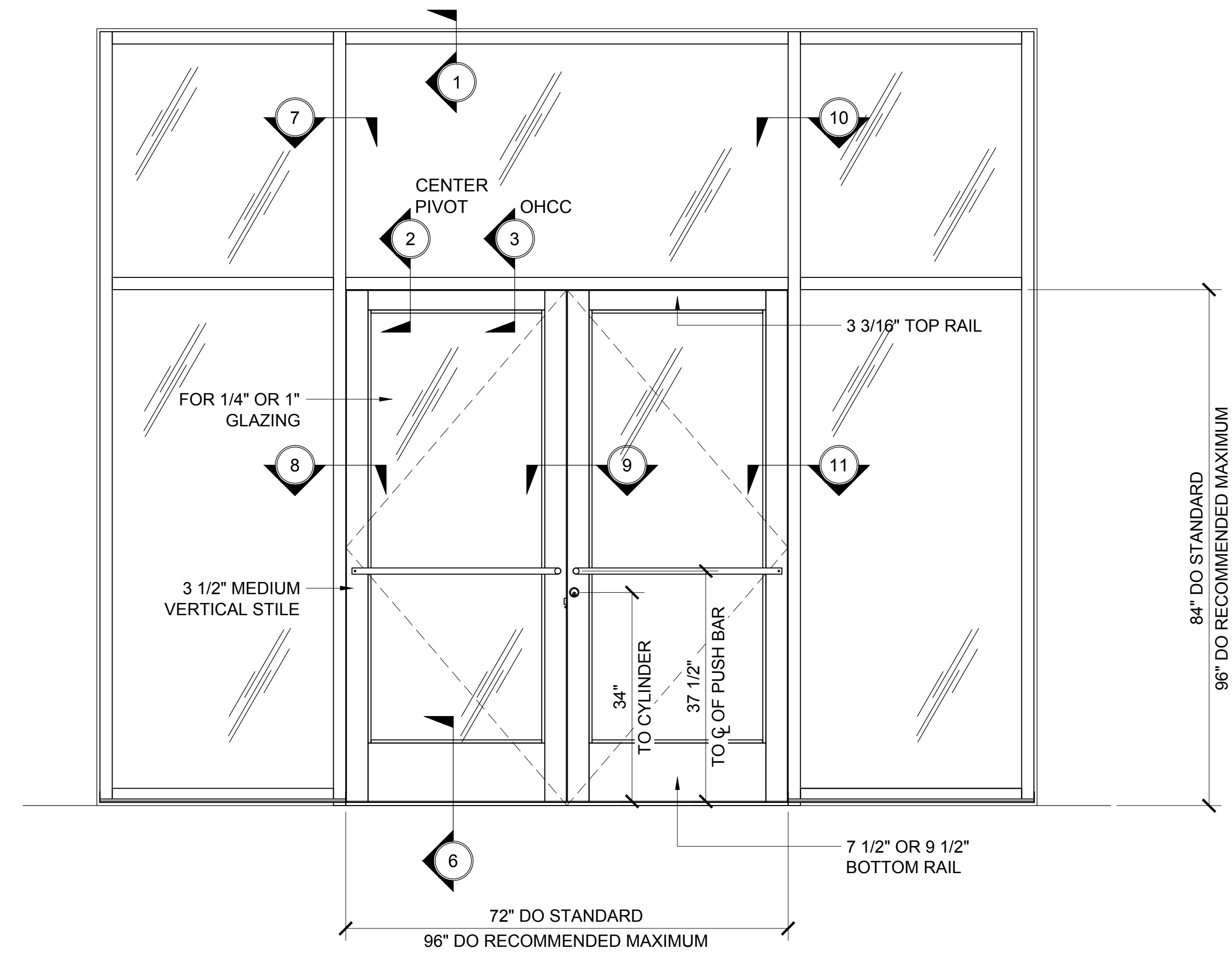


U.S. ALUMINUM MEDIUM STILE SERIES 400 DOOR SYSTEM

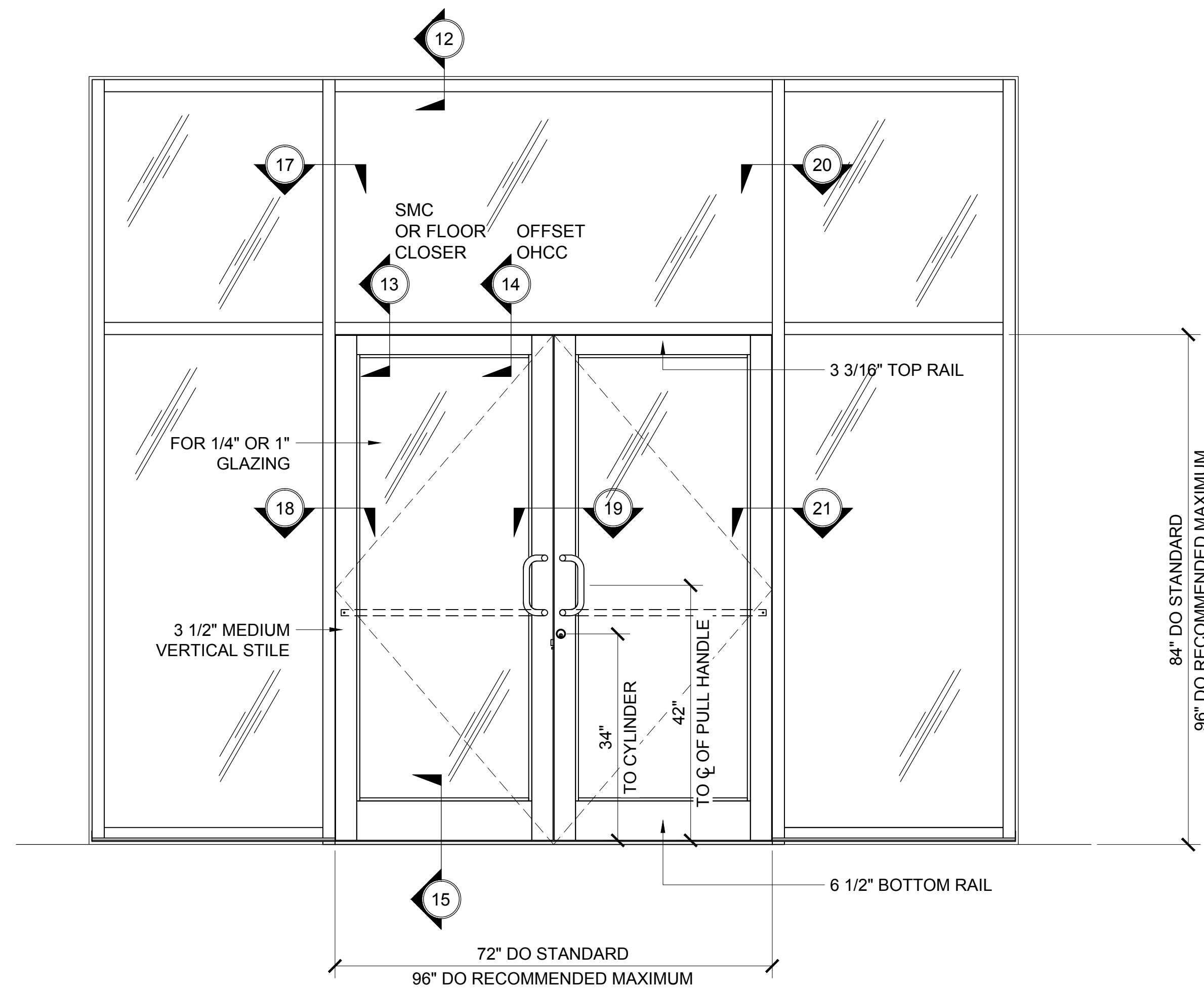
Revisions By:



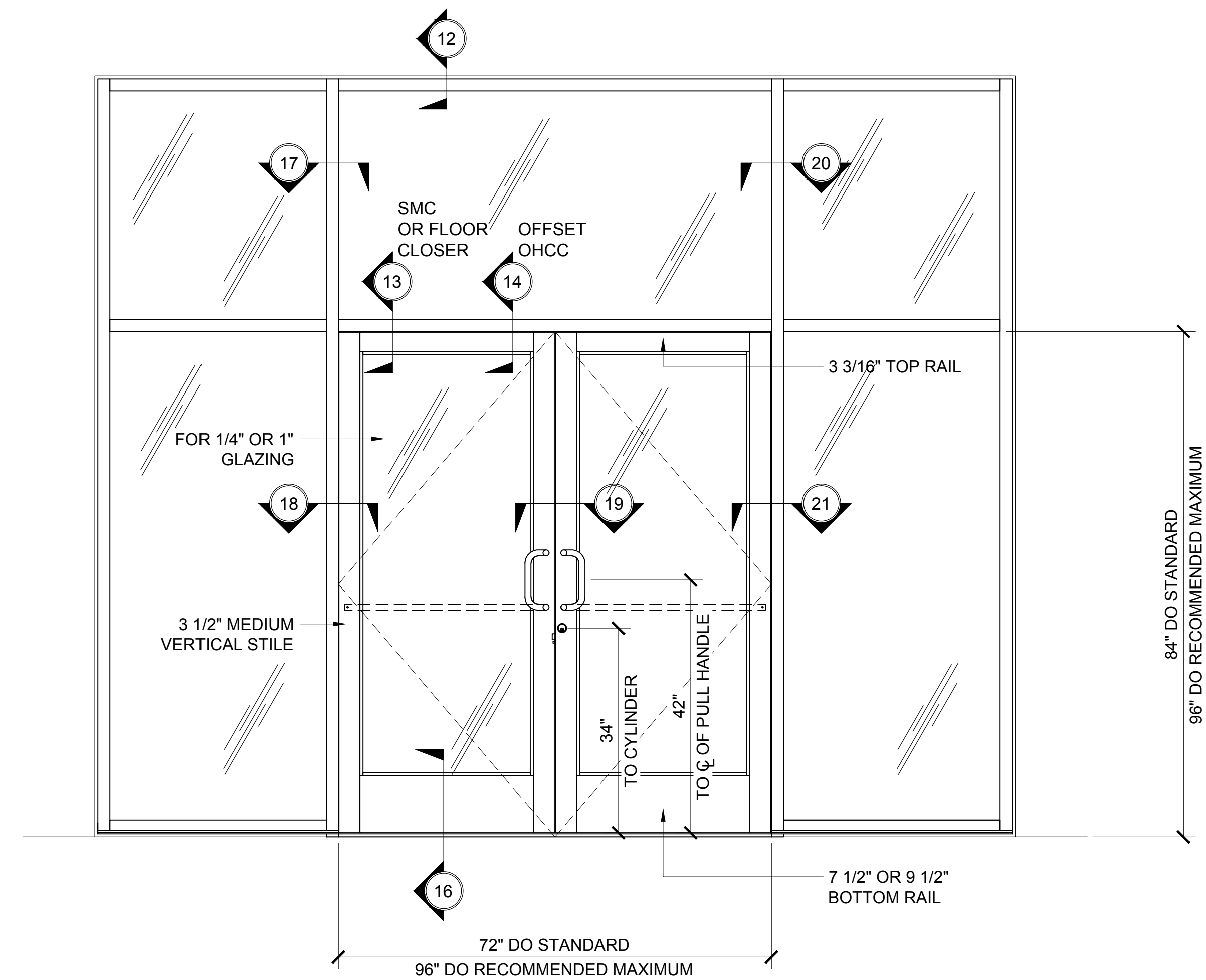
CENTER-HUNG MEDIUM STILE SERIES 400 DOOR TYPICAL ELEVATION



CENTER-HUNG MEDIUM STILE SERIES 400 DOOR ADA COMPLIANT ELEVATION

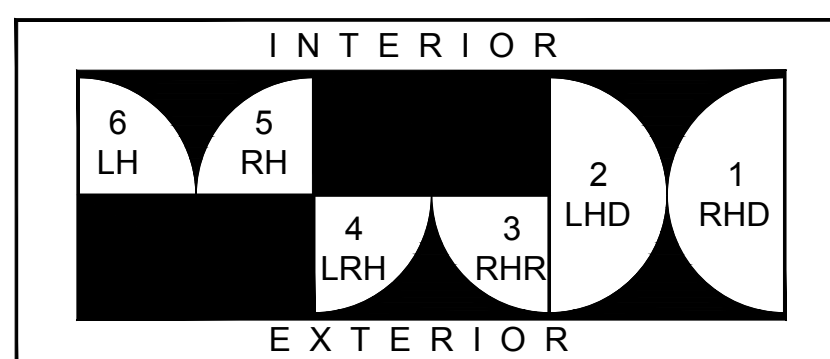


OFFSET-HUNG MEDIUM STILE SERIES 400 DOOR TYPICAL ELEVATION



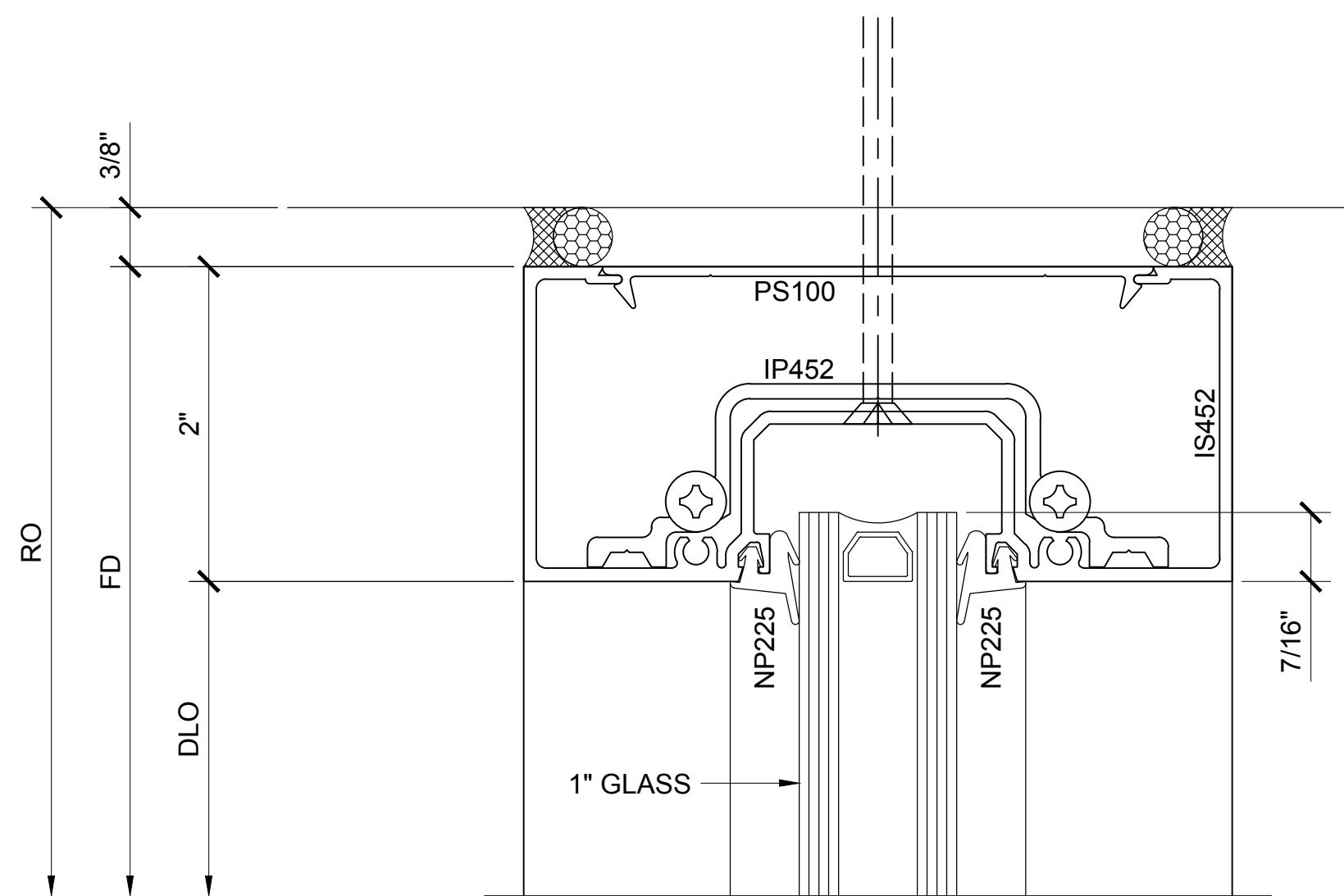
OFFSET-HUNG MEDIUM STILE SERIES 400 DOOR ADA COMPLIANT ELEVATION

DOOR SWING CHART

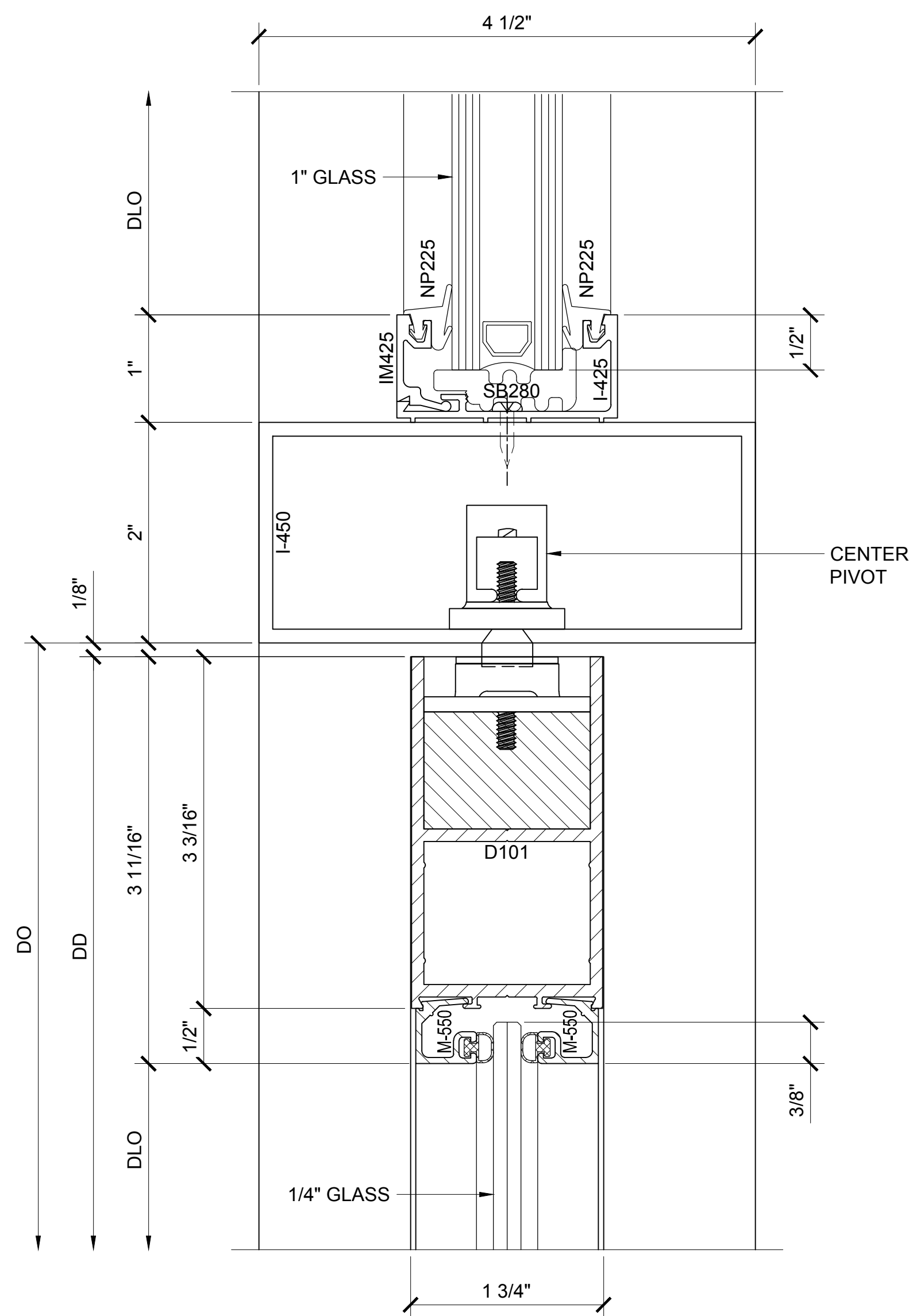


Description:
U.S. ALUMINUM
MEDIUM STILE SERIES 400
DOOR SYSTEM

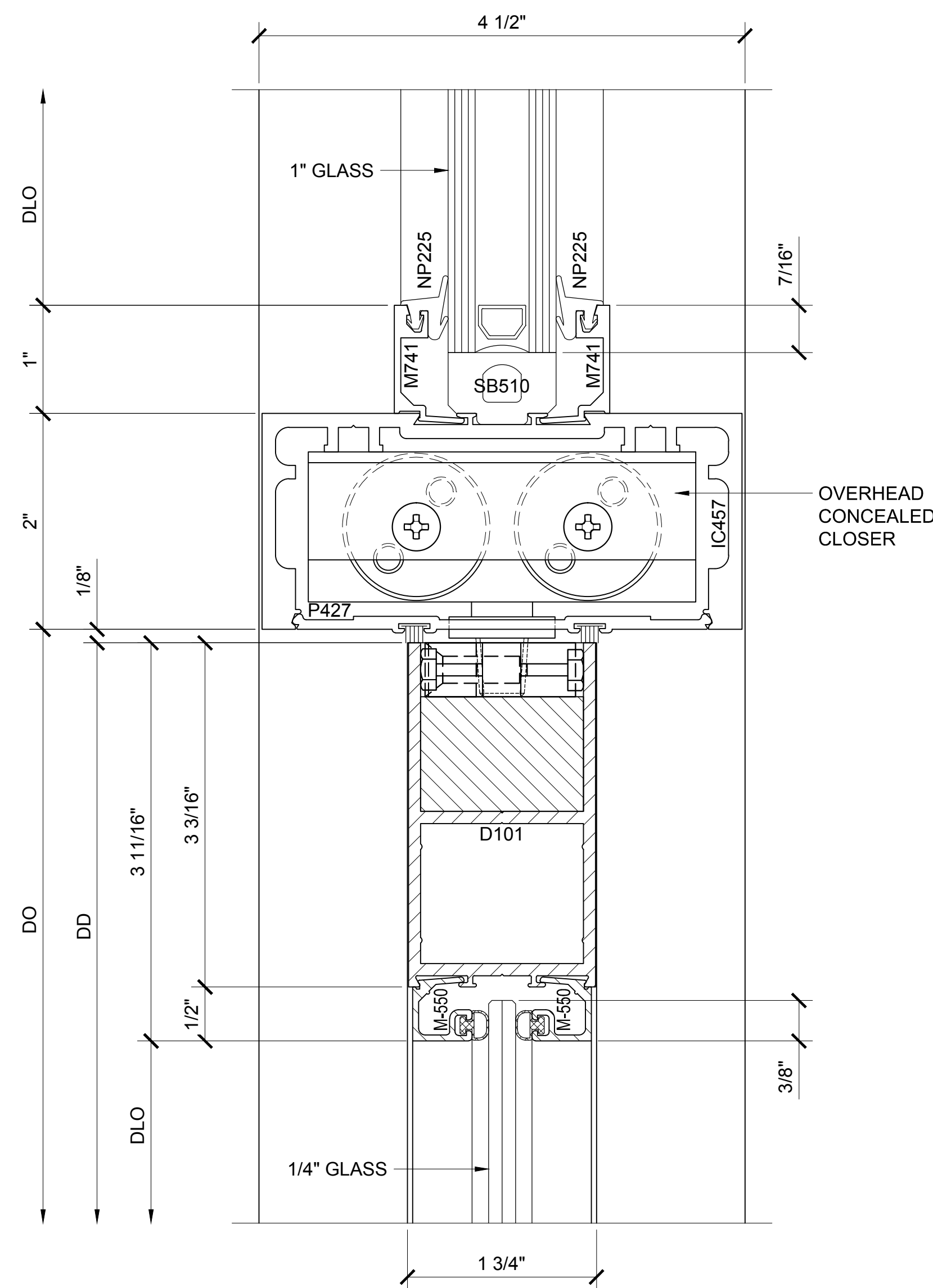
Drawn By: AAD
Date: 9/21/12
Scale: AS NOTED
File Name: 400 MS DRS.dwg
Sheet



SECTION DETAIL @ STOREFRONT HEAD (1)



SECTION DETAIL @ DOOR HEAD WITH PIVOT (2)



SECTION DETAIL @ DOOR HEAD WITH OHCC (3)

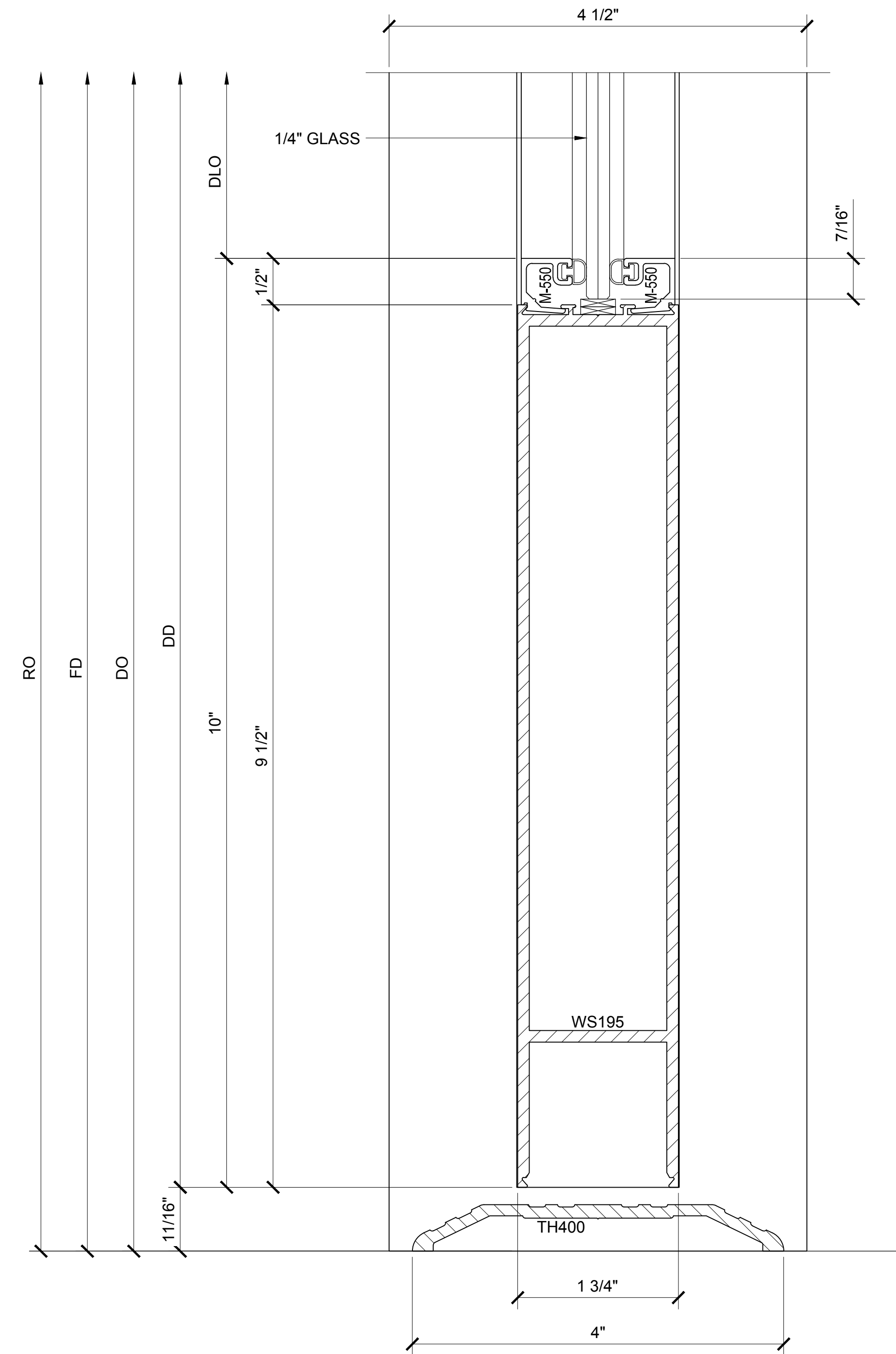
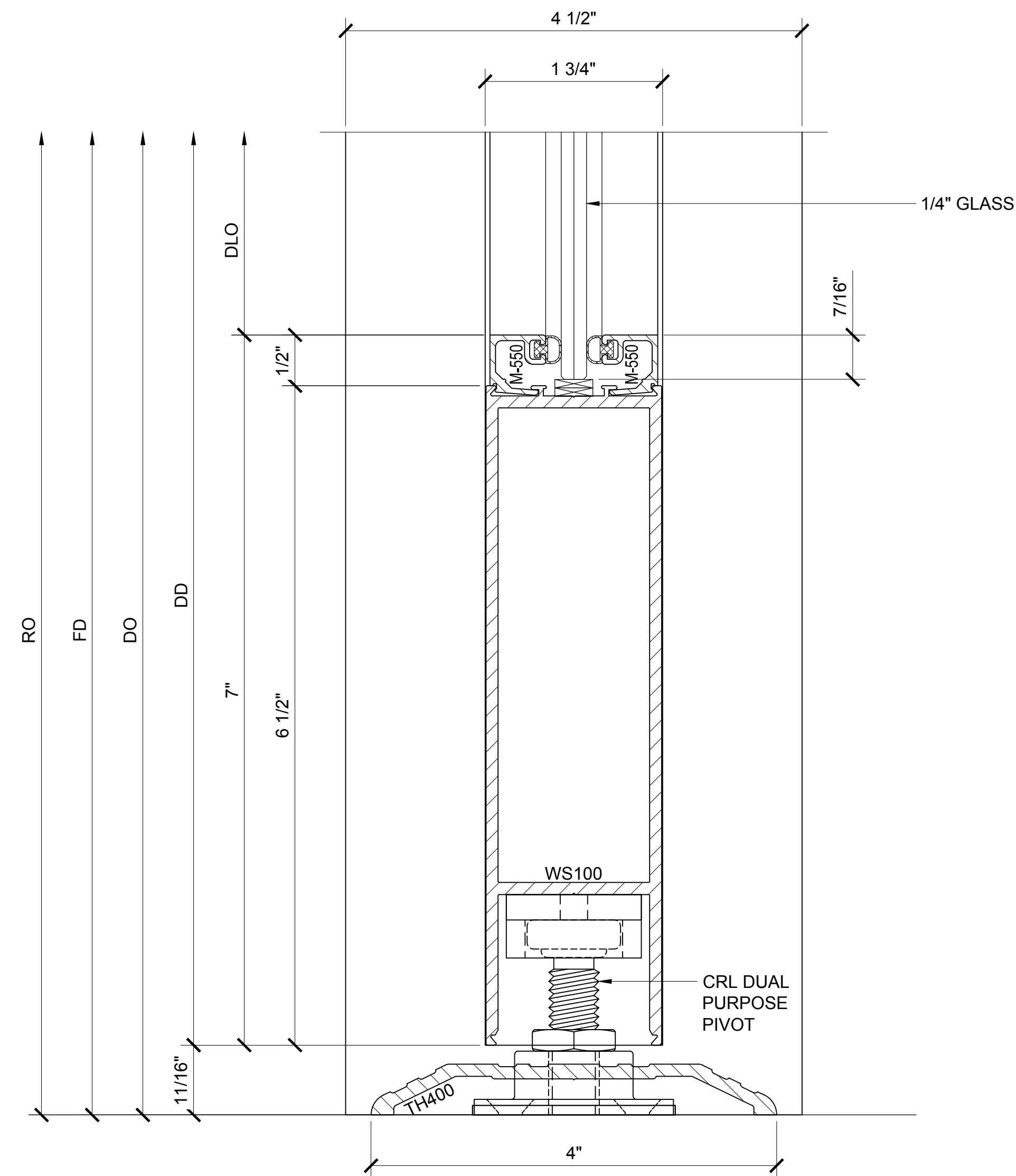
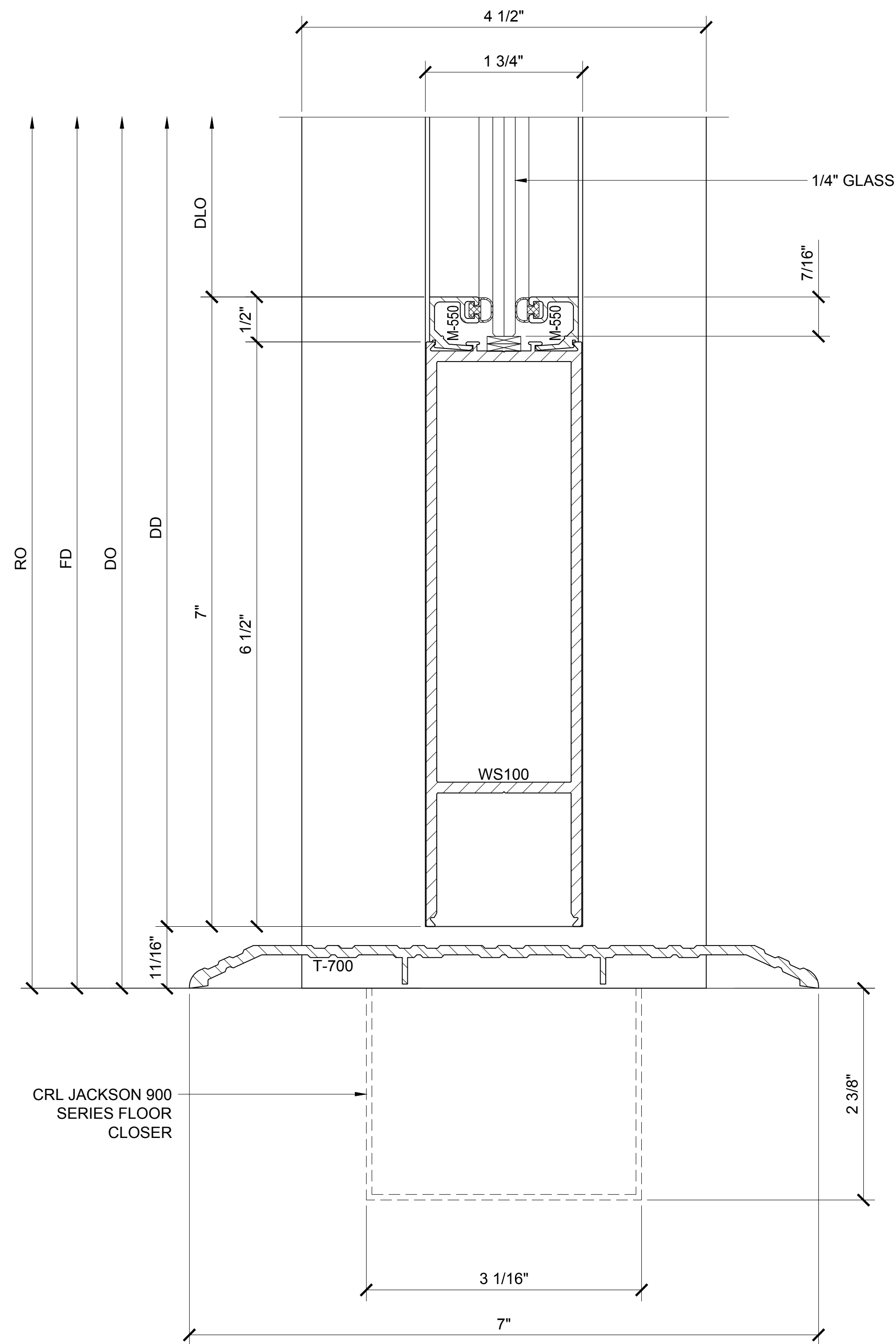
MEDIUM STILE CENTER HUNG SERIES 400 DOOR DETAILS (SHOWN WITH OPTIONAL SERIES 451 STOREFRONT SYSTEM)

Revisions By:



Description:
U.S. ALUMINUM
MEDIUM STILE SERIES 400
DOOR SYSTEM

Drawn By: AAD
Date: 9/21/12
Scale: AS NOTED
File Name: 400 MS DRS.dwg
Sheet



SECTION DETAIL @ DOOR SILL

4

SECTION DETAIL @ DOOR SILL

5

SECTION DETAIL @ ADA DOOR SILL

6

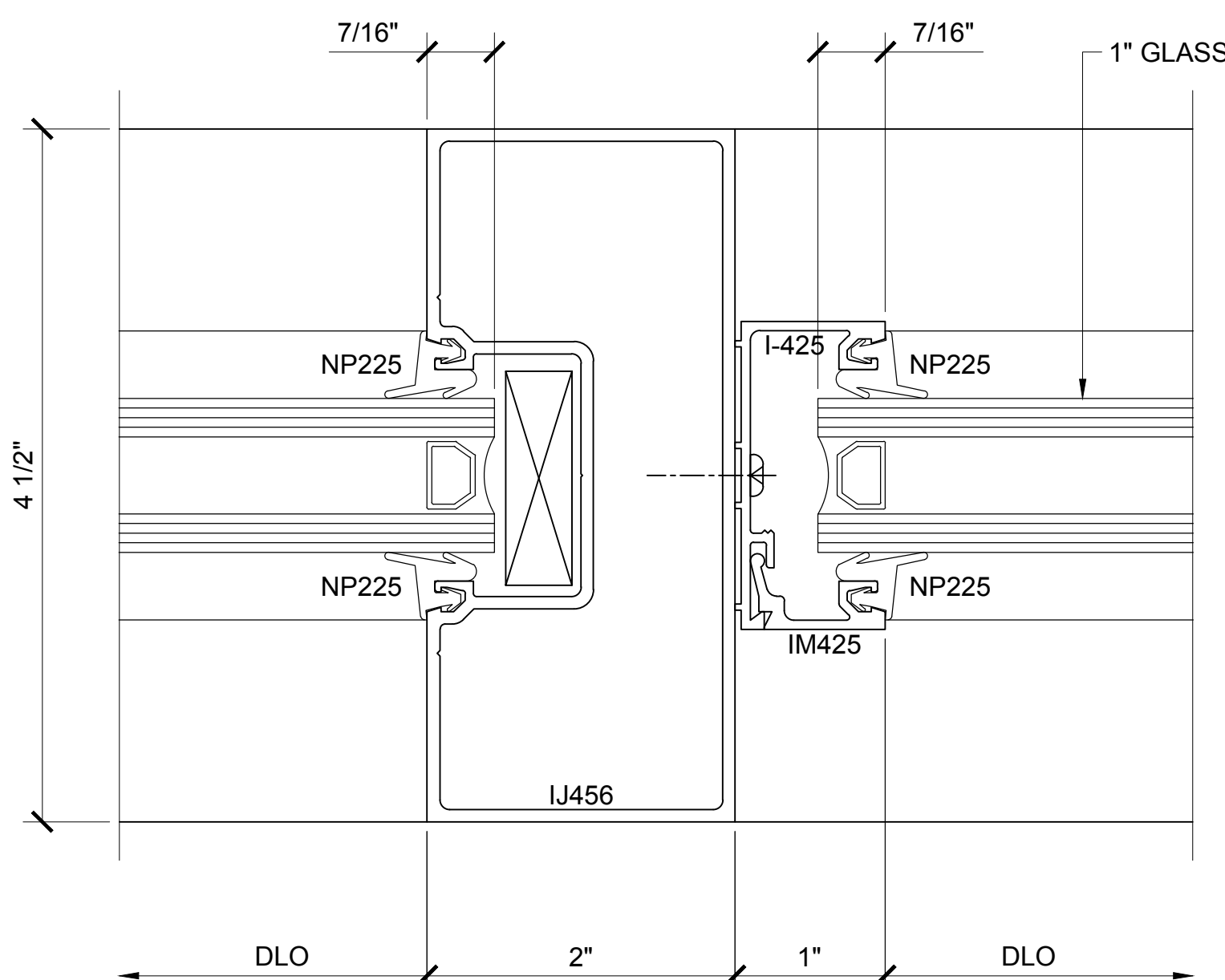
MEDIUM STILE CENTER HUNG SERIES 400 DOOR DETAILS (SHOWN WITH OPTIONAL SERIES 451 STOREFRONT SYSTEM)

Description:
 U.S. ALUMINUM
 MEDIUM STILE SERIES 400
 DOOR SYSTEM

Drawn By: AAD
 Date: 9/21/12
 Scale: AS NOTED
 File Name: 400 MS DRS.dwg
 Sheet

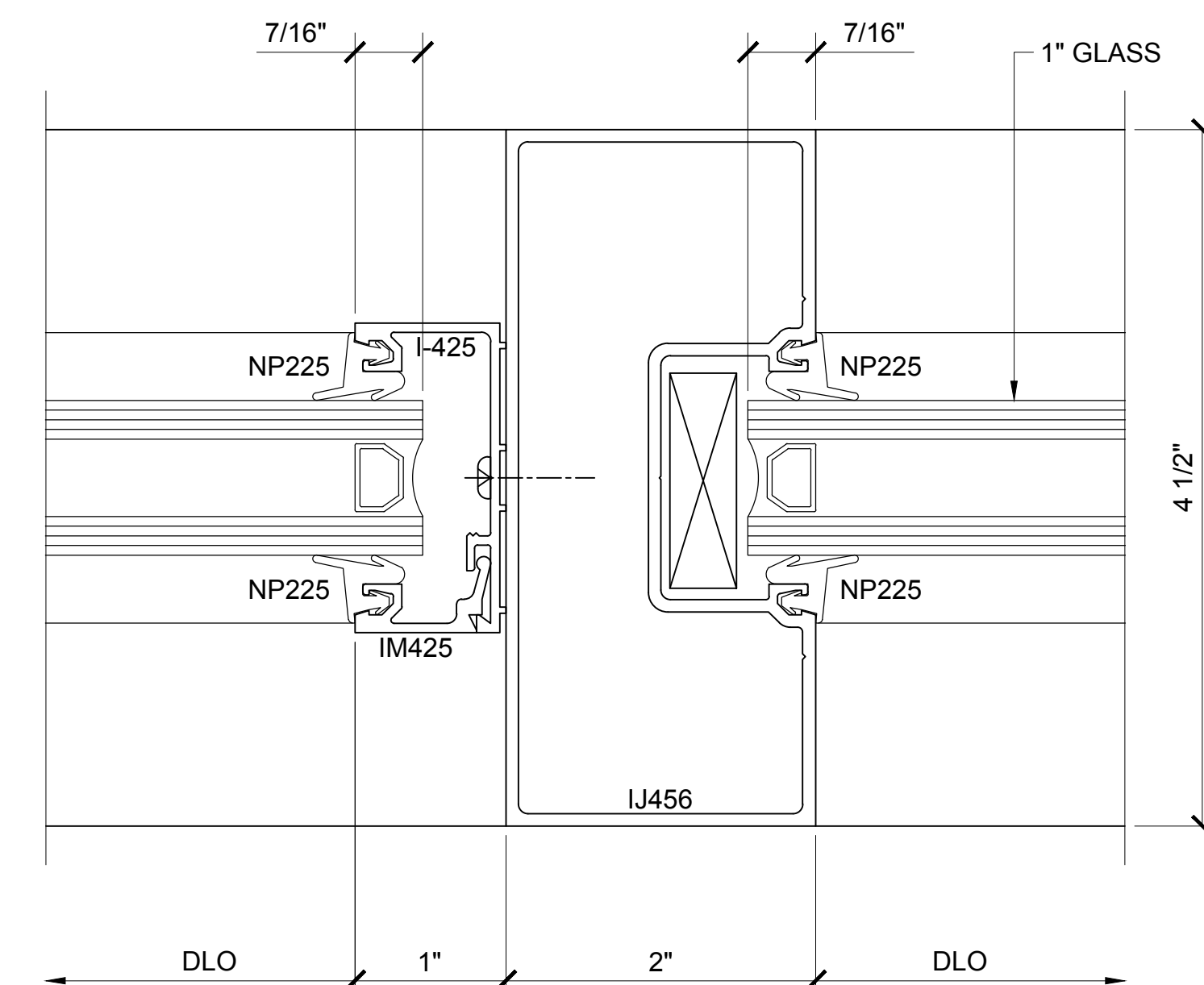
Revisions By:

U.S. ALUMINUM
C.R. LAURENCE CO. ARCHITECTURAL PRODUCTS
2503 E. Vernon Avenue, Los Angeles, CA 90058-1897
PH (800)-421-6144 FX (800)-587-7501 www.crlaurence.com



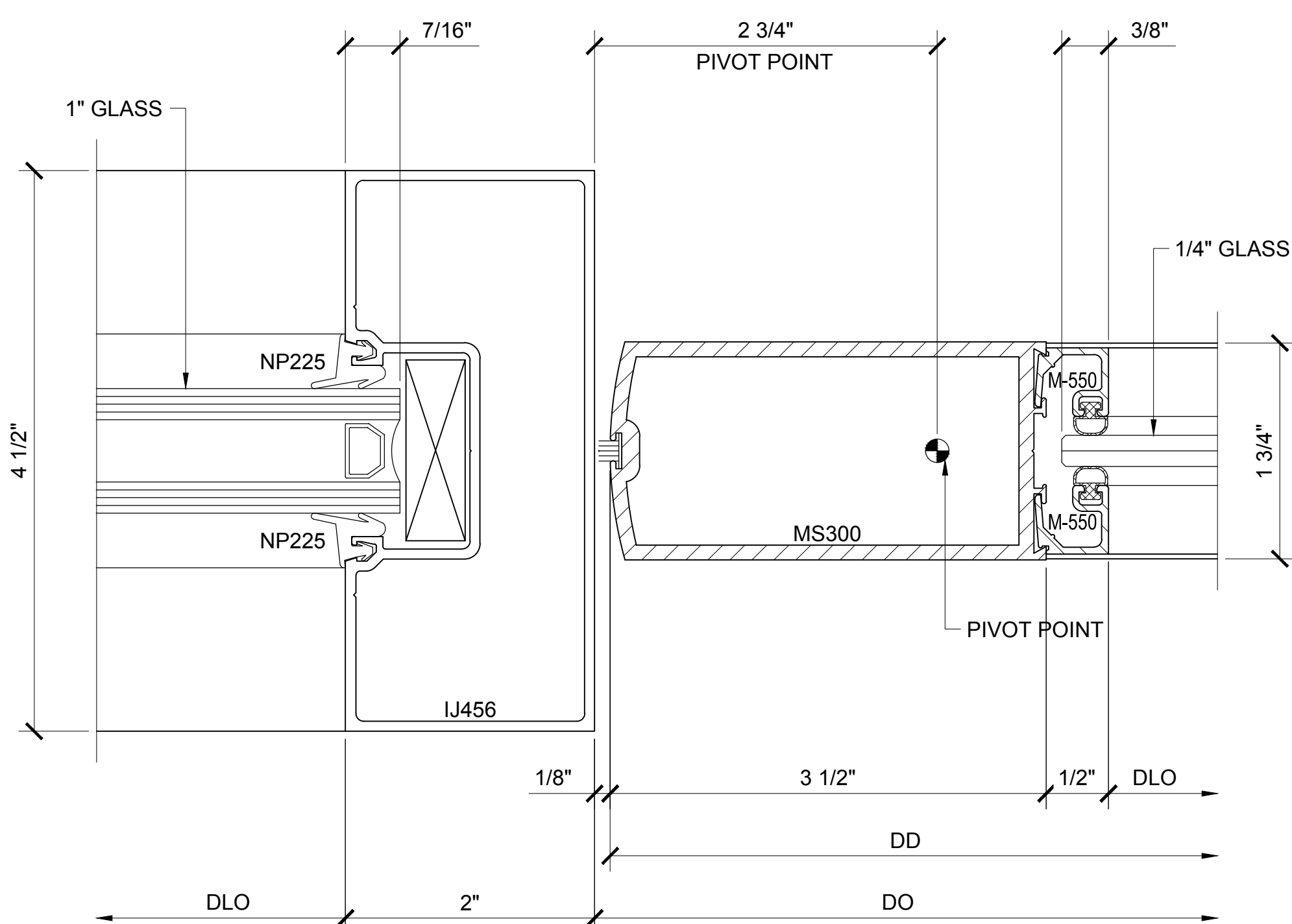
SECTION DETAIL @ VERTICAL

7



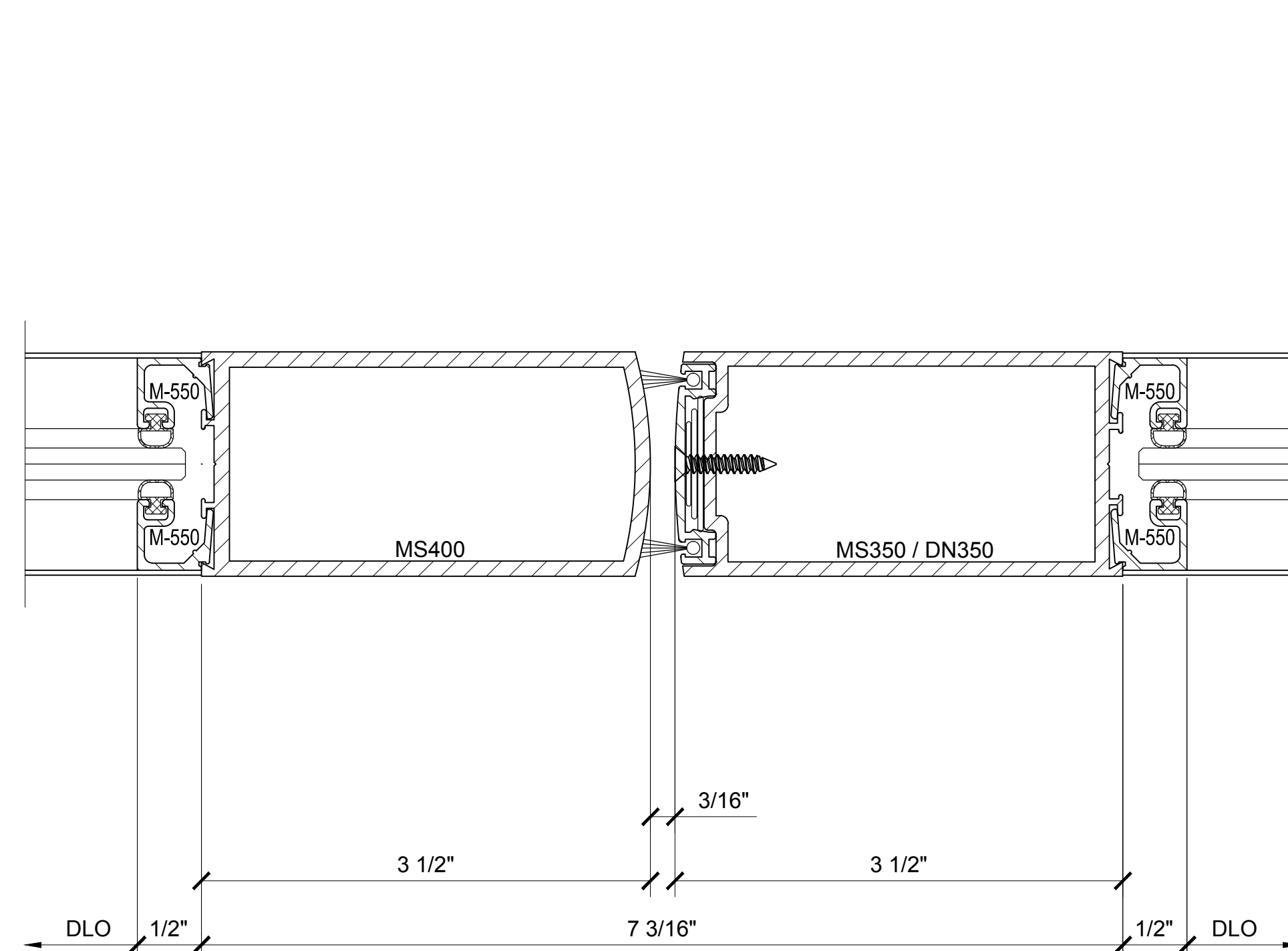
SECTION DETAIL @ VERTICAL

10



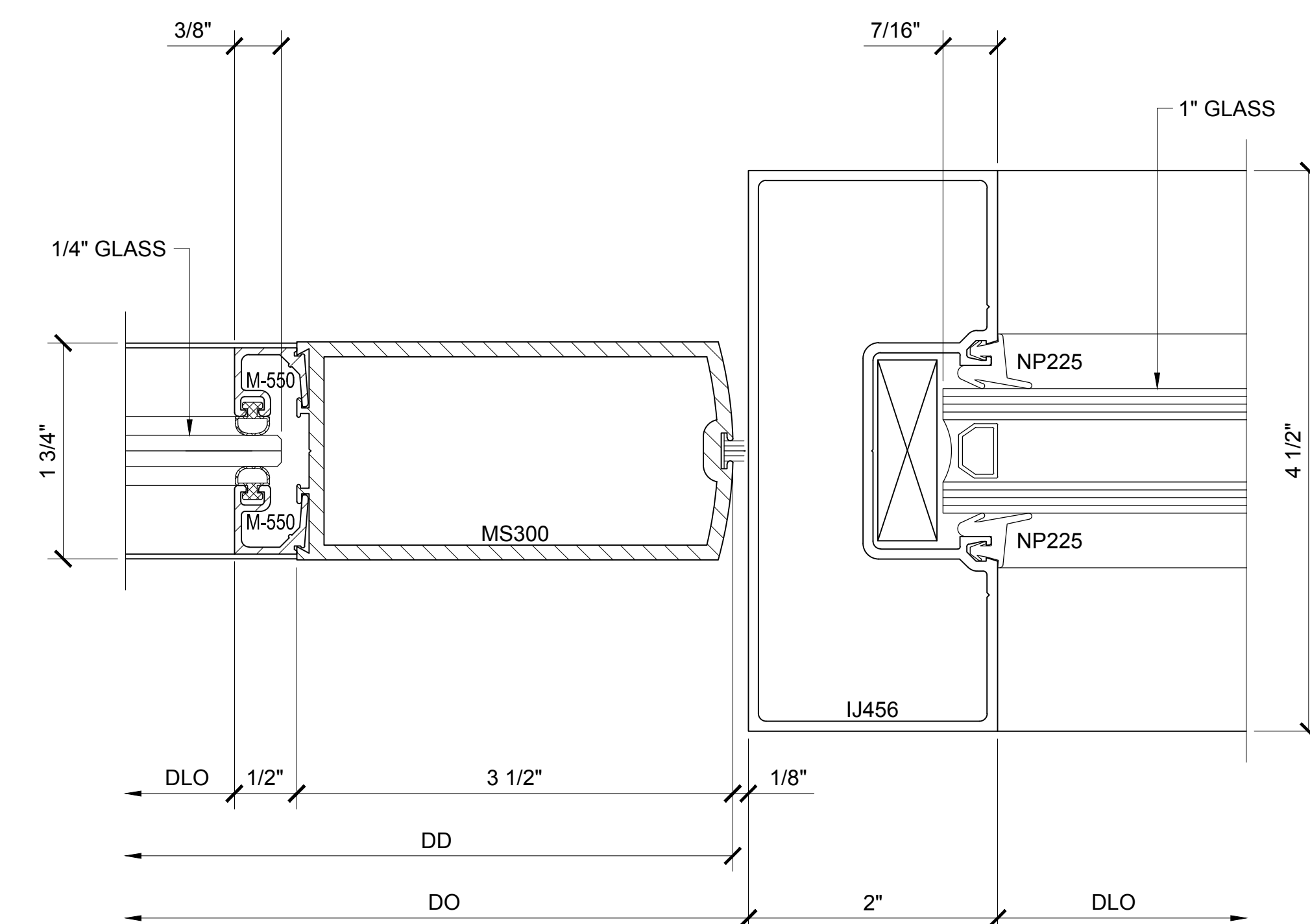
SECTION DETAIL @ DOOR JAMB

8



SECTION DETAIL @ MEETING STILES

9



SECTION DETAIL @ DOOR JAMB

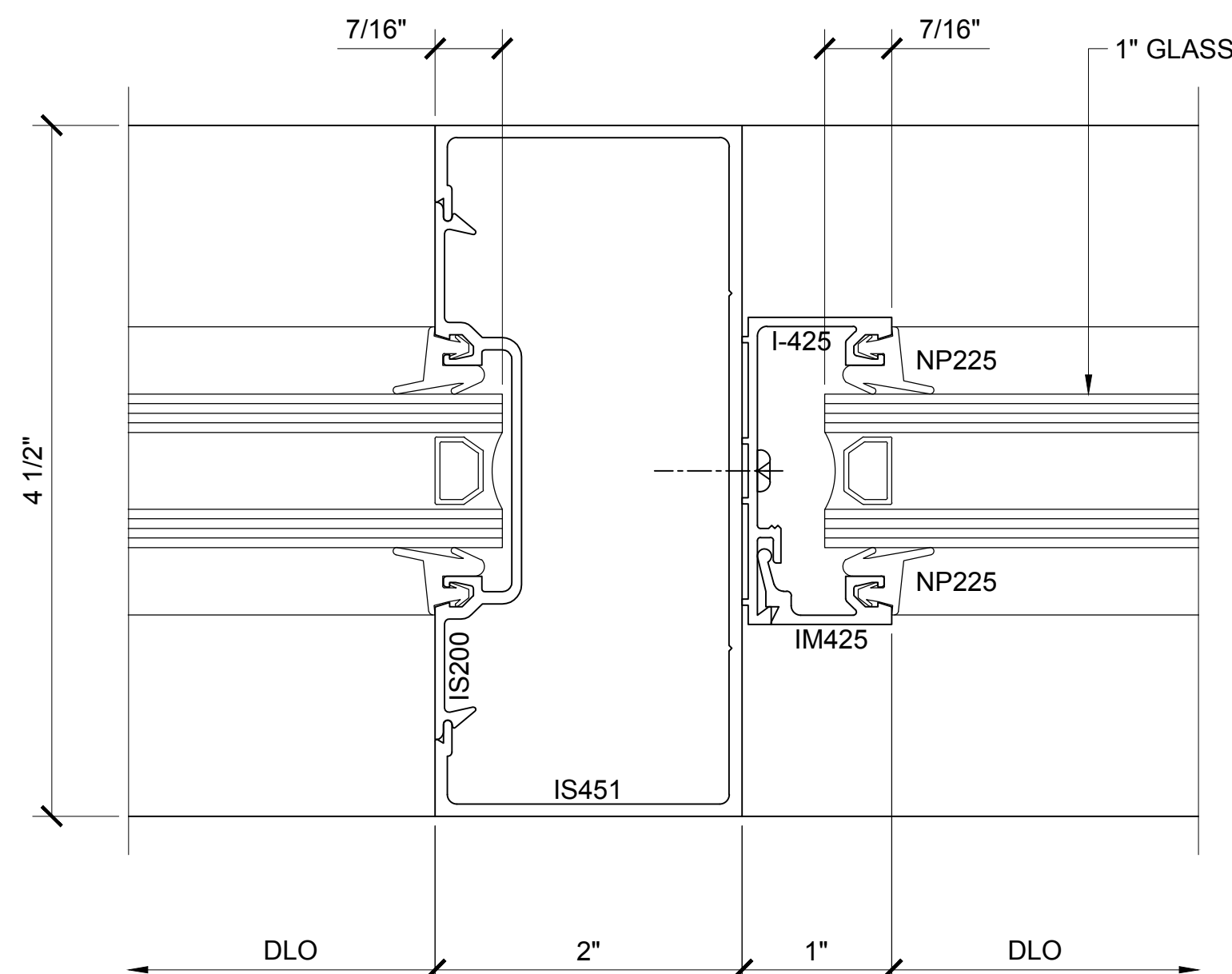
11

MEDIUM STILE CENTER HUNG SERIES 400 DOOR DETAILS (SHOWN WITH OPTIONAL SERIES 451 TUBULAR FRAMING STOREFRONT SYSTEM)

Description:
U.S. ALUMINUM
MEDIUM STILE SERIES 400
DOOR SYSTEM

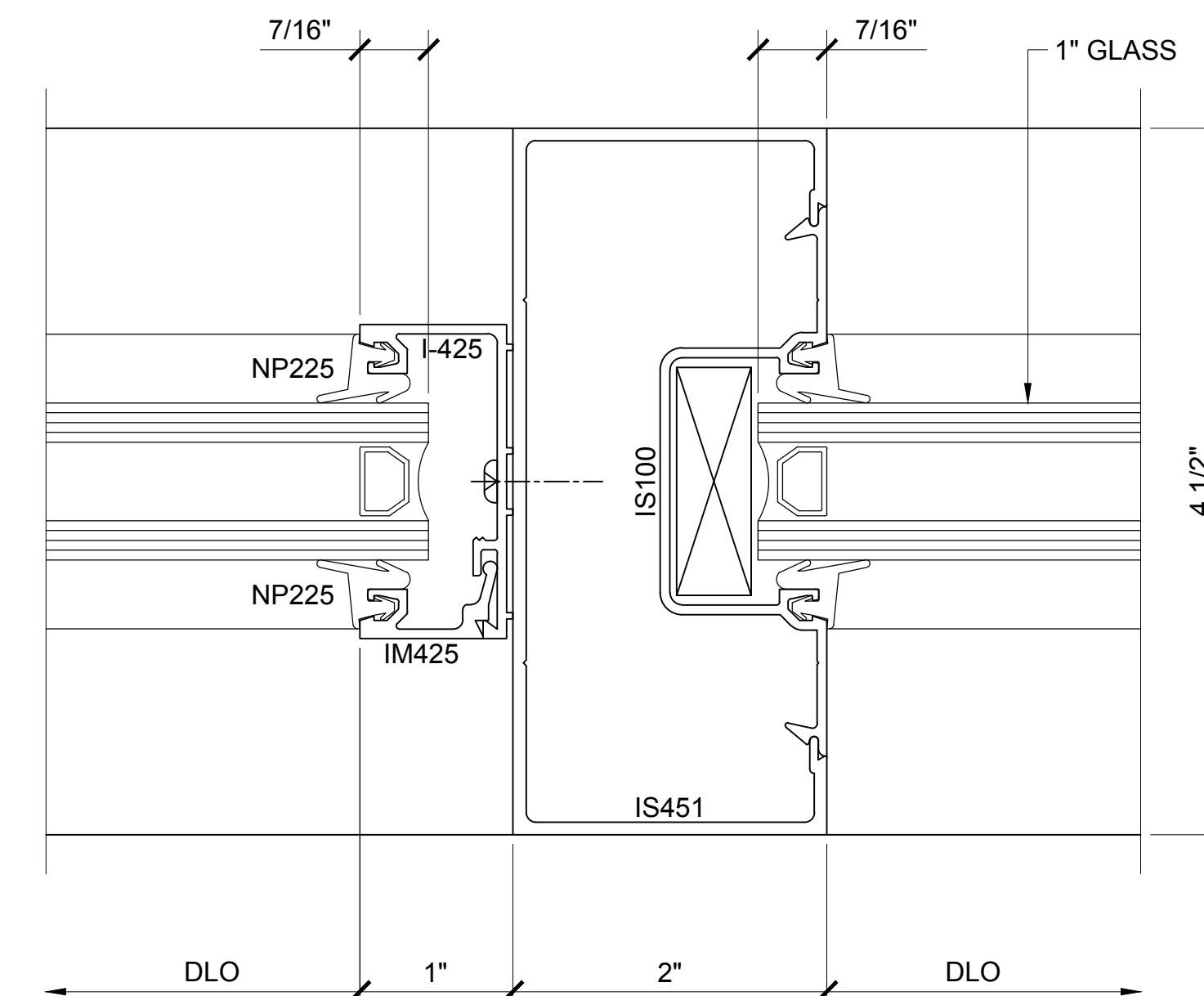
Drawn By: AAD
Date: 9/21/12
Scale: AS NOTED
File Name: 400 MS DRS.dwg

Sheet



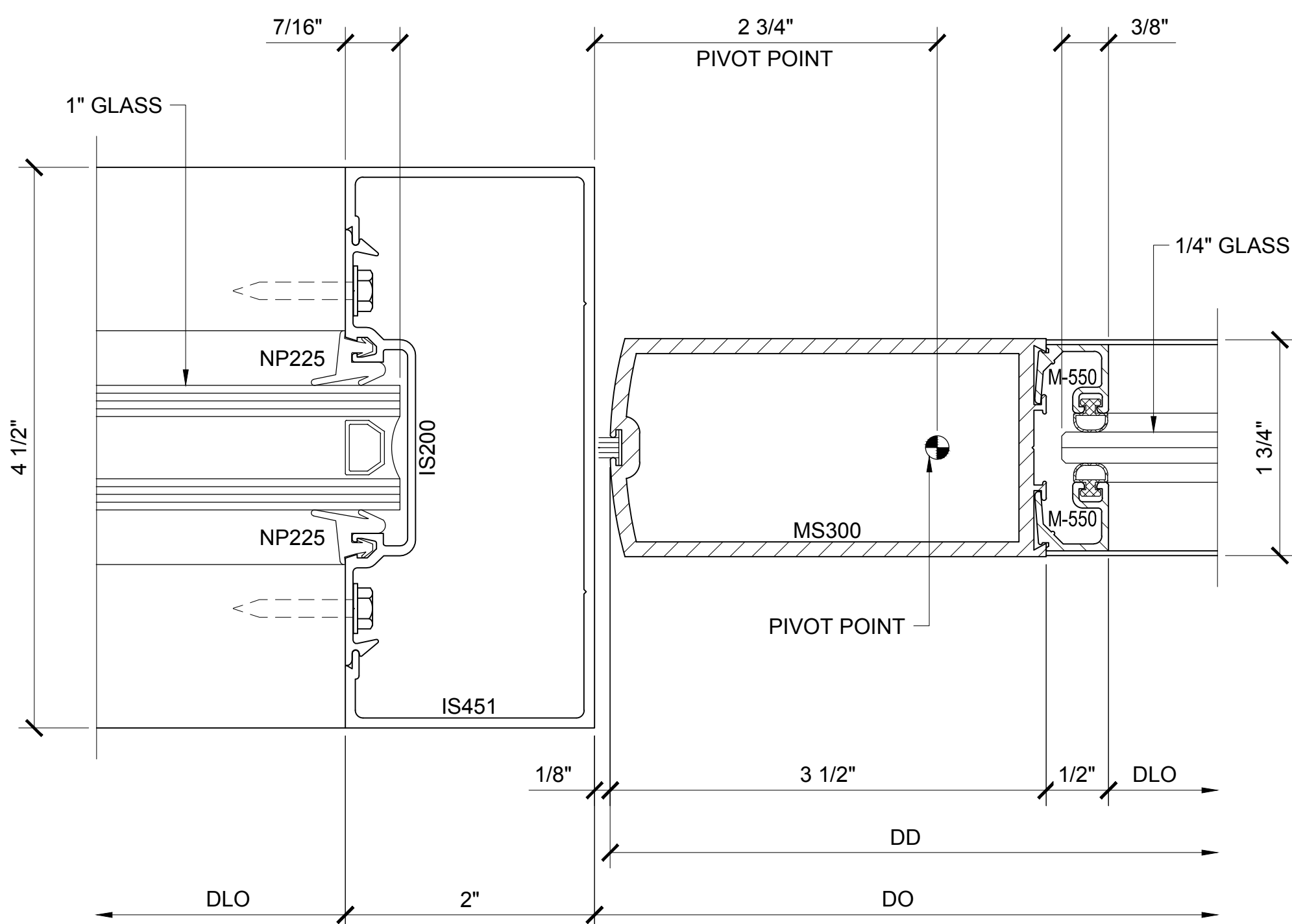
SECTION DETAIL @ VERTICAL

7



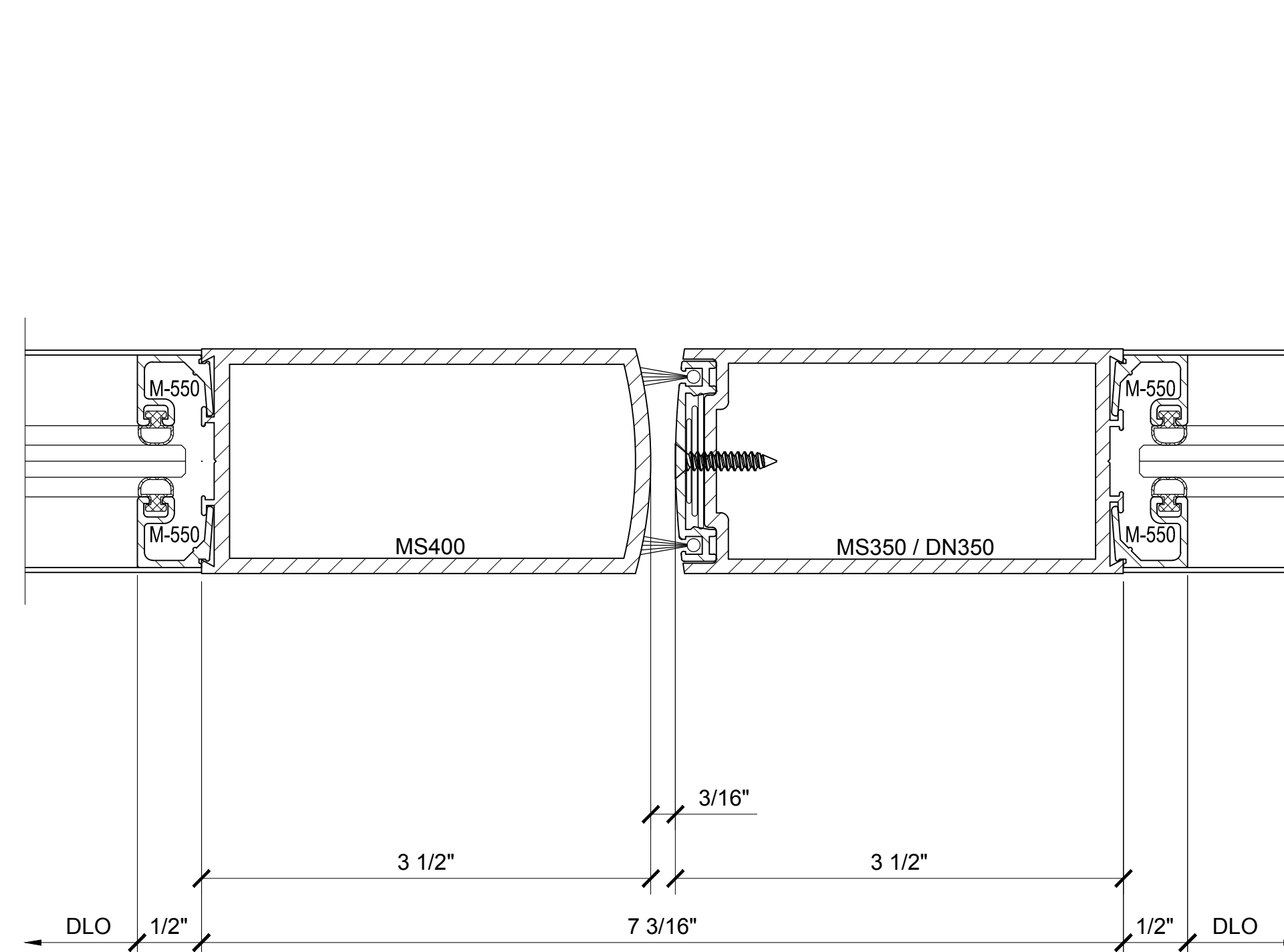
SECTION DETAIL @ VERTICAL

10



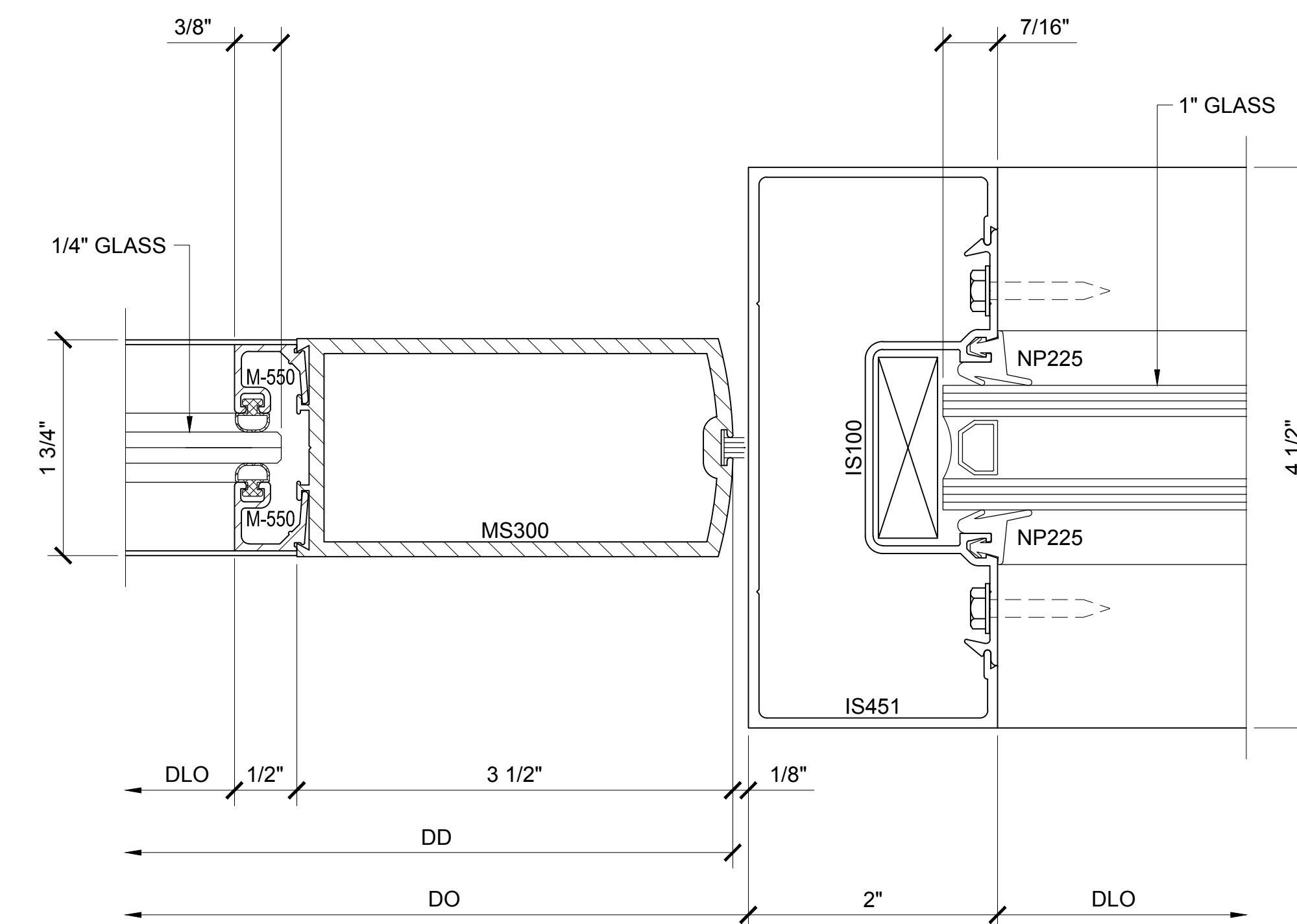
SECTION DETAIL @ DOOR JAMB

8



SECTION DETAIL @ MEETING STILES

9



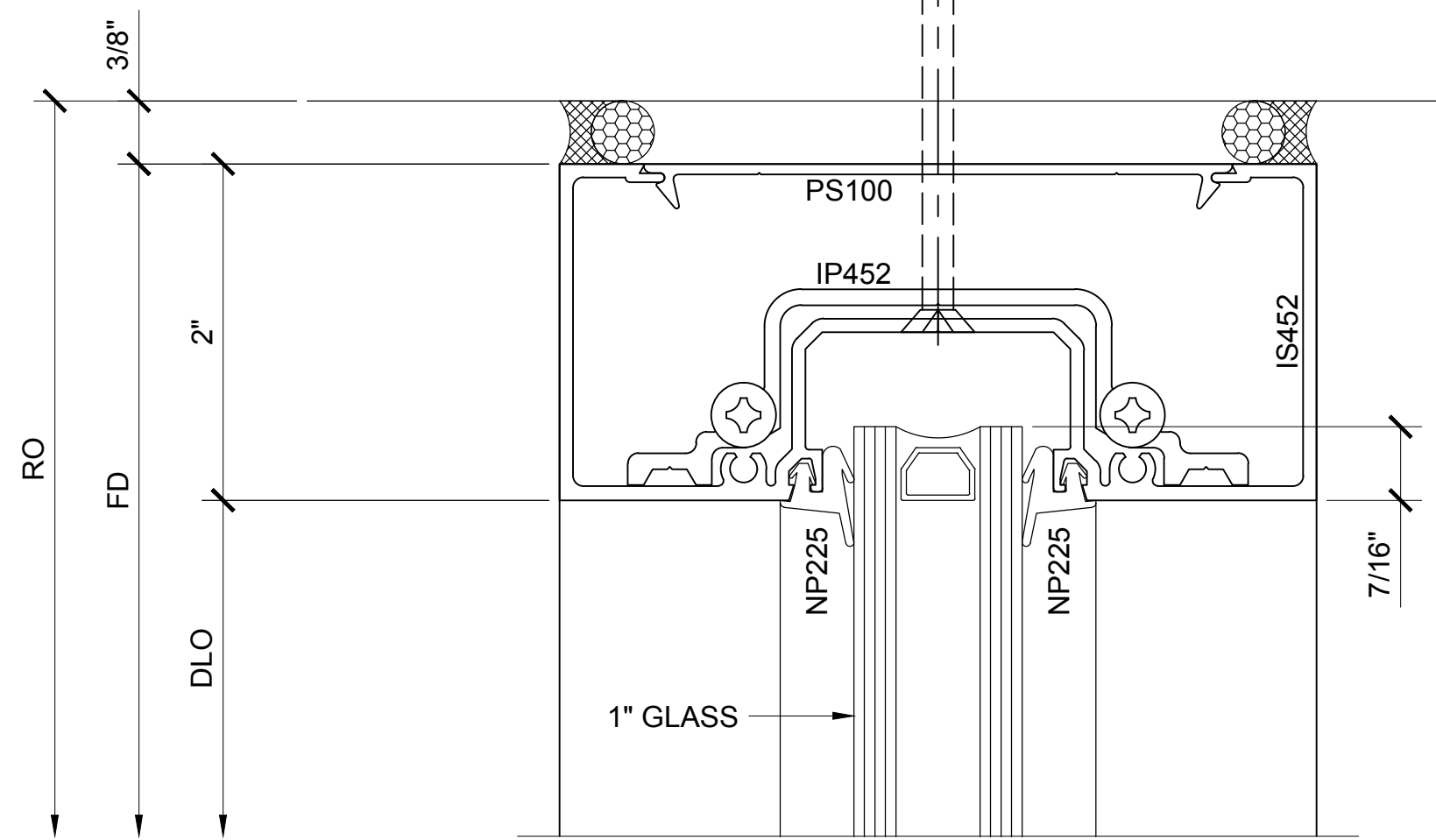
SECTION DETAIL @ DOOR JAMB

11

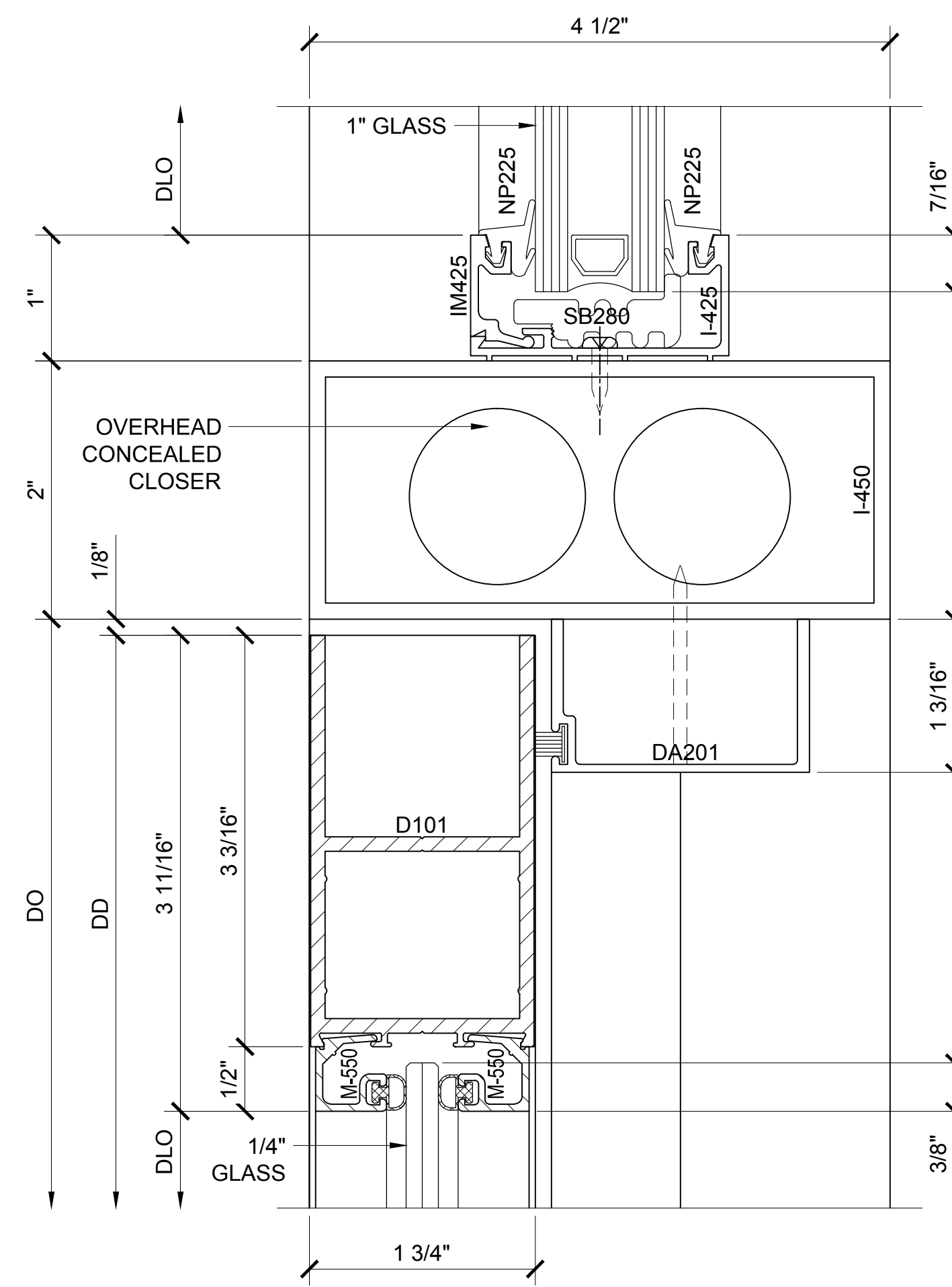
Description:
 U.S. ALUMINUM
 MEDIUM STYLE SERIES 400
 DOOR SYSTEM

Drawn By: AAD
 Date: 9/21/12
 Scale: AS NOTED
 File Name: 400 MS DRS.dwg

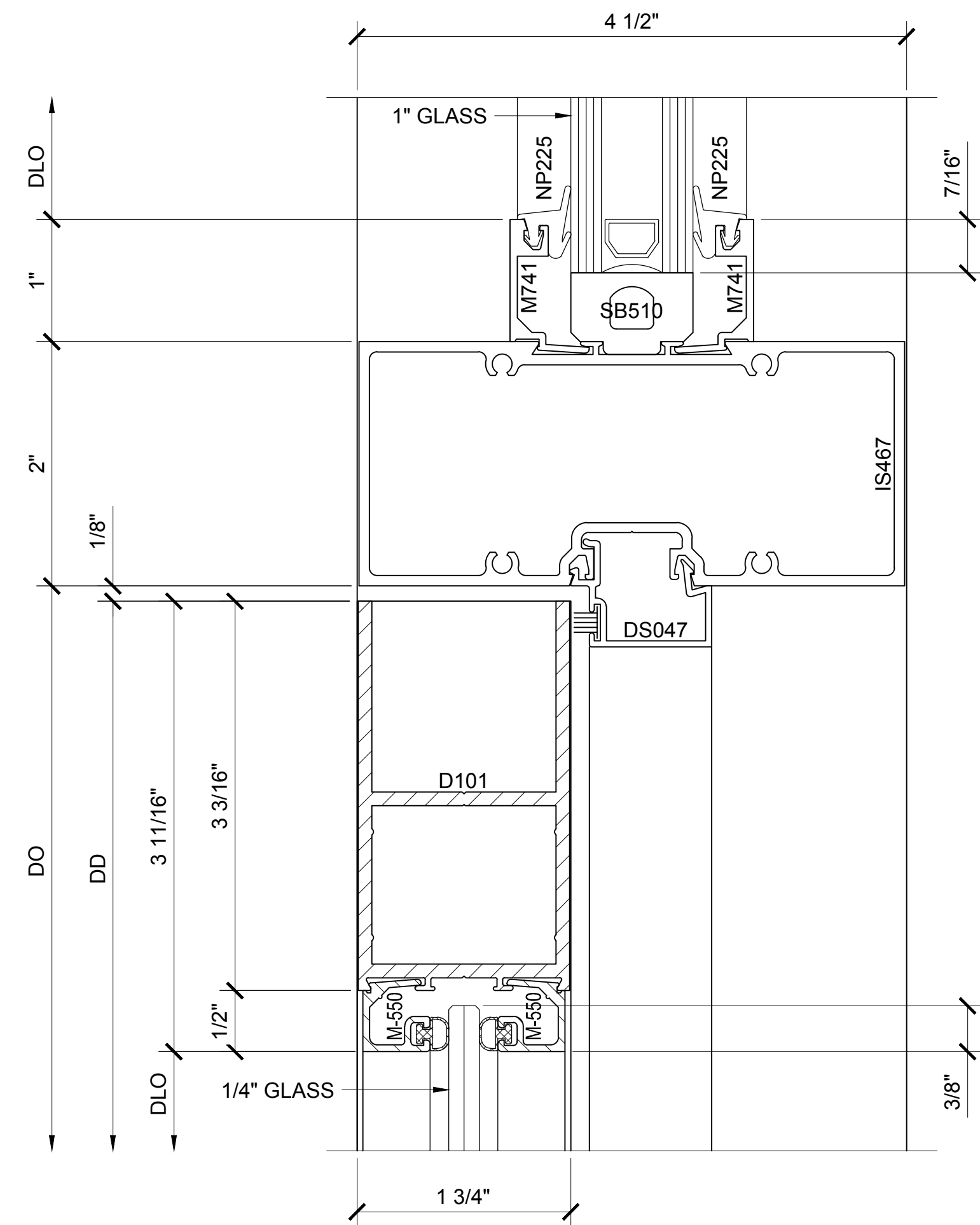
Sheet



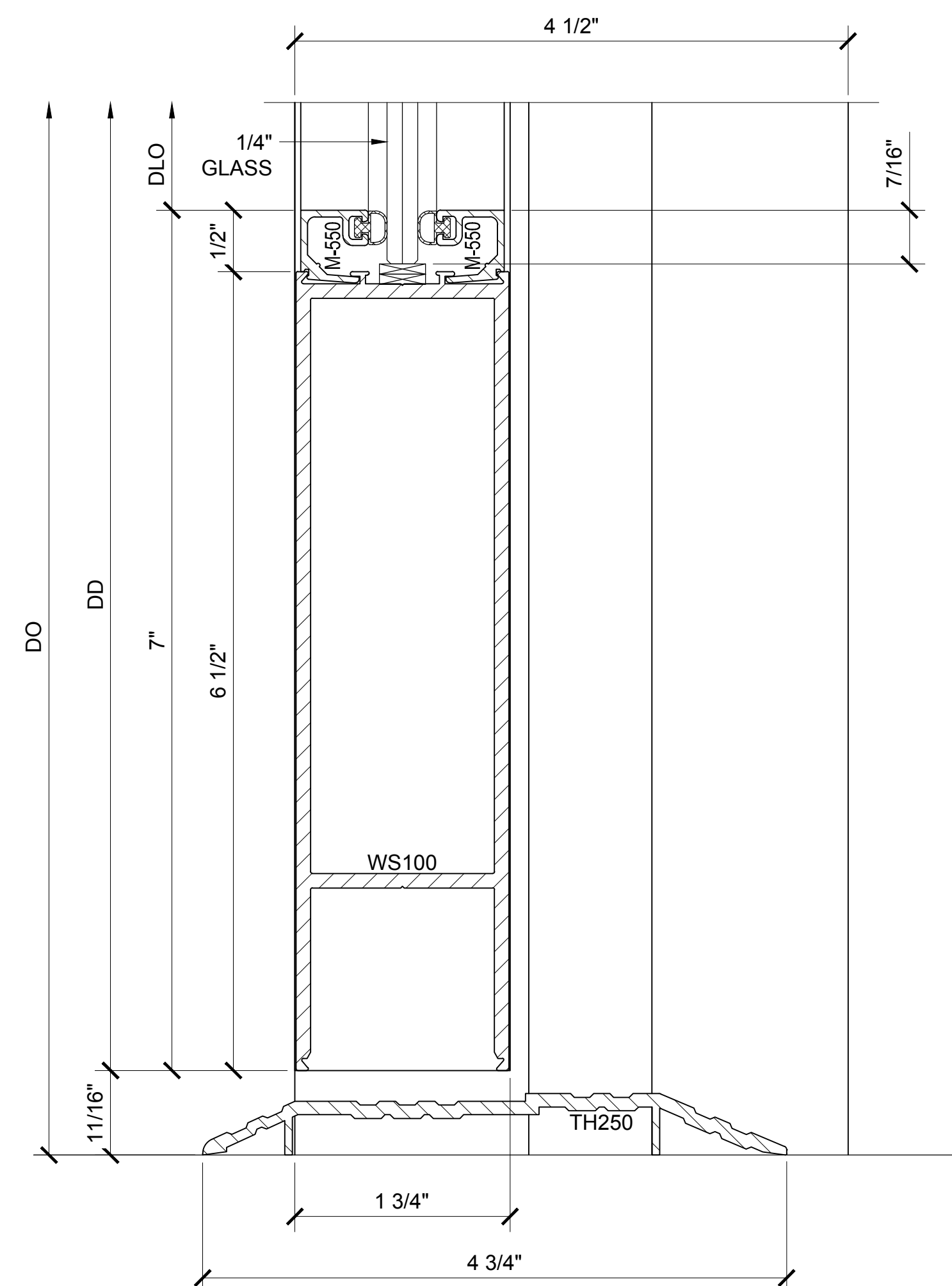
SECTION DETAIL @ STOREFRONT HEAD 12



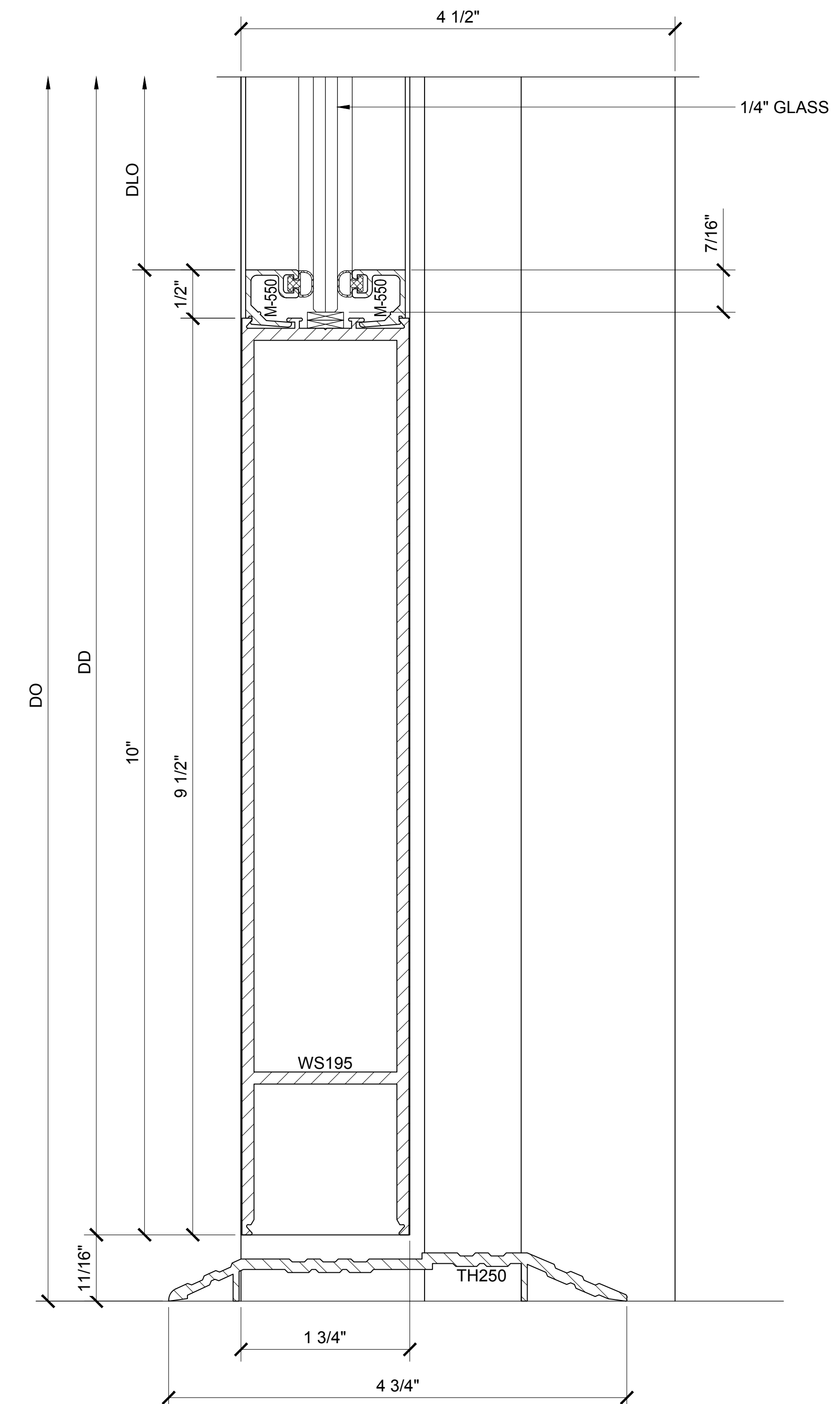
SECTION DETAIL @ DOOR HEAD WITH PIVOT 14



SECTION DETAIL @ DOOR HEAD WITH OHCC 13



SECTION DETAIL @ DOOR SILL 15



SECTION DETAIL @ ADA DOOR SILL 16
(7 1/2" VERSION IS ALSO AVAILABLE)

MEDIUM STILE OFFSET HUNG SERIES 400 DOOR DETAILS (SHOWN WITH OPTIONAL SERIES 451 STOREFRONT SYSTEM)

Revisions By:



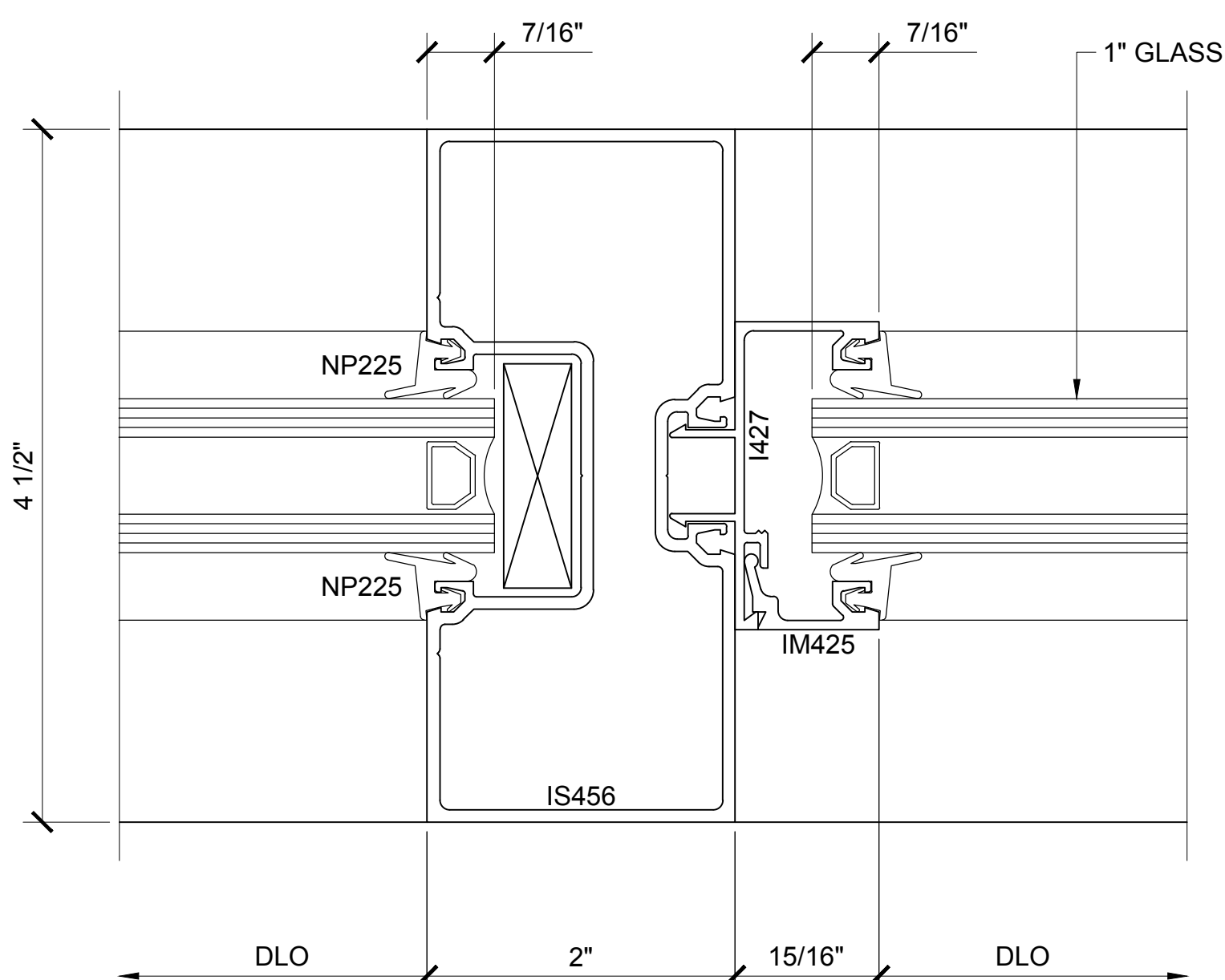
Description:
U.S. ALUMINUM
MEDIUM STILE SERIES 400
DOOR SYSTEM

Drawn By: AAD
Date: 9/21/12
Scale: AS NOTED
File Name: 400 MS DRS.dwg

Sheet

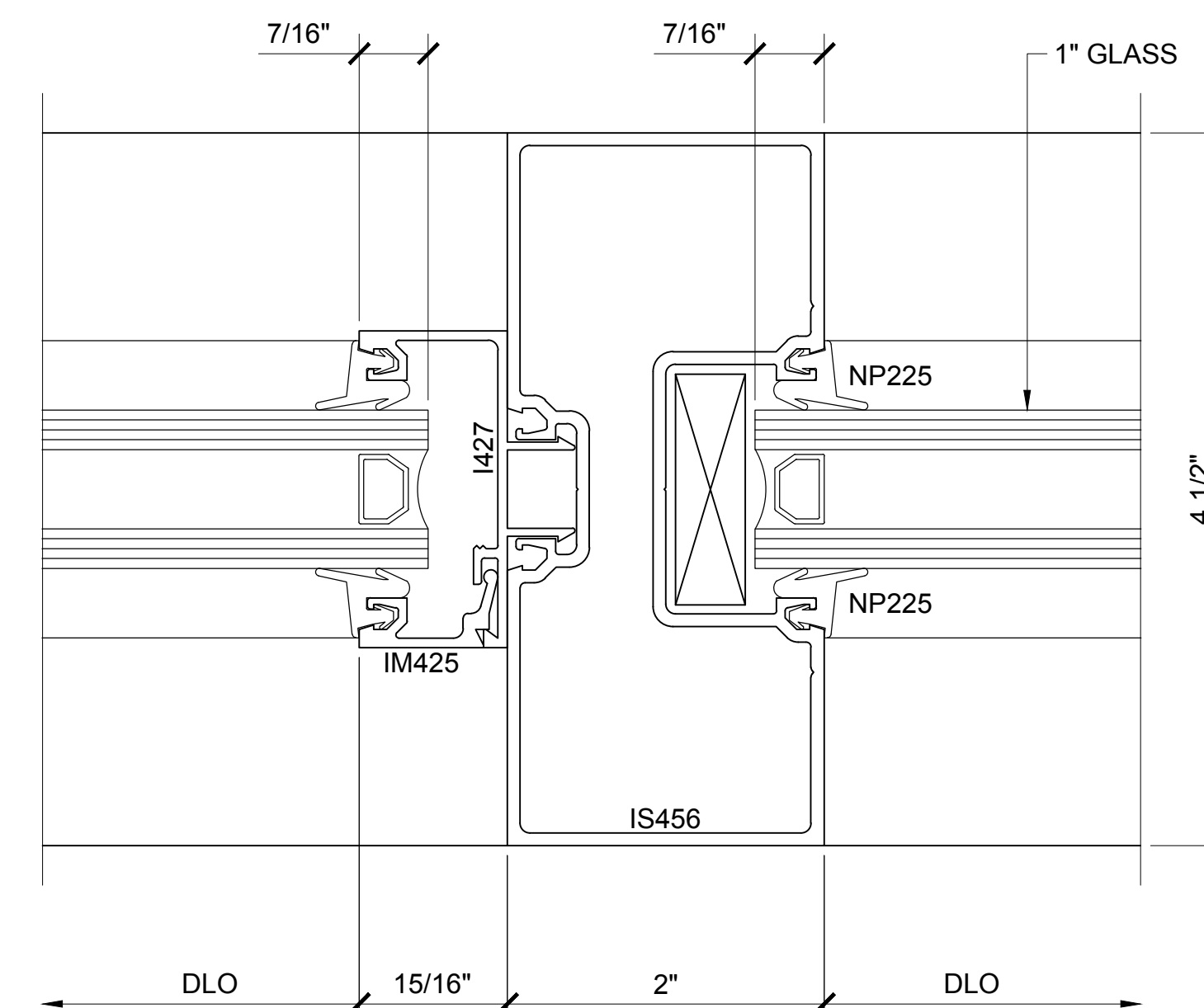
Revisions By:

U.S. ALUMINUM
C.R. LAURENCE CO. ARCHITECTURAL PRODUCTS
2503 E. Vernon Avenue, Los Angeles, CA 90058-1897
PH: (800)-421-4144 FX: (800)-587-7501 www.crlaurence.com



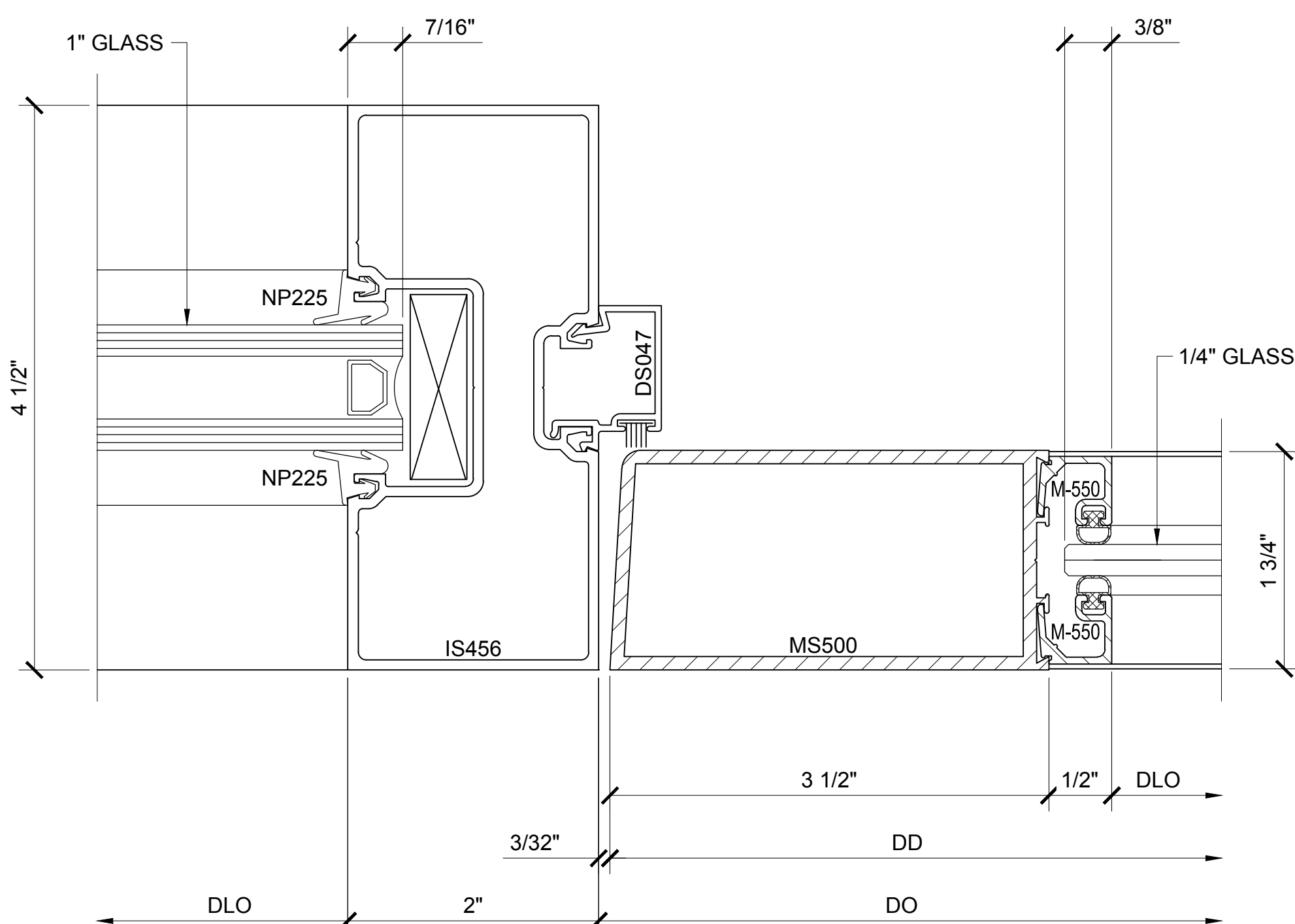
SECTION DETAIL @ VERTICAL

17



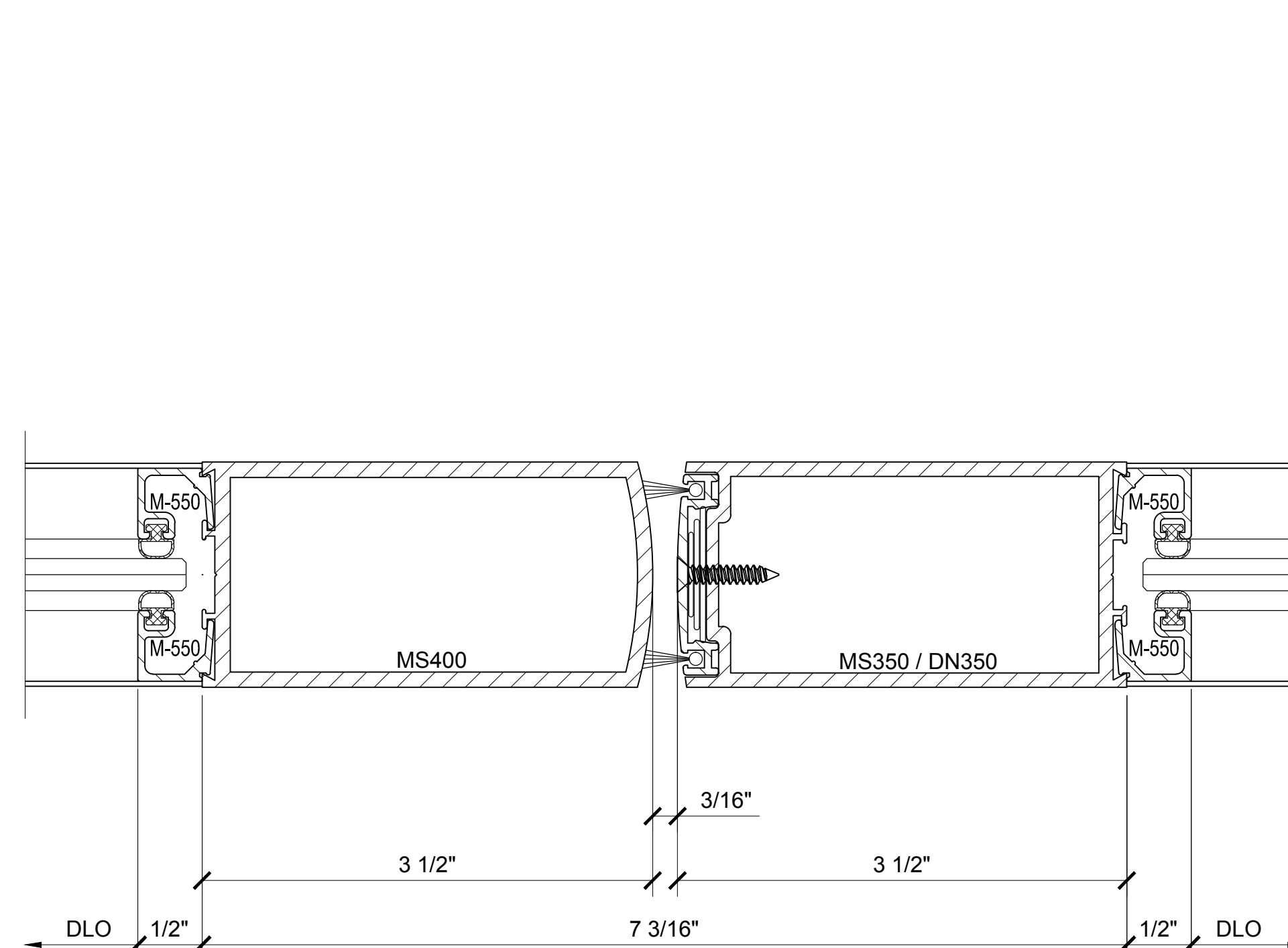
SECTION DETAIL @ VERTICAL

20



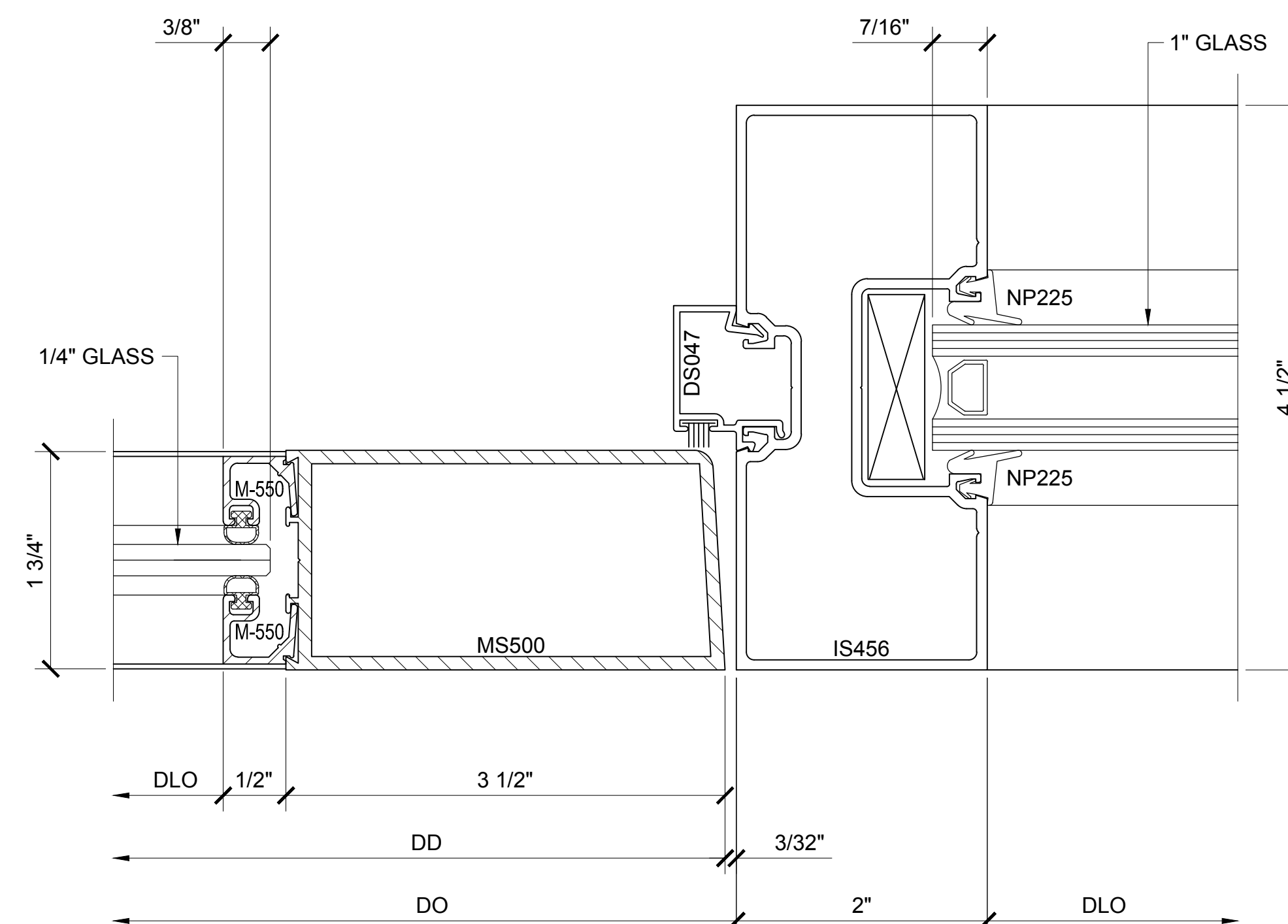
SECTION DETAIL @ DOOR JAMB

18



SECTION DETAIL @ MEETING STILES

19



SECTION DETAIL @ DOOR JAMB

21

Description:
U.S. ALUMINUM
MEDIUM STILE SERIES 400
DOOR SYSTEM

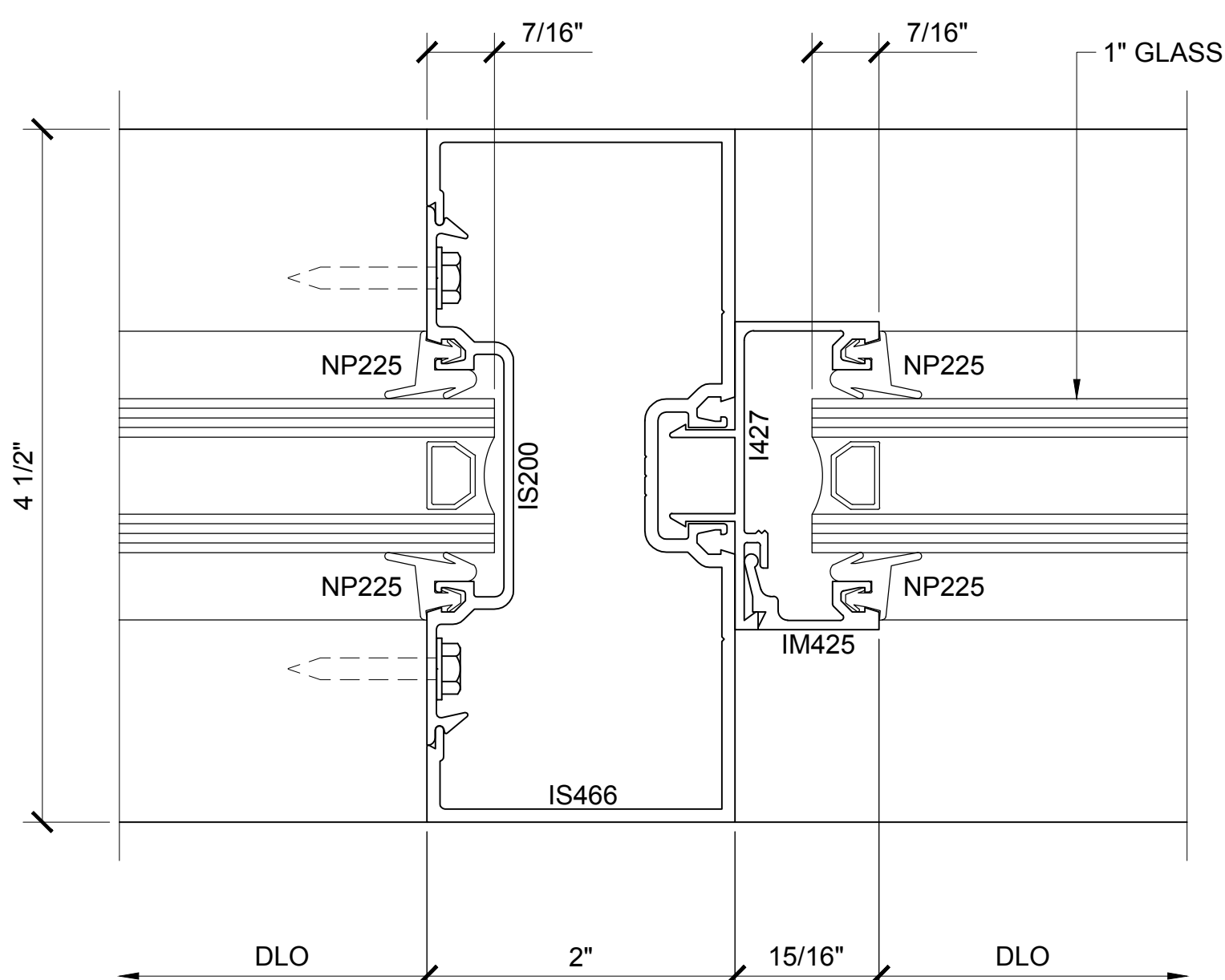
Drawn By: AAD
Date: 9/21/12
Scale: AS NOTED
File Name: 400 MS DRS.dwg

Sheet

MEDIUM STILE OFFSET HUNG SERIES 400 DOOR DETAILS (SHOWN WITH OPTIONAL SERIES 451 TUBULAR FRAMING STOREFRONT SYSTEM)

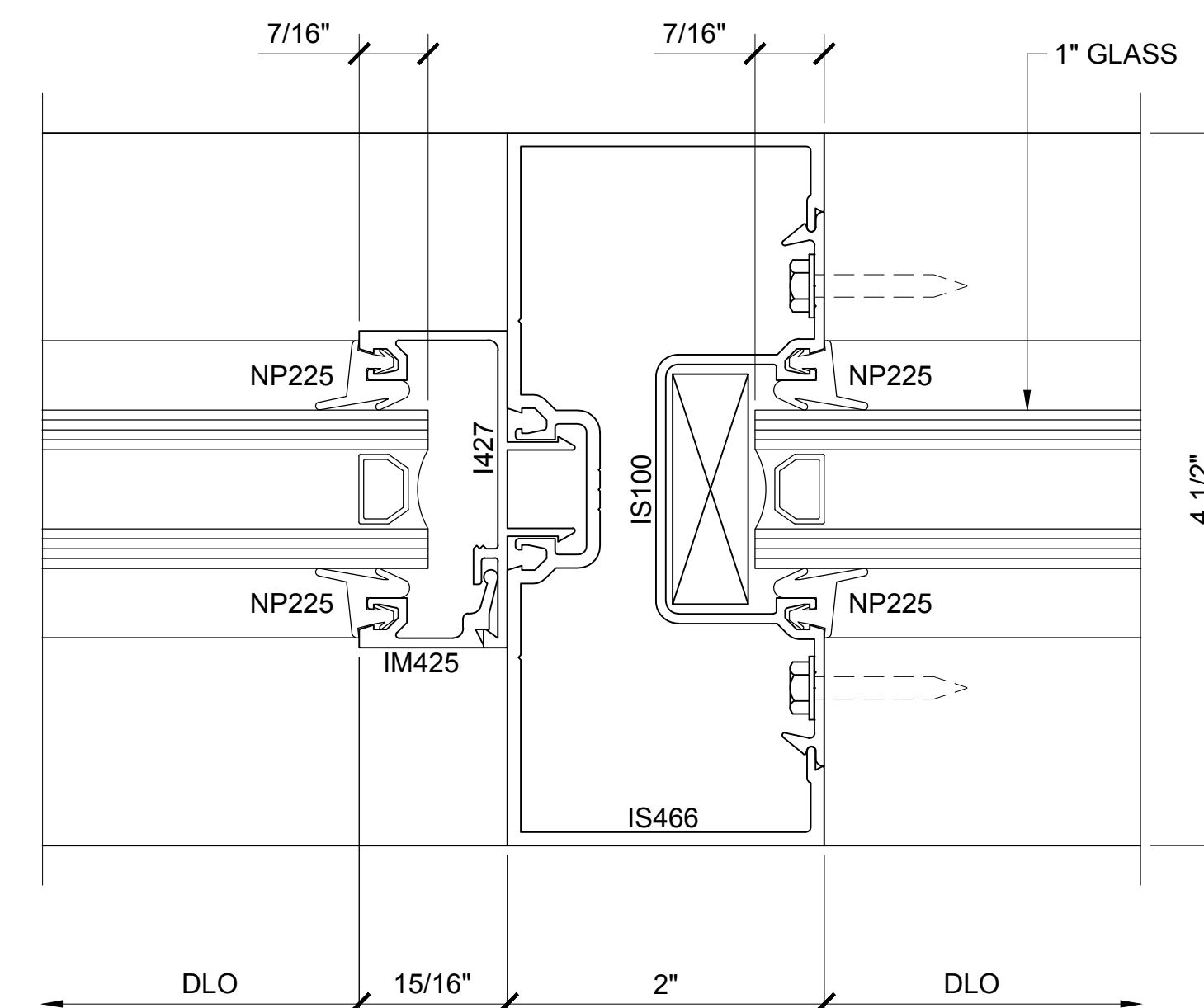
Revisions By:

U.S. ALUMINUM
C.R. LAURENCE CO. ARCHITECTURAL PRODUCTS
2503 E. Vernon Avenue, Los Angeles, CA 90058-1897
PH: (800)-421-4144 FX: (800)-587-7501 www.crlaurence.com



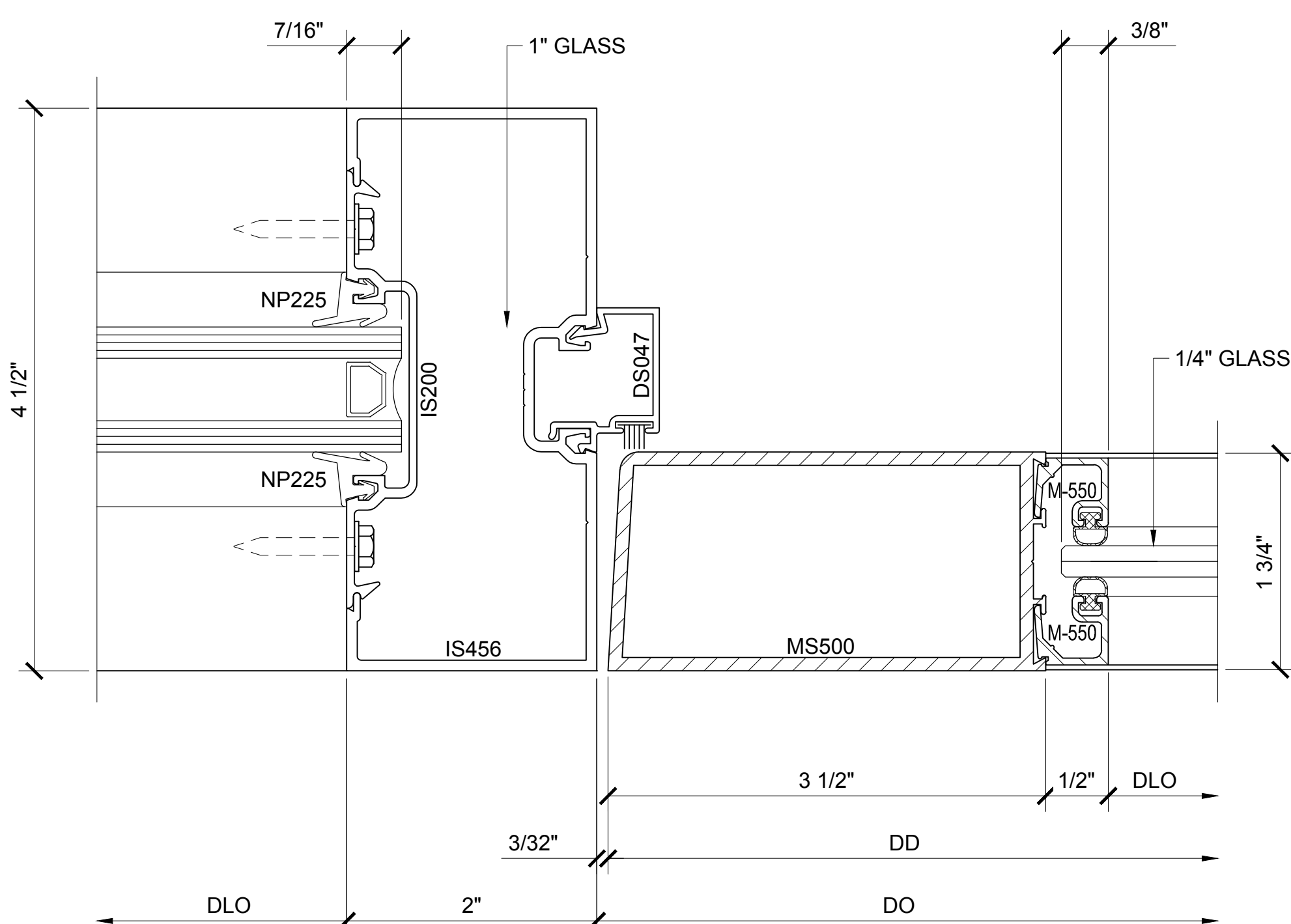
SECTION DETAIL @ VERTICAL

17



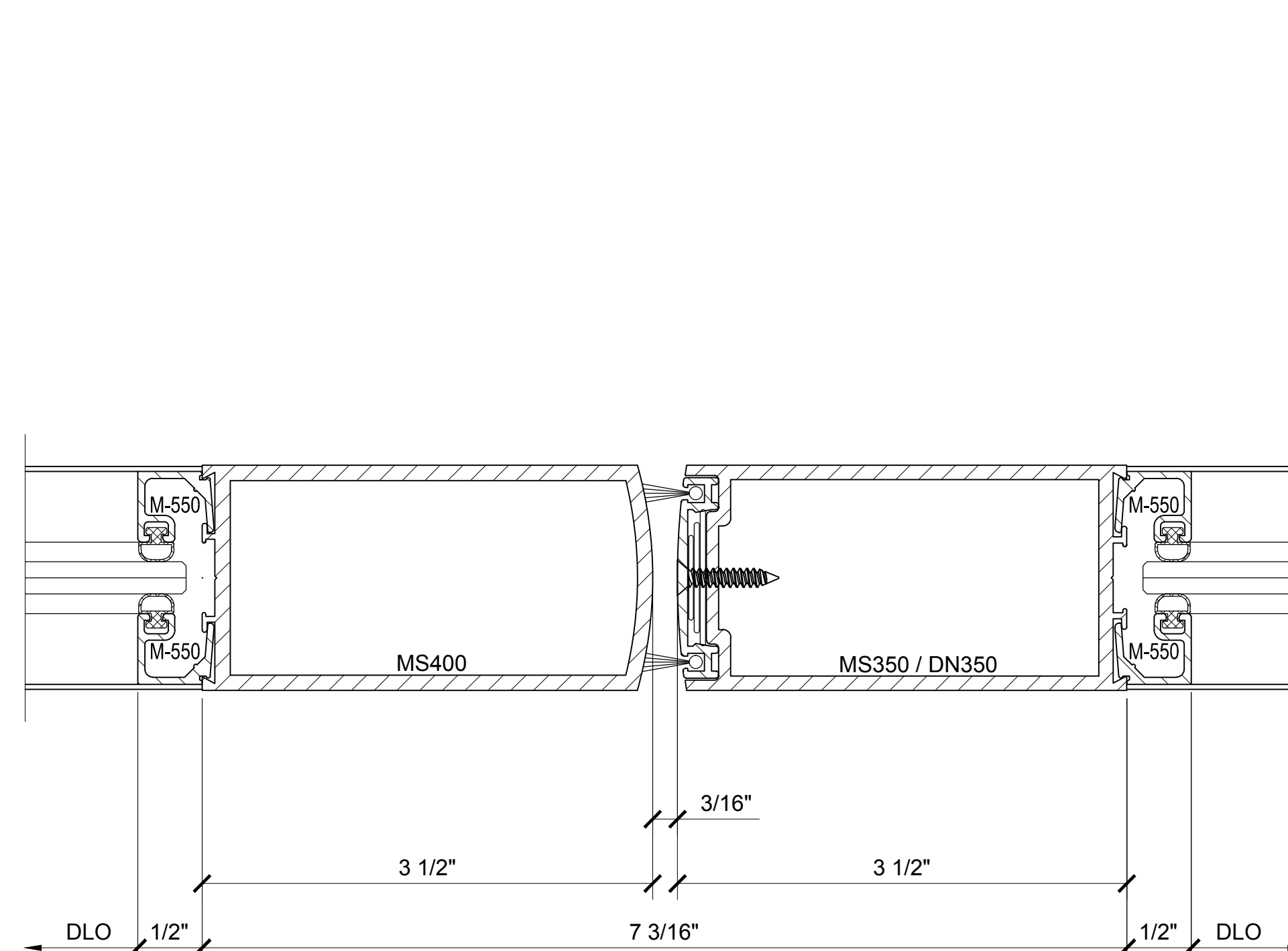
SECTION DETAIL @ VERTICAL

20



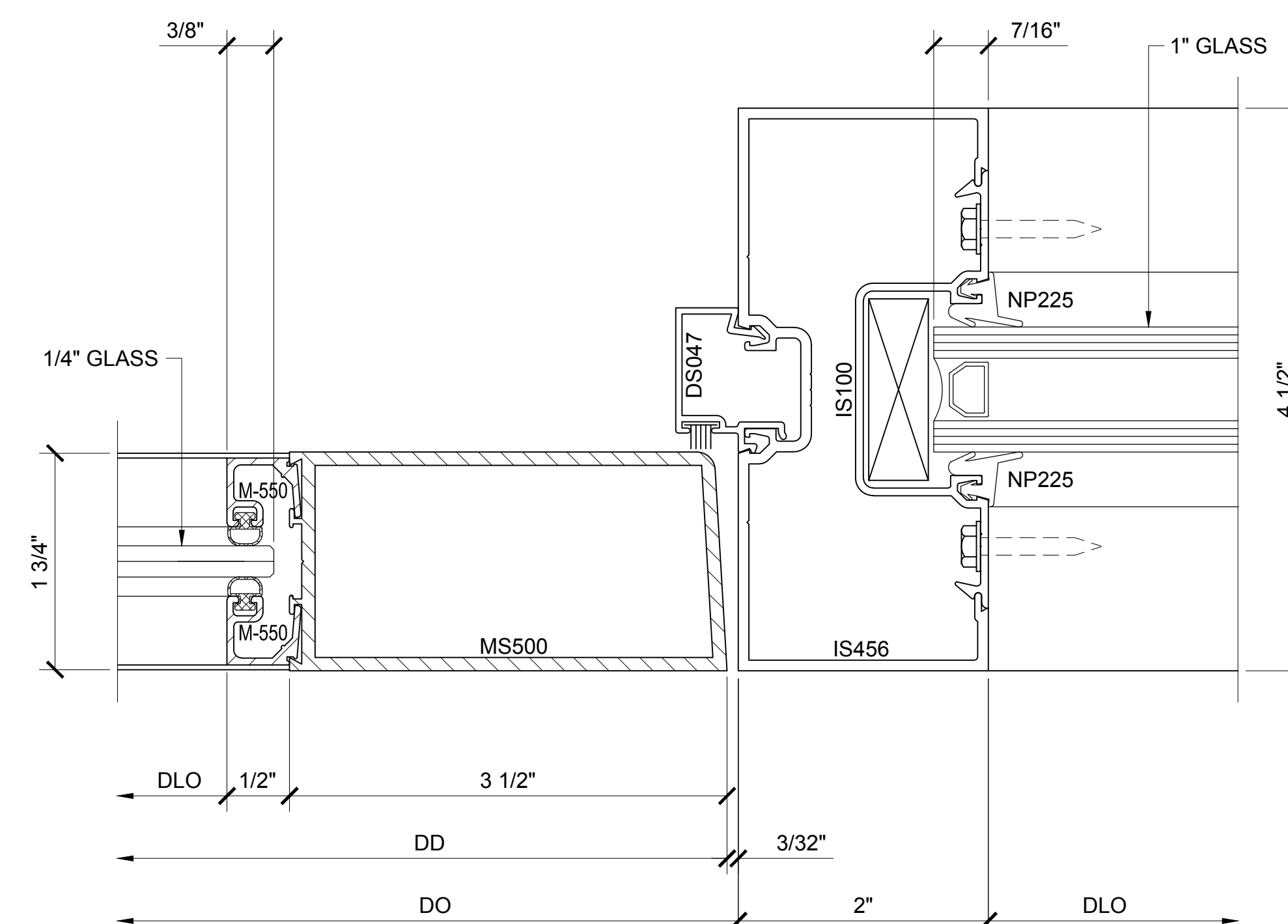
SECTION DETAIL @ DOOR JAMB

18



SECTION DETAIL @ MEETING STILES

19



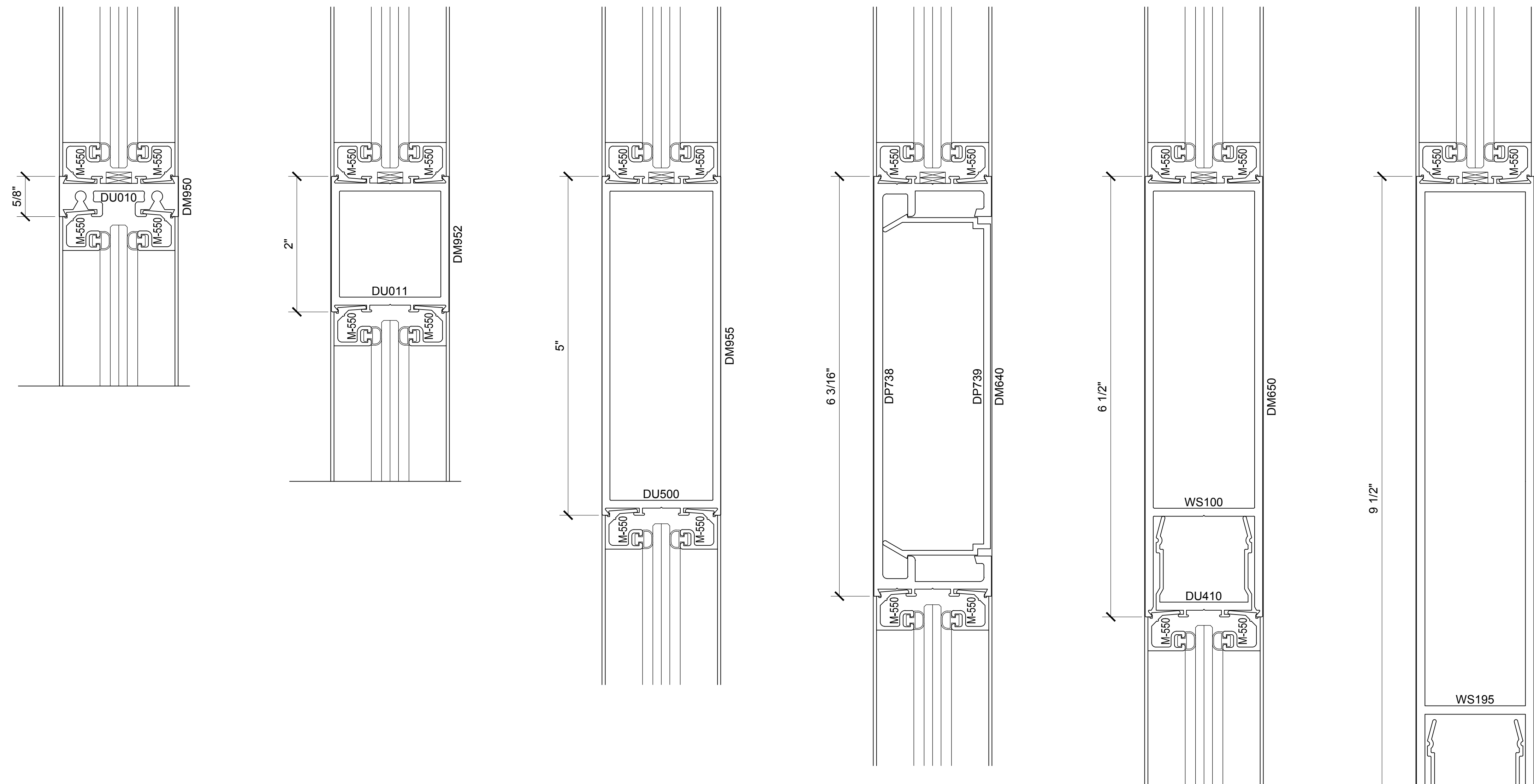
SECTION DETAIL @ DOOR JAMB

21

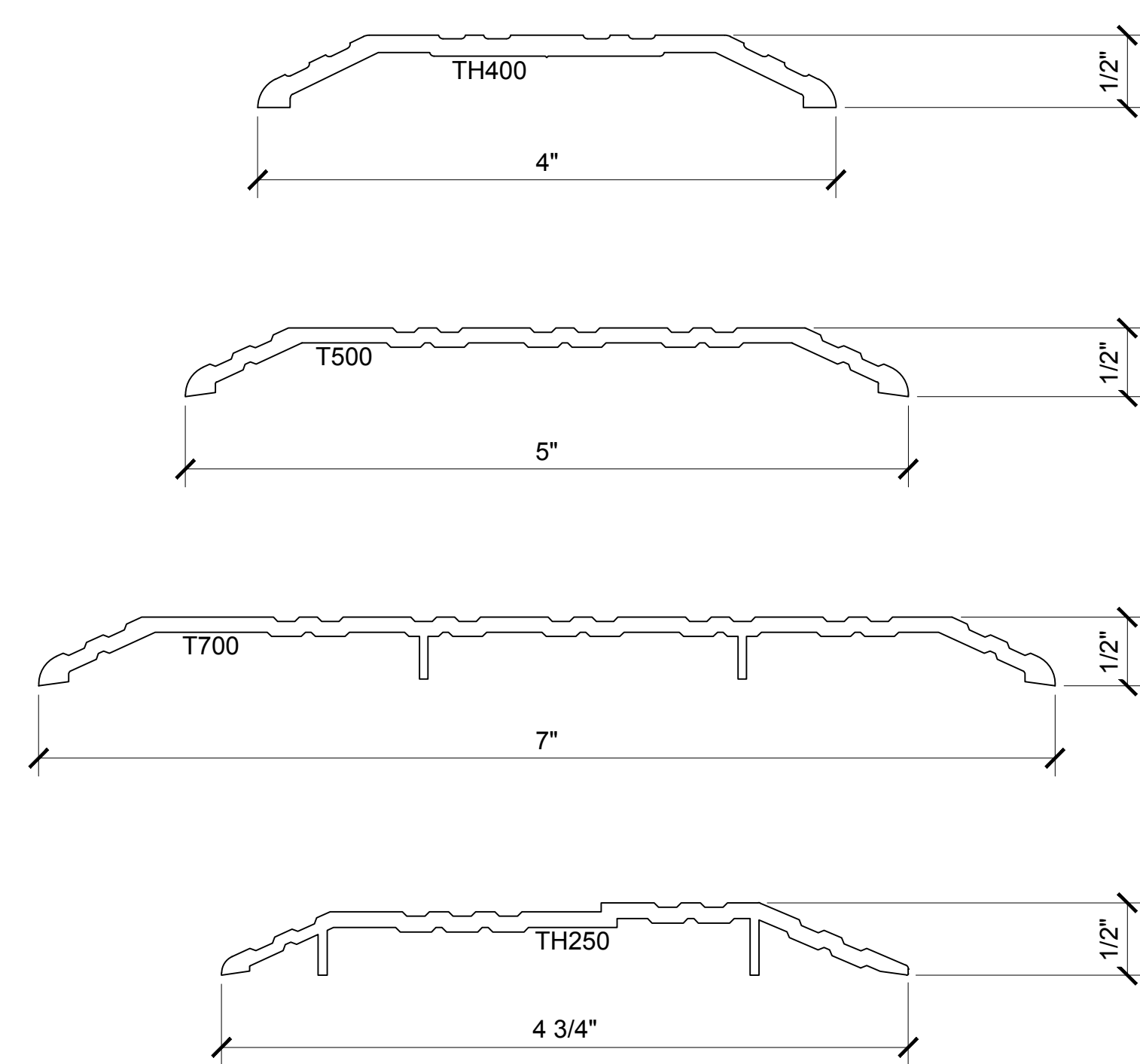
Description:
U.S. ALUMINUM
MEDIUM STILE SERIES 400
DOOR SYSTEM

Drawn By: AAD
Date: 9/21/12
Scale: AS NOTED
File Name: 400 MS DRS.dwg

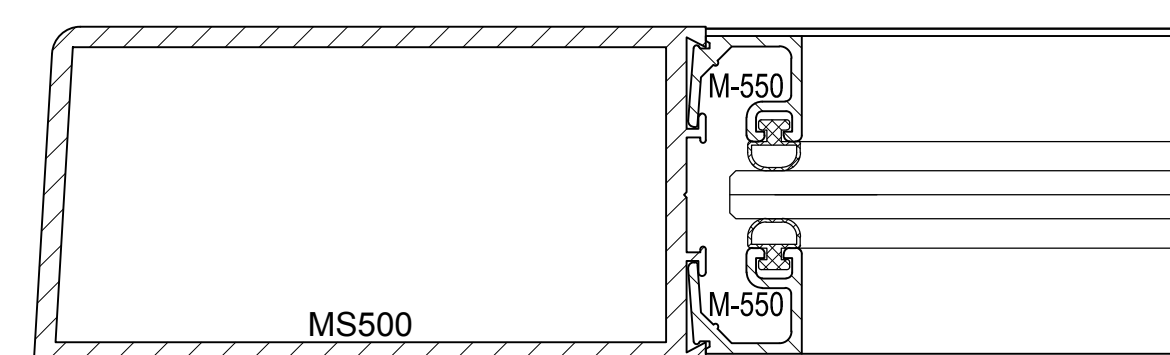
Sheet



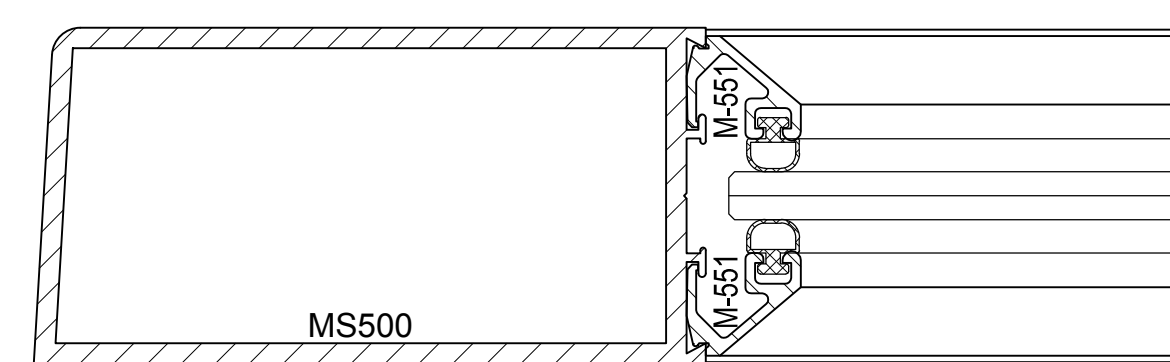
DOOR MUNTINS



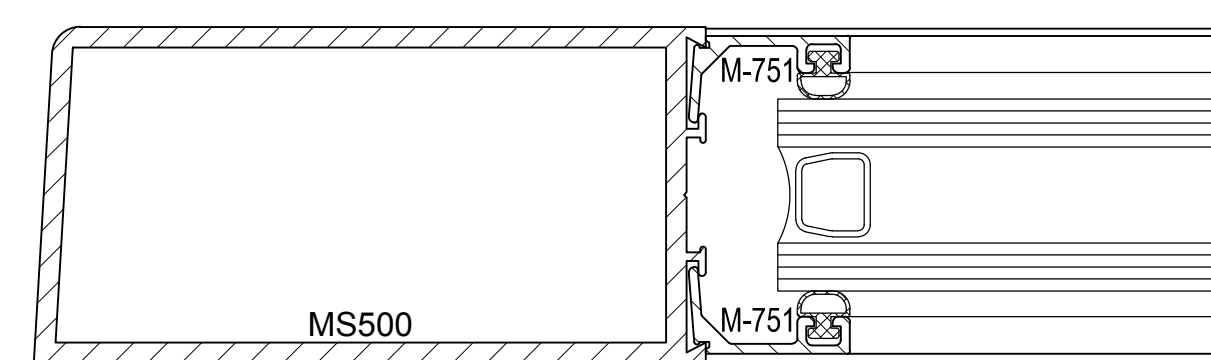
THRESHOLDS



1/4" GLASS - SQUARE

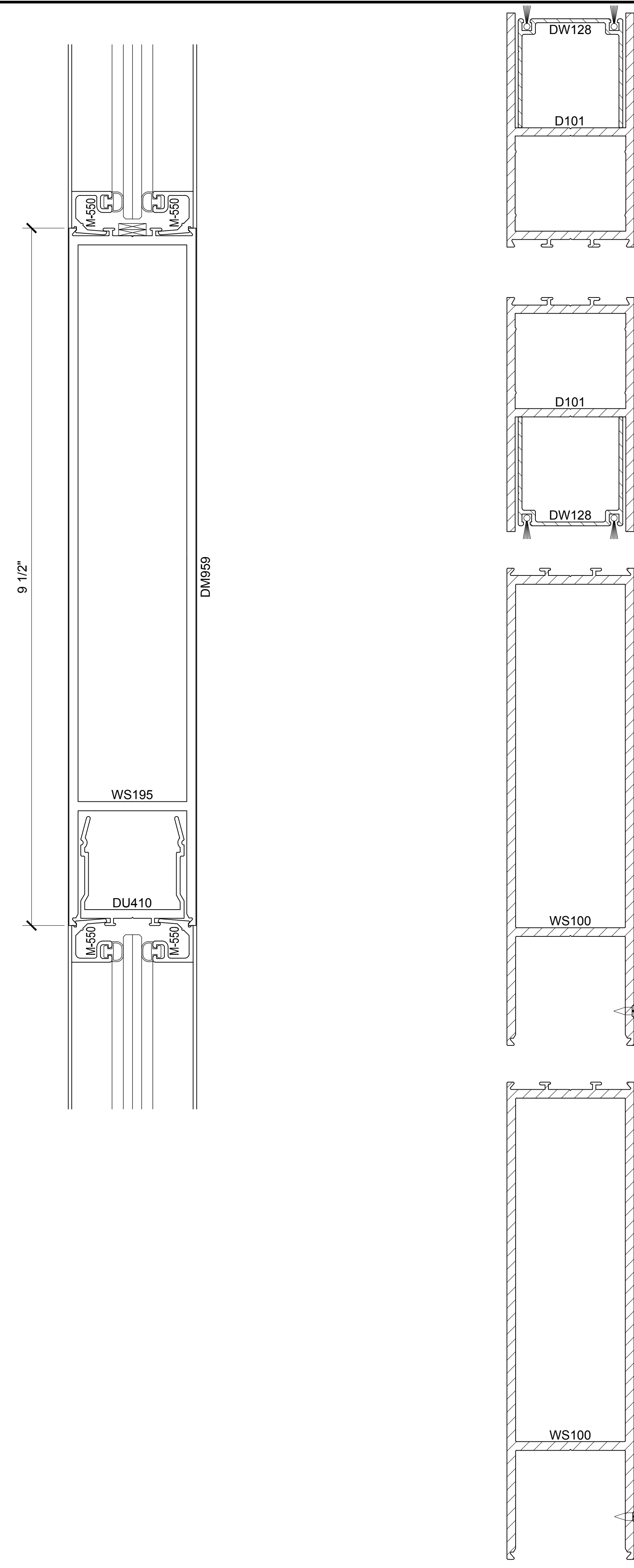


1/4" GLASS - TAPERED



1" GLASS

GLAZING OPTIONS



TOP AND BOTTOM WEATHERSTRIPPING

Revisions By:



C.R. LAURENCE CO. ARCHITECTURAL PRODUCTS
2503 E. Vernon Avenue, Los Angeles, CA 90058-1897
PH: (800)-421-6144 FX: (800)-587-7501 www.crlaurence.com

Description:
U.S. ALUMINUM
MEDIUM STYLE SERIES 400
DOOR SYSTEM

Drawn By: AAD
Date: 9/21/12
Scale: AS NOTED
File Name: 400 MS DRS.dwg

Sheet

M-1