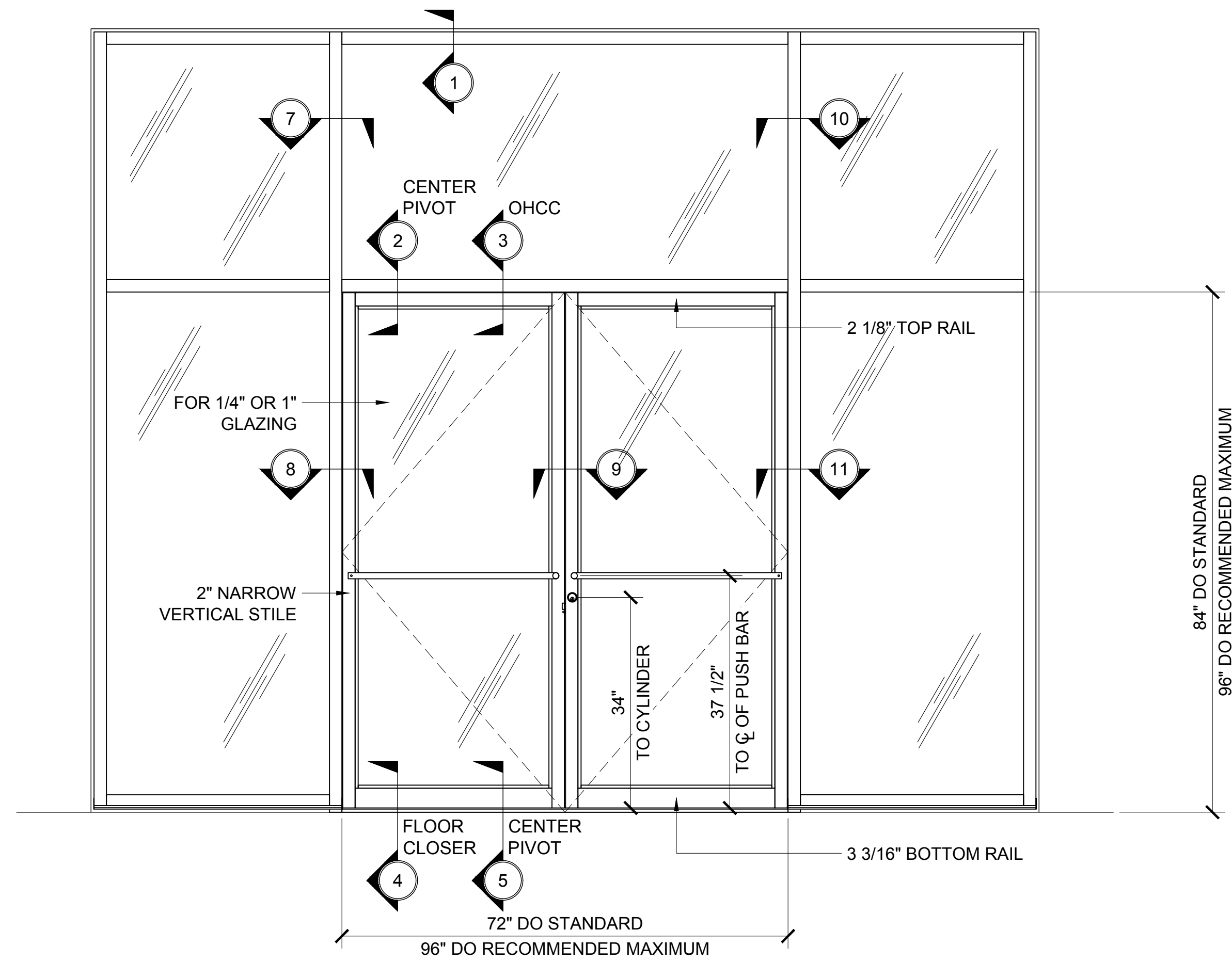


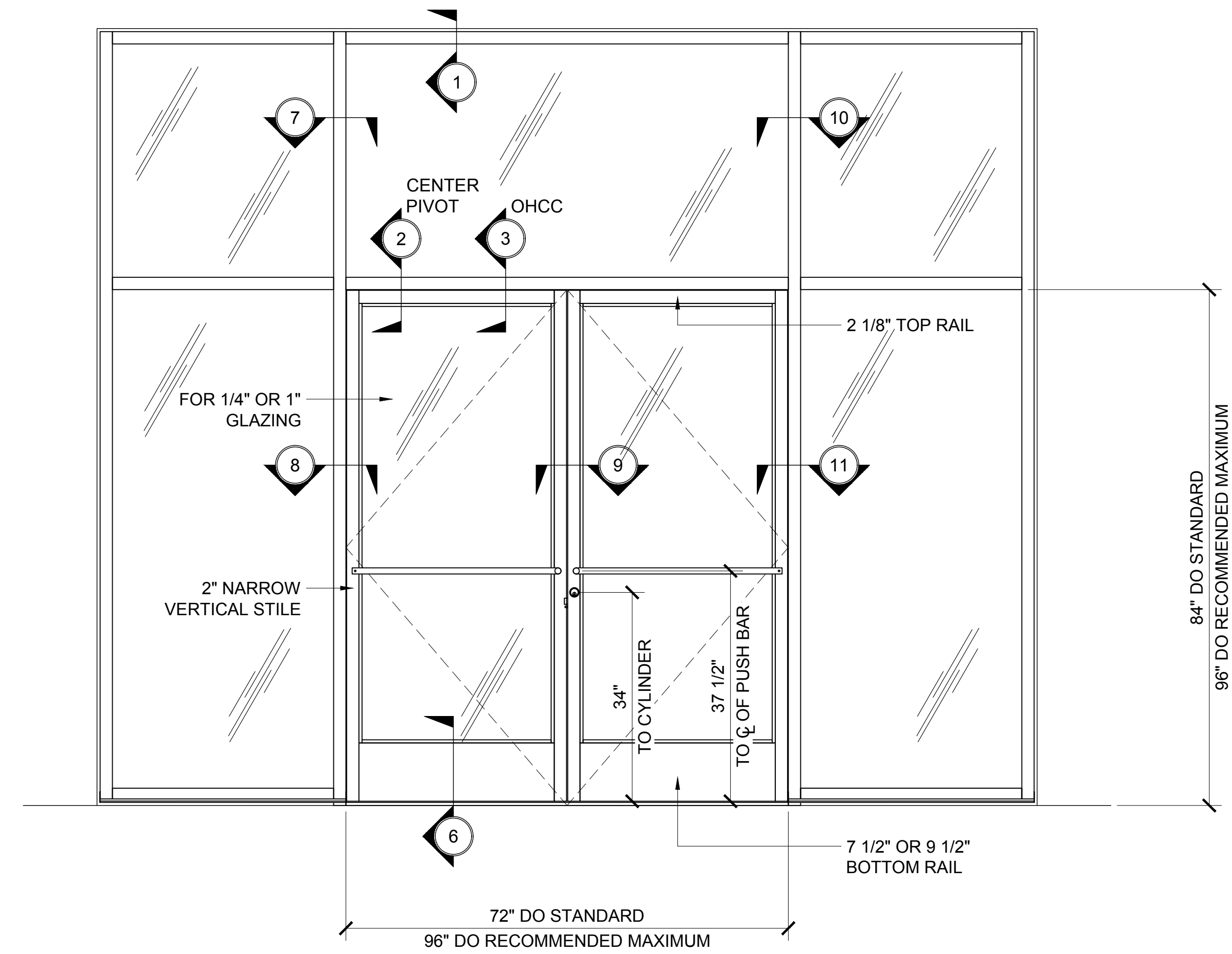


U.S. ALUMINUM NARROW STILE SERIES 250 DOOR SYSTEM

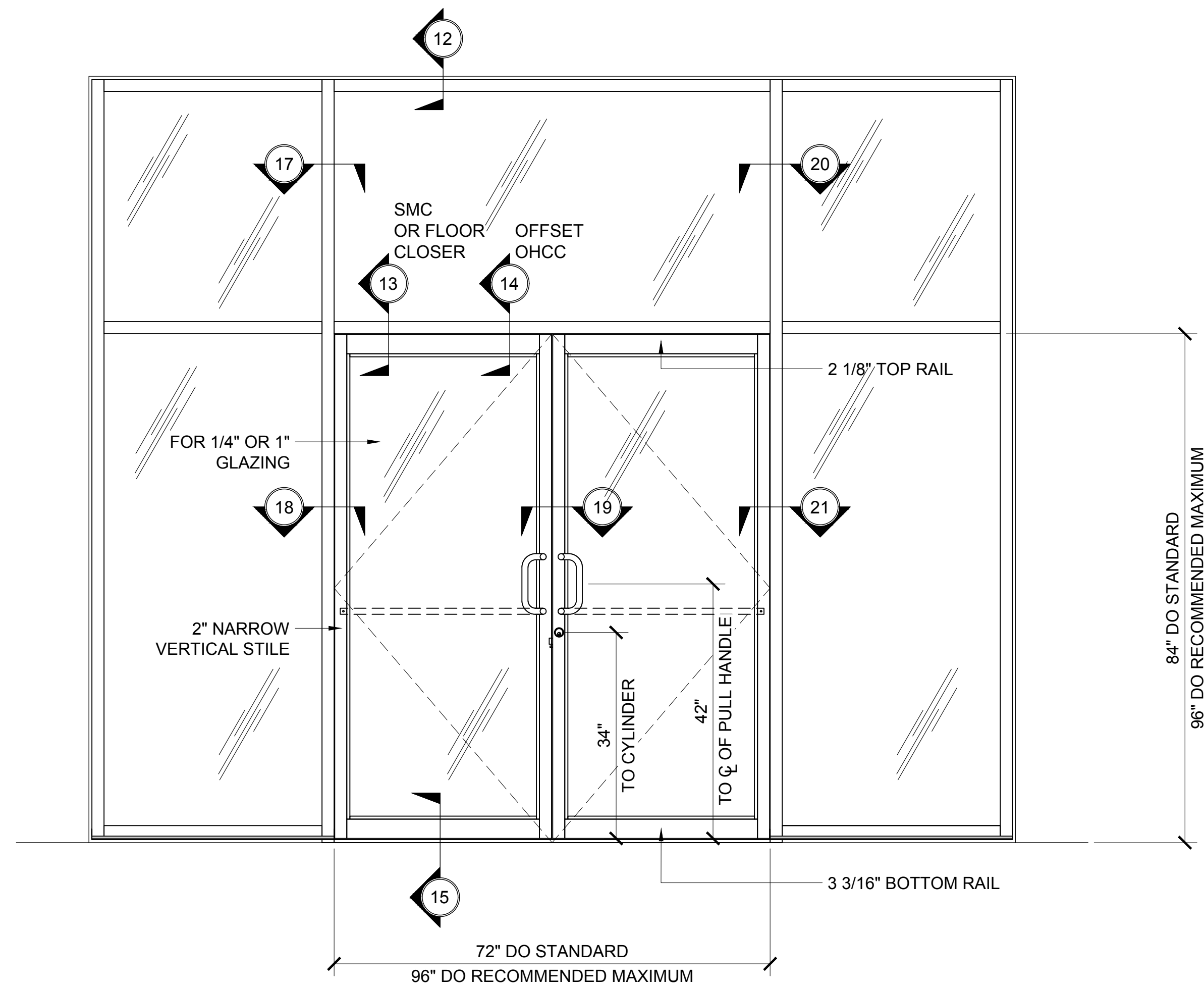
Revisions By:



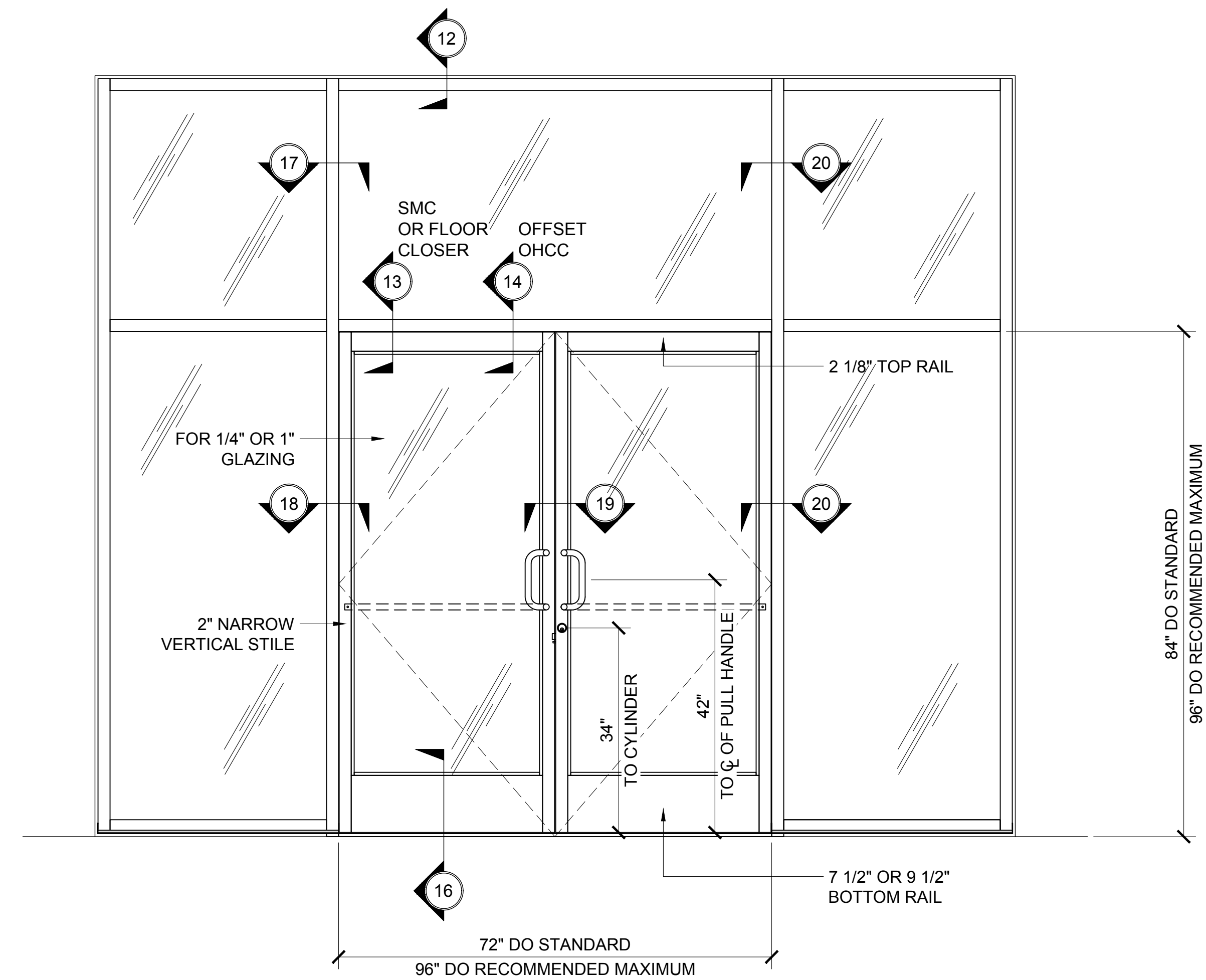
CENTER-HUNG NARROW STILE SERIES 250 DOOR TYPICAL ELEVATION



CENTER-HUNG NARROW STILE SERIES 250 DOOR ADA COMPLIANT ELEVATION

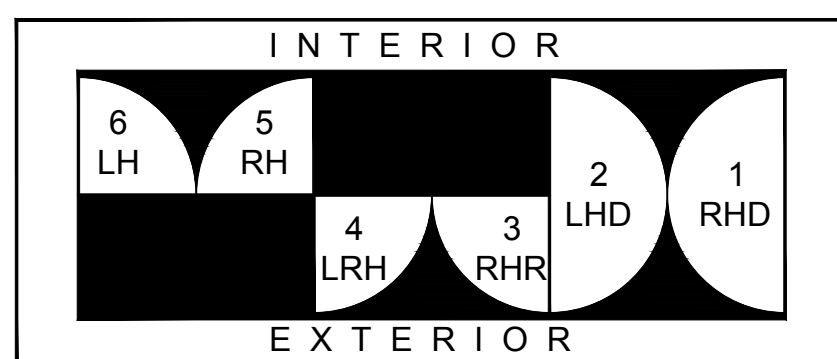


OFFSET-HUNG NARROW STILE SERIES 250 DOOR TYPICAL ELEVATION



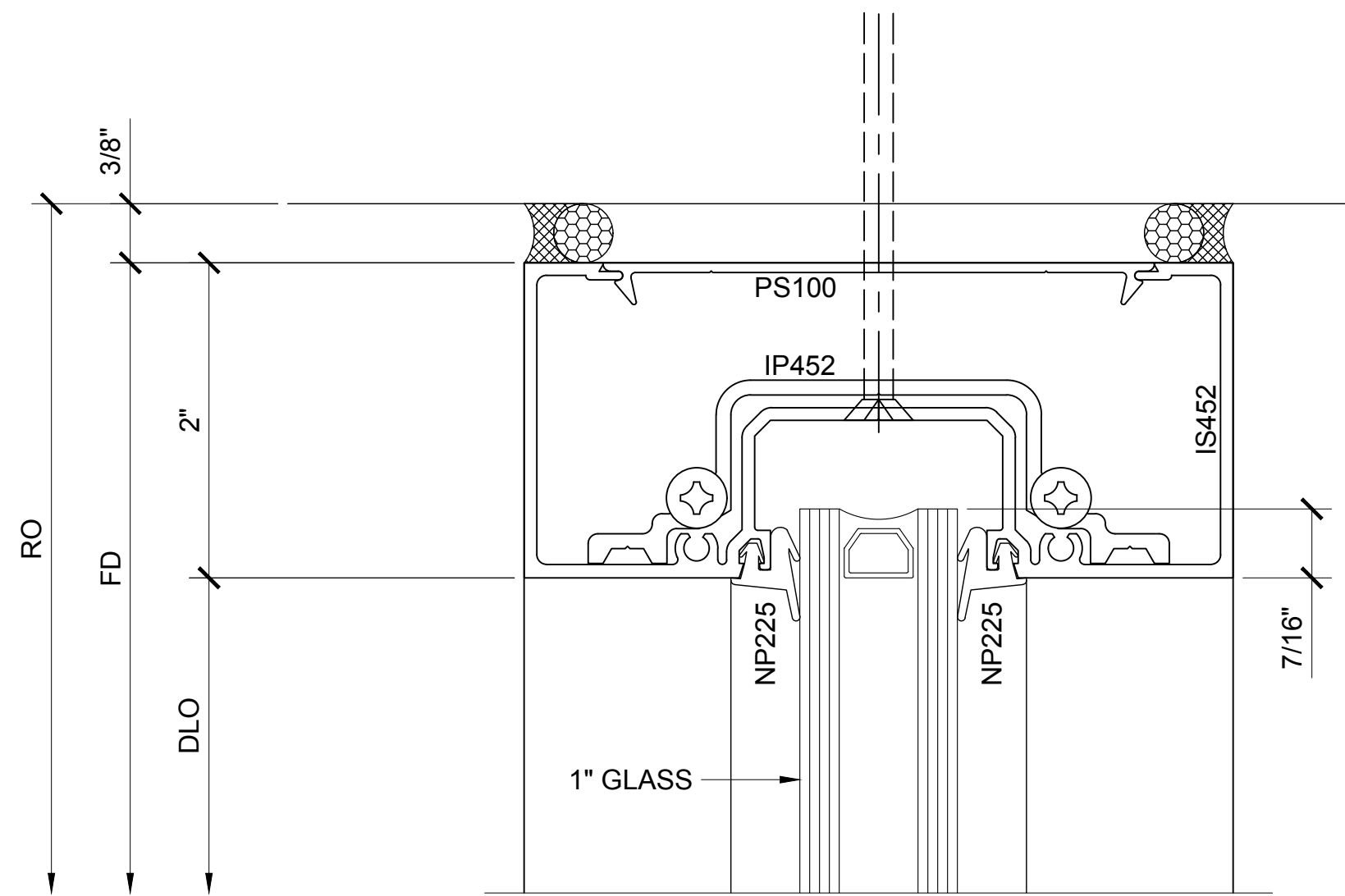
OFFSET-HUNG NARROW STILE SERIES 250 DOOR ADA COMPLIANT ELEVATION

DOOR SWING CHART

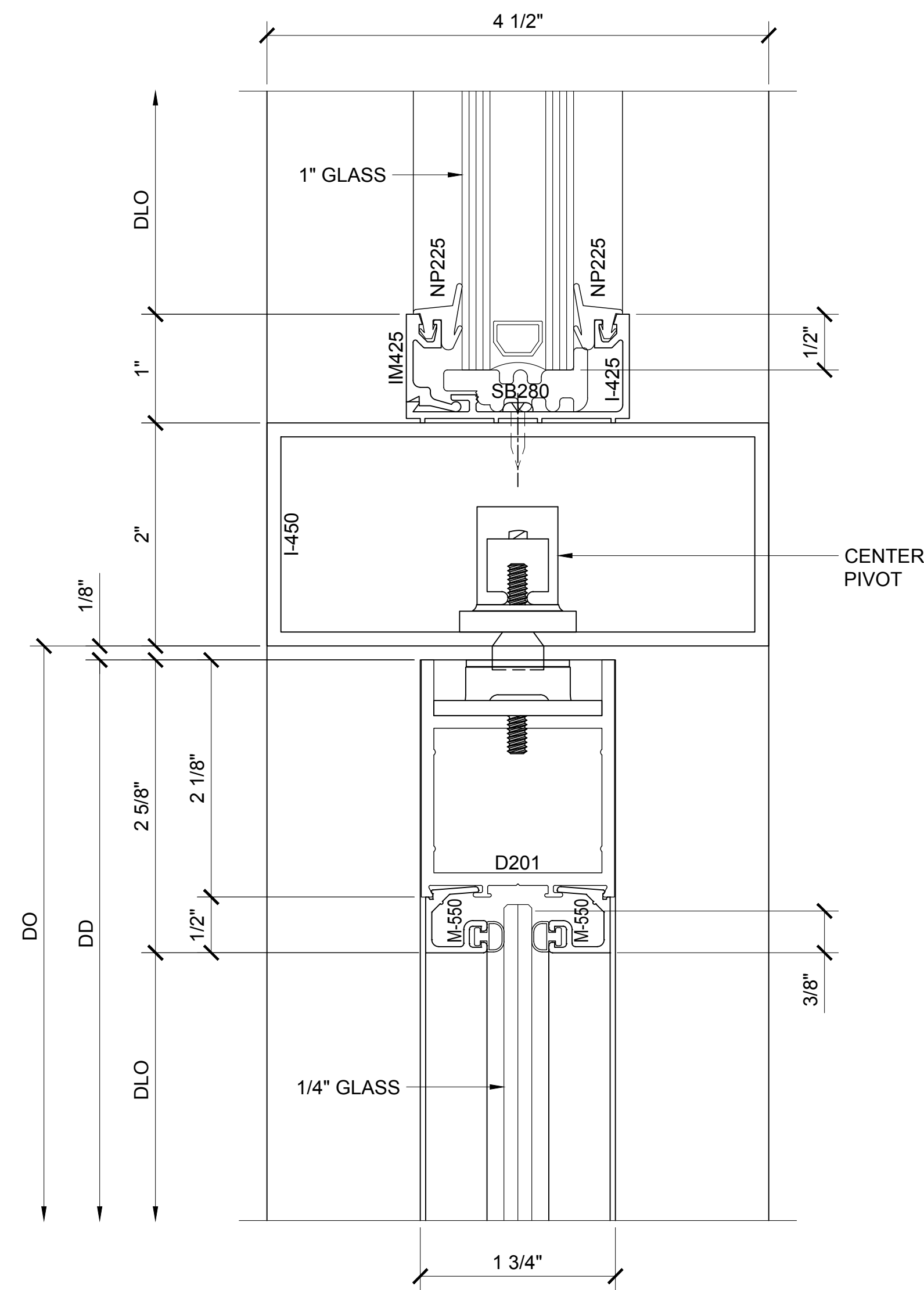


Description:  
U.S. ALUMINUM  
NARROW STILE SERIES 250  
DOOR SYSTEM

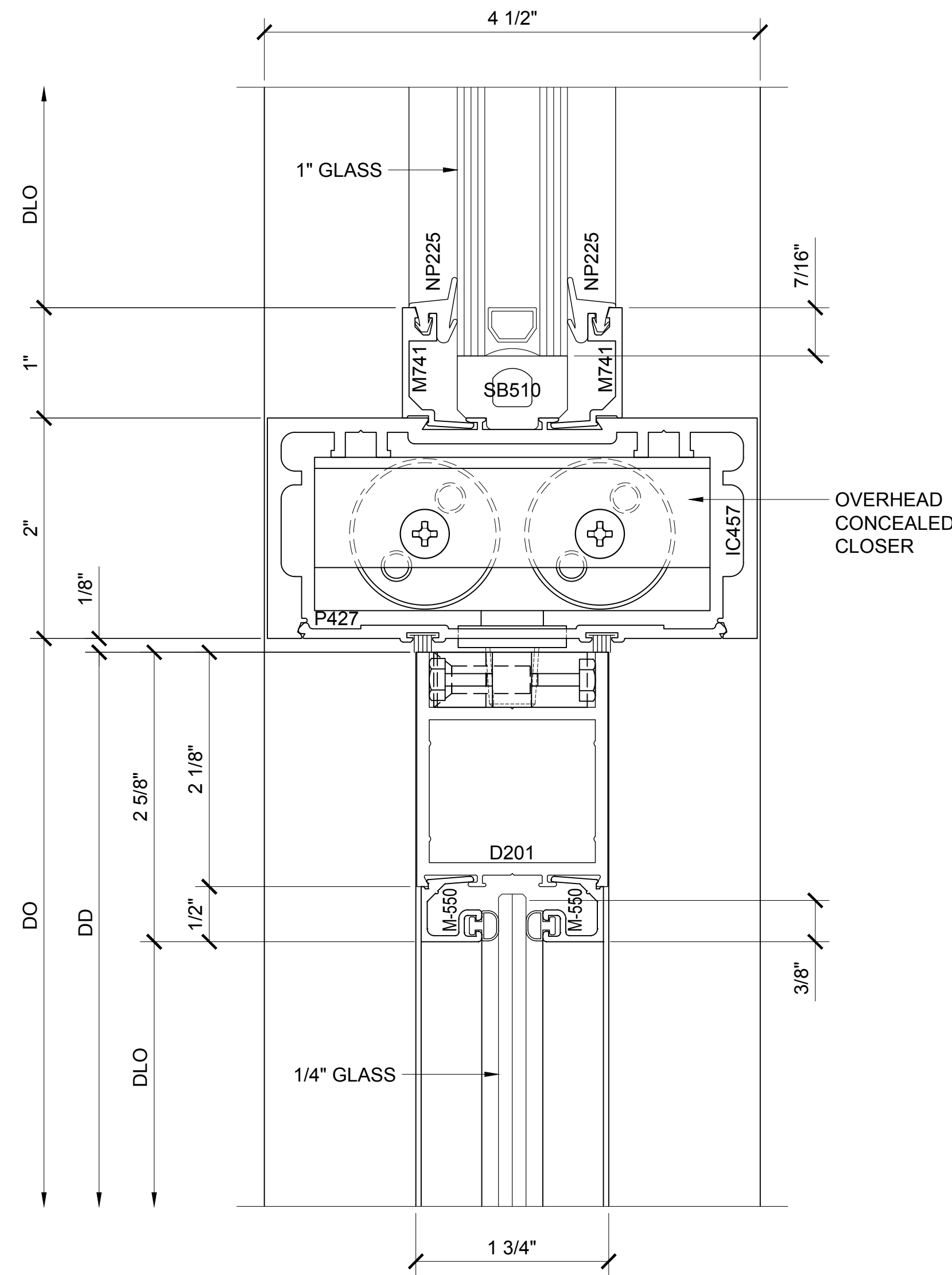
Drawn By: AAD  
Date: 4/22/16  
Scale: AS NOTED  
File Name: 250 NS DRS.dwg  
Sheet



SECTION DETAIL @ STOREFRONT HEAD (1)



SECTION DETAIL @ DOOR HEAD WITH PIVOT (2)



SECTION DETAIL @ DOOR HEAD WITH OHCC (3)

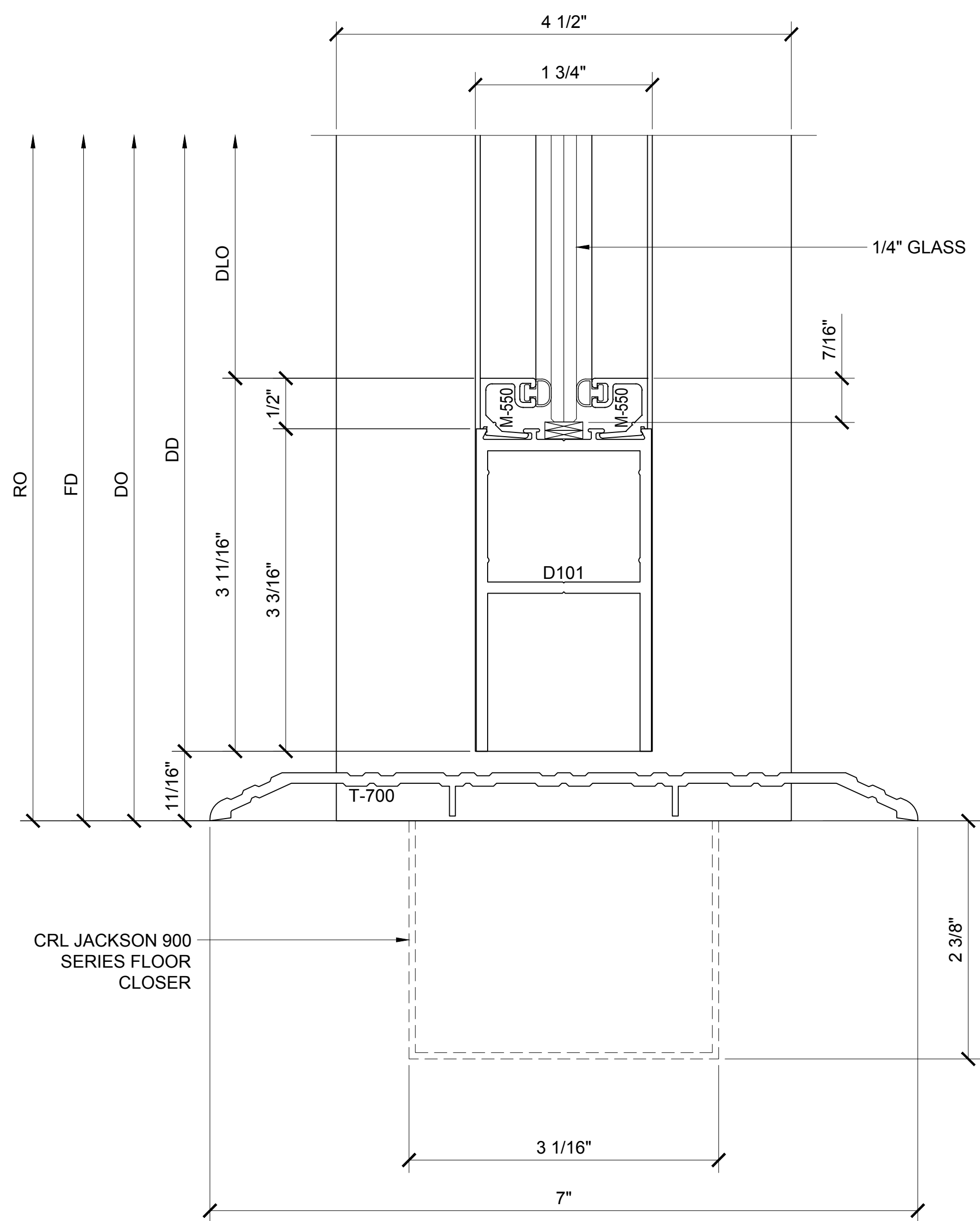
**NARROW STILE CENTER HUNG SERIES 250 DOOR DETAILS (SHOWN WITH OPTIONAL SERIES 451 STOREFRONT SYSTEM)**

Revisions By:

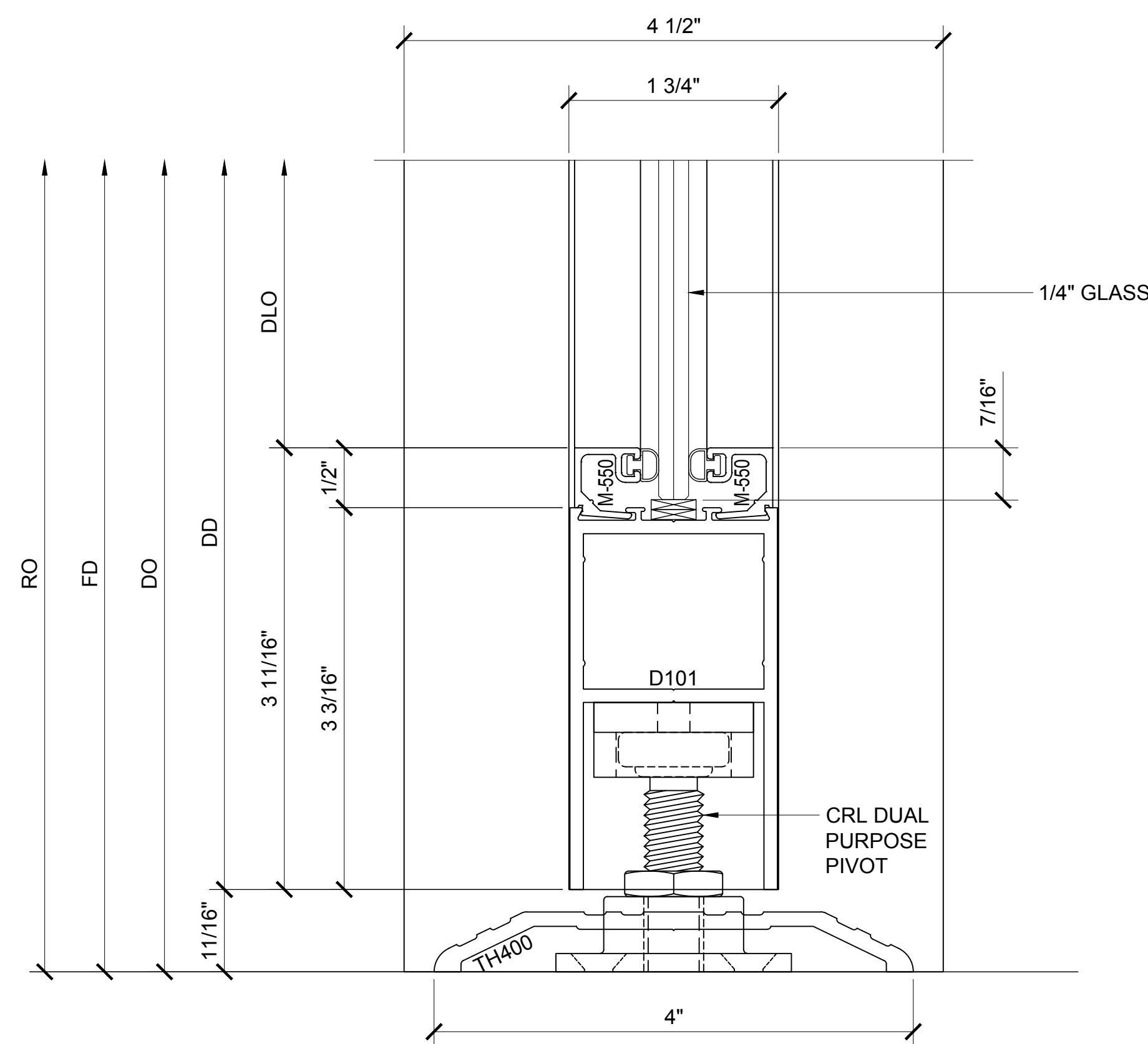


Description:  
**U.S. ALUMINUM  
 NARROW STILE SERIES 250  
 DOOR SYSTEM**

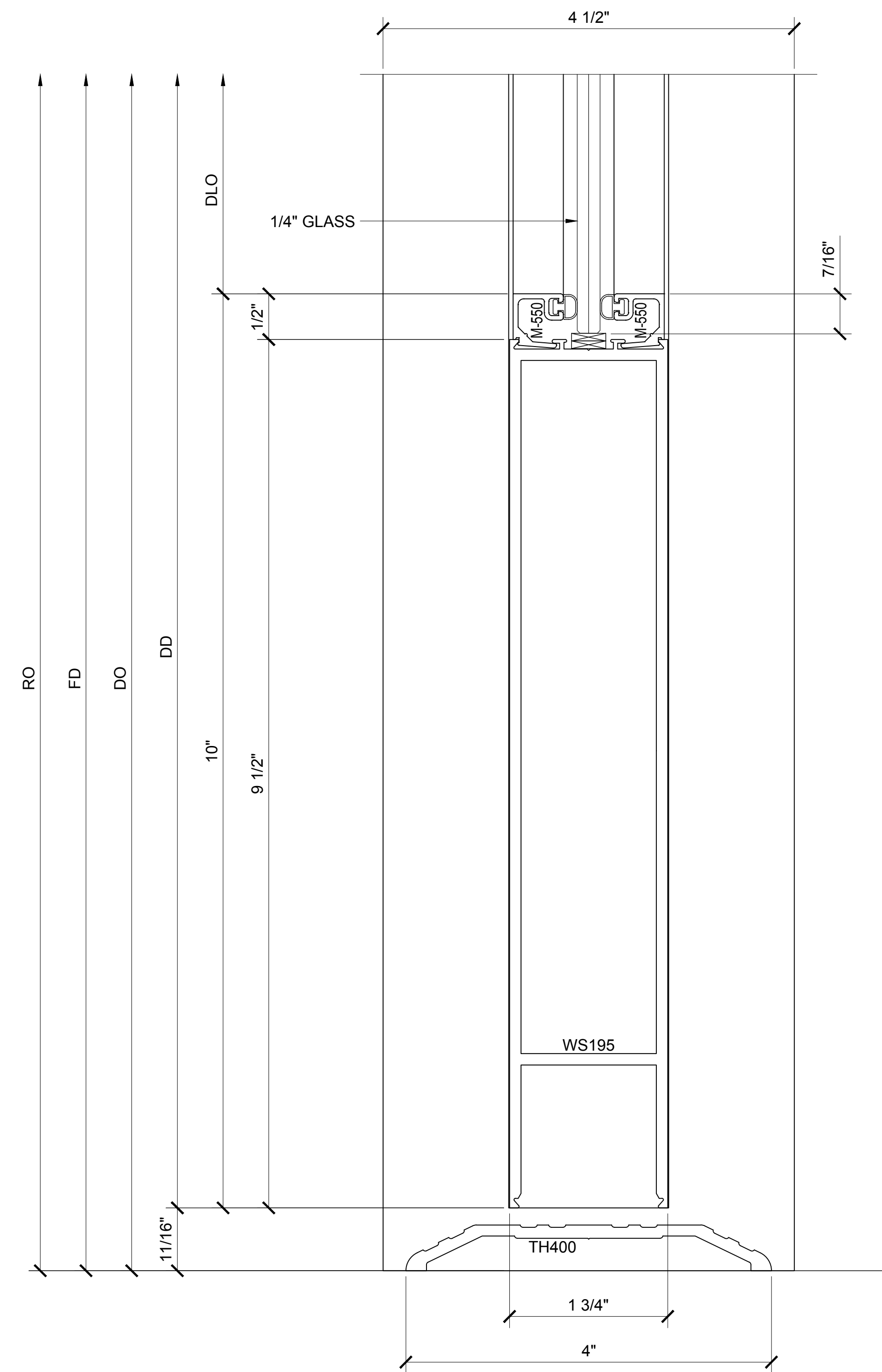
Drawn By: AAD  
 Date: 4/22/16  
 Scale: AS NOTED  
 File Name: 250 NS DRS.dwg  
 Sheet



SECTION DETAIL @ DOOR SILL ④



SECTION DETAIL @ DOOR SILL ⑤



SECTION DETAIL @ ADA DOOR SILL ⑥  
(7 1/2" VERSION IS ALSO AVAILABLE)

**NARROW STILE CENTER HUNG SERIES 250 DOOR DETAILS (SHOWN WITH OPTIONAL SERIES 451 STOREFRONT SYSTEM)**

Revisions By:



Description:  
U.S. ALUMINUM  
NARROW STILE SERIES 250  
DOOR SYSTEM

Drawn By: AAD  
Date: 4/22/16  
Scale: AS NOTED  
File Name: 250 NS DRS.dwg  
Sheet

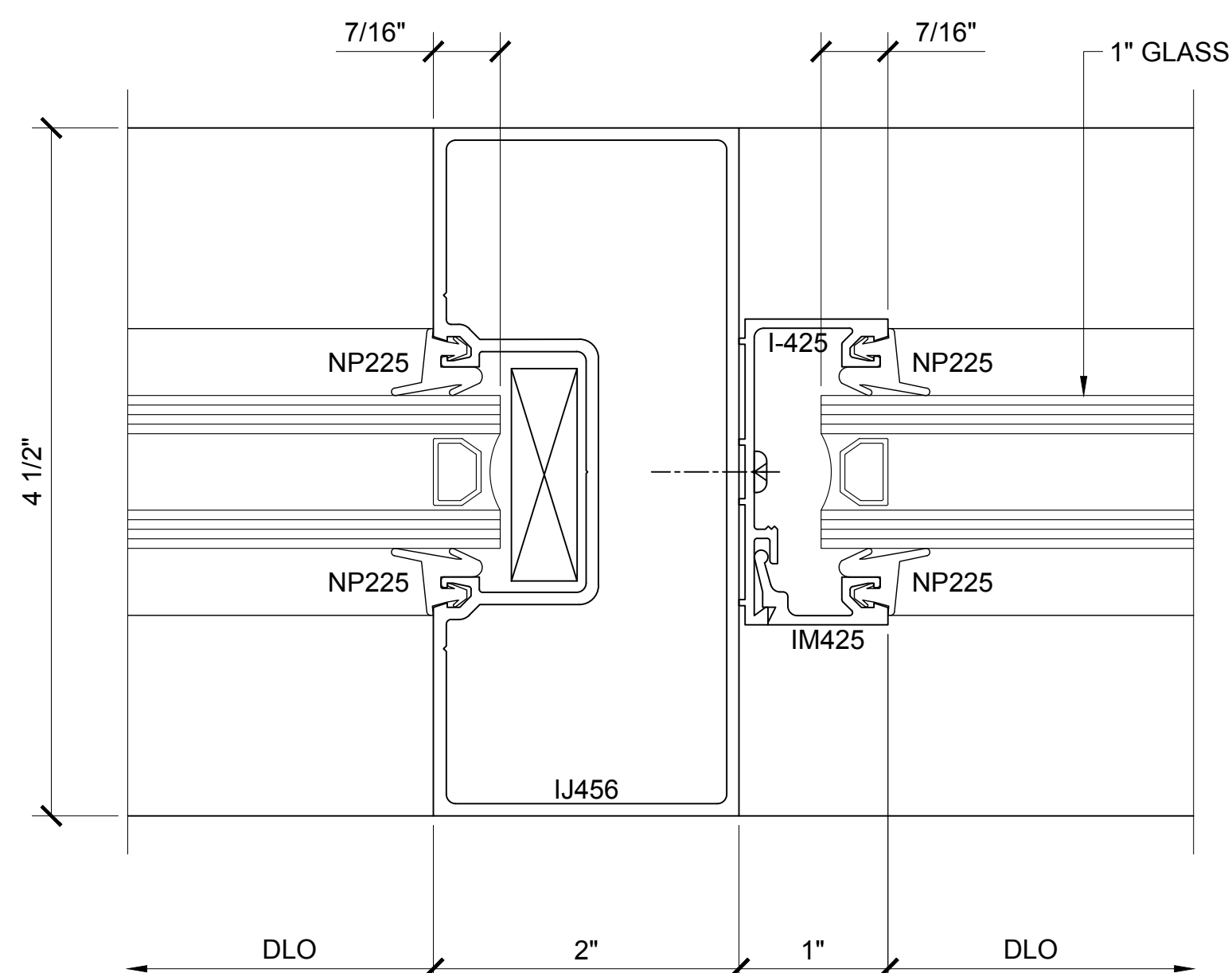
Revisions By:

**U.S. ALUMINUM**  
C.R. LAURENCE CO. ARCHITECTURAL PRODUCTS  
2503 E. Vermon Avenue, Los Angeles, CA 90058-1897  
PH: (800)-421-6144 FX: 800-587-7301 www.crlaurence.com

Description:  
**U.S. ALUMINUM**  
**NARROW STILE SERIES 250**  
**DOOR SYSTEM**

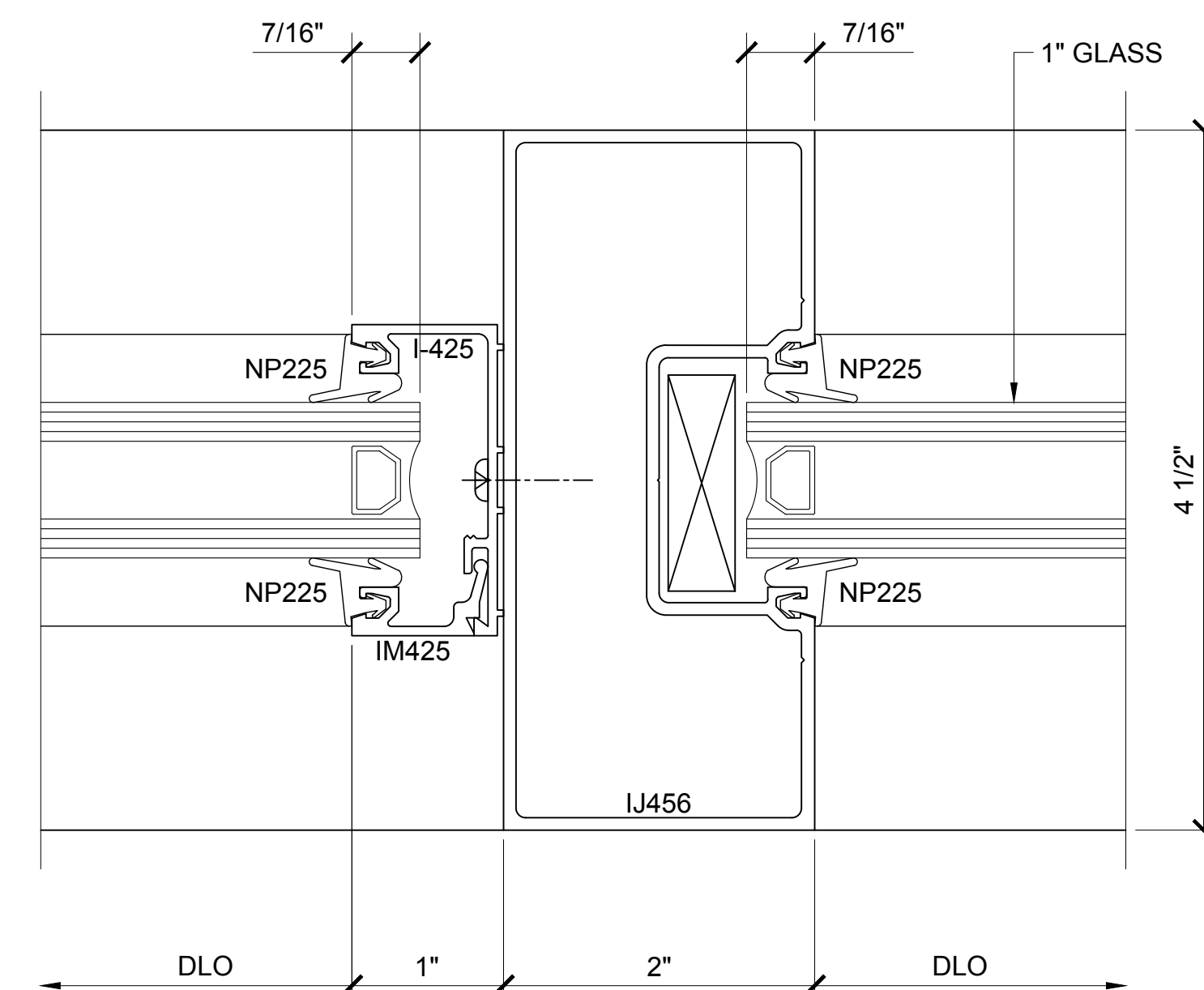
Drawn By: AAD  
Date: 4/22/16  
Scale: AS NOTED  
File Name: 250 NS DRS.dwg

Sheet



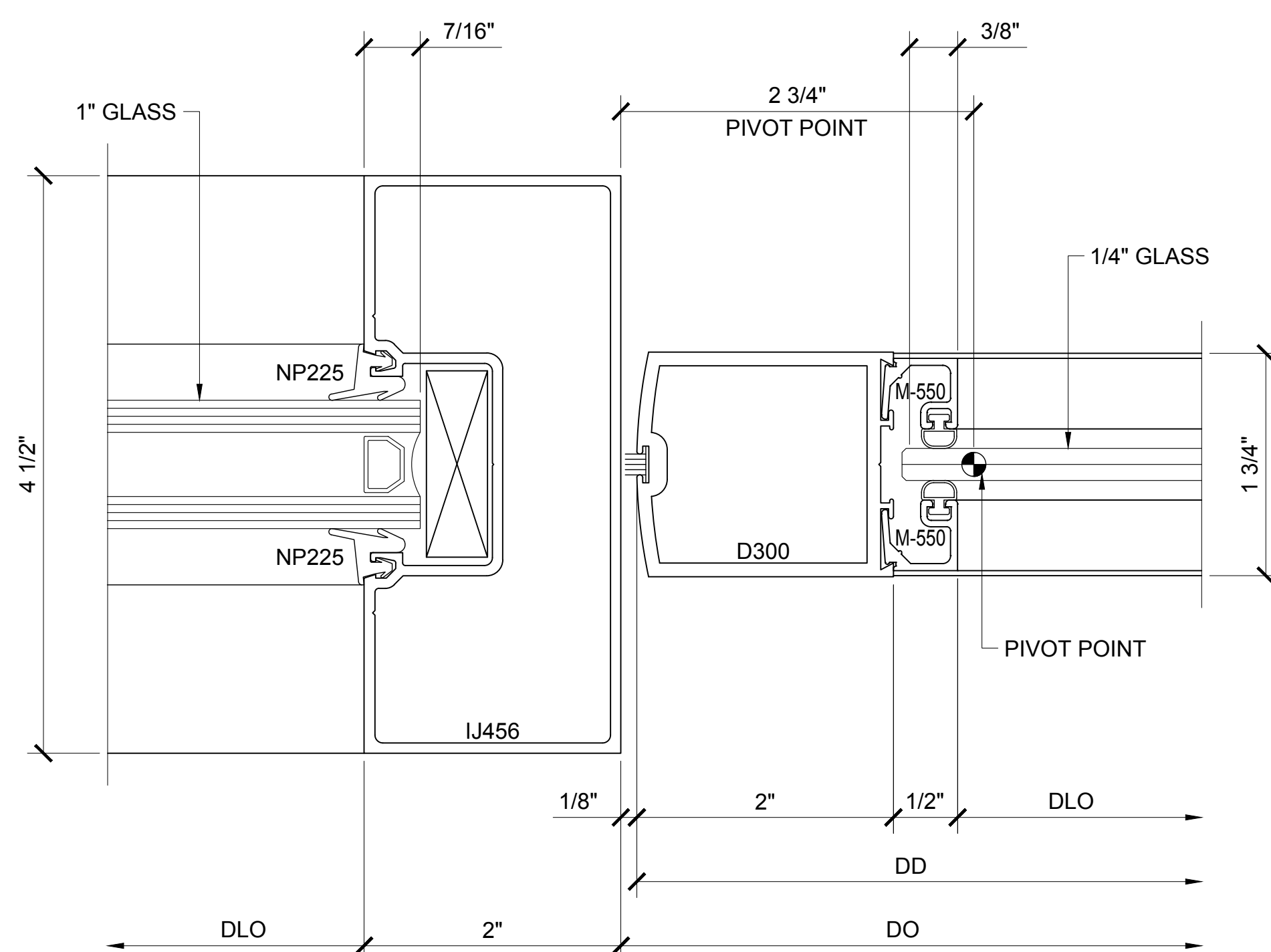
**SECTION DETAIL @ VERTICAL**

7



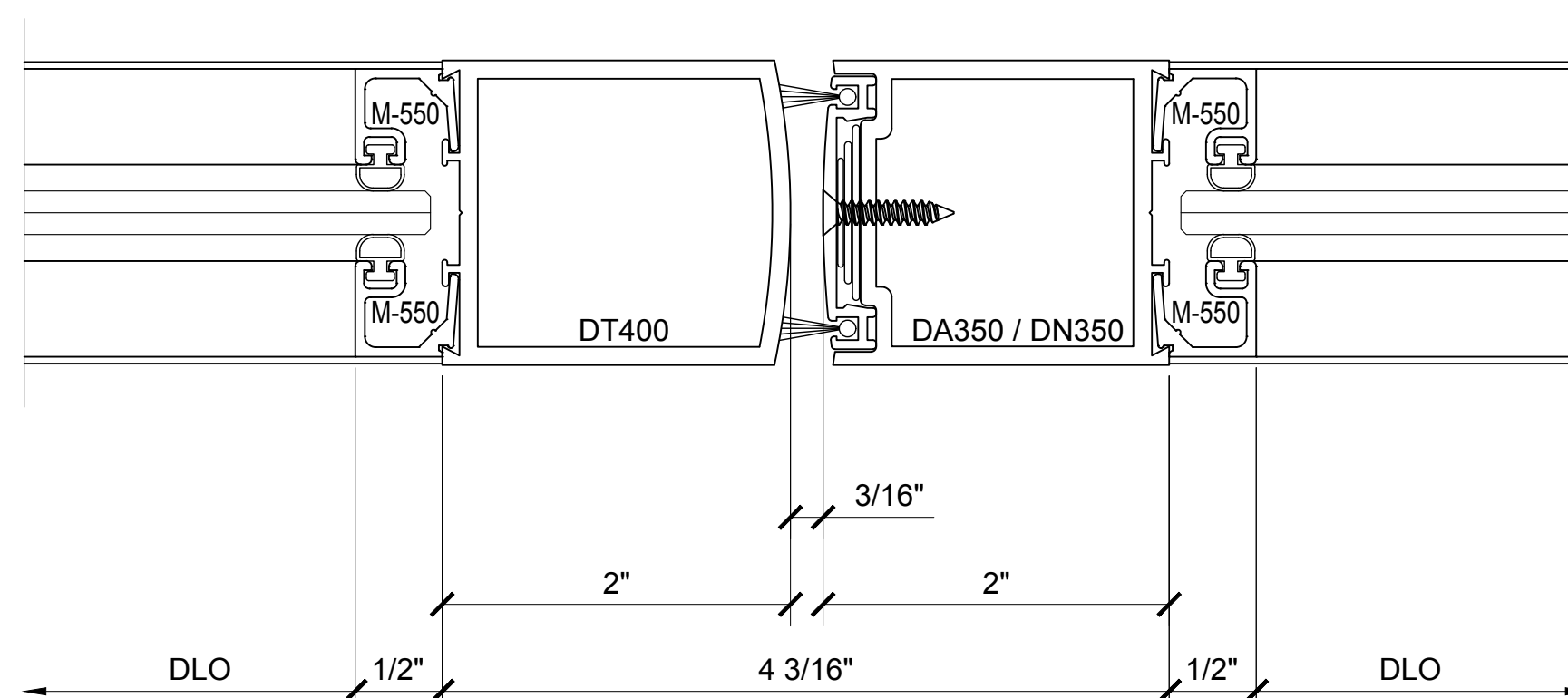
**SECTION DETAIL @ VERTICAL**

10



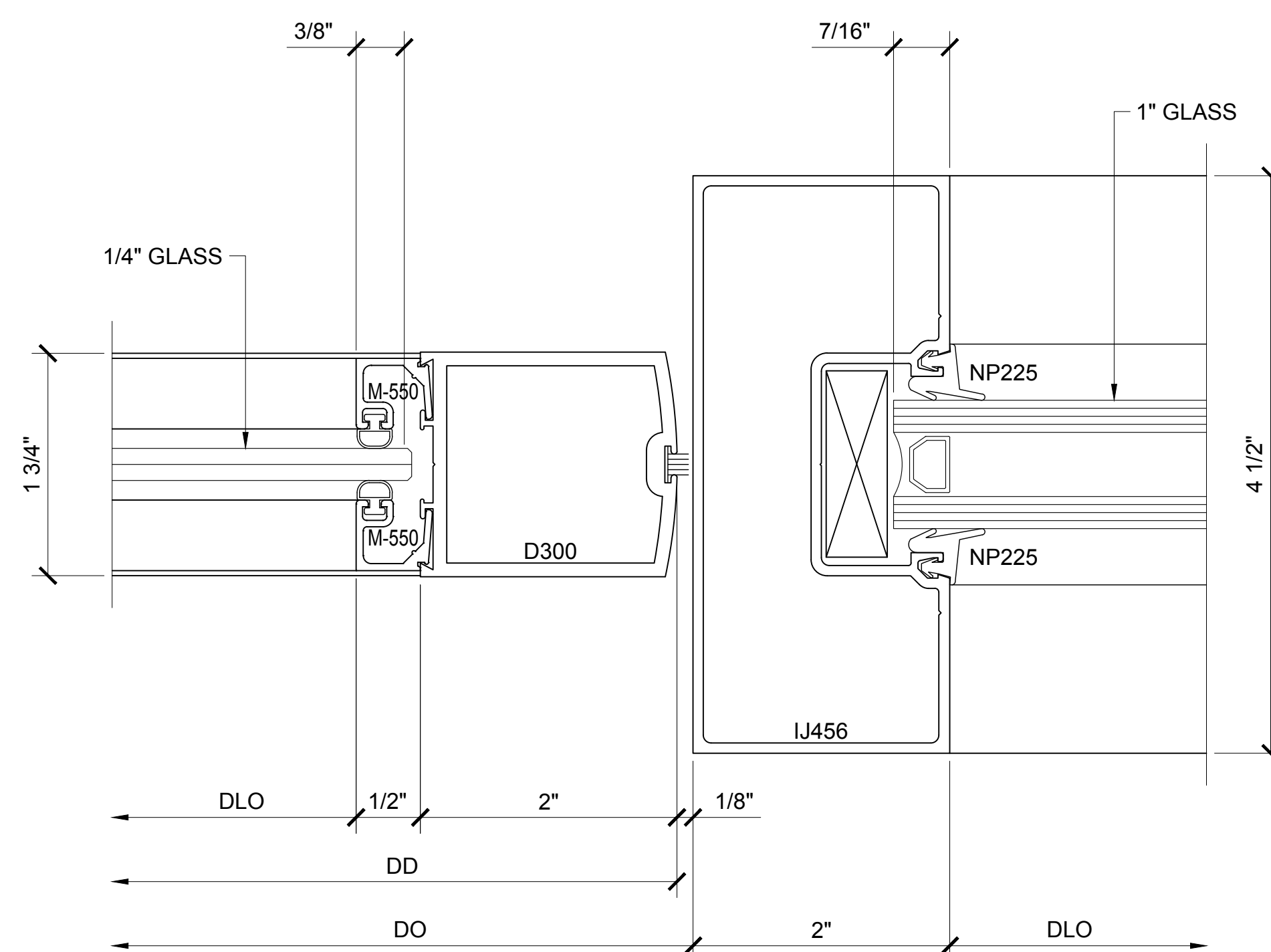
**SECTION DETAIL @ DOOR JAMB**

8



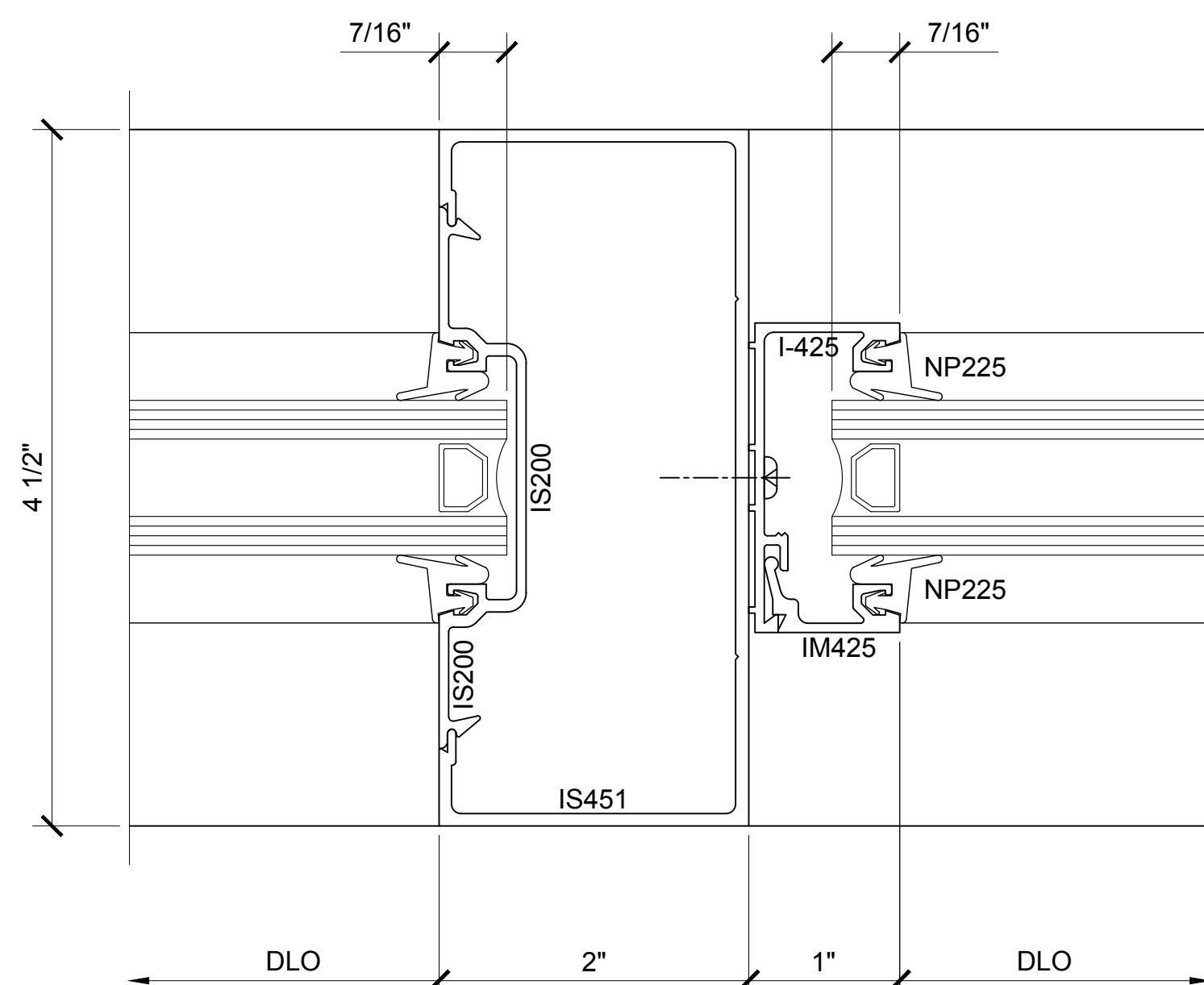
**SECTION DETAIL @ MEETING STILES**

9



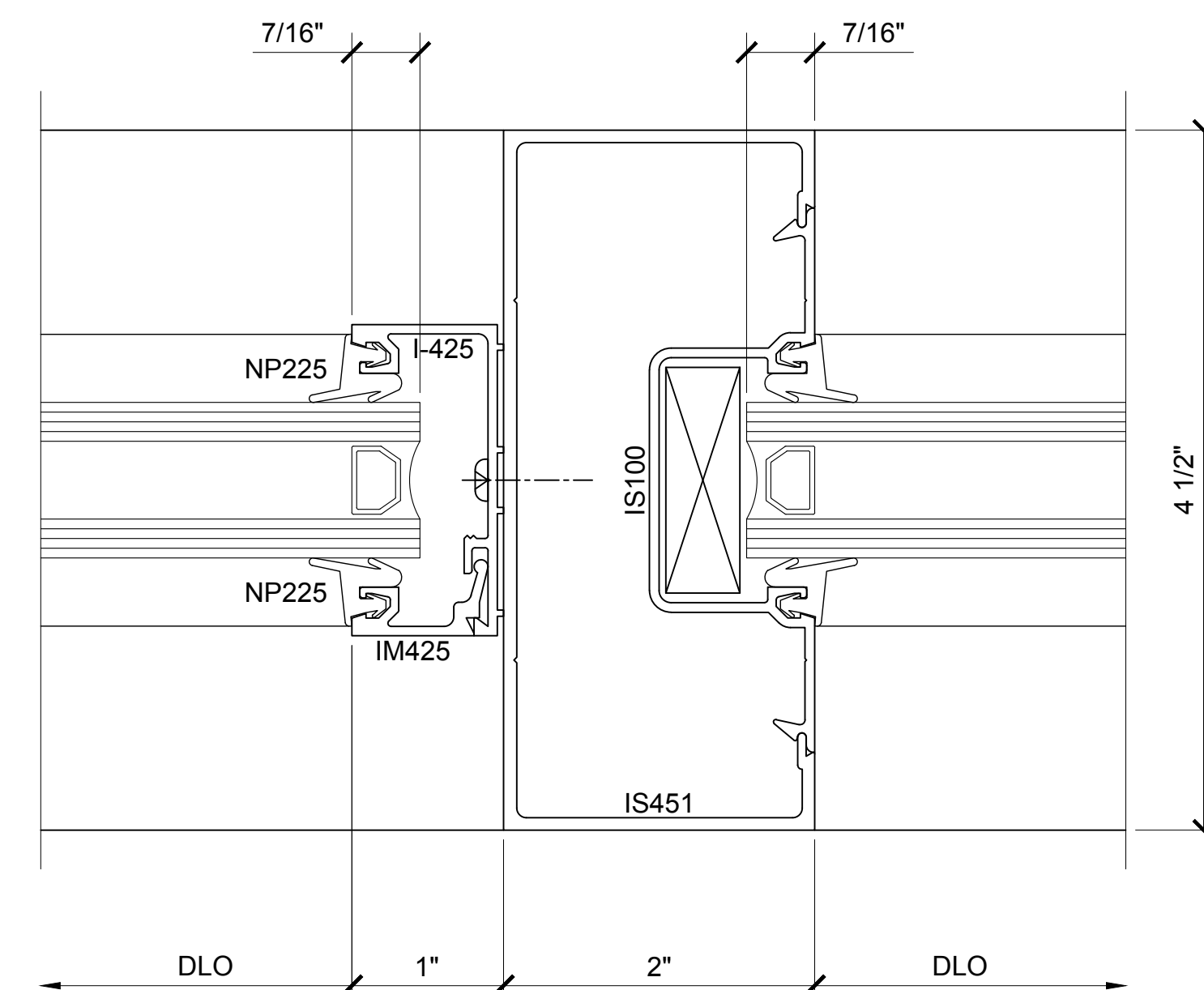
**SECTION DETAIL @ DOOR JAMB**

11



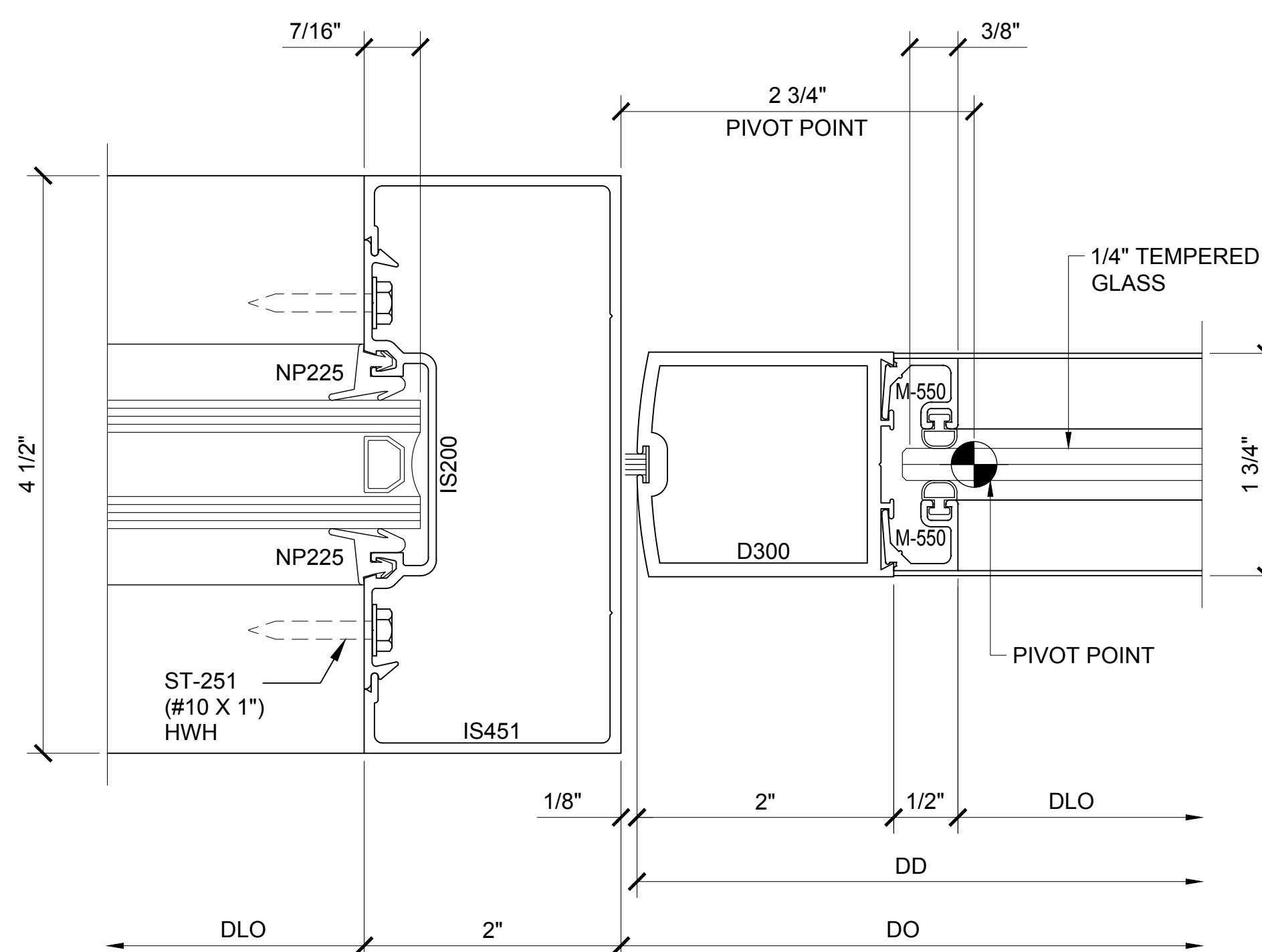
SECTION DETAIL @ VERTICAL

7



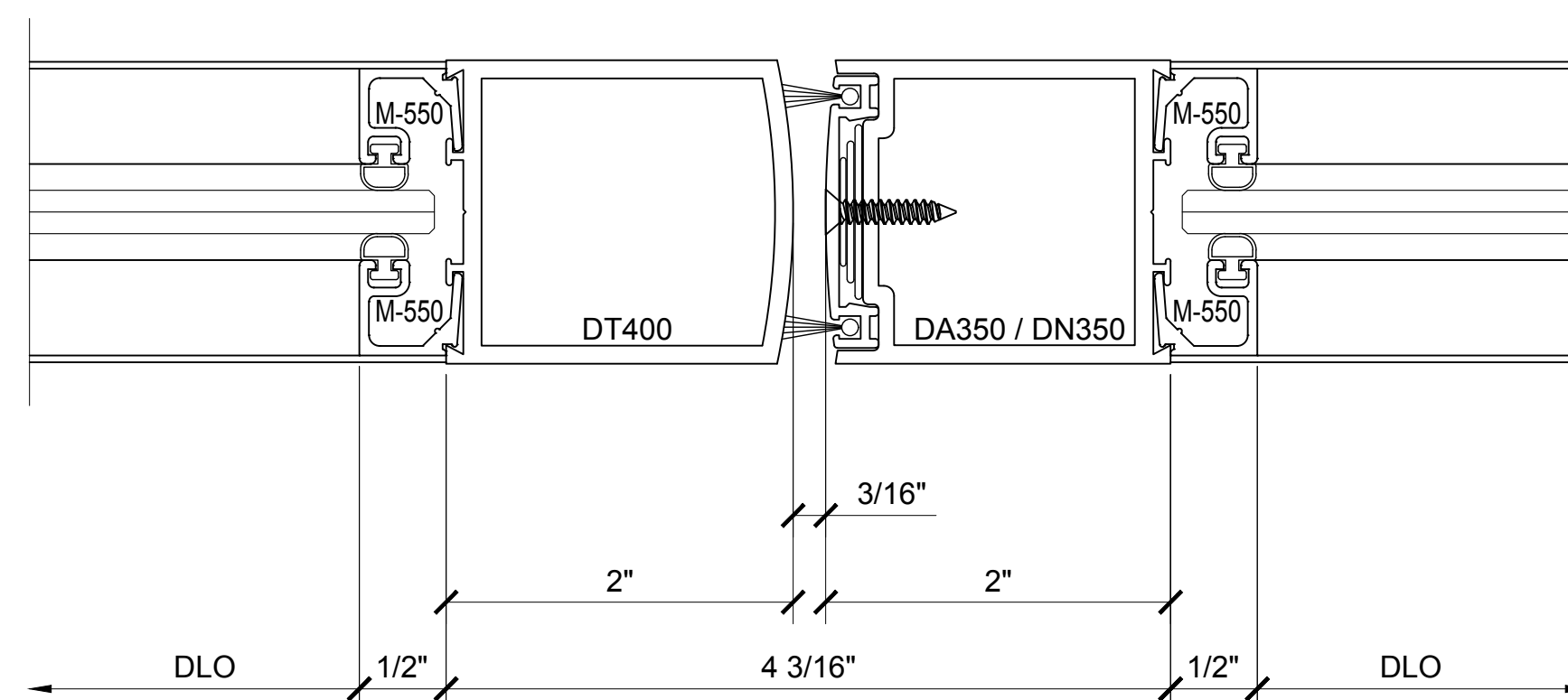
SECTION DETAIL @ VERTICAL

10



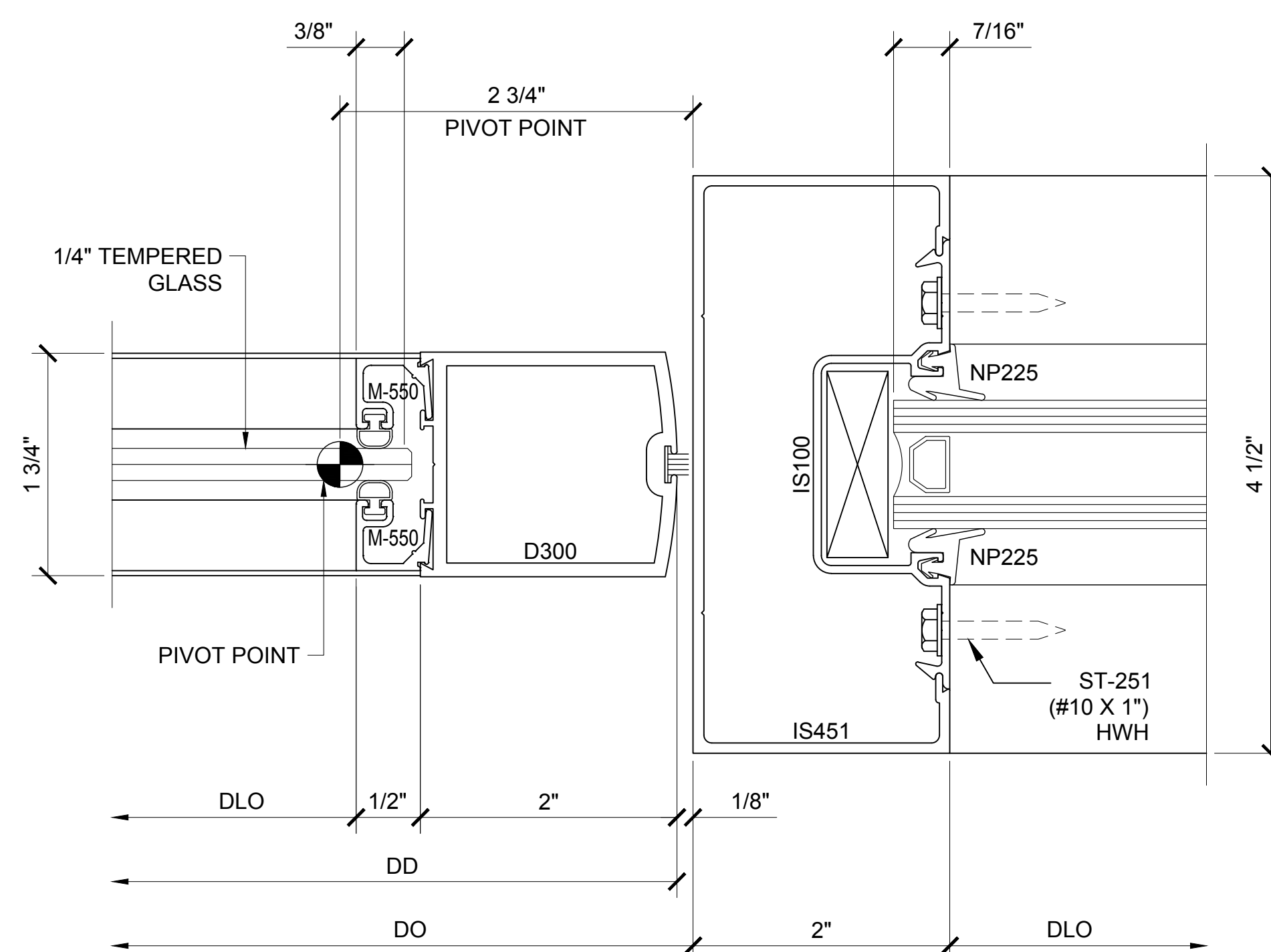
SECTION DETAIL @ DOOR JAMB

8



SECTION DETAIL @ MEETING STILES

9



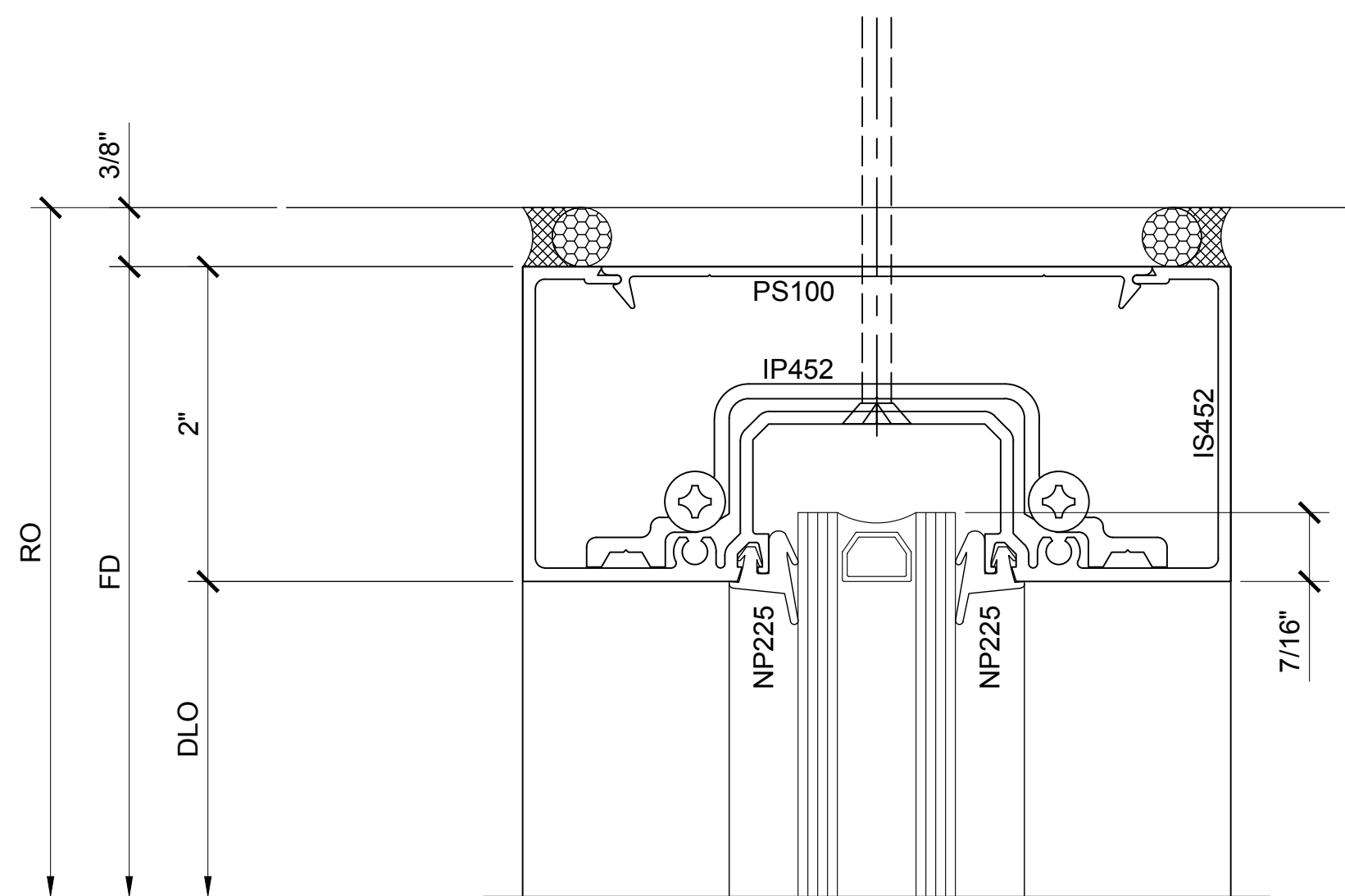
SECTION DETAIL @ DOOR JAMB

11

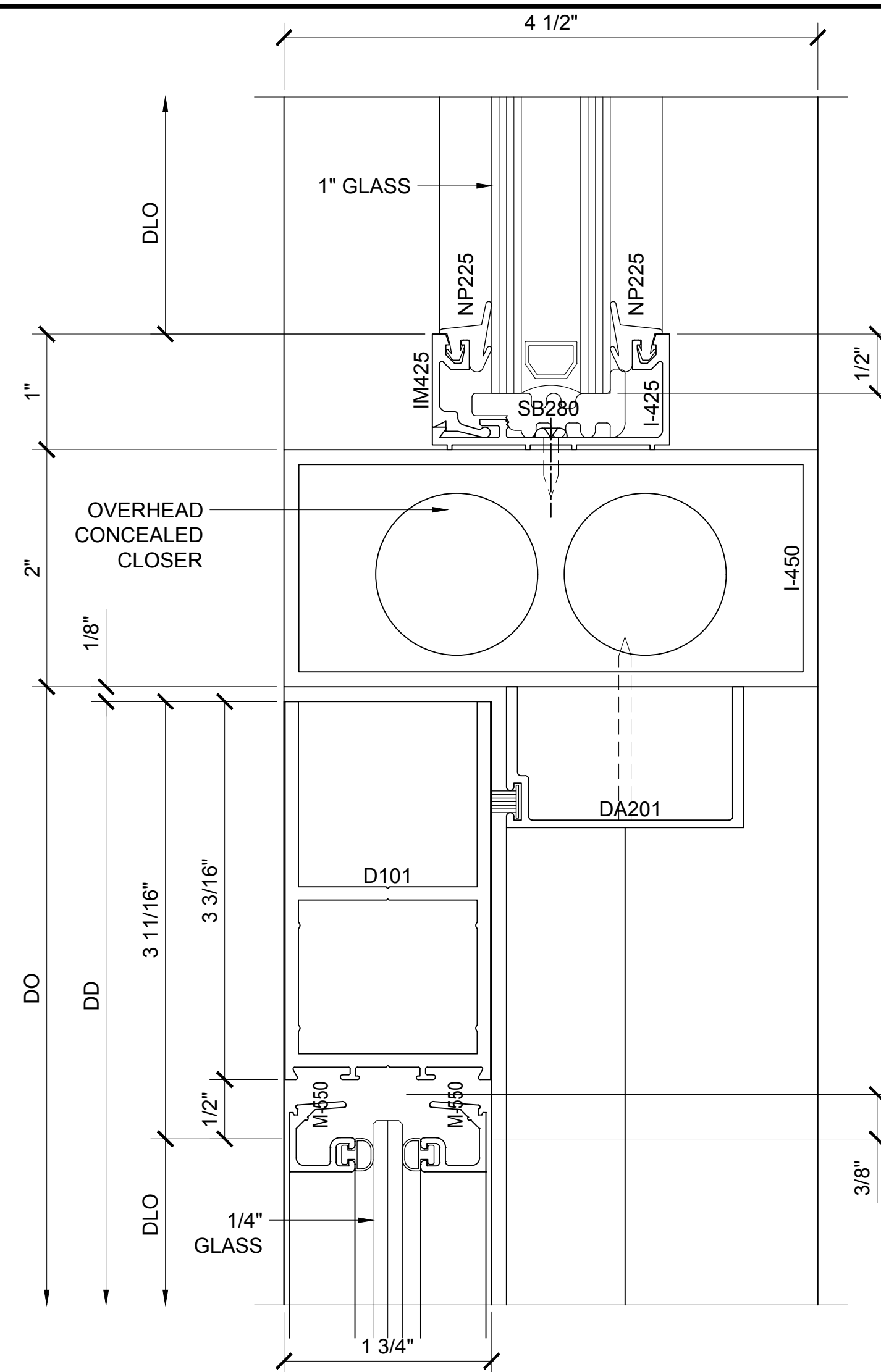
Description:  
 U.S. ALUMINUM  
 NARROW STILE SERIES 250  
 DOOR SYSTEM

Drawn By: AAD  
 Date: 4/22/16  
 Scale: AS NOTED  
 File Name: 250 NS DRS.dwg

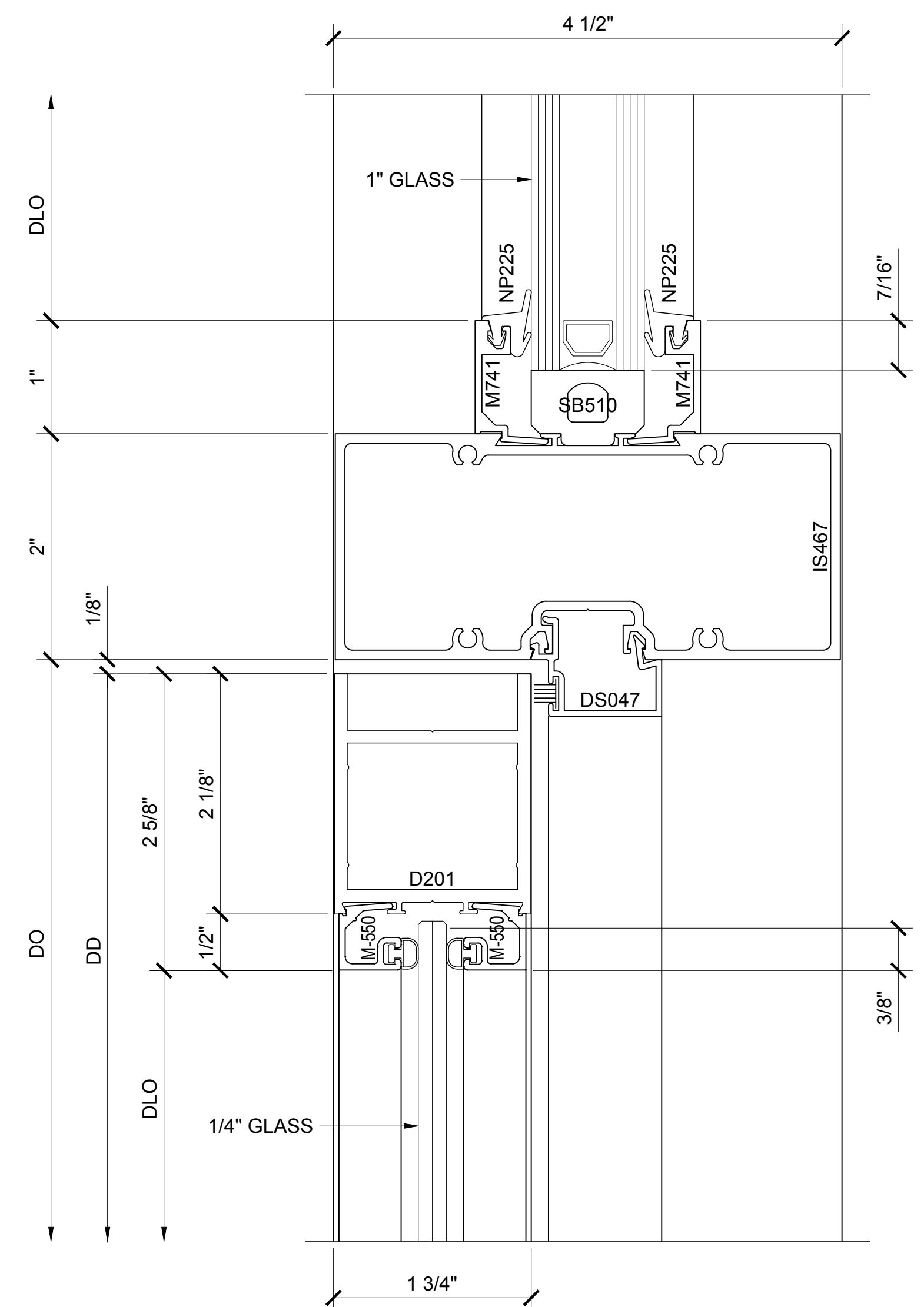
Sheet



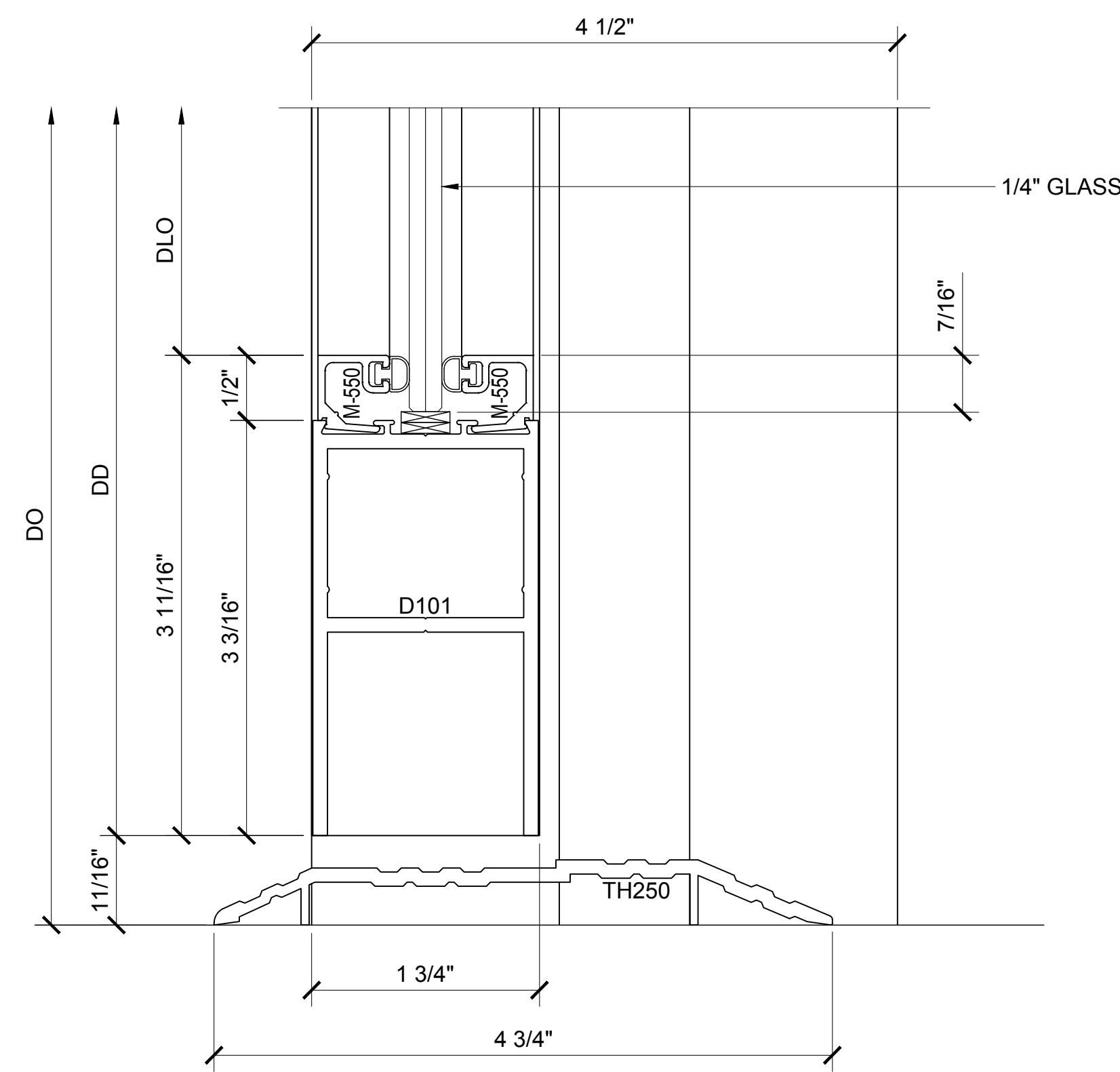
SECTION DETAIL @ STOREFRONT HEAD 12



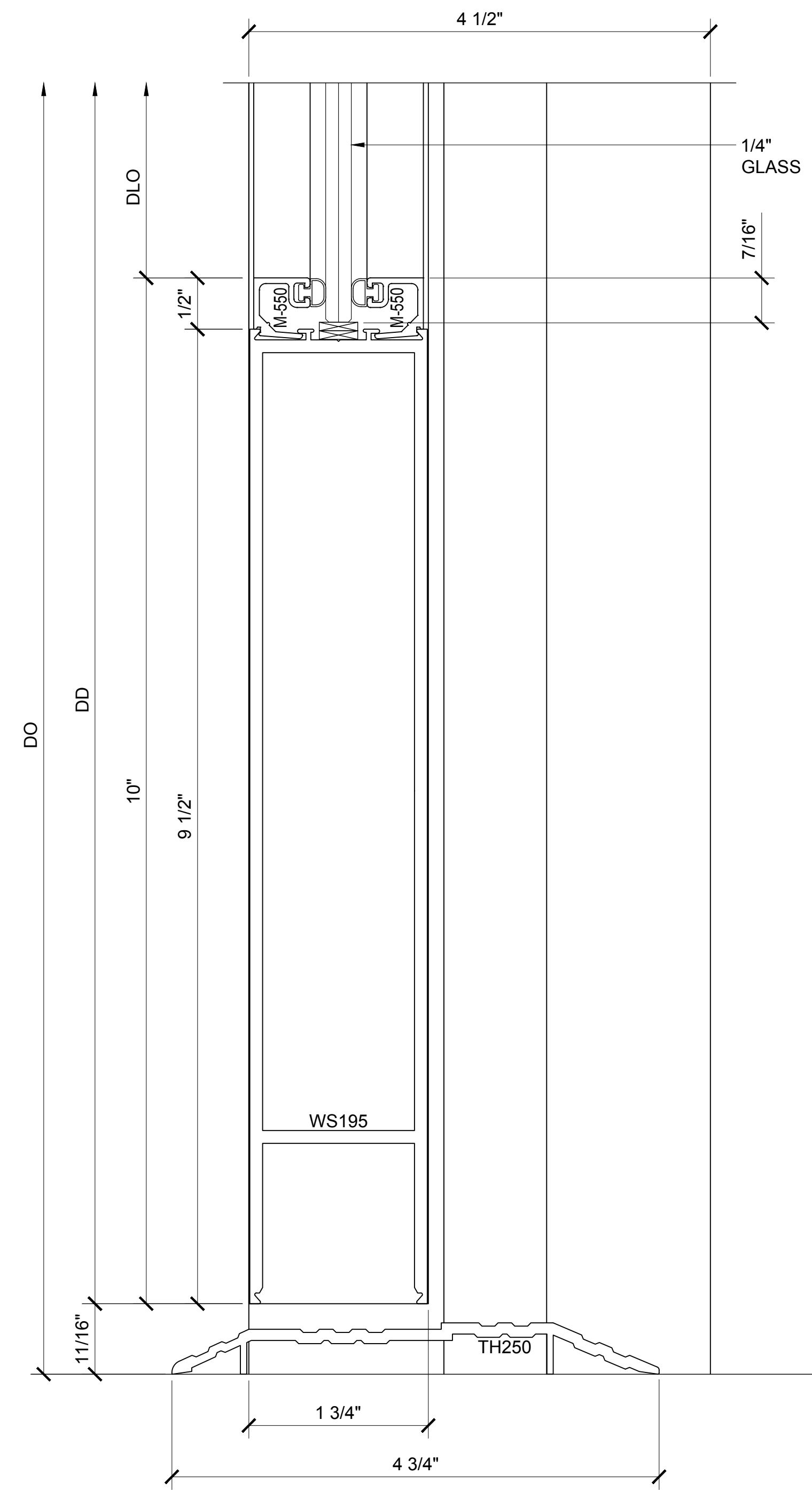
SECTION DETAIL @ DOOR HEAD WITH PIVOT 14



SECTION DETAIL @ DOOR HEAD WITH OHCC 13



SECTION DETAIL @ DOOR SILL 15



SECTION DETAIL @ ADA DOOR SILL 16  
(7 1/2" VERSION IS ALSO AVAILABLE)

NARROW STILE OFFSET HUNG SERIES 250 DOOR DETAILS (SHOWN WITH OPTIONAL SERIES 451 STOREFRONT SYSTEM)

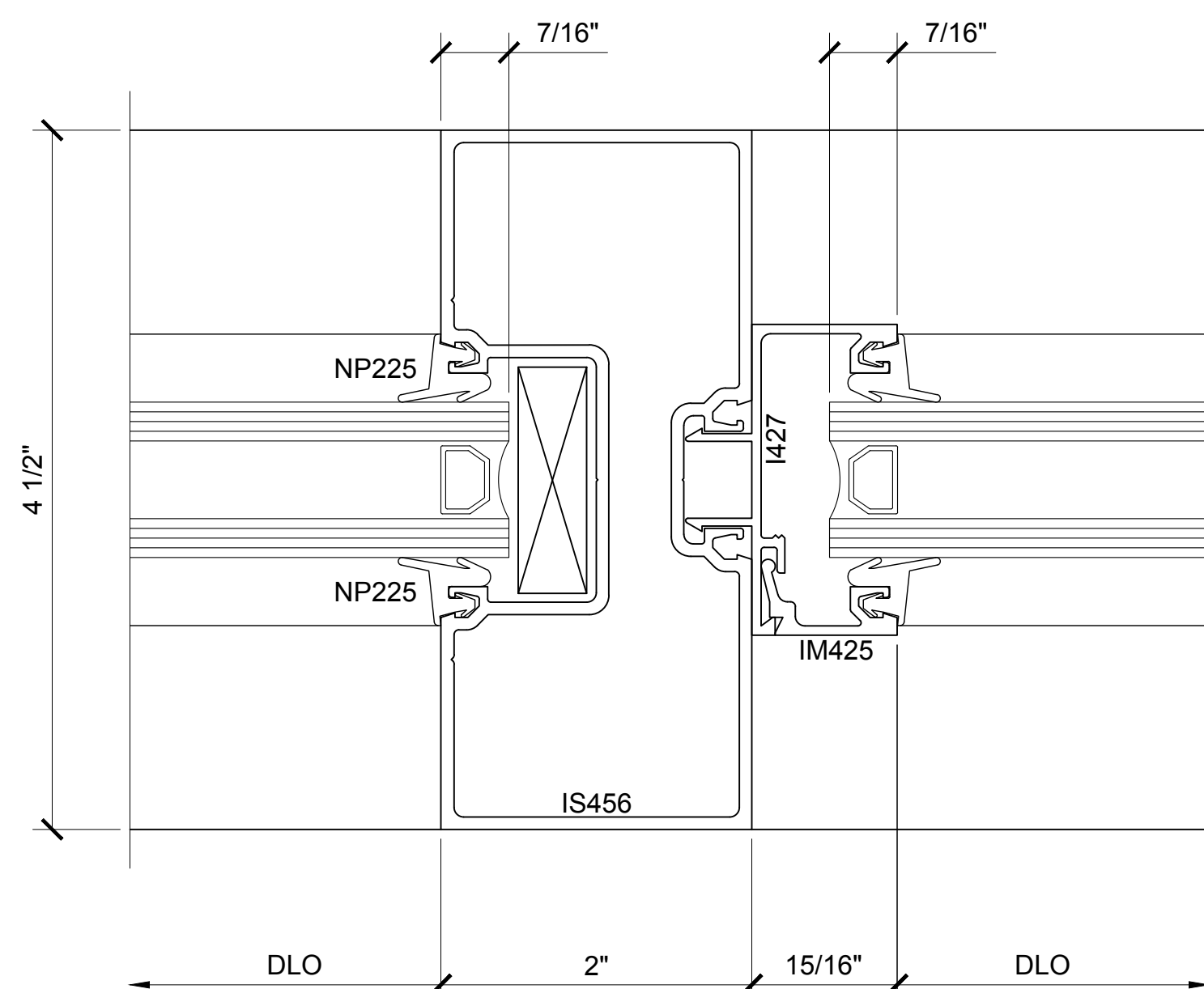
Revisions By:



Description:  
U.S. ALUMINUM  
NARROW STILE SERIES 250  
DOOR SYSTEM

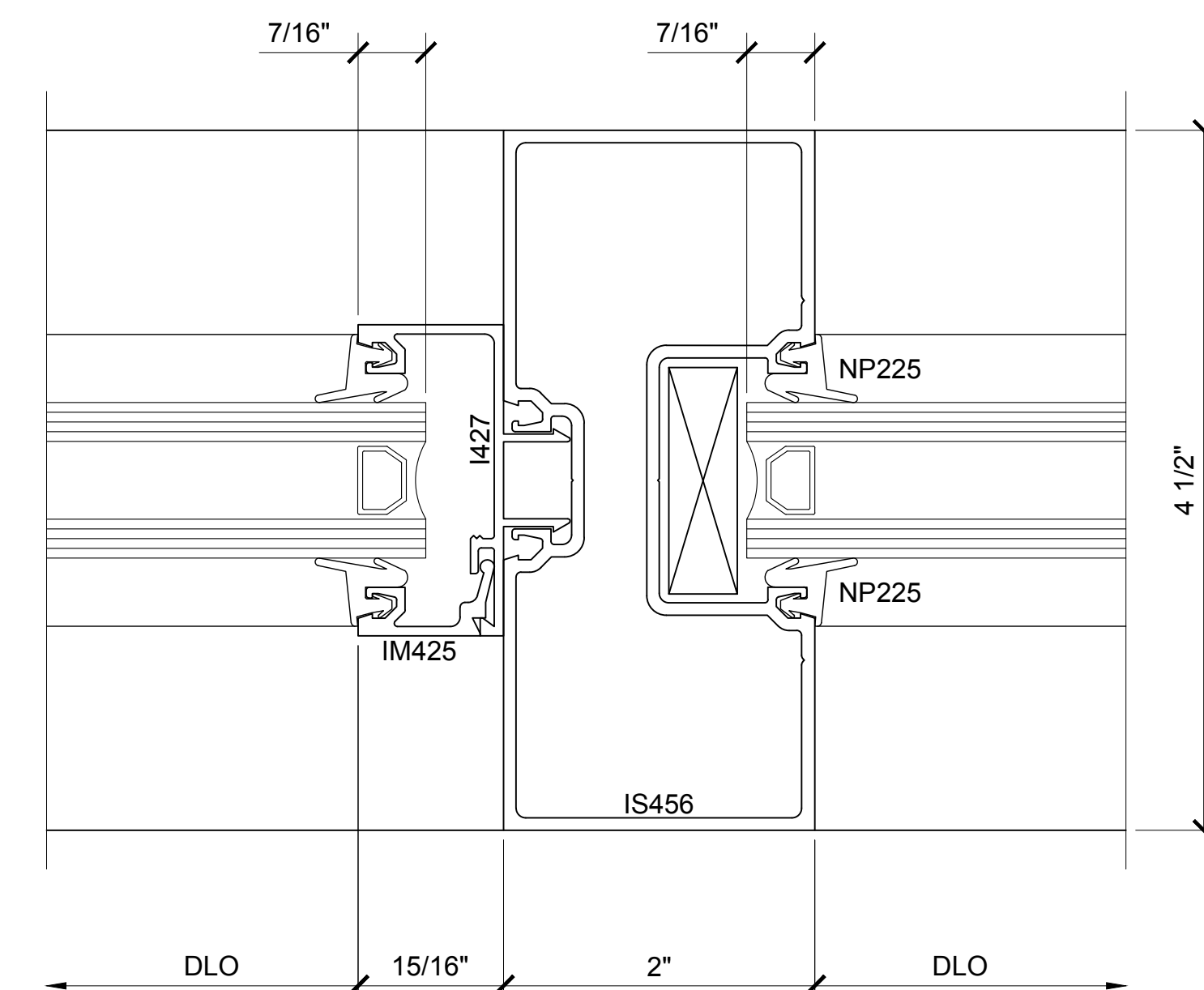
Drawn By: AAD  
Date: 4/22/16  
Scale: AS NOTED  
File Name: 250 NS DRS.dwg

Sheet



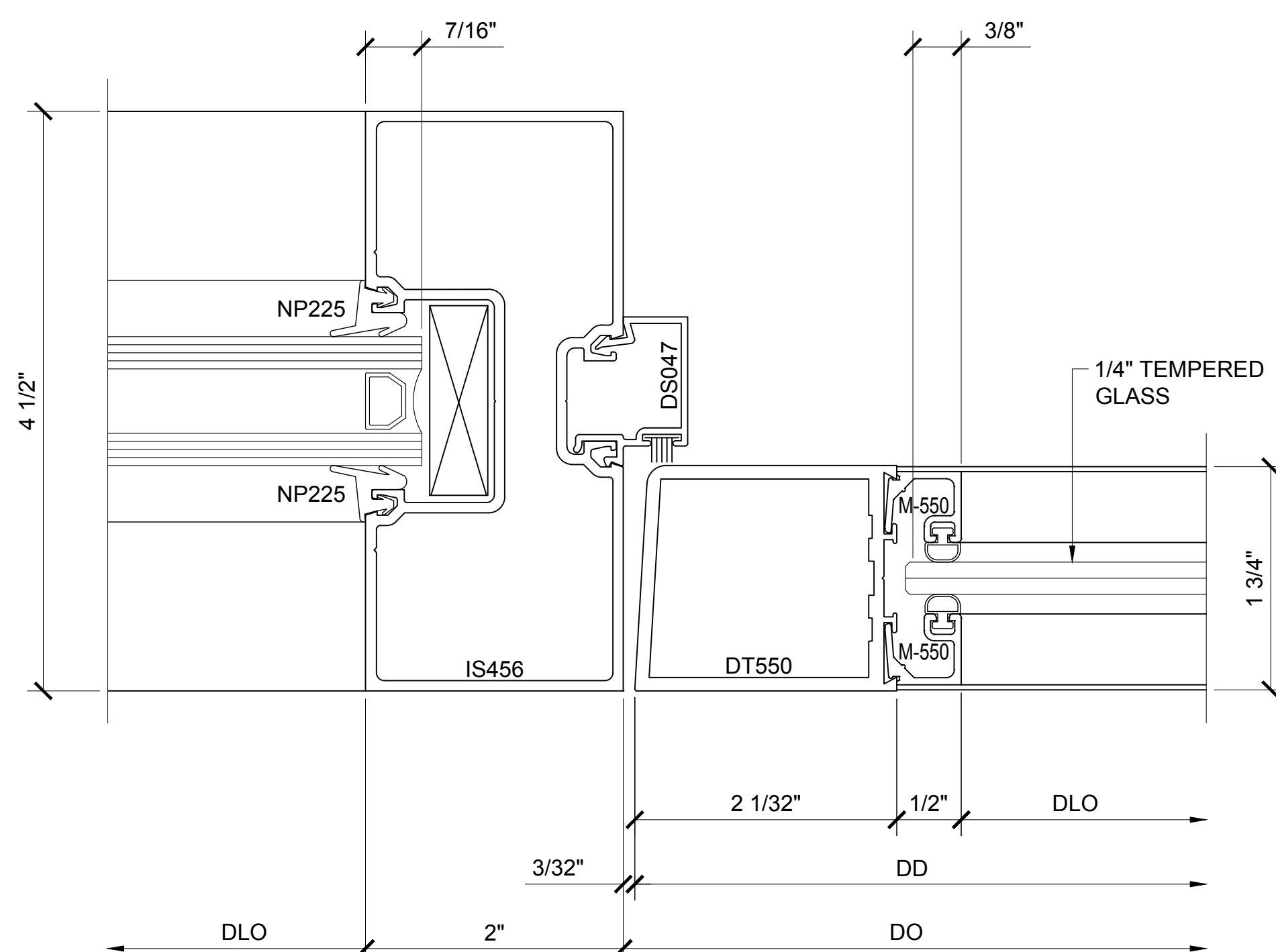
**SECTION DETAIL @ VERTICAL**

17



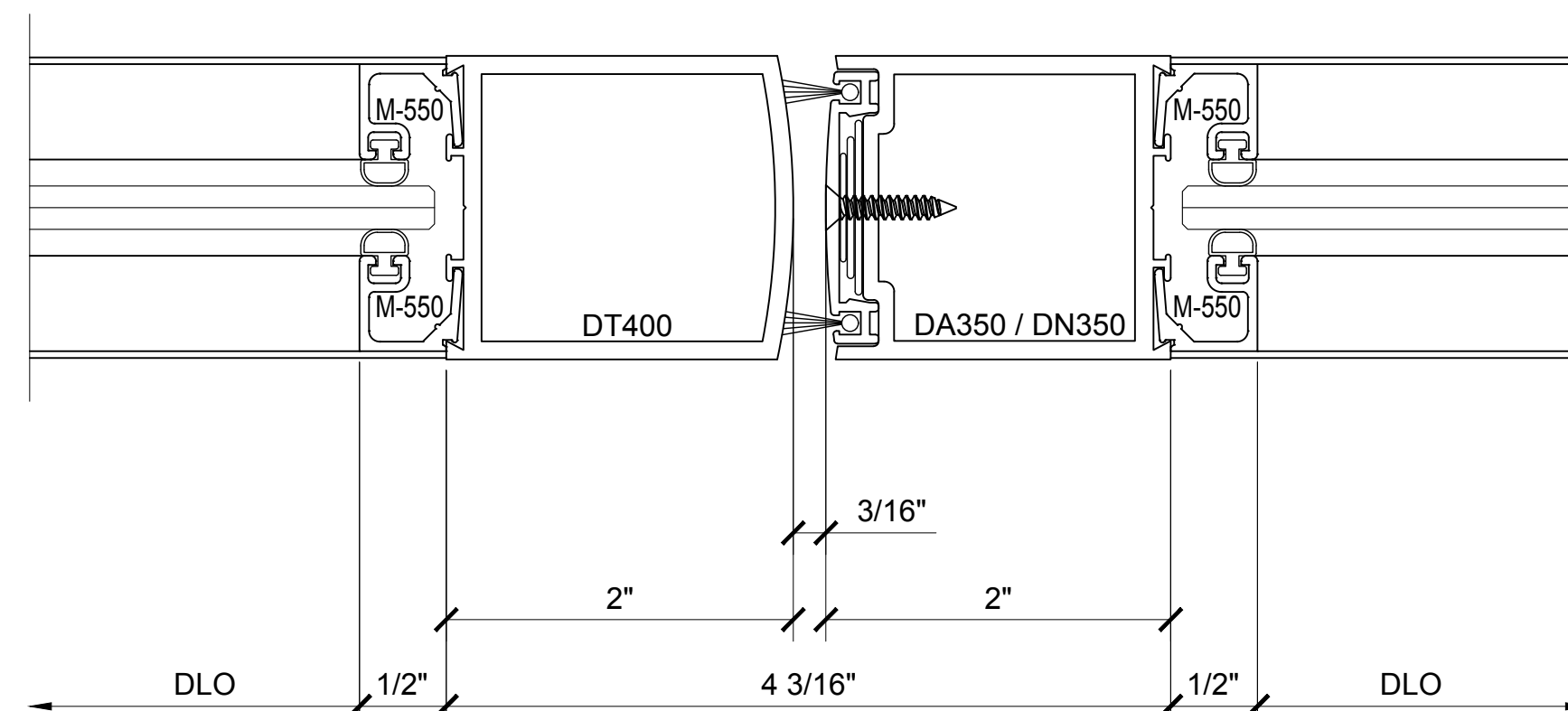
**SECTION DETAIL @ VERTICAL**

20



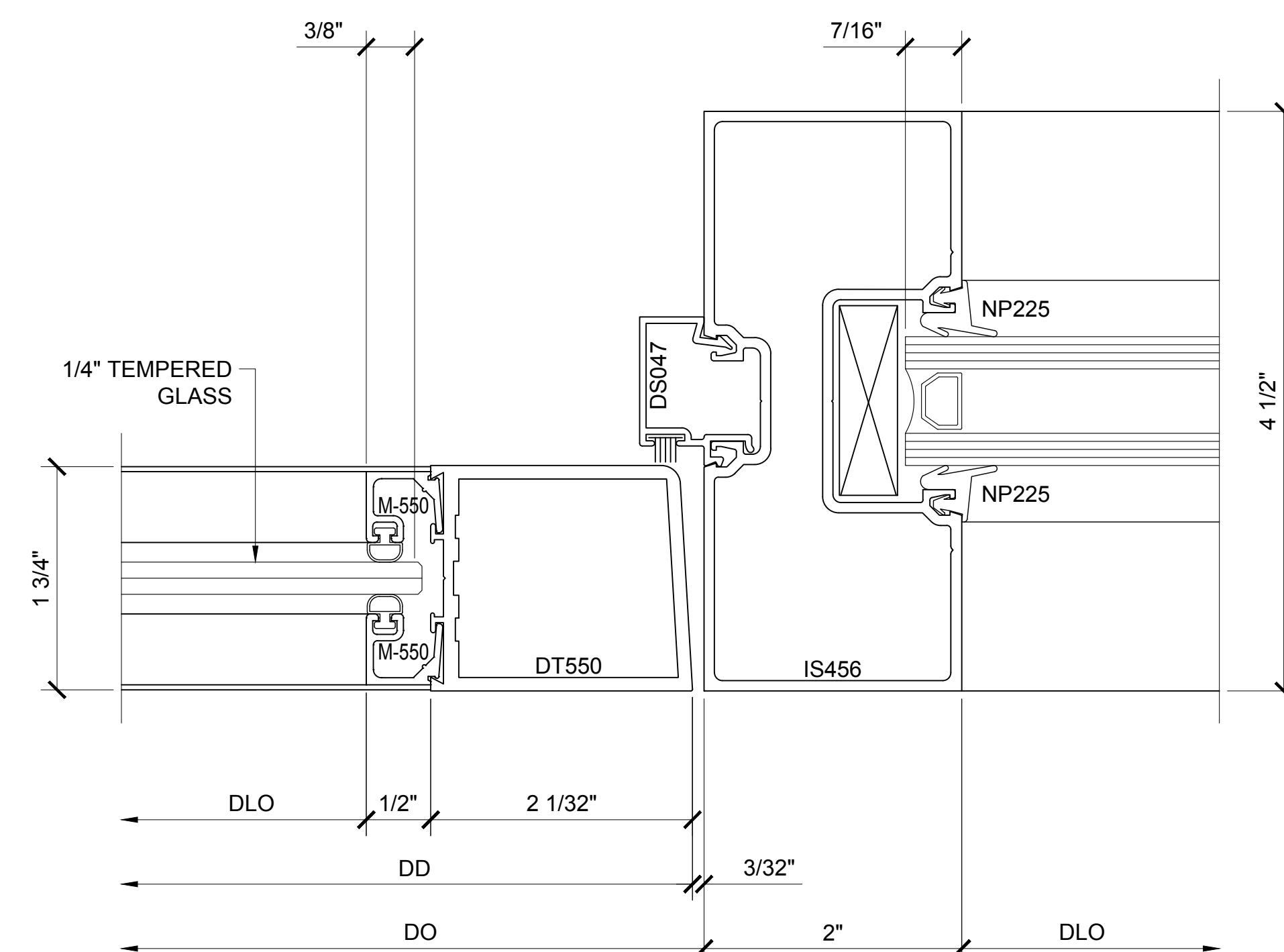
**SECTION DETAIL @ DOOR JAMB**

18



**SECTION DETAIL @ MEETING STILES**

19



**SECTION DETAIL @ DOOR JAMB**

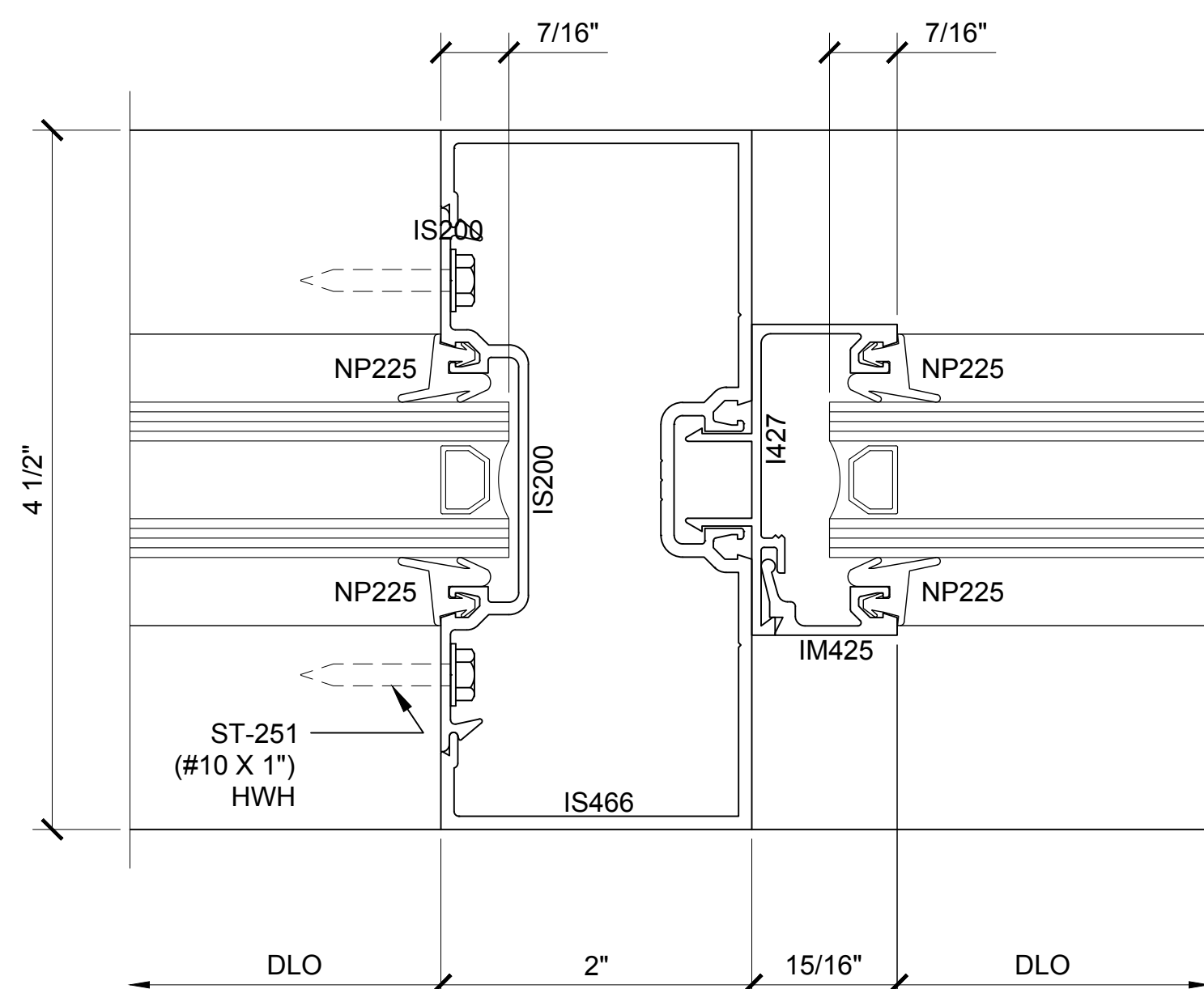
21

**NARROW STILE OFFSET HUNG SERIES 250 DOOR DETAILS (SHOWN WITH OPTIONAL SERIES 451 TUBULAR FRAMING STOREFRONT SYSTEM)**

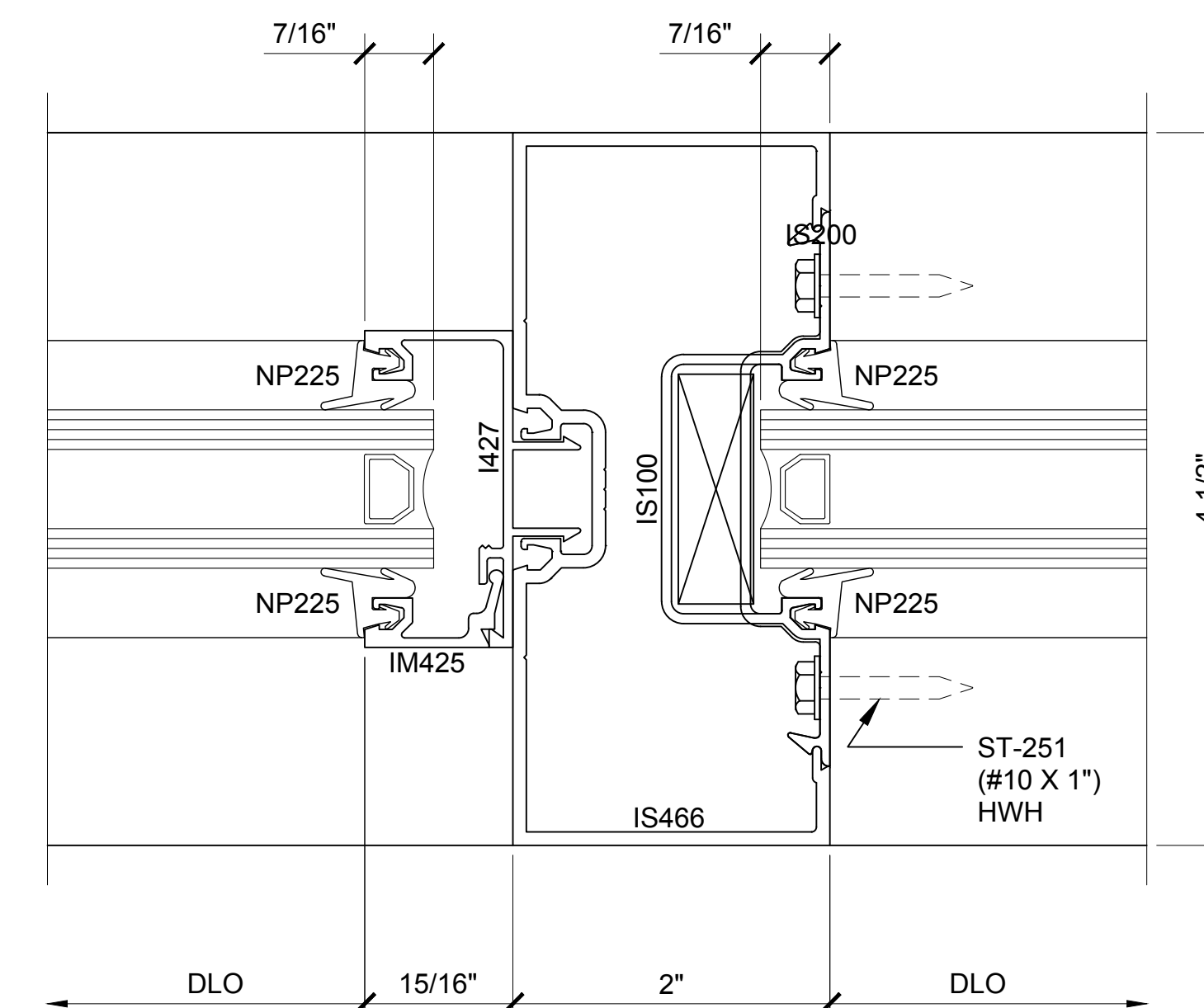
Description:  
 U.S. ALUMINUM  
 NARROW STILE SERIES 250  
 DOOR SYSTEM

Drawn By: AAD  
 Date: 4/22/16  
 Scale: AS NOTED  
 File Name: 250 NS DRS.dwg

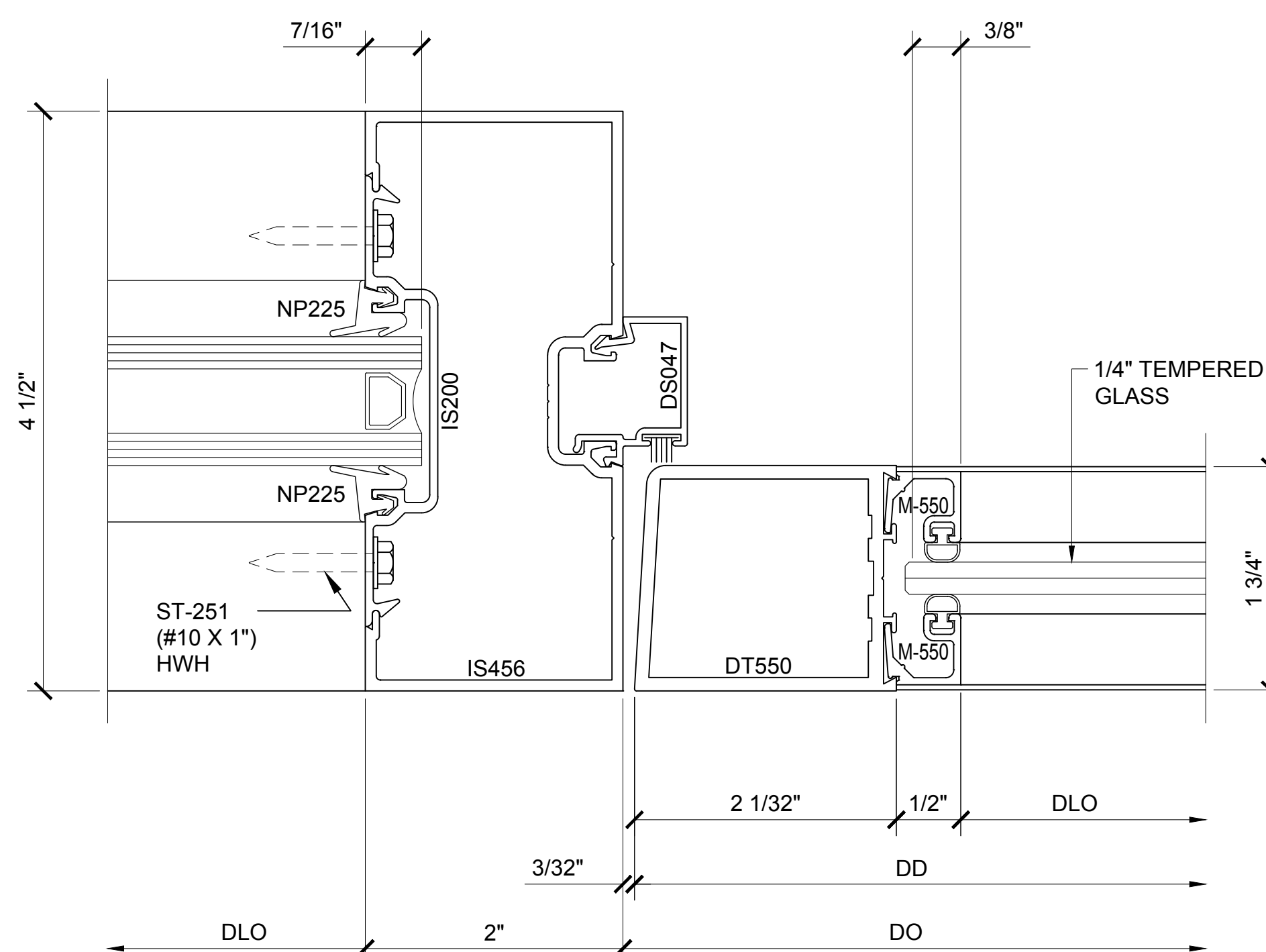
Sheet



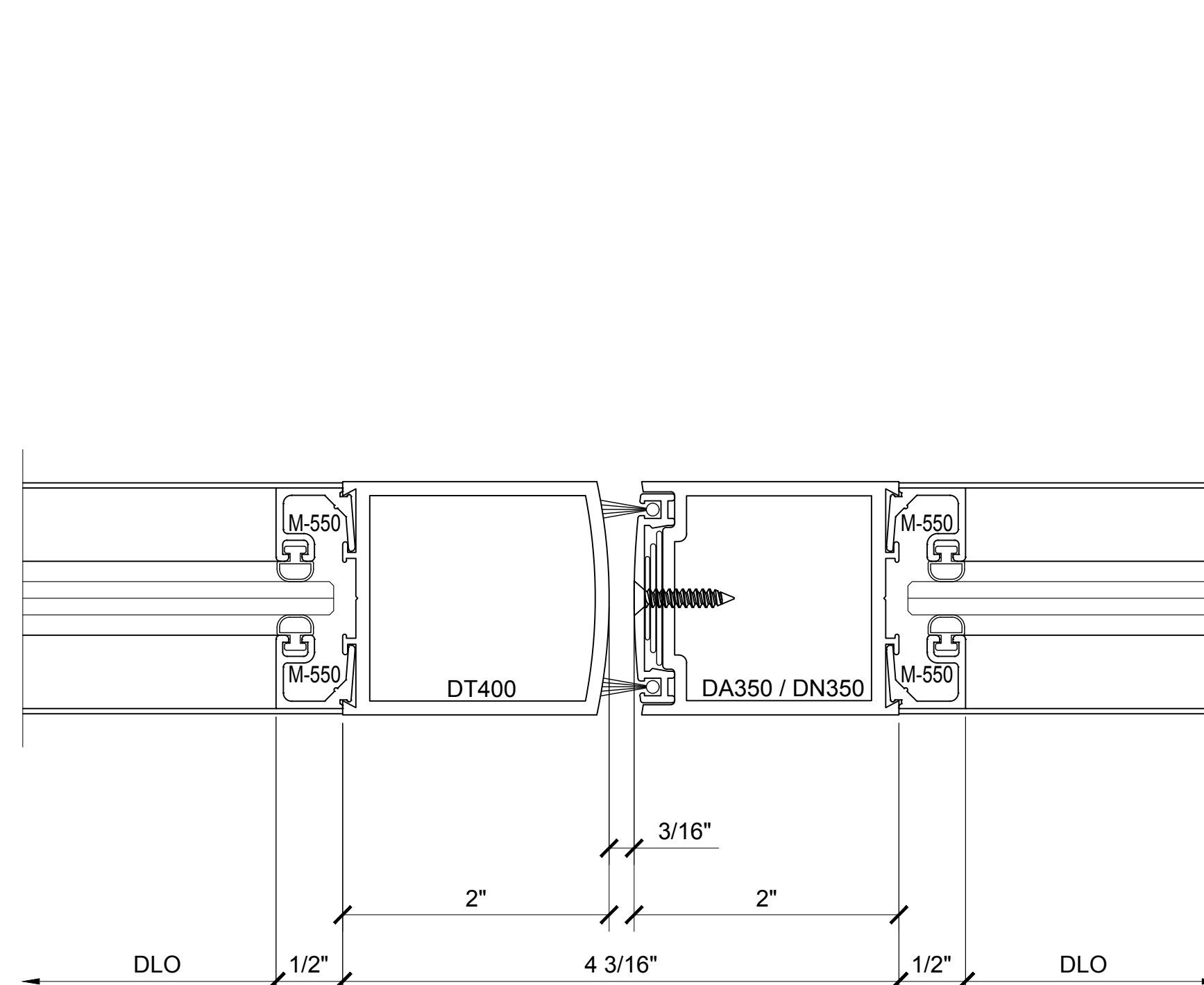
SECTION DETAIL @ VERTICAL 17



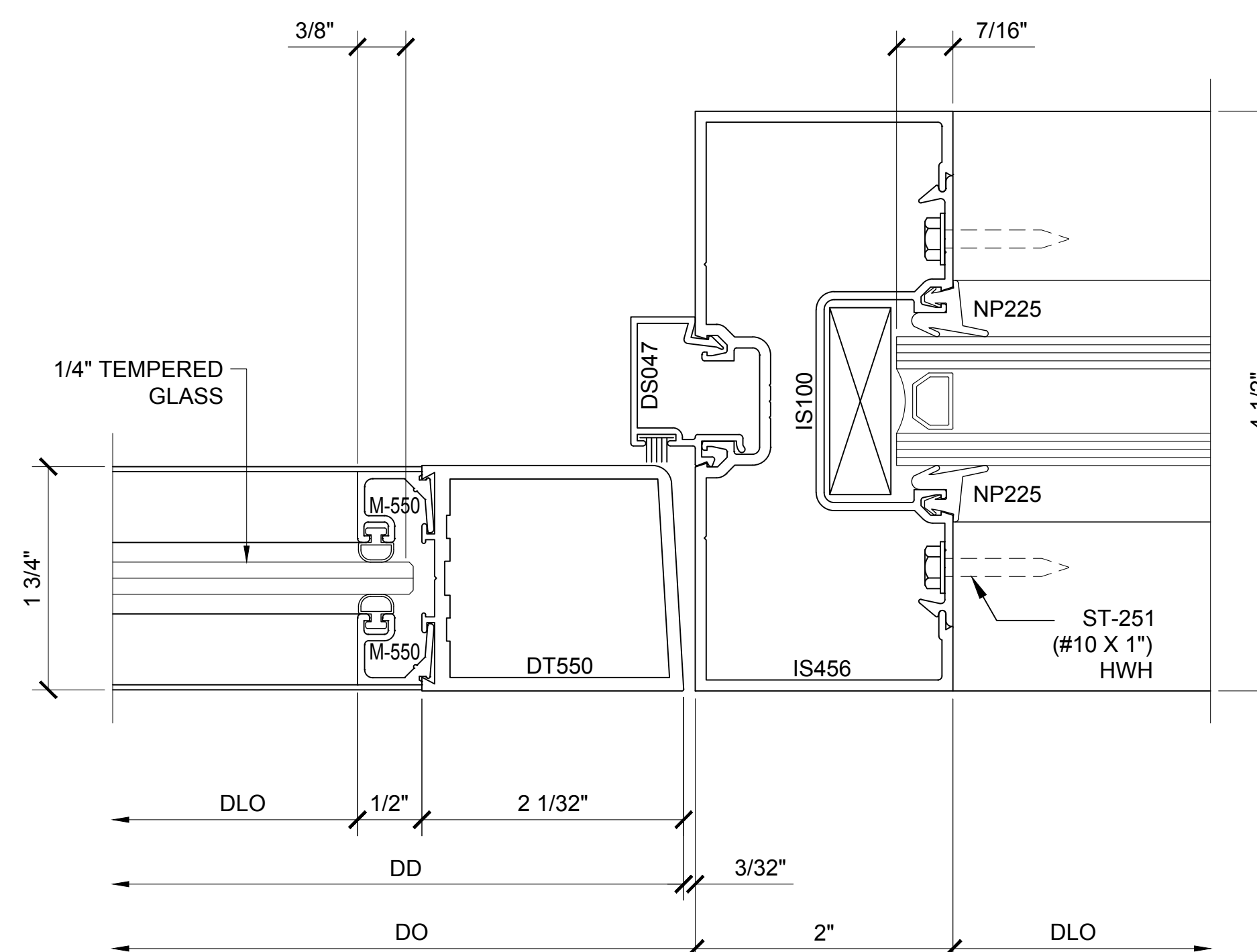
SECTION DETAIL @ VERTICAL 20



SECTION DETAIL @ DOOR JAMB 18



SECTION DETAIL @ MEETING STILES 19



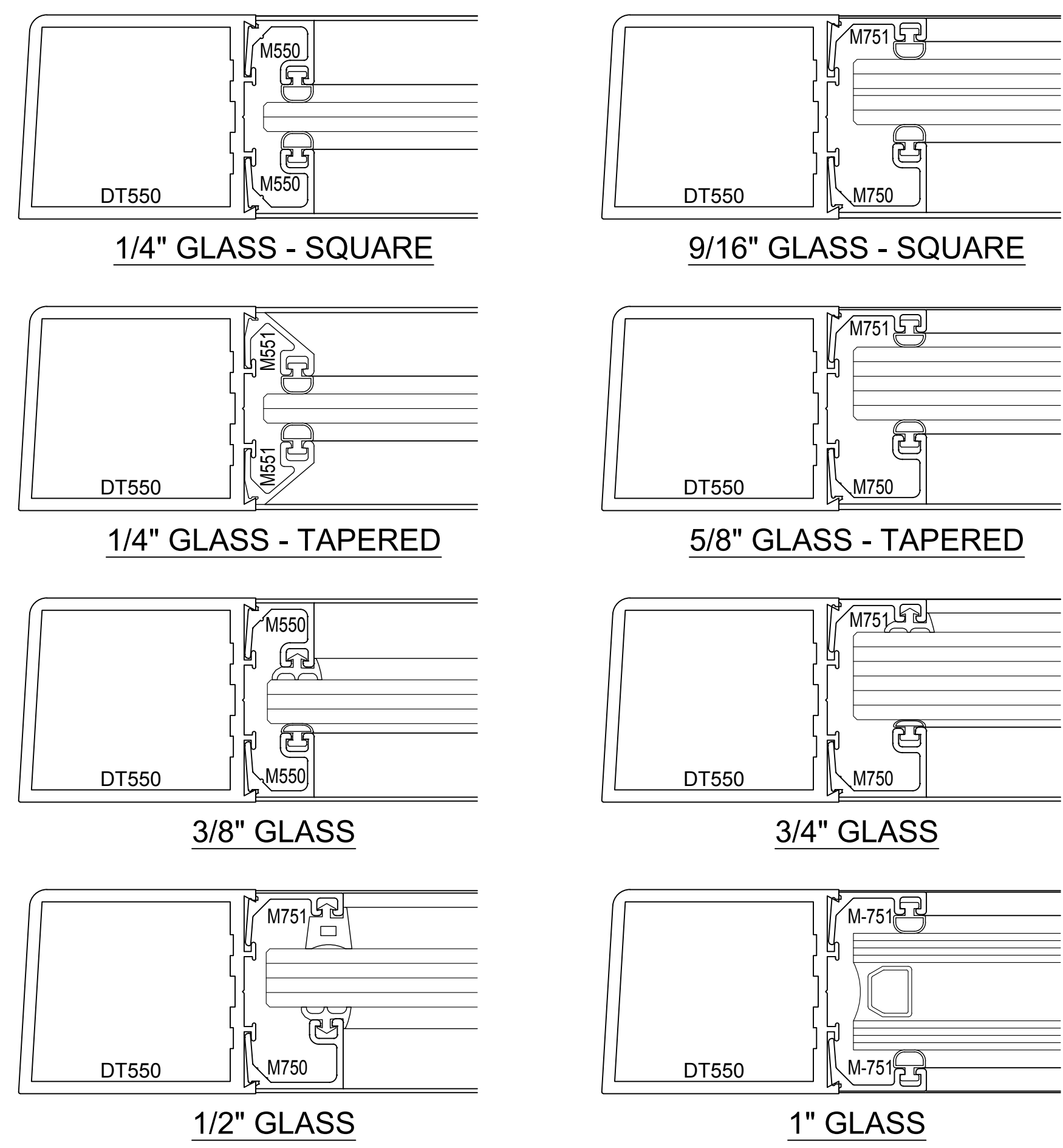
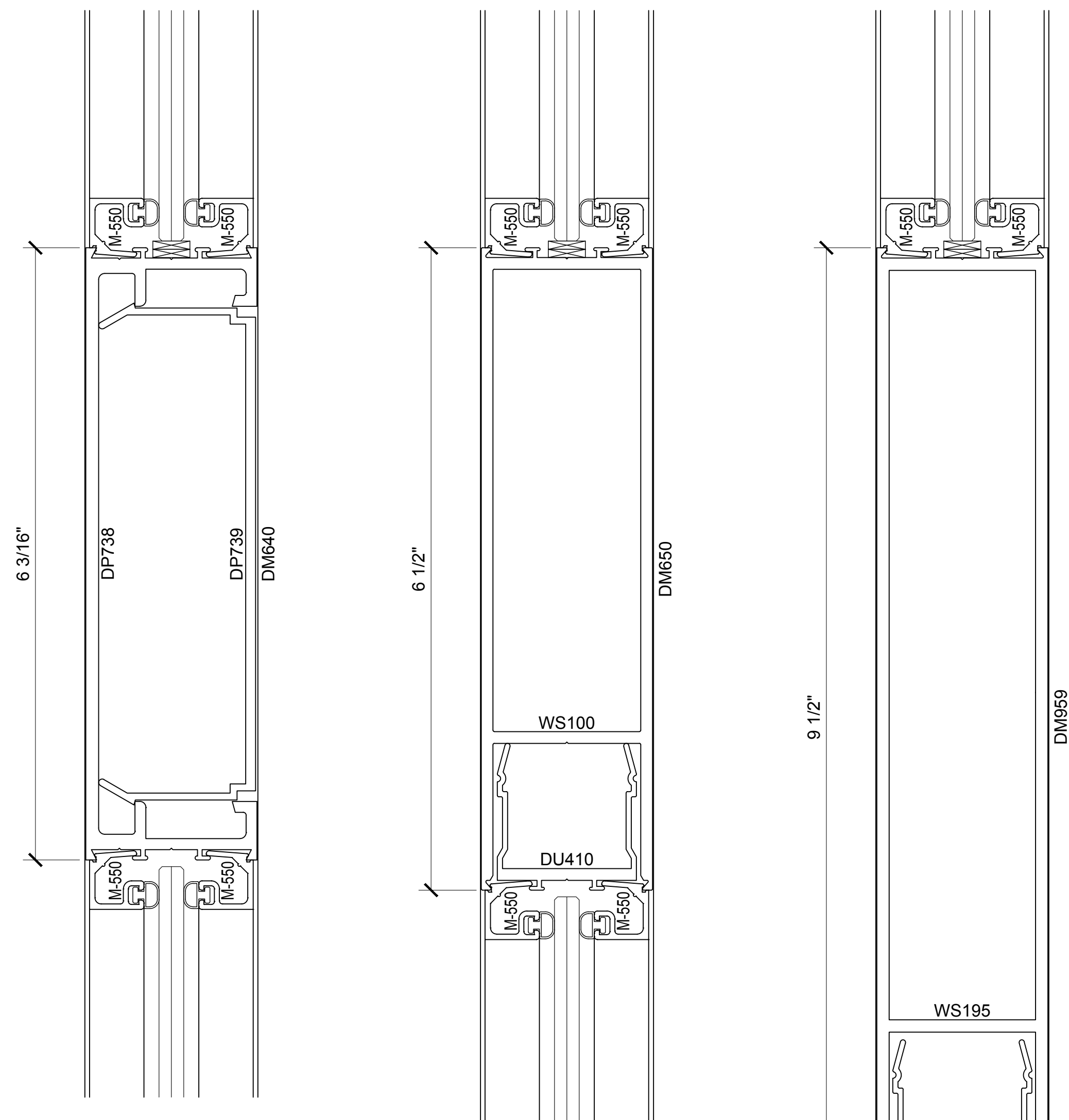
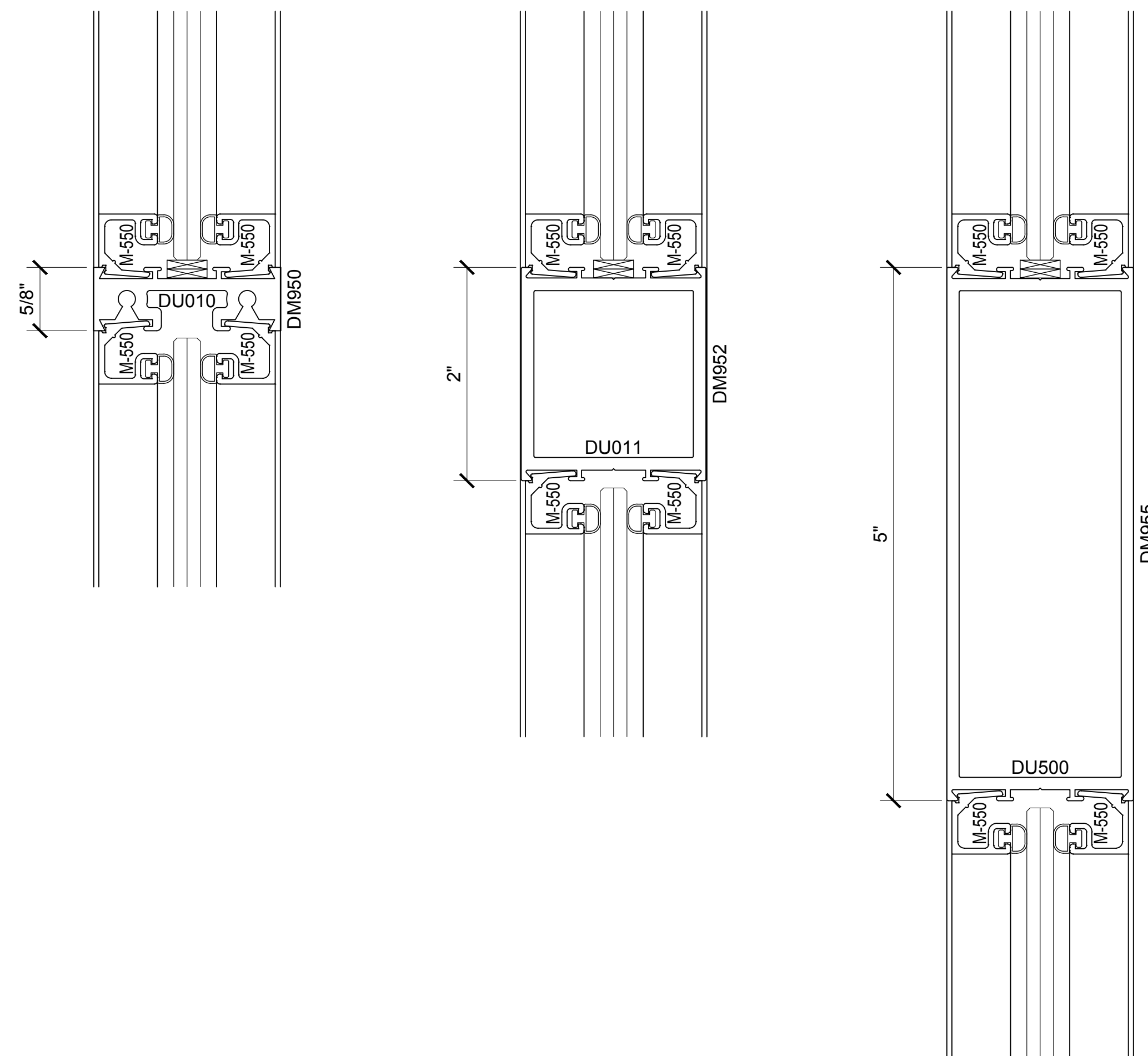
SECTION DETAIL @ DOOR JAMB 21

Description:  
U.S. ALUMINUM  
NARROW STILE SERIES 250  
DOOR SYSTEM

Drawn By: AAD  
Date: 4/22/16  
Scale: AS NOTED  
File Name: 250 NS DRS.dwg

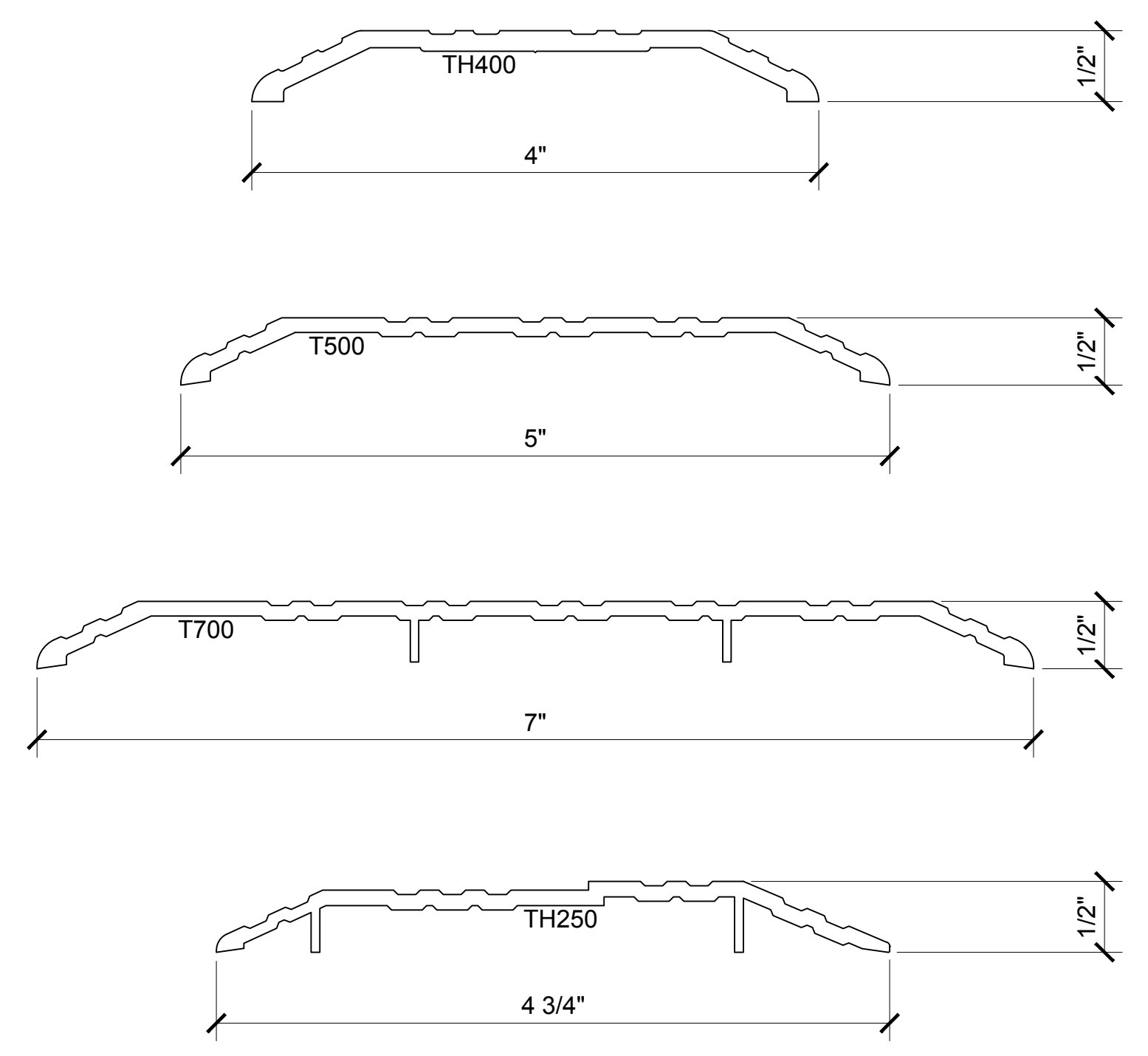
Sheet



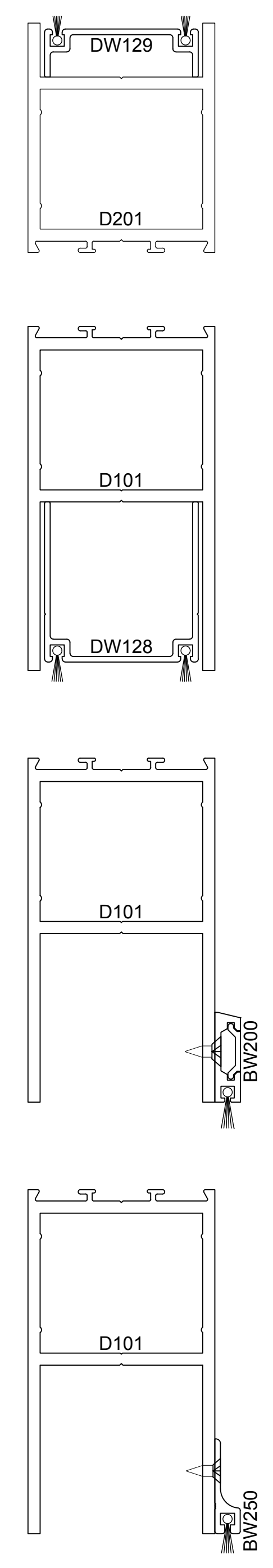


**GLAZING OPTIONS**

**DOOR MUNTINS**



**THRESHOLDS**



**TOP AND BOTTOM WEATHERSTRIPPING**

Revisions By:




Description:  
**U.S. ALUMINUM  
 NARROW STILE SERIES 250  
 DOOR SYSTEM**

Drawn By: AAD  
 Date: 4/22/16  
 Scale: AS NOTED  
 File Name: 250 NS DRS.dwg