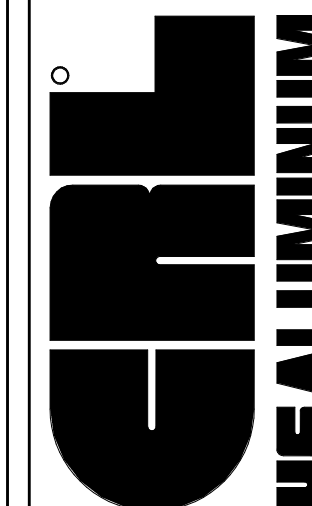
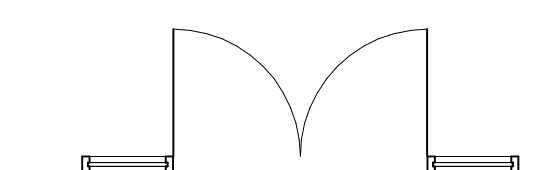


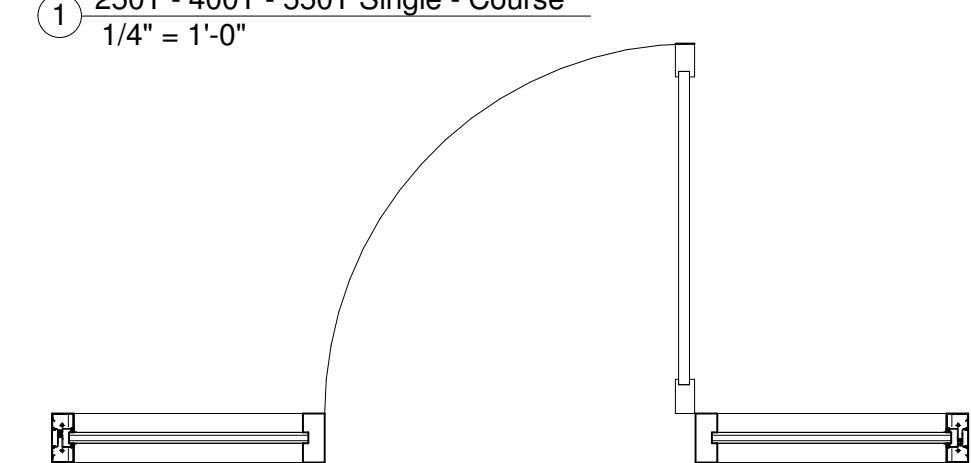
Revisions By:



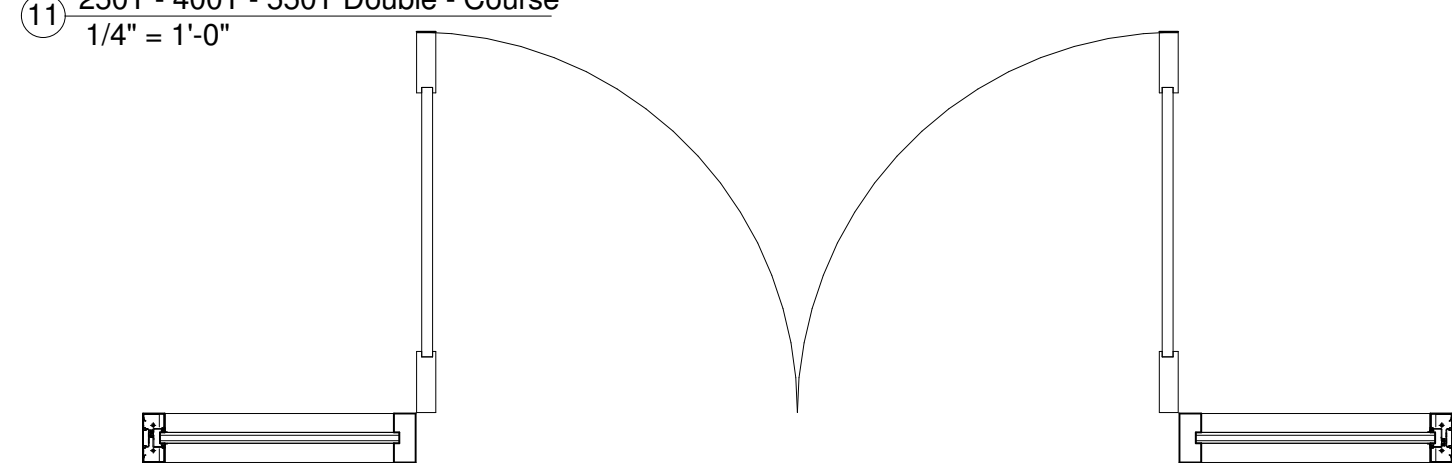
1 250T - 400T - 550T Single - Course  
1/4" = 1'-0"



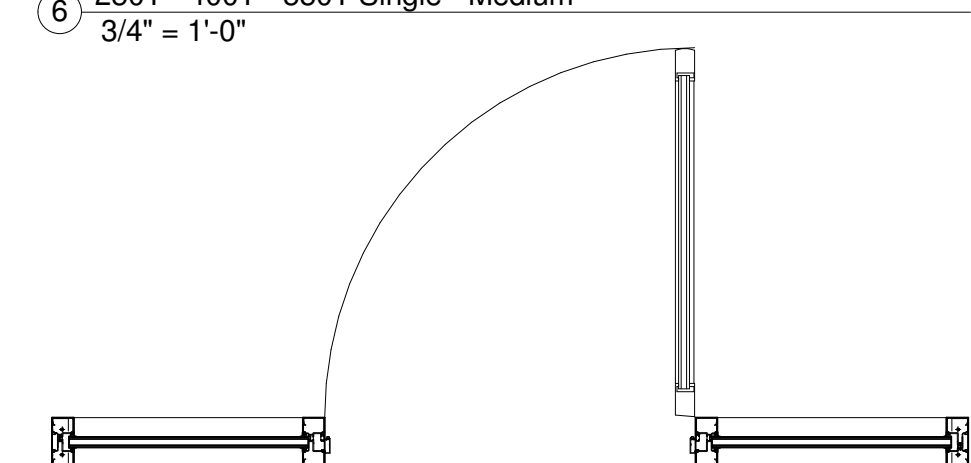
11 250T - 400T - 550T Double - Course  
1/4" = 1'-0"



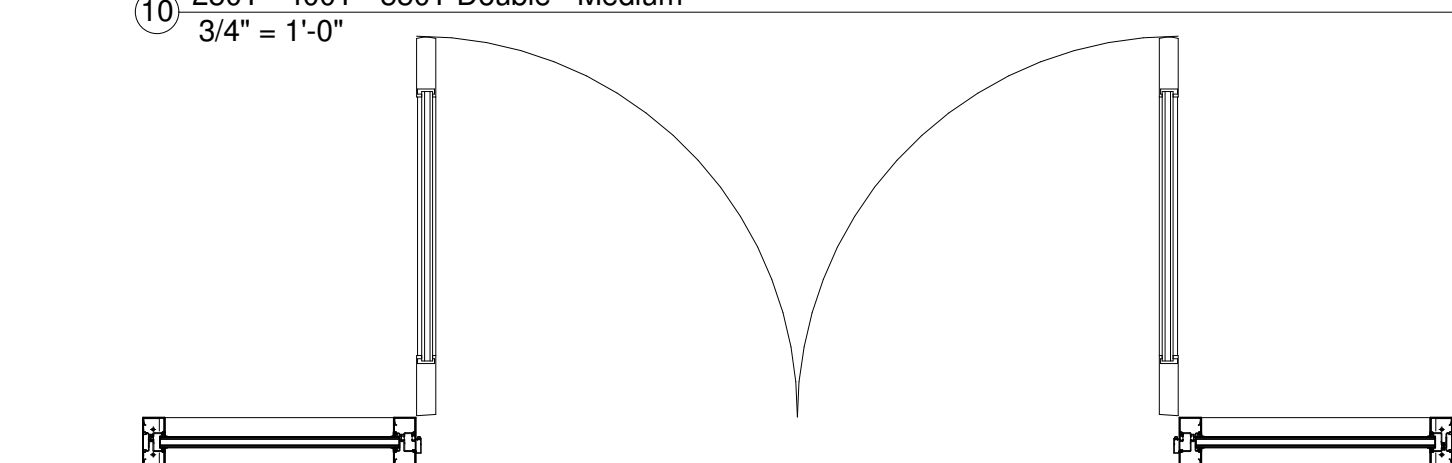
6 250T - 400T - 550T Single - Medium  
3/4" = 1'-0"



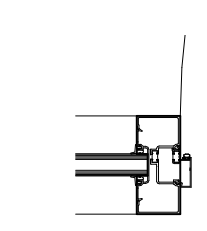
10 250T - 400T - 550T Double - Medium  
3/4" = 1'-0"



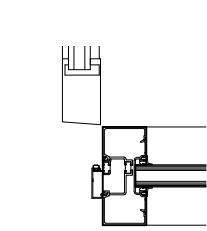
5 250T - 400T - 550T Single - Fine  
3/4" = 1'-0"



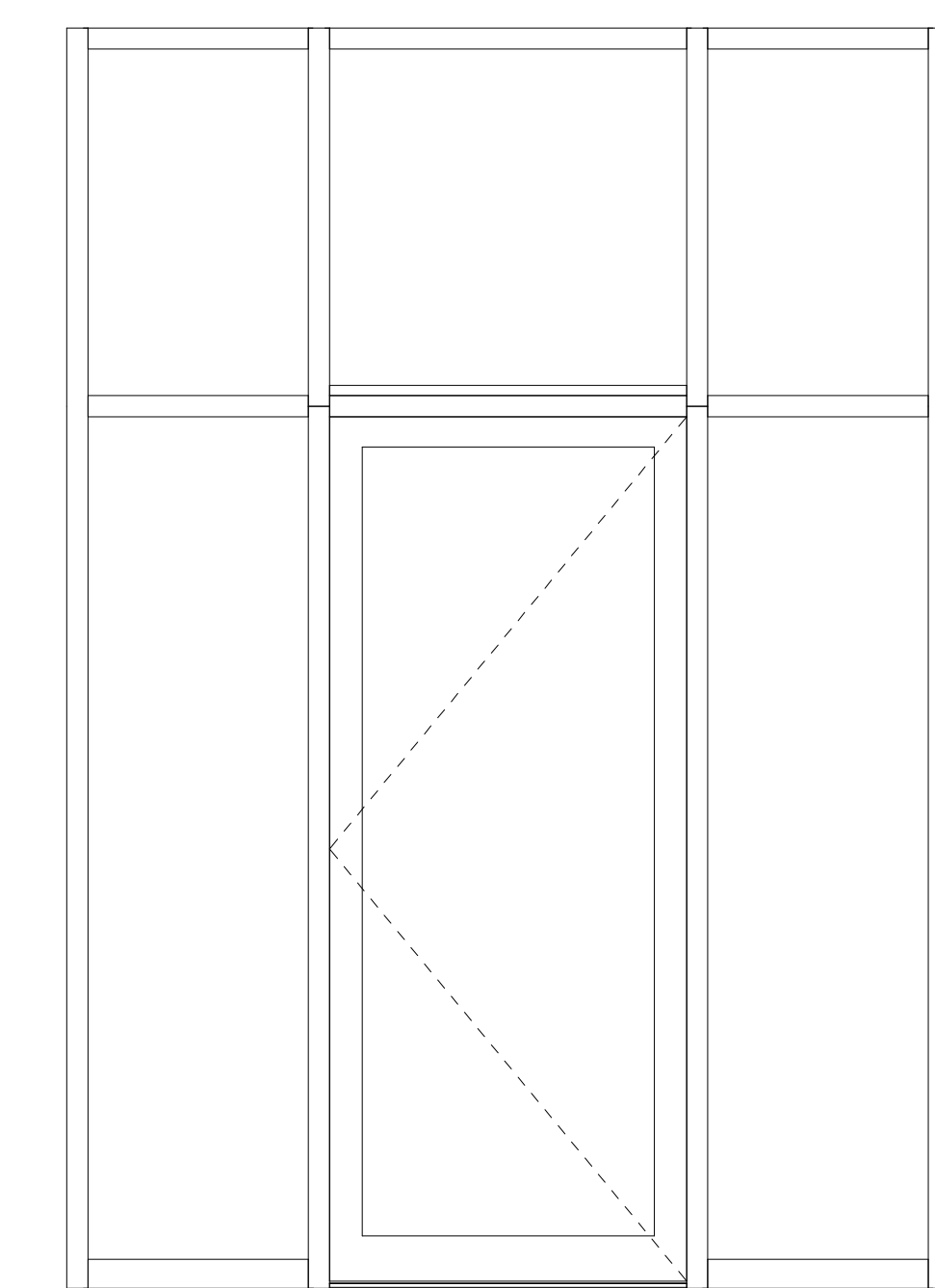
9 250T - 400T - 550T Double - Fine  
3/4" = 1'-0"



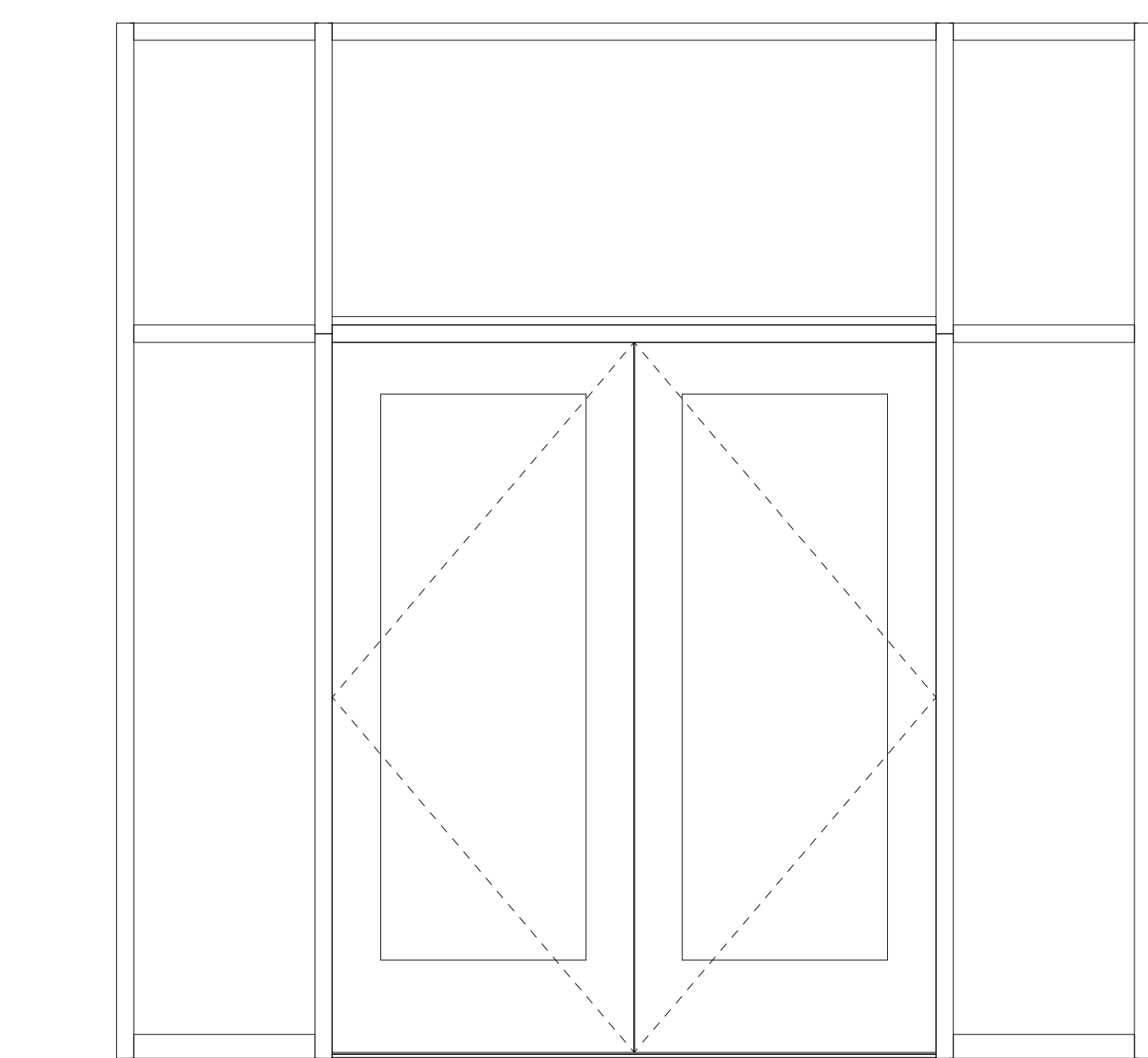
3 250T - 400T - 550T Jamb  
1 1/2" = 1'-0"



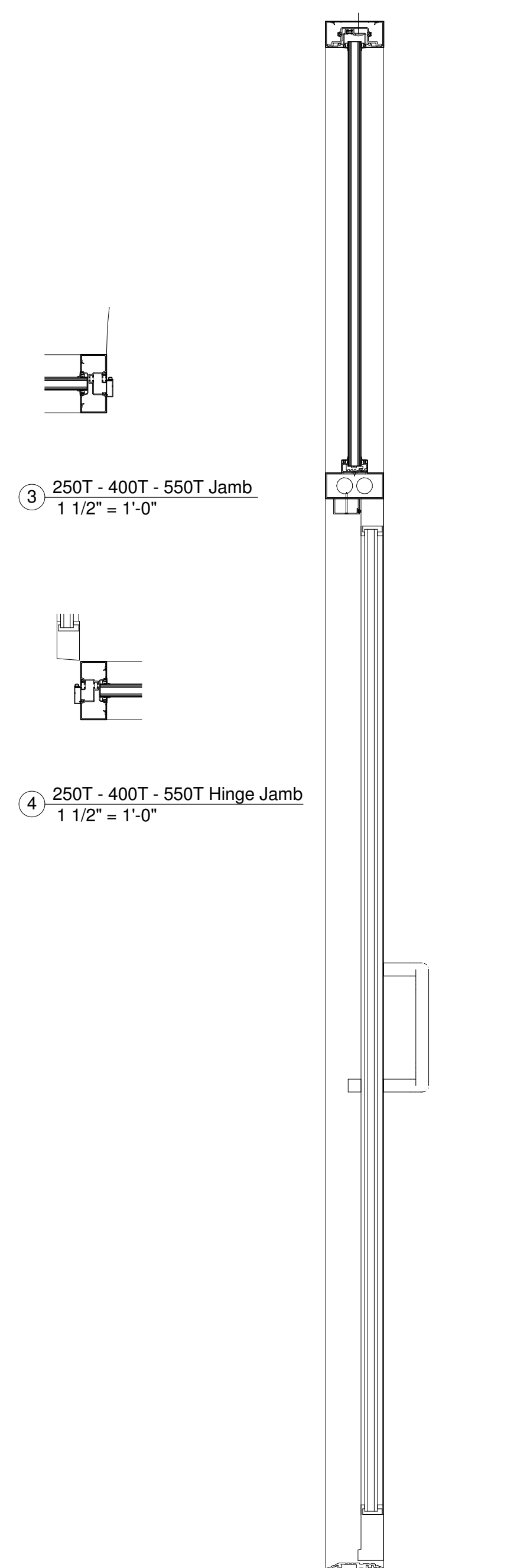
4 250T - 400T - 550T Hinge Jamb  
1 1/2" = 1'-0"



2 250T - 400T - 550T Single Elevation  
3/4" = 1'-0"



8 250T - 400T - 550T Double Elevation  
3/4" = 1'-0"



7 250T - 400T - 550T Section  
1 1/2" = 1'-0"

Description  
**CURTAIN DOOR  
(250T-400T-550T)**

Drawn by:

Date:

Scale:

File name:

Sheet