

WINDOW WALLS

Table of Contents

OS-2 Systems

- Series OS175 & OS175SG
- Series OS450 & OS450SG
- Series OS451 & OS451SG
- Series OS600 & OS600SG
- Series OS601 & OS601SG

SECTION C3

PAGE

SPECIFICATIONS	02-C3 and 03-C3
SPECIAL FEATURES	04-C3 and 05-C3
TECHNICAL DATA	06-C3 and 07-C3

Series OS175 and OS175SG

TYPICAL DETAILS	08-C3
WINDLOAD AND DEADLOAD CHARTS	09-C3

Series OS450 and OS450SG

TYPICAL DETAILS	10-C3 thru 15-C3
WINDLOAD CHARTS	16-C3 and 17-C3
DEADLOAD CHARTS	18-C3

Series OS451 and OS451SG

TYPICAL DETAILS	19-C3 thru 26-C3
WINDLOAD CHARTS	27-C3 and 28-C3
DEADLOAD CHARTS	29-C3

Series OS600 and OS600SG

TYPICAL DETAILS	30-C3 thru 35-C3
WINDLOAD CHARTS	36-C3 and 37-C3
DEADLOAD CHARTS	38-C3

Series OS601 and OS601SG

TYPICAL DETAILS	39-C3 thru 46-C3
WINDLOAD CHARTS	47-C3 and 48-C3
DEADLOAD CHARTS	49-C3
STRUCTURAL SILICONE CHART	50-C3

Due to the diversity in state/provincial, local, and federal laws, and codes that govern the design and application of architectural products, it is the responsibility of the individual architect, owner, and installer to ensure that products selected for use on projects comply with all applicable building codes and laws. U.S. Aluminum exercises no control over the use or application of its products, glazing materials, and operating hardware, and assumes no responsibility thereof.

The rapidly changing technology within the architectural aluminum products industry demands that U.S. Aluminum reserve the right to revise, discontinue or change any product line, specification or electronic media without prior written notice.

NOTE: Dimensions in parentheses () are millimeters unless otherwise noted.

Other metric units shown in this publication are:

m - meter	Kg - kilogram
Pa - pascal	KPa - kilopasc
MPa - megapascal	

Specifications

OS-2 Systems

- Series OS175
- Series OS450
- Series OS451
- Series OS600
- Series OS601

SECTION 08 43 13 ALUMINUM FRAMED STOREFRONTS

SERIES	FACE WIDTH	HEAD/SILL DEPTH	GLAZING INFILL	GLAZING METHOD
OS175	2" (50.8)	2" (50.8)	1/4" (6) or 3/8" (10)	Exterior
OS450	2" (50.8)	4-3/4" (120.7)	1/4" (6) or 3/8" (10)	Exterior/Interior
OS451			1" (25)	
OS600	2" (50.8)	6-1/4" (158.8)	1/4" (6) or 3/8" (10)	
OS601			1" (25)	

I. GENERAL DESCRIPTION

Work Included: Furnish all necessary materials, labor, and equipment for the complete installation of aluminum framing as shown on the drawings and specified herein. *(Specifier Note: It is suggested that related items such as aluminum entrance doors, glass, and sealants be included whenever possible.)*

Work Not Included: Structural support of the framing system, interior closures, trim. *(Specifier list other exclusions).*

Related Work Specified Elsewhere: *(Specifier list).*

QUALITY ASSURANCE

Drawings and specifications are based on the Series *(Specify)* OS-2 Systems as manufactured by U.S. Aluminum. Whenever substitute products are to be considered, supporting technical literature, samples, drawings, and performance data must be submitted 10 days prior to bid in order to make a valid comparison of the products involved. Test reports certified by an independent test laboratory must be made available upon request.

PERFORMANCE REQUIREMENTS

Air Infiltration: shall be tested in accordance with ASTM E 283. Infiltration shall not exceed .06 cfm per square foot (.0003m³/sm²) of fixed area when tested at 6.24 psf (300 Pa).

Water Infiltration: shall be tested in accordance with ASTM E 331. No water penetration at test pressure of 8 psf (384 Pa).

Structural Performance: shall be tested in accordance with ASTM E 330 and based on:

- Maximum deflection of L/175 of the span
- Allowable stress with a safety factor of 1.65

The system shall perform to this criteria under a windload of *(Specify)* psf.

Testing Procedures - ASTM 283, E 331, and E 330 - Laboratory performance testing. AAMA 503-08 - Newly installed OS systems. AAMA 511-08 - Installed OS systems after six months.

II. PRODUCTS MATERIALS

Extrusions shall be 6063-T5 alloy and temper (ASTM B221 alloy T5 temper). Fasteners, where exposed, shall be aluminum, stainless steel or zinc plated steel in accordance with ASTM A 164. Perimeter anchors shall be aluminum or steel, providing the steel is properly isolated from the aluminum. Glazing gaskets shall be E.P.D.M. elastomeric extrusions.

FINISH

All exposed framing surfaces shall be free of scratches and other serious blemishes. Aluminum extrusions shall be given a caustic etch followed by an anodic oxide treatment to obtain...

- (Specify one of the following):*
- ____ #11 Clear anodic coating
 - ____ #22 Dark Bronze anodic coating
 - ____ #33 Black anodic coating

A fluoropolymer paint coating conforming to the requirements of AAMA 2605. Color shall be *(Specify a U.S. Aluminum standard color).*

FABRICATION

The framing system shall provide continuous head and sill channels spliced together with formed brake metal sleeves at center of vertical mullions as required for thermal expansion and to ensure a continuous sill gutter to handle infiltrated water. The sill channel shall provide for exterior weepage through 1/4" (6.4) diameter weep holes located at approximately 6" (152.4) on each side of vertical mullions. The framing system shall provide for flush glazing on all sides with no projecting stops. Vertical and horizontal framing members shall have a nominal face dimension of 2" (50.8). Overall depth shall be 2" (50.8), 4-3/4" (120.7) or 6-1/4" (158.8). Entrance framing members shall be compatible with glass framing in appearance.

III. EXECUTION INSTALLATION

All glass framing shall be set in correct locations as shown in the details, and shall be level, square, plumb, and in alignment with other work in accordance with the manufacturer's installation instructions and approved shop drawings. All joints between framing and the building structure shall be sealed in order to secure a watertight installation.

PROTECTION AND CLEANING

After installation the General Contractor shall adequately protect exposed portions of aluminum surfaces from damage by grinding and polishing compounds, plaster, lime, acid, cement, or other contaminants. The General Contractor shall be responsible for final cleaning.

WINDOW WALLS

Specifications

SECTION 08 43 13 ALUMINUM FRAMED STOREFRONTS

OS-2 Systems

- Series OS175SG
- Series OS450SG
- Series OS451SG
- Series OS600SG
- Series OS601SG

SERIES	FACE WIDTH	HEAD/SILL DEPTH	GLAZING INFILL	GLAZING METHOD
OS175SG	2" (50.8)	2" (50.8)	1/4" (6) or 3/8" (10)	Exterior
OS450SG	2" (50.8)	4-3/4" (120.7)	1/4" (6) or 3/8" (10)	
OS451SG			1" (25)	
OS600SG	2" (50.8)	6-1/4" (158.8)	1/4" (6) or 3/8" (10)	
OS601SG			1" (25)	

I. GENERAL DESCRIPTION

Work Included: Furnish all necessary materials, labor, and equipment for the complete installation of aluminum framing as shown on the drawings and specified herein. (*Specifier Note: It is suggested that related items such as aluminum entrance doors, glass, and sealants be included whenever possible.*)

Work Not Included: Structural support of the framing system, interior closures, and trim. (*Specifier list other exclusions.*)

Related Work Specified Elsewhere: (*Specifier list.*)

QUALITY ASSURANCE

Drawings and specifications are based on the Series (*Specify*) OS-2 Structural Silicone Glazed Systems as manufactured by U.S. Aluminum. Whenever substitute products are to be considered, supporting technical literature, samples, drawings, and performance data must be submitted 10 days prior to bid in order to make a valid comparison of the products involved. Test reports certified by an independent test laboratory must be made available upon request.

PERFORMANCE REQUIREMENTS

Air Infiltration: shall be tested in accordance with ASTM E 283. Infiltration shall not exceed .06 cfm per square foot (.0003m³/sm²) of fixed area when tested at 6.24 psf (300 Pa).

Water Infiltration: shall be tested in accordance with ASTM E 331. No water penetration at test pressure of 8 psf (383 Pa).

Structural Performance: shall be tested in accordance with ASTM E 330 and based on:

- Maximum deflection of L/175 of the span

- Allowable stress with a safety factor of 1.65

The system shall perform to this criteria under a windload of (*Specify*) psf Stress on structural silicone should not exceed 20 psi (138 KPa.)

Testing Procedures - ASTM 283, E 331, and E 330 - Laboratory performance testing. AAMA 503-08 - Newly installed OS systems. AAMA 511-08 - Installed OS systems after six months.

II. PRODUCTS MATERIALS

Extrusions shall be 6063-T5 alloy and temper (ASTM B221 alloy T5 temper). Fasteners, where exposed, shall be aluminum, stainless steel or zinc plated steel in accordance with ASTM A 164. Perimeter anchors shall be aluminum or steel, providing the steel is properly isolated from the aluminum. Glazing gaskets shall be E.P.D.M. elastomeric extrusions and glass spacers shall be extruded silicone compatible E.P.D.M. All materials that come in contact with the silicone should be tested for compatibility. Samples of aluminum vertical mullions should be submitted to the silicone manufacturer for adhesion evaluation.

FINISH

All exposed framing surfaces shall be free of scratches and other serious blemishes. Aluminum extrusions shall be given a caustic etch followed by an anodic oxide treatment to obtain...

(*Specify one of the following:*)

- ____ #11 Clear anodic coating
- ____ #22 Dark Bronze anodic coating
- ____ #33 Black anodic coating

A fluoropolymer paint coating conforming to the requirements of AAMA 2605. Color shall be (*Specify a U.S. Aluminum standard color.*)

FABRICATION

The framing system shall provide continuous head and sill channels spliced together with extruded aluminum sleeves as required for thermal expansion. The sill member shall provide a continuous gutter for exterior weepage through elongated baffled weep holes.

Vertical mullions shall be stacked into head and sill channels without mechanical fastening to provide for metal expansion and building deflection. System shall be designed for exterior glazing. System shall provide for transition glazing from 1" (25) to 1/4" (6) with glass remaining in same exterior plane. Reusable twist-in temporary plastic glass retainers should be used during structural silicone curing period. Overall depth shall be a nominal dimension of 2" (50.8), 4-3/4" (120.7) or 6-1/4" (158.8).

III. EXECUTION INSTALLATION

All glass framing shall be set in correct locations as shown in the details, and shall be level, square, plumb, and in alignment with other work in accordance with the manufacturer's installation instructions and approved shop drawings. All joints between framing and the building structure shall be sealed in order to secure a watertight installation.

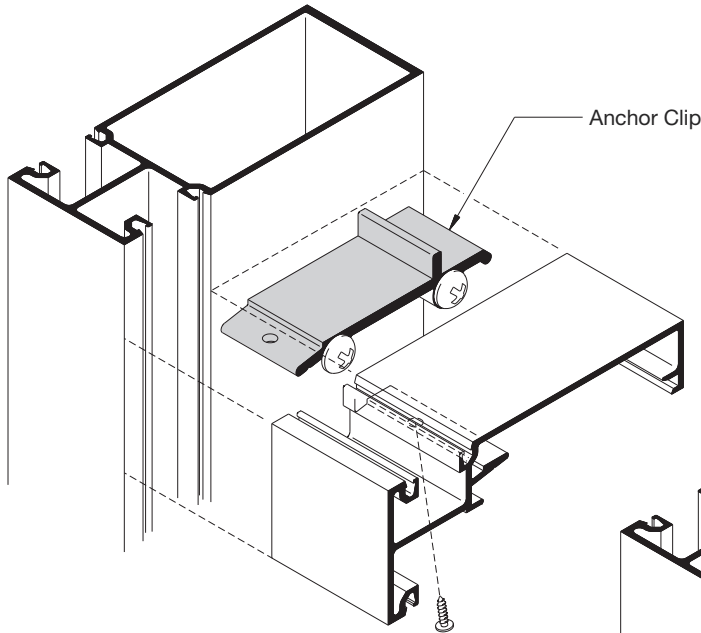
PROTECTION AND CLEANING

After installation the General Contractor shall adequately protect exposed portions of aluminum surfaces from damage by grinding and polishing compounds, plaster, lime, acid, cement, or other contaminants. The General Contractor shall be responsible for final cleaning.

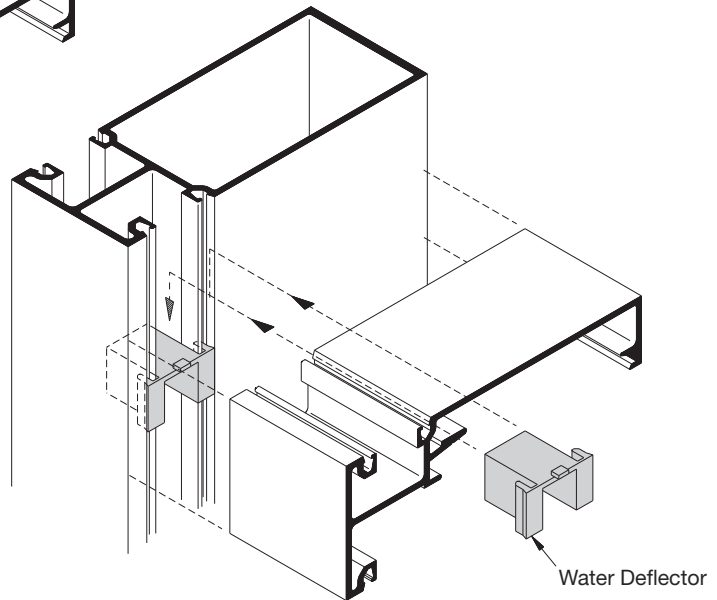
Special Features

OS-2 Systems

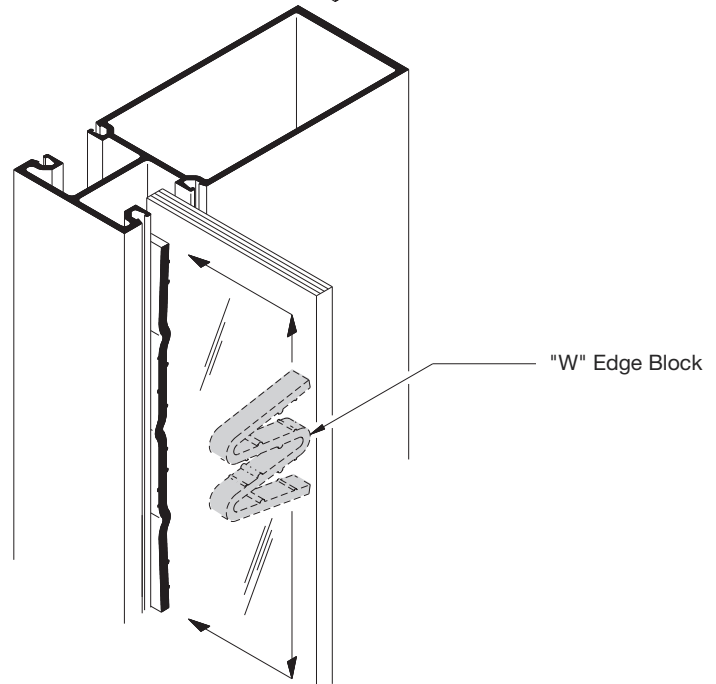
- Series OS175
- Series OS450
- Series OS451
- Series OS600
- Series OS601



The Intermediate Horizontal is rolled over an Extruded Aluminum Clip attached to the Vertical Mullion. The Horizontal is then attached to the Clip with concealed fasteners, creating a strong, tight joint.



Apply Silicone to two sides of the Glazing Pocket at Vertical/Horizontal Joint and Glazing Reglets. Slide Water Deflector down into position. Seal over top edges of the Water Deflector, leaving a gap on the outside edge, allowing water to drain into Subsill.



Stretch "W" Edge Block and slide it between Glass and Mullion into Deep Glazing Pocket. Push it all the way in until it clears Glass and locks into place. These Blocks are used to prevent Glass from "walking" out of the Pocket caused by extreme vibration or minor earthquake.

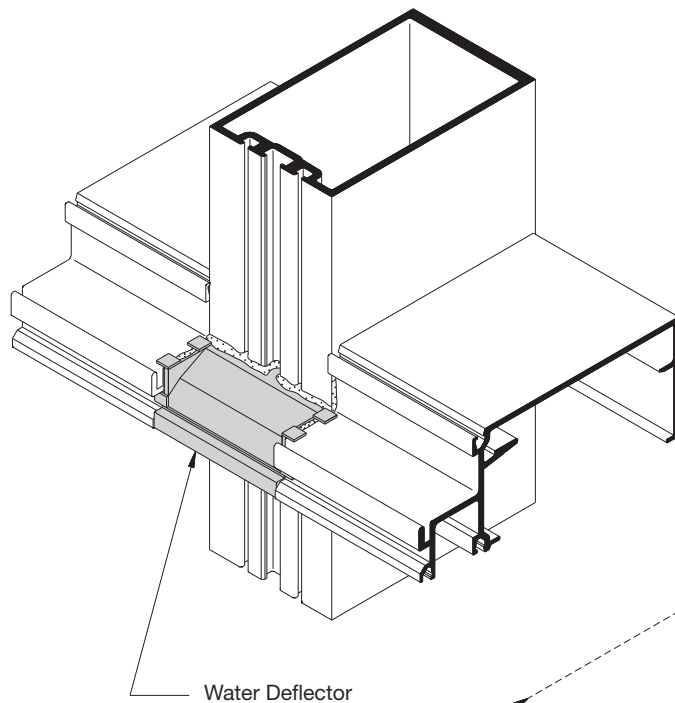
WINDOW WALLS

Special Features

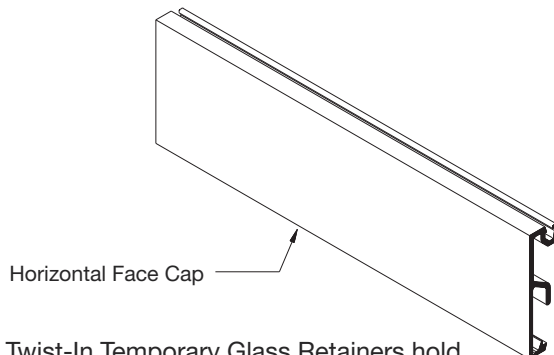
STRUCTURAL SILICONE GLAZING

OS-2 Systems

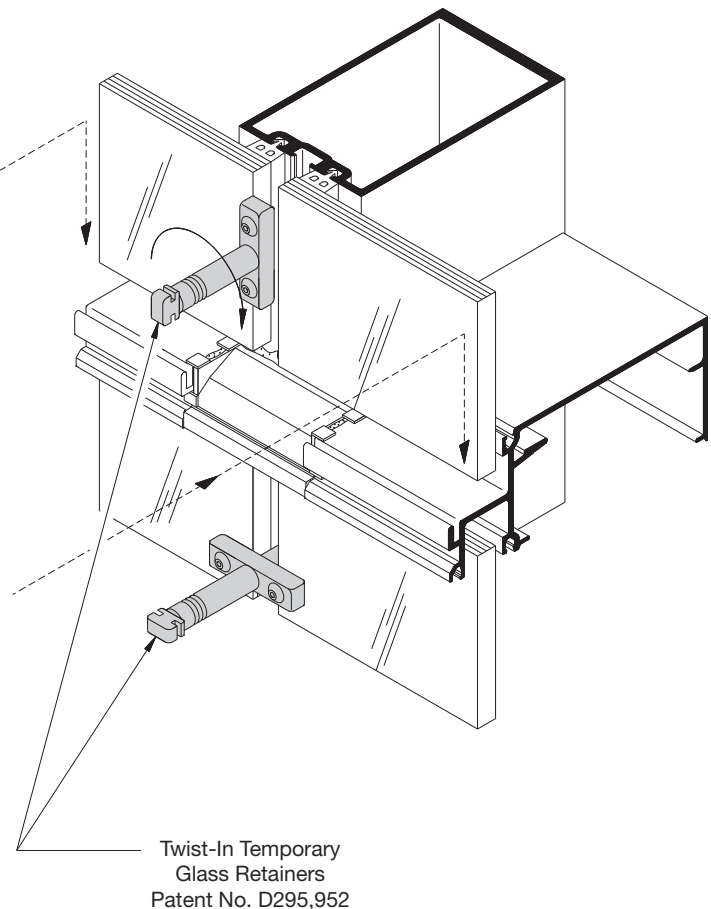
- Series OS175SG
- Series OS450SG
- Series OS451SG
- Series OS600SG
- Series OS601SG



A uniquely designed injection molded Water Deflector is used for weeping infiltrated water to the exterior at the intersection of the Intermediate Horizontal and Vertical Mullions. The contoured Water Deflector Allows for an uninterrupted Gasket seal at the intersection of Intermediate Horizontal and Vertical Mullions.



Reusable Twist-In Temporary Glass Retainers hold the Glass in place during the Structural Silicone curing period. The Retainer is designed to work for both 1" (25) and 1/4" (6) Infills. Horizontal Face Caps run continuous.



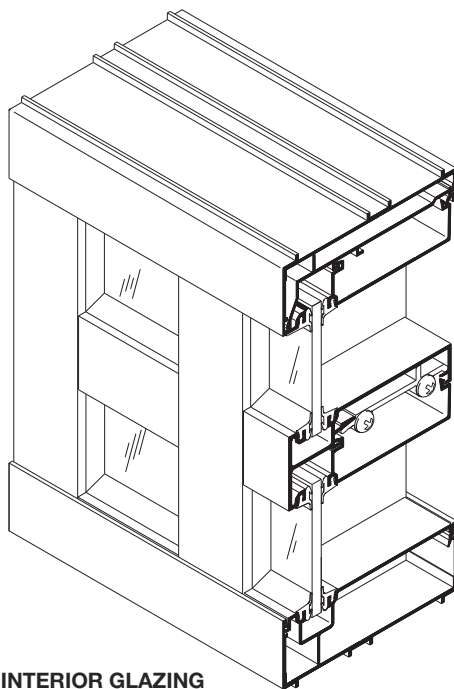
WINDOW WALLS

Technical Data

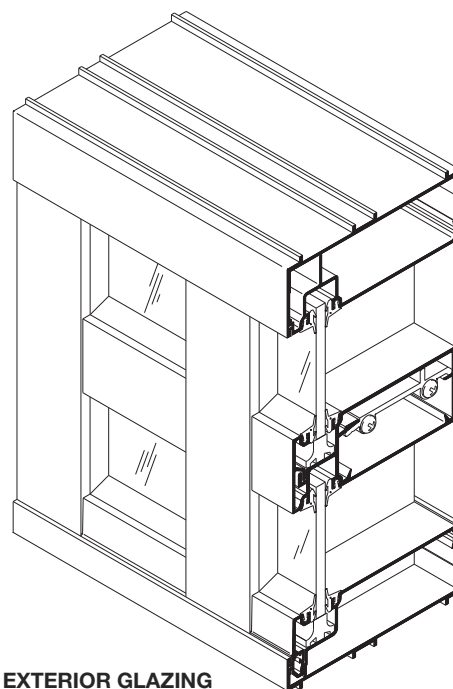
Offset Glazed Systems offer a shallow face reveal which creates a flush exterior appearance. The OS-2 Systems were designed for labor saving stacking type installations, and may be interior or exterior glazed using top load E.P.D.M. Glazing Gaskets. Internal Water Deflectors at intersections of Intermediate Horizontal and Vertical Mullions allow infiltrated water to be drained into a continuous sill gutter and weeped to the exterior. Optional Vertical Mullions for structural silicone glazing are available. This multi-purpose product was also designed for use as a storefront system, and is an ideal choice for fixed horizontal ribbon window applications. OS-2 Systems accommodate most U.S. Aluminum Entrance Doors.

OS-2 Systems

- Series OS175
- Series OS450
- Series OS451
- Series OS600
- Series OS601



INTERIOR GLAZING INSTALLATION



EXTERIOR GLAZING INSTALLATION

SERIES	WIDTH	HEAD/SILL DEPTH	GLAZING INFILL	APPLICATION
OS175	2" (50.8)	2" (50.8)	1/4" (6) or 3/8" (10)	Ground Floor to Mid-Rise Buildings. Ideal for Fixed Horizontal Ribbon Window Applications.
OS450	2" (50.8)	4-3/4" (120.7)	1/4" (6) or 3/8" (10)	
OS451	2" (50.8)	4-3/4" (120.7)	1" (25)	
OS600	2" (50.8)	6-1/4" (158.8)	1/4" (6) or 3/8" (10)	
OS601	2" (50.8)	6-1/4" (158.8)	1" (25)	

GLASS SIZES*
Glass Width = Daylight Opening + 5/8" (15.9) (OS175, OS450, and OS600) = Daylight Opening + 7/8" (22.2) (OS451 and OS601)
Glass Height = Daylight Opening + 5/8" (15.9) (OS175, OS450, and OS600) = Daylight Opening + 7/8" (22.2) (OS451 and OS601)

* These formulae do not take into account glass tolerances. Consult glass manufacturer before ordering glass.

WINDOW WALLS

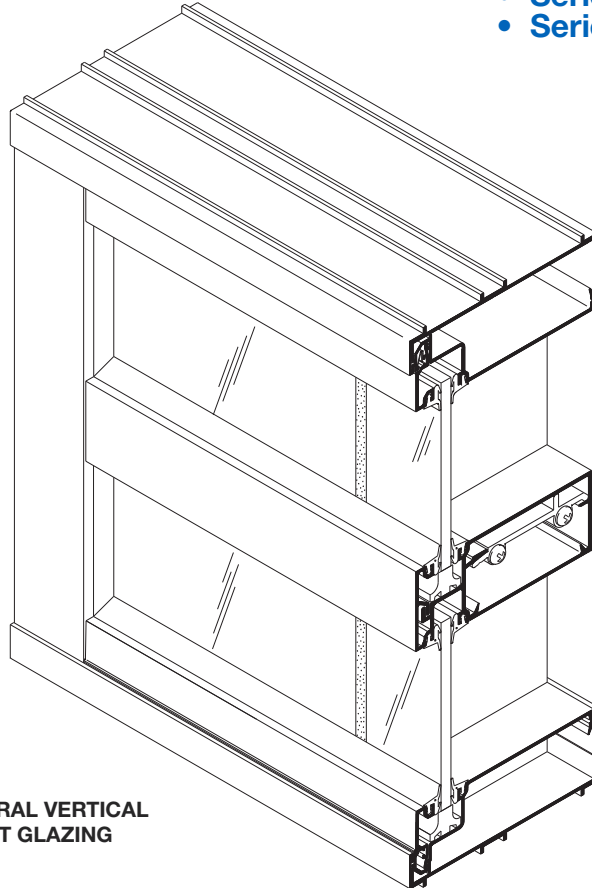
Technical Data

STRUCTURAL SILICONE GLAZING

Verticals for Structural Silicone Glazing create the look of a true glass wall with the same labor saving installation. Horizontal framing members run continuous between wall jambs to accomplish a horizontal band appearance. Glazing is performed from the exterior.

OS-2 Systems

- Series OS175SG
- Series OS450SG
- Series OS451SG
- Series OS600SG
- Series OS601SG



STRUCTURAL VERTICAL
OFFSET GLAZING

For Installation Instructions,
please visit usalum.com

SERIES	WIDTH	HEAD/SILL DEPTH	GLAZING INFILL	APPLICATION
OS175SG	2" (50.8)	2" (50.8)	1/4" (6) or 3/8" (10)	Ground Floor to Mid-Rise Buildings. Ideal for Fixed Horizontal Ribbon Window Applications.
OS450SG	2" (50.8)	4-3/4" (120.7)	1/4" (6) or 3/8" (10)	
OS451SG	2" (50.8)	4-3/4" (120.7)	1" (25)	
OS600SG	2" (50.8)	6-1/4" (158.8)	1/4" (6) or 3/8" (10)	
OS601SG	2" (50.8)	6-1/4" (158.8)	1" (25)	

GLASS SIZES*

Glass Width = Refer to "SG" Typical Details for Glass Bites

Glass Height = Daylight Opening + 5/8" (15.9) (OS450SG)
= Daylight Opening + 7/8" (22.2) (OS451SG)

* These formulae do not take into account glass tolerances.
Consult glass manufacturer before ordering glass.

Online usalum.com By Phone (800) 262-5151
Online crlaurence.com By Phone (800) 421-6144

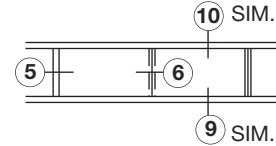
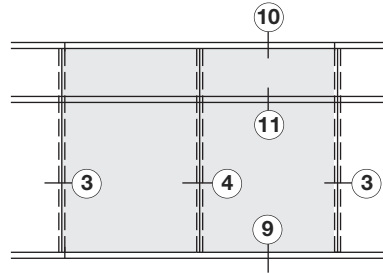
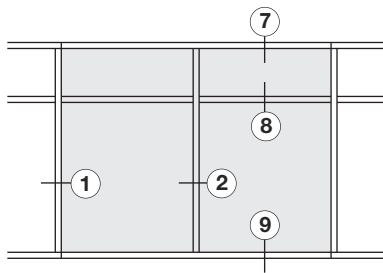
WINDOW WALLS

Typical Details

FOR 1/4" (6) OR 3/8" (10) GLAZING

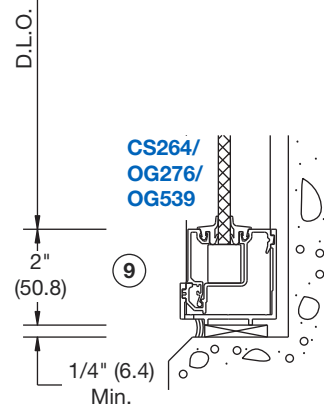
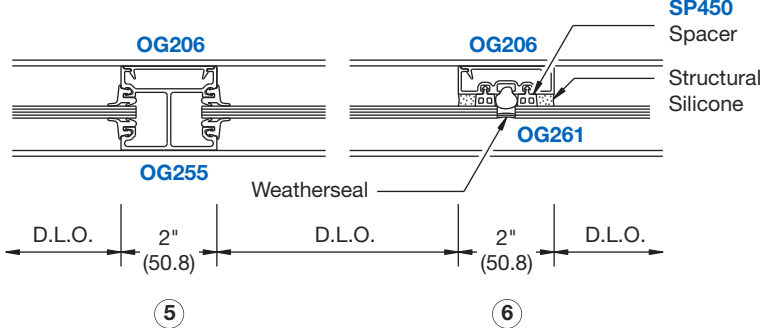
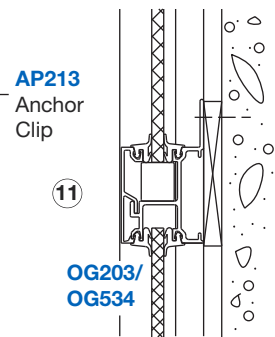
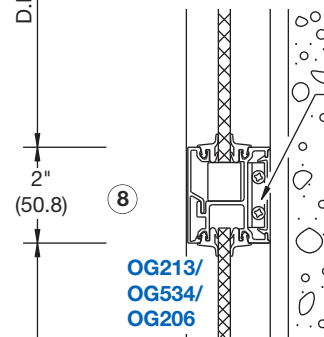
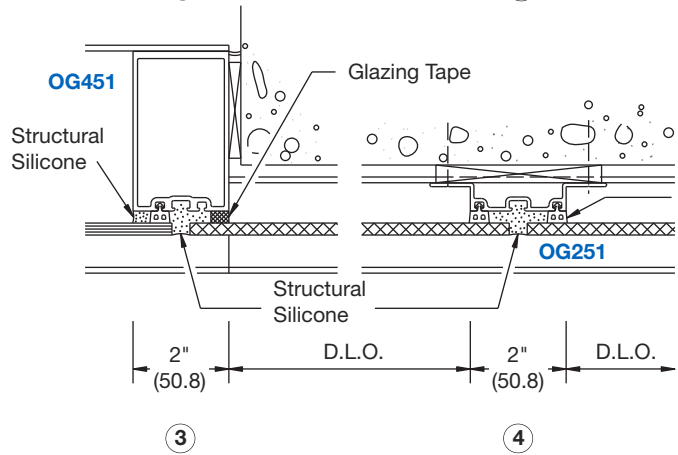
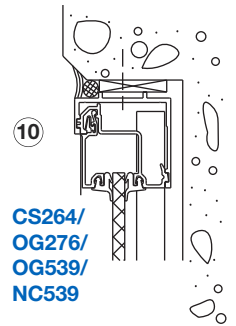
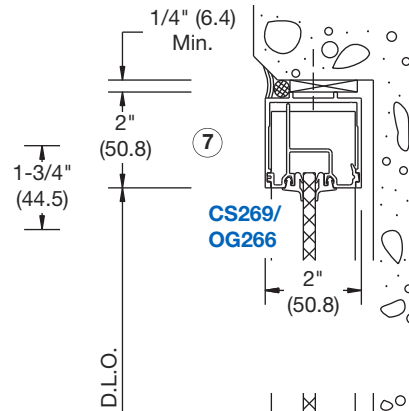
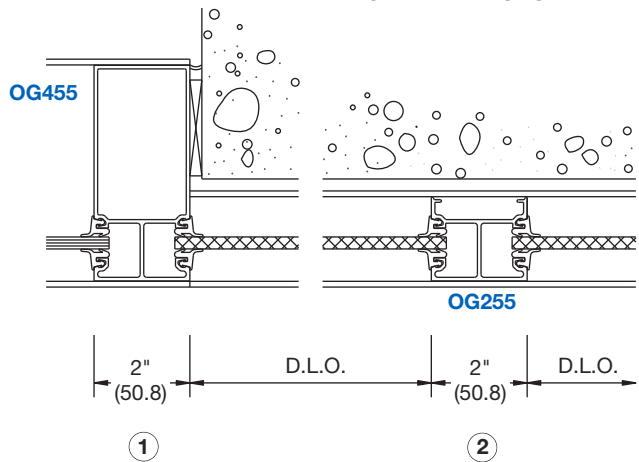
OS-2 Systems

- Series OS175
- Series OS175SG



TYPICAL ELEVATIONS

NOTE: 1-3/4" (44.5) deep members may be used in conjunction with any of the Series OS-2 Systems.



NOTE: Part numbers shown are available in 24' (7.3 m) stock lengths. Visit usalum.com for more information.

NOT TO SCALE

WINDOW WALLS

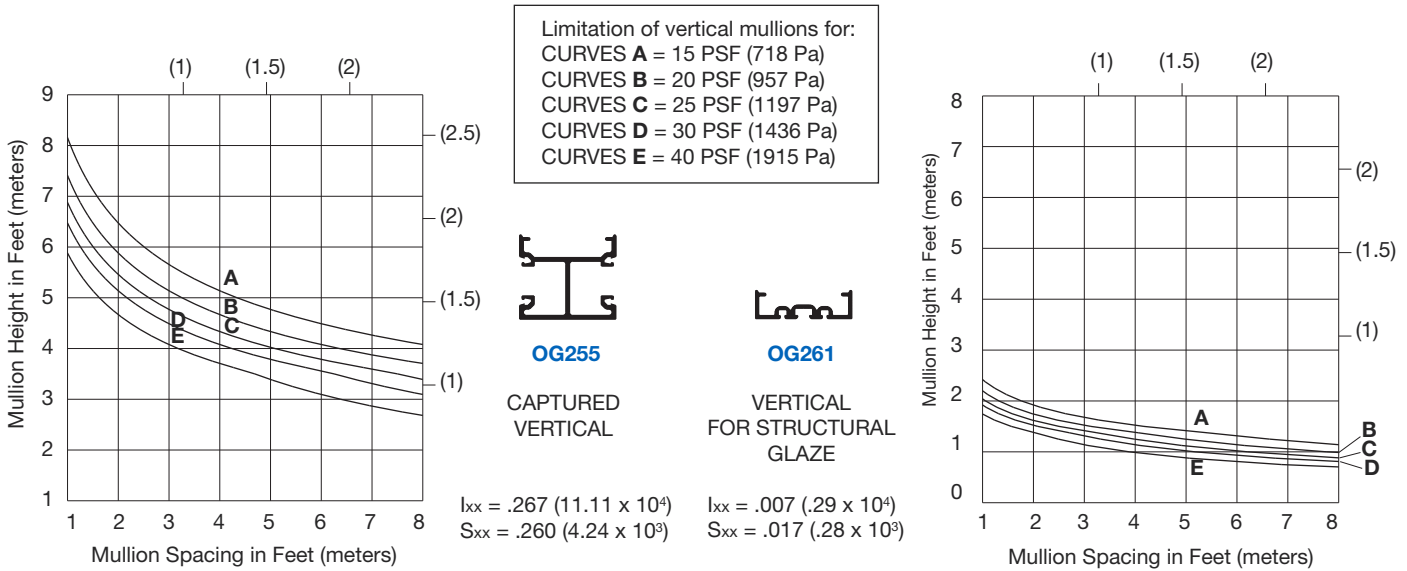
Windload and Deadload Charts

OS-2 Systems
 • Series OS175
 • Series OS175SG

WINDLOAD CHARTS

Deflection criteria to be in accordance with AAMA TIR-A11 - L/175 or L/240 + 1/4" (6.4 mm) for spans greater than 13'-6" (4.1 m) but less than 40'-0" (12.2 m). Codes and specifications may vary. No single lite of glass shall deflect more than 3/4" (19 mm). Glass is not considered as contributing to resistance of deflection. Aluminum alloy 6063-T6 allowable stress for windload is 15,200 psi. (89 MPa), and steel reinforcing allowable stress for windload is 21,600 psi. (183 MPa).

These charts include unbraced length analysis and are based on at least one horizontal being placed at the midpoint of the span. For other applications, please contact U.S. Aluminum Technical Sales at (800) 262-5151, or visit our web site at usalum.com.

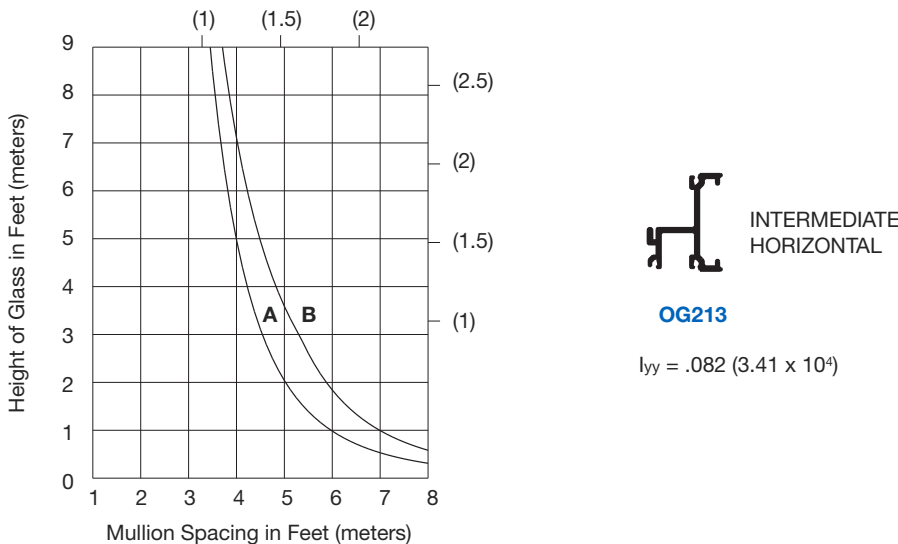


DEADLOAD CHART

Deadload chart is based on 1/8" (3.2) maximum allowable deflection at the center point of the horizontal mullion and on a glass weight of 3.25 p.s.f. (15.87 Kg/m²) for 1/4" (6) glass.

Glass shall rest on two setting blocks located at:

- CURVE A : 1/4 points
- CURVE B : 1/8 points or 8" (203.2) from corners, whichever is larger



WINDOW WALLS

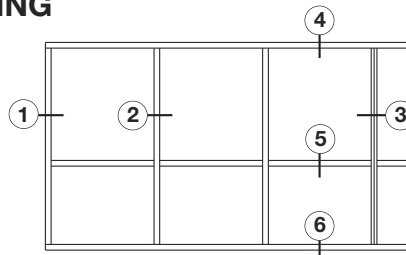
Typical Details

OS-2 Systems • Series OS450

FOR 1/4" (6) OR 3/8" (10) GLAZING

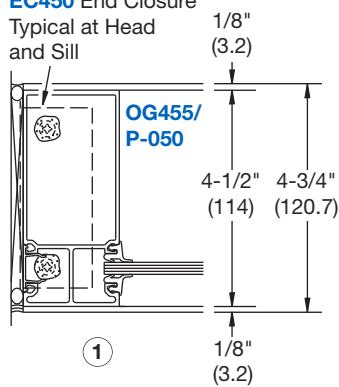
NOTE: Part numbers shown are available in 24' (7.3 m) stock lengths. Visit usalum.com for more information.

NOTE: NP225 Glazing Gaskets are used on both sides of 1/4" (6) Glass; NP238 Glazing Gasket for 3/8" (10) Glazing, except at OG564 Head Insert. (Typical)



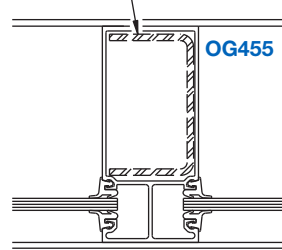
TYPICAL ELEVATION

EC450 End Closure
Typical at Head
and Sill

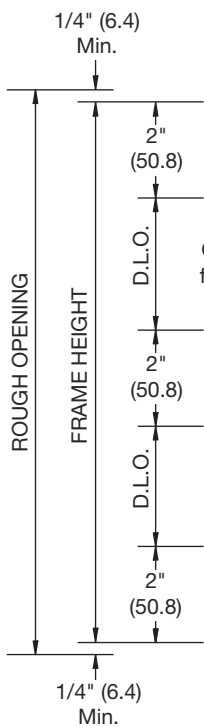
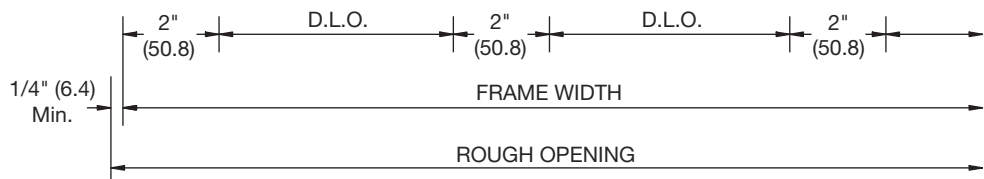
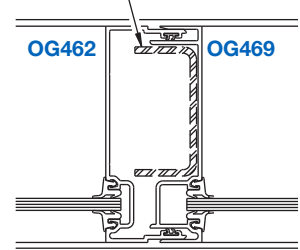


OPTIONAL JAMB

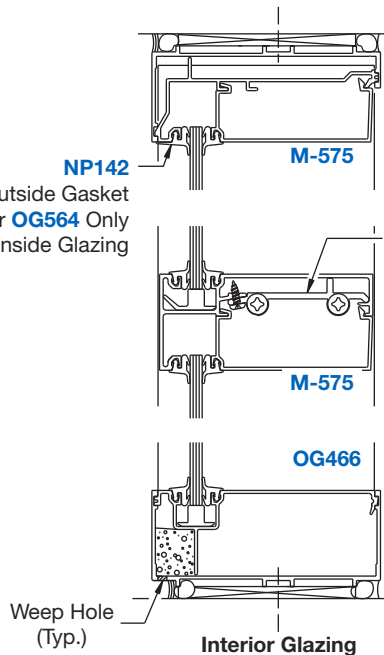
SS455 Optional
Steel Stiffener



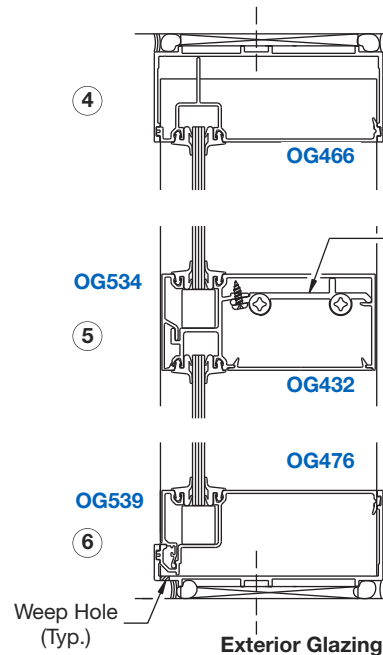
SS460 Optional
Steel Stiffener



NP142
Outside Gasket
for **OG564** Only
Inside Glazing



Interior Glazing



Exterior Glazing

NOT TO SCALE

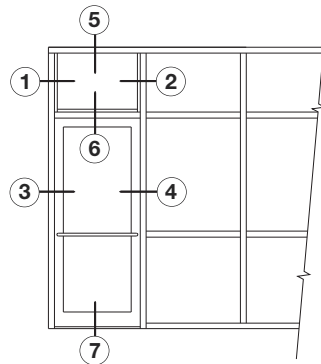
WINDOW WALLS

Typical Details

OS-2 Systems
• Series OS450

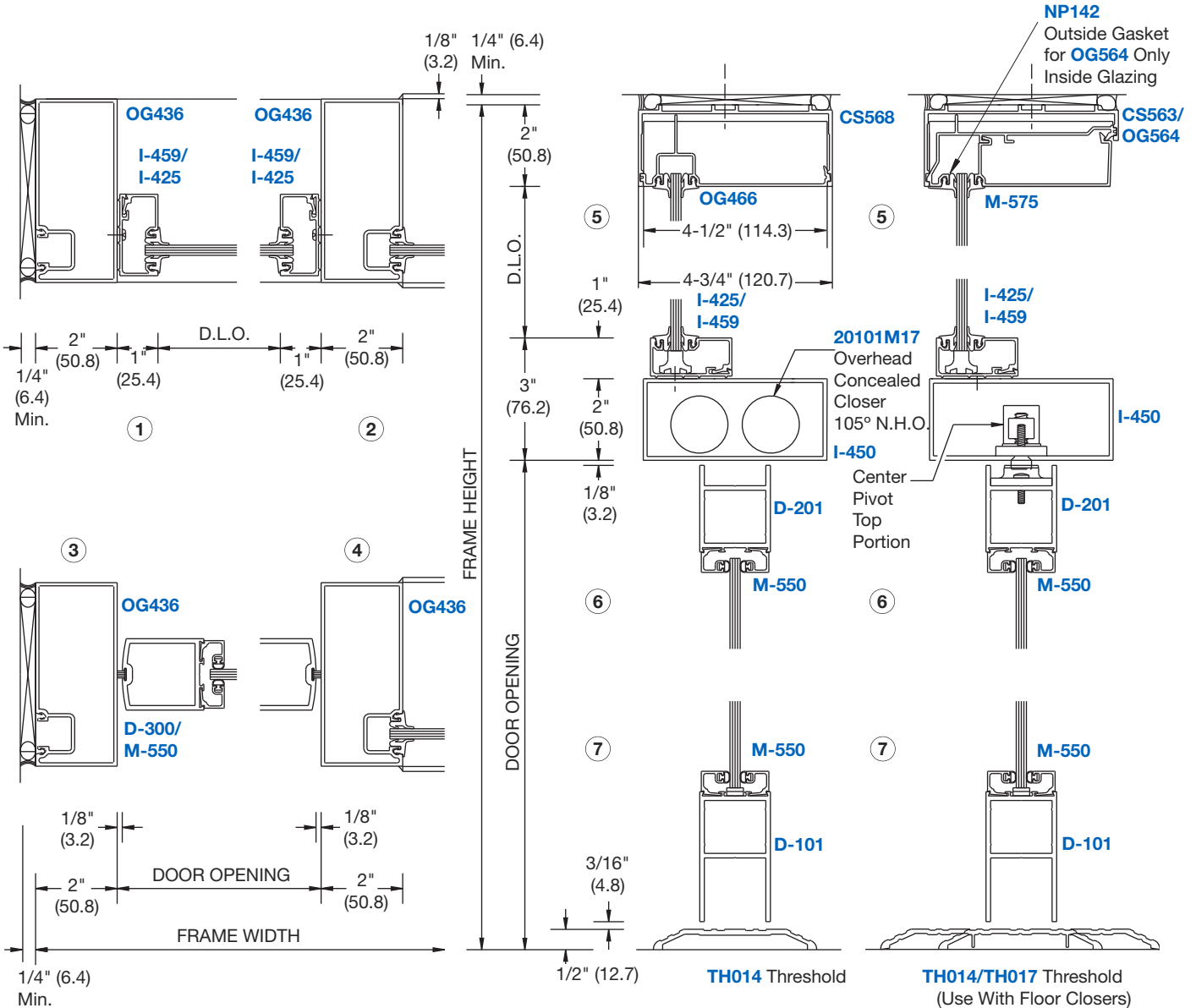
DOOR FRAMING

NOTE: Doors are available in stock to accommodate 36" x 84" (914 x 2134) and 72" x 84" (1829 x 2134) door openings. Visit usalum.com for more information.



CENTER HUNG DOORS

NOTE: NP225 Glazing Gaskets are used on both sides of glass, except at OG464 Head Insert. (Typical)



NOT TO SCALE

Online usalum.com By Phone (800) 262-5151
Online crlaurence.com By Phone (800) 421-6144

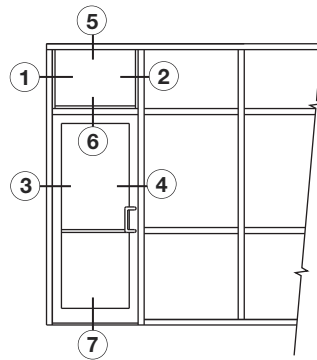
WINDOW WALLS

Typical Details

OS-2 Systems • Series OS450

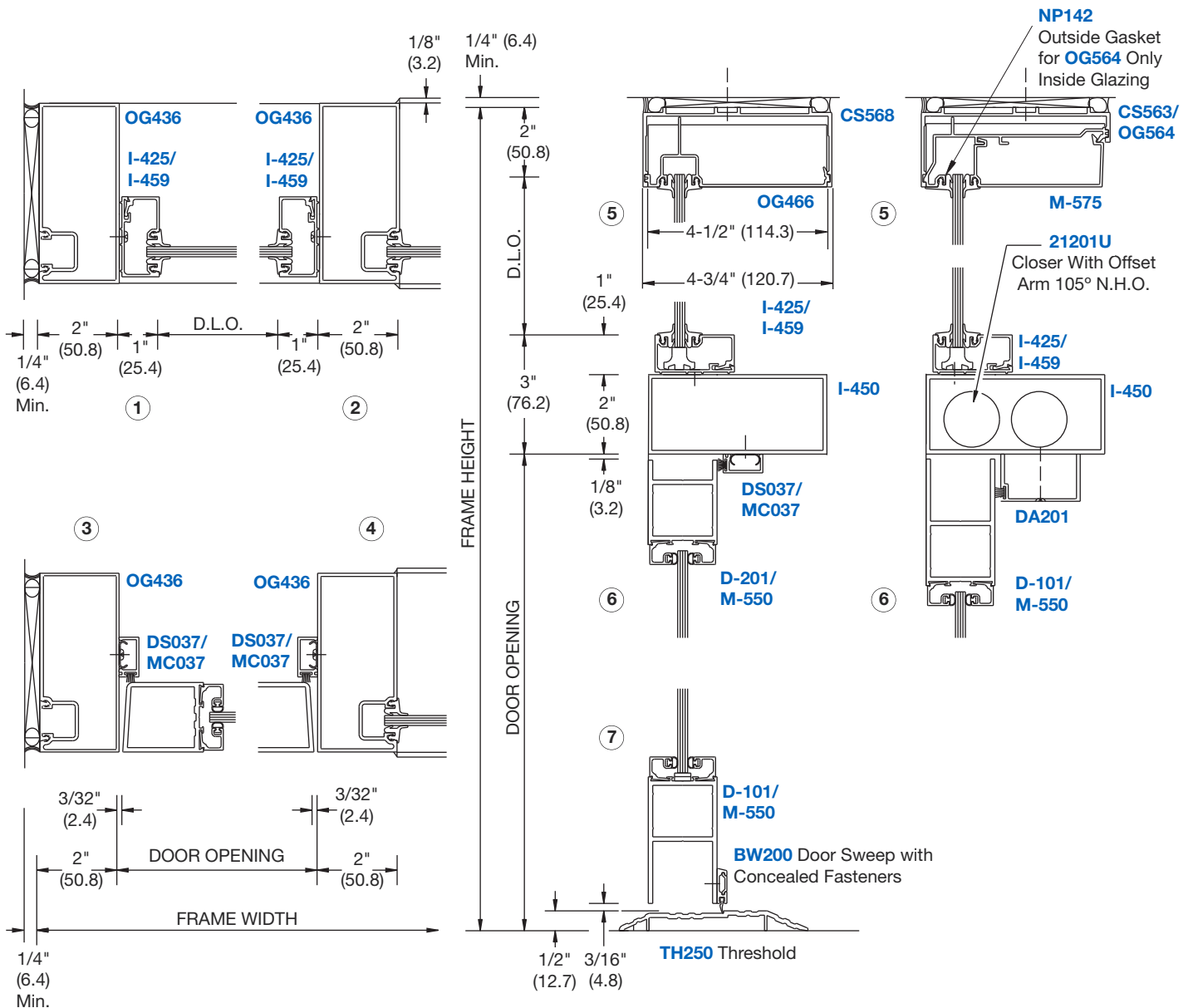
DOOR FRAMING

NOTE: Doors are available in stock to accommodate 36" x 84" (914 x 2134) and 72" x 84" (1829 x 2134) door openings. Visit usalum.com for more information.



NOTE: NP225 Glazing Gaskets are used on both sides of glass, except at OG564 Head Insert. (Typical)

OFFSET HUNG DOORS



NOT TO SCALE

WINDOW WALLS

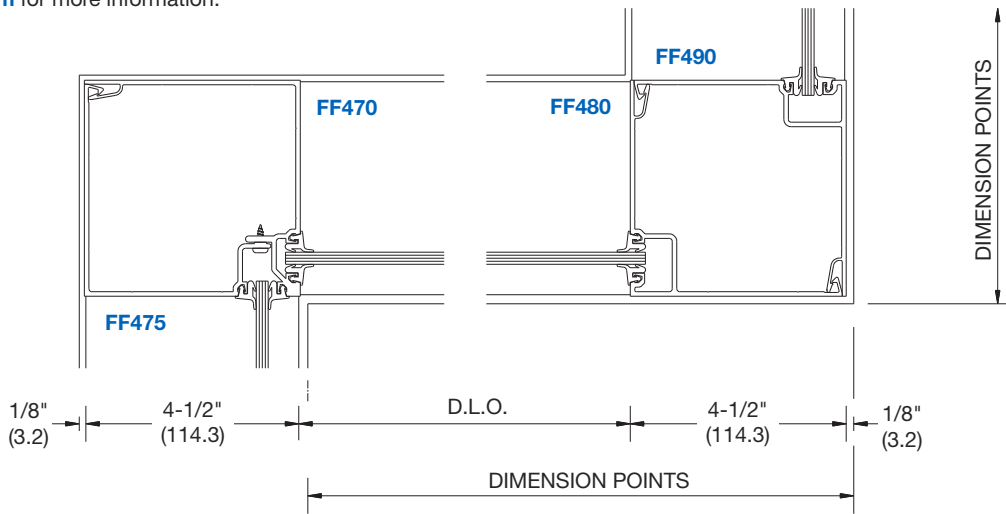
Typical Details

OS-2 Systems
• Series OS450

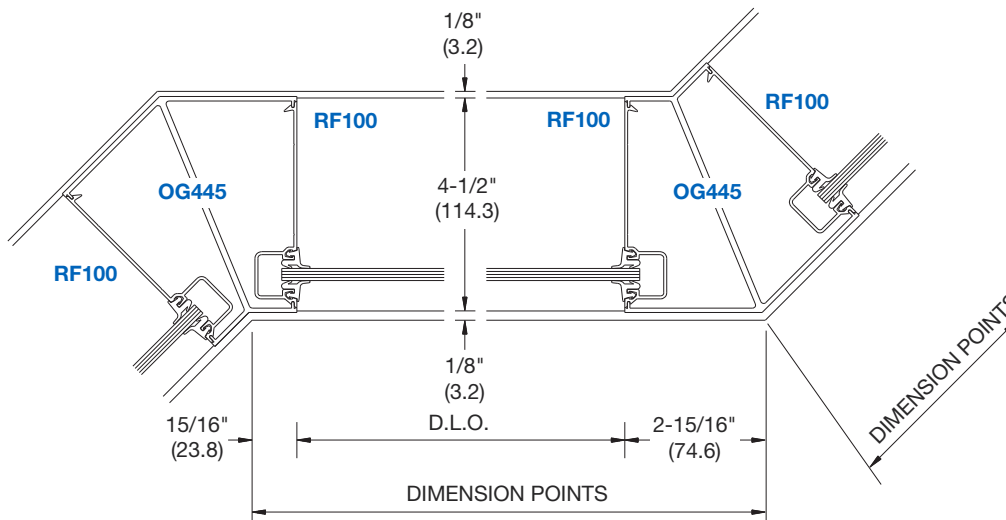
VERTICAL CORNER CONDITIONS FOR 1/4" (6) OR 3/8" (10) GLAZING

NOTE: Part numbers shown are available in 24' (7.3 m) stock lengths. Visit usalum.com for more information.

90 DEGREE CORNERS



135 DEGREE CORNERS



NOT TO SCALE

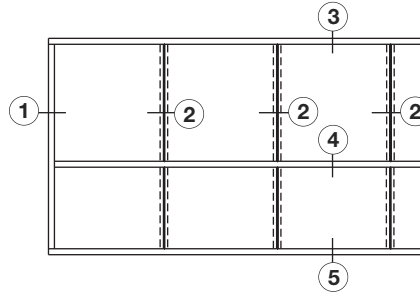
Online usalum.com By Phone (800) 262-5151
Online crlaurence.com By Phone (800) 421-6144

Typical Details

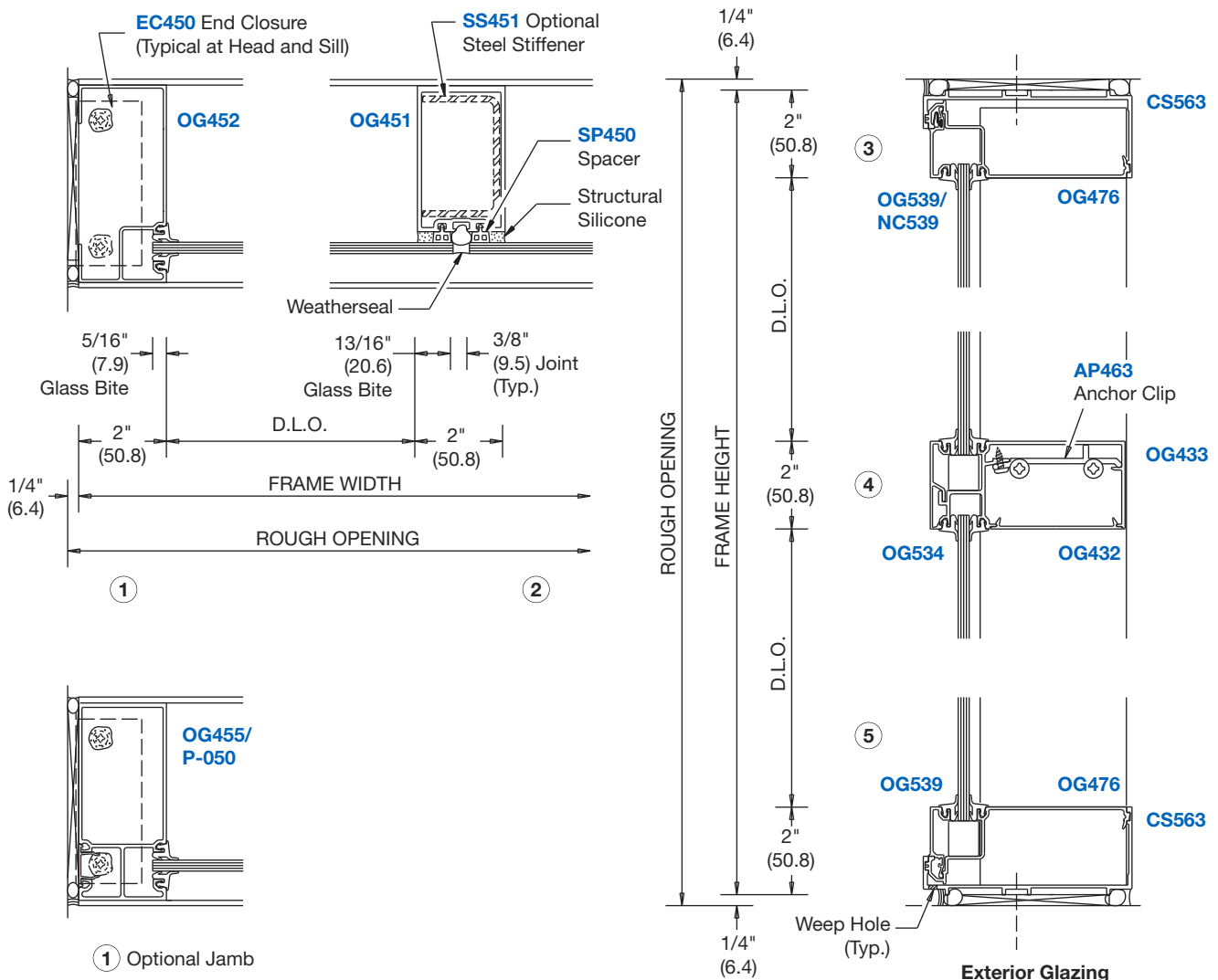
OS-2 Systems
 • Series OS450SG

STRUCTURAL SILICONE GLAZING FOR 1/4" (6) OR 3/8" (10) GLAZING

NOTE: Part numbers shown are available in 24' (7.3 m) stock lengths. Visit usalum.com for more information.



TYPICAL ELEVATION



NOT TO SCALE

WINDOW WALLS

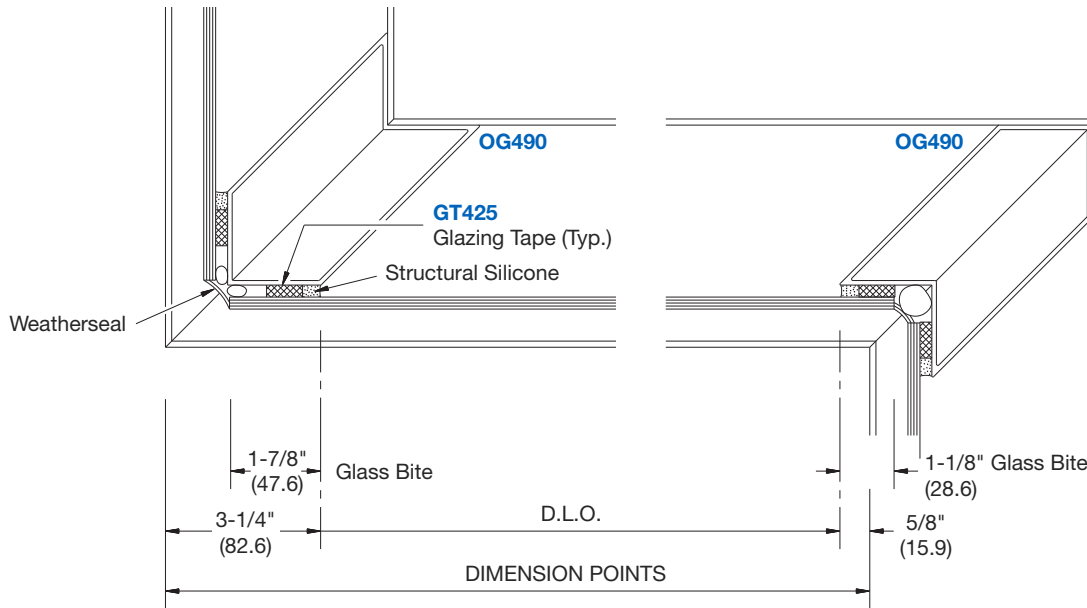
Typical Details

OS-2 Systems
• Series OS450SG

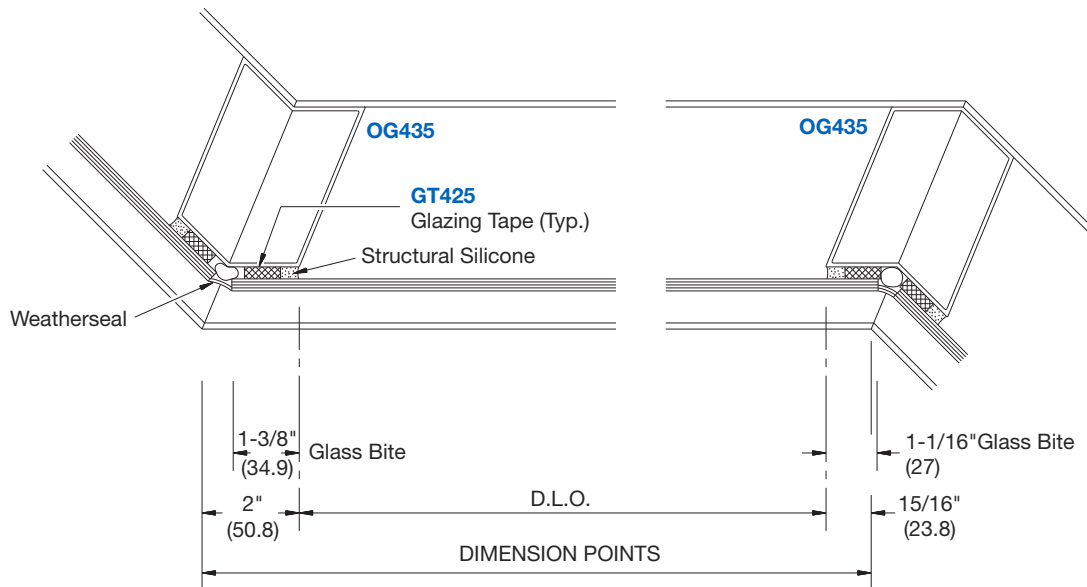
STRUCTURAL SILICONE GLAZING CORNER CONDITIONS FOR 1/4" (6) OR 3/8" (10) GLAZING

NOTE: Part numbers shown are available in 24' (7.3 m) stock lengths. Visit usalum.com for more information.

90 DEGREE CORNERS



135 DEGREE CORNERS



NOT TO SCALE

Online usalum.com By Phone (800) 262-5151
Online crlaurence.com By Phone (800) 421-6144

Windload Charts

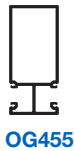
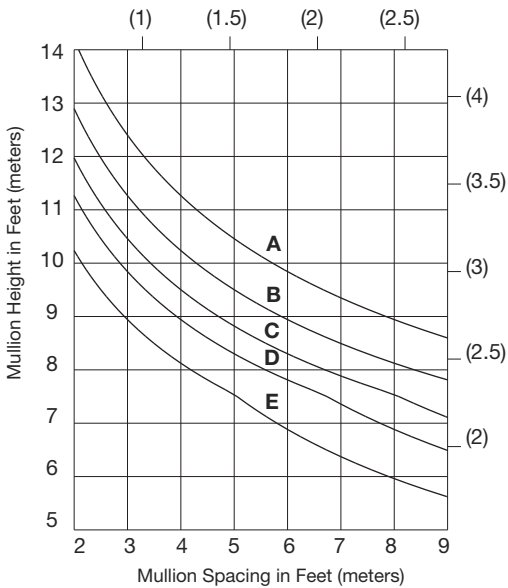
OS-2 Systems

- Series OS450
- Series OS450SG

CAPTURED VERTICAL MULLIONS FOR 1/4" (6) OR 3/8" (10) GLAZING

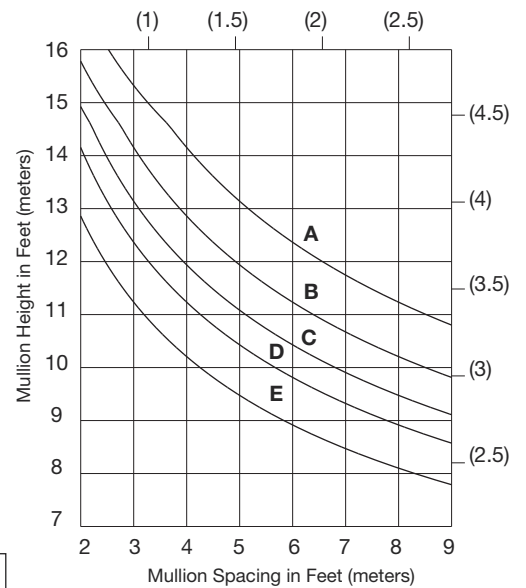
Deflection criteria to be in accordance with AAMA TIR-A11 - L/175 or L/240 + 1/4" (6.4 mm) for spans greater than 13'-6" (4.1 m) but less than 40'-0" (12.2 m). Codes and specifications may vary. No single lite of glass shall deflect more than 3/4" (19 mm). Glass is not considered as contributing to resistance of deflection. Aluminum alloy 6063-T6 allowable stress for windload is 15,200 psi. (89 MPa), and steel reinforcing allowable stress for windload is 21,600 psi. (183 MPa).

These charts include unbraced length analysis and are based on at least one horizontal being placed at the midpoint of the span. For other applications, please contact U.S. Aluminum Technical Sales at (800) 262-5151, or visit our web site at usalum.com.



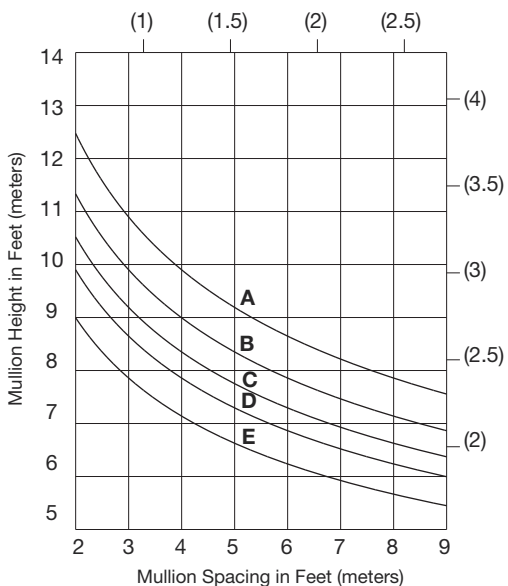
OG455
 $I = 2.815 (117.17 \times 10^4)$
 $S = 1.141 (18.70 \times 10^3)$
SS455 Steel Stiffener
 $I = 1.086 (45.20 \times 10^4)$
 $S = .740 (12.13 \times 10^3)$

$I_{AL} = STL = 5.582$
 (232.32×10^4)



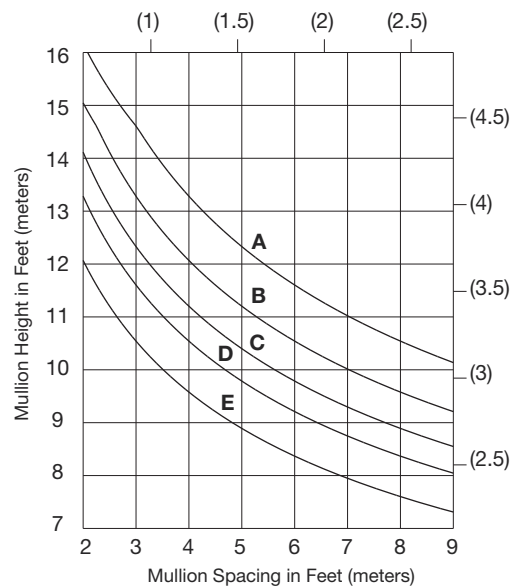
Limitation of vertical mullions for:
 CURVES A = 15 PSF (718 Pa)
 CURVES B = 20 PSF (957 Pa)
 CURVES C = 25 PSF (1197 Pa)
 CURVES D = 30 PSF (1436 Pa)
 CURVES E = 40 PSF (1915 Pa)

STRUCTURAL GLAZED VERTICAL MULLIONS



OG451
 $I = 1.910 (79.50 \times 10^4)$
 $S = 1.136 (18.62 \times 10^3)$
SS451 Steel Stiffener
 $I = .932 (38.79 \times 10^4)$
 $S = 678 (11.11 \times 10^3)$

$I_{AL} = STL = 4.613$
 (192.00×10^4)



NOTE: See page 50-C3 for Structural Silicone Chart

WINDOW WALLS



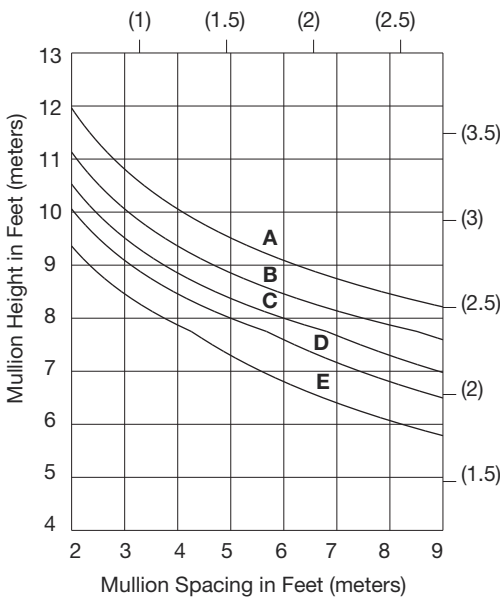
Windload Charts

OS-2 Systems
 • Series OS450
 • Series OS450SG

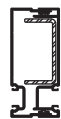
CAPTURED VERTICAL MULLIONS FOR 1/4" (6) OR 3/8" (10) GLAZING

Deflection criteria to be in accordance with AAMA TIR-A11 - L/175 or L/240 + 1/4" (6.4 mm) for spans greater than 13'-6" (4.1 m) but less than 40'-0" (12.2 m). Codes and specifications may vary. No single lite of glass shall deflect more than 3/4" (19 mm). Glass is not considered as contributing to resistance of deflection. Aluminum alloy 6063-T6 allowable stress for windload is 15,200 psi. (89 MPa), and steel reinforcing allowable stress for windload is 21,600 psi. (183 MPa).

These charts include unbraced length analysis and are based on at least one horizontal being placed at the midpoint of the span. For other applications, please contact U.S. Aluminum Technical Sales at (800) 262-5151, or visit our web site at usalum.com.



**OG462/
OG469**

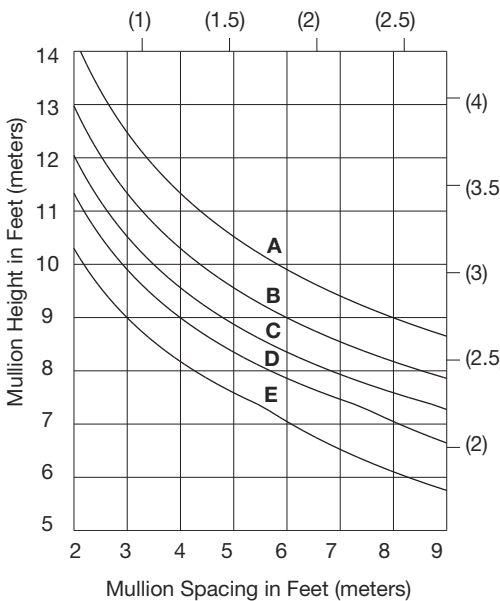
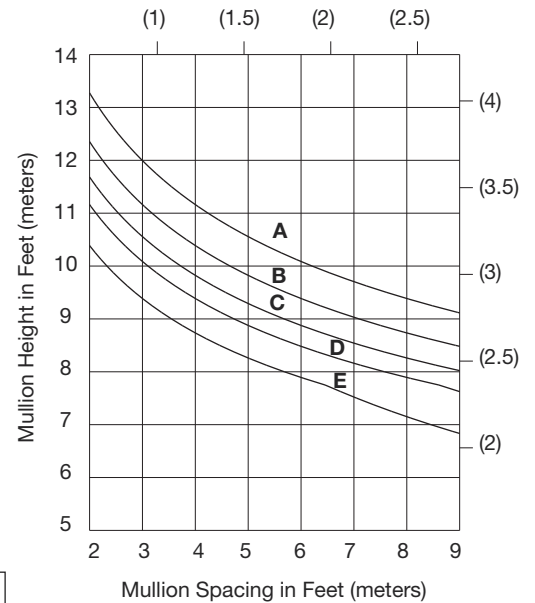


**OG462
OG469
With SS460**

OG462/OG469
 $I = 3.815 (158.79 \times 10^4)$
 $S = 1.562 (25.59 \times 10^3)$
SS460 Steel Stiffener
 $I = .680 (28.30 \times 10^4)$
 $S = .506 (8.29 \times 10^3)$

$I_{AL} = STL = 5.787$
 (240.87×10^4)

Limitation of vertical mullions for:
 CURVES **A** = 15 PSF (718 Pa)
 CURVES **B** = 20 PSF (957 Pa)
 CURVES **C** = 25 PSF (1197 Pa)
 CURVES **D** = 30 PSF (1436 Pa)
 CURVES **E** = 40 PSF (1915 Pa)



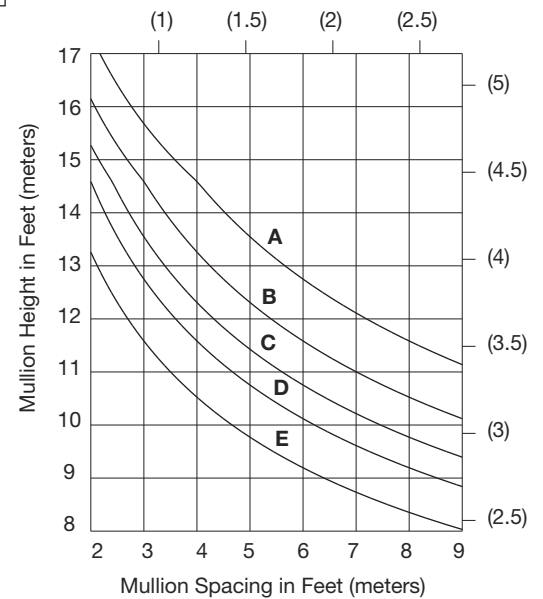
OG436



**OG436
With SS045**

OG436
 $I = 2.866 (119.29 \times 10^4)$
 $S = 1.176 (19.27 \times 10^3)$
SS045 Steel Stiffener
 $I = 1.122 (46.70 \times 10^4)$
 $S = .544 (8.91 \times 10^3)$

$I_{AL} = STL = 6.120$
 (254.73×10^4)



Deadload Charts

OS-2 Systems
 • Series OS450
 • Series OS450SG

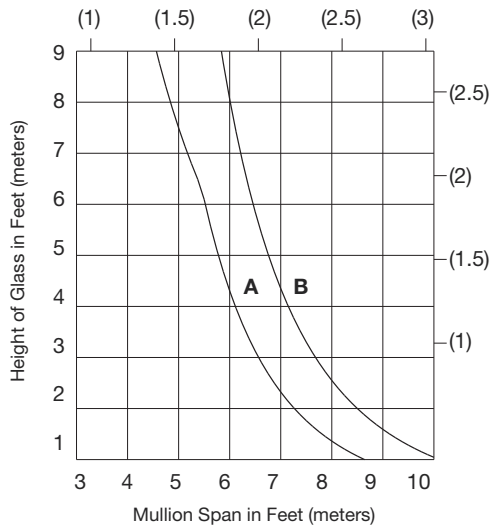
INTERMEDIATE HORIZONTAL MULLIONS FOR 1/4" (6) GLAZING

Deadload charts are based on 1/8" (3.2) maximum allowable deflection at the center point of the horizontal mullion and on a glass weight of 3.25 p.s.f. (15.87 Kg/m²).

Glass shall rest on two setting blocks located at:

CURVES **A**: 1/4 points

CURVES **B**: 1/8 points or 8" (203.2) from corners, whichever is larger

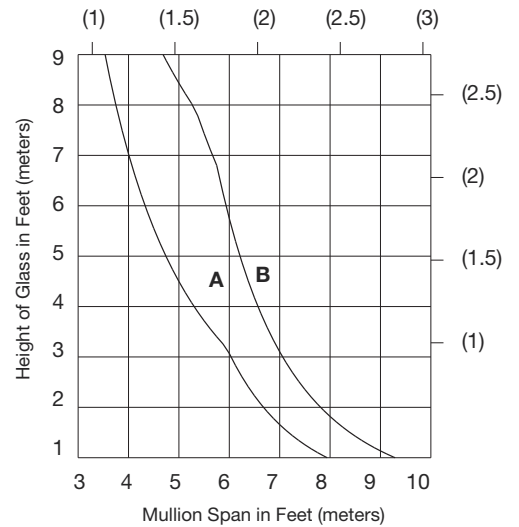


OG433

$I_{yy} = .359$
 (14.94 x 10⁴)

OG463

$I_{yy} = .256$
 (10.66 x 10⁴)



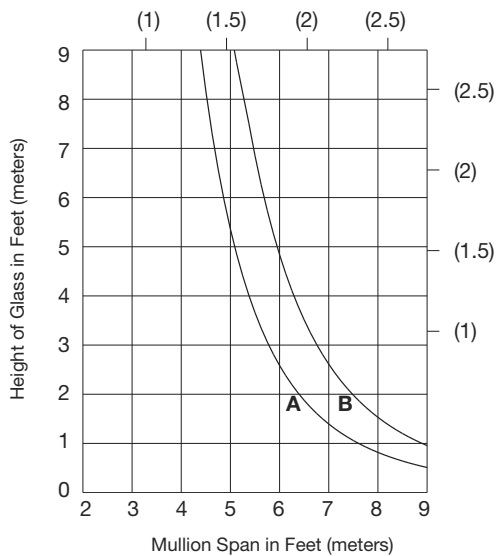
DOOR HEADERS

Deadload chart is based on 1/16" (1.6) maximum allowable deflection at the center point of the horizontal mullion and on a glass weight of 3.25 p.s.f. (15.87 Kg/m²) for 1/4" (6) glass.

Glass shall rest on two setting blocks located at:

CURVES **A**: 1/4 points

CURVES **B**: 1/8 points or 8" (203.2) from corners, whichever is larger



I-450

$I_{yy} = .862$
 (35.88 x 10⁴)

WINDOW WALLS

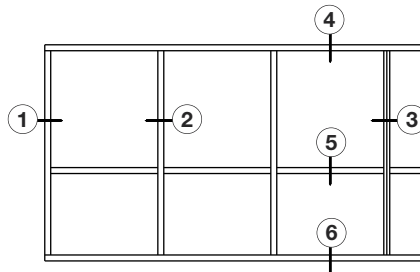
Typical Details

OS-2 Systems • Series OS451

FOR 1" (25) GLAZING

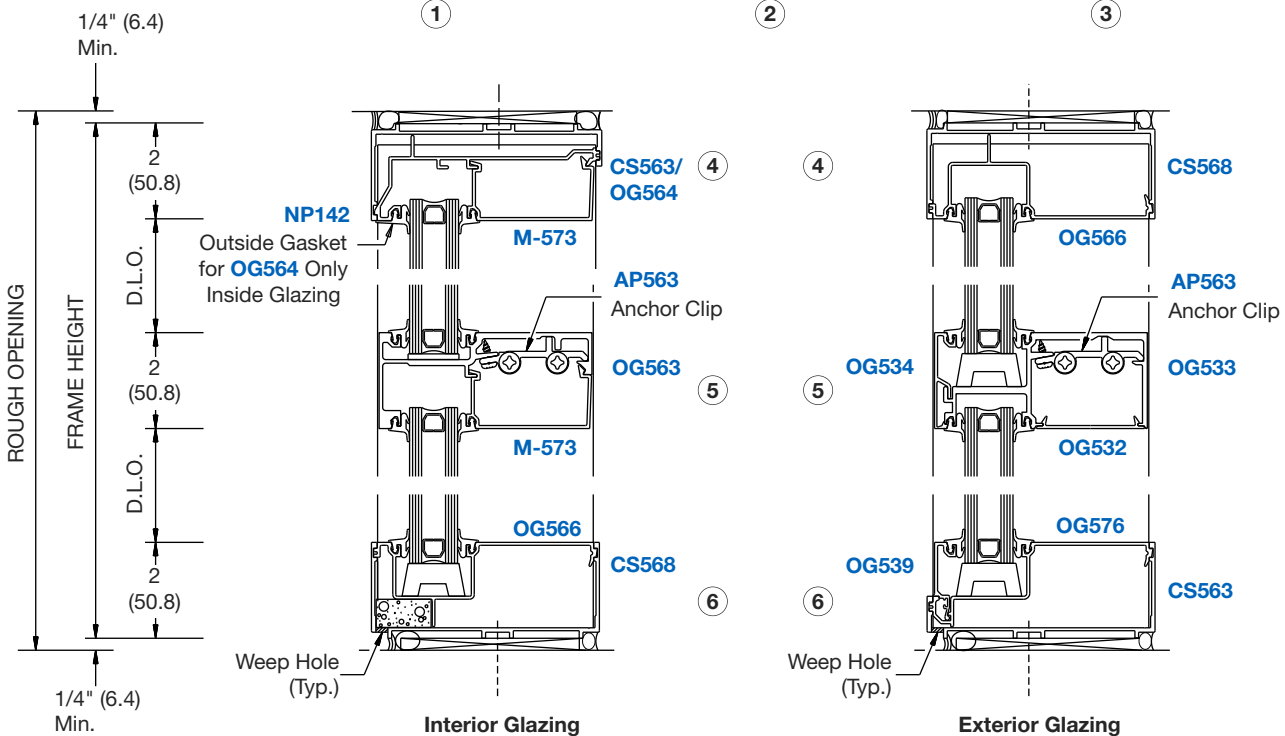
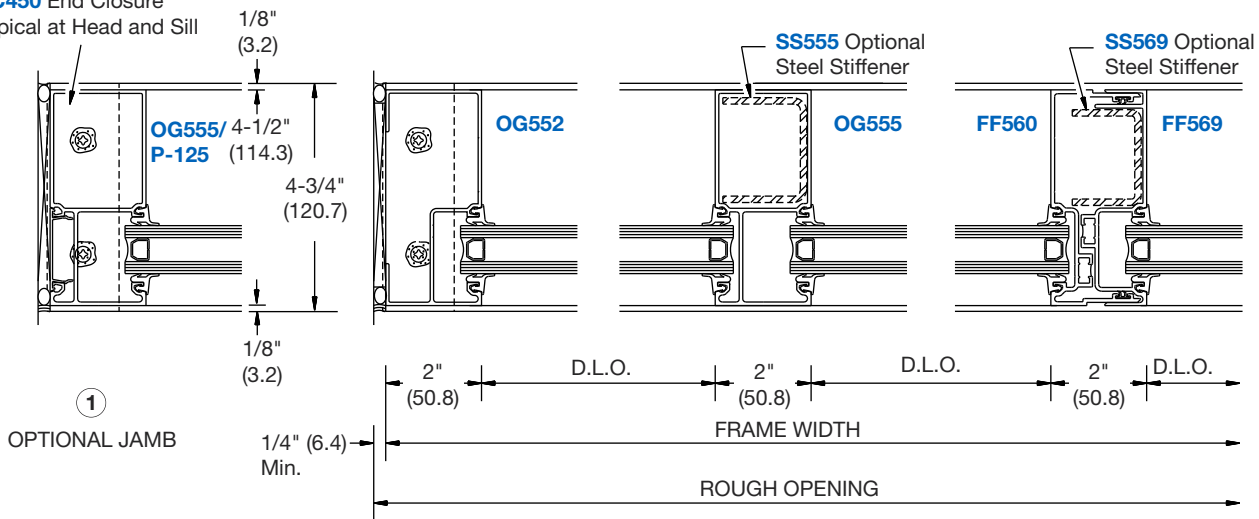
NOTE: Part numbers shown are available in 24' (7.3 m) stock lengths. Visit usalum.com for more information.

NOTE: NP225 Glazing Gaskets are used on both sides of glass, except at OG564 Head Insert. (Typical)



TYPICAL ELEVATION

EC450 End Closure
Typical at Head and Sill



NOT TO SCALE

Online usalum.com By Phone (800) 262-5151
Online crlaurence.com By Phone (800) 421-6144

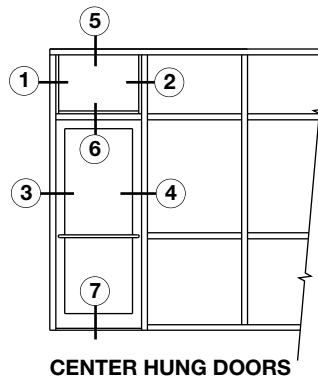
WINDOW WALLS

Typical Details

OS-2 Systems • Series OS451

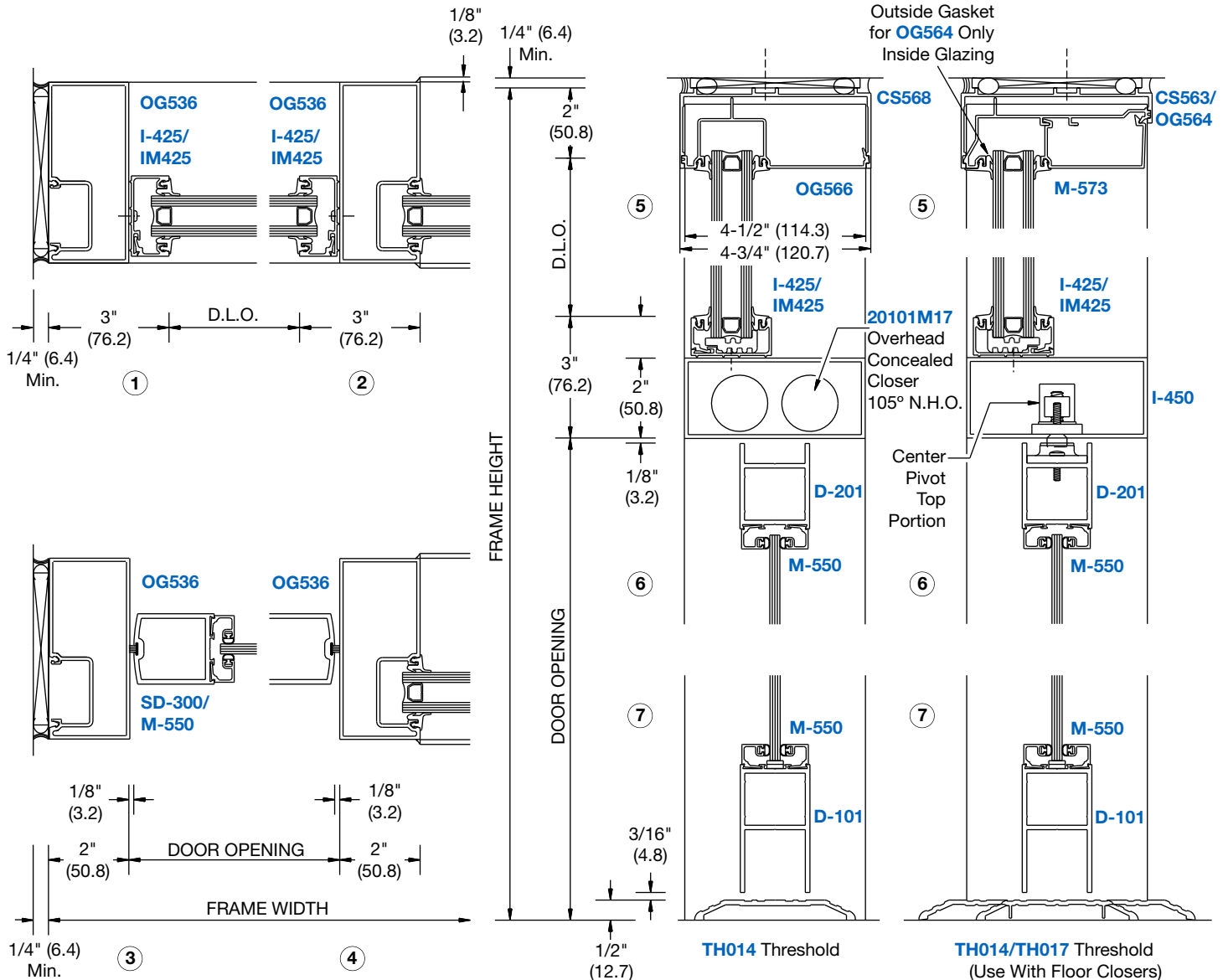
DOOR FRAMING

NOTE: Doors are available in stock to accommodate 36" x 84" (914 x 2134) and 72" x 84" (1829 x 2134) door openings. Visit usalum.com for more information.



CENTER HUNG DOORS

NOTE: NP225 Glazing Gaskets are used on both sides of glass, except at OG564 Head Insert. (Typical)



NOT TO SCALE

WINDOW WALLS



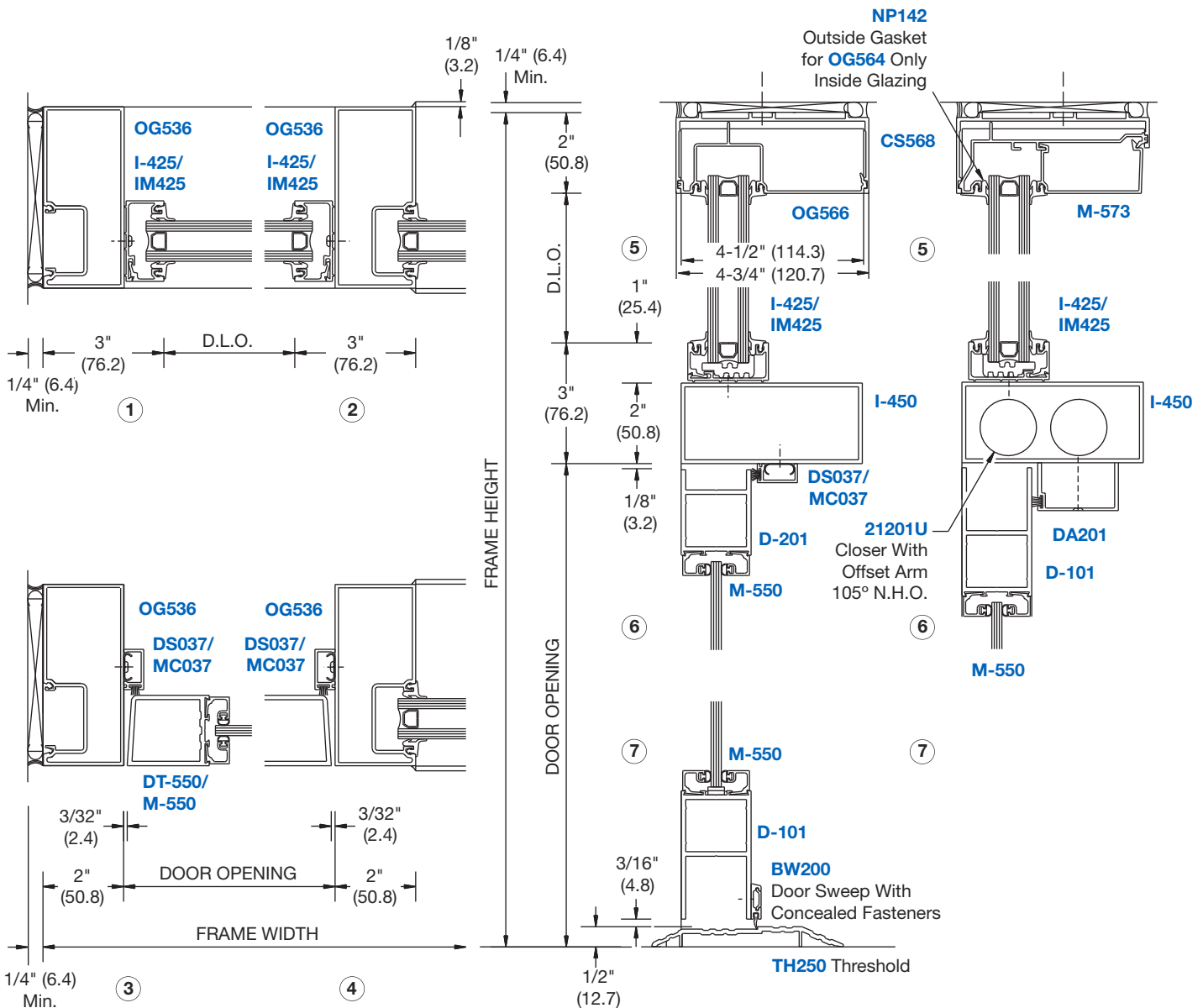
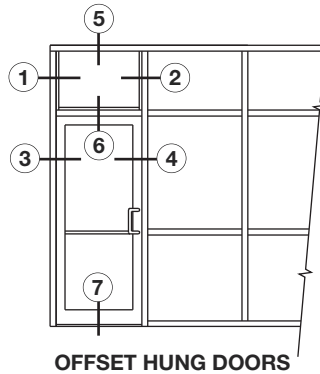
Typical Details

OS-2 Systems • Series OS451

DOOR FRAMING

NOTE: Doors are available in stock to accommodate 36" x 84" (914 x 2134) and 72" x 84" (1829 x 2134) door openings. Visit usalum.com for more information.

NOTE: NP225 Glazing Gaskets are used on both sides of glass, except at OG564 Head Insert. (Typical)



NOT TO SCALE

Online usalum.com By Phone (800) 262-5151
 Online crlaurence.com By Phone (800) 421-6144

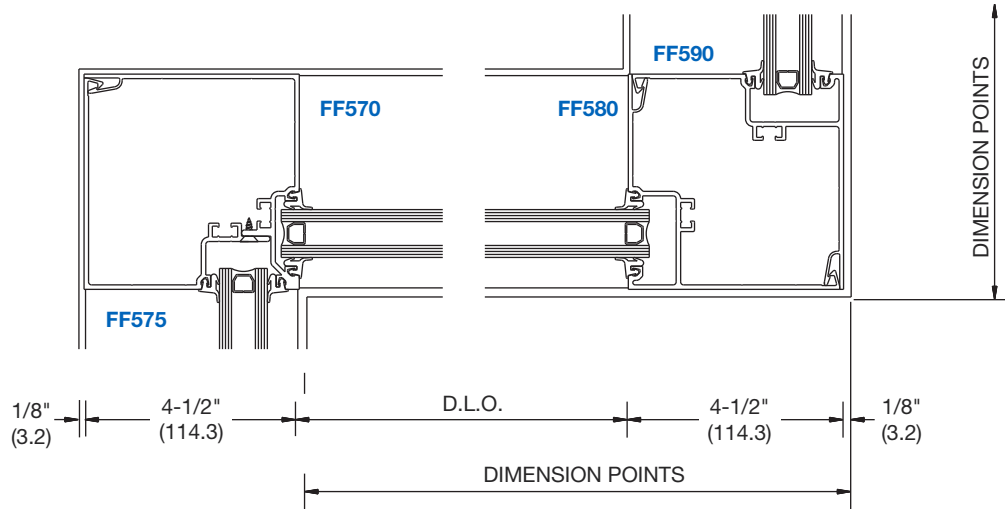
Typical Details

OS-2 Systems
• Series OS451

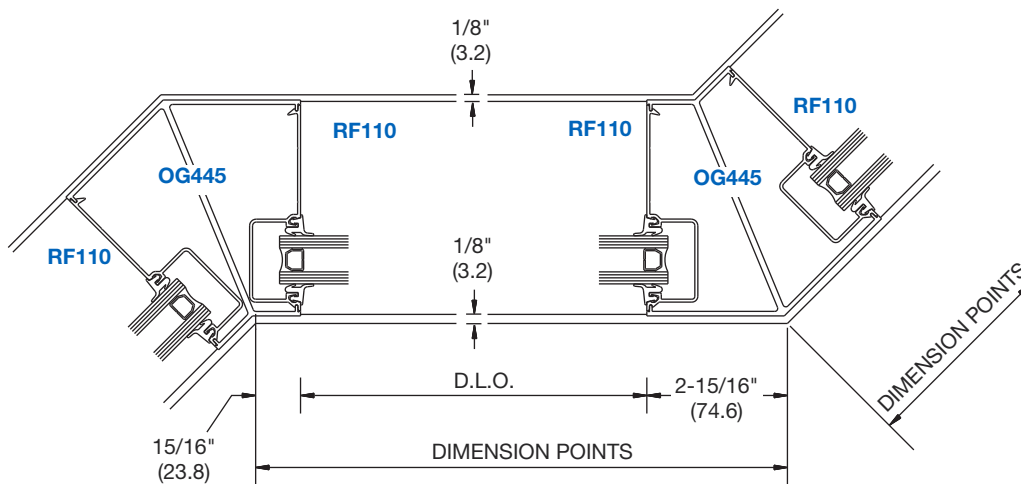
**VERTICAL CORNER CONDITIONS
FOR 1" (25) GLAZING**

NOTE: Part numbers shown are available in 24' (7.3 m) stock lengths. Visit usalum.com for more information.

90 DEGREE CORNERS



135 DEGREE CORNERS



NOT TO SCALE

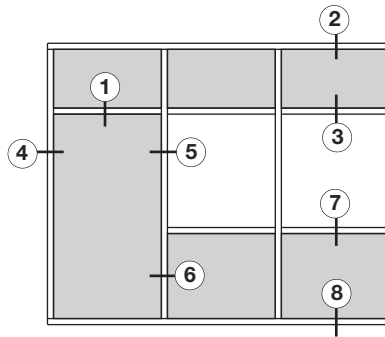
WINDOW WALLS

Typical Details

OS-2 Systems • Series OS451

TRANSITION GLAZING FOR 1" (25) TO 1/4" (6) OR 3/8" (10) GLAZING

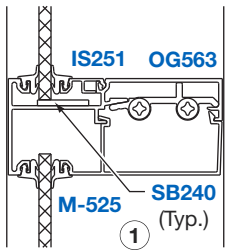
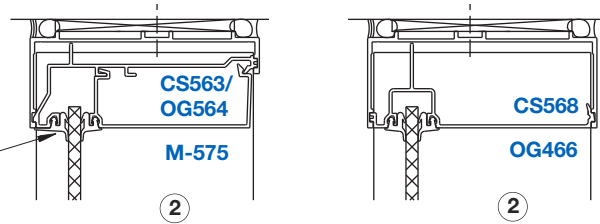
NOTE: Part numbers shown are available in 24' (7.3 m) stock lengths. Visit usalum.com for more information.



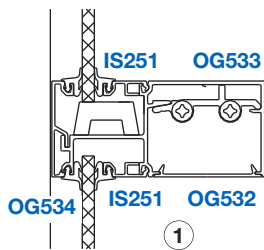
TYPICAL ELEVATION

NOTE: NP225 Glazing Gaskets are used on both sides of glass, except at OG564 Head Insert. (Typical)

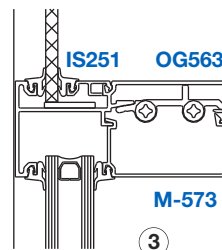
NP142
Outside Gasket
for OG564 Only
Inside Glazing



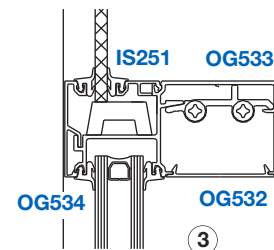
Interior Glazing



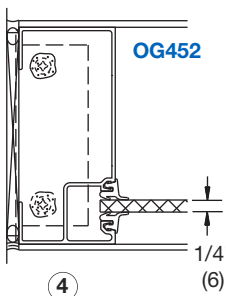
Exterior Glazing



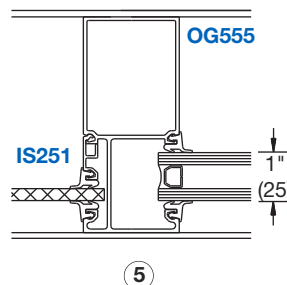
Interior Glazing



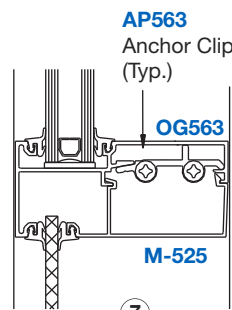
Exterior Glazing



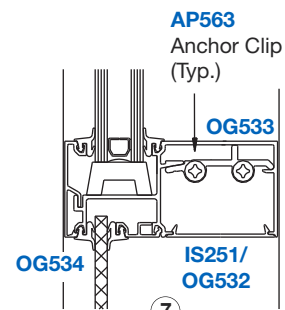
4 (6)



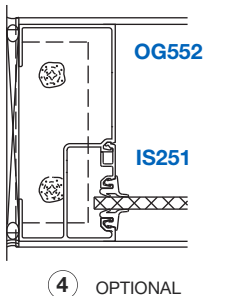
5



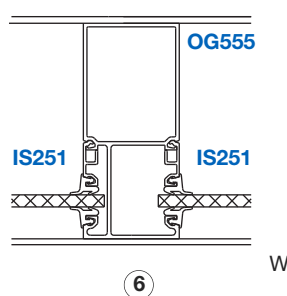
7



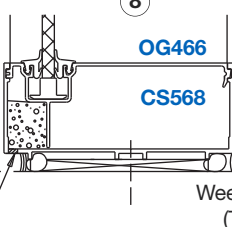
7



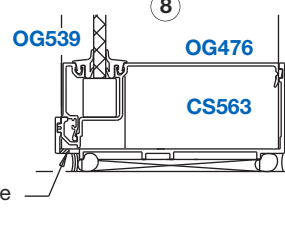
4 OPTIONAL



6



Interior Glazing



Exterior Glazing

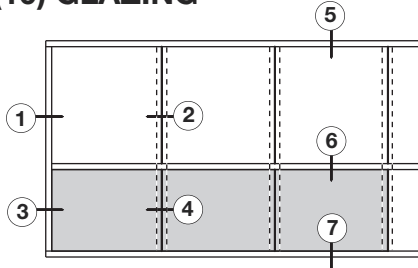
NOT TO SCALE

Typical Details

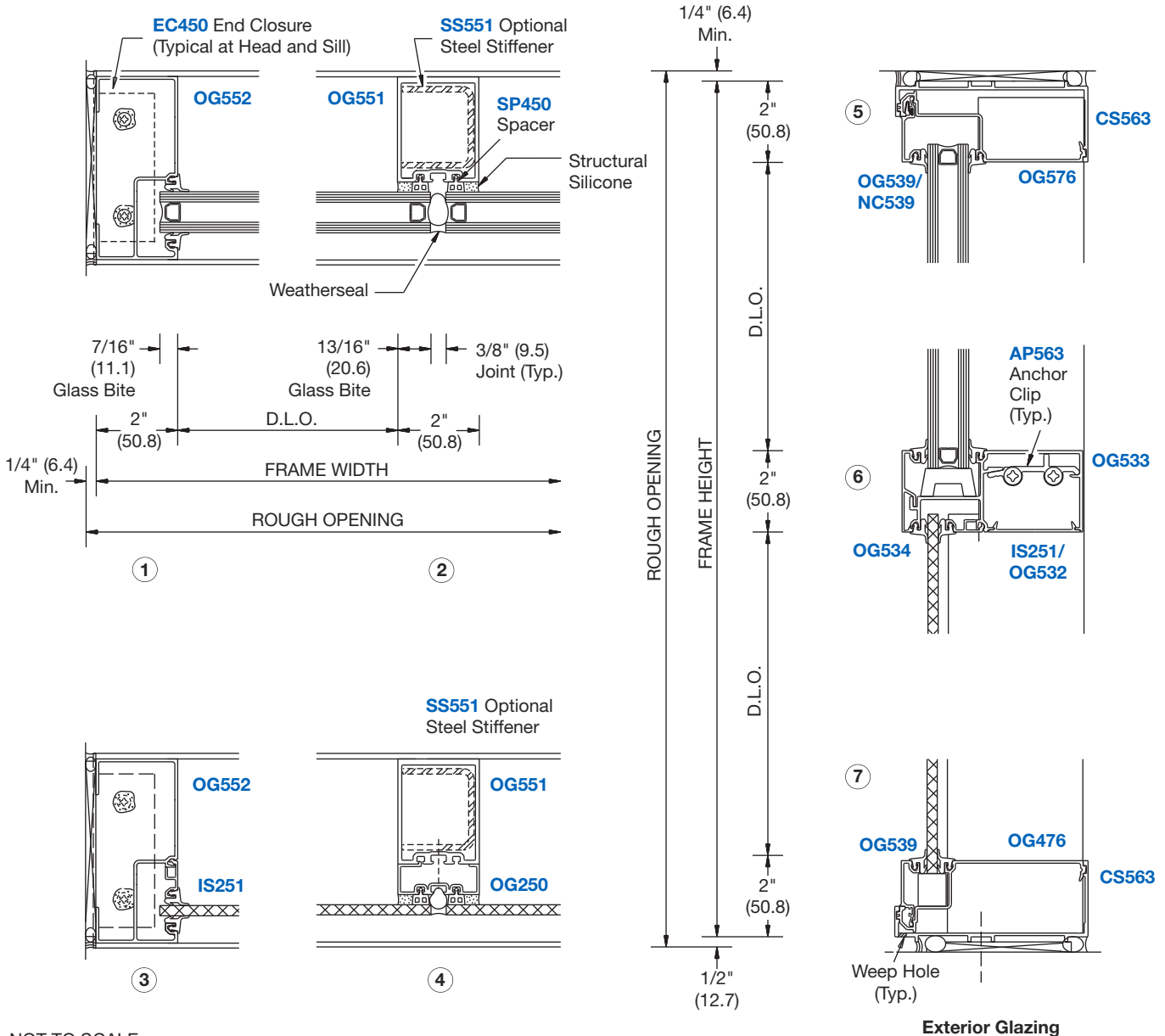
OS-2 Systems
• Series OS451SG

**STRUCTURAL SILICONE GLAZING
FOR 1" (25) TO 1/4" (6) OR 3/8" (10) GLAZING**

NOTE: Part numbers shown are available in 24' (7.3 m) stock lengths. Visit usalum.com for more information.



TYPICAL ELEVATION



NOT TO SCALE

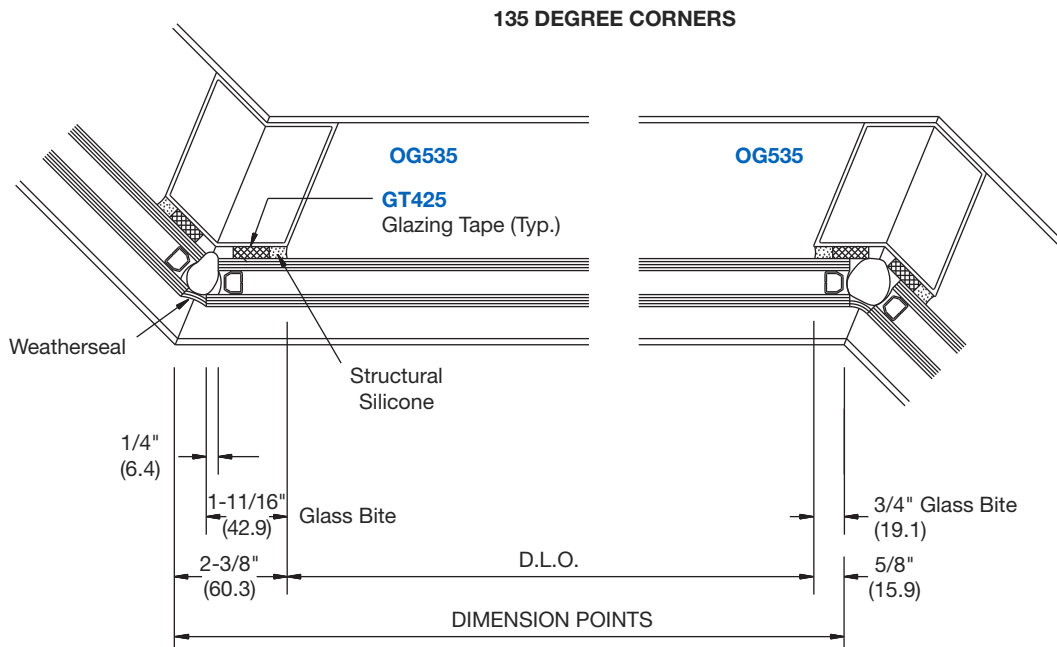
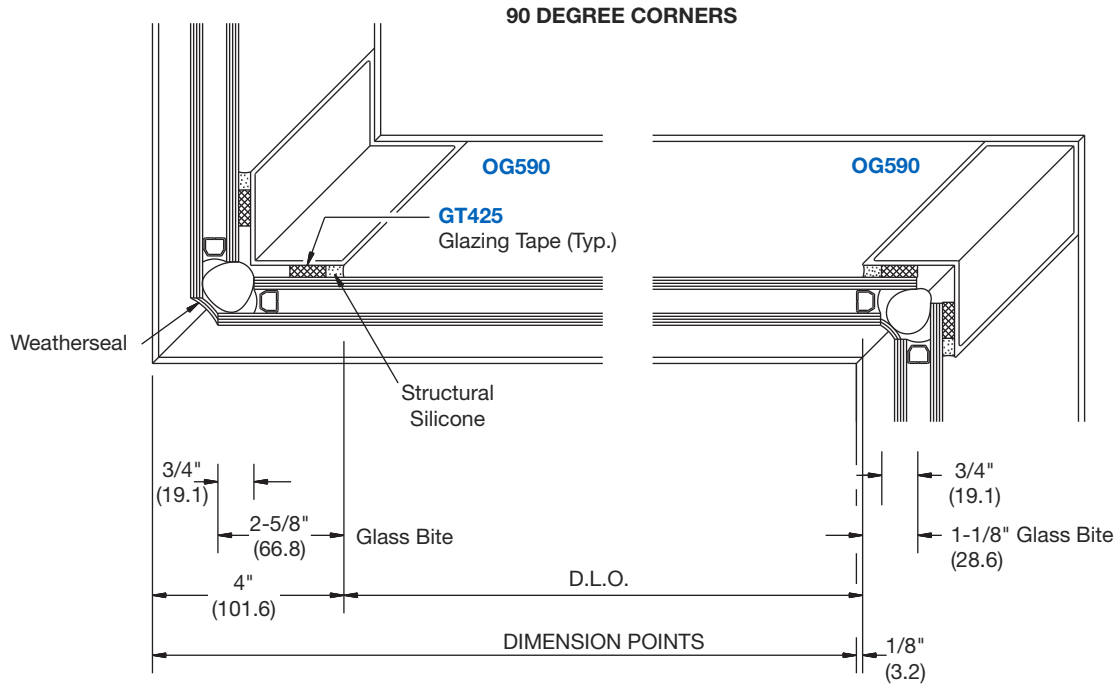
WINDOW WALLS

Typical Details

OS-2 Systems
• Series OS451SG

STRUCTURAL SILICONE GLAZING CORNER CONDITIONS FOR 1" (25) GLAZING

NOTE: Part numbers shown are available in 24' (7.3 m) stock lengths. Visit usalum.com for more information.



NOT TO SCALE

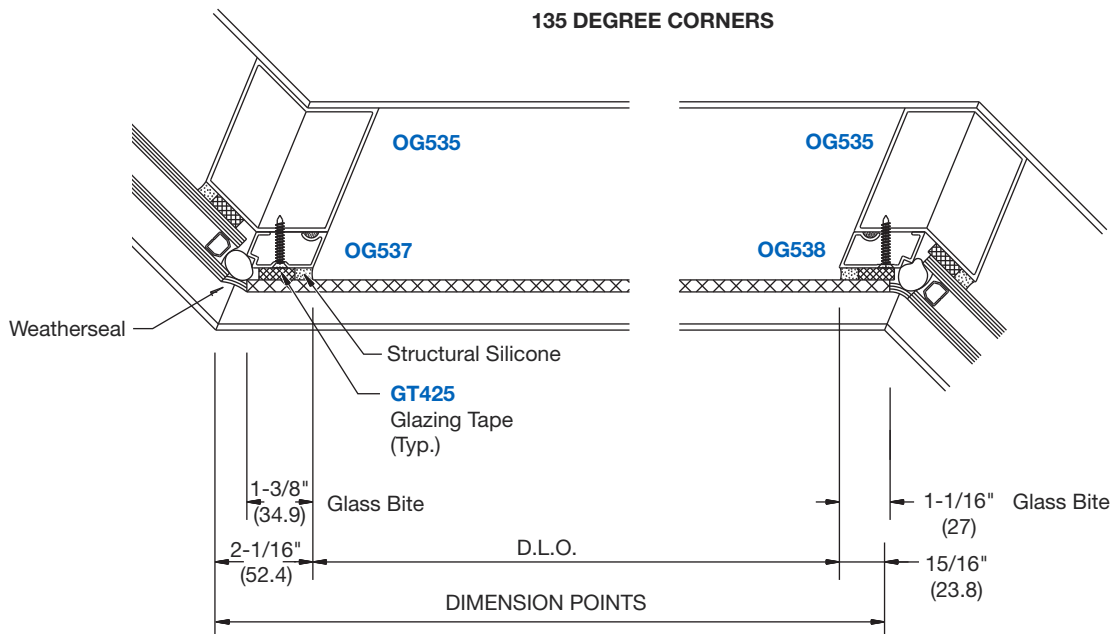
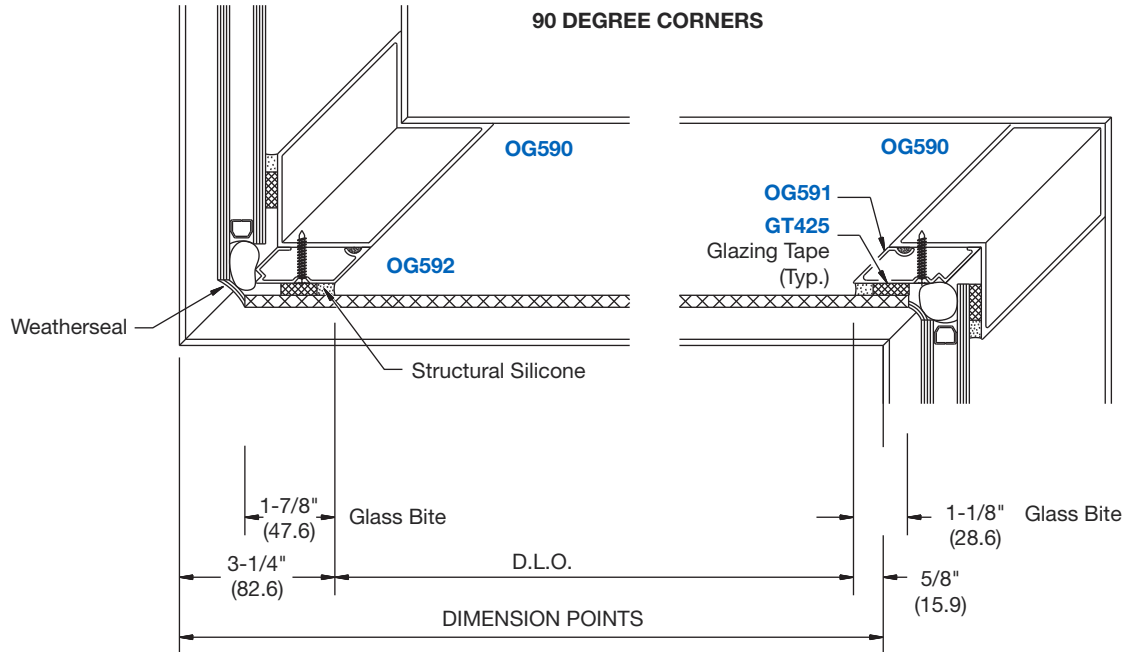
Online usalum.com By Phone (800) 262-5151
Online crlaurence.com By Phone (800) 421-6144

Typical Details

OS-2 Systems
 • Series OS451SG

**STRUCTURAL SILICONE GLAZING
 TRANSITION GLAZING - CORNER CONDITIONS
 FOR 1" (25) TO 1/4" (6) OR 3/8" (10) GLAZING**

NOTE: Part numbers shown are available in 24' (7.3 m) stock lengths. Visit usalum.com for more information.



NOT TO SCALE

WINDOW WALLS

Windload Charts

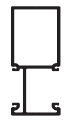
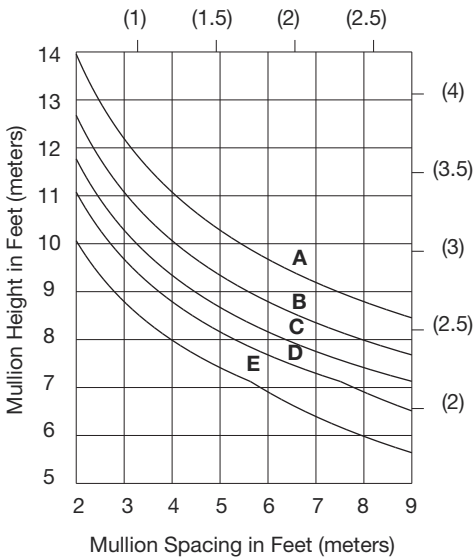
OS-2 Systems

- Series OS451
- Series OS451SG

CAPTURED VERTICAL MULLIONS FOR 1" (25) GLAZING

Deflection criteria to be in accordance with AAMA TIR-A11 - L/175 or L/240 + 1/4" (6.4 mm) for spans greater than 13'-6" (4.1 m) but less than 40'-0" (12.2 m). Codes and specifications may vary. No single lite of glass shall deflect more than 3/4" (19 mm). Glass is not considered as contributing to resistance of deflection. Aluminum alloy 6063-T6 allowable stress for windload is 15,200 psi. (89 MPa), and steel reinforcing allowable stress for windload is 21,600 psi. (183 MPa).

These charts include unbraced length analysis and are based on at least one horizontal being placed at the midpoint of the span. For other applications, please contact U.S. Aluminum Technical Sales at (800) 262-5151, or visit our web site at usalum.com.

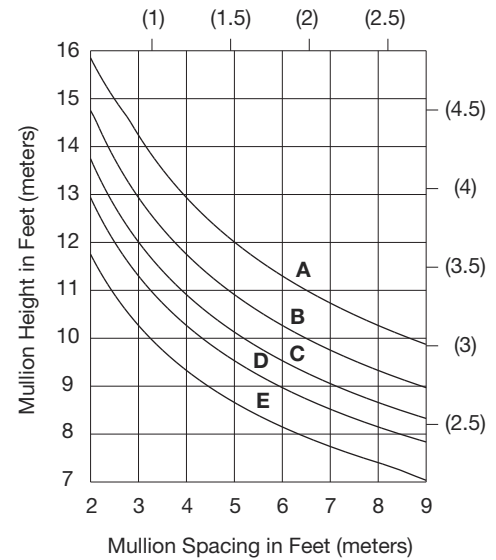


OG555

OG555
 $I = 2.675 (111.34 \times 10^4)$
 $S = 1.149 (18.83 \times 10^3)$

SS555 Steel Stiffener
 $I = .547 (22.77 \times 10^4)$
 $S = .500 (8.20 \times 10^3)$

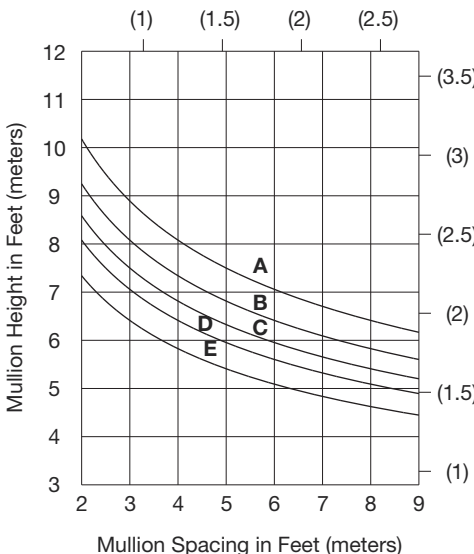
$IAL+STL = 4.261 (177.36 \times 10^4)$



OG555 With SS555

Limitation of vertical mullions for:
 CURVES A = 15 PSF (718 Pa)
 CURVES B = 20 PSF (957 Pa)
 CURVES C = 25 PSF (1197 Pa)
 CURVES D = 30 PSF (1436 Pa)
 CURVES E = 40 PSF (1915 Pa)

STRUCTURAL GLAZED VERTICAL MULLIONS

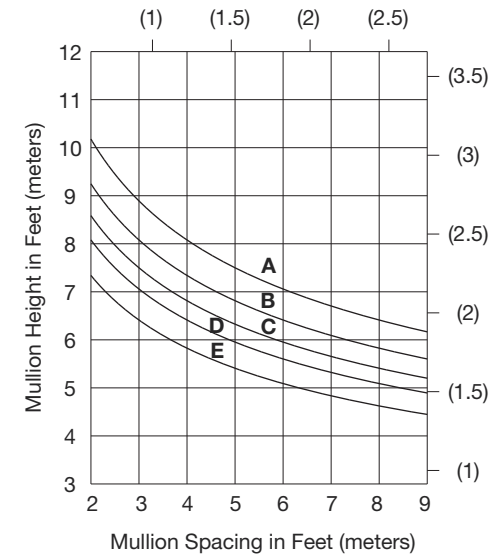


OG551

OG551
 $I = 1.038 (43.20 \times 10^4)$
 $S = .794 (13.01 \times 10^3)$

SS551 Steel Stiffener
 $I = .445 (18.52 \times 10^4)$
 $S = .396 (6.49 \times 10^3)$

$IAL+STL = 2.328 (96.92 \times 10^4)$



OG551 With SS551

NOTE: See page 50-C3 for Structural Silicone Chart

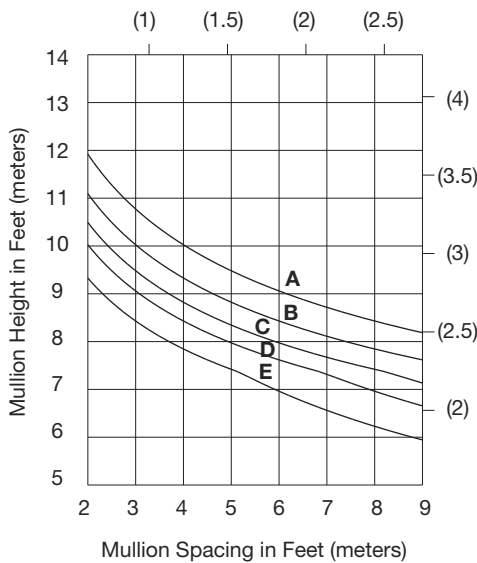
Windload Charts

OS-2 Systems
 • Series OS451
 • Series OS451SG

CAPTURED VERTICAL MULLIONS FOR 1" (25) GLAZING

Deflection criteria to be in accordance with AAMA TIR-A11 - L/175 or L/240 + 1/4" (6.4 mm) for spans greater than 13'-6" (4.1 m) but less than 40'-0" (12.2 m). Codes and specifications may vary. No single lite of glass shall deflect more than 3/4" (19 mm). Glass is not considered as contributing to resistance of deflection. Aluminum alloy 6063-T6 allowable stress for windload is 15,200 psi. (89 MPa), and steel reinforcing allowable stress for windload is 21,600 psi. (183 MPa).

These charts include unbraced length analysis and are based on at least one horizontal being placed at the midpoint of the span. For other applications, please contact U.S. Aluminum Technical Sales at (800) 262-5151, or visit our web site at usalum.com.



**FF560
FF569**

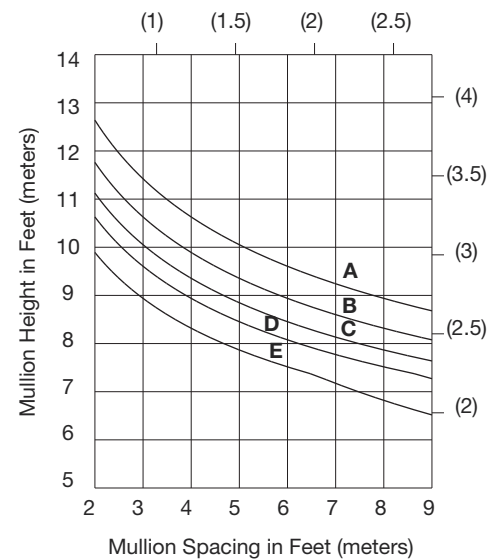


**FF560
FF569
With SS569**

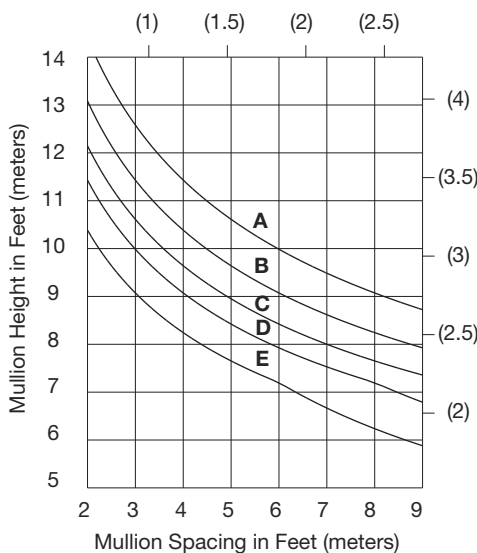
FF560/FF569
 $I = 4.094 (170.40 \times 10^4)$
 $S = 1.710 (28.02 \times 10^3)$

SS569 Steel Stiffener
 $I = .373 (15.53 \times 10^4)$
 $S = .373 (6.1 \times 10^3)$

$IAL+STL = 5.176 (215.43 \times 10^4)$



Limitation of vertical mullions for:
 CURVES **A** = 15 PSF (718 Pa)
 CURVES **B** = 20 PSF (957 Pa)
 CURVES **C** = 25 PSF (1197 Pa)
 CURVES **D** = 30 PSF (1436 Pa)
 CURVES **E** = 40 PSF (1915 Pa)



OG536

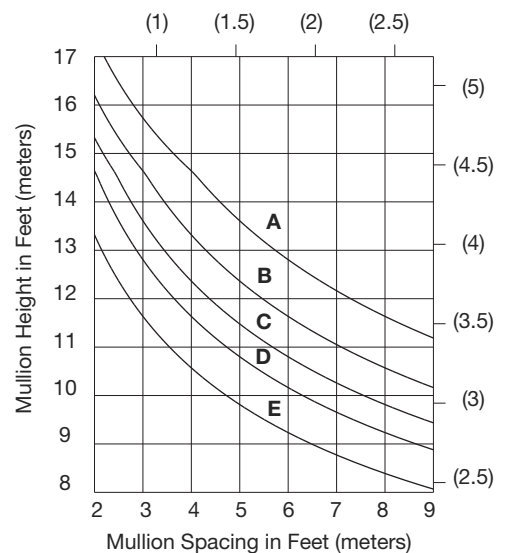


**OG536
With SS045**

OG536
 $I = 2.940 (122.66 \times 10^4)$
 $S = 1.237 (20.27 \times 10^3)$

SS045 Steel Stiffener
 $I = 1.122 (46.70 \times 10^4)$
 $S = .544 (8.92 \times 10^3)$

$IAL+STL = 6.201 (258.10 \times 10^4)$



WINDOW WALLS

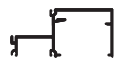
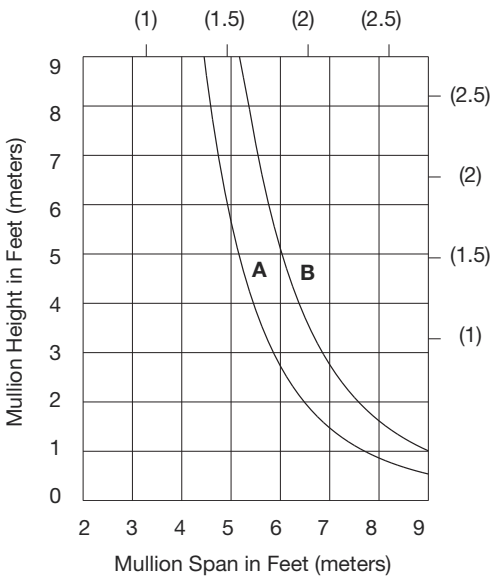
Deadload Charts

OS-2 Systems
 • Series OS451
 • Series OS451SG

INTERMEDIATE HORIZONTAL MULLIONS FOR 1" (25) GLAZING

Deadload charts are based on 1/8" (3.2) maximum allowable deflection at the center point of the horizontal mullion and on a glass weight of 6.5 p.s.f. (31.74 Kg/m²) for 1" (25) glass.

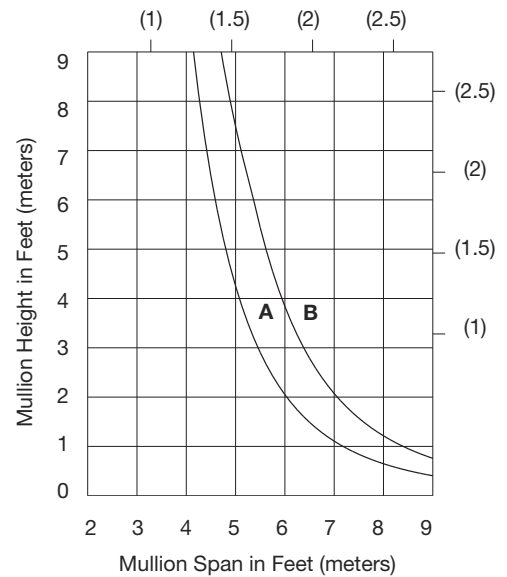
Glass shall rest on two setting blocks located at:
 CURVES **A**: 1/4 points
 CURVES **B**: 1/8 points or 8" (203.2) from corners, whichever is larger



OG533
 $I_{yy} = .455$
 (18.94 x 10⁴)



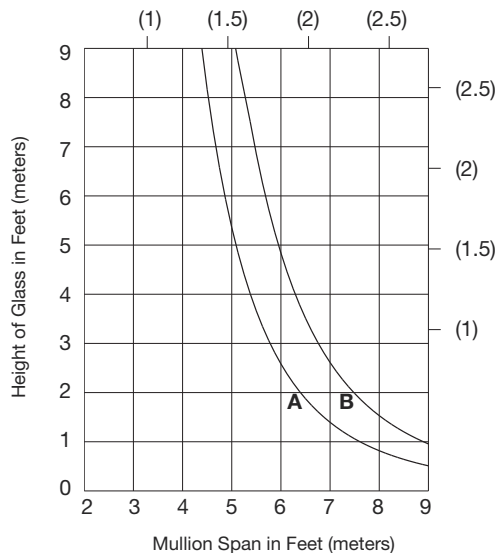
OG563
 $I_{yy} = .342$
 (14.24 x 10⁴)



DOOR HEADER

Deadload chart is based on 1/16" (1.6) maximum deflection at the center point of the horizontal mullion and on a glass weight of 6.5 p.s.f. (31.74 Kg/m²) for 1" (25) glass.

Glass shall rest on two setting blocks located at:
 CURVES **A**: 1/4 points
 CURVES **B**: 1/8 points or 8" (203.2) from corners, whichever is larger



I-450
 $I_{yy} = .862$
 (35.88 x 10⁴)

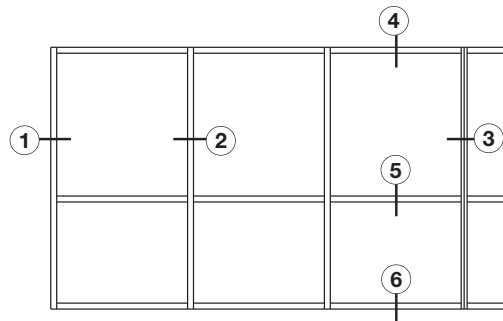
WINDOW WALLS

Typical Details

OS-2 Systems • Series OS600

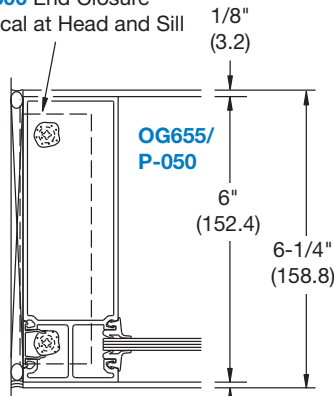
**FOR 1/4" (6) OR
3/8" (10) GLAZING**

NOTE: Part numbers shown are available in 24' (7.3 m) stock lengths. Visit usalum.com for more information.

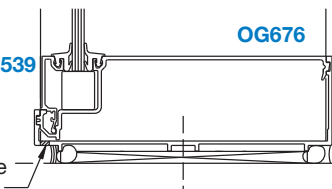
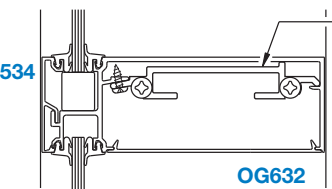
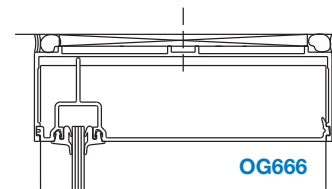
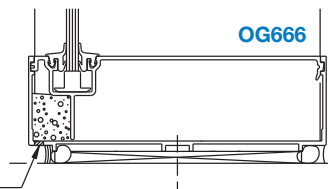
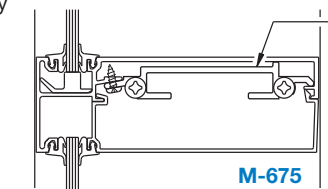
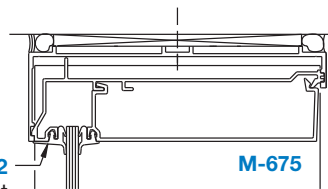
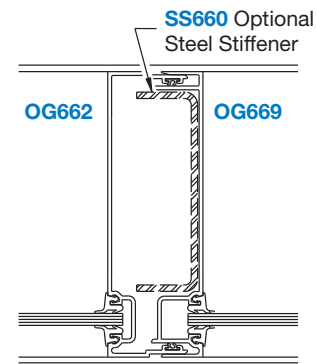
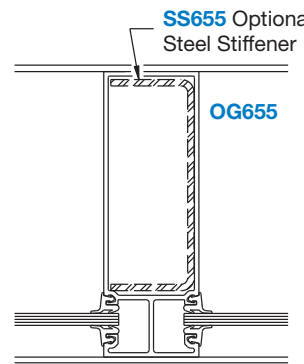
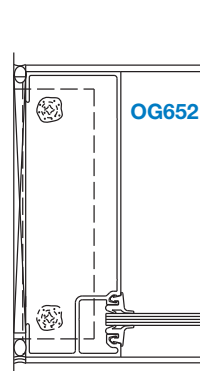
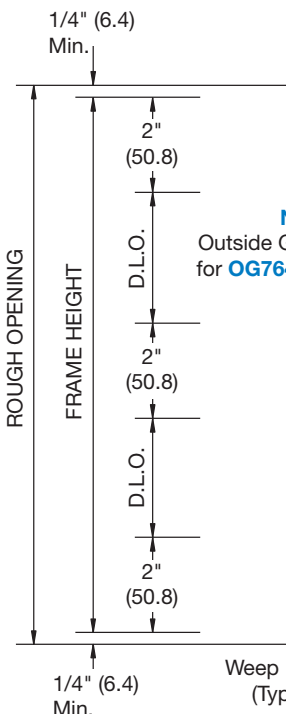
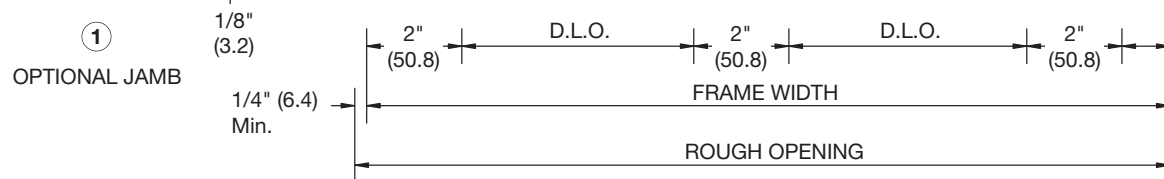


NOTE: NP225 Glazing Gaskets are used on both sides of glass, except at OG764 Head Insert. (Typical)

EC600 End Closure
Typical at Head and Sill



TYPICAL ELEVATION



Weep Hole
(Typ.)

Interior Glazing

Exterior Glazing

NOT TO SCALE

WINDOW WALLS

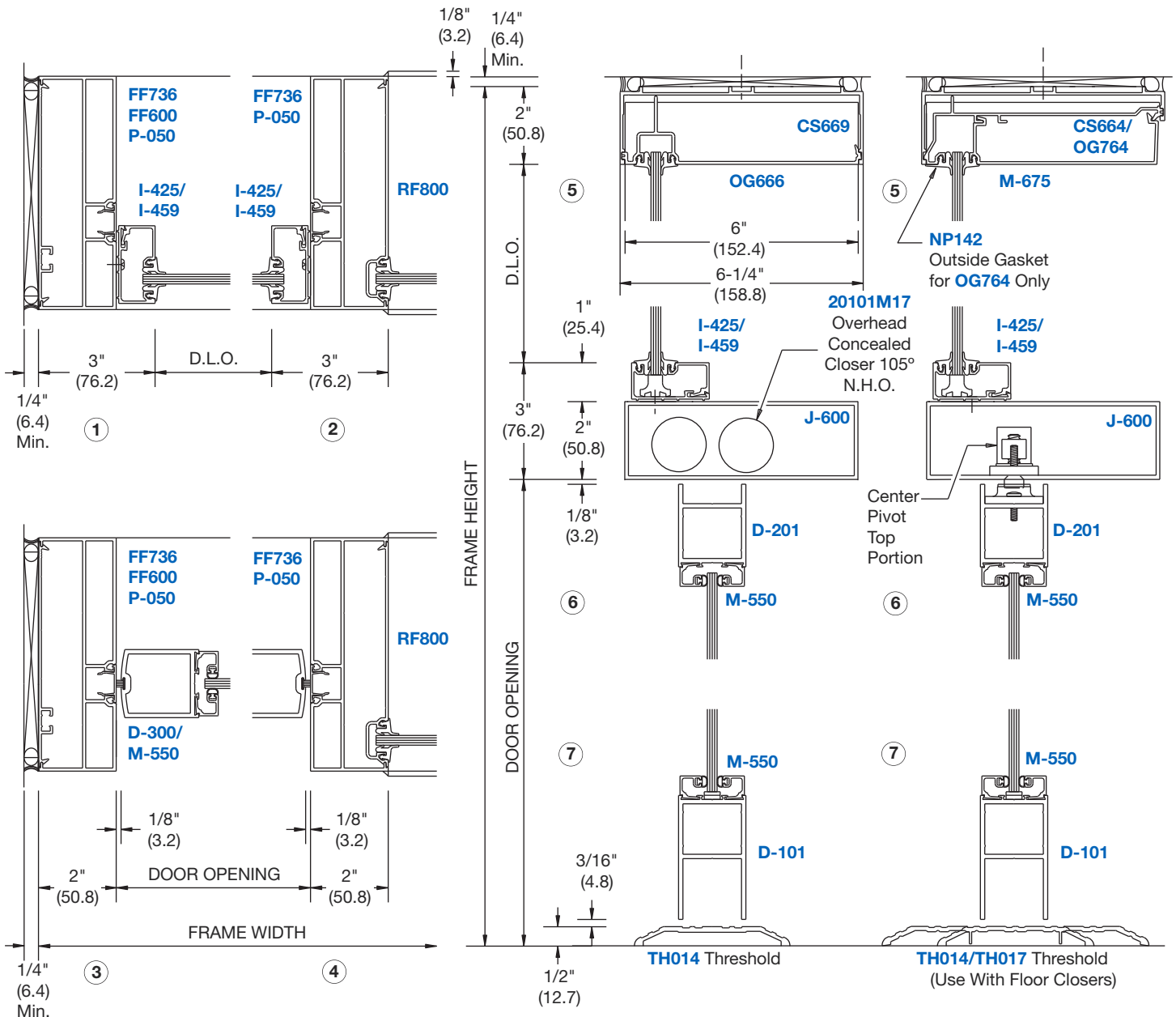
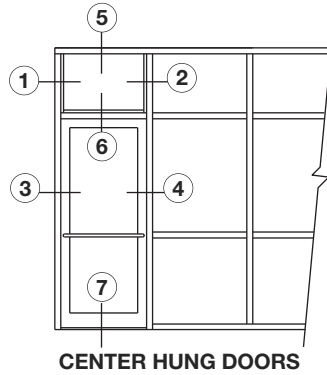
Typical Details

OS-2 Systems • Series OS600

DOOR FRAMING

NOTE: Doors are available in stock to accommodate 36" x 84" (914 x 2134) and 72" x 84" (1829 x 2134) door openings. Visit usalum.com for more information.

NOTE: NP225 Glazing Gaskets are used on both sides of glass, except at OG764 Head Insert. (Typical)



WINDOW WALLS

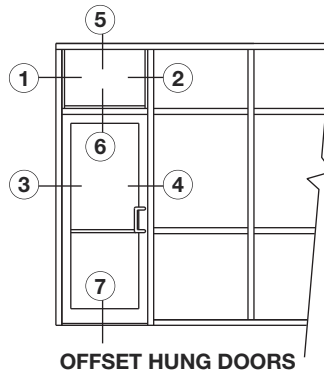
Typical Details

DOOR FRAMING

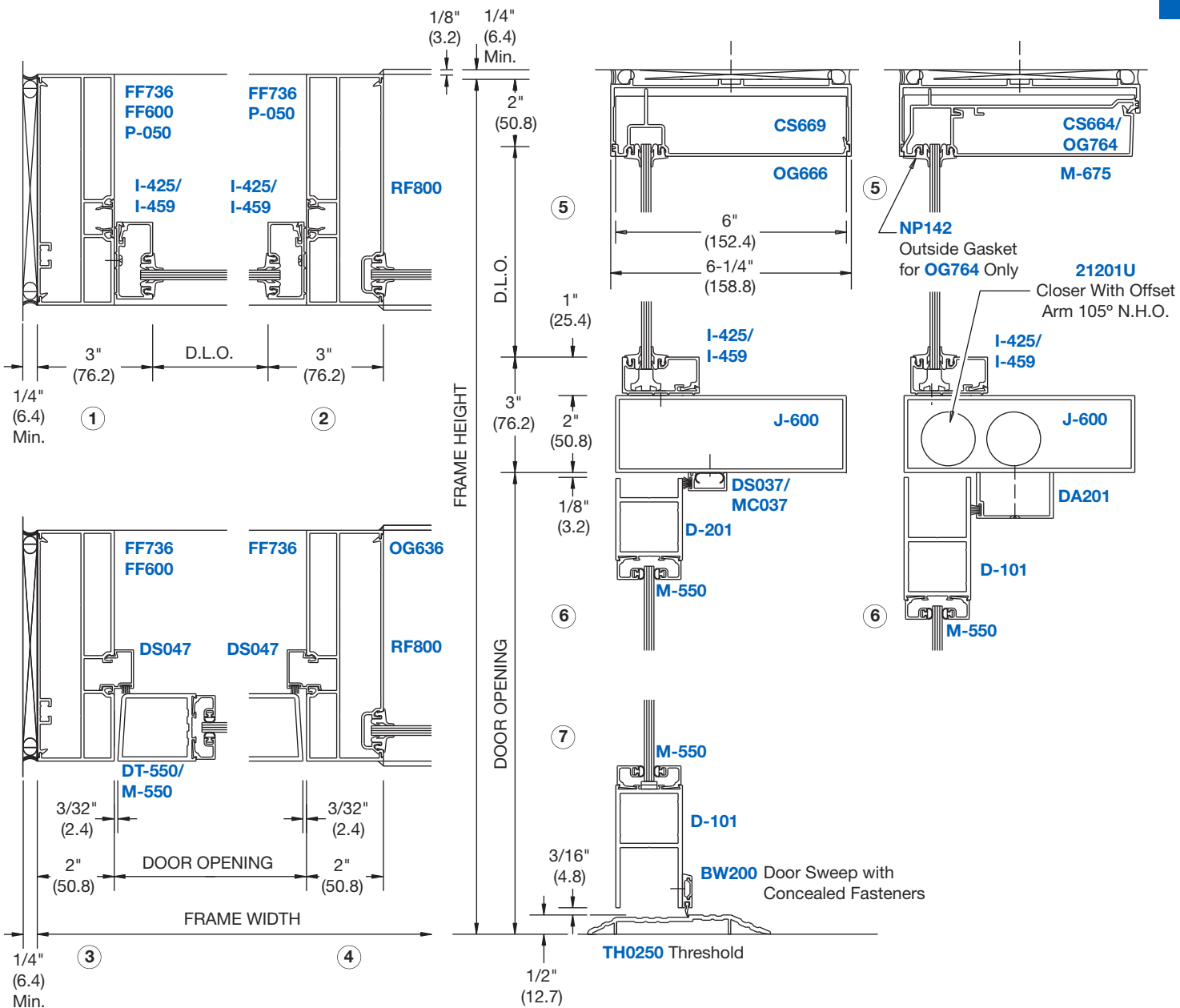
NOTE: Doors are available in stock to accommodate 36" x 84" (914 x 2134) and 72" x 84" (1829 x 2134) door openings. Visit usalum.com for more information.

OS-2 Systems • Series OS600

NOTE: NP225 Glazing Gaskets are used on both sides of glass, except at OG764 Head Insert. (Typical)



OFFSET HUNG DOORS



NOT TO SCALE

WINDOW WALLS

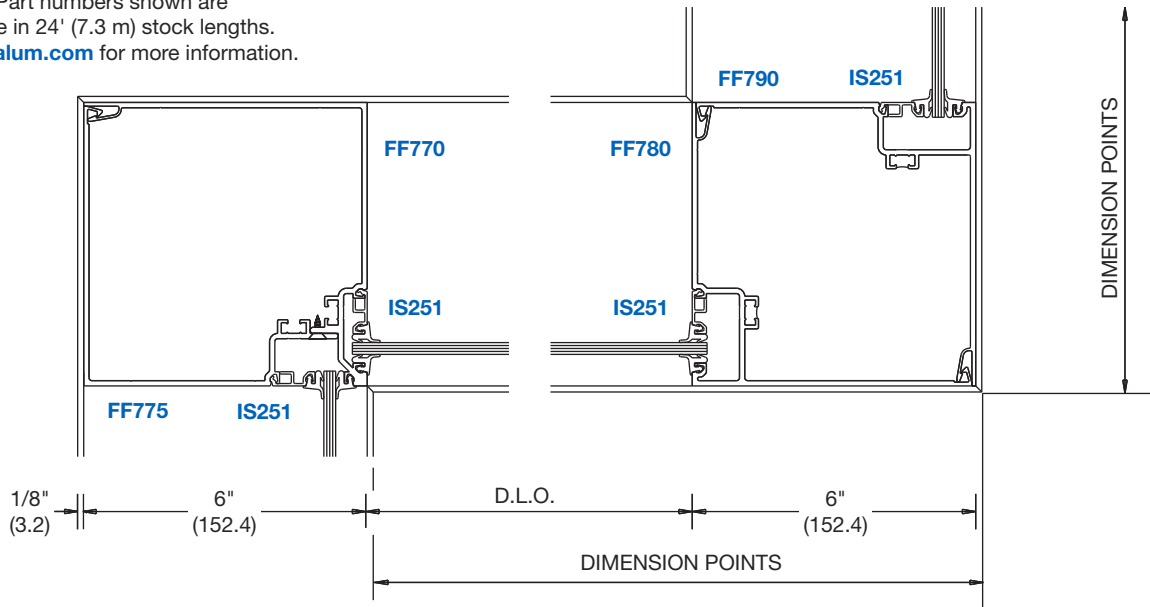
Typical Details

OS-2 Systems
• Series OS600

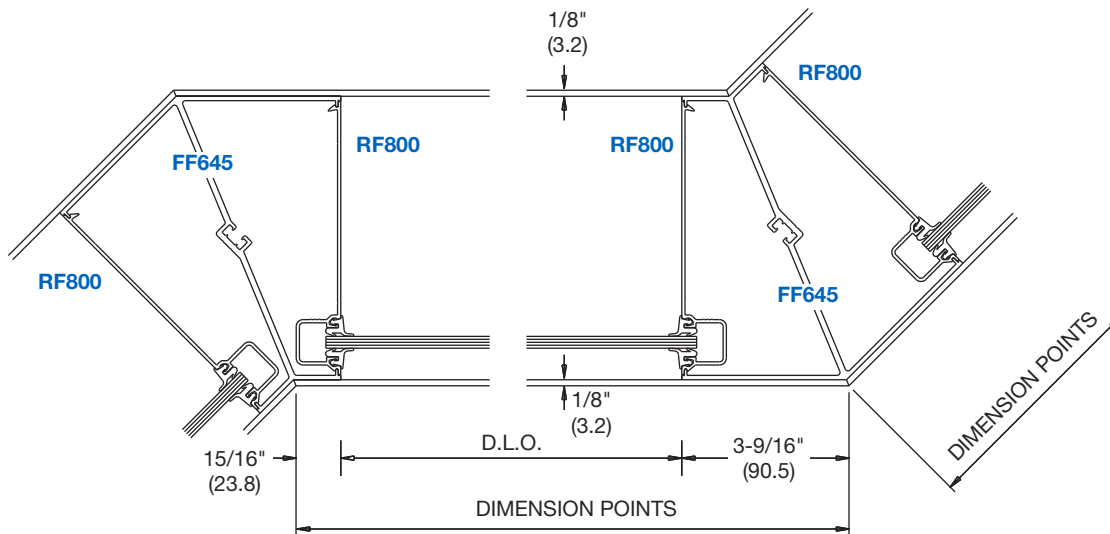
VERTICAL CORNER CONDITIONS FOR 1/4" (6) OR 3/8" (10) GLAZING

90 DEGREE CORNERS

NOTE: Part numbers shown are available in 24' (7.3 m) stock lengths. Visit usalum.com for more information.



135 DEGREE CORNERS



NOT TO SCALE

Online usalum.com By Phone (800) 262-5151
Online crlaurence.com By Phone (800) 421-6144

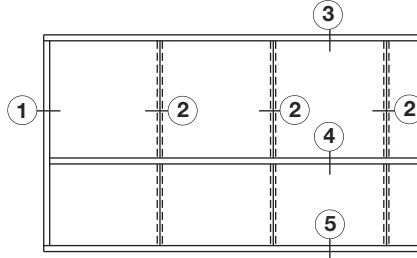
WINDOW WALLS

Typical Details

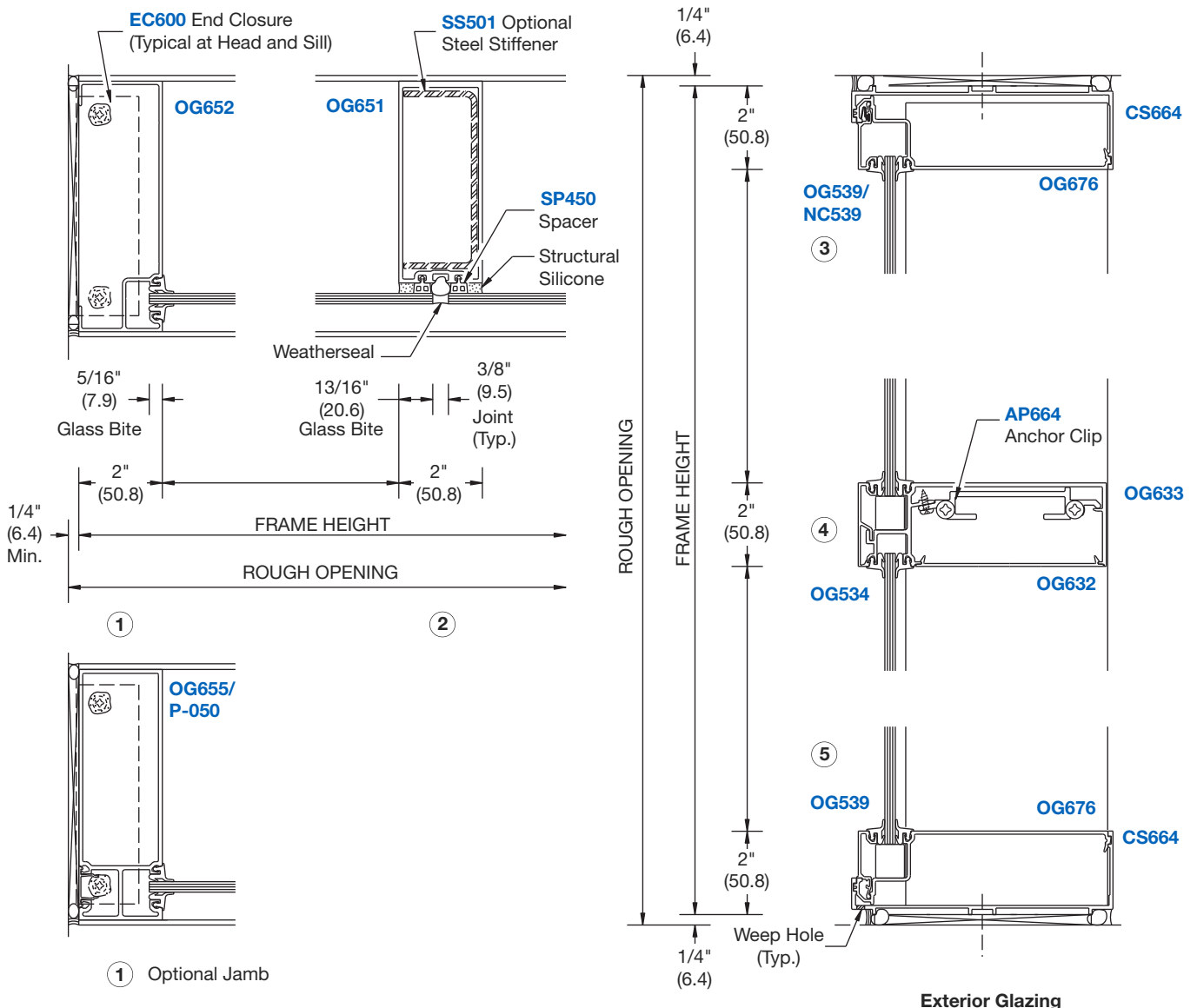
OS-2 Systems
• Series OS600SG

STRUCTURAL SILICONE GLAZING FOR 1/4" (6) OR 3/8" (10) GLAZING

NOTE: Part numbers shown are available in 24' (7.3 m) stock lengths. Visit usalum.com for more information.



TYPICAL ELEVATION



NOT TO SCALE

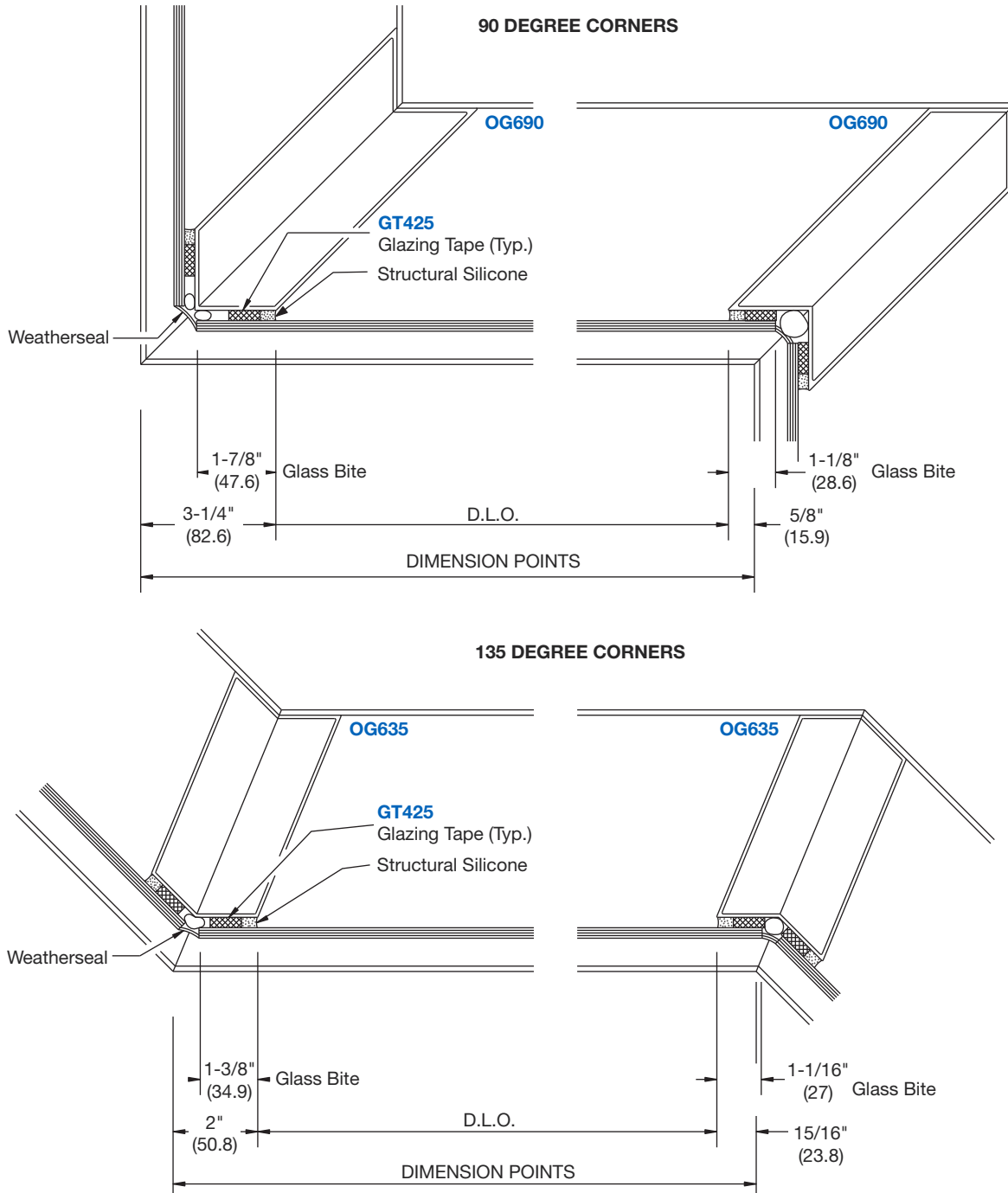
WINDOW WALLS

Typical Details

OS-2 Systems
• Series OS600SG

STRUCTURAL SILICONE GLAZING CORNER CONDITIONS FOR 1/4" (6) OR 3/8" (10) GLAZING

NOTE: Part numbers shown are available in 24' (7.3 m) stock lengths. Visit usalum.com for more information.



NOT TO SCALE

Online usalum.com By Phone (800) 262-5151
Online crlaurence.com By Phone (800) 421-6144

Windload Charts

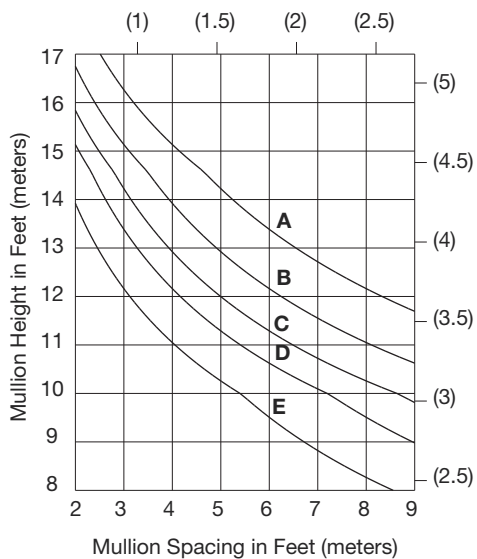
OS-2 Systems

- Series OS600
- Series OS600SG

CAPTURED VERTICAL MULLIONS FOR 1/4" (6) OR 3/8" (10) GLAZING

Deflection criteria to be in accordance with AAMA TIR-A11 - L/175 or L/240 + 1/4" (6.4 mm) for spans greater than 13'-6" (4.1 m) but less than 40'-0" (12.2 m). Codes and specifications may vary. No single lite of glass shall deflect more than 3/4" (19 mm). Glass is not considered as contributing to resistance of deflection. Aluminum alloy 6063-T6 allowable stress for windload is 15,200 psi. (89 MPa), and steel reinforcing allowable stress for windload is 21,600 psi. (183 MPa).

These charts include unbraced length analysis and are based on at least one horizontal being placed at the midpoint of the span. For other applications, please contact U.S. Aluminum Technical Sales at (800) 262-5151, or visit our web site at usalum.com.



OG655

OG655

$I = 7.082 (294.78 \times 10^4)$
 $S = 2.178 (35.69 \times 10^3)$

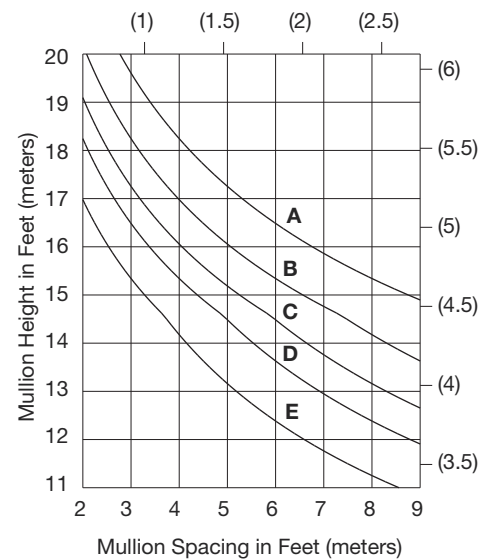
SS655 Steel Stiffener

$I = 2.715 (114.51 \times 10^4)$
 $S = 1.224 (20.05 \times 10^3)$

$IAL + STL = 14.956 (622.49 \times 10^4)$

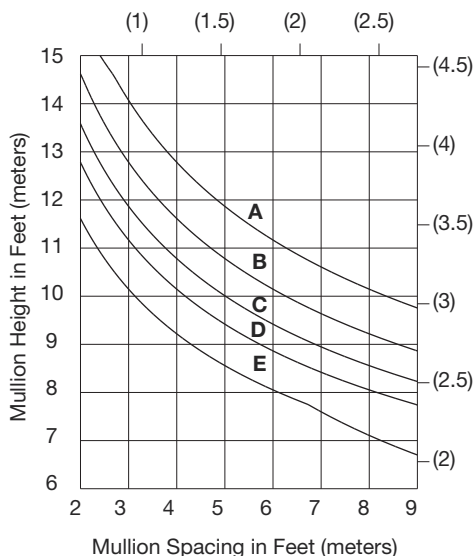


OG655 With SS655



STRUCTURAL GLAZED VERTICAL MULLIONS

Limitation of vertical mullions for:
 CURVES **A** = 15 PSF (718 Pa)
 CURVES **B** = 20 PSF (957 Pa)
 CURVES **C** = 25 PSF (1197 Pa)
 CURVES **D** = 30 PSF (1436 Pa)
 CURVES **E** = 40 PSF (1915 Pa)



OG651

OG651

$I = 4.112 (171.15 \times 10^4)$
 $S = 1.595 (26.14 \times 10^3)$

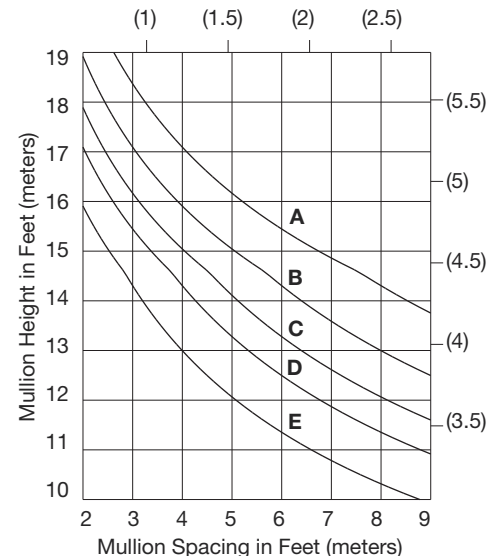
SS501 Steel Stiffener

$I = 2.556 (106.39 \times 10^4)$
 $S = 1.186 (19.44 \times 10^3)$

$IAL + STL = 11.524 (479.68 \times 10^4)$



OG651 With SS501



NOTE: See page 50-C3 for Structural Silicone Chart.

WINDOW WALLS



Windload Charts

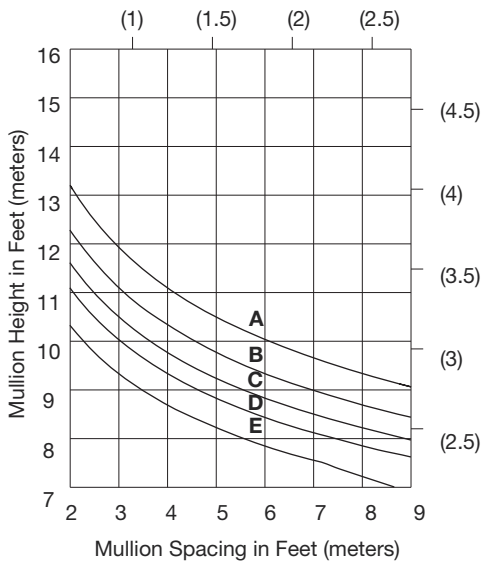
OS-2 Systems

- Series OS600
- Series OS600SG

CAPTURED VERTICAL MULLIONS FOR 1/4" (6) OR 3/8" (10) GLAZING

Deflection criteria to be in accordance with AAMA TIR-A11 - L/175 or L/240 + 1/4" (6.4 mm) for spans greater than 13'-6" (4.1 m) but less than 40'-0" (12.2 m). Codes and specifications may vary. No single lite of glass shall deflect more than 3/4" (19 mm). Glass is not considered as contributing to resistance of deflection. Aluminum alloy 6063-T6 allowable stress for windload is 15,200 psi. (89 MPa), and steel reinforcing allowable stress for windload is 21,600 psi. (183 MPa).

These charts include unbraced length analysis and are based on at least one horizontal being placed at the midpoint of the span. For other applications, please contact U.S. Aluminum Technical Sales at (800) 262-5151, or visit our web site at usalum.com.



**OG662
OG669**

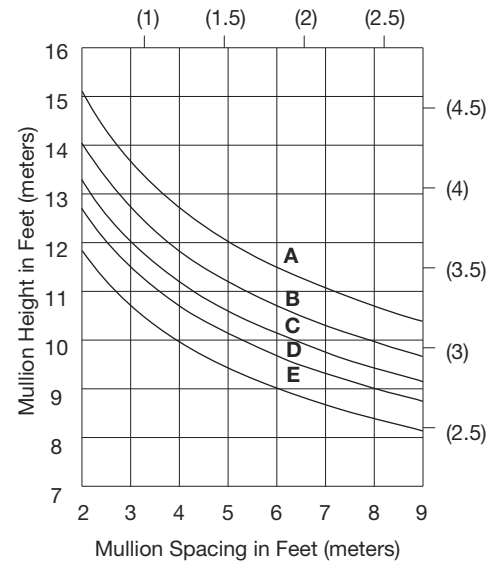


**OG662
OG669
With SS660**

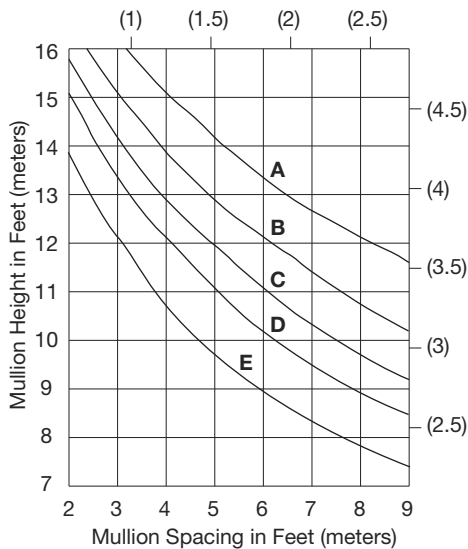
OG662/OG669
 $I = 8.088 (336.65 \times 10^4)$
 $S = 2.484 (40.71 \times 10^3)$

SS660 Steel Stiffener
 $I = 1.989 (82.79 \times 10^4)$
 $S = 0.950 (15.57 \times 10^3)$

$IAL + STL = 13.856$
 (576.74×10^4)



Limitation of vertical mullions for:
 CURVES **A** = 15 PSF (718 Pa)
 CURVES **B** = 20 PSF (957 Pa)
 CURVES **C** = 25 PSF (1197 Pa)
 CURVES **D** = 30 PSF (1436 Pa)
 CURVES **E** = 40 PSF (1915 Pa)



FF736/RF800

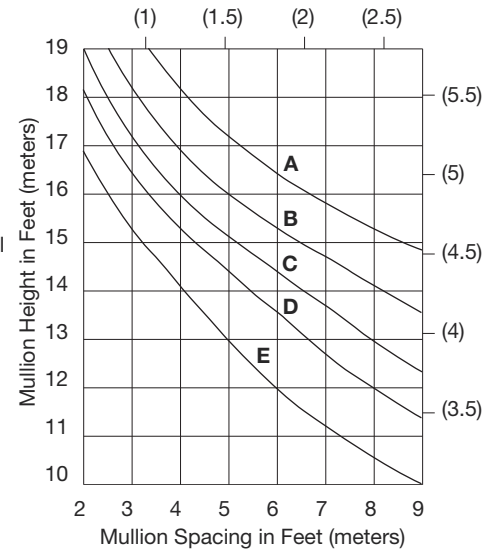


**FF736/RF800
With 1/4" x 5" Steel**

FF736/RF800
 $I = 7.427 (309.14 \times 10^4)$
 $S = 2.449 (40.10 \times 10^3)$

1/4" x 5" Steel Bar
 $I = 2.604 (108.39 \times 10^4)$
 $S = 1.302 (21.34 \times 10^3)$

$IAL + STL = 14.797$
 (623.46×10^4)



Deadload Charts

OS-2 Systems
 • Series OS600
 • Series OS600SG

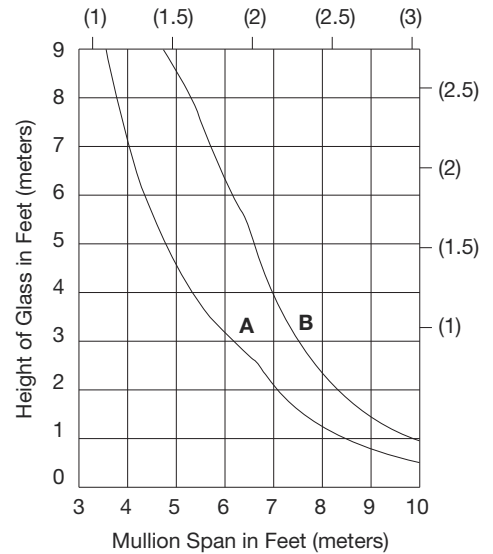
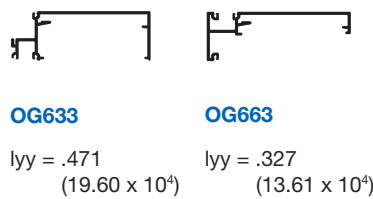
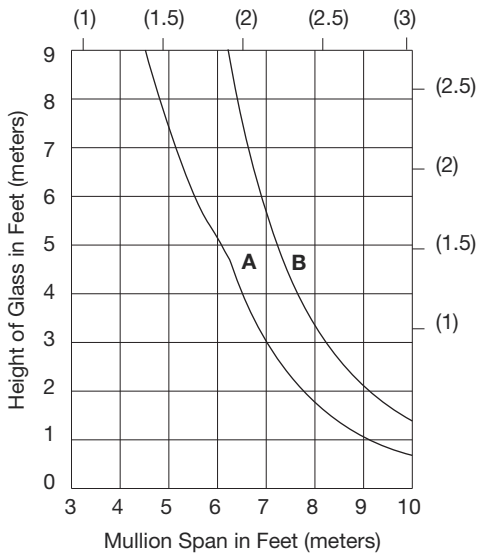
INTERMEDIATE HORIZONTAL MULLIONS FOR 1/4" (6) OR 3/8" (10) GLAZING

Deadload charts are based on 1/8" (3.2) maximum allowable deflection at the center point of the horizontal mullion and on a glass weight of 3.25 p.s.f. (15.87 Kg/m²) for 1/4" (6) glass.

Glass shall rest on two setting blocks located at:

CURVES **A** : 1/4 points

CURVES **B** : 1/8 points or 8" (203.2) from corners, whichever is larger



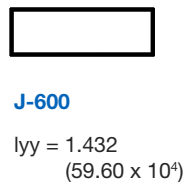
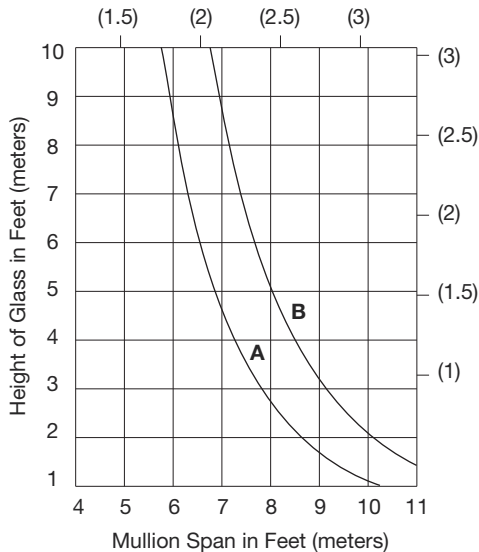
DOOR HEADER

Deadload chart is based on 1/16" (1.6) maximum allowable deflection at the center point of the header and on a glass weight of 3.25 p.s.f. (15.87 Kg/m²) for 1/4" (6) glass.

Glass shall rest on two setting blocks located at:

CURVES **A** : 1/4 points

CURVES **B** : 1/8 points or 8" (203.2) from corners, whichever is larger



WINDOW WALLS

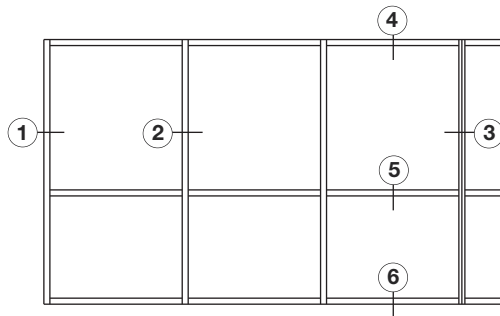
Typical Details

OS-2 Systems • Series OS601

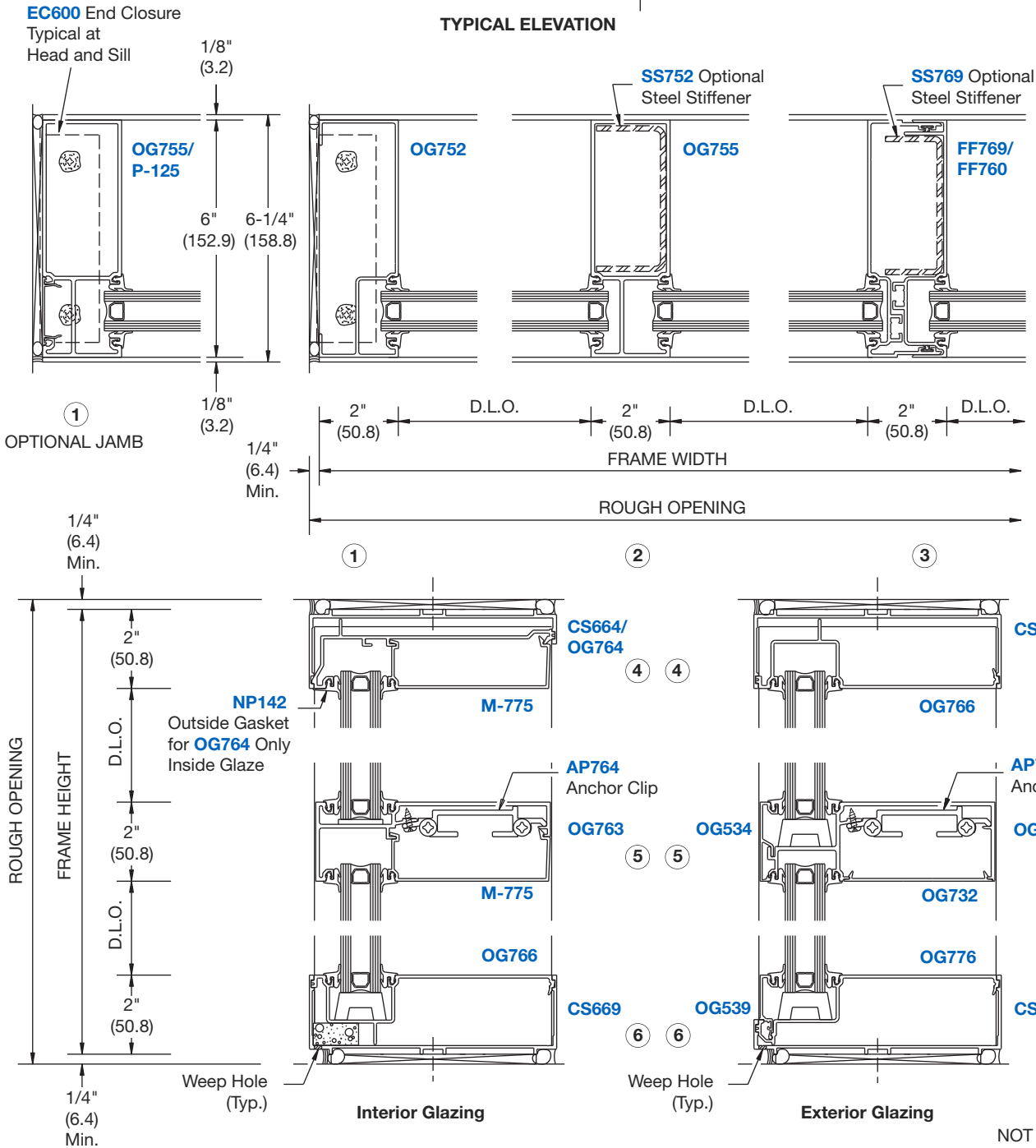
FOR 1" (25) GLAZING

NOTE: Part numbers shown are available in 24' (7.3 m) stock lengths. Visit usalum.com for more information.

NOTE: NP225 Glazing Gaskets are used on both sides of glass, except at OG764 Head Insert. (Typical)



TYPICAL ELEVATION



NOT TO SCALE

Online usalum.com By Phone (800) 262-5151
Online crlaurence.com By Phone (800) 421-6144

WINDOW WALLS

Typical Details

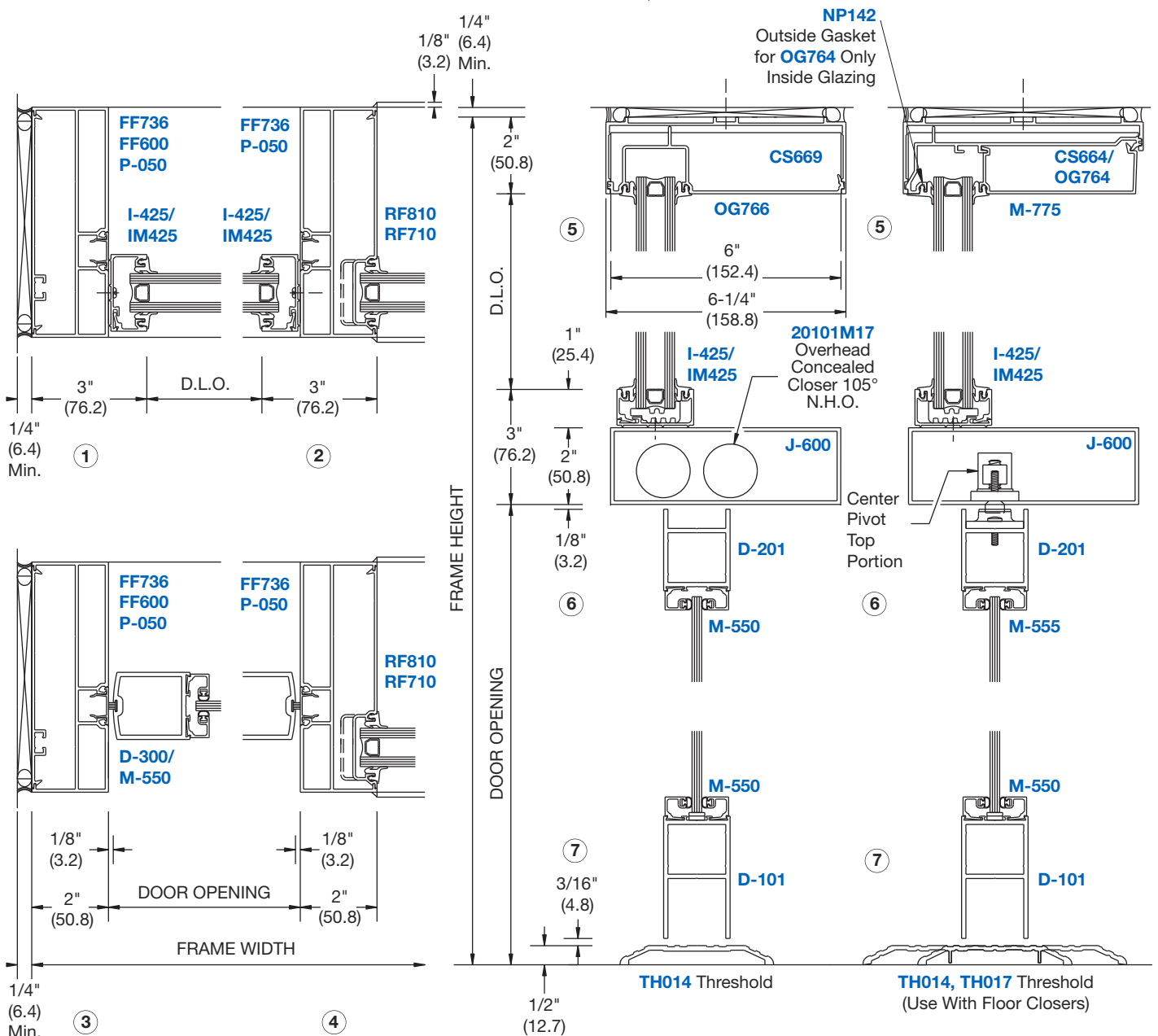
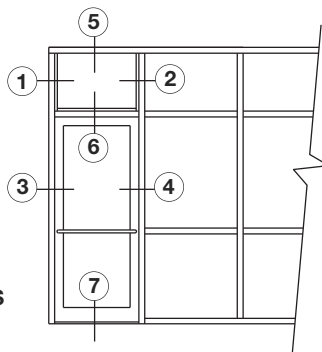
OS-2 Systems • Series OS601

DOOR FRAMING

NOTE: Doors are available in stock to accommodate 36" x 84" (914 x 2134) and 72" x 84" (1829 x 2134) door openings. Visit usalum.com for more information.

NOTE: NP225 Glazing Gaskets are used on both sides of glass, except at OG764 Head Insert. (Typical)

CENTER HUNG DOORS



NOT TO SCALE

WINDOW WALLS

Typical Details

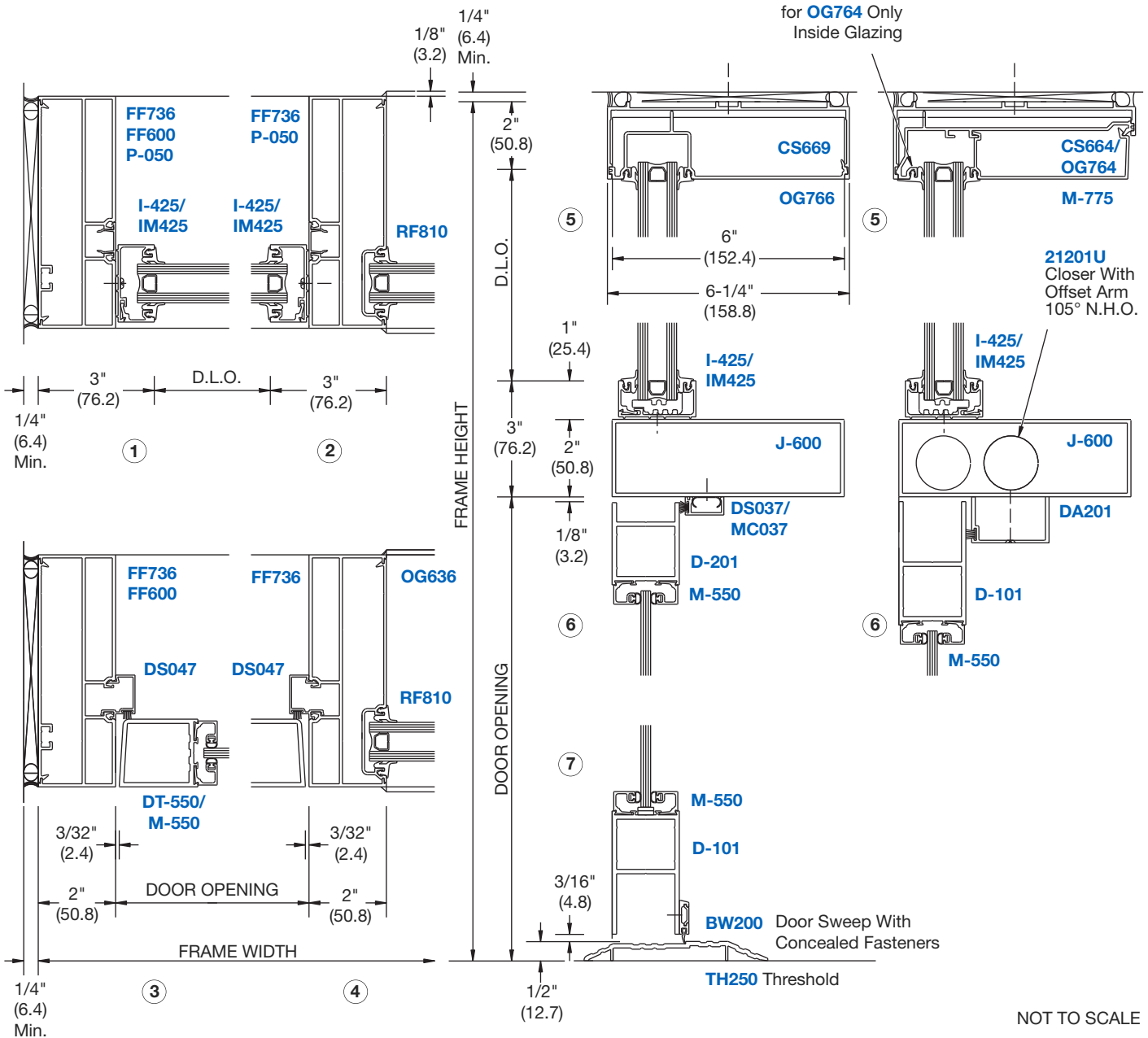
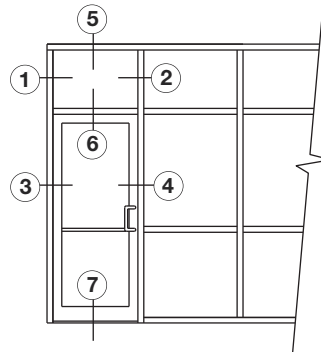
OS-2 Systems • Series OS601

DOOR FRAMING

NOTE: Doors are available in stock to accommodate 36" x 84" (914 x 2134) and 72" x 84" (1829 x 2134) door openings. Visit usalum.com for more information.

NOTE: NP225 Glazing Gaskets are used on both sides of glass, except at OG764 Head Insert. (Typical)

OFFSET HUNG DOORS



NOT TO SCALE

Online usalum.com By Phone (800) 262-5151
 Online crlaurence.com By Phone (800) 421-6144

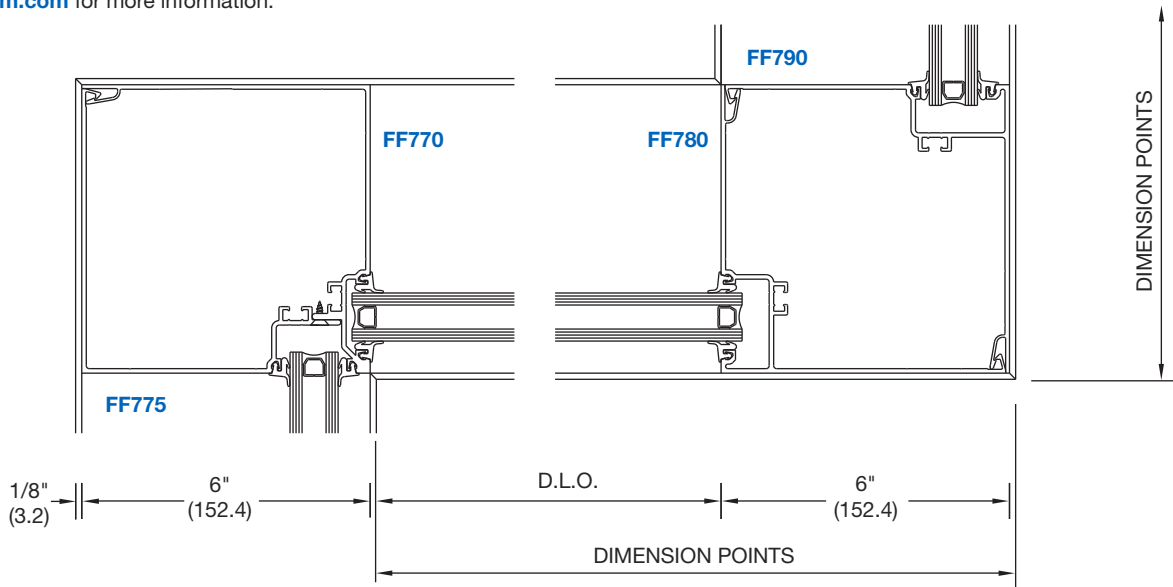
Typical Details

OS-2 Systems
 • Series OS601

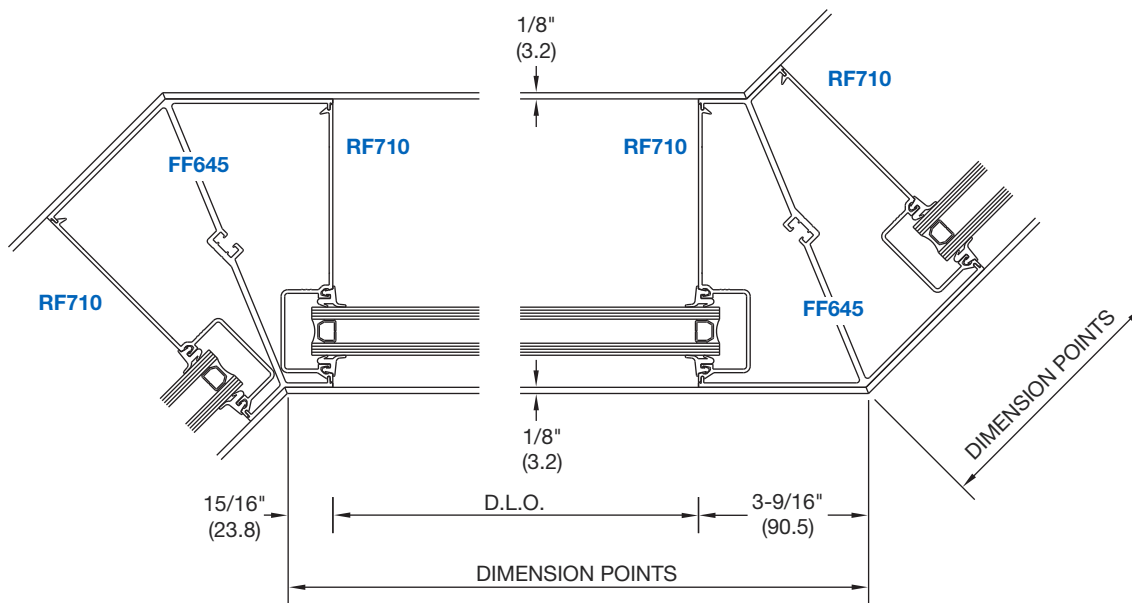
**VERTICAL CORNER CONDITIONS
 FOR 1" (25) GLAZING**

NOTE: Part numbers shown are available in 24' (7.3 m) stock lengths. Visit usalum.com for more information.

90 DEGREE CORNERS



135 DEGREE CORNERS



NOT TO SCALE

WINDOW WALLS

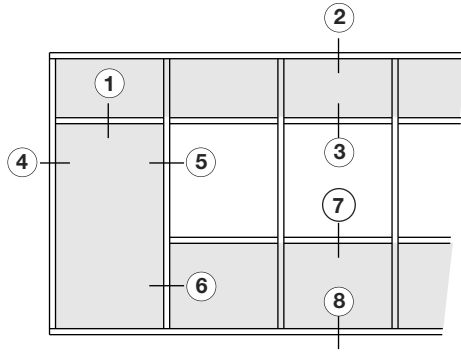
Typical Details

TRANSITION GLAZING FOR 1" (25) TO 1/4" (6) OR 3/8" (10) GLAZING

OS-2 Systems • Series OS601

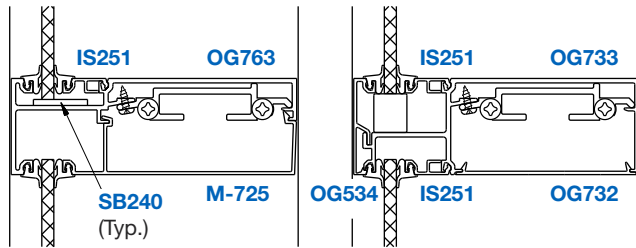
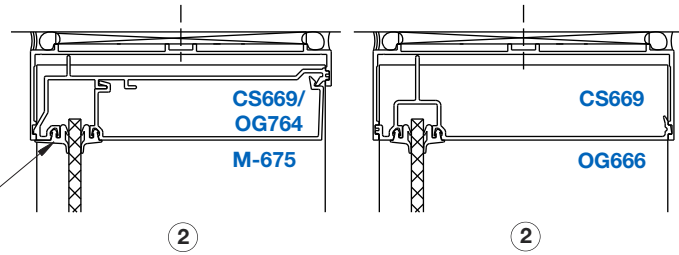
NOTE: Part numbers shown are available in 24' (7.3 m) stock lengths. Visit usalum.com for more information.

NOTE: NP225 Glazing Gaskets are used on both sides of glass, except at OG764 Head Insert. (Typical)



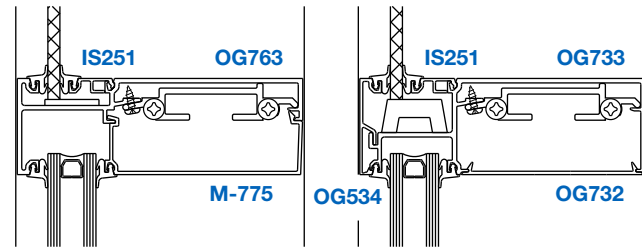
TYPICAL ELEVATION

NP142
Outside Gasket
for OG764 only



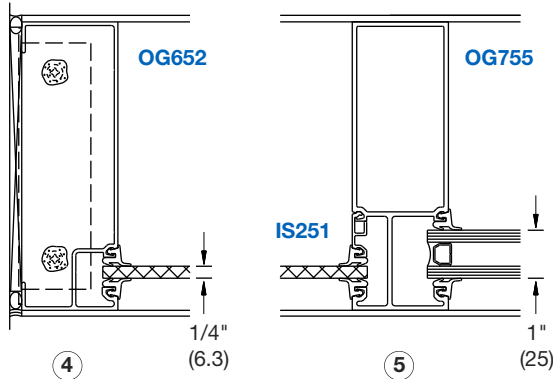
Interior Glazing

Exterior Glazing



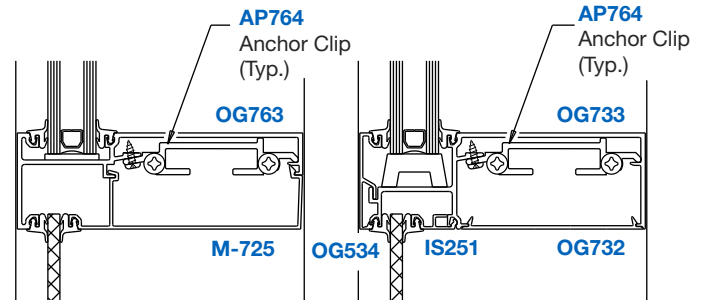
Interior Glazing

Exterior Glazing



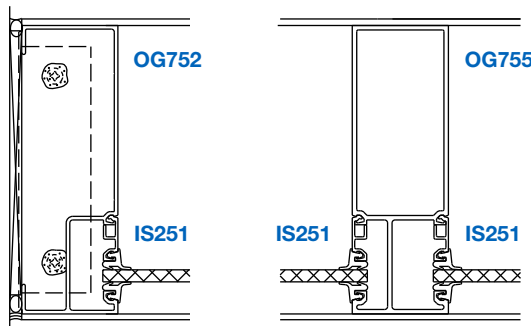
4

5



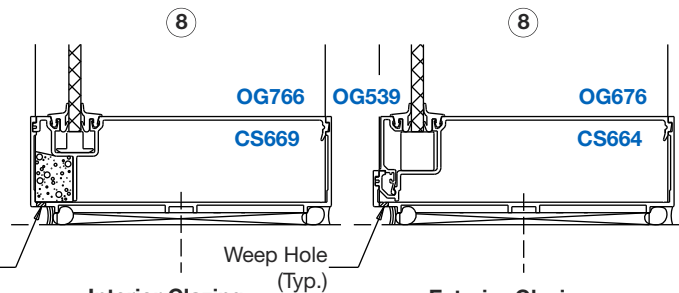
7

7



4 OPTIONAL

6



8

8

Weep Hole
(Typ.)

Weep Hole
(Typ.)

Interior Glazing

Exterior Glazing

NOT TO SCALE

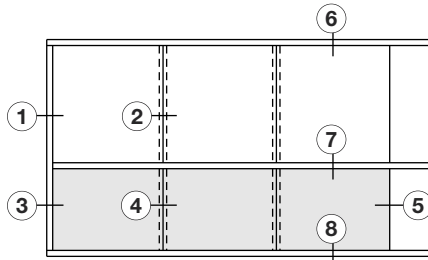
Online usalum.com By Phone (800) 262-5151
Online crlaurence.com By Phone (800) 421-6144

Typical Details

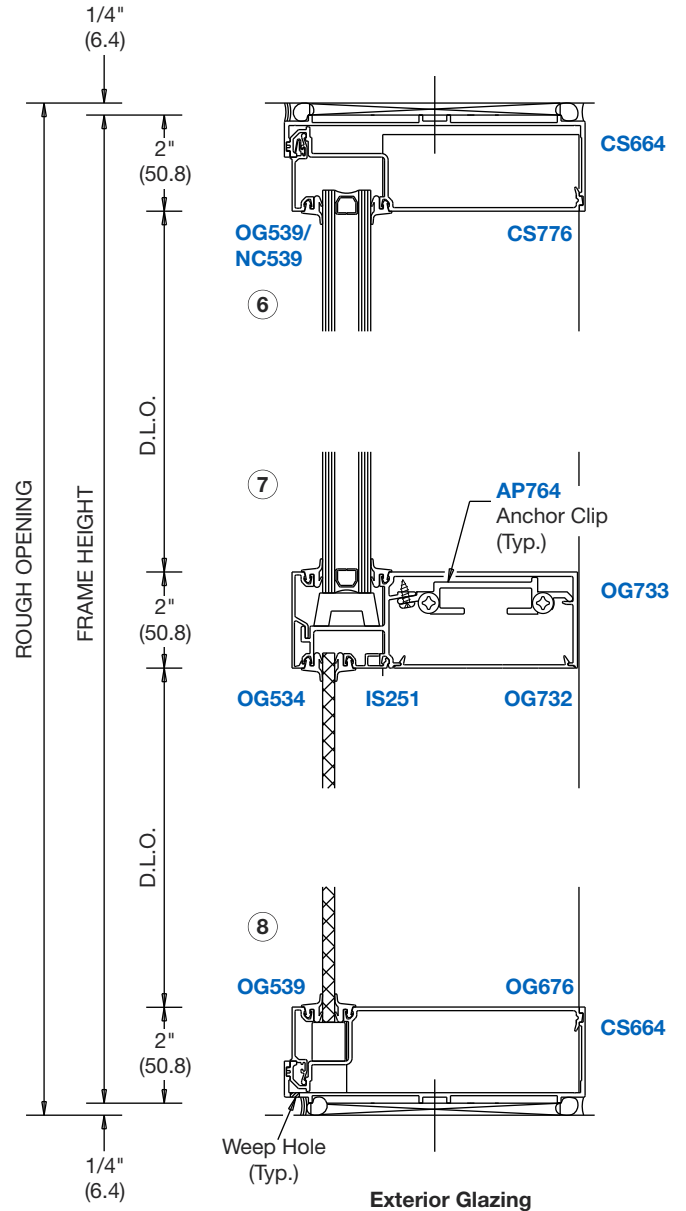
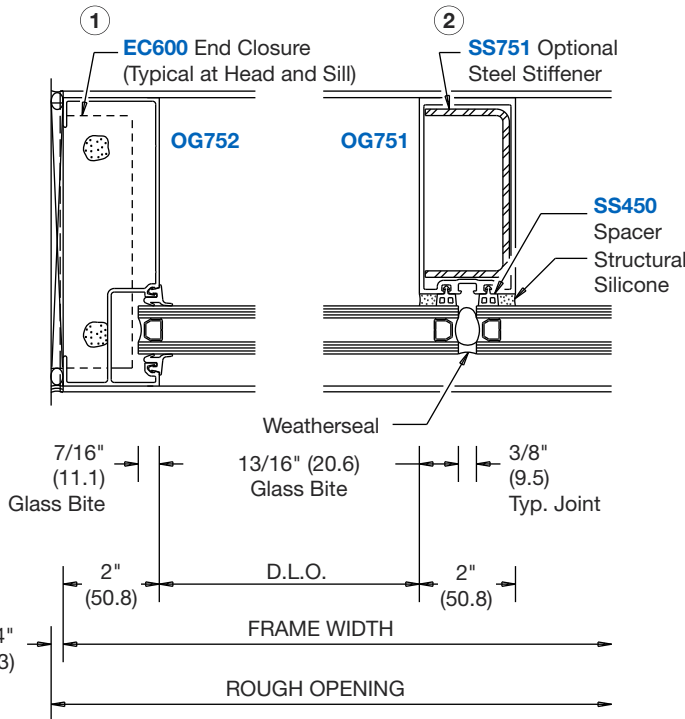
OS-2 Systems
• Series OS601SG

STRUCTURAL SILICONE GLAZING 1" (25) TO 1/4" (6) OR 3/8" (10) GLAZING

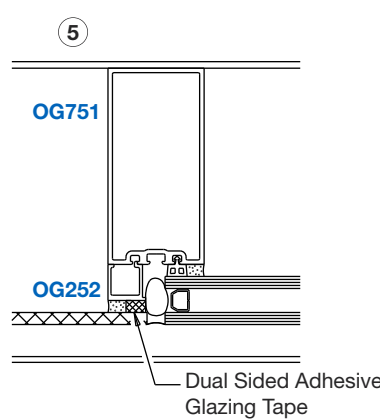
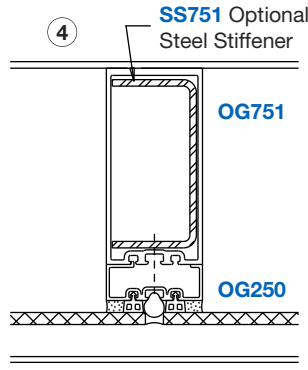
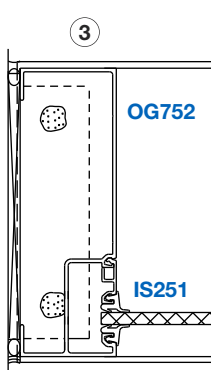
NOTE: Part numbers shown are available in 24' (7.3 m) stock lengths. Visit usalum.com for more information.



TYPICAL ELEVATION



Exterior Glazing



NOT TO SCALE

Online usalum.com By Phone (800) 262-5151
Online crlaurence.com By Phone (800) 421-6144

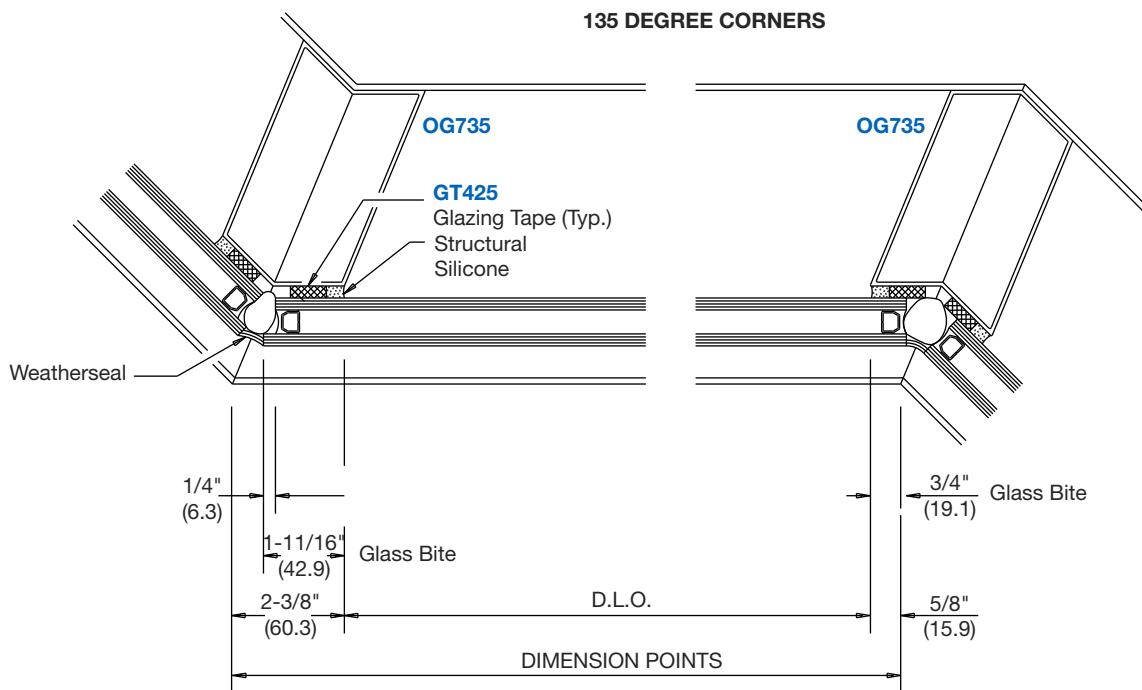
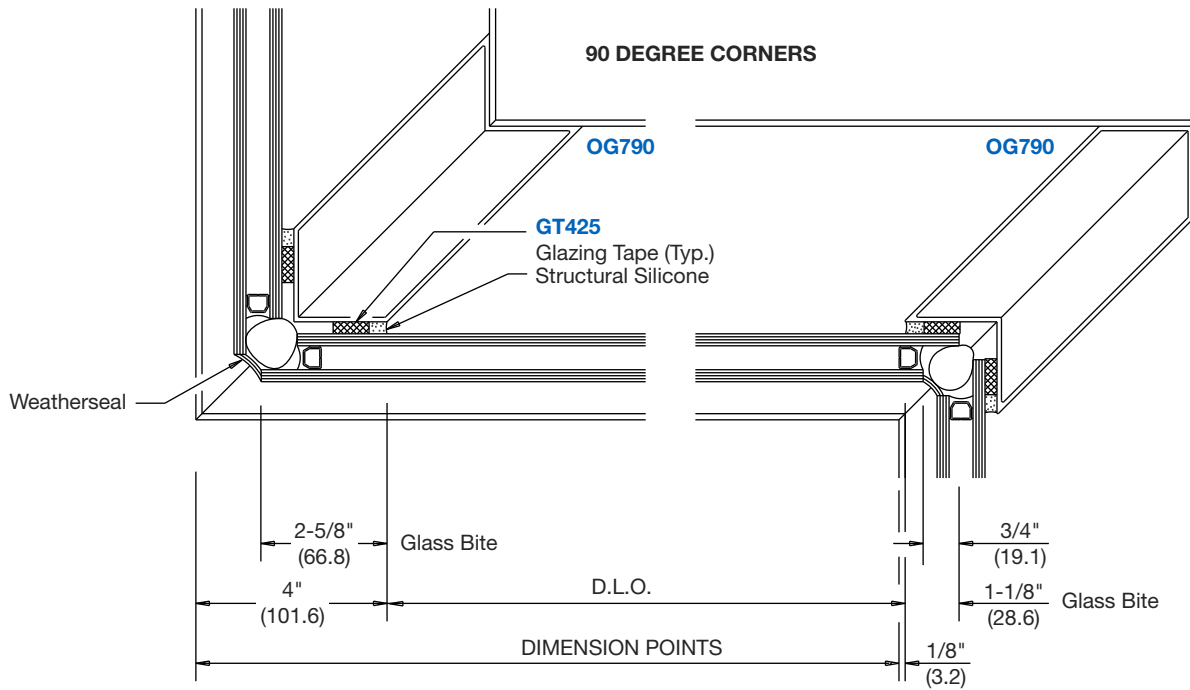
WINDOW WALLS

Typical Details

OS-2 Systems
• Series OS601SG

STRUCTURAL SILICONE GLAZING CORNER CONDITIONS FOR 1" (25) GLAZING

NOTE: Part numbers shown are available in 24' (7.3 m) stock lengths. Visit usalum.com for more information.



NOT TO SCALE

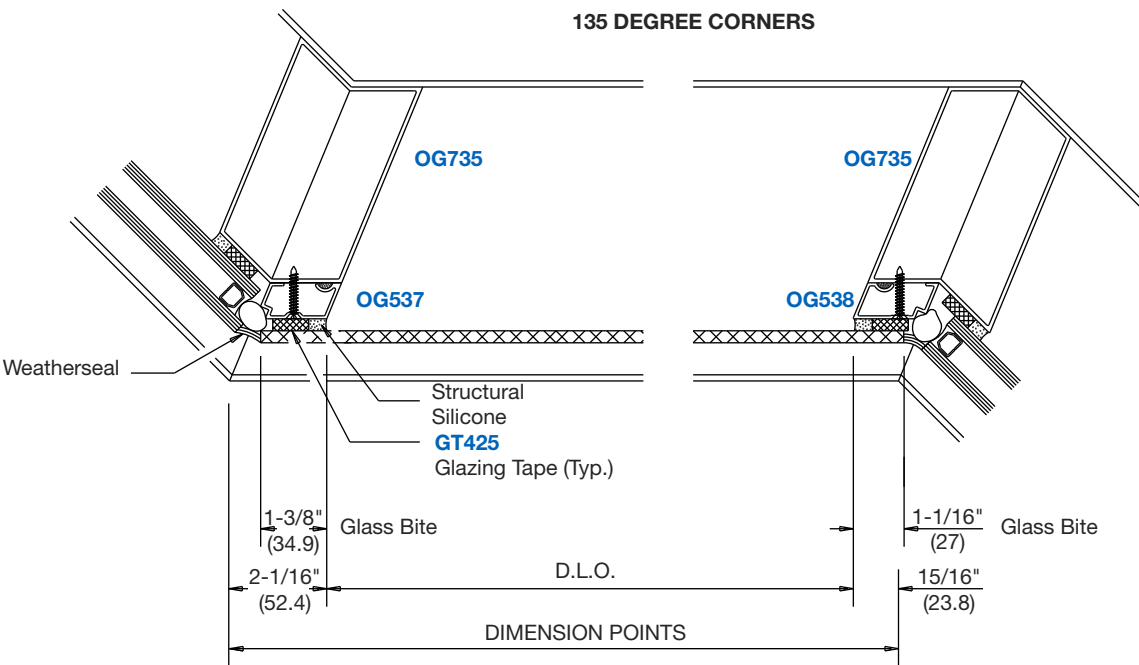
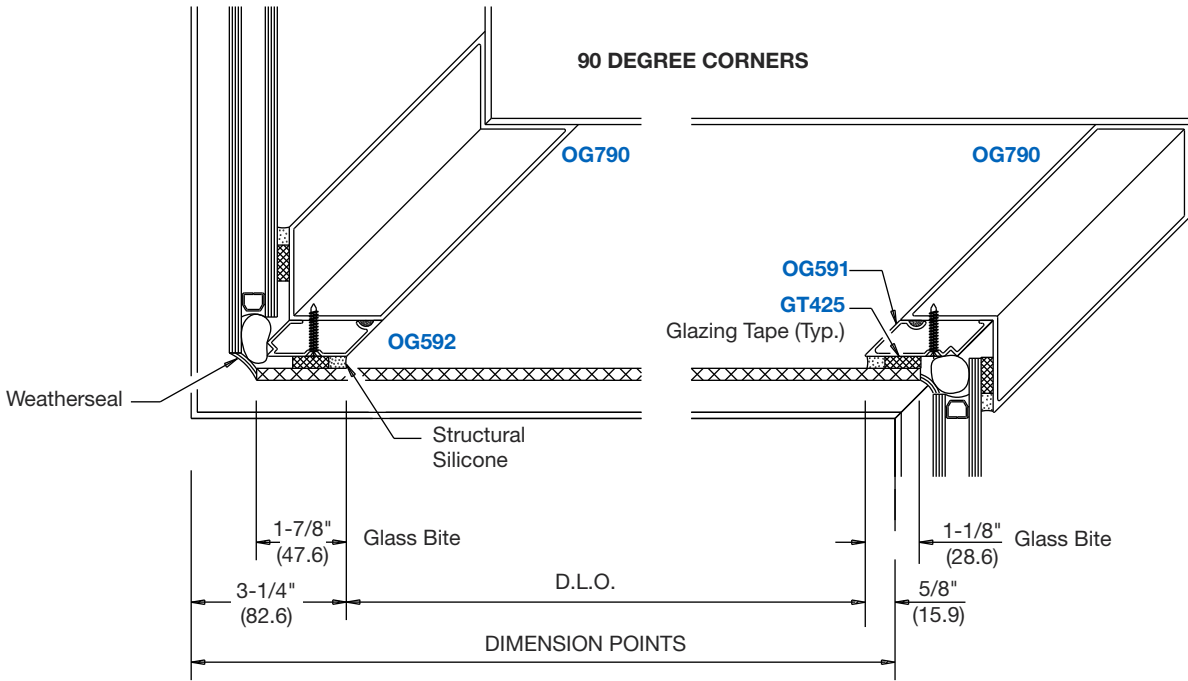
Online usalum.com By Phone (800) 262-5151
Online crlaurence.com By Phone (800) 421-6144

Typical Details

OS-2 Systems
 • Series OS601SG

**STRUCTURAL SILICONE GLAZING
 TRANSITION GLAZING - CORNER CONDITIONS
 FOR 1" (25) TO 1/4" (6) OR 3/8" (10) GLAZING**

NOTE: Part numbers shown are available in 24' (7.3 m) stock lengths. Visit usalum.com for more information.



NOT TO SCALE

Online usalum.com By Phone (800) 262-5151
 Online crlaurence.com By Phone (800) 421-6144

WINDOW WALLS

Windload Charts

FOR 1" (25) GLAZING

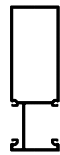
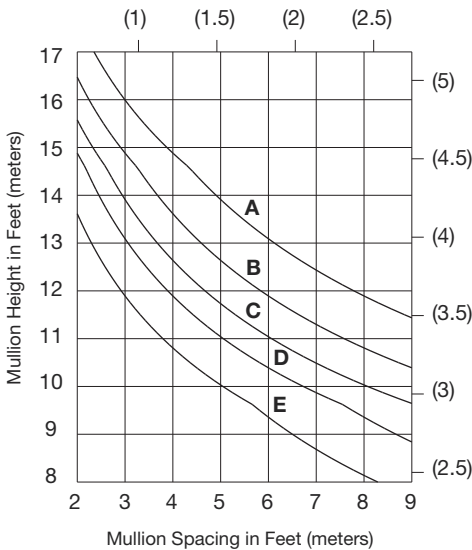
OS-2 Systems

- Series OS601
- Series OS601SG

Deflection criteria to be in accordance with AAMA TIR-A11 - L/175 or L/240 + 1/4" (6.4 mm) for spans greater than 13'-6" (4.1 m) but less than 40'-0" (12.2 m). Codes and specifications may vary. No single lite of glass shall deflect more than 3/4" (19 mm). Glass is not considered as contributing to resistance of deflection. Aluminum alloy 6063-T6 allowable stress for windload is 15,200 psi. (89 MPa), and steel reinforcing allowable stress for windload is 21,600 psi. (183 MPa).

These charts include unbraced length analysis and are based on at least one horizontal being placed at the midpoint of the span. For other applications, please contact U.S. Aluminum Technical Sales at (800) 262-5151, or visit our web site at usalum.com.

CAPTURED VERTICAL MULLIONS



OG755

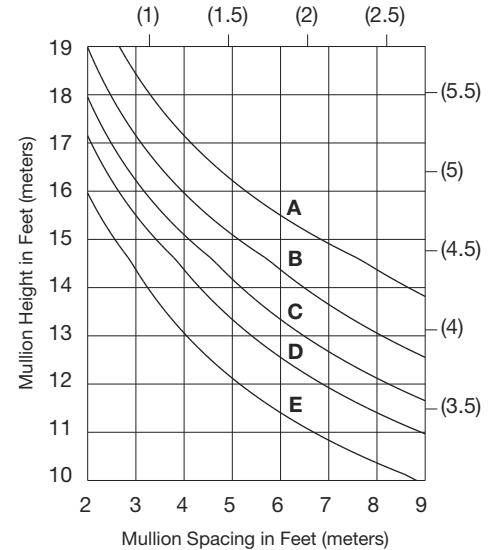


OG755
With **SS755**

OG755
I = 6.624 (275.71 x 10⁴)
S = 2.130 (34.90 x 10³)

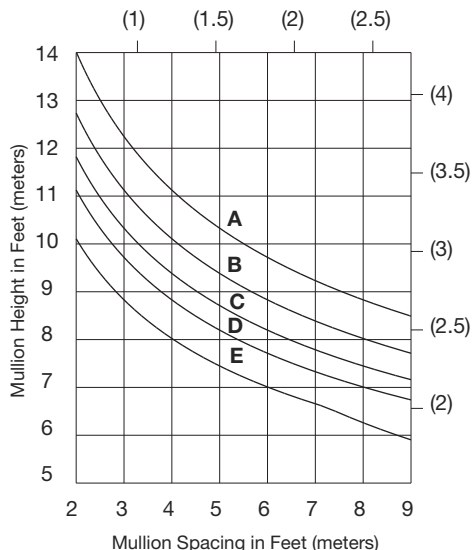
SS755 Steel Stiffener
I = 1.745 (72.63 x 10⁴)
S = .947 (15.52 x 10³)

I_{AL} + S_{TL} = 11.684
(486.33 x 10⁴)



Limitation of vertical mullions for:
 CURVES **A** = 15 PSF (718 Pa)
 CURVES **B** = 20 PSF (957 Pa)
 CURVES **C** = 25 PSF (1197 Pa)
 CURVES **D** = 30 PSF (1436 Pa)
 CURVES **E** = 40 PSF (1915 Pa)

STRUCTURAL GLAZED VERTICAL MULLIONS



OG751

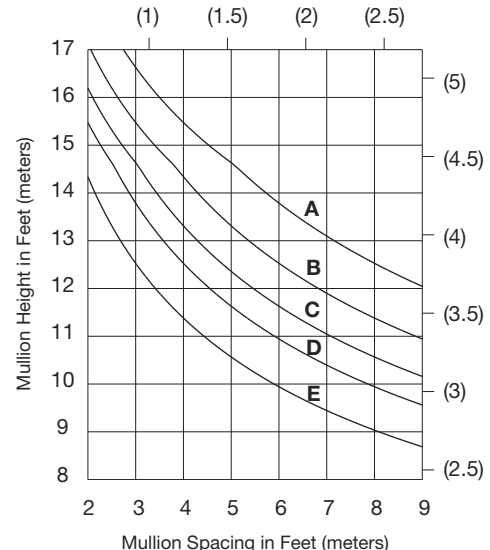


OG751
With **SS751**

OG751
I = 2.711 (112.84 x 10⁴)
S = 1.238 (20.29 x 10³)

SS751 Steel Stiffener
I = 1.641 (68.30 x 10⁴)
S = .938 (15.37 x 10³)

I_{AL} + S_{TL} = 7.740
(310.92 x 10⁴)



NOTE: See page 50-C3 for Structural Silicone Chart

Windload Charts

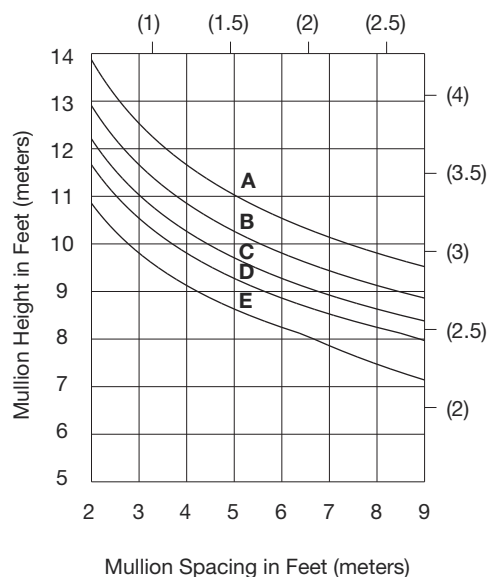
OS-2 Systems

- Series OS601
- Series OS601SG

VERTICAL MULLIONS FOR 1" (25) GLAZING

Deflection criteria to be in accordance with AAMA TIR-A11 - L/175 or L/240 + 1/4" (6.4 mm) for spans greater than 13'-6" (4.1 m) but less than 40'-0" (12.2 m). Codes and specifications may vary. No single lite of glass shall deflect more than 3/4" (19 mm). Glass is not considered as contributing to resistance of deflection. Aluminum alloy 6063-T6 allowable stress for windload is 15,200 psi. (89 MPa), and steel reinforcing allowable stress for windload is 21,600 psi. (183 MPa).

These charts include unbraced length analysis and are based on at least one horizontal being placed at the midpoint of the span. For other applications, please contact U.S. Aluminum Technical Sales at (800) 262-5151, or visit our web site at usalum.com.

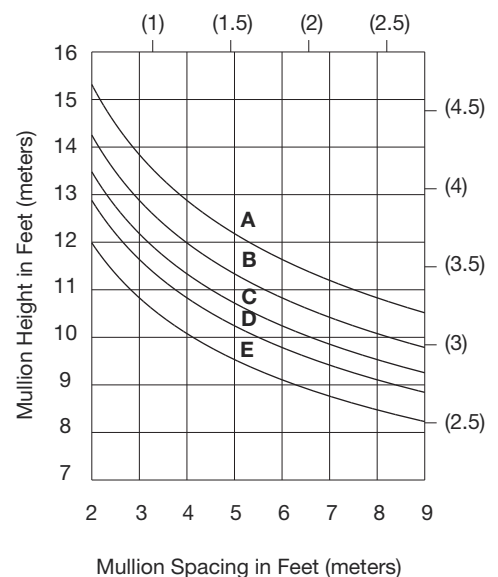


FT760/FT769
FF760/FF769

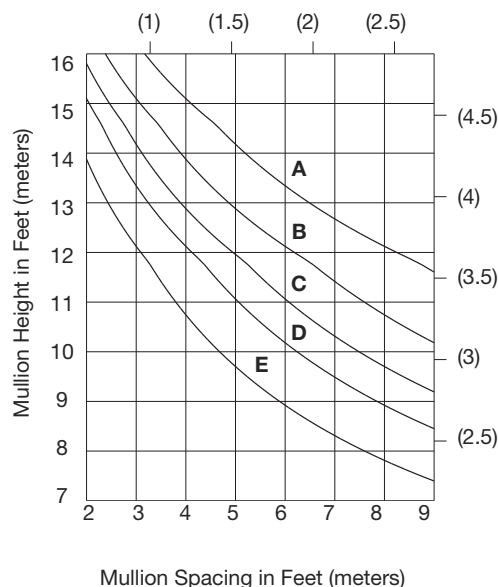
FF760/FF769
I = 8.346 (347.39 x 10⁴)
S = 2.587 (42.39 x 10³)

SS769 Steel Stiffener
I = 1.403 (58.40 x 10⁴)
S = .802 (13.14 x 10³)

IAL + STL = 12.415
(516.74 x 10⁴)



Limitation of vertical mullions for:
 CURVES A = 15 PSF (718 Pa)
 CURVES B = 20 PSF (957 Pa)
 CURVES C = 25 PSF (1197 Pa)
 CURVES D = 30 PSF (1436 Pa)

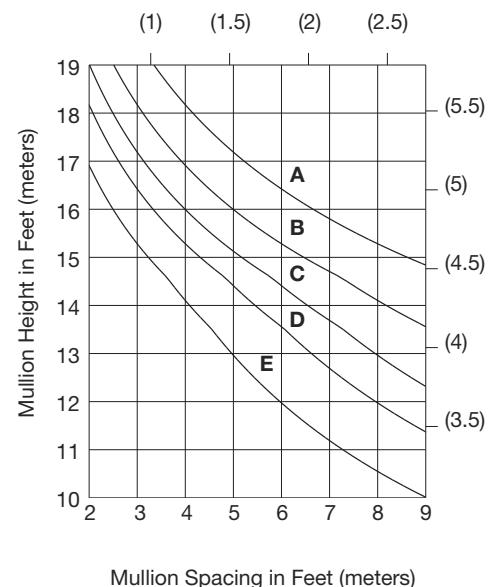


FF736/RX810
FF736/RF810
with 1/4" x 5" Steel

FF736/RF810
I = 7.175 (298.65 x 10⁴)
S = 2.364 (38.74 x 10³)

1/4" x 5" Steel Bar
I = 2.604 (108.39 x 10⁴)
S = 1.302 (21.34 x 10³)

IAL + STL = 14.727
(620.81 x 10⁴)



WINDOW WALLS

Deadload Charts

OS-2 Systems
 • Series OS601
 • Series OS601SG

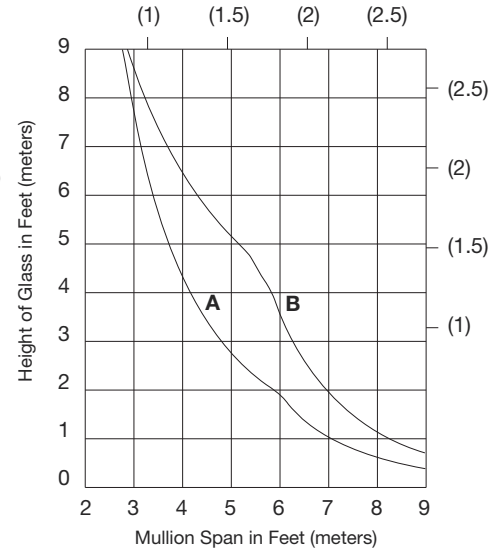
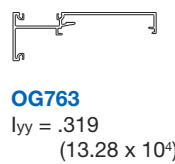
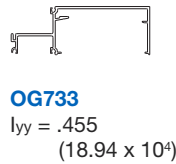
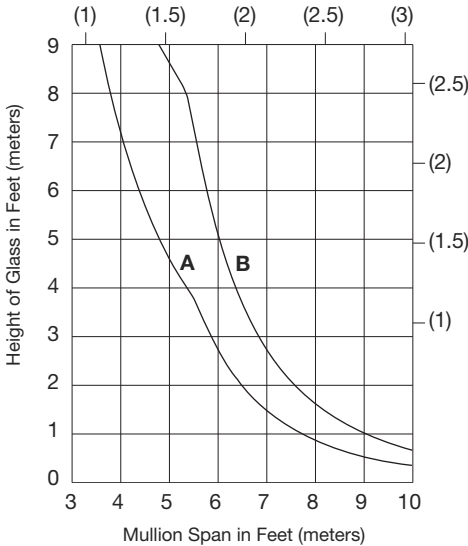
INTERMEDIATE HORIZONTAL MULLIONS FOR 1" (25) GLAZING

Deadload charts are based on 1/8" (3.2) maximum allowable deflection at the center point of the horizontal mullion and on a glass weight of 6.5 p.s.f. (31.74 Kg/m²) for 1" (25) glass.

Glass shall rest on two setting blocks located at:

CURVES A: 1/4 points

CURVES B: 1/8 points or 8" (203.2) from corners, whichever is larger



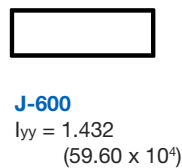
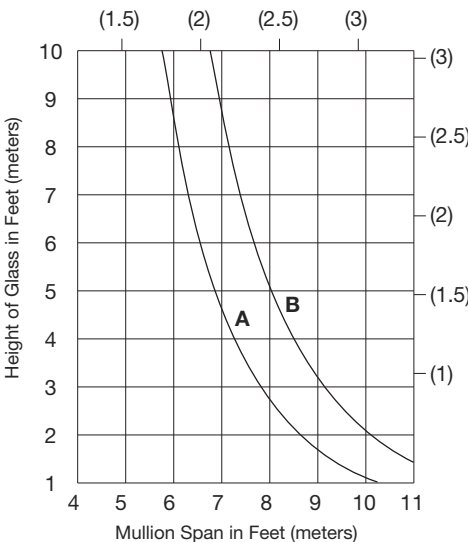
DOOR HEADER

Deadload charts are based on 1/16" (1.6) maximum allowable deflection at the center point of the horizontal mullion and on a glass weight of 6.5 p.s.f. (31.74 Kg/m²) for 1" (25) glass.

Glass shall rest on two setting blocks located at:

CURVES A: 1/4 points

CURVES B: 1/8 points or 8" (203.2) from corners, whichever is larger



WINDOW WALLS

Structural Silicone Charts

OS-2 Systems

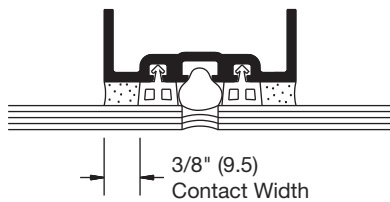
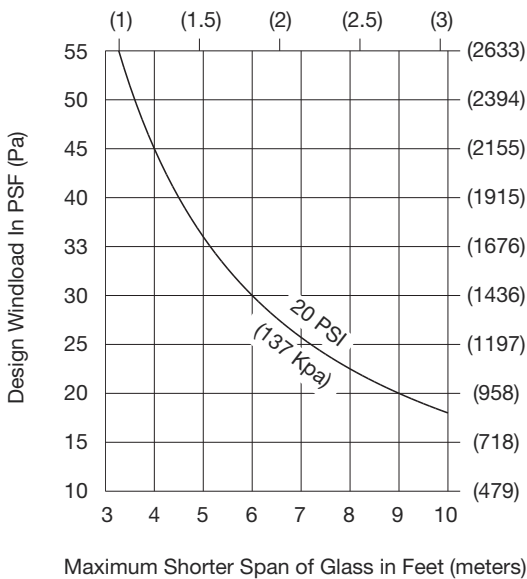
- Series OS175SG
- Series OS450SG
- Series OS451SG
- Series OS600SG
- Series OS601SG

For structural silicone glazing, the stress on the silicone must not exceed 20 psi (137 Kpa) for a 6:1 safety factor.

Series OS175SG, OS450SG, OS451SG, OG600SG, and OS601SG offer contact width of 3/8" (9.5).

NOTE: The maximum shorter span of glass may be the width or the height dimension.
 EG. for 5' x 7' (1.52 m x 2.13 m) check 5' (1.52 m)
 for 7' x 5' (2.13 m x 1.52 m) check 5' (1.52 m)

THESE LIMITATIONS ARE RELATED ONLY TO THE SILICONE JOINT CAPABILITY.
 ALUMINUM MEMBERS SHOULD ALSO BE CHECKED FOR WINDLOAD AND DEADLOAD.



Project: Corporate Center, Las Vegas, NV

WINDOW WALLS

Accessories

CRL 95C SILICONE BUILDING SEALANT

- **Excellent Primerless Adhesion to Most Common Construction Substrates**
- **± 50% Joint Width Movement**
- **AAMA Approved**
- **Approved for the Florida Hurricane Impact Glazing Code**
- **20 Year Limited Warranty**

Get Spec. Data for all Sealants at crlaurence.com



10.3 Fl. Oz. (305 ml);
30 Cartridges Per Case;
1440 Cartridges Per Pallet

CRL 95C Silicone is a one-part, medium modulus, neutral cure, 100% silicone formulation that cures to a durable and flexible silicone rubber building joint seal. It can accommodate ± 50% joint movement in properly designed joints.

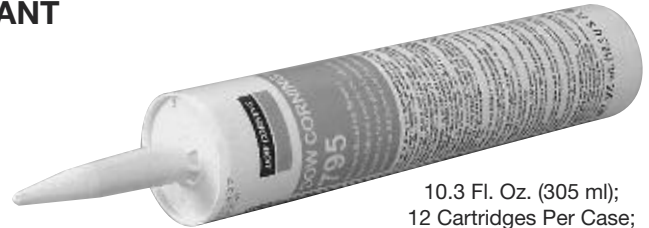
NOTE: CRL 95C should not be used for structural glazing; sealing horizontal decks, patios, driveways or terrace joints where abrasion or physical abuse is encountered; sealing submerged joints; or for exterior or interior sealing below the waterline in marine applications.

PART NO.	COLOR
95CBL	Black
95CDBRZ	Dark Bronze
95CGRY	Gray
95CL	Limestone
95CW	Precast White
95CWHT	White

Minimum order: 1 each. All cartridge sealants can be combined for quantity pricing.

DOW CORNING® 795 SILICONE BUILDING SEALANT

- **± 50% Joint Width Movement**
- **Medium Modulus Building Sealant for Expansion Joints**
- **Structural and Non-Structural Glazing of Glass, Metals, and Plastics**



10.3 Fl. Oz. (305 ml);
12 Cartridges Per Case;
1296 Cartridges Per Pallet

Dow Corning® 795 is a one-part, medium modulus, neutral cure silicone formulation. Dow Corning® 795 cures to a durable and flexible silicone rubber building joint seal, and can accommodate ± 50% joint movement in a properly designed joint.

NOTE: Should not be applied to building materials that bleed oils, plasticizers or solvents, or in totally confined spaces. Do not apply to frost-laden or wet surfaces, or to surfaces that are in direct contact with food. Check cartridge label and Specification Data Sheet for additional limitations.

PART NO.	COLOR
795BL	Black
795BRZ	Bronze
795GRY	Gray
795L	Limestone
795W	White

Minimum order: 1 each. All cartridge sealants can be combined for quantity pricing.

DOW CORNING® 995 SILICONE STRUCTURAL ADHESIVE

- **Designed Specifically for Structural and Protective Glazing**
- **Self-Priming to Most Common Building Substrates, Including Most Fluoropolymer-Based Paints**



10.3 Fl. Oz. (305 ml);
12 Cartridges Per Case;
1296 Cartridges Per Pallet

Dow Corning® 995 is a one-component, self-priming, shelf stable, neutral cure, elastomeric adhesive specifically formulated for silicone structural glazing.

NOTE: Structural glazing applications for Dow Corning® 995 must be reviewed by the Technical Service staff, Dow Corning Corporation, Construction Sealants Technical Service and Development. Check cartridge label and Specification Data Sheet for additional limitations.

PART NO.	COLOR
995BL	Black
995W	White

Minimum order: 1 each. All cartridge sealants can be combined for quantity pricing.

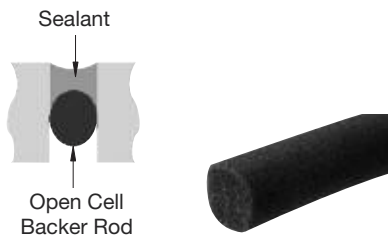
Online usalum.com By Phone (800) 262-5151
Online crlaurence.com By Phone (800) 421-6144

WINDOW WALLS

Accessories

OPEN CELL BACKER ROD

- Controls Depth of Sealant and Acts as a Bond Breaker
- Has No Skin, So It's Non-Gassing
- Soft So it Compresses Easily



Open Cell Backer Rod is a soft, round, and easily compressible open cell polyurethane foam. Dynamic joint movement does not adversely affect Open Cell Backer Rod, and its inherent flexibility applies itself to joint variations very easily.

Backer Rods



Part No. SBRR
Roller Tool will not tear "skin" of Backer Rod.

100 FOOT (30.5 M) ROLLS

PART NO.	ROD DIAMETER	ROLL LENGTH
B0CBR58C	5/8" (16)	100' (30.5 m)
B0CBR78C	7/8" (22)	100' (30.5 m)
B0CBR118C	1-1/8" (28)	100' (30.5 m)
B0CBR112C	1-1/2" (38)	100' (30.5 m)

Minimum order: 1 case. Sizes can be combined for quantity pricing.

BULK CASES

PART NO.	ROD DIAMETER	QTY/CASE
B0CBR58	5/8" (16)	1400' (426 m)
B0CBR78	7/8" (22)	900' (274 m)
B0CBR118	1-1/8" (28)	350' (107 m)
B0CBR112	1-1/2" (38)	200' (61 m)
B0CBR2	2" (51)	100' (30.5 m)

Minimum order: 1 case. Sizes can be combined for quantity pricing.

CLOSED CELL BACKER ROD

- Compatible With All Cold-Applied Sealants
- Available in Nine Widths

Closed Cell Backer Rod is a round, flexible, closed cell polyethylene foam with an exterior "skin" used as a backing and thickness control device for elastomeric and other cold-applied sealants.



100 FOOT (30.5 M) ROLLS

PART NO.	ROD DIAMETER	ROLL LENGTH
EF14C	1/4" (6)	100' (30.5 m)
EF38C	3/8" (10)	100' (30.5 m)
EF12C	1/2" (12)	100' (30.5 m)
EF58C	5/8" (16)	100' (30.5 m)
EF34C	3/4" (19)	100' (30.5 m)
EF1C	1" (25)	100' (30.5 m)
EF114C	1-1/4" (32)	100' (30.5 m)
EF112C*	1-1/2" (38)	102' (31.1 m)
EF2C*	2" (51)	102' (31.1 m)

Minimum order: 1 roll. Sizes can be combined for quantity pricing.
* This size is shipped in 84" (2.13 m) cut lengths.

BULK CASES

PART NO.	ROD DIAMETER	QTY/CASE
EF14B	1/4" (6)	6400' (1951 m)
EF38B	3/8" (10)	3600' (1097 m)
EF12B	1/2" (12)	2500' (762 m)
EF58B	5/8" (16)	1550' (472 m)
EF34B	3/4" (19)	1100' (335 m)
EF1B	1" (25)	550' (167 m)
EF114B	1-1/4" (32)	400' (122 m)
EF112B*	1-1/2" (38)	552' (168 m)
EF2B*	2" (51)	360' (110 m)

Minimum order: 1 roll. Sizes can be combined for quantity pricing.
* This size is shipped in 84" (2.13 m) cut lengths.



Part No. T607CU605
Backer Rod Insert Tool Set. Helpful for proper installation.

SOF® ROD

- Non-Gassing if Damaged
- No Moisture Absorption

Sof® Rod is a state-of-the-art sealant backing material combining the best properties of both open and closed cell backer rods in a single, trouble-free product. Sof® Rod is a continuous length of extruded polyolefin foam made with a non-absorbent outer skin and a highly resilient interior network of open and closed cells. Sof® Rod will not out-gas if ruptured.

100 FOOT (30.5 M) ROLLS

PART NO.	ROD DIAMETER	ROLL LENGTH
SR38C	3/8" (10)	100' (30.5 m)
SR58C	5/8" (16)	100' (30.5 m)
SR78C	7/8" (22)	100' (30.5 m)
SR118C	1-1/8" (28)	100' (30.5 m)
SR112C**	1-1/2" (38)	102' (31.1 m)
SR2C**	2" (51)	102' (31.1 m)

Minimum order: 1 roll. **Minimum order: 1 box of seventeen 6-foot lengths. Sizes can be combined for quantity pricing.

BULK CASES

PART NO.	ROD DIAMETER	QTY/CASE
SR38B	3/8" (10)	3600' (1097 m)
SR58B	5/8" (16)	1550' (472 m)
SR78B	7/8" (22)	850' (259 m)
SR118B	1-1/8" (28)	500' (152 m)
SR112B*	1-1/2" (38)	552' (167 m)
SR2B*	2" (51)	360' (110 m)

Minimum order: 1 roll. *Minimum order: 1 box of 6-foot lengths. Sizes can be combined for quantity pricing.



WINDOW WALLS

Accessories

Glazing Gaskets

GLAZING GASKET CHART FOR WINDOW WALL PRODUCTS

SYSTEM SERIES	GLASS THICKNESS	OUTSIDE GLAZING		INSIDE GLAZING		POCKET WIDTH	ADAPTOR
		EXTERIOR	INTERIOR	EXTERIOR	INTERIOR		
OS175 OS450 OS600	1/4" (6)	NP225	NP225	NP225	NP225	5/8" (15.9)	
OS451 OS601	1" (25)			NP142 at Head Only		1-3/8" (34.9)	
	1/4" (6)					5/8" (15.9)	IS251
OS175SG OS450SG OS600SG	1/4" (6)	Structural Silicone Weatherseal	SP450 and Silicone				
OS451SG OS601SG	1" (25)						
BG450	1/4" (6)	NP225	NP225	NP225	NP225	5/8" (15.9)	
BG525 BT525	1" (25)					1-3/8" (34.9)	
BG450	1/4" (6)	Structural Silicone Weatherseal	SP450 and Silicone	Structural Silicone Weatherseal	SP450 and Silicone		
BG525 BT525	1" (25)						
BG520	1/4" (6)	NP225	NP225	NP225	NP225	5/8" (15.9)	
BG600 BT600	1" (25)					1-3/8" (34.9)	
BG520	1/4" (6)	Structural Silicone Weatherseal	SP450 and Silicone	Structural Silicone Weatherseal	SP450 and Silicone		
BG600 BT600	1" (25)						



PART NO.	COLOR	TYPE	ROLL LENGTH
NP225	Black	Interior/ Exterior	500' (152.4 m)

Minimum order: 1 roll.



PART NO.	COLOR	TYPE	ROLL LENGTH
SP450	Black	Spacer Structural Glaze	500' (152.4 m)

Minimum order: 1 roll.



PART NO.	COLOR	TYPE	ROLL LENGTH
NP142	Black	Exterior For OG564	200' (61 m)

Minimum order: 1 roll.

Adjustable Multi-Cutter Tool

- Makes Precise Straight or Miter Cuts
- Adjustable Angle Guide Block

The Adjustable Multi-Cutter is great for cutting glazing vinyl and channel, rubber gaskets, PVC strips, trim molding, and weatherstrip. Simply adjust the guide with the desired angle line on the tool's platform and you have a perfect miter cut every time. Platform is marked at 135, 120, 105, 90, 75, 60, and 45 degrees. The Multi-Cutter is made of high quality steel with vinyl handgrips for comfort when cutting. Includes one blade.



PART NO. MC80N

Online usalum.com By Phone (800) 262-5151
Online crlaurence.com By Phone (800) 421-6144

WINDOW WALLS

Accessories

All OS-2 Systems

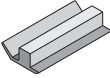
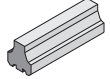
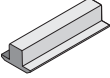
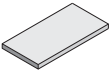
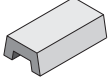

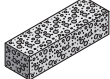


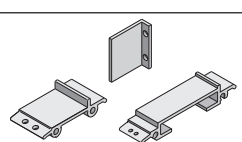
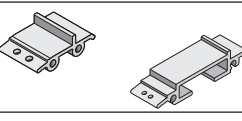
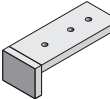
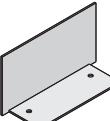
NOTE: Clips for 4-1/2" (114.3) Members at 90° Corners are Shown.
Clips for 6" (152.4) Members at 90° Corners are Cut Similarly.

PART NO.	DETAIL/DESCRIPTION	PKG. QTY.	WHERE USED		PART NO.	DETAIL/DESCRIPTION	PKG. QTY.	WHERE USED	
			OS450SG	OS600SG				OS451SG	OS601SG
AP406L		4	●		AP506L		4	●	
AP606L	Left Anchor Clip Inside Corner 90° with Screws	4		●	AP706L	Left Anchor Clip Inside Corner 90° with Screws	4		●
AP406R		4	●		AP506R		4	●	
AP606R	Right Anchor Clip Inside Corner 90° with Screws	4		●	AP706R	Right Anchor Clip Inside Corner 90° with Screws	4		●
AP407L		4	●		AP507L		4	●	
AP607L	Left Anchor Clip Outside Corner 90° with Screws	4		●	AP707L	Left Anchor Clip Outside Corner 90° with Screws	4		●
AP407R		4	●		AP507R		4	●	
AP607R	Right Anchor Clip Outside Corner 90° with Screws	4		●	AP707R	Right Anchor Clip Outside Corner 90° with Screws	4		●
AP408L		4	●		AP508L		4	●	
AP608L	Left Anchor Clip Inside Corner 135° with Screws	4		●	AP708L	Left Anchor Clip Inside Corner 135° with Screws	4		●
AP408R		4	●		AP508R		4	●	
AP608R	Right Anchor Clip Inside Corner 135° with Screws	4		●	AP708R	Right Anchor Clip Inside Corner 135° with Screws	4		●
AP409L		4	●		AP509L		4	●	
AP609L	Left Anchor Clip Outside Corner 135° with Screws	4		●	AP709L	Left Anchor Clip Outside Corner 135° with Screws	4		●
AP409R		4	●		AP509R		4	●	
AP609R	Right Anchor Clip Outside Corner 135° with Screws	4		●	AP709R	Right Anchor Clip Outside Corner 135° with Screws	4		●
WD190	 Water Deflector Use Two Per Corner	8	●	●	WD290	 Water Deflector Use Two Per Corner	8	●	●

WINDOW WALLS

Accessories

All OS-2 Systems

PART NO.	DETAIL	DESCRIPTION	PKG. QTY.	WHERE USED										
				OS175	OS175SG	OS450	OS450SG	OS451	OS451SG	OS600	OS600SG	OS601	OS601SG	
SB141		Setting Block for Interior Glazing	100			●					●			
SB142		Setting Block for Exterior Glazing	100	●	●	●	●				●	●		
SB100		Setting Block for Interior Glazing. Use at Sill Only	100			●					●			
SB240		Setting Block for Interior Glazing	100					●				●		
SB230		Setting Block for Exterior Glazing	100					●	●			●	●	
UB335		Urethane Baffle for Interior Glazing Sill	100			●					●			
UB635		Urethane Baffle for Interior Glazing	100					●				●		
WB555		"W" Edge Block. Use at OG555 and OG755 Deep Pocket Only	50					●				●		
WB452		"W" Edge Block	50	●		●		●			●		●	
AP213		Anchor Clip	20	●	●									
AP463			20			●	●							
AP664			20								●	●		
AP563		Anchor Clip	20					●	●					
AP764			20									●	●	
DJ210		Drill Jig	1			●	●	●	●					
DJ650			1								●	●	●	●
EC175		End Dam	20	●	●									
EC450			20			●	●	●	●					
EC600			20								●	●	●	●

WINDOW WALLS

Accessories

All OS-2 Systems

PART NO.	DETAIL	DESCRIPTION	PKG. QTY.	WHERE USED									
				OS175	OS175SG	OS450	OS450SG	OS451	OS451SG	OS600	OS600SG	OS601	OS601SG
EC539		Splice End Cap for OG539	10		●		●		●		●		●
SV268	 SV268 SV568 SV668	Splice Sleeve for CS268	10	●									
SV568		Splice Sleeve for CS568	10			●		●					
SV668		Splice Sleeve for CS668	10							●		●	
SV264	 SV264 SV563 SV664	Splice Sleeve for CS264	10	●	●								
SV563		Splice Sleeve for CS563	10			●	●	●	●				
SV664		Splice Sleeve for CS664	10							●	●	●	●
WD160		Water Deflector for Shallow Pocket	50			●				●			
WD150		Water Deflector for Deep Pocket	50	●		●				●			
WD210		Water Deflector for Shallow Pocket	50					●				●	
WD200		Water Deflector for Deep Pocket	50					●				●	
WD270		Water Deflector for Deep Pocket. Use at OG555 and OG755 Only	50					●				●	
WD180		Water Deflector for OG451 and OG651	50				●				●		
WD280		Water Deflector for OG551 and OG751	50						●				●
RG700	 Patent No. D295,952	Twist-In Temporary Retainer for Structural Silicone Glazing	50		●		●		●		●		●

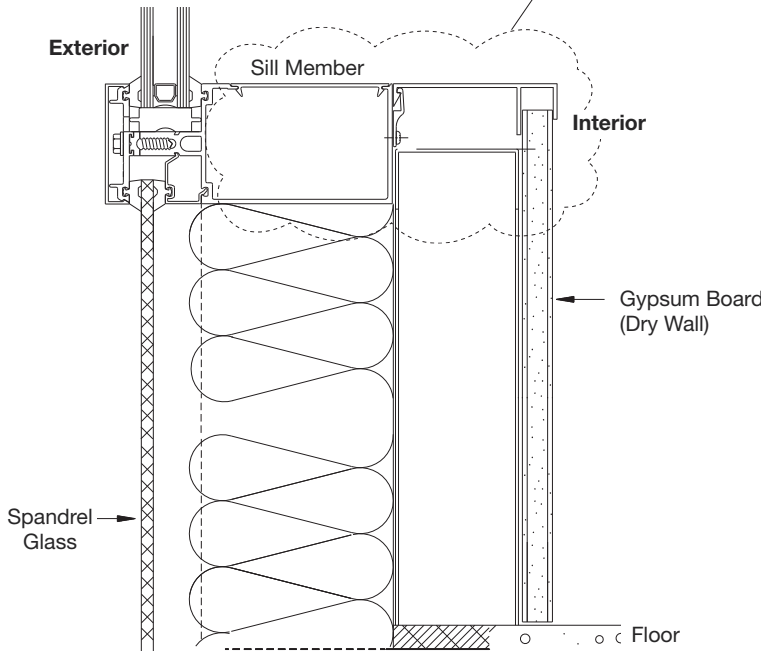
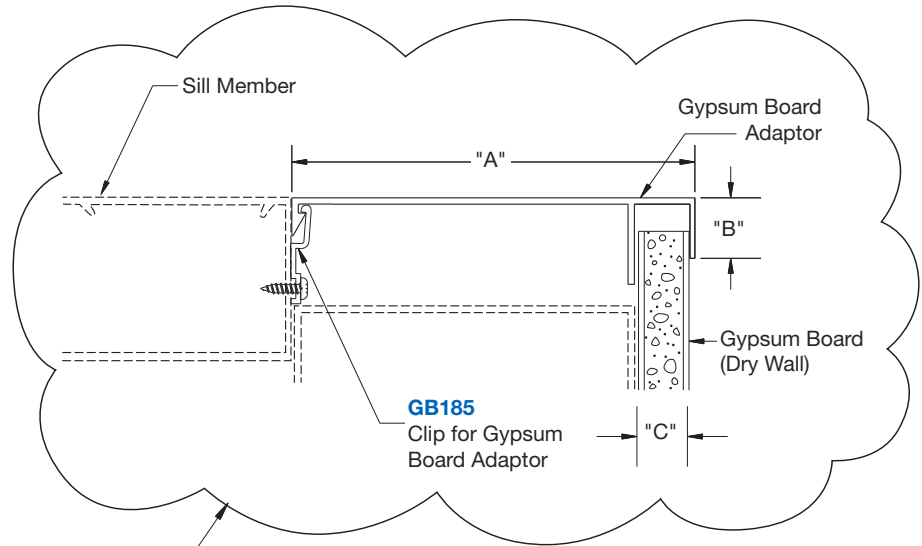
WINDOW WALLS

Typical Details

Miscellaneous Framing

GYPSUM BOARD ADAPTORS

Gypsum Board Adaptors provide a sill member featuring clip joinery, providing clean joints to curtain walls, storefronts, and other systems. Adaptors are available in an assortment of finishes, sizes, and shapes to adapt to many gypsum board (dry wall) conditions. Visit usalum.com for more information.



NOTE: Part numbers shown are available in 24' (7.3 m) stock lengths. Custom extrusions also available. Visit usalum.com for more information.

NOT TO SCALE

PART NO.	DIMENSION "A"	DIMENSION "B"	DIMENSION "C"
GB210	2" (50.8)	3/4" (19.1)	5/8" (15.9)
GB300	3" (76.2)	3/4" (19.1)	5/8" (15.9)
GB350	3-1/2" (88.9)	3/4" (19.1)	5/8" (15.9)
GB425	4-1/4" (108)	3/4" (19.1)	5/8" (15.9)
GB500	5" (127)	3/4" (19.1)	5/8" (15.9)
GB750	7-1/2" (190.5)	3/4" (19.1)	5/8" (15.9)

Online usalum.com By Phone (800) 262-5151
 Online crlaurence.com By Phone (800) 421-6144