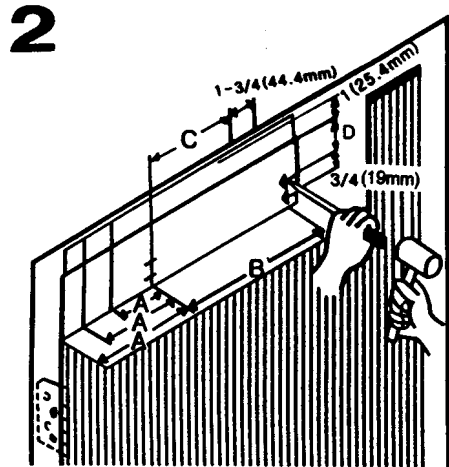


## INSTALLATION INSTRUCTIONS.

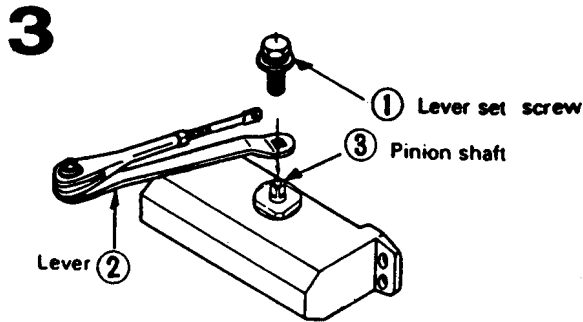
■ Check the handing of the door.  
 (Door Closer can be used with both right and left hand doors.)  
 (Shown here is the installation of the door closer for right hand doors. Installation for left hand doors is done in the same manner.)

Before installation check the handing of the door to which the door closer is to be attached, referring to the illustration at left. It is important to determine whether it is a right hand or left hand door.

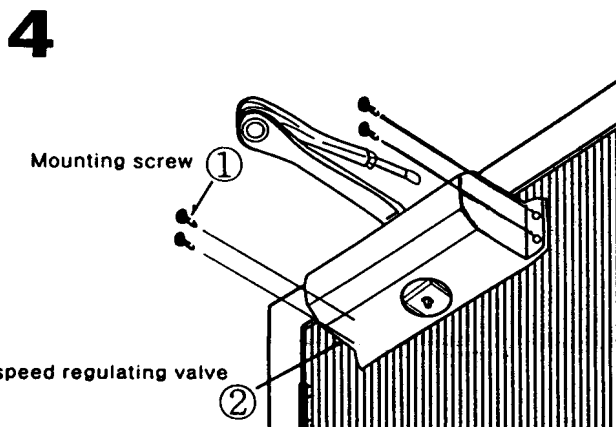


■ Determine the position of the door closer body  
 close the door, and make holes with a punch or the proper tool according to the following measurement table

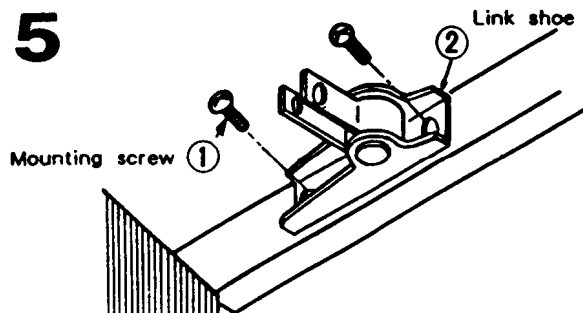
size	Installation dimensions(mm)					
	A			B	C	D
	Door open angle					
	180°	120°	90°			
	Power-up ratio					
Standard	20%up	30%up				
2-3	86	146	177	208	132	25
	3-3/8	5-3/4	7	8-3/16	5-3/16	1
4-5	76	135	165	230	143	28
	3	5-5/16	6-1/2	9-1/16	5-5/8	1-1/8



■ Fit the arm to the pinion shaft and attach it firmly with the screw.  
 Fit the arm to the pinion shaft at the top of the closer, with the speed regulating valves toward the door hinge, and attach the arm with the mounting screw.

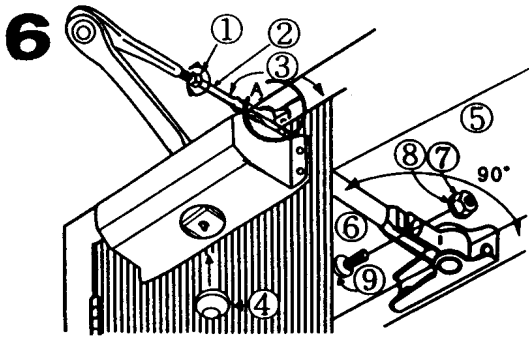


■ Mount the door closer on the door.  
 Mount the closer on the door with the speed regulating valves toward the door hinge.

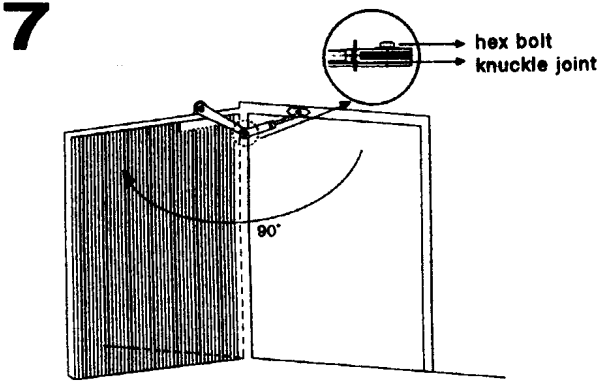


■ Mount the link shoe to the top jamb

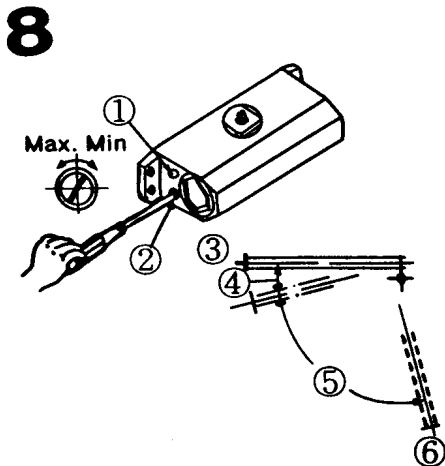
**CRL DCPH0A**



- Attach the link to the shoe and install the cap
- Adjust the link length so that it makes a right angle with the top jamb, and fit it firmly to the shoe with the screw and nut. Tighten the lock nut.
- ① Lock nut ② Link ③ At a right angle ④ Cap
- ⑤ Detailed view of area A ⑥ Link ⑦ Nut
- ⑧ Washer ⑨ Screw



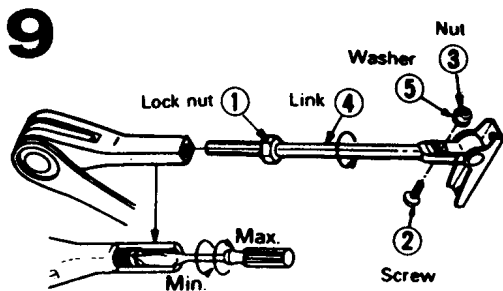
- Setting the hold open position
- The arm can be set to hold-open at any desired position.
- Open the door to the desired Hold-Open position. Tighten the hex bolt.



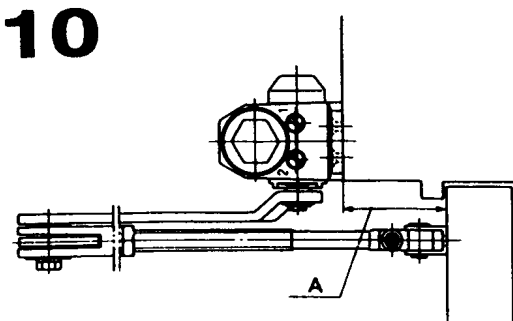
- Adjust the closing speed
- The door closer closes the door at two different speeds.
- The speed in the first section can be controlled by the No.1 speed regulating valve, and the speed in the second section by the No.2 regulating valve.

Note : The speed regulating valves have been factory adjusted to the standard levels. Alter them, if necessary, by opening each valve to the fullest extent first, and then by closing it gradually until the desired speed is obtained (see illustrations at left).

- ① No.2 speed regulating valve ② No.1 speed regulating valve ③ Closed position
- ④ Second section ⑤ First section ⑥ Open position



- Adjust the hold-open strength.
- The door hold-open strength has been factory adjusted. If it should need changing, take the following steps:
- 1) Loosen the lock nut
- 2) Remove the screw (2) and turn the link(4) counterclockwise to remove.
- 3) Insert a straight screwdriver into the aperture of the link housing and turn the adjusting screw between a half and a full turn, counterclockwise to reduce strength, clockwise to increase it, makes a right angle with the door.
- 4) In reassembly, refit the link so that it makes a right angle with the door.
- 5) Tighten the lock nut



- Top Jamb Application
- Using this Hold-Open Arm with a Top Jamb mounting will require the use of an optionally available longer link.

A : May not exceed 4" (102mm)