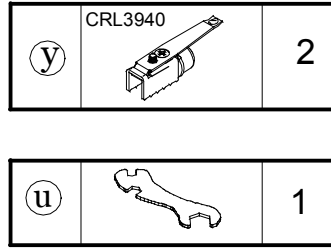
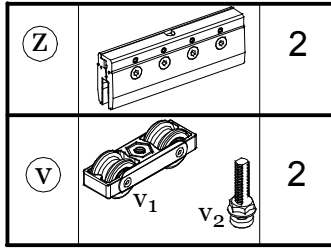
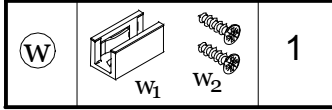
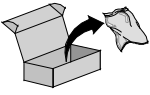


## ASSEMBLY INSTRUCTIONS FOR:

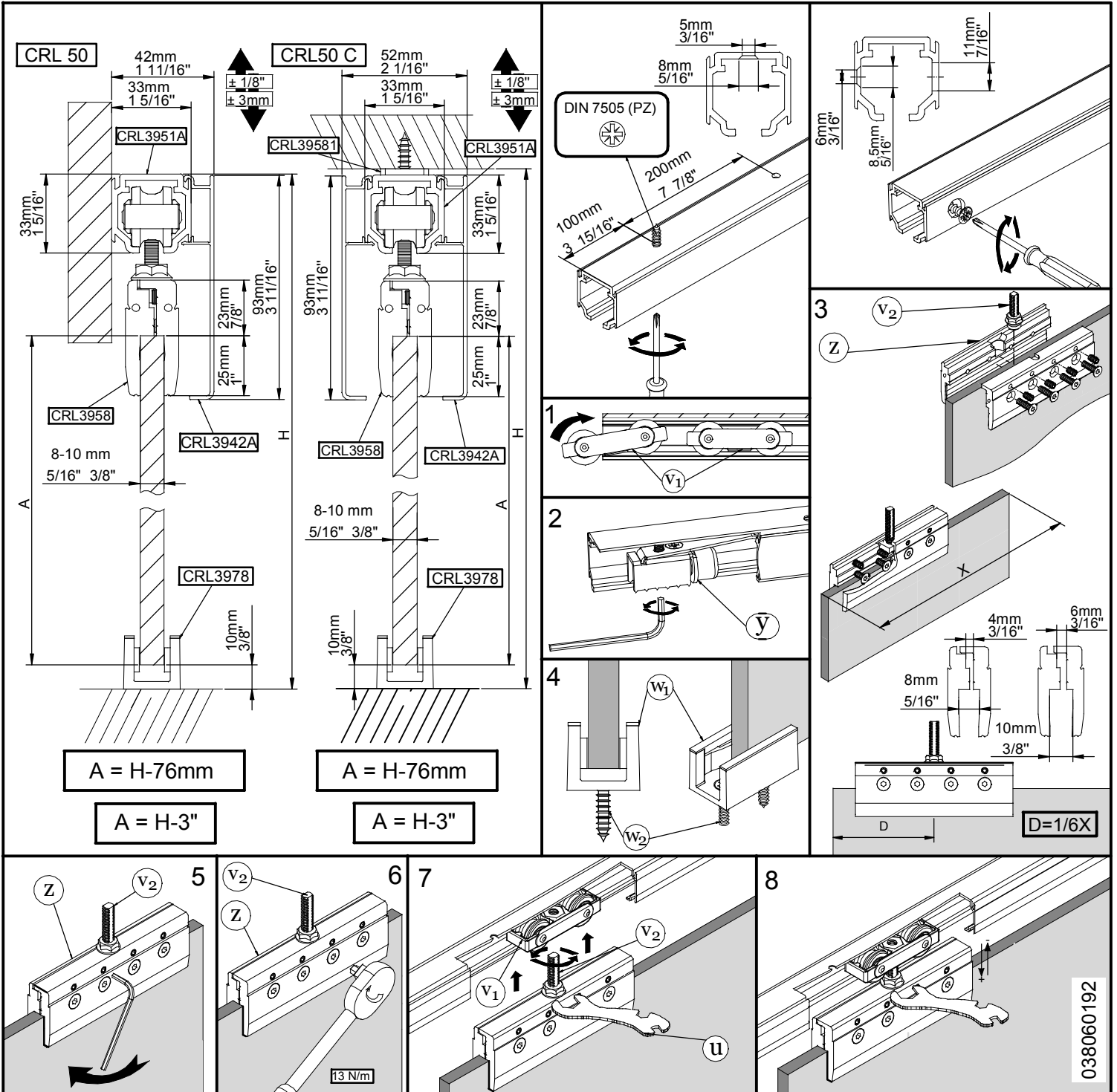
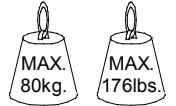
### CRL 50 | CRL 501 | CRL 502 | CRL 50C | CRL 501C | CRL 502C | CRL 50D | CRL 501D

**Contenido del juego**  
Content of the set  
Contenu de l'ensemble

CRL3958



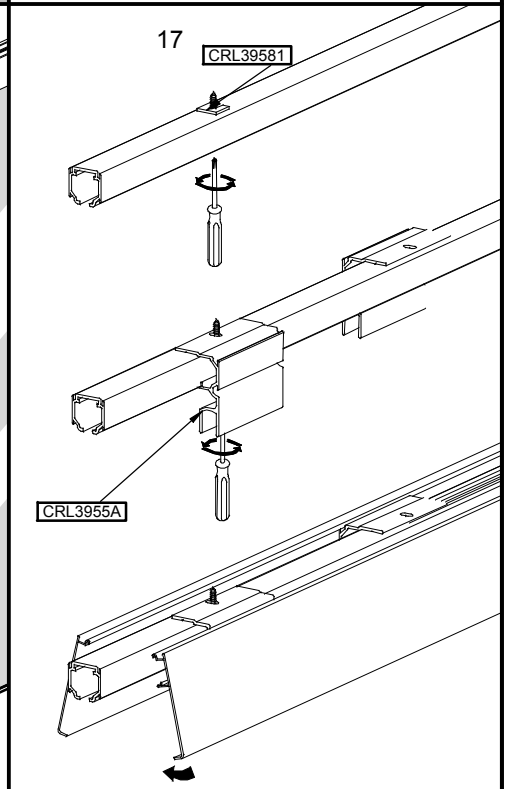
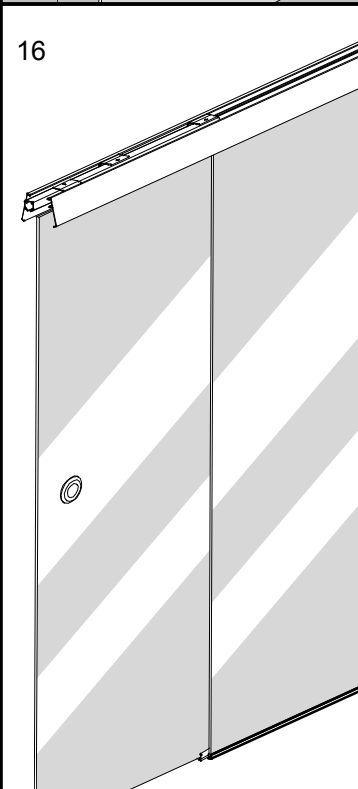
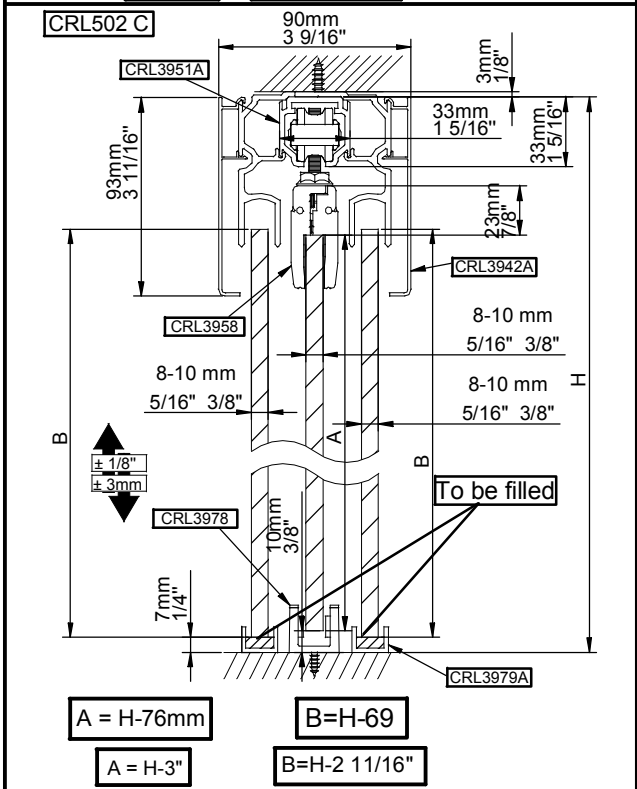
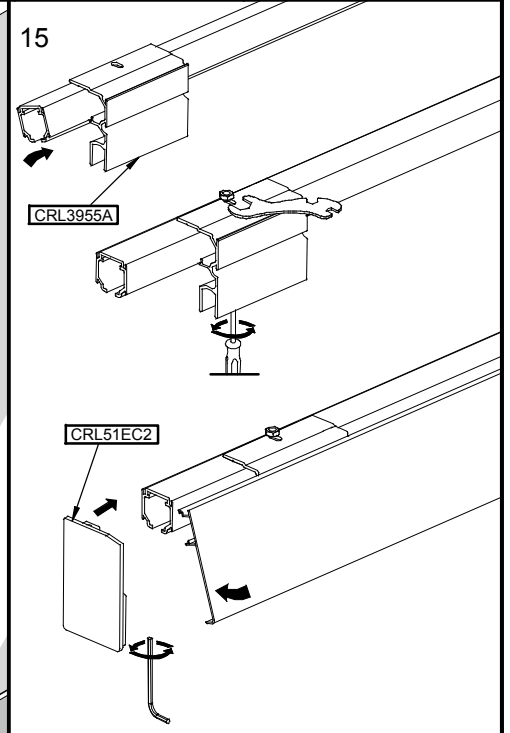
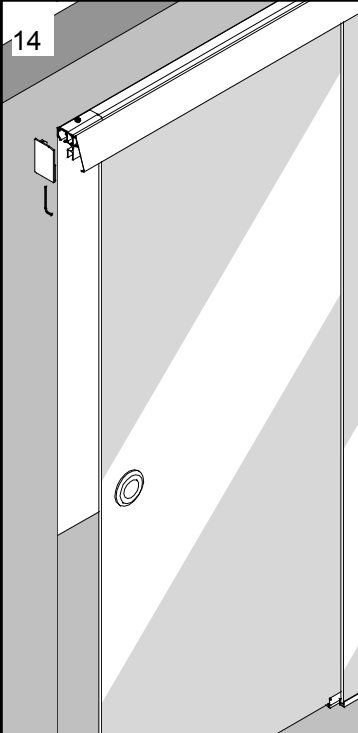
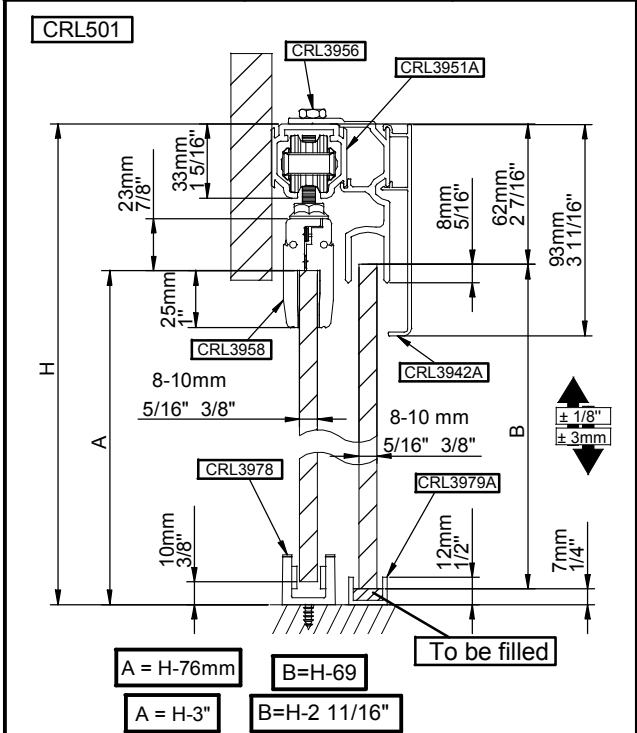
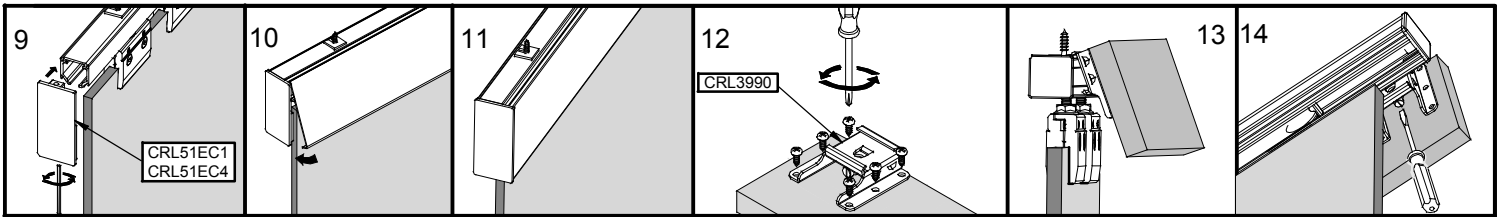
8-10 mm Glass  
5/16"-3/8" Glass



038060192

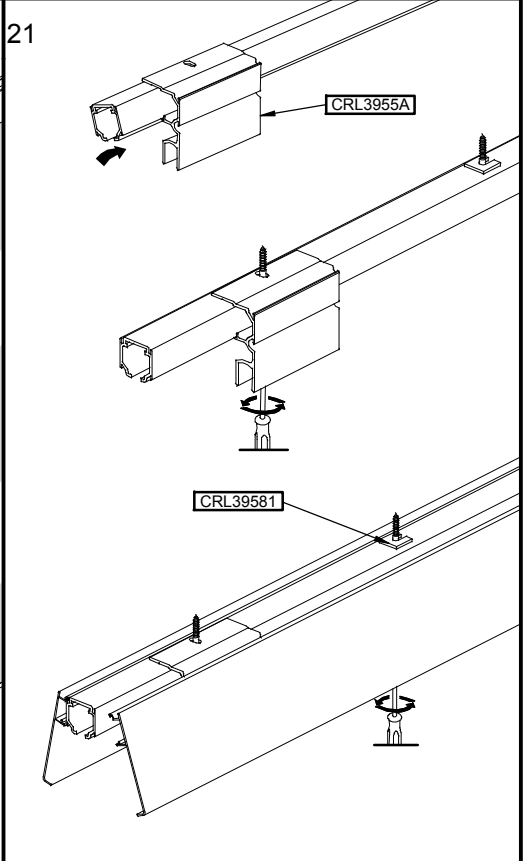
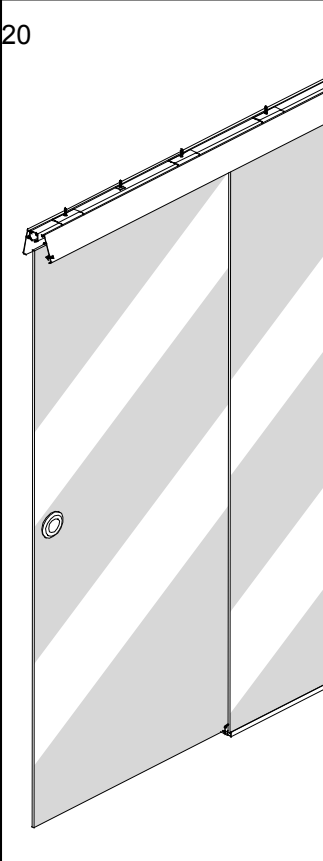
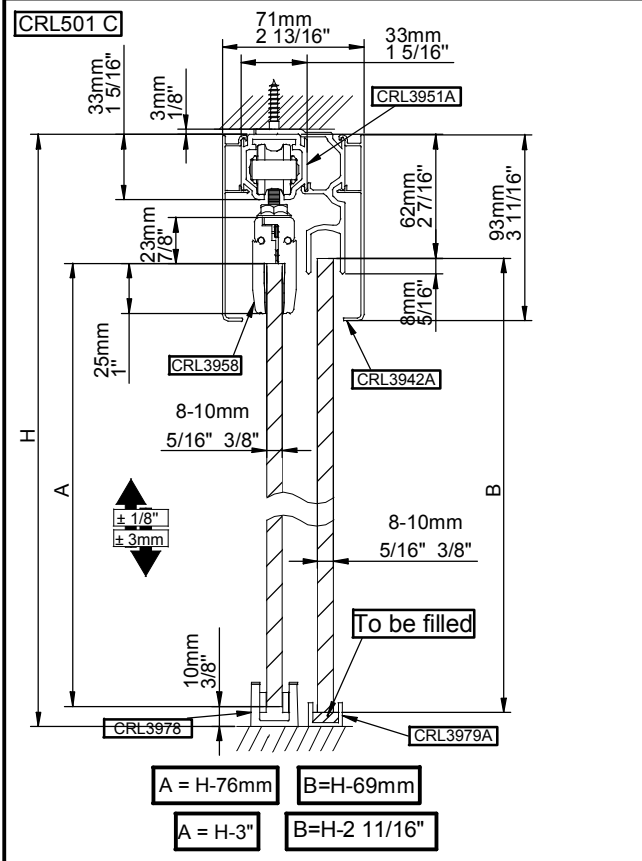
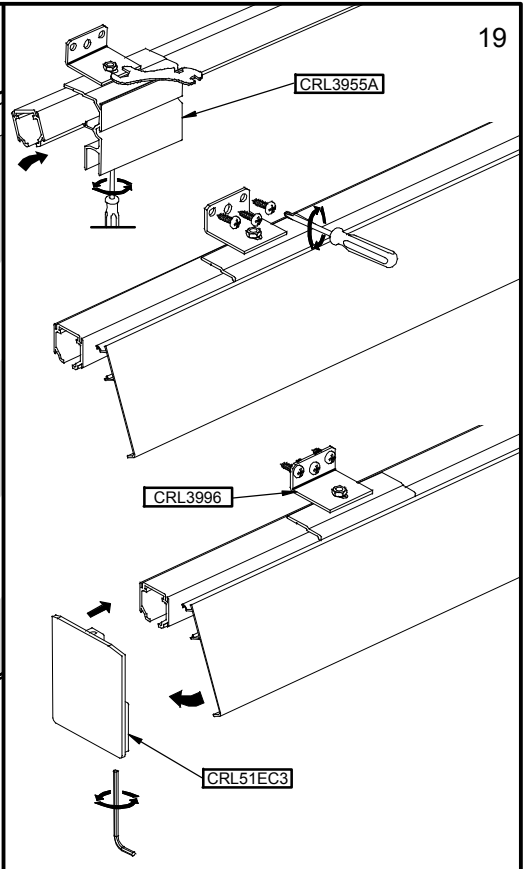
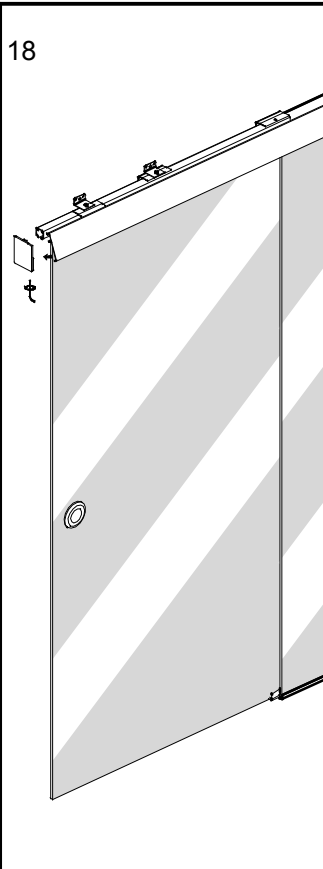
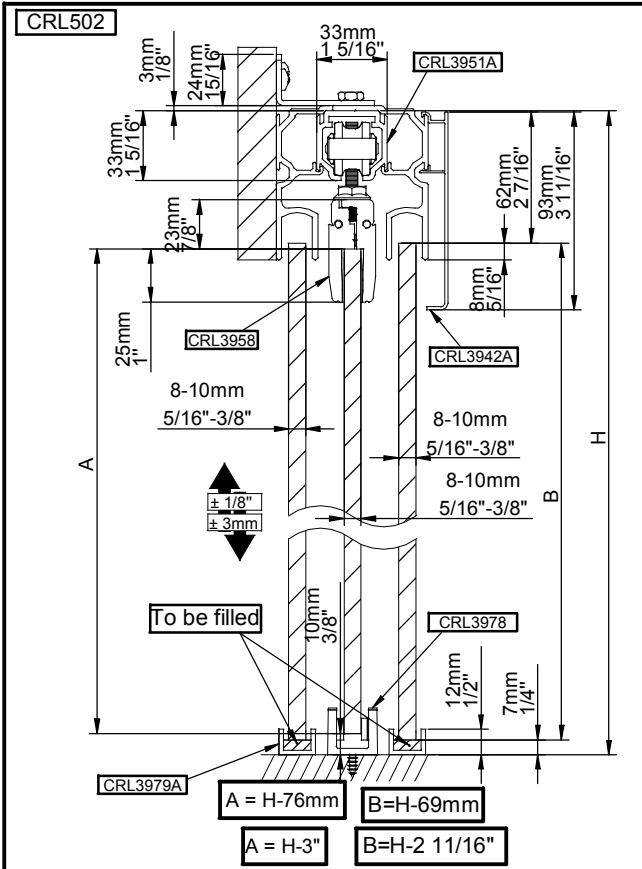
## ASSEMBLY INSTRUCTIONS FOR:

### CRL 50 | CRL 501 | CRL 502 | CRL 50C | CRL 501C | CRL 502C | CRL 50D | CRL 501D



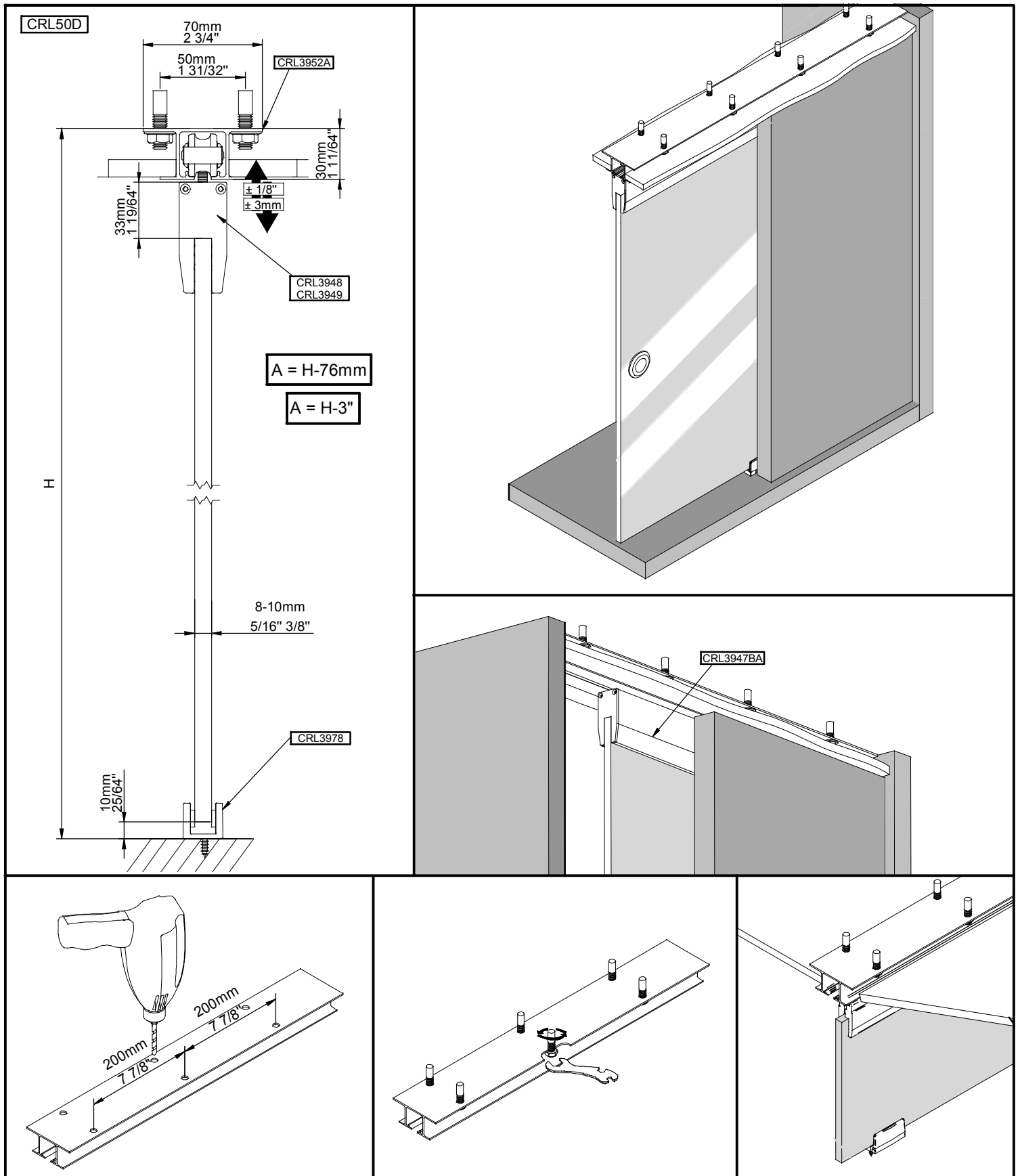
ASSEMBLY INSTRUCTIONS FOR:

CRL 50 | CRL 501 | CRL 502 | CRL 50C | CRL 501C | CRL 502C | CRL 50D | CRL 501D



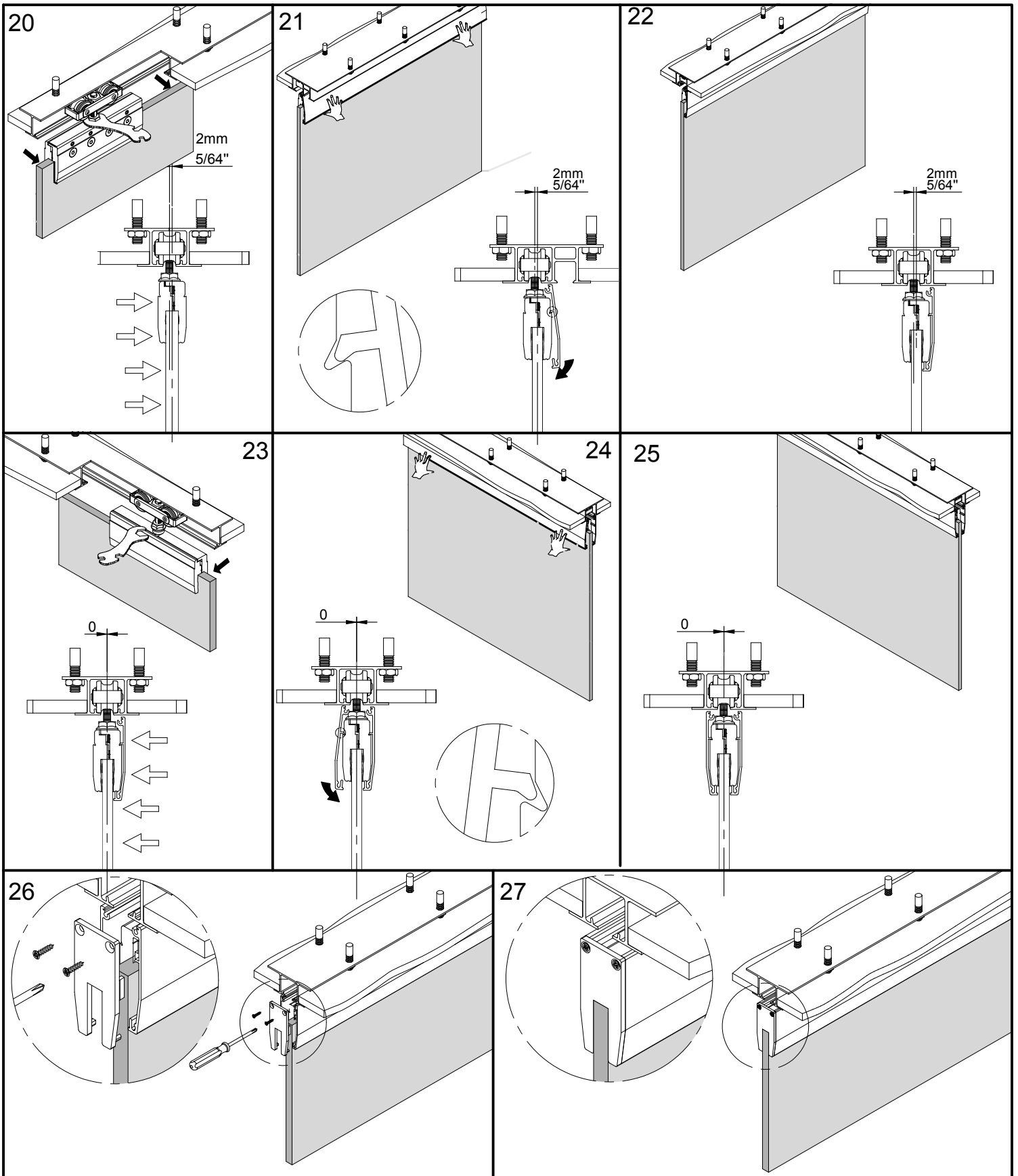
## ASSEMBLY INSTRUCTIONS FOR:

**CRL 50 | CRL 501 | CRL 502 | CRL 50C | CRL 501C | CRL 502C | CRL 50D | CRL 501D**



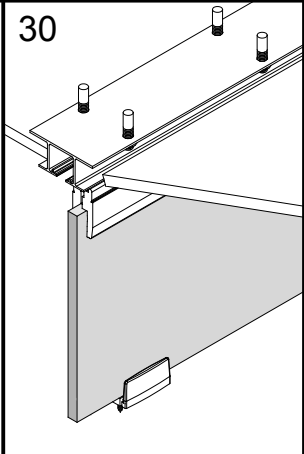
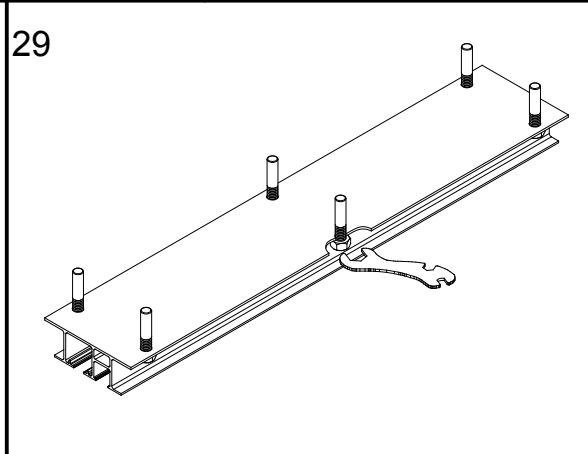
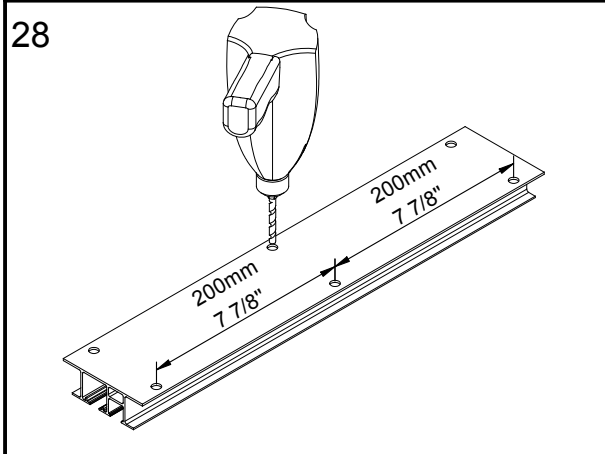
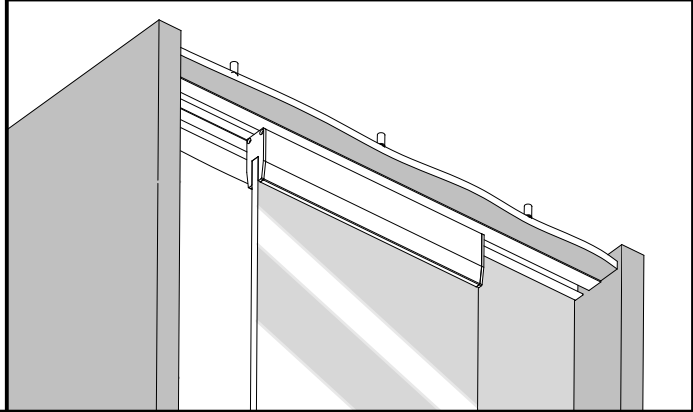
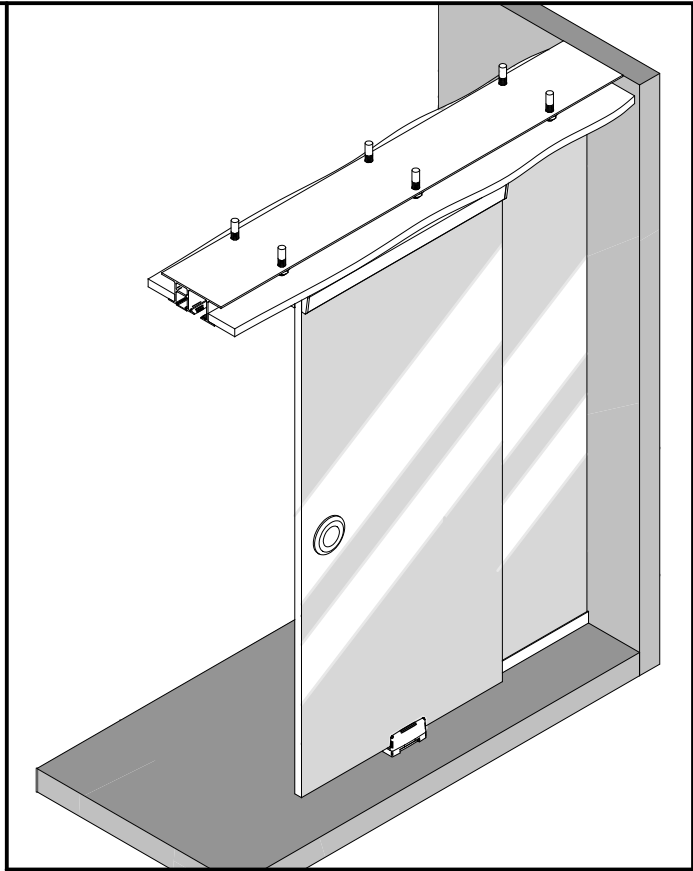
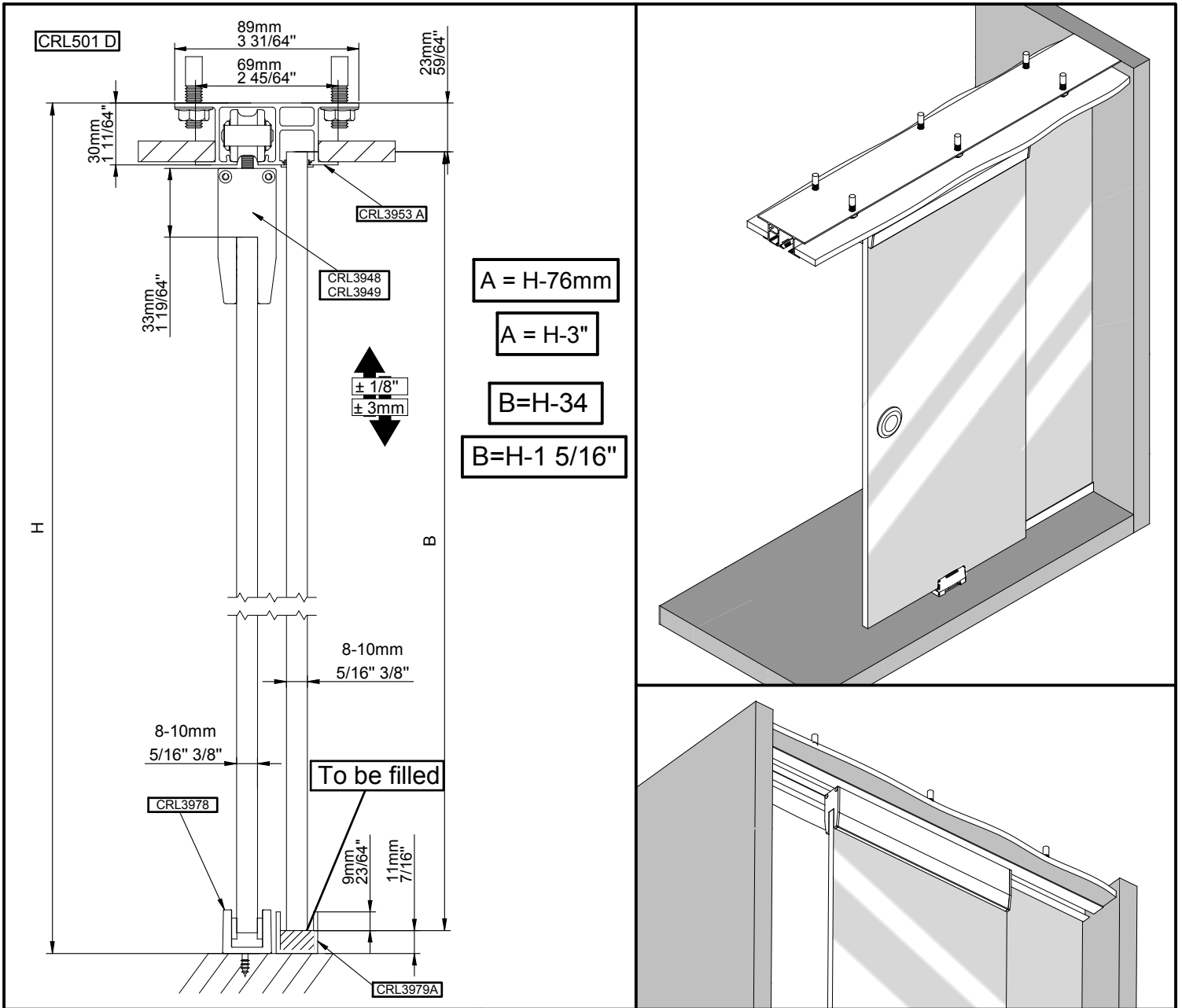
## ASSEMBLY INSTRUCTIONS FOR:

**CRL 50 | CRL 501 | CRL 502 | CRL 50C | CRL 501C | CRL 502C | CRL 50D | CRL 501D**



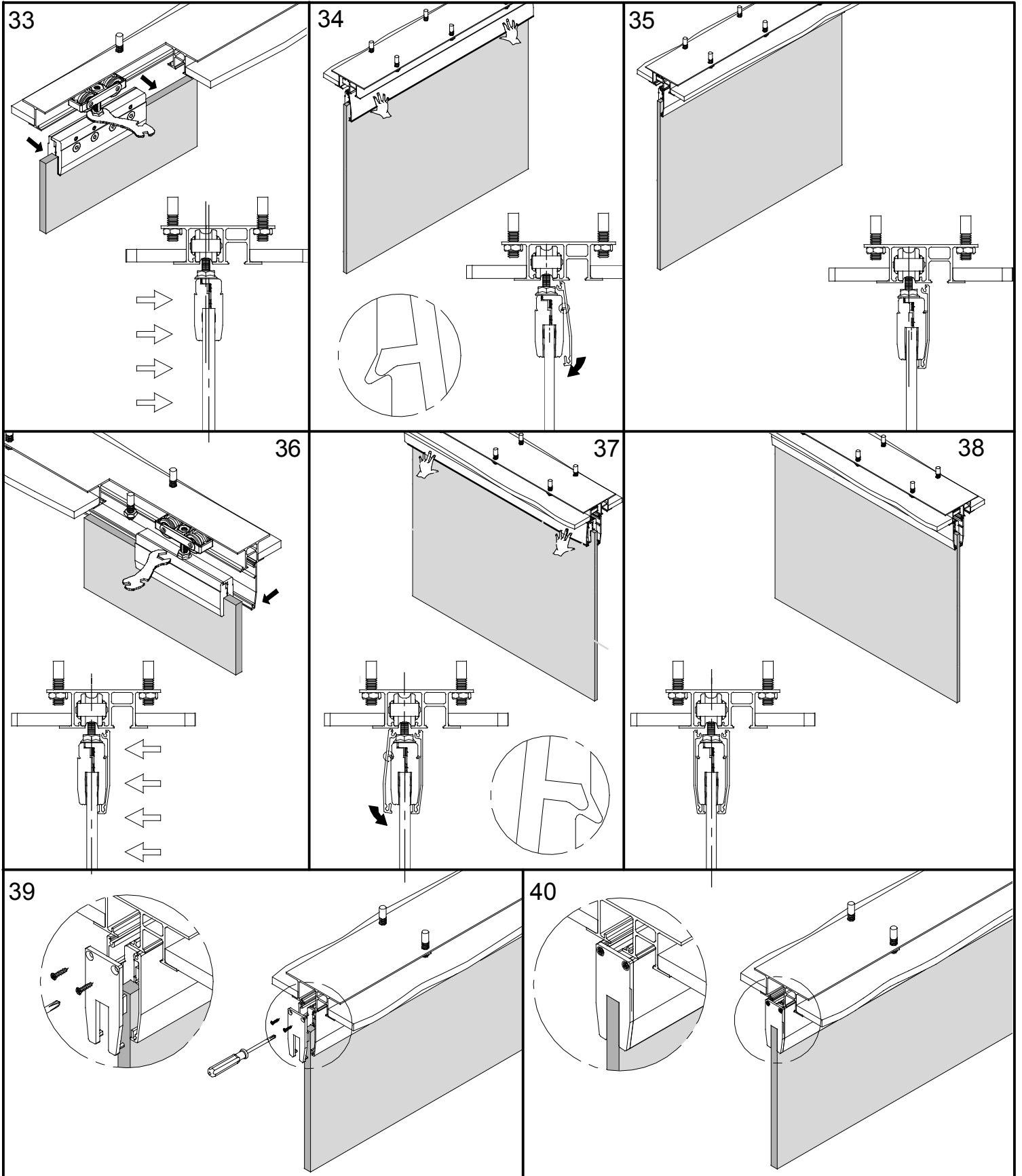
## ASSEMBLY INSTRUCTIONS FOR:

**CRL 50 | CRL 501 | CRL 502 | CRL 50C | CRL 501C | CRL 502C | CRL 50D | CRL 501D**



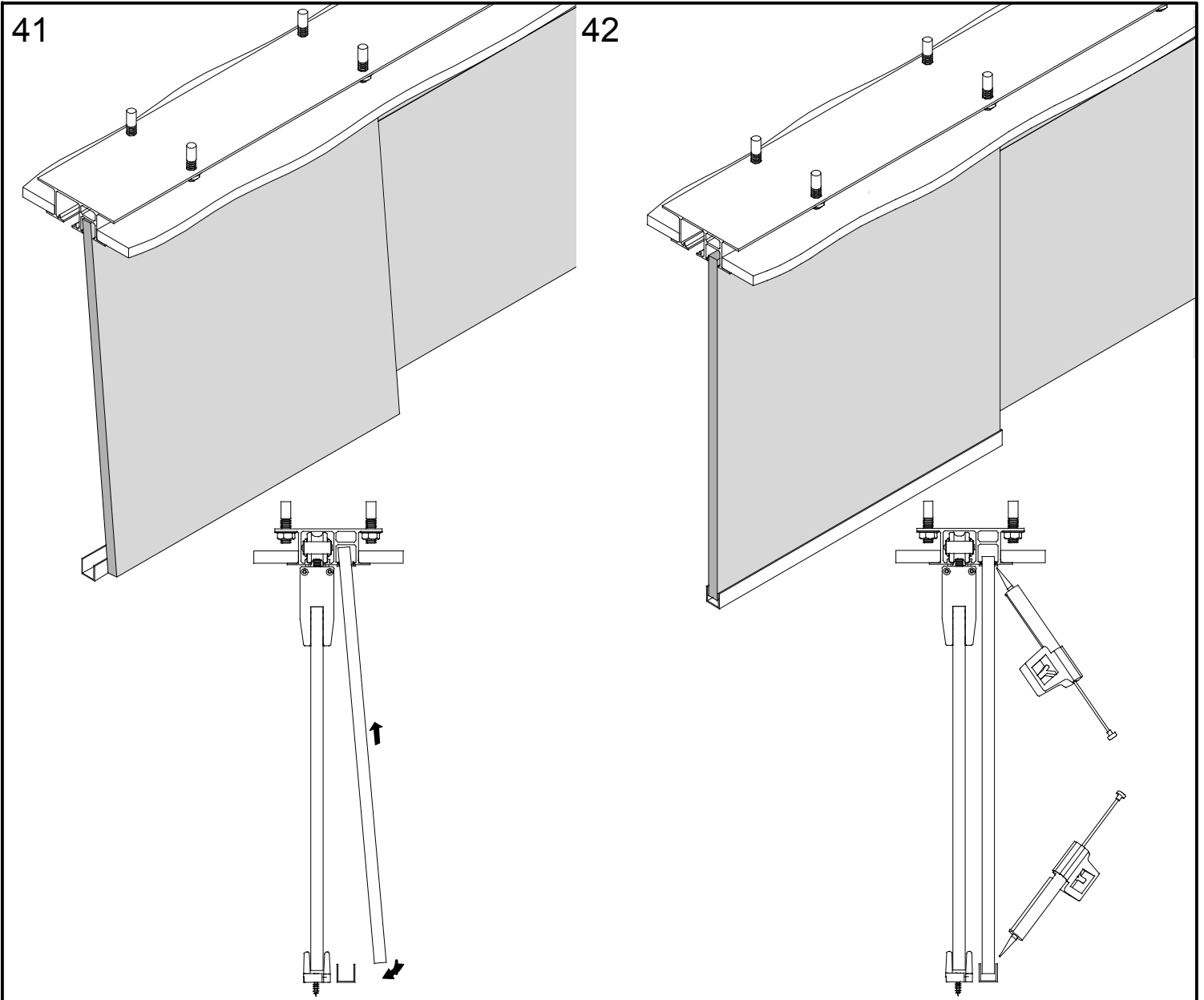
## ASSEMBLY INSTRUCTIONS FOR:

**CRL 50 | CRL 501 | CRL 502 | CRL 50C | CRL 501C | CRL 502C | CRL 50D | CRL 501D**



## ASSEMBLY INSTRUCTIONS FOR:

**CRL 50 | CRL 501 | CRL 502 | CRL 50C | CRL 501C | CRL 502C | CRL 50D | CRL 501D**



<p><b>43</b></p>	<p><b>44</b></p>	<p><b>45</b></p>	<p><b>TO REMOVE THE COVERS</b></p> <ol style="list-style-type: none"> <li>1-REMOVE PLASTIC SIDE COVER</li> <li>2-PLACE HOLD YOUR HAND BETWEEN THE PADS AND THE END OF THIS CLIP AND PULL. ONCE AGAIN THE SAME PROCESS DESCLIPADO THE OPPOSITE END.</li> <li>3 - FINALLY PULL THE TWO SIDES PROPORTIONALLY.</li> </ol> <p><b>PARA DESMONTAR LAS TAPAS</b></p> <ol style="list-style-type: none"> <li>1-DESMONTAR TAPA PLASTICO LATERAL</li> <li>2-COLOCAR LA MANO AGARRANDO LA TAPETA ENTRE FINAL DE ESTA Y LA PINZA Y TIRAR. UNA VEZ DESCLIPADO REPETIR EL MISMO PROCESO POR EL EXTREMO CONTRARIO.</li> <li>3- FINALMENTE TIRAR DE LOS DOS LADOS PROPORCIONALMENTE.</li> </ol> <p><b>POUR DÉ MONTER LES COUVERTURES</b></p> <ol style="list-style-type: none"> <li>1-DÉMONTER LA COUVERTURE MATIÈRE PLSTIQUE DU COTE</li> <li>2-PLACER LA MAIN EN SAISSANT LA TAPETA ENTRE FIN DU CE ET COLLIER ET LA JETER. UNE FOIS DESCLIPADO RÉPÉTER LE MÊME PROCESSUS PAR L'EXTRÉMITÉ CONTRAIRE. 3-FINALMENTE JETER DE D'UN CÔTÉ ET D'UN AUTRE PROPORTIONNELLEMENT.</li> <li>3- JETER FINALEMENT DES DEUX CÔTÉS PROPORTIONNELLEMENT.</li> </ol>
------------------	------------------	------------------	--

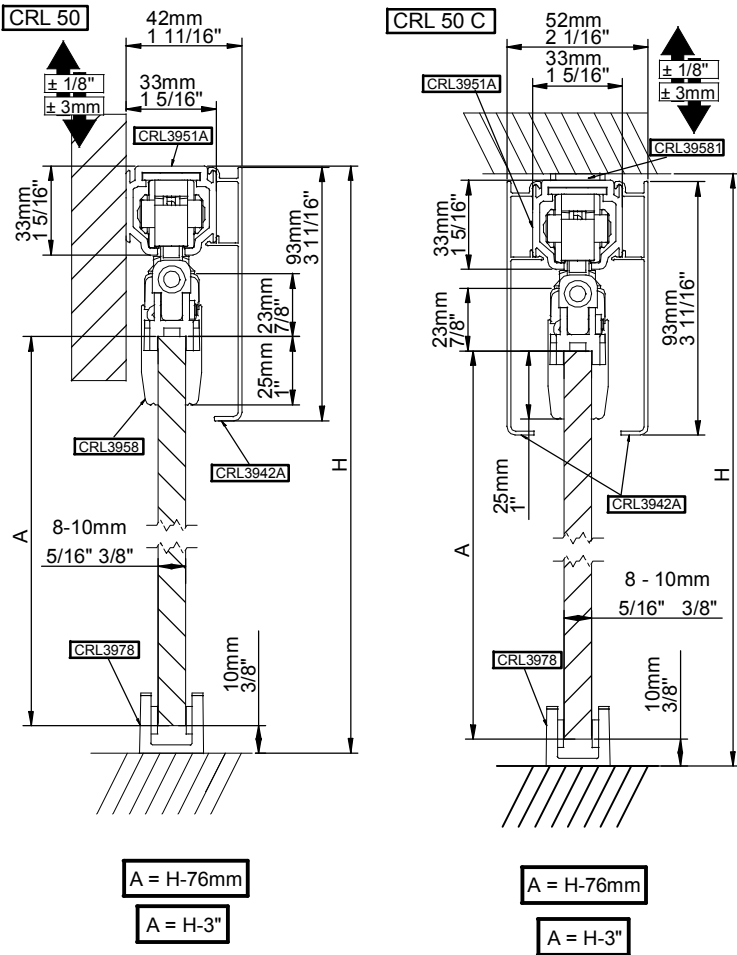
AVDB3131\_11/13



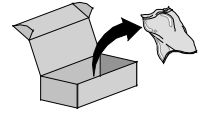


## ASSEMBLY INSTRUCTIONS FOR: CRL 51 SBK (SOFTBRAKE MOUNT OPTION)

Variantes de instalación-Softbrake  
Installation variants-Softbrake  
Variants d'installation -Softbrake



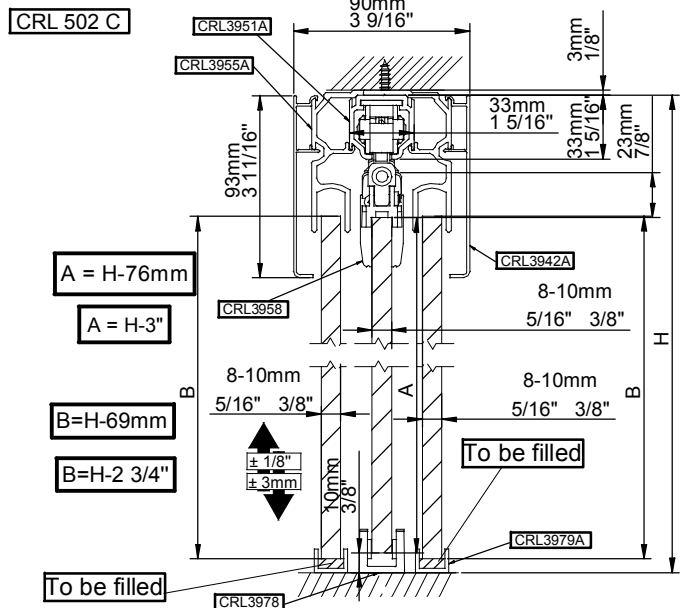
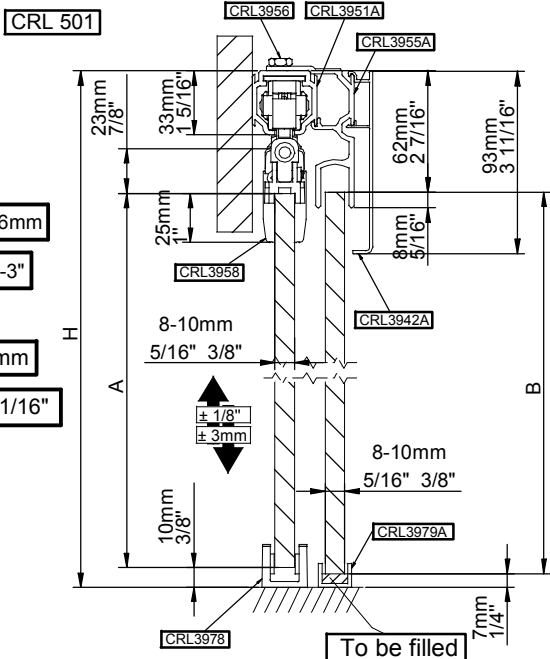
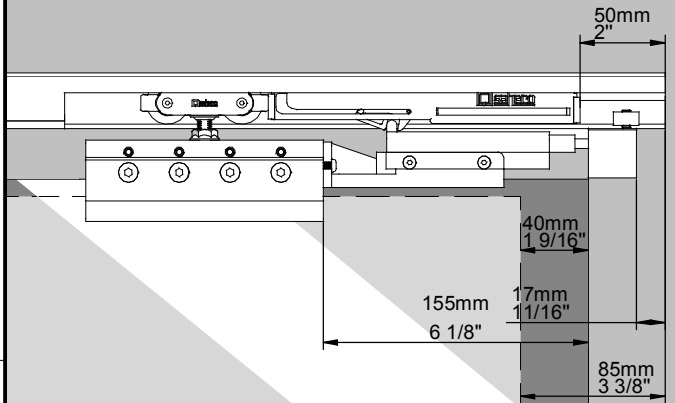
Contenido del juego  
Content of the set  
Contenu de l'ensemble



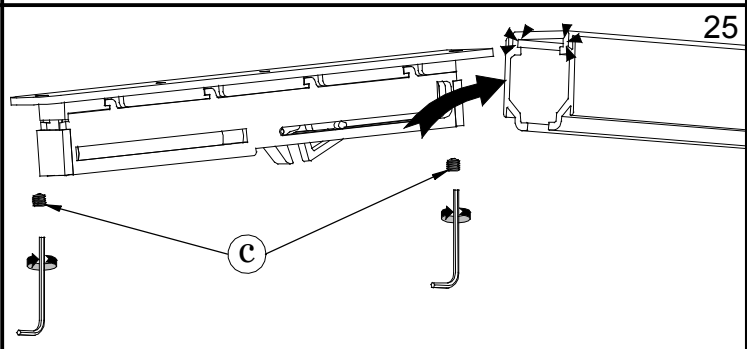
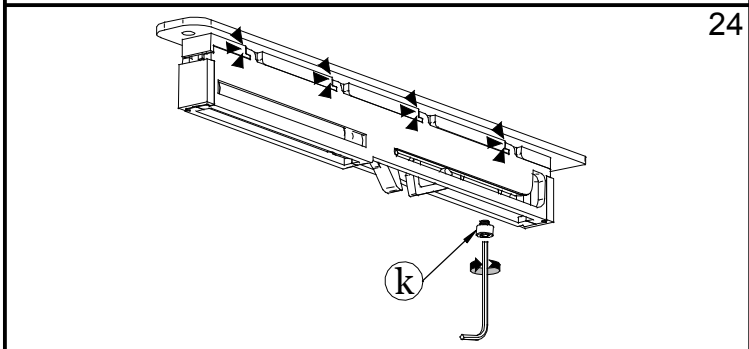
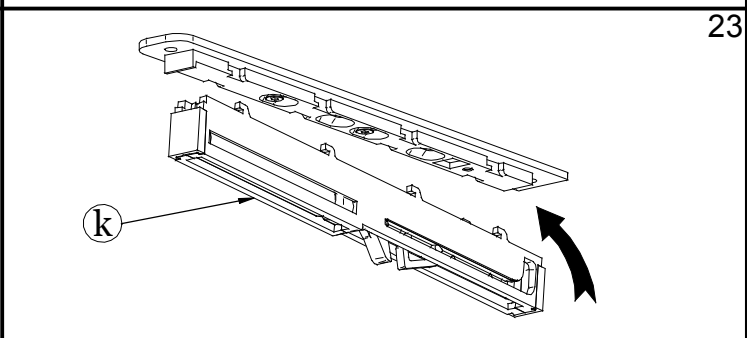
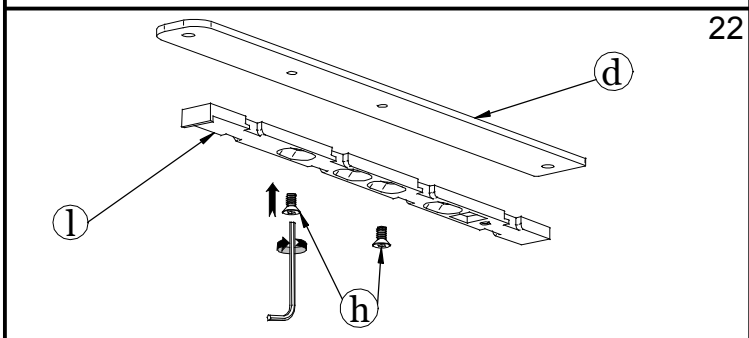
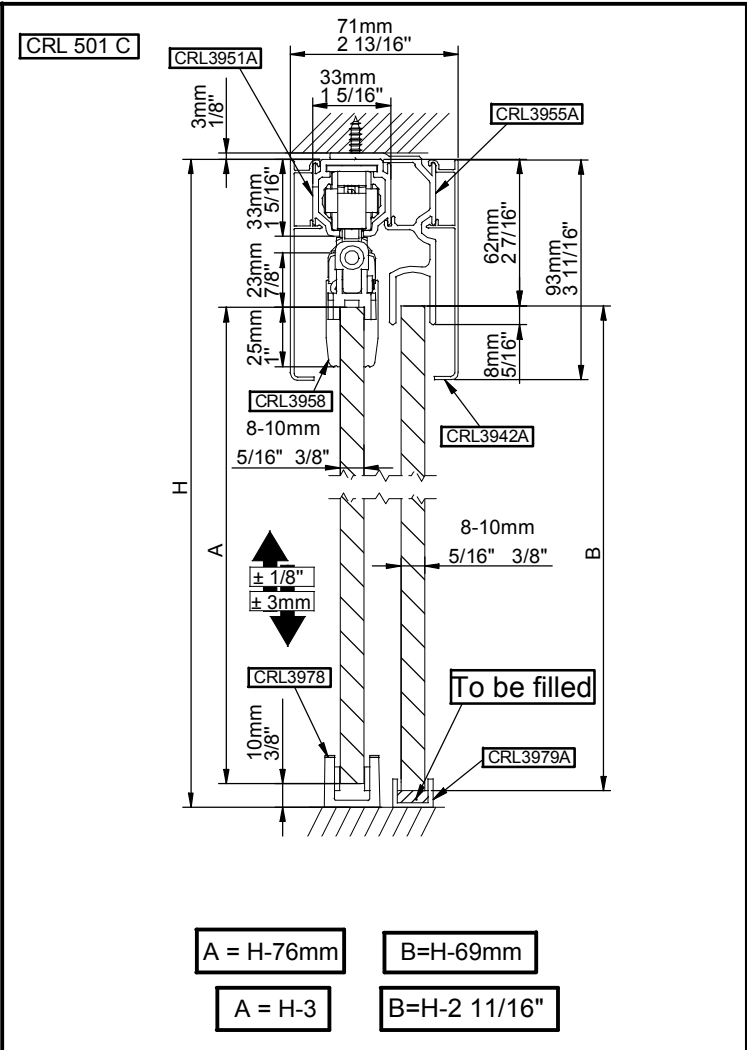
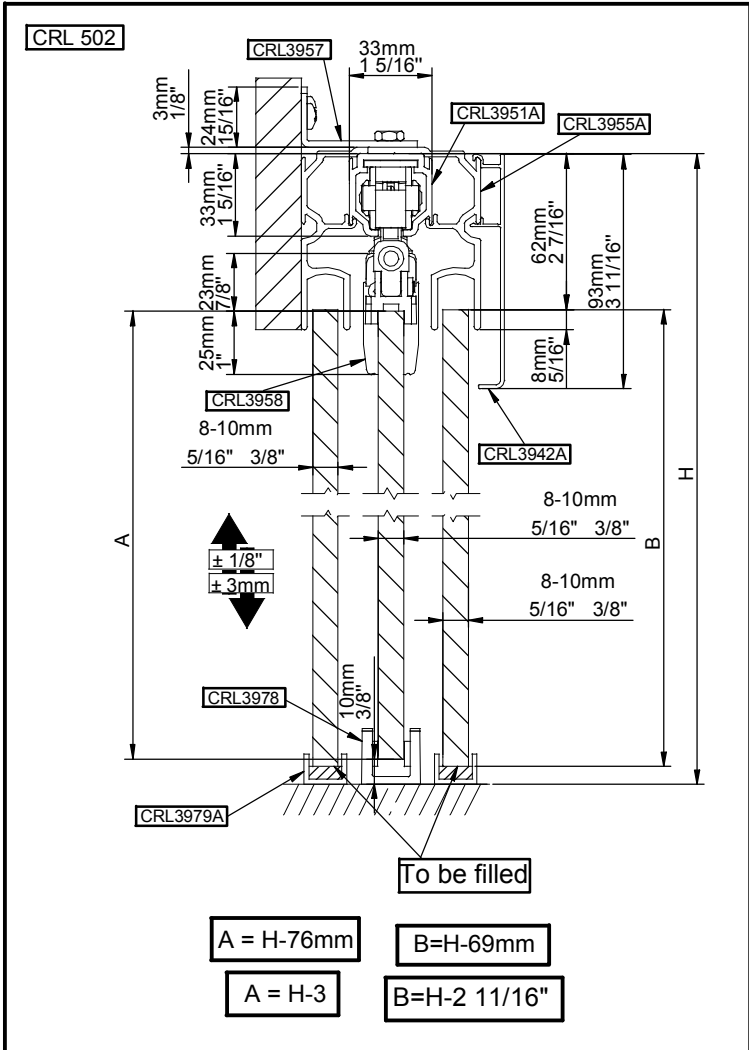
t	t <sub>1</sub>	t <sub>2</sub>	1
s			1
r			1
q	DIN 561 M4		2
b	DIN 7991 M4X16		2
p			1
n	ISO 7380 M4x12		2
m	DIN 7991 M4X12		1
x	DIN 934 M4		1
l			1

CRL51SBK

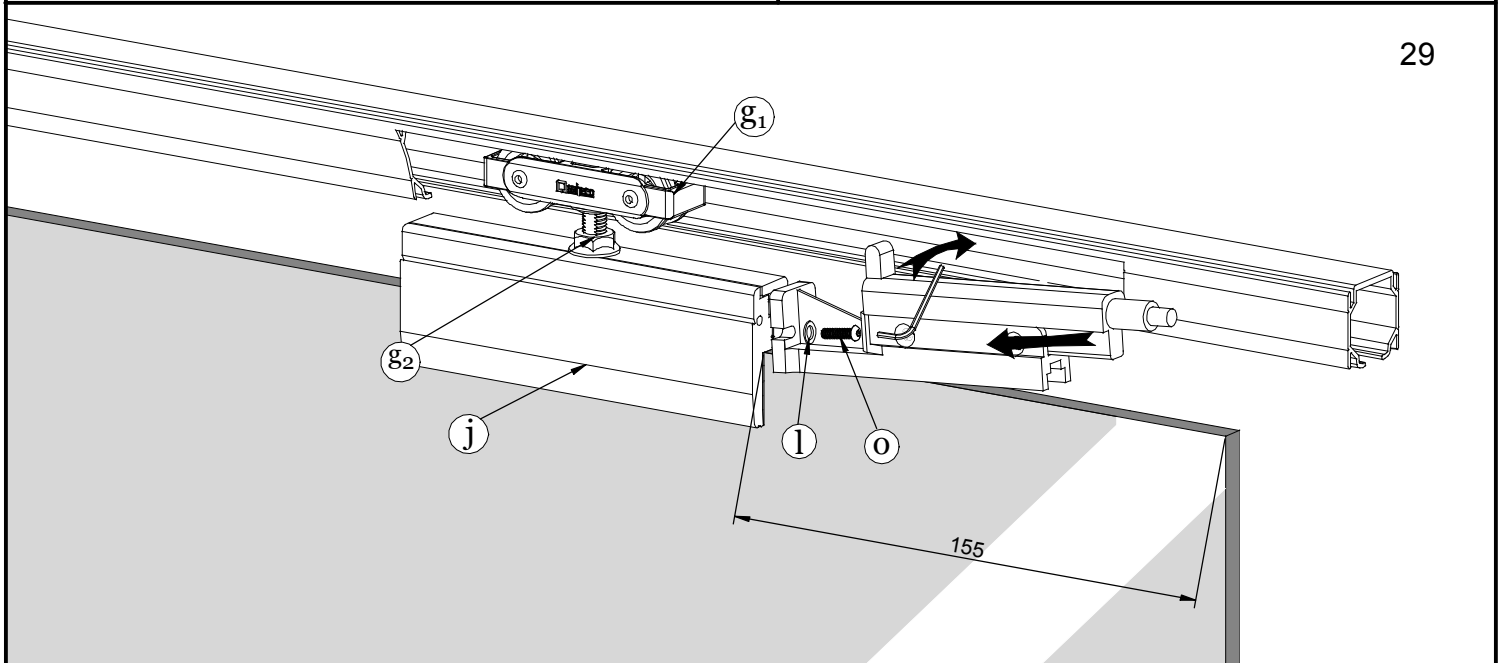
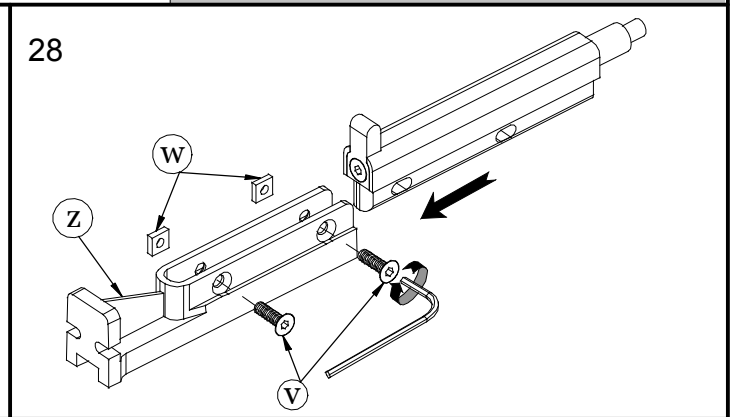
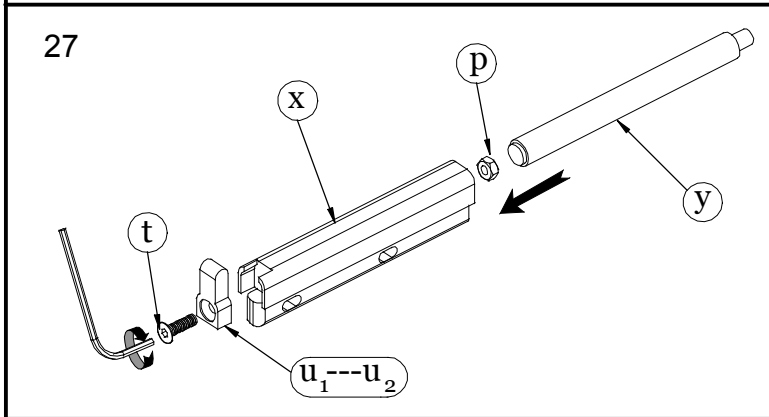
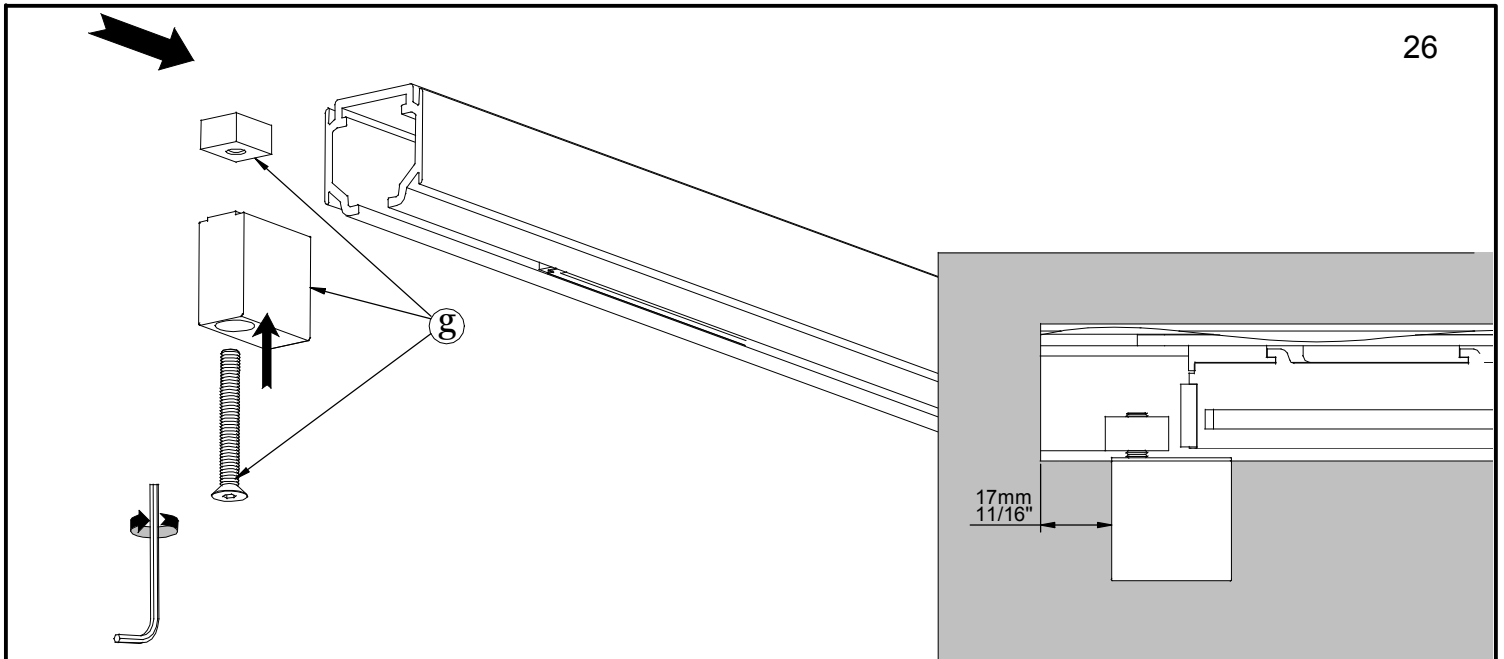
k		1
j	DIN 912 M3x5	1
h	DIN 7991 M3X6	2
g		1
f	DIN 125 M4 CINC	3
d		1
c		2



ASSEMBLY INSTRUCTIONS FOR:  
**CRL 51 SBK (SOFTBRAKE MOUNT OPTION)**



ASSEMBLY INSTRUCTIONS FOR:  
**CRL 51 SBK (SOFTBRAKE MOUNT OPTION)**



AVDB3131\_11/13