

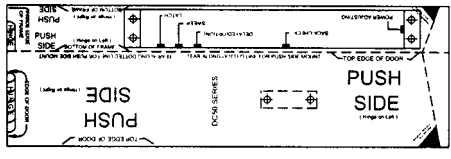
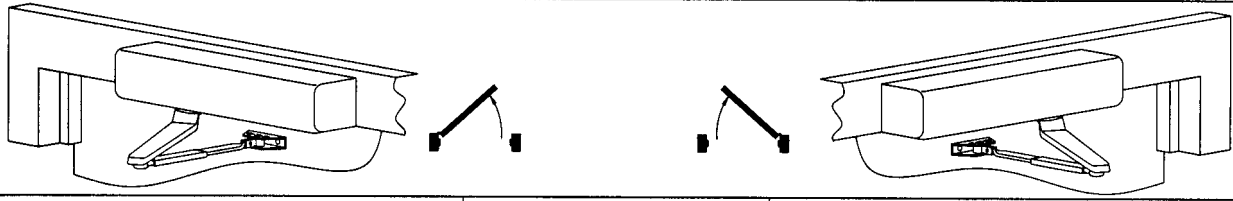


Glazing, Industrial, Construction
and Automotive Supplies
Phone Toll Free (800)421-6144
Fax Toll Free (800)262-3299
Locations to Serve the Industries
Throughout North America & Europe
Corp. Headquarters: 801 S. 58th St., Los Angeles, CA 90008-0923
Website Address: www.crlaurence.com

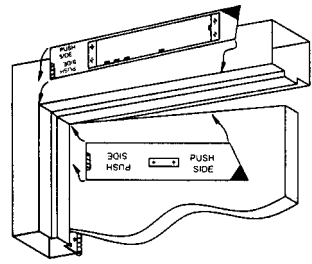
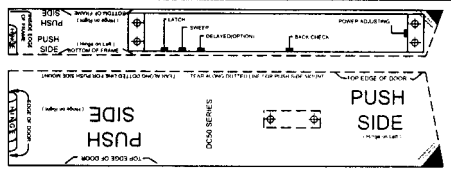
PR70

PUSH SIDE JAMB MOUNTED

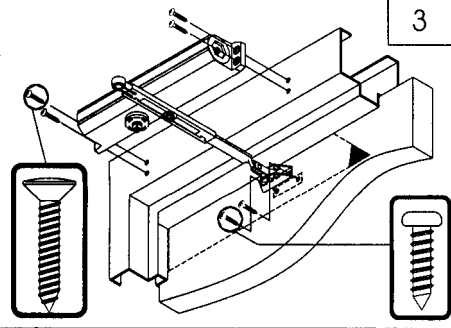
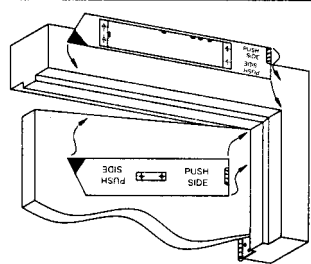
SELECT THE PICTURE THAT MATCHES YOUR INSTALLATION AND FOLLOW DIRECTIONS ON THAT SIDE OF PAGE.



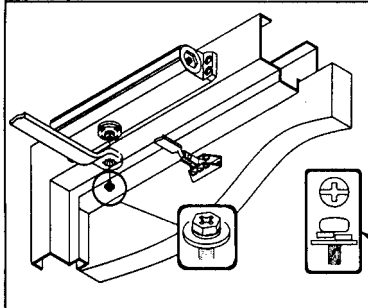
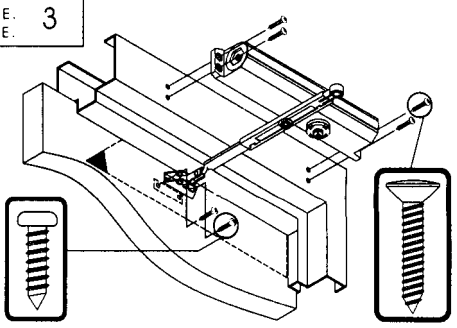
1 LOCATE PULL SIDE TEMPLATES
& SEPARATE ON DOTTED LINE.



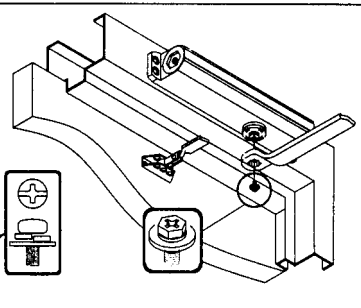
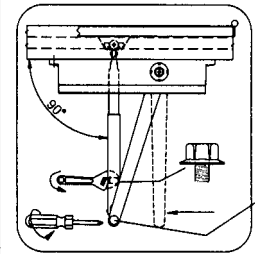
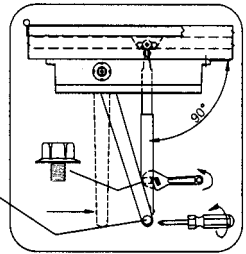
2 PEEL OFF TEMPLATES AND ALIGN WITH HINGE EDGE
OF DOOR & FRAME. CENTER PUNCH TEMPLATE HOLES.



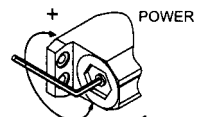
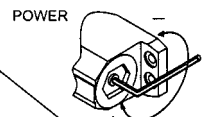
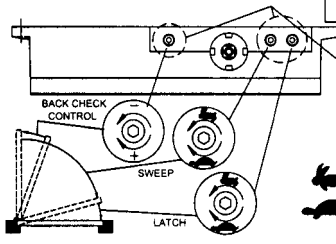
3 PEEL TEMPLATES OFF OF DOOR & FRAME.
ATTACH MOUNTING BODY, ROD & SHOE.



4 ATTACH MAIN ARM TO CLOSER. CONNECT ARM WITH
ROD & SHOE. PRELOAD ARM TO 90° AS SHOWN.



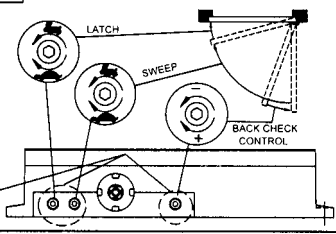
IF NECESSARY, ADJUST SPRING POWER (FACTORY SET AT 3) AND DOOR SPEEDS.



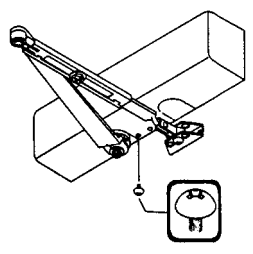
= FASTER
 = SLOWER

= FASTER
 = SLOWER

CAUTION
DO NOT TURN ADJUSTING VALVES MORE
THAN 2 FULL TURNS COUNTER-CLOCKWISE
FROM THE FACTORY SET POSITIONS.



ATTACH FULL COVER



DOOR CLOSER SIZE		CLOCKWISE TURNS OF ADJUSTING NUT		APPLICABLE DOOR SIZE		APPLICABLE DOOR WEIGHT
PR 70 (SIZE 112-4)	PR 72 (SIZE 112-6)	PR 70 (SIZE 112-4)	PR 72 (SIZE 112-6)	INTERIOR	EXTERIOR (SWING OUT)	
1/2	NOT RECOMMENDED (SEE FACTORY SET)	-9	N/A	28"(0.71m)	24"(0.61m)	22-57 Lbs. (10.0-15kg)
1	NOT RECOMMENDED (SEE FACTORY SET)	-6	N/A	32"(0.81m)	28"(0.71m)	33-66 Lbs. (15-30kg)
2	2	+3	-5	36"(0.91m)	32"(0.81m)	66-99 Lbs. (30-45kg)
3	3	0	0	42"(1.07m)	36"(0.91m)	99-143 Lbs. (45-65kg)
4	4	3	6	48"(1.22m)	42"(1.07m)	143-187 Lbs. (65-85kg)
NOT RECOMMENDED (SEE FACTORY SET)	5	N/A	9	54"(1.37m)	48"(1.22m)	187-264 Lbs. (85-120kg)
NOT RECOMMENDED (SEE FACTORY SET)	6	N/A	12	58"(1.47m)	52"(1.32m)	264-330 Lbs. (120-150kg)

*3 MEANS 3 TURNS TO ANTI-CLOCKWISE

