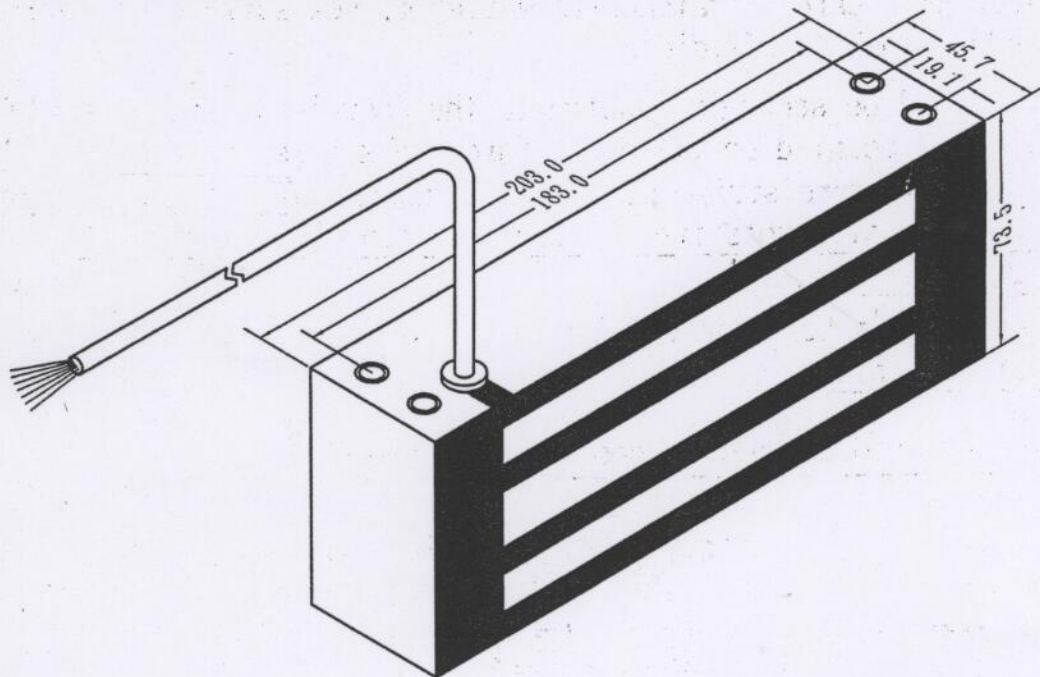


ELECTRO-MAGNETIC GATE LOCK

ML1200USS \ ML1200MSS



12V	24V	LOCK STATUS SENSOR(REED SW.)
<p>RED BLACK GREEN WHITE</p>	<p>RED BLACK GREEN WHITE</p>	<p>BROWN→COM. YELLOW→NO. BLUE→NC.</p>

WIRING INSTRUCTION : READ CAREFULLY

- (1). FOR 12V : CONNECT THE RED/BLACK WIRES , GREEN/WHITE WIRES AND CONNECT TO 12V SOURCE.
- (2). FOR 24V : SHORT BLACK/GREEN WIRES AND CONNECT RED/WHITE WIRES TO 24V SOURCE.
- (3). OPTION : LOCK STATUS SENSOR→FOR ML1200MSS ONLY.

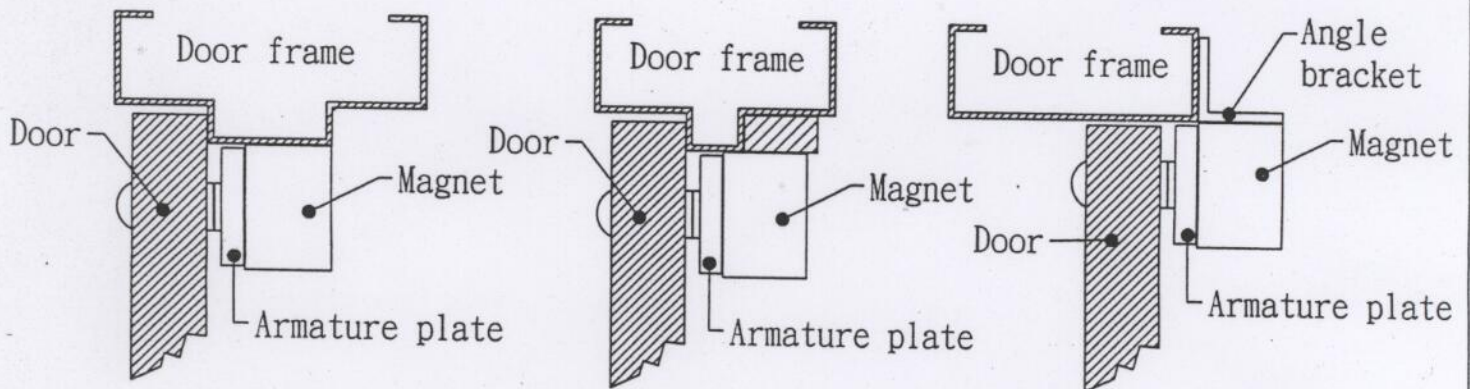
☆. NOTE : VARISTOR(TNR) SHOULD BE PLACED AS DIRECTED.

Mounting Instructions for ML1200 Series Magnetic Locking Devices

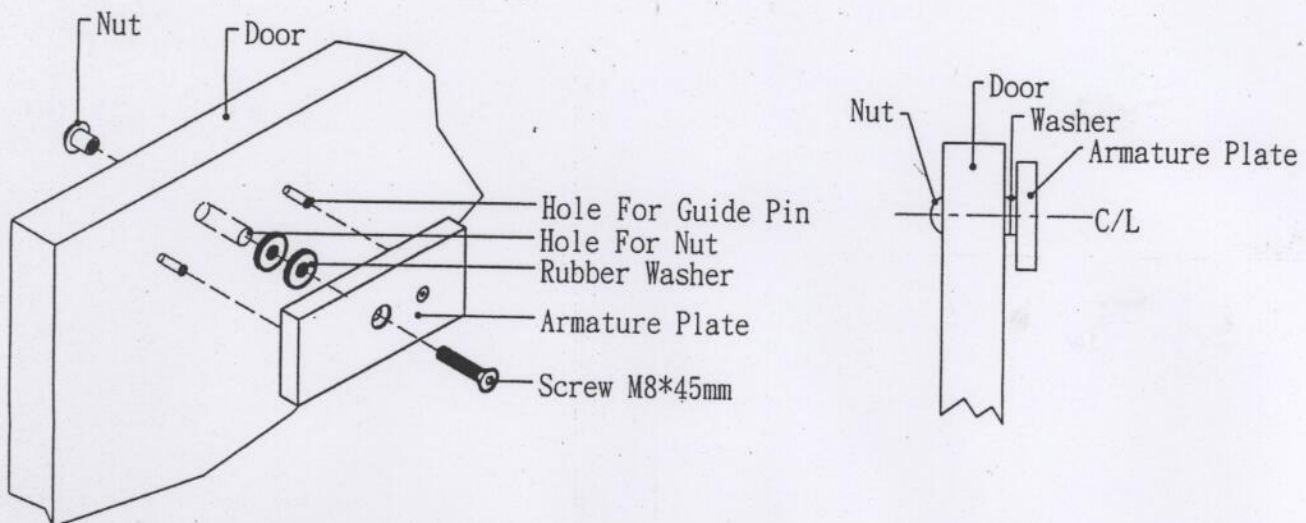
Important : Please read before attempting to install magnetic lock

- A. Handle maglock with care. Scratches to mating magnet surface or armature plate may reduce locking efficiency.
- B. Magnet body should be securely mounted to the door header (or frame) while the armature plate is mounted on the door. Hardware kit is provided for the installation of armature(strike)plate on the door. NOTE : Armature plate should be mounted so that it pivots freely about its center to compensate for door wear and misalignment.
- C. All other screws must be fastened tightly. NOTE : Nylok(or Loctite) should be used whenever possible.

1. Typical installation of magnet on door header(frame).



1. Typical installation of armature plate(door).



*Important : Fix the armature plate not too tightly, and make the rubber washer more flexible, in order to make the armature plate automatically