

### KEY

B = LEFT LATERAL SHEET / hoja lateral izquierda / Panneau latérale gauche  
 C = LEFT MIDDLE SHEET / hoja central izquierda / Panneau centre gauche  
 D = RIGHT MIDDLE SHEET / hoja central derecha / Panneau centre droite  
 G = RIGHT LATERAL SHEET / hoja lateral derecha / Panneau latérale droite  
 F = FIXED SHEET / hoja fija / Panneau Fixe  
 S = AMOUNT PANEL WILL EXTEND INTO OPENING TO ALLOW FOR HANDLE OR LOCK CLEARANCE / Medida que sobresale de la puerta para la cerradura o tirador  
 LSC= LONG SIDE COVER / Tapeta lateral larga / Longue couvercle latéral  
 SSC= SHORT SIDE COVER / Tapera lateral corta / Court couvercle latéral

### OVERLAP / Solapado / Sournois

$$B = G$$

$$C = B + S \quad D = B + S$$

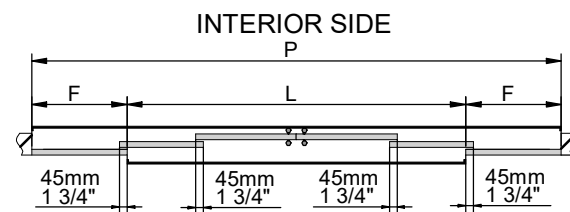
$$F = B + 30\text{mm} \quad F = B + 3/8"$$

### LEVELED / Enrasado / Arasé

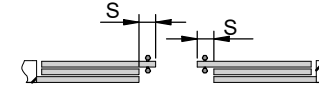
$$B = C = D = G$$

$$F = B + 30\text{mm} \quad F = B + 3/8"$$

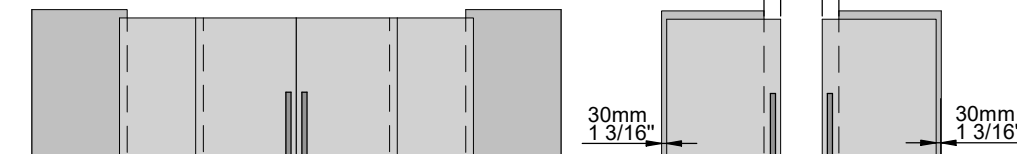
### OVERLAP ASSEMBLY Instalación solapada Mountage Sournois



S = OVERLAP WHEN OPEN



### EXTERIOR SIDE



### GLASS CALCULATION Cálculo vidrio Calcul verre

$$C = B + S$$

$$D = C$$

$$G = B$$

$$F = B + 30\text{mm}$$

$$FG \text{ (Fixed glass width)} = F - 3\text{mm}$$

$$L = P - 2F$$

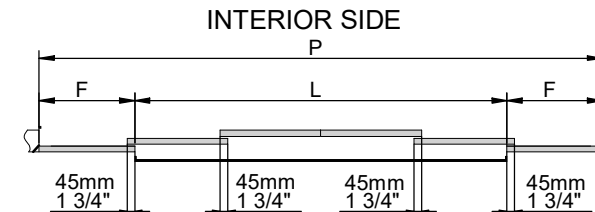
$$B = \frac{P + 120 - 2S}{6} \quad A = H - 88$$

$$B = \frac{L - 2S}{4} + 45$$

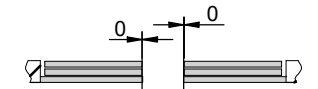
$$E = H - 74\text{mm}$$

$$E = H - 2 \frac{7}{8}"$$

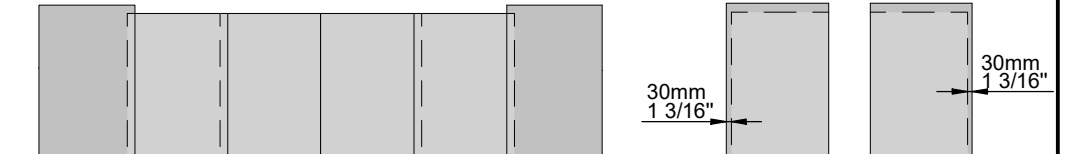
### LEVELED ASSEMBLY Instalación enrasada Mountage arasé



LEVELED WHEN OPEN



### EXTERIOR SIDE



### GLASS CALCULATION Cálculo vidrio Calcul verre

$$C = B$$

$$D = B$$

$$G = B$$

$$F = B + 30\text{mm}$$

$$FG \text{ (Fixed glass width)} = F - 3\text{mm}$$

$$L = P - 2F$$

$$B = \frac{P + 120}{6} \quad A = H - 88$$

$$B = \frac{L}{4} + 45$$

$$E = H - 74\text{mm}$$

$$E = H - 2 \frac{7}{8}"$$

$$C = B + S$$

$$D = C$$

$$G = B$$

$$F = B + 1 \frac{3}{16}"$$

$$FG \text{ (Fixed glass width)} = F - 1/8"$$

$$L = P - 2F$$

$$\text{Clear opening width} = L - S$$

$$B = \frac{P + 4 \frac{3}{4}" - 2S}{6} \quad A = H - 3 \frac{7}{16}"$$

$$B = \frac{L - 2S}{4} + 1 \frac{3}{4}"$$

$$E = H - 74\text{mm}$$

$$E = H - 2 \frac{7}{8}"$$

$$C = B$$

$$D = B$$

$$G = B$$

$$F = D + 1 \frac{3}{16}"$$

$$FG \text{ (Fixed glass width)} = F - 1/8"$$

$$L = P - 2F$$

$$\text{Clear opening width} = L$$

$$B = \frac{P + 4 \frac{3}{4}" - 2S}{6} \quad A = H - 3 \frac{7}{16}"$$

$$B = \frac{L}{4} + 1 \frac{3}{4}"$$

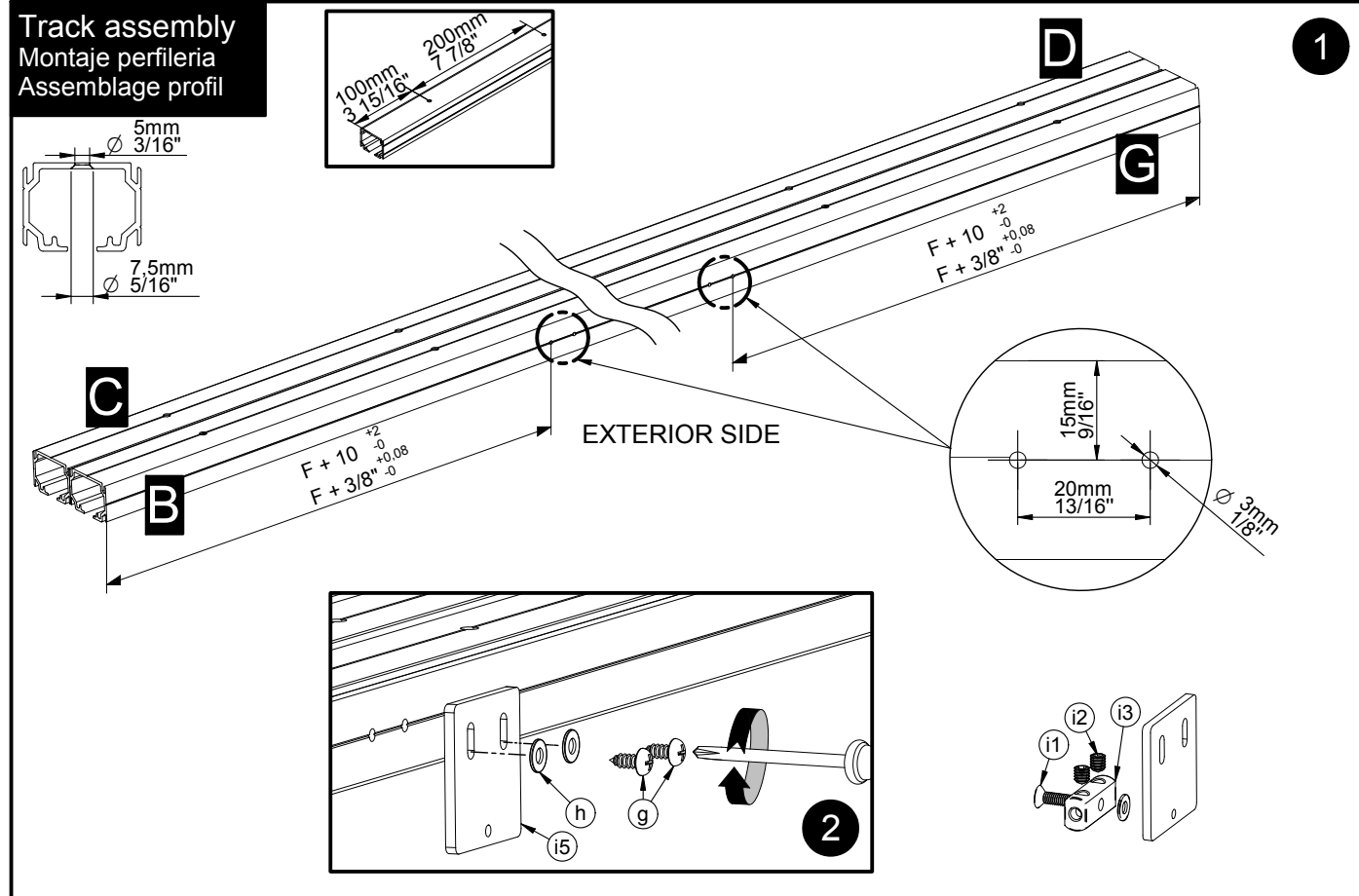
$$E = H - 74\text{mm}$$

$$E = H - 2 \frac{7}{8}"$$

038060195

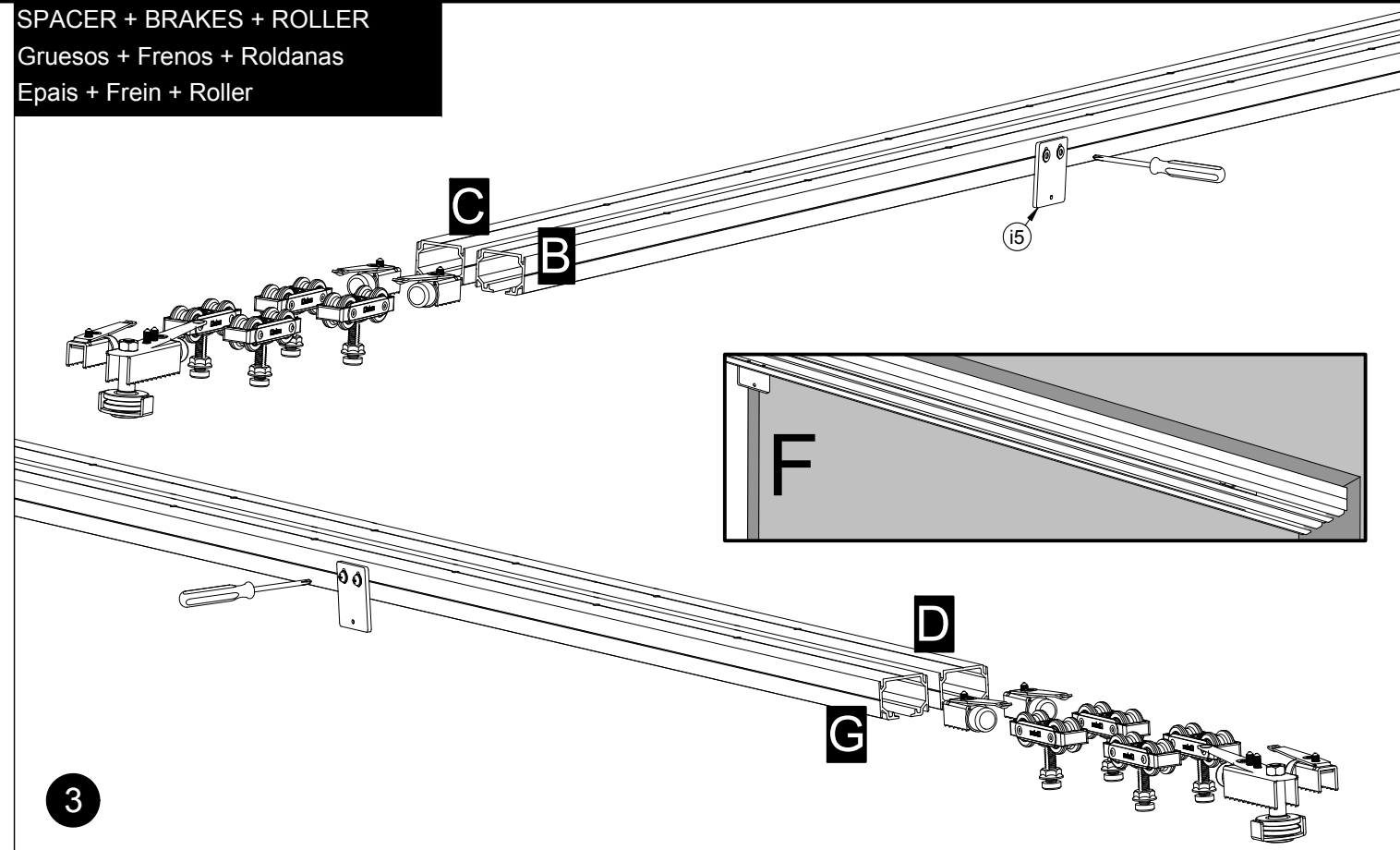
AVDB3135\_01/23

**Track assembly**  
Montaje perfilera  
Assemblage profil

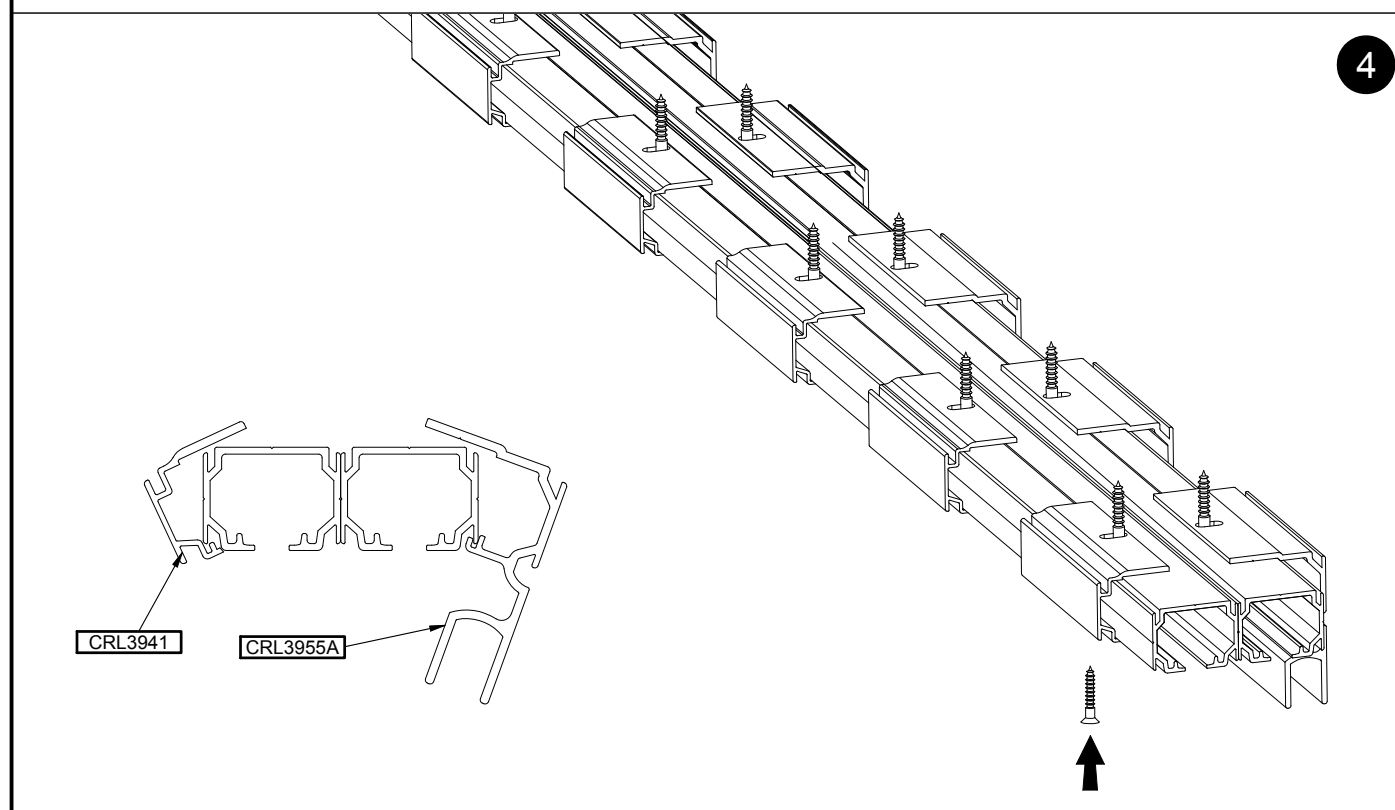


**1**

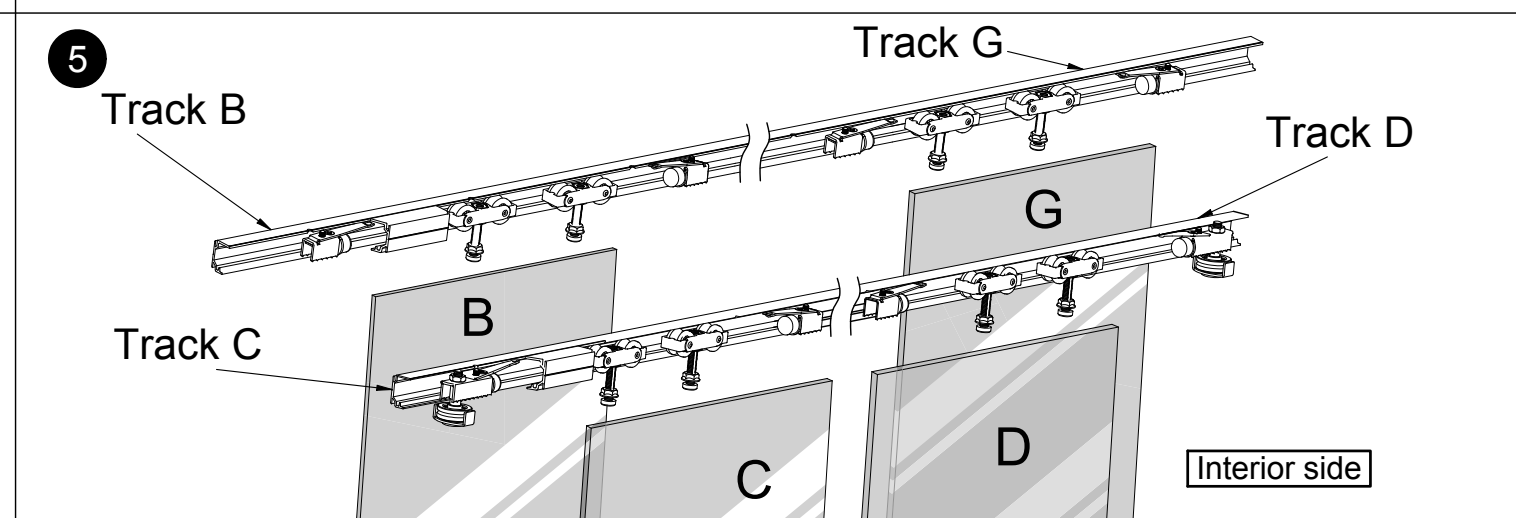
**SPACER + BRAKES + ROLLER**  
Gruesos + Frenos + Roldanas  
Epais + Frein + Roller



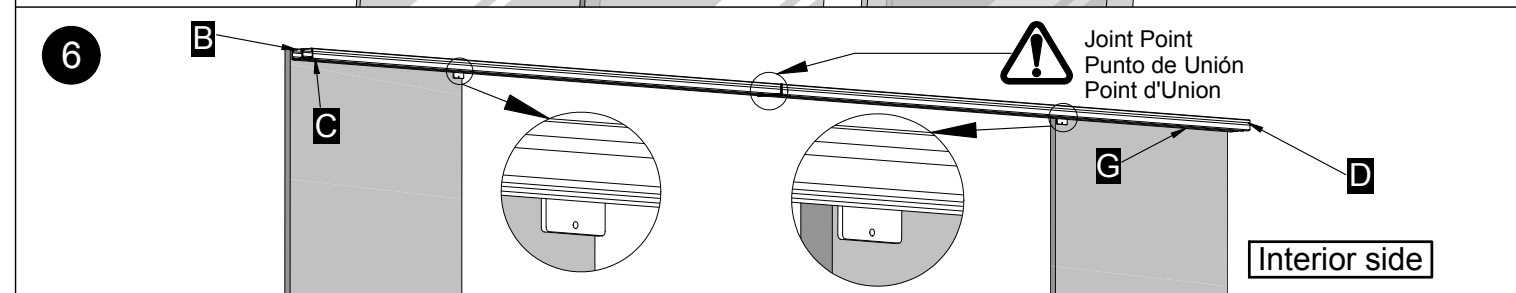
**3**



**4**



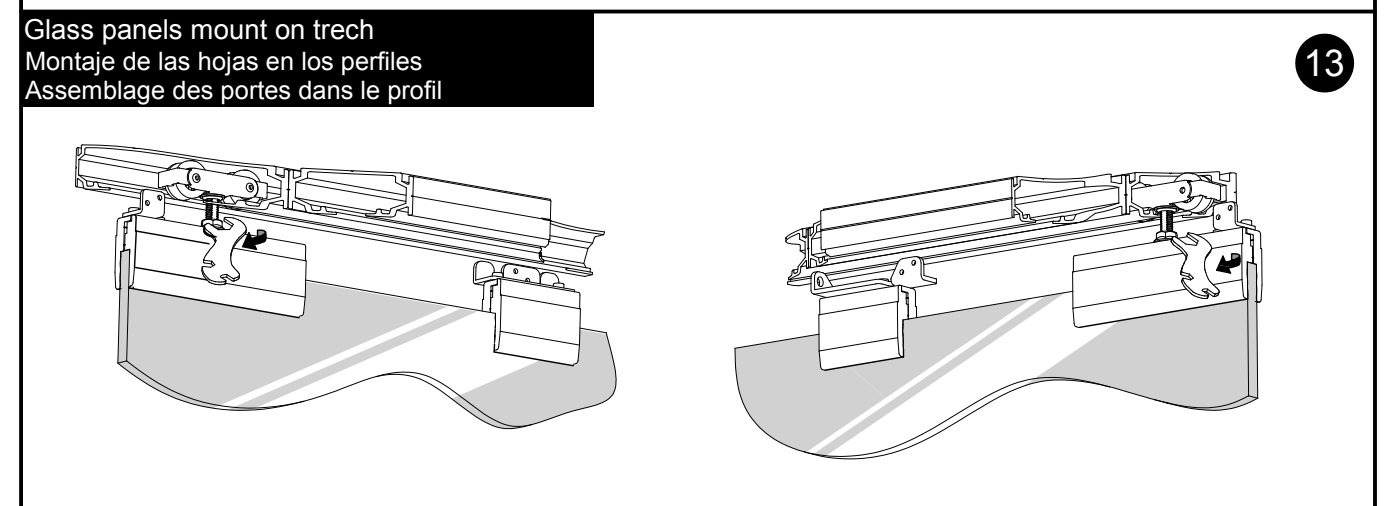
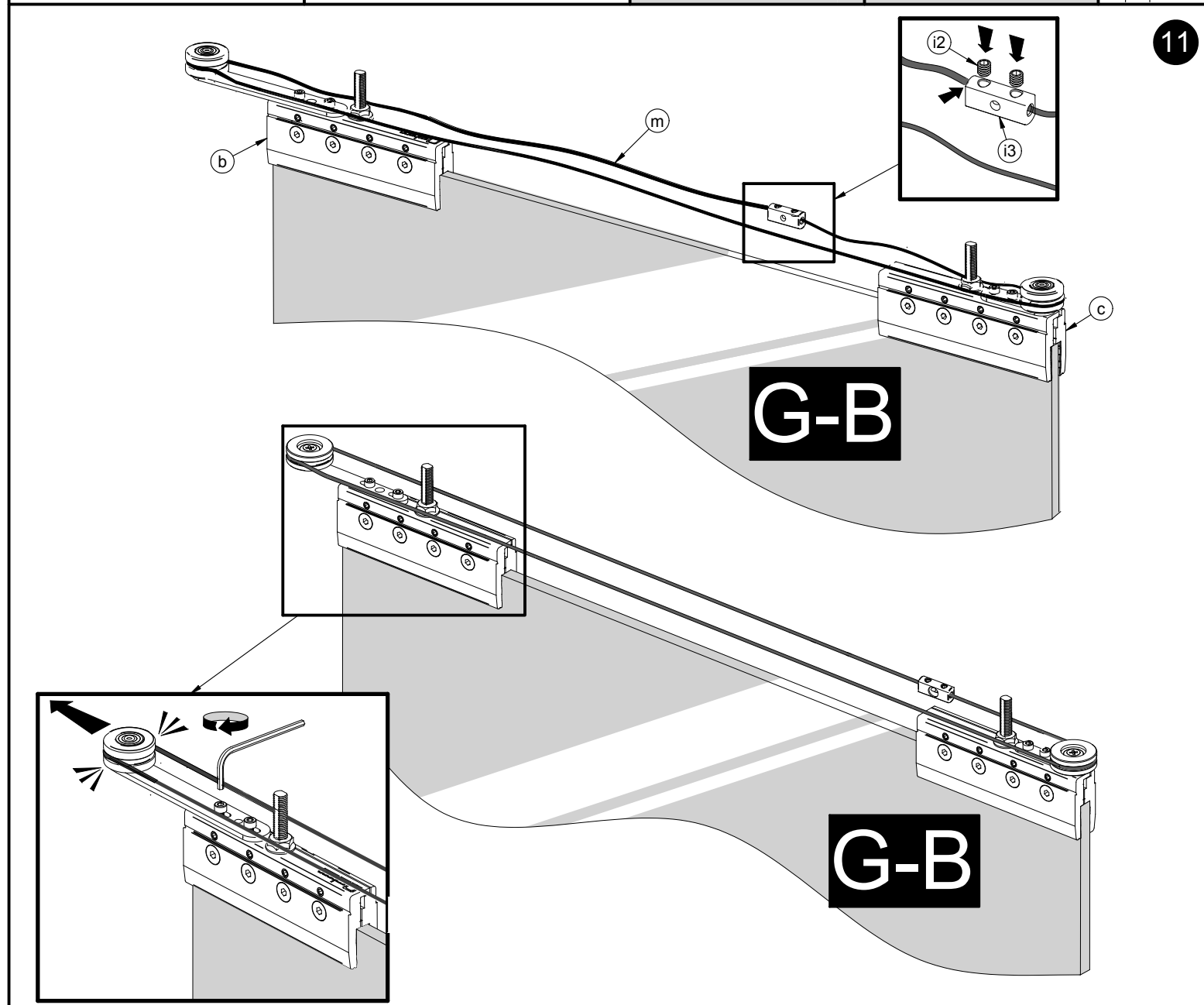
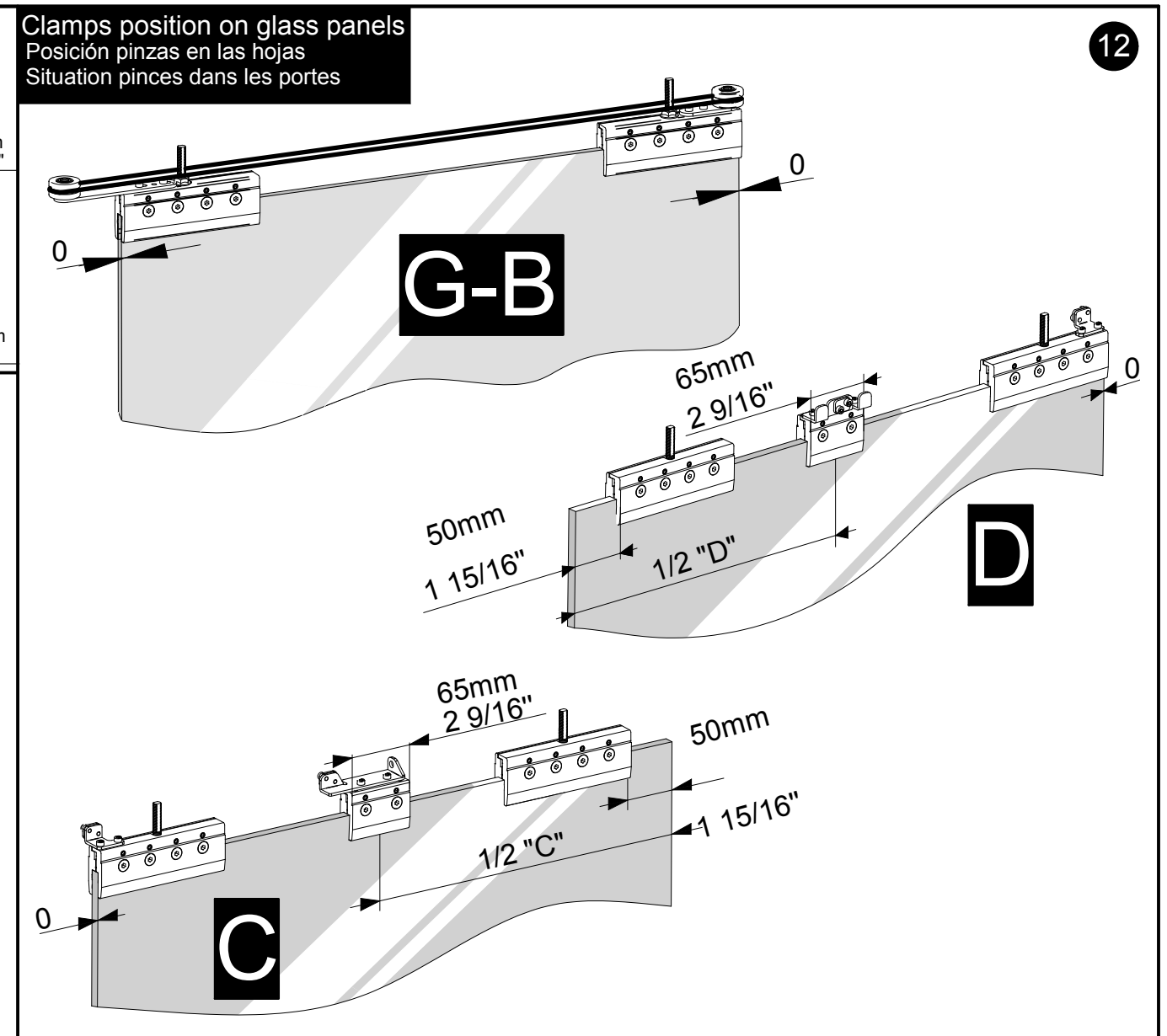
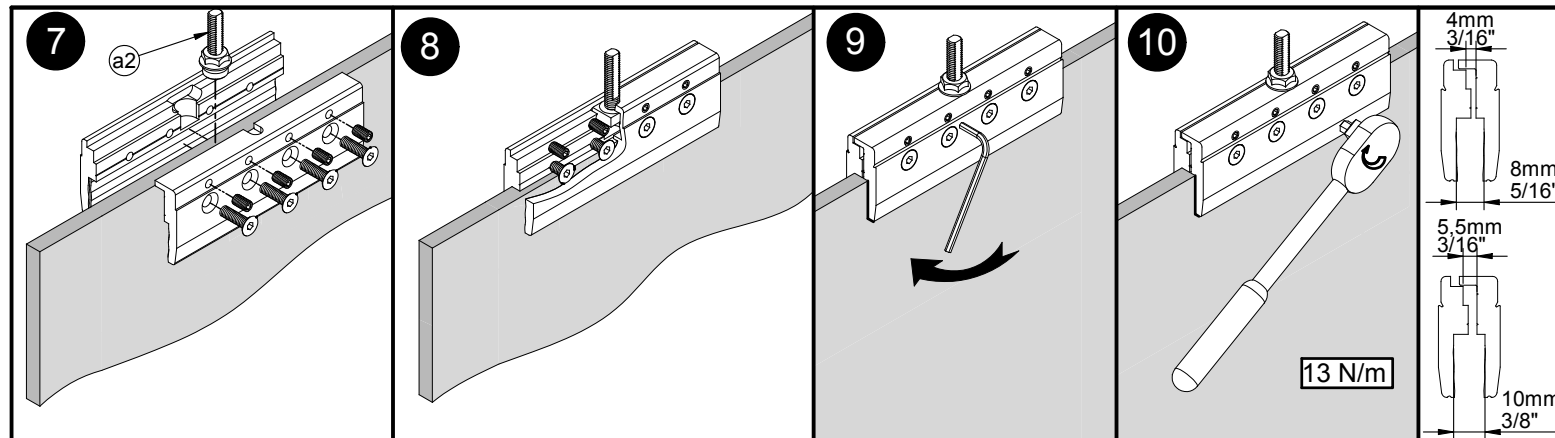
**5**



**6**

038060195

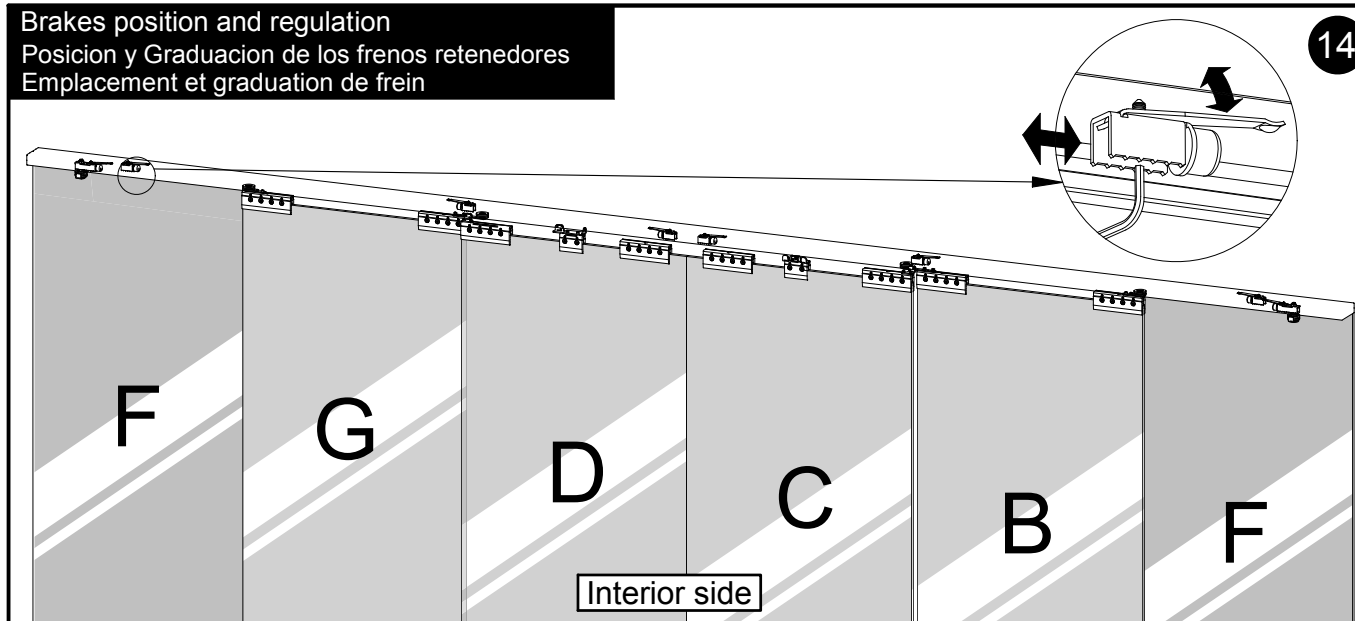
AVDB3135\_01/23



038060195

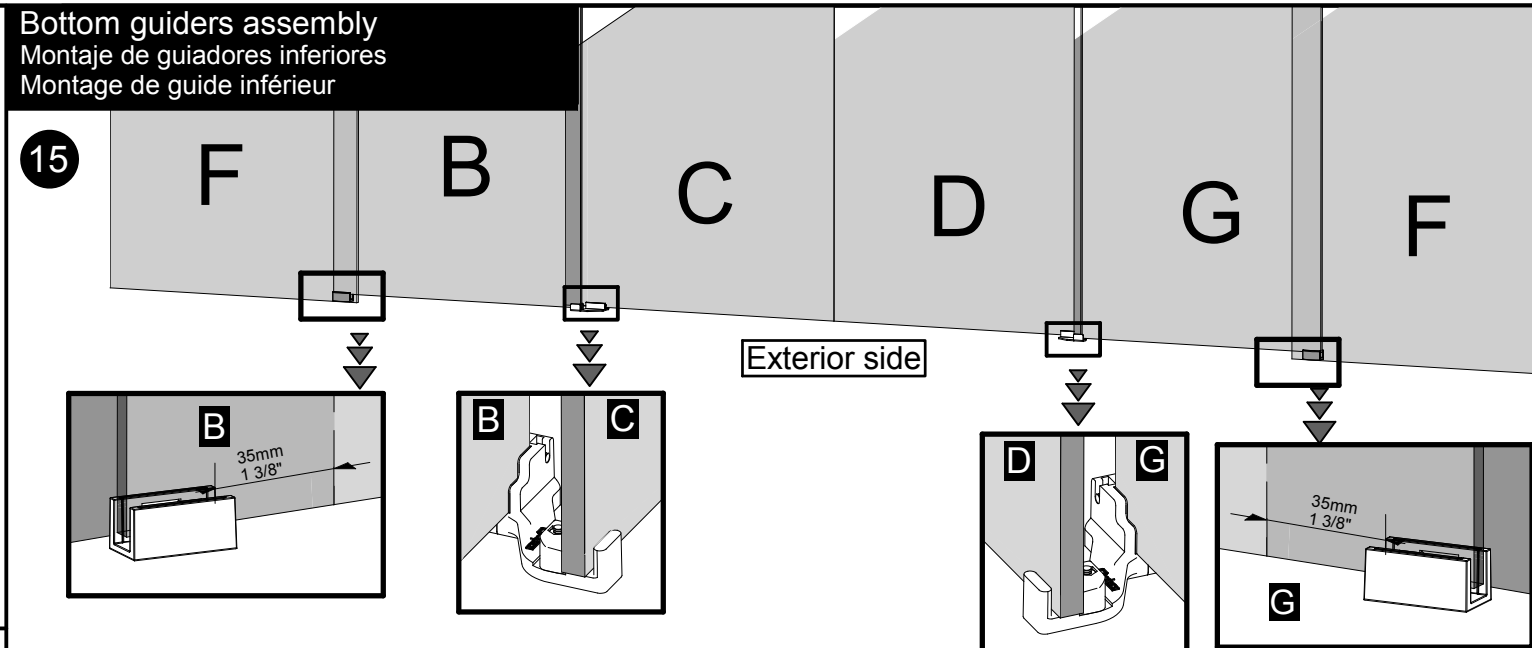
AVDB3135\_01/23

**Brakes position and regulation**  
Posición y Graduación de los frenos retenedores  
Emplacement et graduation de frein



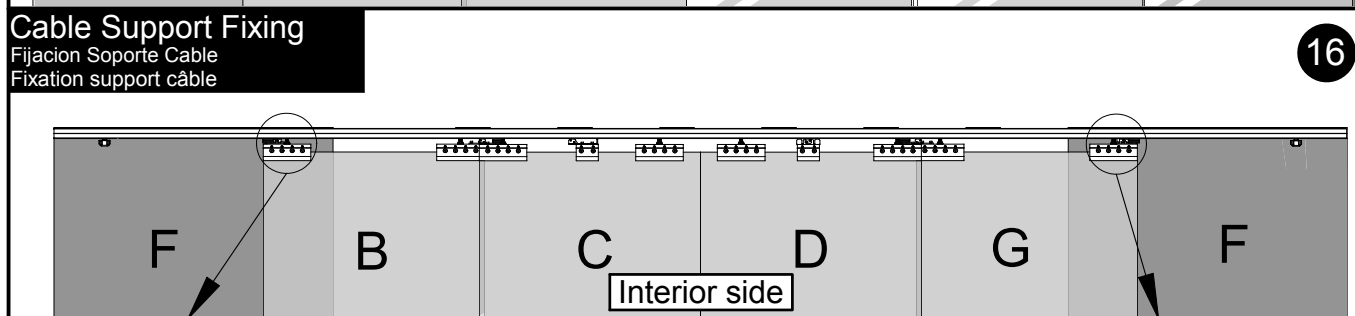
14

**Bottom guiders assembly**  
Montaje de guidores inferiores  
Montage de guide inférieur

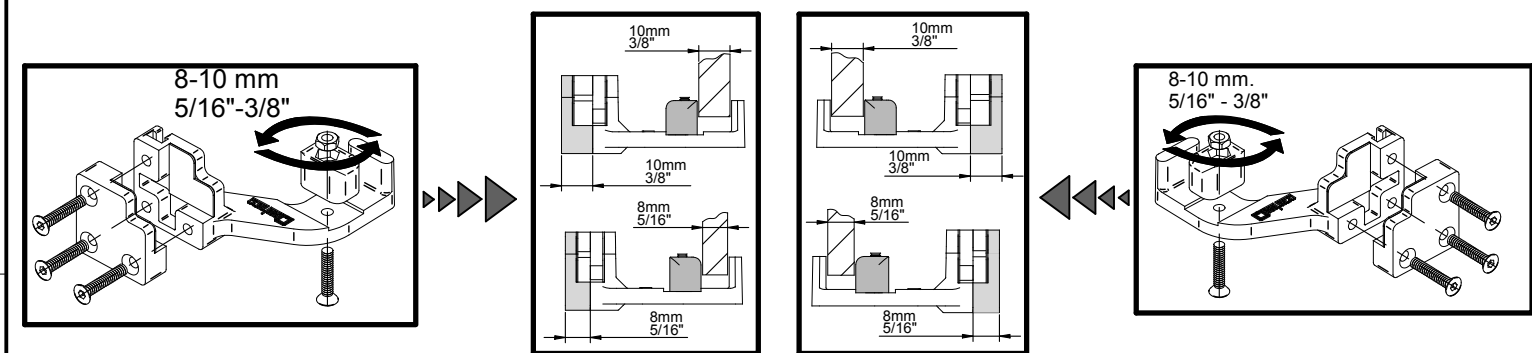


15

**Cable Support Fixing**  
Fijación Soporte Cable  
Fixation support câble

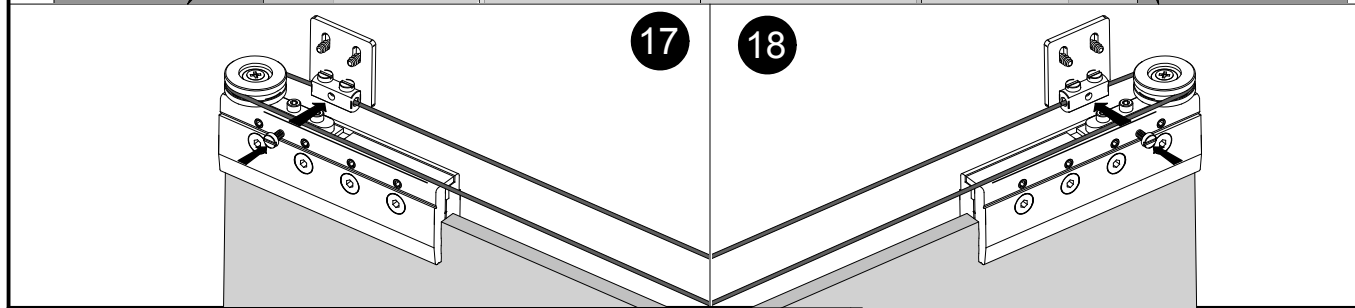


16

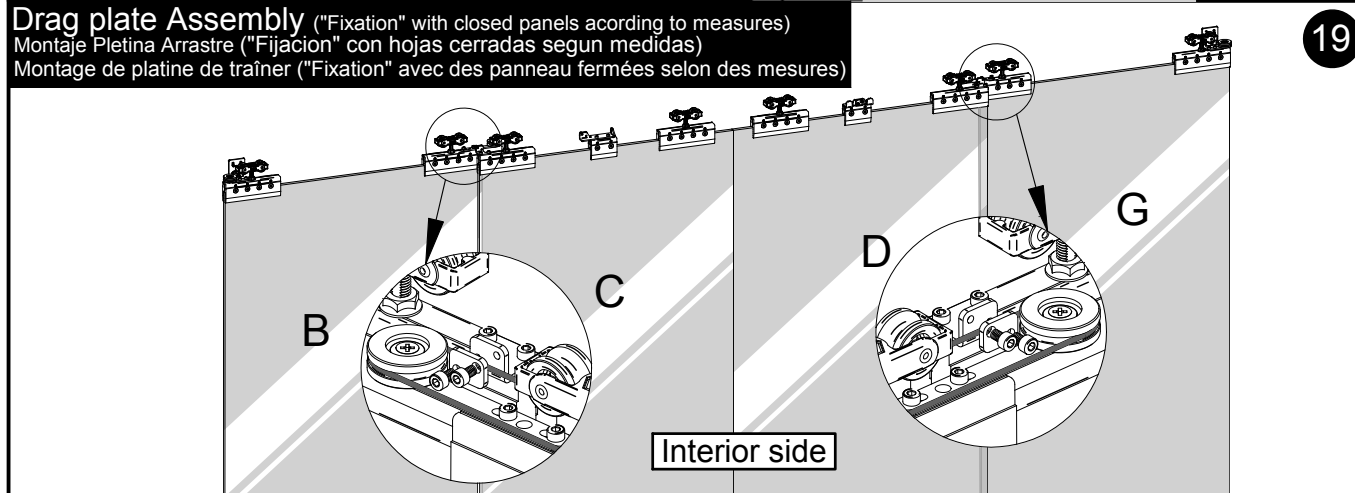


17

18

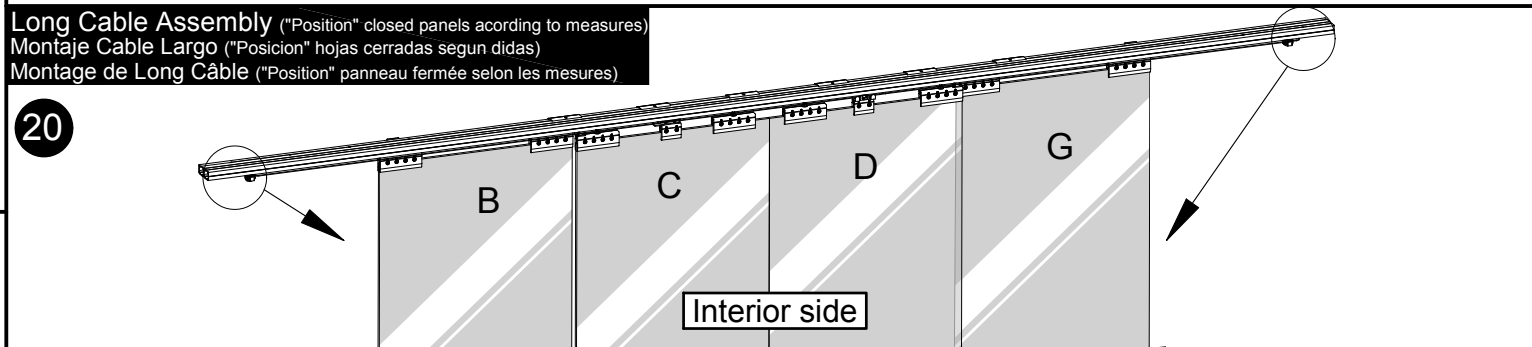


**Drag plate Assembly** ("Fixation" with closed panels according to measures)  
Montaje Pletina Arrastre ("Fijación" con hojas cerradas según medidas)  
Montage de platine de traîner ("Fixation" avec des panneaux fermés selon des mesures)

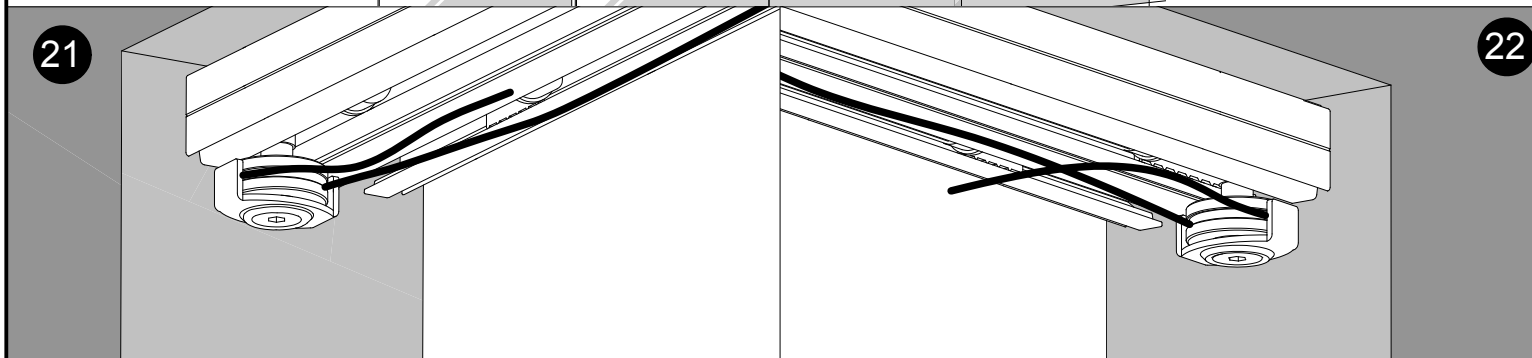


19

**Long Cable Assembly** ("Position" closed panels according to measures)  
Montaje Cable Largo ("Posición" hojas cerradas según medidas)  
Montage de Long Câble ("Position" panneau fermée selon les mesures)



20

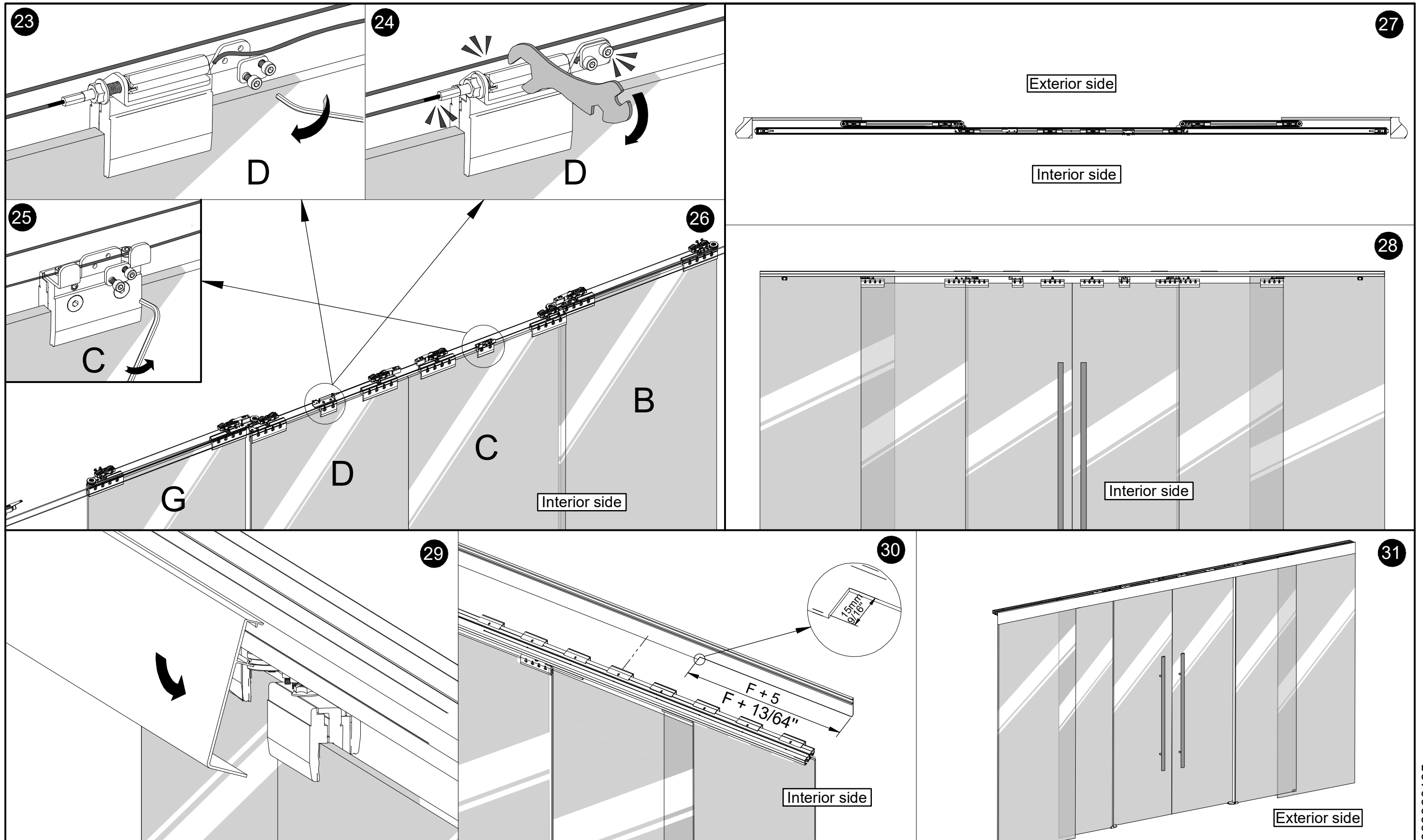


21

22

038060195

AVDB3135\_01/23



038060195

AVDB3135\_01/23