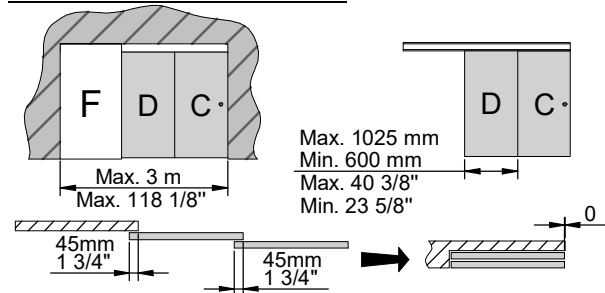


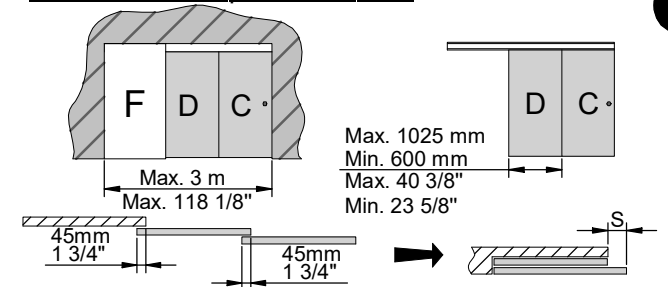
### LEVELED/ Enrasado / Arasé



### KEY

C = LEFT SHEET / Hoja izquierda / Panneau gauche  
 D = CENTRAL SHEET / Hoja central / Panneau centrale  
 G = RIGHT SHEET / Hoja derecha / Panneau droite  
 F = FIXED SHEET / Hoja fija / Panneau Fixe  
 S = AMOUNT PANEL WILL EXTEND INTO OPENING TO ALLOW FOR HANDLE OR LOCK CLEARANCE / Medida que sobresale de la puerta para la cerradura o tirador  
 LSC= LONG SIDE COVER / Tapeta lateral larga / Longue couvercle latéral  
 SSC= SHORT SIDE COVER / Tapeta lateral corta / Court couvercle latéral

### OVERLAP / Solapado / Sournois

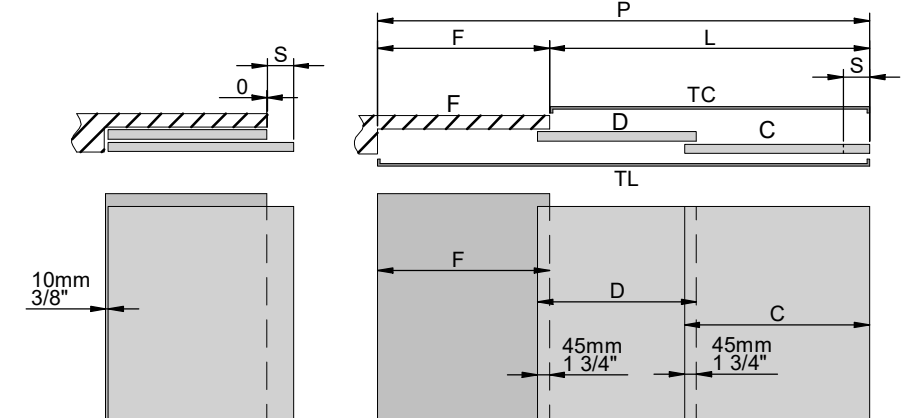
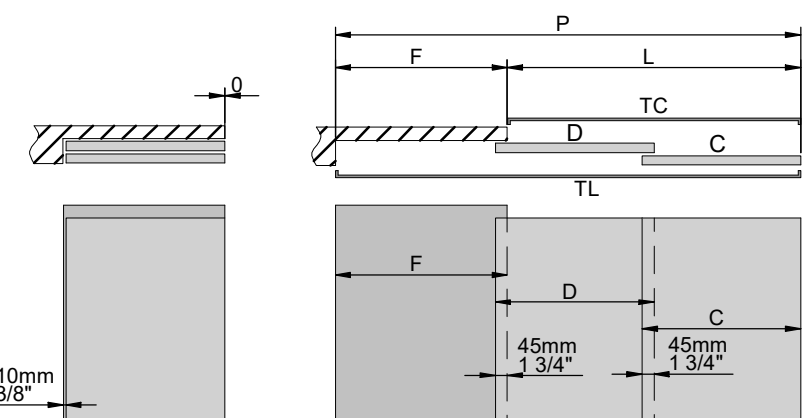


### LEVELED ASSEMBLY Instalación enrasada Montage arasé

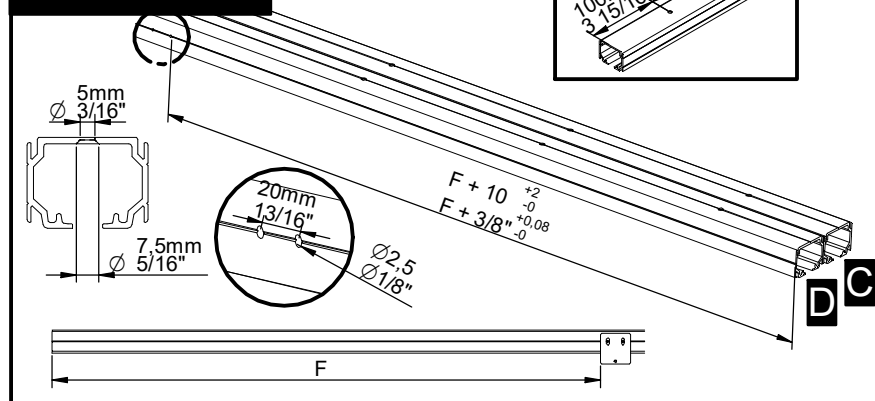
$C = D$ $F = D + 10$ $FG \text{ (Fixed glass width)} = F - 3\text{mm}$ $L = P - F$	$D = \frac{P + 80}{3}$	$A = H - 88$ $TC = L$ $TL = P$	mm
$C = D$ $F = D + 3/8"$ $FG \text{ (Fixed glass width)} = F - 1/8"$ $L = P - F$ Clear opening width = L	$D = \frac{P + 3 \frac{1}{8}"}{3}$	$A = H - 3 \frac{7}{16}"$ $TC = L$ $TL = P$	inches

### OVERLAP ASSEMBLY Instalación solapada Montage Sournois

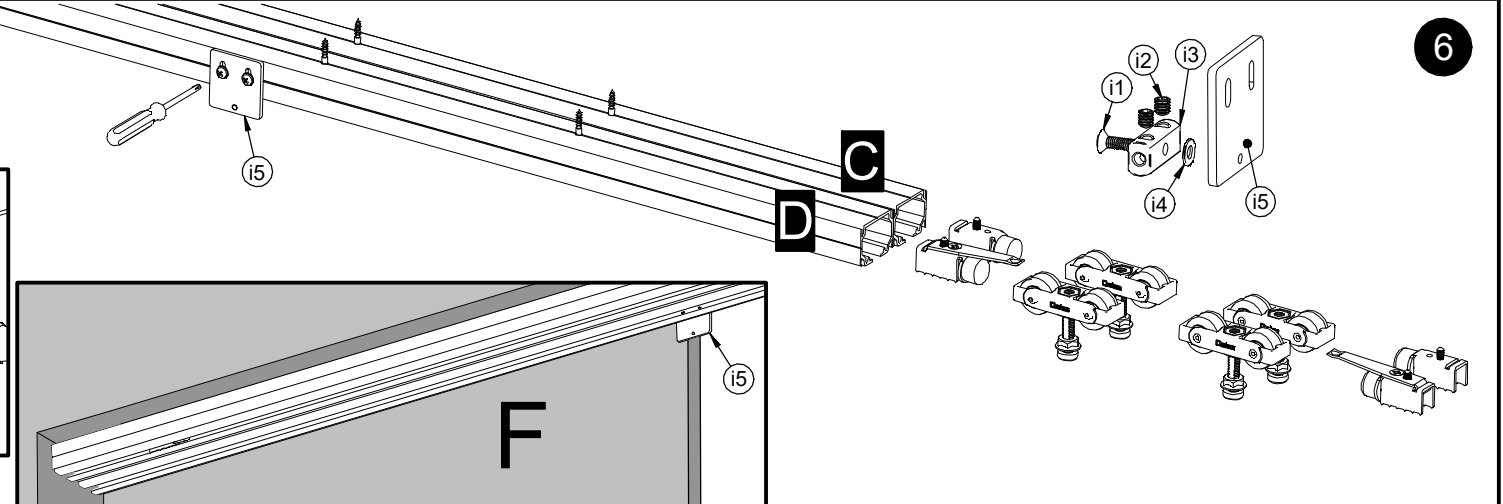
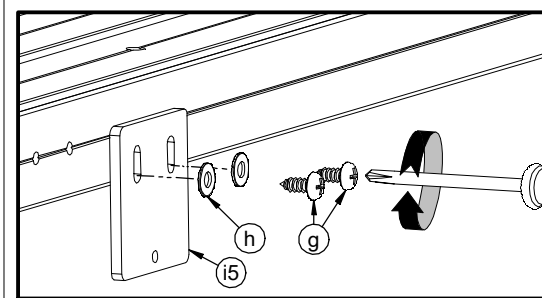
$C = D + S$ $F = D + 10$ $FG \text{ (Fixed glass width)} = F - 3\text{mm}$ $L = P - F$	$D = \frac{P + 80 - S}{3}$	$A = H - 88$ $TC = L$ $TL = P$	mm
$C = D + S$ $F = D + 3/8"$ $FG \text{ (Fixed glass width)} = F - 1/8"$ $L = P - F$ Clear opening width = L - S	$D = \frac{P + 3 \frac{1}{8} - S}{3}$	$A = H - 3 \frac{7}{16}"$ $TC = L$ $TL = P$	inches



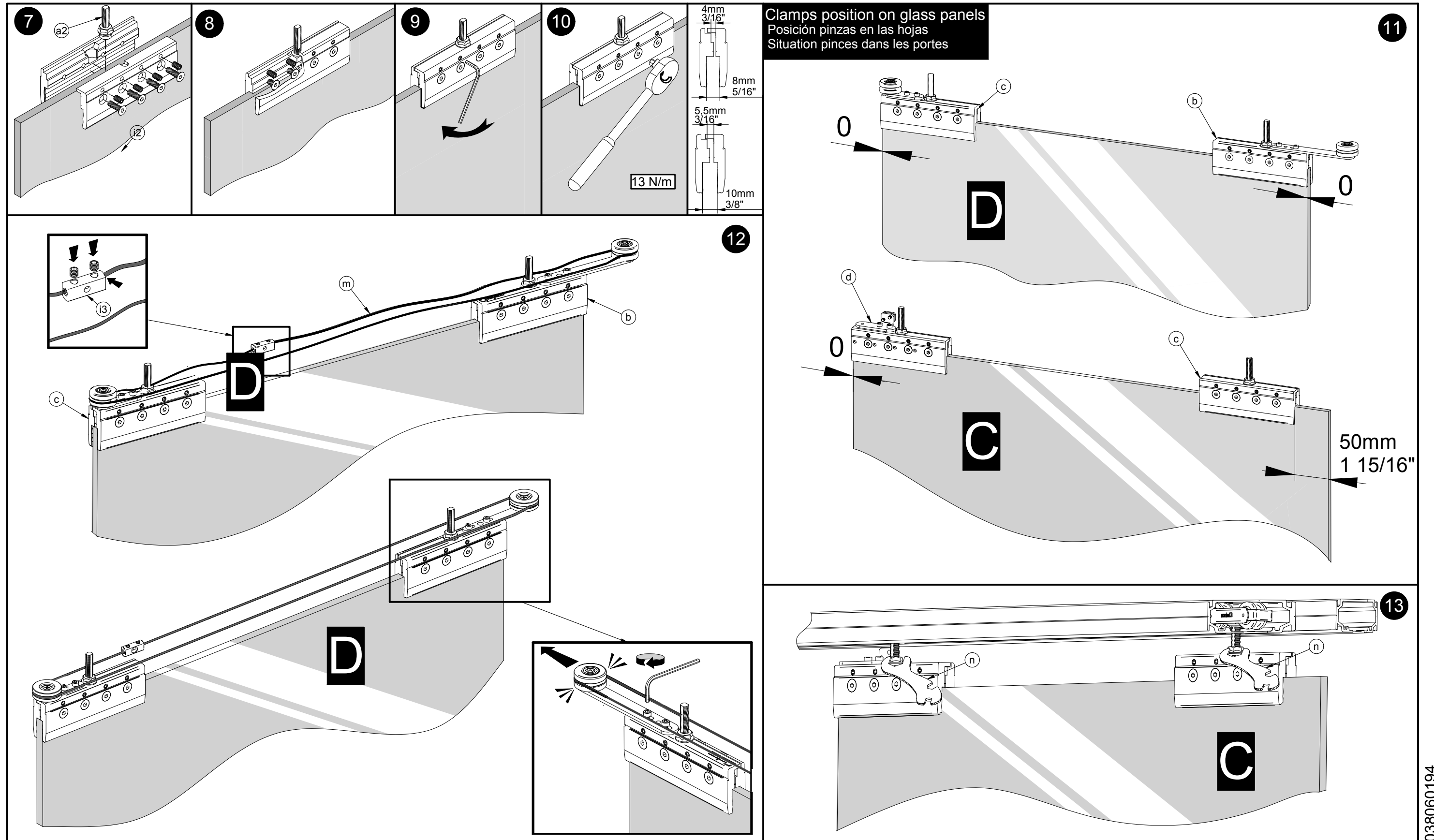
### Track assembly Montaje perfilera Assemblage profil



### SPACER + BRAKES + ROLLER Gruesos + Frenos + Roldanas Epais + Frein + Roller

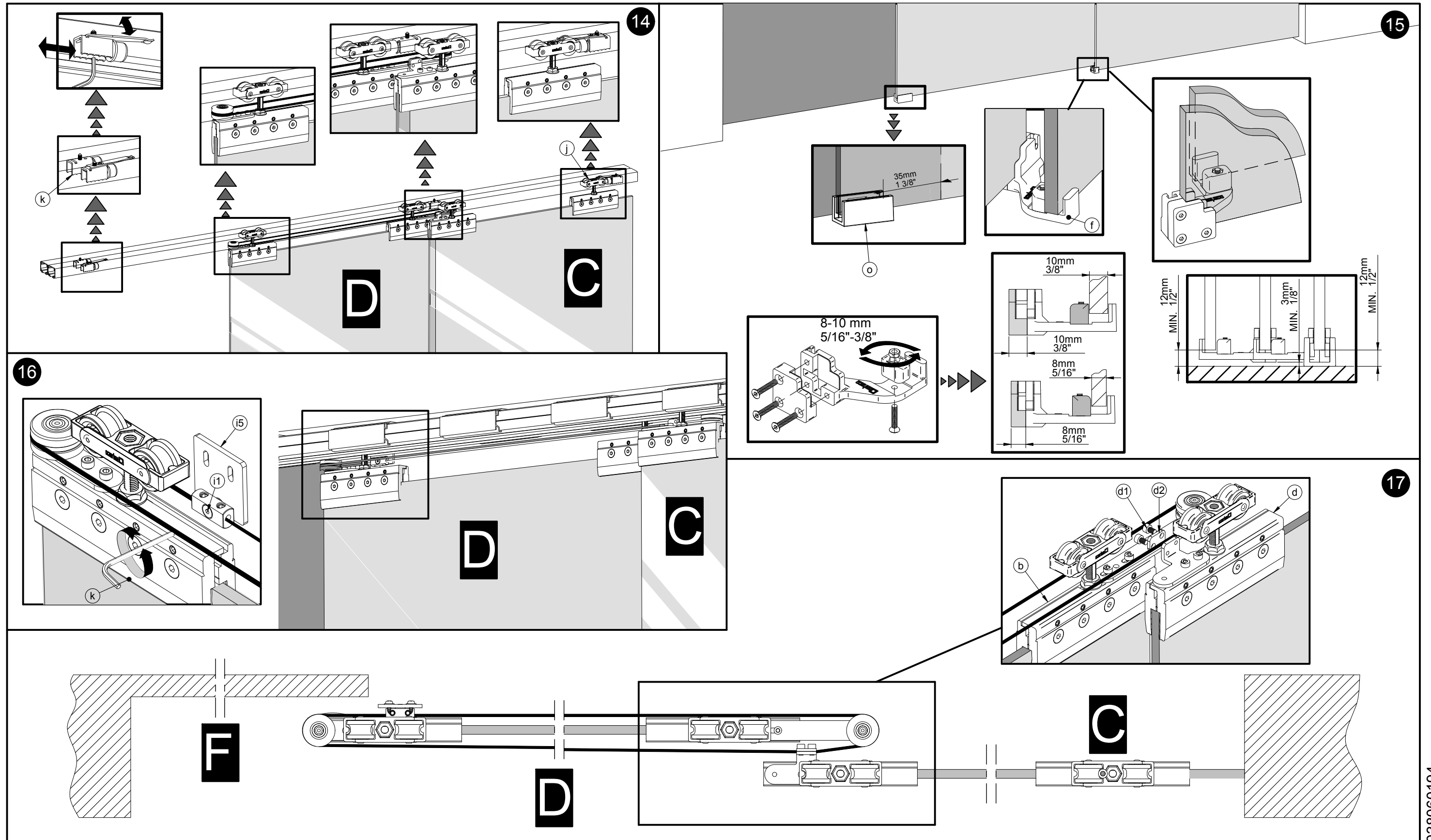


038060194



038060194

AVDB0000\_01/23

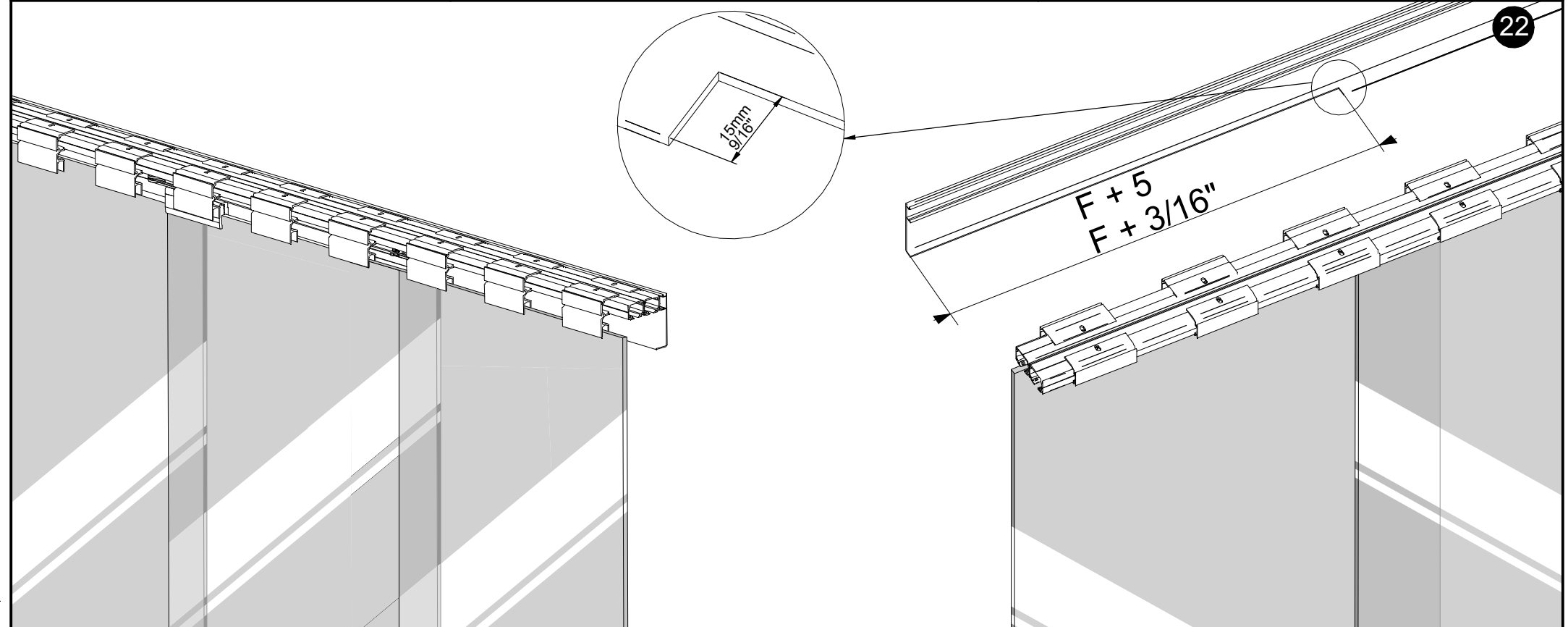
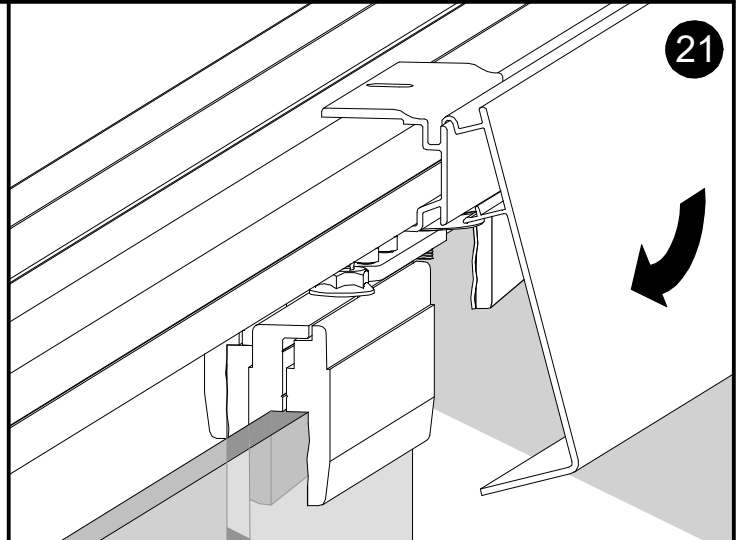
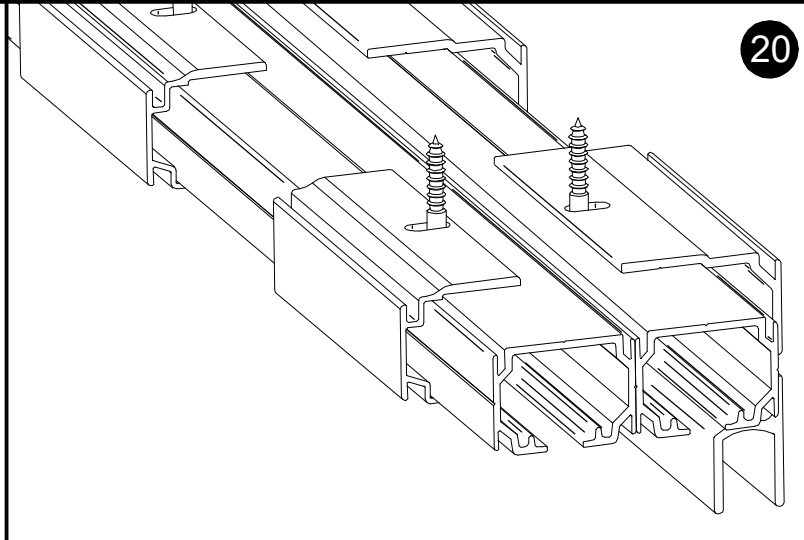
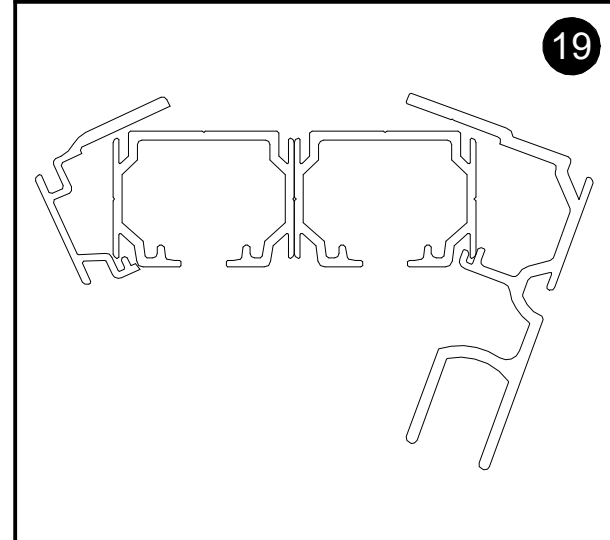
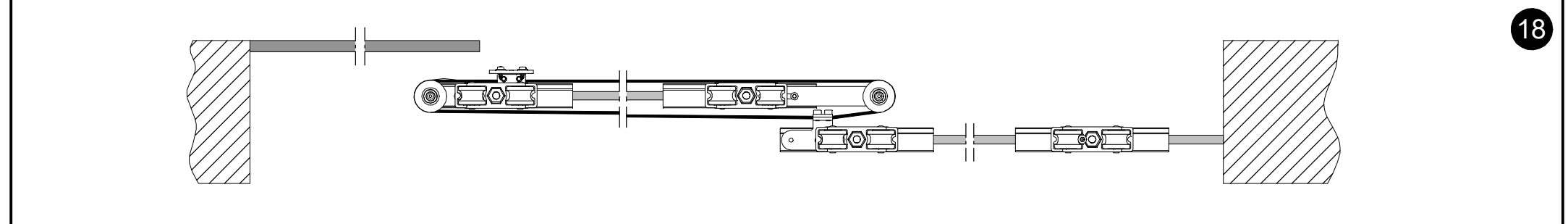
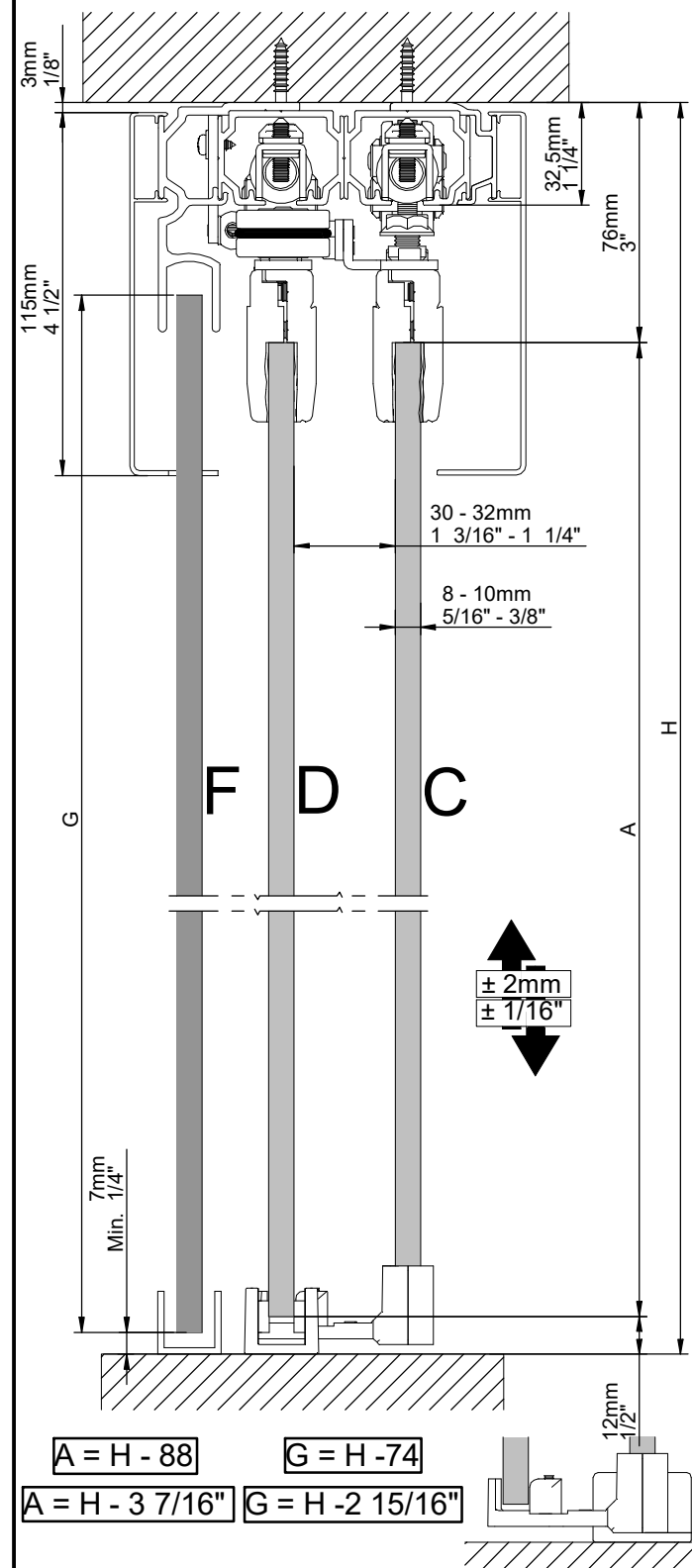


038060194

AVDB0000\_01/23

Assembly with fixed glass  
Montaje a vidrio fijo  
Montage avec verre fixe

CRL501 CP2L



038060194

AVDB0000\_01/23