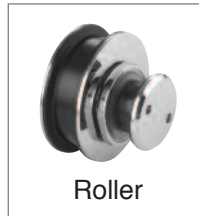


**CRL CAMBRIDGE SERIES
BYPASS SLIDING SHOWER DOOR KIT
CAT. NO. CAM73**

180 DEGREE KIT INSTALLATION INSTRUCTIONS

STANDARD CAM73 180 DEGREE KIT INCLUDES:

- (8) - Rollers
- (1) - 73" (1854 mm) Length Header Bar
- (2) - Track Holder Fittings for Wall
- (2) - 80" (2032 mm) L-Jambs
- (1) - Door Guide
- (2) - 40" (1016 mm) Bottom Sweeps with Drip Rail
- (2) - Stoppers
- (1) - Tool Kit
- (2) - 24" (610 mm) Single-Sided Towel Bars



**CRL CAMBRIDGE SERIES
BYPASS SLIDING SHOWER DOOR KIT
CAT. NO. CAM73**

- 1) The Header Bar is positioned exactly in the middle of the two door panels. The Header Bar is generally mounted over the center of the threshold below. Note: Due to the extremely smooth nature of the Rollers, the Header Bar must be installed level. Failure to do so could result in sliding doors that roll to one side by themselves.
- 2) To locate the Wall Mount Bracket on the vertical walls, take the intended overall height of the unit and deduct 4-7/8" (124 mm). This figure will represent the height location from the curb to the bottom of the Track Holder Fitting for the wall. Drill the holes and mount a Track Holder Fitting to each side wall.
- 3) Cut the Header Bar 1/2" (12 mm) shorter than the wall-to-wall tight dimension. The Header Bar is made of stainless steel. Either a hand-held hacksaw or special cutting tool should be used.
- 4) Slide on the two Door Stoppers but do not tighten the set screws. The Stoppers should be positioned on the ends of the Header to which the back side of the sliding door will open. These are needed to stop the doors from opening too far.
- 5) Set the Header Bar in the Wall Mount Bracket on both sides. Slide the cover plate on and tighten the set screws on the top. The set screws on the bottom are used to adjust the height of the Header Bar if needed.
- 6) Attach two Rollers in the top holes of each sliding door glass. The Rollers should be adjusted to the center of their "out-of-round" position. This allows for adjusting the Rollers more easily if needed.
- 7) Cut Bottom Sweeps to size and install on the bottom of the doors.
- 8) Carefully hang each of the sliding doors on top of the Header Bar. Slowly slide each door to check for the correct fit, and adjust the Rollers if needed.
- 9) With the sliding doors hanging on the Header Bar and in the closed position, place the Bottom Guide to the desired position on the threshold. Mark the base/curb by outlining around the Bottom Guide. Remove the doors and carefully set aside. Mount the Bottom Guide.
- 10) Re-hang one door, placing the glass inside the Guide. Repeat for the second door.
- 11) Fasten the lower set of Rollers to the glass, adjusting them up until they make contact with the bottom of the Header Bar. Permanently tighten the Rollers in place.
- 12) Move the doors to their maximum open position. Move the Door Stoppers over and tighten the set screws.
- 13) Attach Towel Bars to the doors.
- 14) A L-Jamb must be used on each wall to prevent the sliding door glass from running into the tile/stone. Cut the L-Jamb to height from the base/curb to the top of the sliding door glass. Gently close the doors to the wall using CRL AT0401436 Double-Sided Transparent Tape (not included), and using the sliding doors as a guide, install the L-Jamb on the wall. After taping the L-Jamb to the wall, run a bead of RTV408 Silicone sealant on the inside and outside of the Jamb to assure it doesn't come loose over time. This has to be done for both sides.
- 15) Allow 24 hours for silicone to cure before using shower.

SPECIFICATIONS:

- Overall Width = Wall-to-wall distance
- Overall Height = Height from curb to top of glass
- Glass panels extend 2-3/4" (70 mm) above top of the Header
- Header height is 2" (51 mm)
- Gap between sliding glass panels is 1-3/4" (44 mm)
- Sliding glass height formula is based on using a 3/8" (10 mm) standard deduction for Bottom Sweeps

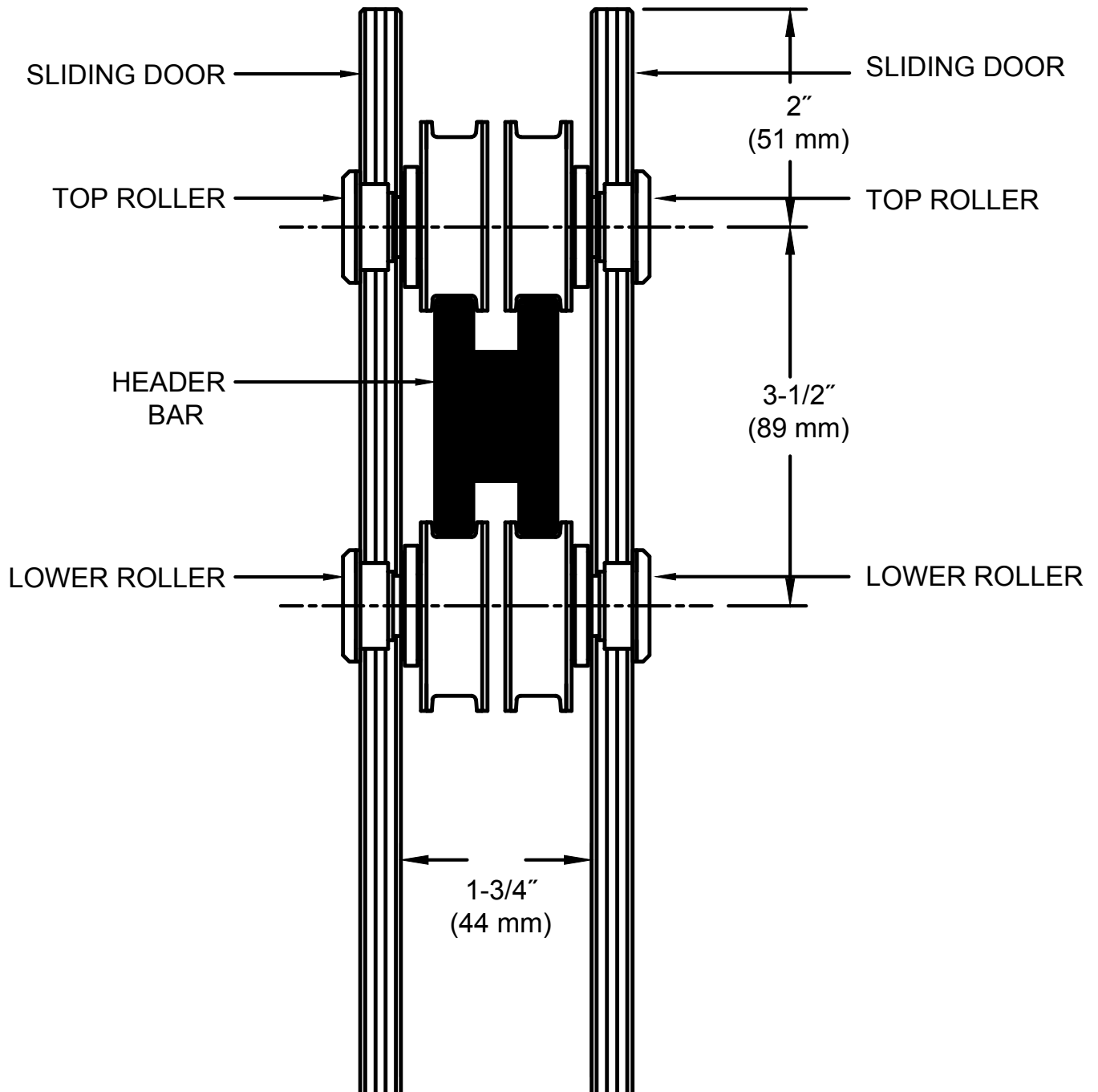
METAL SIZE CUTTING FORMULA:

Header = Overall width measurement minus 1/2" (12 mm)

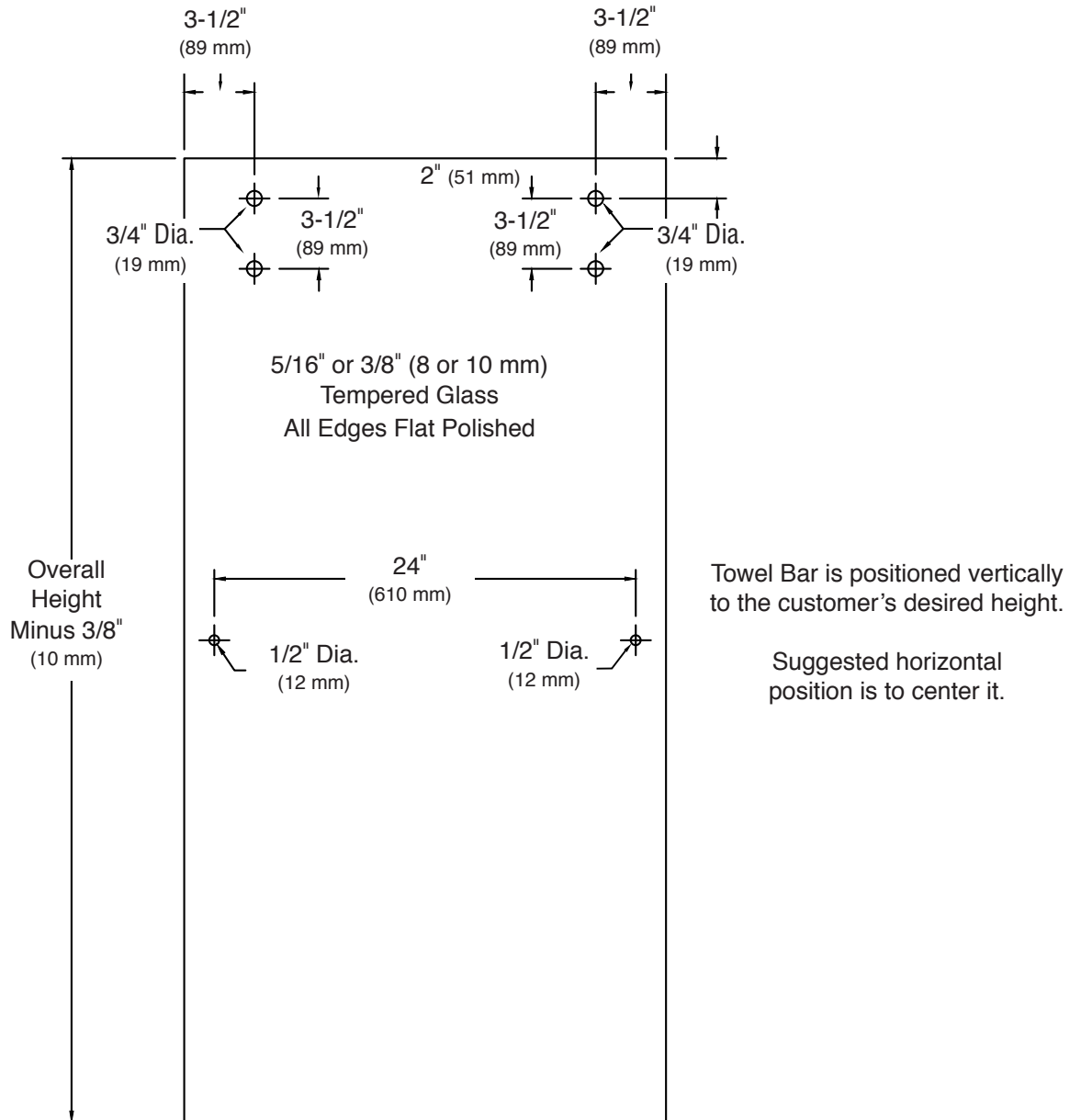
GLASS SIZE CUTTING FORMULA:

- Width of sliding doors =
Overall width divided by 2, plus 1" (25 mm)
- Height of sliding doors =
Overall height minus 3/8" (10 mm)*
- * Reminder - Overall height is determined from curb to top of glass
- BMNW24 Towel Bars are positioned vertically to the desired height, 24" center-to-center with 1/2" diameter holes

**CRL CAMBRIDGE SERIES
BYPASS SLIDING SHOWER DOOR KIT
CAT. NO. CAM73**



**CRL CAMBRIDGE SERIES
BYPASS SLIDING SHOWER DOOR KIT
CAT. NO. CAM73**



NOTE: Repeat hole fabrication for second sliding door.

