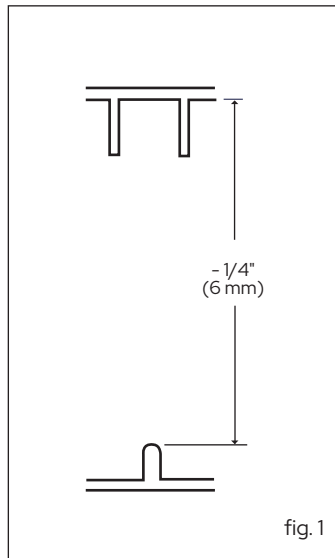


THE CRL "KDEX20" SLIDING SCREEN DOOR KIT

1. Determine the door height by measuring from the top of the screen door roller track on the bottom sill, to the inside of the screen door top channel (as shown in the diagram to the right). Deduct 1/4" from this height (see fig. 1).



2. The new kit has top and bottom rails 1/2" (12.7 mm) longer than the standard door width (a 36" door will measure 36-1/2" wide). Also, the door roller slot has been widened 1/2". This allows the door width to be adjusted from 36-1/2" to 35-1/2". It is important to remember that both ends of the door rails should be cut no more than 1/2".



3. Locate the door stile with handle punch. The inside handle has a vertical latch slide and is mounted opposite of the spline side. When the door is installed the door face with the spline groove will always face to the outside.

4. If either the 81" or 96" tall door stiles need to be cut down to fit your opening, you should consider your handle height preference. All handles are centered on the door stile when the door stiles are punched. Consider which direction your door will close. If you prefer to lower your handle height, cut the bottom portion of the door stile to obtain the necessary door height.

5. If you have to cut your door stiles down in height, you will need to re-drill the adjustment screw hole on the cut end of the stile. To do this, lay the stile on edge (spline side down). Using a 3/8" drill bit, drill a new hole 7/8" from the end of the stile. Only drill through the outer wall of the stile (see fig. 2).

6. Assemble door by slipping the door stiles onto the pre-installed corners on the top and bottom door rails (see fig. 3).

7. Lay the door frame on a flat surface with the spline groove facing up. Install screen using either serrated vinyl spline or foam core spline with a spline rolling tool. We prefer using .135" diameter for common 18 X 16 mesh fiberglass. Smaller spline diameters will be necessary if using the thicker pet screen or solar screens.



8. After the door is screened, install the outer black plastic pull (the pull which does not have the latch slide). Turn the door over and loosely install the inner handle. Slide the steel latch into the slot in the door edge. The latch should insert into the slide of the inner pull. Install the flat head screw through the slide and into the steel latch. Proceed to tighten the pull handle screws. Being careful not to over-tighten (see fig. 4).
9. Install the screen door into the glass door frame opening. It may be necessary to back the adjustment screws out so that the bottom rollers retract enough to clear the bottom screen track.
10. Slide the door toward the jamb and check the alignment. You can now adjust the rollers so that the door edge fits tightly against the jamb.



fig. 4

11. To mount the latch keeper, lift the latch slide upward and move the door close to the jamb, and make a small mark on the jamb aligned with the bottom of the steel latch. Install the keeper (open side pointed up) approximately 1/8" below the mark.
12. Close the door and slide the latch downward so that it engages the keeper.
13. To install the bug strip, start at the top and push the square portion of bug strip into the slot in the edge of the door. Note: the bug strip does not need to drag against the glass. If the bug strip flap is too wide, use scissors and snip a small slice into the bug strip and tear the excess strip off along the tear line in the bug strip extrusion. Re-insert the bug strip into the groove and continue downward until the entire bug strip has been installed. You may wish to trim the bug strip adjacent to the glass door frame to prevent it from dragging on the top and bottom aluminum frame portions.

To remove the door rollers from the top or bottom rails, tightly grasp the roller and carefully pull the roller partially out of the opening. The roller will pivot about the corner. When the roller has pivoted as far as it will go, and is sticking straight out of the slot, push the roller straight back into the slot (do not let the roller pivot back). You will feel the roller housing "pop", which means the attachment ears on the steel housing have disengaged from the corner retainer pins. The roller can now easily be removed from the rail slot. Re-install by reversing procedure (see fig. 5).

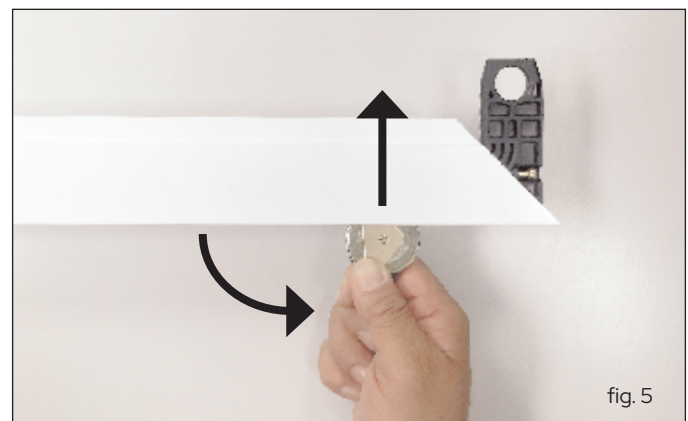


fig. 5