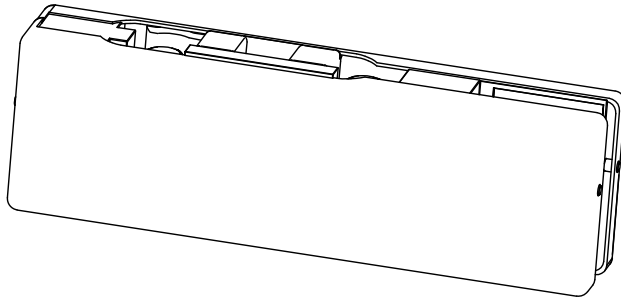


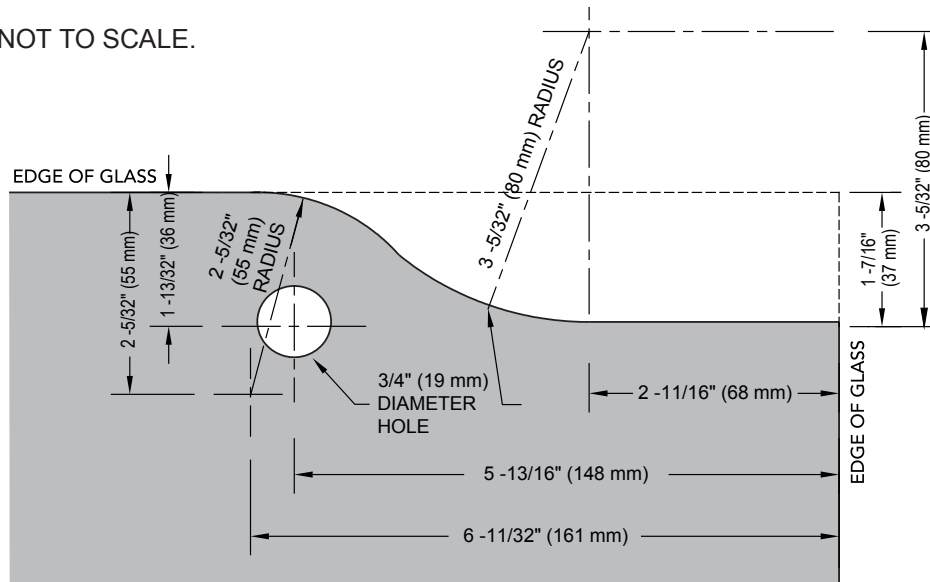
CRL ADJUSTABLE TOP DOOR PATCH FITTING

The CRL Adjustable Top Door Patch Fitting features a special pivot insert that allows for +/- 3 degrees of movement for proper alignment of the door to the jamb when in the closed position. For use with our CRL9970 Overhead Concealed Door Closer. Finished covers are available in five standard finishes. Gaskets are supplied that allow this Patch Fitting to be used with either 3/8" or 1/2" (10 or 12 mm) tempered glass.



GLASS PREPARATION: Notch and drill glass door. To ensure accuracy, use the dimensions listed below.

DRAWING NOT TO SCALE.



IMPORTANT: Project measurements from the edge of the glass.

IMPORTANT GUIDELINES

MAXIMUM DOOR DIMENSIONS:

Maximum Height: 102" (2591 mm)
 Maximum Weight: 194 Lbs. (88 kg)
 Maximum Width: 42" (1092 mm)

Note: If the door exceeds any of these limitations, full door rails should be used.

GLASS FABRICATION REQUIRED:

One 3/4" (19 mm) Diameter Hole and Corner Notch.

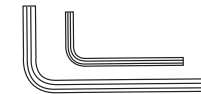
DO NOT USE WITH:

European 2-9/16" (65 mm) Pivot Setback Overhead Concealed Door Closers. They require European Door Patch Fitting PH21C.

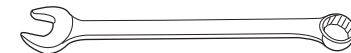
DO NOT USE WITH:

Laminated Glass

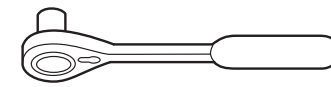
TOOLS NEEDED



Allen Wrenches
2.5 mm, 5 mm



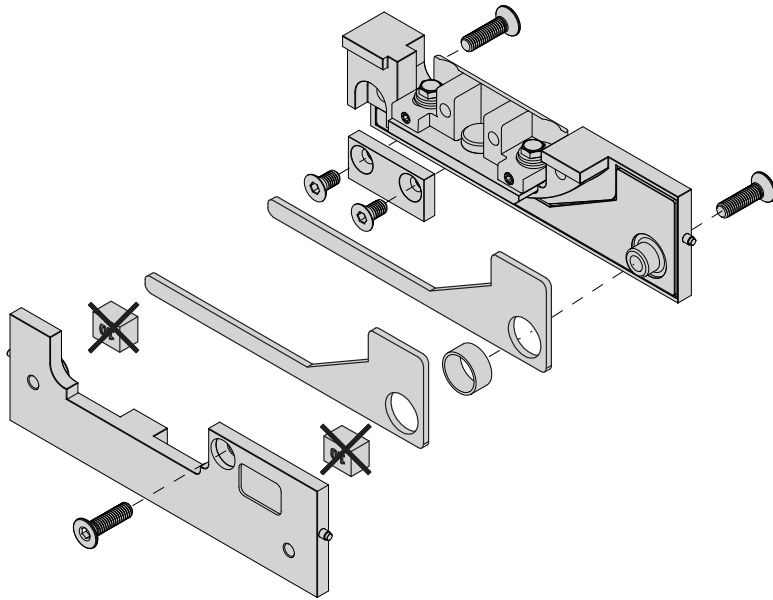
10 mm Wrench



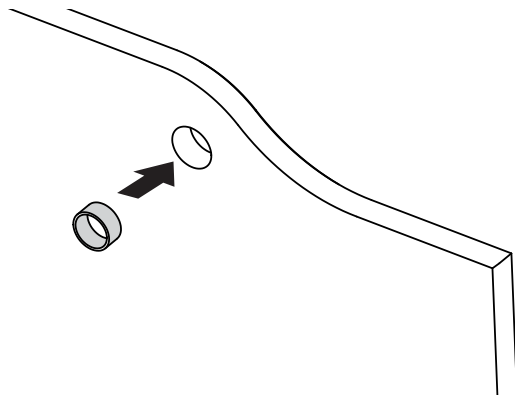
10 mm Socket Wrench

CRL ADJUSTABLE TOP DOOR PATCH FITTING

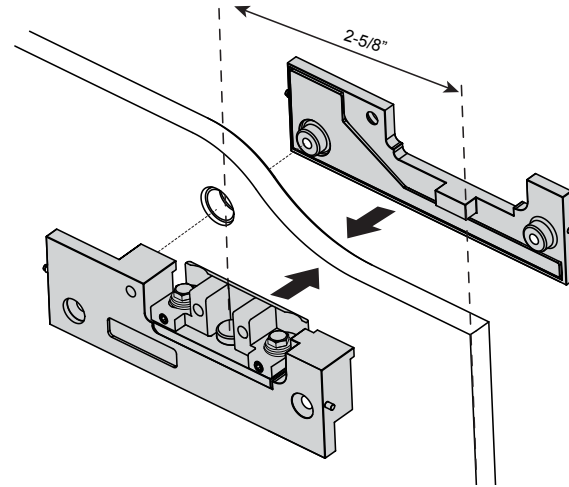
1. Disassemble patch fitting. Dispose of plastic shipping spacers and extra shims for 3/8" (10 mm) glass if not needed.



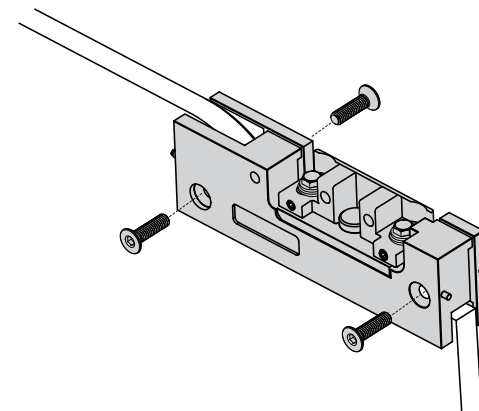
2. Insert vinyl spacer in hole to protect glass.



3. Align patch fitting to door so pivot is 2-5/8" (67 mm) from edge of glass.

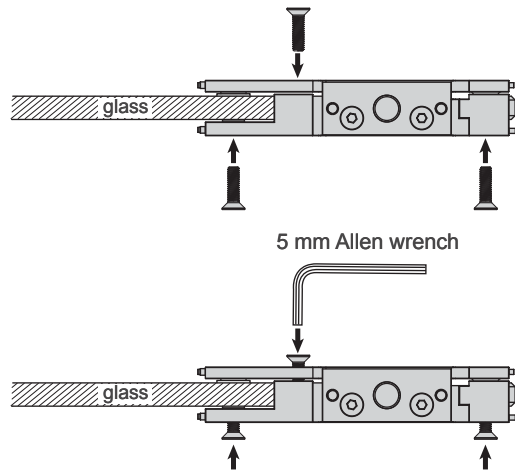


4. Reinsert three clamping screws and hand tighten screws alternately with 5 mm Allen wrench.

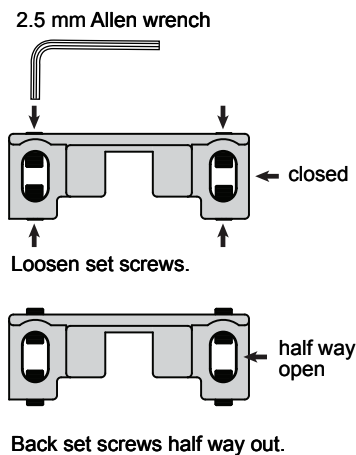


CRL ADJUSTABLE TOP DOOR PATCH FITTING

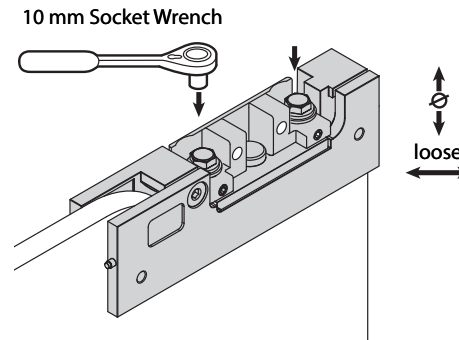
5. Holding the patch fitting in place, evenly tighten the clamping screws. The fitting should be non-movable.



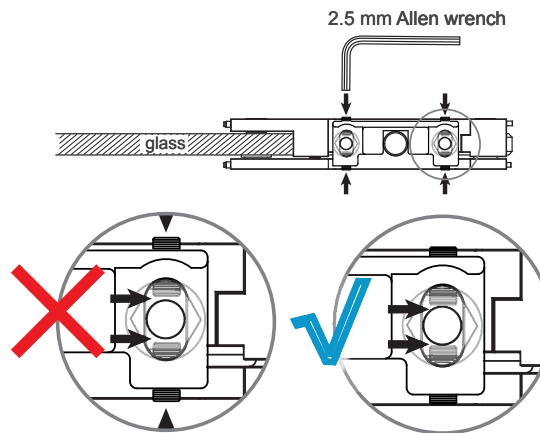
6. Back the four set screws half way open.



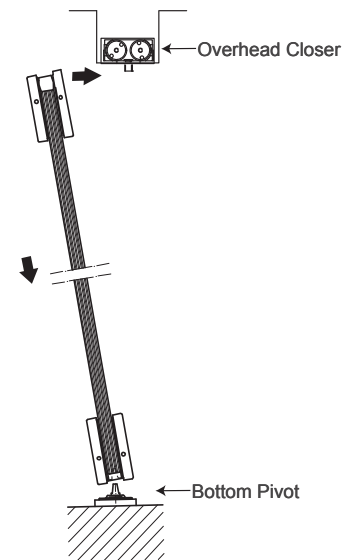
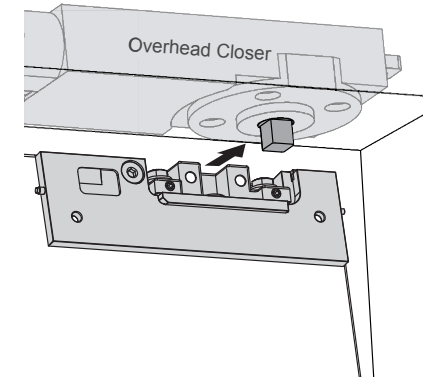
7. Partially loosen hex screws so spindle receiver has no vertical movement but can move horizontally.



8. Take up slack in all set screws so they are against shoulder of hex bolts, centering spindle receiver to pivot bolt plate.

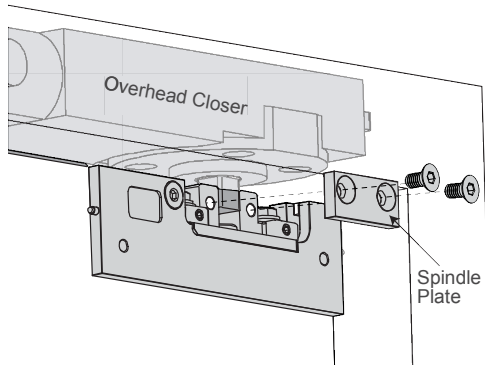


9. Install door. In closed position, lift door and tilt so bottom patch is in position. Stand door up and fit square spindle into spindle receiver.

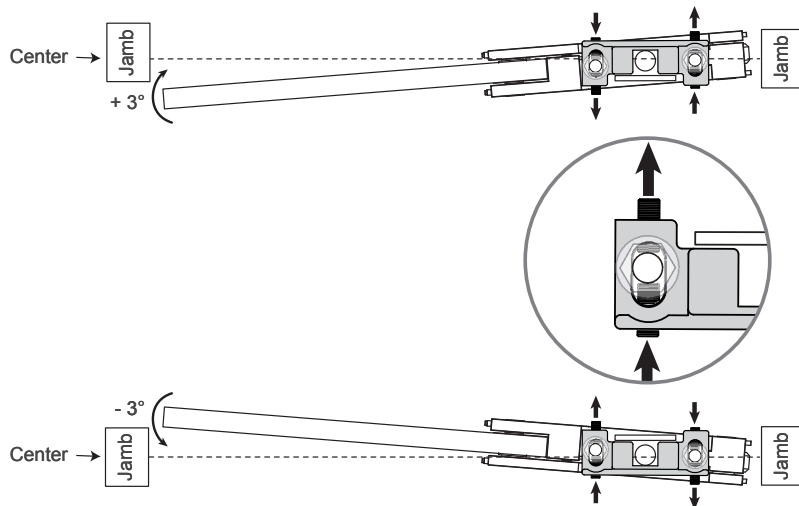


CRL ADJUSTABLE TOP DOOR PATCH FITTING

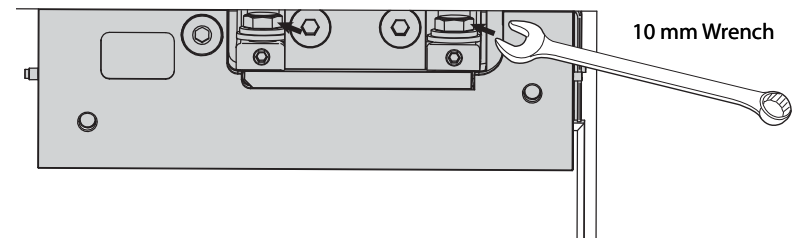
10. Hold door in place. Attach spindle plate with two flat head screws using 5 mm Allen. Tighten completely.



11. Align door to center at strike jamb by adjusting the set screws in or out. Tighten set screws to maintain position.



12. With door in place, tighten two hex bolts with 10 mm box end wrench. If the hex bolts are not accessible, remove spindle plate to tilt door and tighten until there is no movement. Then replace.



13. Depress the spring loaded pins to install covers.

