

**CRL DELUXE SERENITY SERIES SLIDING DOOR KIT  
CAT. NO.'S SER78 AND SER90**

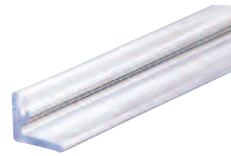
**90° INSTALLATION INSTRUCTIONS**

**STANDARD SER78 180 DEGREE KIT INCLUDES:**

- One 78-3/4" (2 m) Length Header Support Bar
- Four Rollers
- One Stopper
- Two Track Holder Fittings for Wall
- Two Track Holder Fittings for Fixed Panel
- One Thru-Glass Pull
- One Door Guide
- One L-Seal



Cat. No. SERNR1  
Rollers (4)



Cat. No. DK98L  
L-Seal



Cat. No. SERH2  
78-3/4" (2 m) Header  
Support Bar



Cat. No. SERNHP2  
Thru-Glass Pull



Cat. No. SERAHW2  
Adjustable Height  
Track Holder Fittings  
for Wall (2)



Cat. No. SERFP2  
Track Holder Fittings  
for Fixed Panel (2)



Cat. No. SERNG2  
Door Guide



Cat. No. SERNS1  
Stopper

- 1) The Header Support Bar is positioned exactly in the middle of the sliding door and inline fixed panel. There is a 1" (25 mm) gap between the sliding door and the fixed panel. Therefore, from the middle of the Header Support Bar to the surface of the sliding door or fixed panel glass, the distance is 1/2" (13 mm). The Header Support Bar is generally mounted in the center of the vertical jamb. Note: Due to the extremely smooth nature of the rollers, the Header Support Bar must be installed level. Failure to do so could result in a sliding door that rolls to one side by itself!
- 2) To locate the holes in the vertical wall for mounting the Header Support Bar, take the intended overall height to the top of the glass and deduct 3" (76 mm). This figure will represent the height location from the curb to the center of the hole to be drilled in the vertical wall. Drill the hole and mount the Track Holder Fitting block to the wall.
- 3) Determine the location of the inline fixed panel on the curb. As a guideline, use the figure of 1/2" (13 mm) from the center of your Header Support Bar to the inside face of the inline fixed panel glass. However, if the inline fixed glass is mounted on the inside of the enclosure, the 1/2" (13 mm) dimension is to the outside face of the inline fixed panel glass.
- 4) If the inline fixed panel is fastened to the curb using clamps, skip ahead to Step 5. If the inline fixed glass is fastened using U-channel, a decision must be made as to how the Bottom Guide will relate to the fixed panel. There is an option when mounting the Bottom Guide to have the portion of the guide that interacts with the inline fixed panel in one of two positions. If the Bottom Guide is going to "cap" the end of the inline fixed panel, the channel should be cut in a manner to allow 3/4" (19 mm) of glass to protrude from the end of the channel. If the Bottom Guide is going under the inline fixed glass ("cradling" the glass) the glass should protrude 15/16" (24 mm).
- 5) Fasten clamps or U-channel (the method of securing the fixed panels) to the curb. Secure the clamps or U-channel for all fixed panels. Set return panel.
- 6) Cut the Header Support Bar 1" (25 mm) shorter than the wall-to-wall tight dimension where the track is to be mounted. Please Note: The Header Support Bar is made of stainless steel. Either a hand-held hacksaw or special cutting tools should be used.
- 7) On the inline fixed panel, measure from the edge of the glass that butts the wall to the center of the holes in the fixed panel of glass at the top, and determine the correct location to set the connectors into the Header Support Bar.

**CRL DELUXE SERENITY SERIES SLIDING DOOR KIT  
CAT. NO.'S SER78 AND SER90**

- 8) Using the location to the center of the holes in the inline fixed panel glass, add the pre-determined clearance allotted between the inline fixed glass and the vertical wall or fixed panel to which the fixed panel butts. These figures will determine exactly where the holes will be located in the Header Support Bar. For example: If the center of the hole at the top of the glass is located 3-1/2" (89 mm) in from the wall-butting edge and a clearance between the glass and the wall/panel has been set at 1/8" (3 mm), the hole location for the connector would be set at 3-5/8" (92 mm) in from the wall.
- 9) The Header Support Bar was cut down 1" (25 mm) from the tight opening dimension in Step 6. This 1" (25 mm) deduction is allocated as 1/2" (13 mm) off each end. When measuring the Header Support Bar to drill the holes for the Track Holder Fittings for Fixed Panel, this 1/2" (13 mm) deduction must be taken into consideration. Using the dimensions calculated in Step 8, deduct the 1/2" (13 mm) required when measuring from the end of the Header Support Bar to mark where the holes for the connectors are to be drilled. In the example used in Step 8 the first hole in the Header Support Bar should be located 3-5/8" (92 mm) in from the wall/panel to the center of the hole. Deduct 1/2" (13 mm) and drill the hole at 3-1/8" (79 mm) in from the end of the Bar to the center of the hole.
- 10) The diameter of the clearance holes for the Track Holder Fitting for Fixed Panel is 1/4" (6 mm). The holes are to be drilled directly in the center of the Header Support Bar.
- 11) Before permanently mounting the Header Support Bar in place, the Door Stopper must be fastened to the Header Support Bar. Since there are numerous scenarios surrounding the desired placement of the Door Stopper, a specific dimension won't be provided here. Place the Door Stopper in a position that prevents the door from colliding with the wall when the door is opened, as well as not allowing a door pull with a protrusion (purchased separately) to hit the fixed panel/wall. Once the Door Stopper placement has been determined, locate the desired location on the Header Support Bar and drill a 1/4" (6 mm) diameter clearance hole through the Header Support Bar directly in the center of the Bar. Remove the screw from the Door Stopper and slide the stop in position with the rubber bumpers facing the side of the Header Support Bar on which the door will slide. Replace the screw from the Door Stopper and tighten it down permanently. Fasten a Track Holder Fitting to the return panel using the SER90 hardware. Slide a Track Holder Fitting for Wall on each end (set screws facing the ceiling). Carefully place the Header Support Bar in place between the Track Holder Fitting blocks.
- 12) Slide both Track Holder Fittings from the Header Support Bar to the blocks mounted to the wall/panel. Tighten the set screw closest to the wall/panel to hold the Track Holder Fittings tightly to the mounting blocks.
- 13) The inline fixed panel can be fastened to the base/curb and positioned to the Header Support Bar. With the inline fixed panel in place, fasten the Track Holder Fittings for Fixed Panel attaching the glass to the Header Support Bar.
- 14) Attach the top set of Rollers to the sliding door glass, making sure to use the longer screws for 3/8" (10 mm) glass or the shorter ones for 5/16" (8 mm) glass. The Rollers should be adjusted to the center of their "out-of-round" position. This allows for adjusting the Rollers more easily if needed.
- 15) Carefully hang the door on top of the Header Support Bar. Slowly roll the door to check for the correct fit and adjust the Rollers if needed.
- 16) With the door hanging on the Header Support Bar and in the closed position, place the Bottom Guide to the desired location. Mark the base/curb by outlining around the Bottom Guide. Remove the door and carefully set aside.
- 17) Place the Guide in the correct position and mark the base/curb for drilling. Mount the Guide.
- 18) Re-hang the door, placing the glass inside the guide.
- 19) Fasten the lower set of Rollers to the glass adjusting them up until they make contact with the bottom of the Header Support Bar. Permanently tighten the Rollers in place.
- 20) Attach Thru-Glass Pull to door. Simply unscrew the (2) halves of the pull and thread them together in the 1-7/8" to 2" (47 to 50 mm) hole in the sliding door glass.
- 21) A DK98L L-Seal must be used at the handle side of the door to prevent the sliding door glass from colliding into the tile/stone! Cut the DK98L to length from the base/curb to the top of the sliding door glass. Close the door to the wall, and using the sliding door as a guide, locate the DK98L L-Seal on the wall. After taping the seal to the wall, run a bead of RTV408 silicone on the inside and outside of the seal to assure it doesn't come loose over time.

**CRL DELUXE SERENITY SERIES SLIDING DOOR KIT  
CAT. NO.'S SER78 AND SER90**

**GLASS AND METAL CUTTING FORMULA FOR 90 DEGREE APPLICATION**

**SPECIFICATIONS:**

- Overall width = Wall to inside face of return panel distance
- Overall height = Height from curb to top of glass
- Glass panels extend 2-7/16" (62 mm) above top of the header
- Fixed glass height formula is based on using "U" Channel or Clamps.  
A 3/16" (5 mm) standard deduction is used at the bottom of the fixed panel.
- Fixed and sliding glass panels overlap 2" (51 mm)
- Standard gap between wall and fixed and/or sliding glass is 1/8" (3 mm)
- Header height is 1-3/16" (30 mm)
- Gap between fixed and sliding glass panels is 1" (25 mm)
- Sliding glass height formula is based on using a 5/16" (8 mm) standard deduction at the bottom

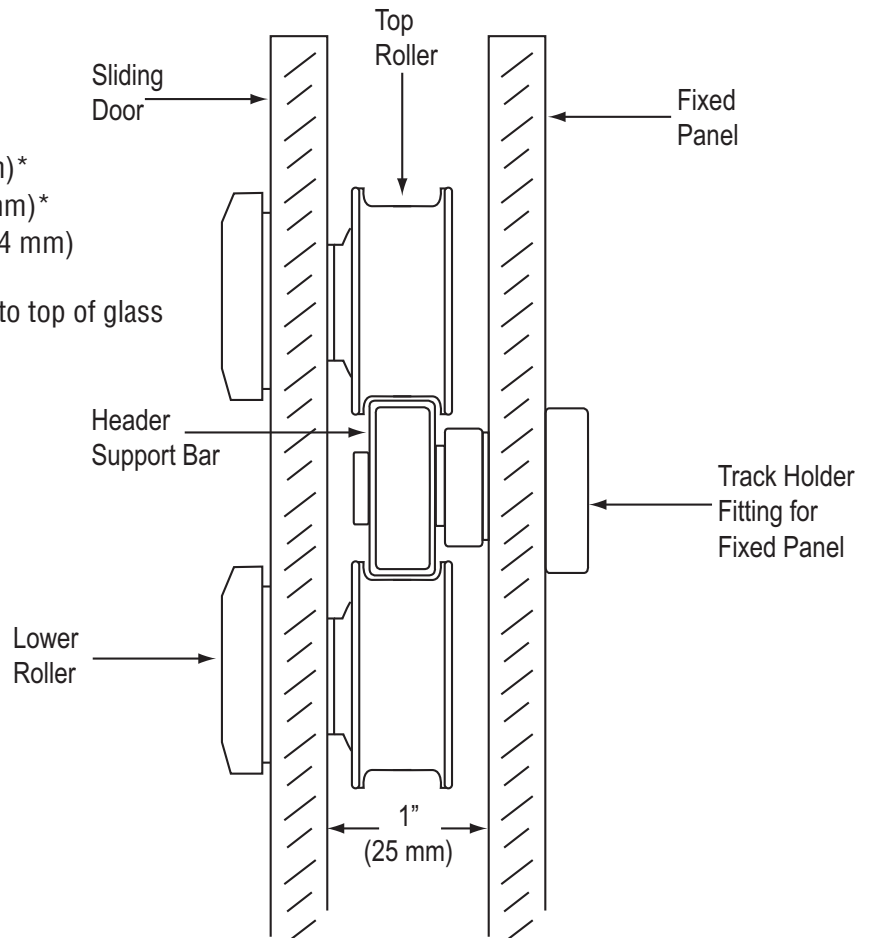
**METAL SIZE CUTTING FORMULA:**

- Header = Overall width measurement less 1" (25 mm)

**GLASS SIZE CUTTING FORMULA:**

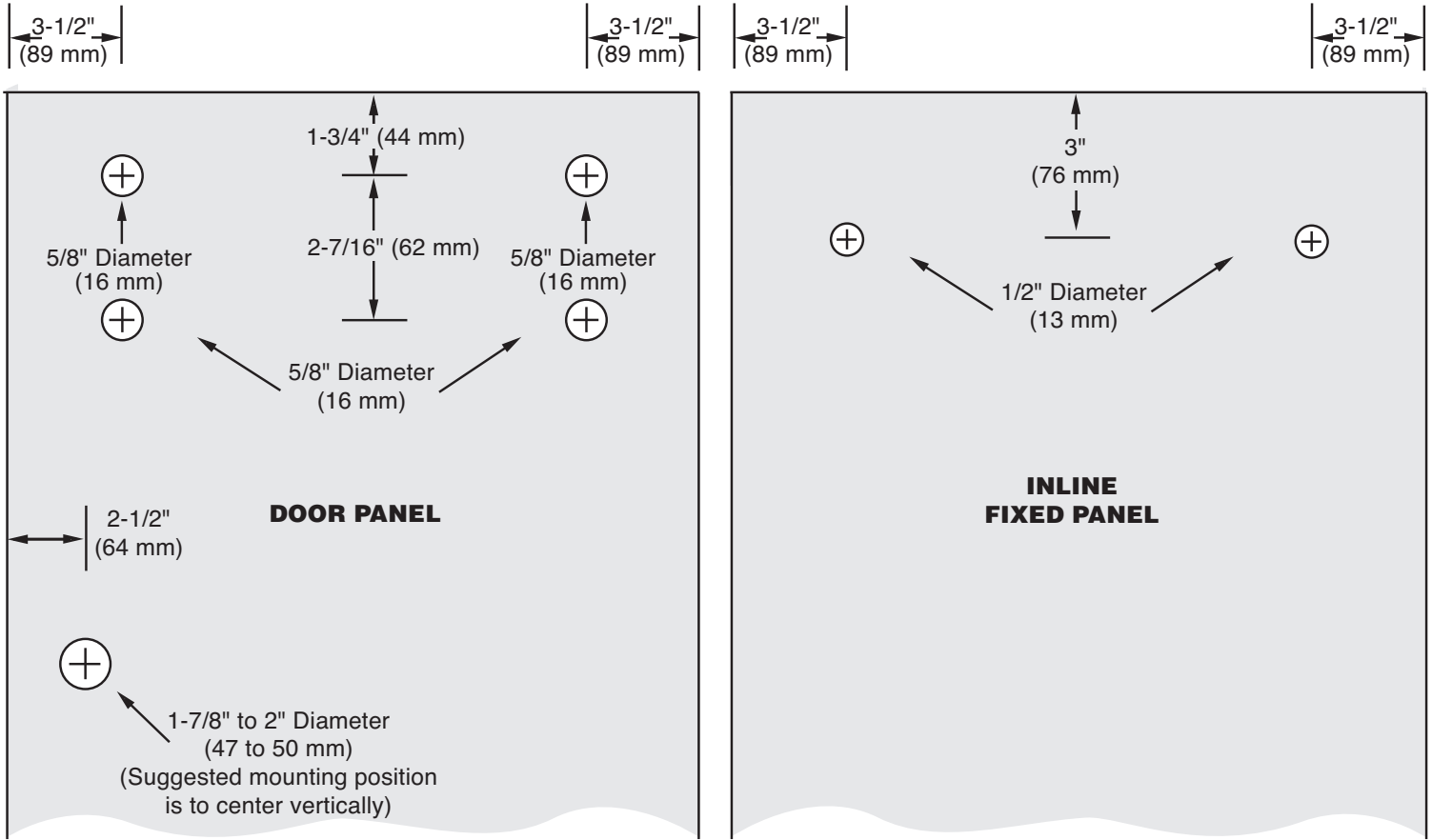
- Width of fixed and/or sliding glass =  
Overall width divided by 2, plus 7/8" (22 mm)
- Height of fixed glass = Overall height - 3/16" (5 mm)\*
- Height of sliding glass = Overall height - 5/16" (8 mm)\*
- Door Pull SERNHP2 is centered vertically, 2-1/2" (64 mm)  
in from vertical edge of glass\*
- Reminder - Overall height is determined from curb to top of glass

**Cross-Section  
Serenity Sliding  
Door Kit**



**CRL DELUXE SERENITY SERIES SLIDING DOOR KIT  
CAT. NO.'S SER78 AND SER90**

**GLASS AND METAL CUTTING FORMULA FOR 90 DEGREE APPLICATION**



90° JUNCTION MUST BE ONE OF THESE CONFIGURATIONS:

