

C.R. LAURENCE CO., INC.

Cat. No. ASR1 Adjustable Shower Rod Mounting Instructions

Tools Needed (Not Included)



Screw Driver



Pencil



Measuring Tape



Electric Drill

Parts Included

A) 2-Wall Mounting Brackets



B) 1-Two-Pieced Curved Rod



C) 4-Drywall Anchors



D) 4-Mounting Screws



E) 2-Sets Fasteners to Attach Rod to Brackets

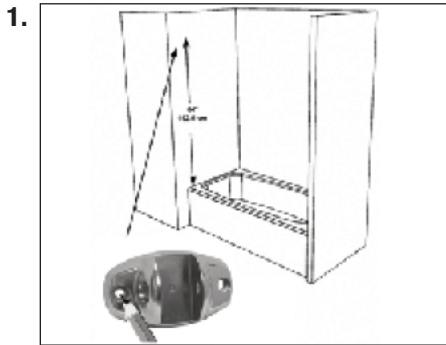


F) 1-Allen Wrench



C.R. LAURENCE CO., INC.

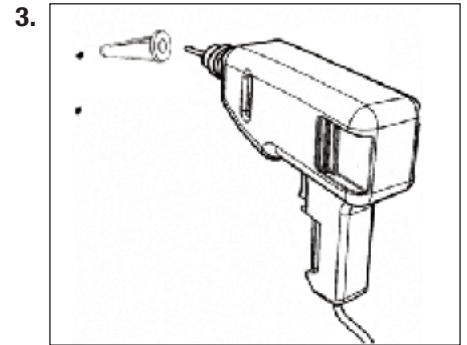
ASR1 Mounting Instructions



With a pencil and tape measure, mark the wall above the center of tub edge at the desired height for installation of the curved Shower Rod. Be sure to make each side at the same height.



With a pencil, mark the desired spots where the holes will be made to attach the brackets to mount on the wall.



Drill holes in the marked location for the mounting screw (D) and insert the drywall anchor (C). Note: If the screws will be going directly into the wall studs, wall anchors will not be necessary



Fasten brackets to the wall with the mounting screws provided.



With the bracket secured to the wall, the installation of the Shower Rod is next.



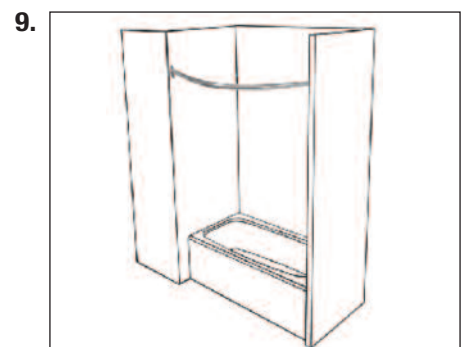
You will need to use two screws on each side to lock the Shower Rod to the bracket.



Insert one Shower Rod tube into the mounting bracket and tighten it by screwing in two screws through the holes on each side. Repeat this step for the other bracket once the bracket has been mounted into the wall.



Slide the second Shower Rod tube onto the first tube that has already been mounted to the wall bracket. (as in drawing #7).



Secure the second side of the Shower Rod tube in place into the other wall mounted bracket.