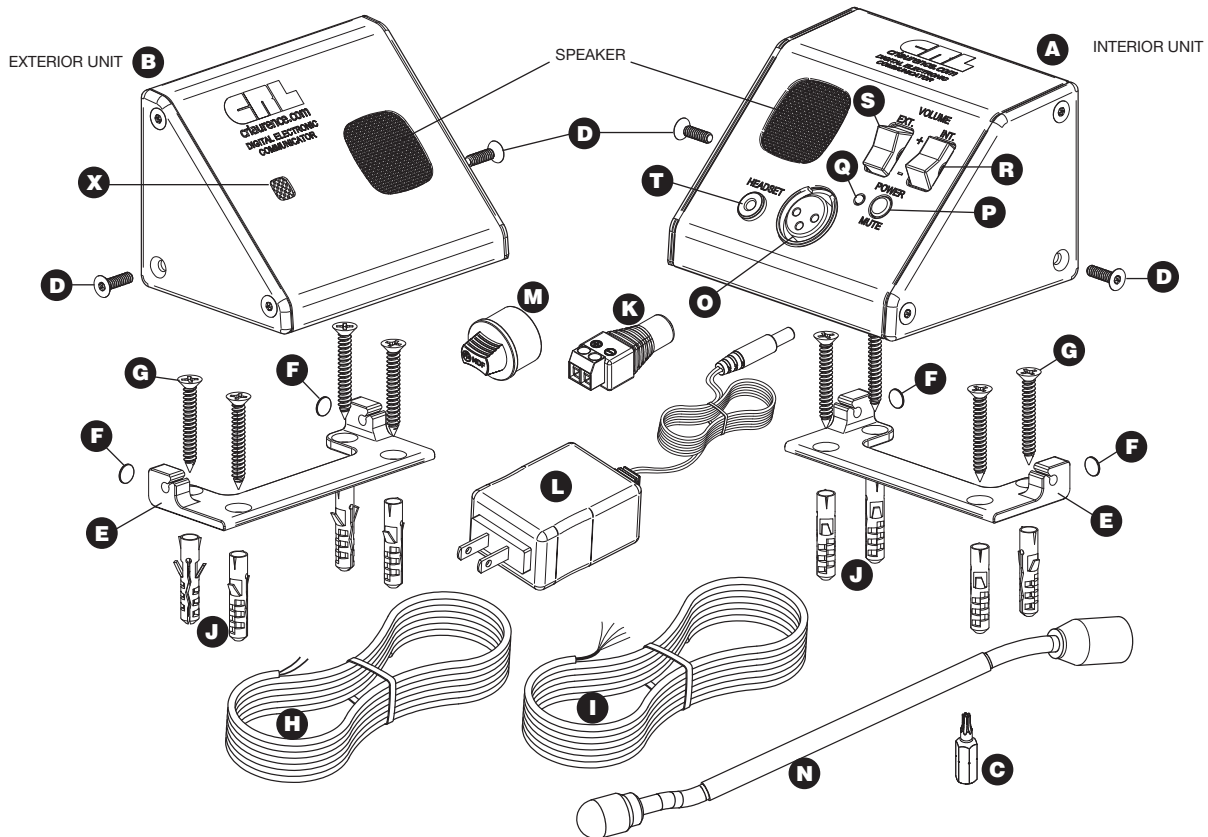


C.R. LAURENCE CO., INC.

FOR MODELS: C9ASA C9ABL

INSTALLATION INSTRUCTIONS FOR COUNTER-TOP COMMUNICATORS



1. Unpack the Interior Unit (A) and Exterior Unit (B). Check to be sure all parts shown on this diagram are included.
2. Use the supplied Security Torx Bit (C) to remove the screws in the lower back corners (D) of both the Interior and Exterior Units.
3. Remove the Mounting Plates (E) from the underside of the Interior and Exterior Units.
4. Position the Mounting Plates on the interior and exterior side of the glass or other partition. The Mounting Plates are typically installed flush against the partition. Depending on the condition of the partition, the optional rubber bumpers (F) can be applied to the back of the Mounting Plates if needed.
5. Using a pen or a center punch, mark the counter for the locations of the Mounting Screws (G) and the access holes for the 2-wire Power Cable (H) and the 5-wire Communication Cable (I). The interior side needs access for both cables. The exterior side only needs access for the Communication Cable (I).
6. Move the Mounting Plates and pre-drill the counter for the supplied screws. If the counter is made of a solid material such as granite, drill for installing the optional Screw Anchors (J). Also, drill access holes for the Power Cable (H) and the Communication Cable (I).
7. One end of the Communication Cable (I) has the five inner wires exposed. Keep 9" - 12" (227mm -305mm) of this end on the interior unit side, and feed the Communication Cable through its access hole. On the exterior unit side, cut off excess cable so that about 9" - 12" (227mm -305mm) projects from the hole. Strip the outer gray insulation sheath back to expose approximately 1-1/2" (38mm) of the five inner wires. Peel the shielding foil away as well. Do not cut the silver-colored shielding wire. The remaining four wires each have a different color insulation sheath. Strip each sheath back to expose approximately 1/8" - 3/16" (3mm - 5mm) of bare wire.

8. One end of the Power Cable (**H**) has the two inner wires exposed. Keep 9" - 12" (227mm -305mm) of this end on the inner unit side and feed the Power Cable through its access hole toward where the unit will be plugged into a wall outlet. Cut off an appropriate amount of excess Power Cable, considering the length of the cable attached to the Transformer (**L**). Strip the outer gray insulation sheath back to expose approximately 1-1/2" (38mm) of the two inner wires. Strip back the red and black insulation from the inner two wires to expose approximately 1/8" – 3/16" (3mm - 5mm) of bare wire.
9. Install the wires into the terminals on the back of the Interior and Exterior Units. The back of each unit has a color-coded label to indicate which wire goes into which terminal. Firmly tighten each screw to hold the wires in the terminal. Lightly tug on each wire to make sure that it is held securely in place.
10. Secure the Mounting Plates (**E**) to the counter using the supplied Mounting Screws (**G**). Use the supplied Screw Anchors (**J**) if appropriate for the counter material.
11. Install the Interior and Exterior Units onto the Mounting Plates. Feed loose cable back into the access holes. Secure the units to the plates using the Security Torx Screws from Step 2.
12. Install the Power Adapter (**K**) onto the free end of the Power Cable. Make sure that the red wire (**positive**) is inserted into the terminal under the (+) symbol and the black wire (**negative**) is inserted under the (-) symbol. Tighten the terminal screws down on the wires and lightly tug on the wires to make sure they are held securely in place.
13. Plug the Transformer/Power Supply (**L**) into a normal wall outlet and insert its jack into the Power Adapter (**K**).

The Transformer can be used for both 115V and 240V outlets (range of 100V to 240V). Optional plug adapters are available for Europe (EUSS412) and Australia (AUWSS416).

SET UP INSTRUCTIONS

1. Remove the boom microphone socket cover (**M**) and install the Boom Microphone (**N**) by plugging into the socket (**O**) on the Interior Unit. Retain the socket cover for future use.
2. Confirm that the Communicator starts by pressing the POWER/MUTE button (**P**). The POWER/MUTE indicator (**Q**) should now be illuminated. If the unit does not start, check the wiring and wall outlet.
3. Verify that the Communicator works by talking into the Interior Boom Microphone (**N**) and the Exterior Microphone (**X**). Do not speak into the Interior Boom Microphone from closer than two inches (51 mm). See VOLUME adjustment notes below.

CONTROLS

POWER/MUTE - When the Communicator is off, the POWER/MUTE indicator (**Q**) will not be lit. Pushing the POWER/MUTE button (**P**) will start the Communicator. The POWER/MUTE indicator (**Q**) will be Green when the Communicator is **ON**.

Press again to cycle between **ON** and **MUTE**. In the **MUTE** mode the POWER/MUTE indicator (**Q**) will be flashing Red.

Depressing the switch for two seconds will turn the unit **OFF**. The POWER/MUTE indicator (**Q**) will not be lit when the Communicator is **OFF**.

VOLUME – To adjust the interior and exterior speaker volume, press the **INTERIOR** volume rocker switch (**R**) or **EXTERIOR** volume rocker switch (**S**). Pressing the rocker switch up will increase the volume, and pressing the switch down will decrease the volume. Try to keep the volume as low as needed to effectively communicate.