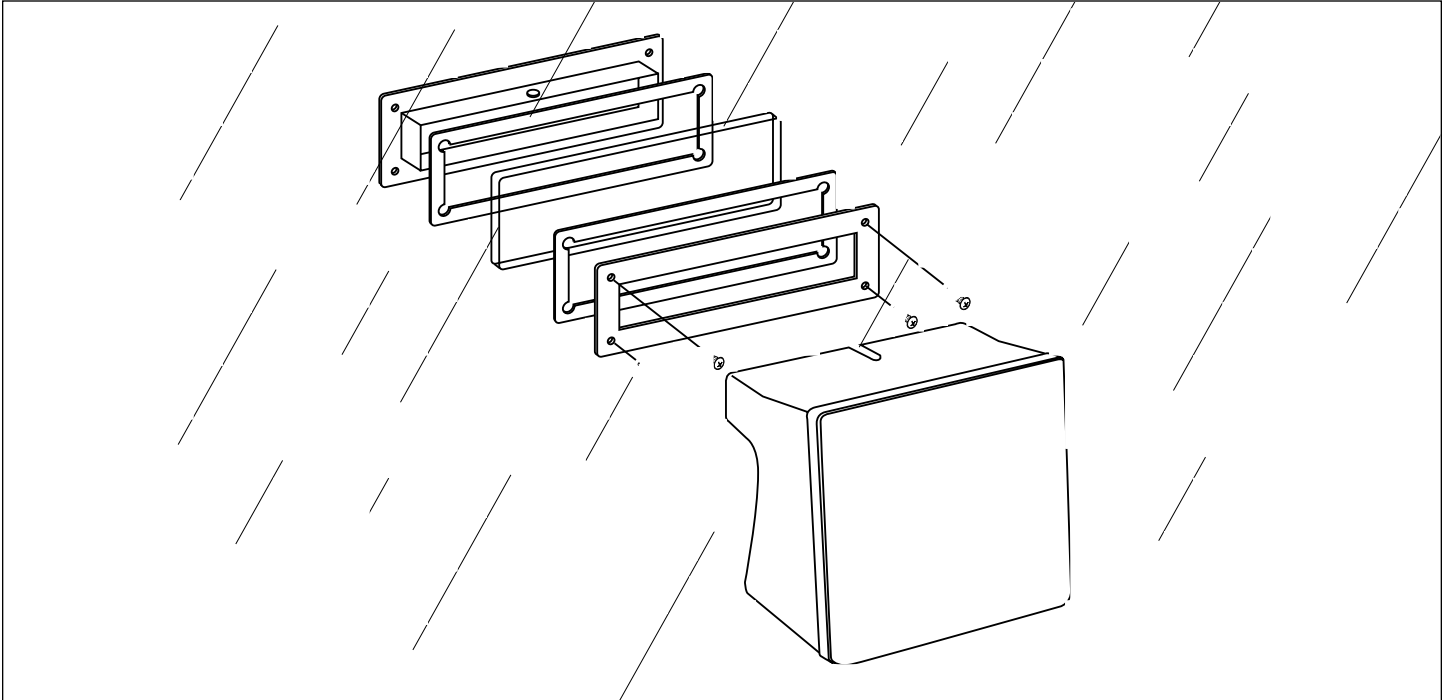


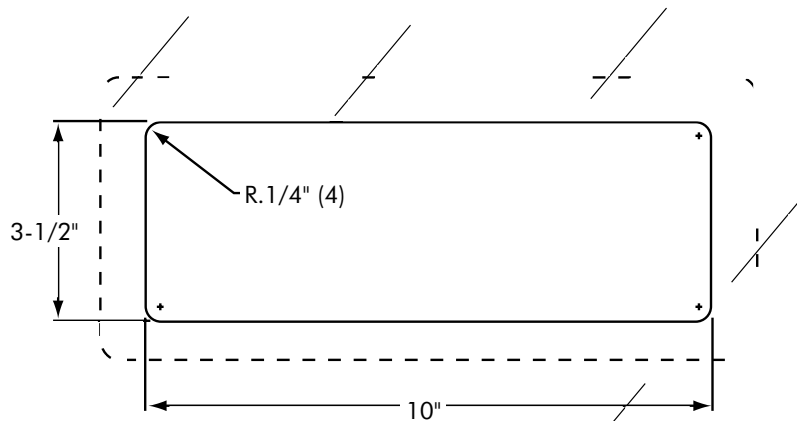
# C.R. LAURENCE Installation Instructions

**CAT. No. DVD82 DELUXE THROUGH GLASS VIDEO TAPE DROP**

## OPTION 1 (THROUGH GLASS PANEL)



**FIGURE 1 CLEARANCE AND CUTOUT REQUIREMENTS**



Dotted line represents outside of the interior and exterior flange of the unit. The flange extends approximately 3/4" beyond the cutout on all sides. When selecting the unit's location, be sure you have allowed ample room for the flange.

(SEE BACK OF PAGE FOR INSTALLATION INSTRUCTIONS)

**C.R. Laurence Co., Inc. Toll Free (800) 421-6144 FAX (800) 262-3299**

# **C.R. LAURENCE**

# **Installation Instructions**

**CAT. No. DVD82 DELUXE THROUGH GLASS VIDEO TAPE DROP**

## **OPTION 1 (THROUGH GLASS PANEL)**

### **INSTALLATION INSTRUCTIONS**

1. Check contents of package immediately after opening. Package should include:
  - 1 Each Stainless Face Plate Assembly (includes exterior face plate, interior garnish plate, 4 installation screws and 1 thumb screw).
  - 2 Each Gaskets
  - 1 Each Interior Plastic Chute with Attached Vinyl Slide
  - 1 Each 1/4" x 1-1/2" x 10" Acrylic Spacer

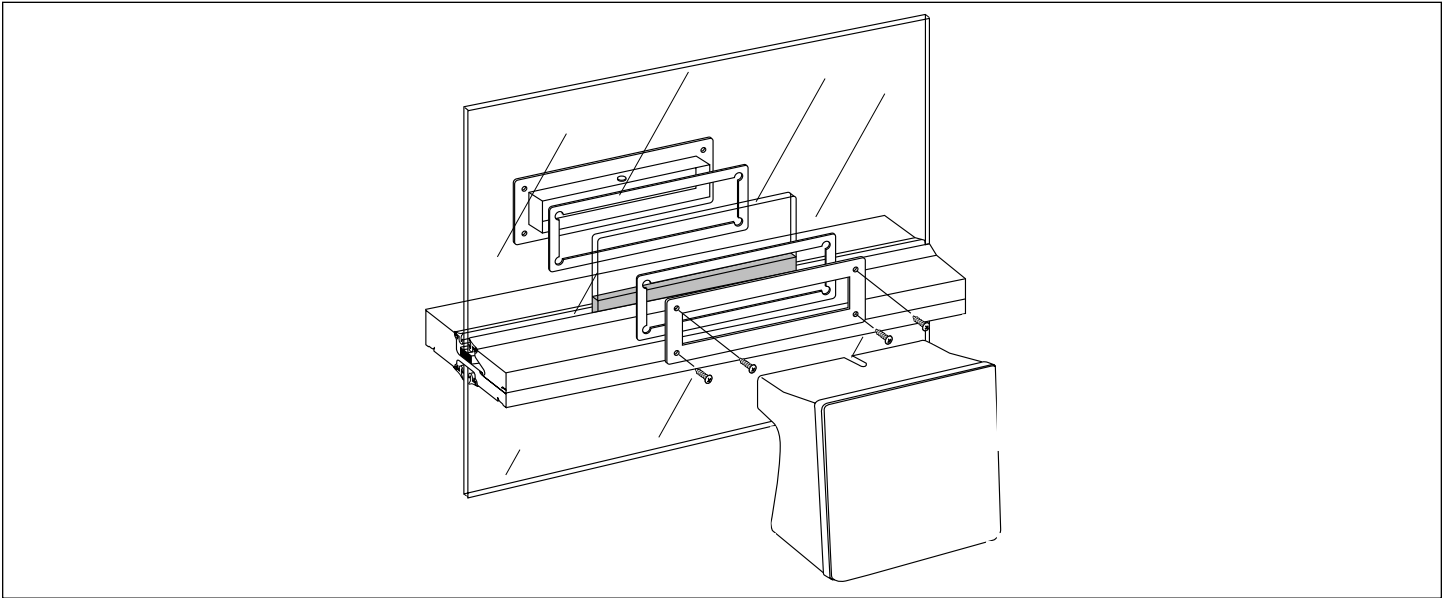
**Video Tape Drop cannot be properly installed without all parts.  
Report missing parts to dealer immediately.**

2. Glazing panel must be cut out per dimensions shown in Figure 1.
3. Separate face plate assembly by removing the 4 screws and thumb screw.
4. Place 1 gasket on the backside of the exterior face plate and insert the face plate through the cutout from the exterior side of the glass panel.
5. Place remaining gasket over the stainless steel chute. Install and tighten garnish plate on the interior side of the glass panel using the 4 screws provided. Install thumb screw but do not tighten.
6. Align slot in the top of the plastic chute with the thumb screw and slide into desired position. Tighten thumb screw. Place loose end of the vinyl slide into collection bin (not included) used to catch tapes and parcels.

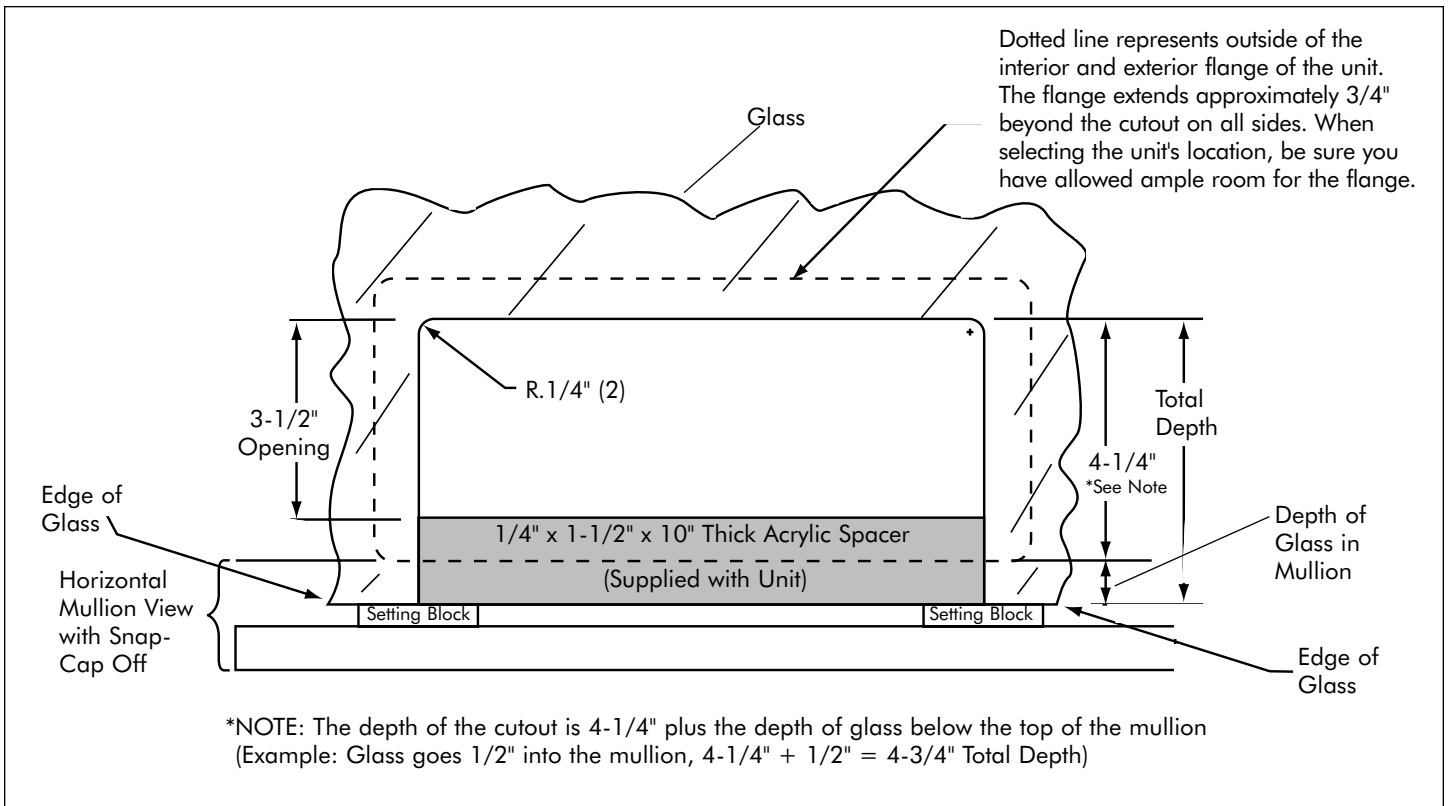
# C.R. LAURENCE Installation Instructions

## CAT. No. DVD82 DELUXE THROUGH GLASS VIDEO TAPE DROP

### OPTION 2 (THROUGH GLASS PANEL ON TOP OF MULLION)



**FIGURE 1 CLEARANCE AND CUTOUT REQUIREMENTS**



(SEE BACK OF PAGE FOR INSTALLATION INSTRUCTIONS)

# **C.R. LAURENCE**

# **Installation Instructions**

**CAT. No. DVD82 DELUXE THROUGH GLASS VIDEO TAPE DROP**

## **OPTION 2 (THROUGH GLASS PANEL ON TOP OF MULLION) INSTALLATION INSTRUCTIONS**

1. Check contents of package immediately after opening. Package should include:
  - 1 Each Stainless Face Plate Assembly (includes exterior face plate, interior garnish plate, 4 installation screws and 1 thumb screw).
  - 2 Each Gaskets
  - 1 Each Interior Plastic Chute with Attached Vinyl Slide
  - 1 Each 1/4" x 1-1/2" x 10" Acrylic Spacer

**Video Tape Drop cannot be properly installed without all parts.  
Report missing parts to dealer immediately.**

2. Measure depth of glass panel in mullion channel (see Figure 1). This dimension plus 4-1/4" will be the depth of notch into glass panel. Place the 1/4" x 1-1/2" x 10" Acrylic Spacer into notch as shown in Figure 1. Trim spacer until a 3-1/2" opening is obtained.
3. Separate face plate assembly by removing the 4 screws and thumb screw.
4. Place 1 gasket on the backside of the exterior face plate and insert the face plate through the cutout from the exterior side of the glass panel.
5. Place remaining gasket over the stainless steel chute. Install and tighten garnish plate on the interior side of the glass panel using the 4 screws provided. Install thumb screw but do not tighten.
6. Align slot in the top of the plastic chute with the thumb screw and slide into desired position. Tighten thumb screw. Place loose end of the vinyl slide into collection bin (not included) used to catch tapes and parcels.