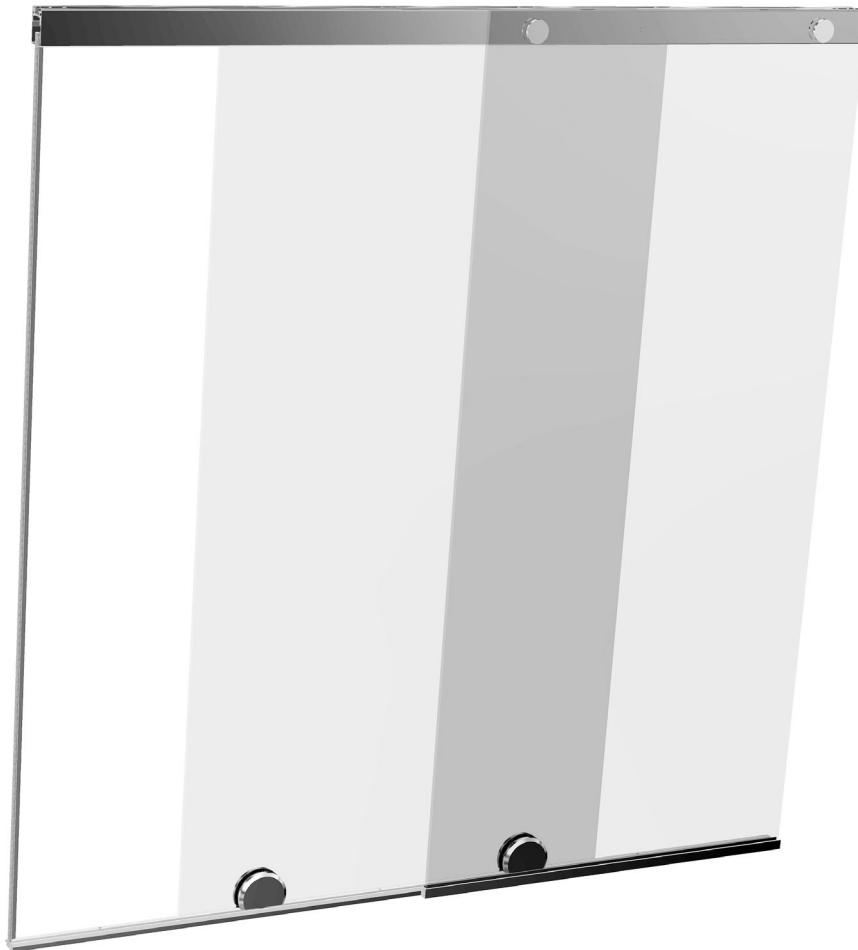


INSTALLATION INSTRUCTIONS

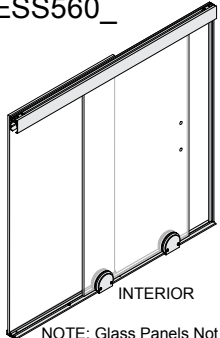
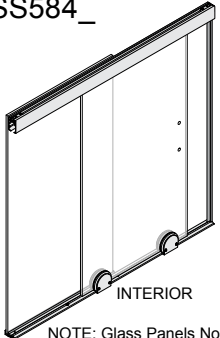
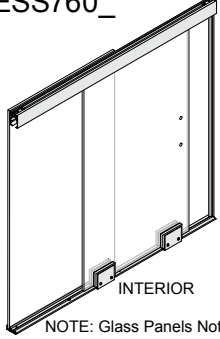
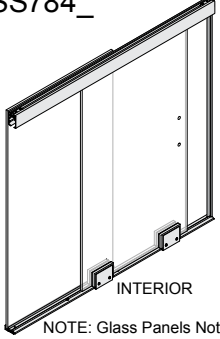
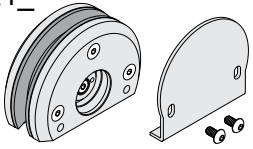
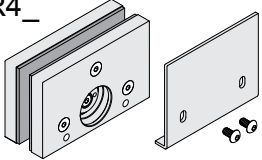
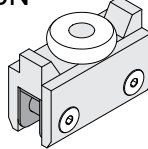
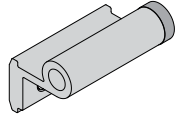
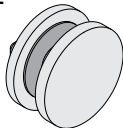
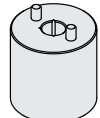
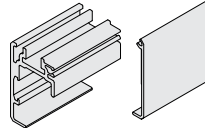
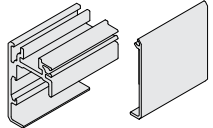
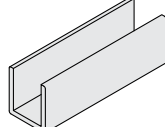
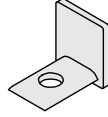
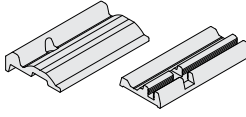
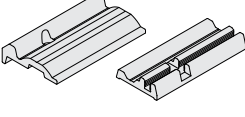
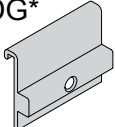
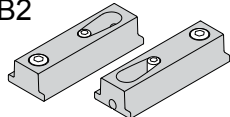
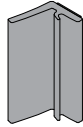
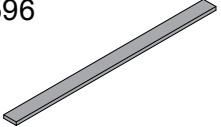
CRL ESSENCE SERIES ROLLING SHOWER DOOR SYSTEM WITH HEADER



2503 E. Vernon Avenue, Los Angeles, CA 90058-1826
(800) 421-6144 Fax (800) 262-3299
crlaurence.com

11M0338_REV A_7-6-18

PARTS LIST

 <p>INTERIOR</p> <p>NOTE: Glass Panels Not Included.</p> <p>64" (1626 mm) Degree Rounded Style Essence Kit with Header</p>	<p>Kit Contains:</p> <ul style="list-style-type: none"> 1 64" (1626 mm) Header with Snap Cover 2 Top Roller Guides 1 Door Stop 2 Fixed Glass Fittings 2 Wall Mounting Brackets 1 Drill Jig 1 64" (1626 mm) Bottom Track with Mounting Channel and Fasteners 1 98" (2489 mm) L-Seal 1 98" (2489 mm) U-Channel 1 End Cap for U-Channel 2 Rounded Style Bottom Rollers 1 Spanner Wrench 	 <p>INTERIOR</p> <p>NOTE: Glass Panels Not Included.</p> <p>84" (2134 mm) Rounded Style Essence Kit with Header</p>	<p>Kit Contains:</p> <ul style="list-style-type: none"> 1 84" (2134 mm) Header with Snap Cover 2 Top Roller Guides 1 Door Stop 2 Fixed Glass Fittings 2 Wall Mounting Brackets 1 Drill Jig 1 84" (2134 mm) Bottom Track with Mounting Channel and Fasteners 1 98" (2489 mm) L-Seal 1 98" (2489 mm) U-Channel 1 End Cap for U-Channel 2 Rounded Style Bottom Rollers 1 Spanner Wrench
 <p>INTERIOR</p> <p>NOTE: Glass Panels Not Included.</p> <p>64" (1626 mm) Degree Squared Style Essence Kit with Header</p>	<p>Kit Contains:</p> <ul style="list-style-type: none"> 1 64" (1626 mm) Header with Snap Cover 2 Top Roller Guides 1 Door Stop 2 Fixed Glass Fittings 2 Wall Mounting Brackets 1 Drill Jig 1 64" (1626 mm) Bottom Track with Mounting Channel and Fasteners 1 98" (2489 mm) L-Seal 1 98" (2489 mm) U-Channel 1 End Cap for U-Channel 2 Squared Style Bottom Rollers 1 Spanner Wrench 	 <p>INTERIOR</p> <p>NOTE: Glass Panels Not Included.</p> <p>84" (2134 mm) Squared Style Essence Kit with Header</p>	<p>Kit Contains:</p> <ul style="list-style-type: none"> 1 84" (2134 mm) Header with Snap Cover 2 Top Roller Guides 1 Door Stop 2 Fixed Glass Fittings 2 Wall Mounting Brackets 1 Drill Jig 1 84" (2134 mm) Bottom Track with Mounting Channel and Fasteners 1 98" (2489 mm) L-Seal 1 98" (2489 mm) U-Channel 1 End Cap for U-Channel 2 Squared Style Bottom Rollers 1 Spanner Wrench
 <p>Rounded Style Rollers (2)</p>	 <p>Squared Style Rollers (2)</p>	 <p>Top Roller Guides (2)</p>	 <p>Roller Stop</p>
 <p>180 Degree Fixed Glass Fittings (2)</p>	 <p>Spanner Wrench for Roller Adjustment</p>	 <p>60" (1524 mm) Header with Snap Cover</p>	 <p>84" (2134 mm) Header with Snap Cover</p>
 <p>98" (2489 mm) U-Channel</p>	 <p>End Cap for U-Channel</p>	 <p>60" (1524 mm) Bottom Track with Mounting Strip</p>	 <p>84" (2134 mm) Bottom Track with Mounting Strip</p>
 <p>Drill Jig</p>	 <p>Brass Wall Mounting Brackets (2)</p>	 <p>Clear Plastic L-Seal</p>	 <p>1/16" Setting Block (Use as Guide)</p>

* Available through Technical Sales at (323) 588-1281

NOTE: ESS560_ installation drawings shown in this manual. Other installations similar.

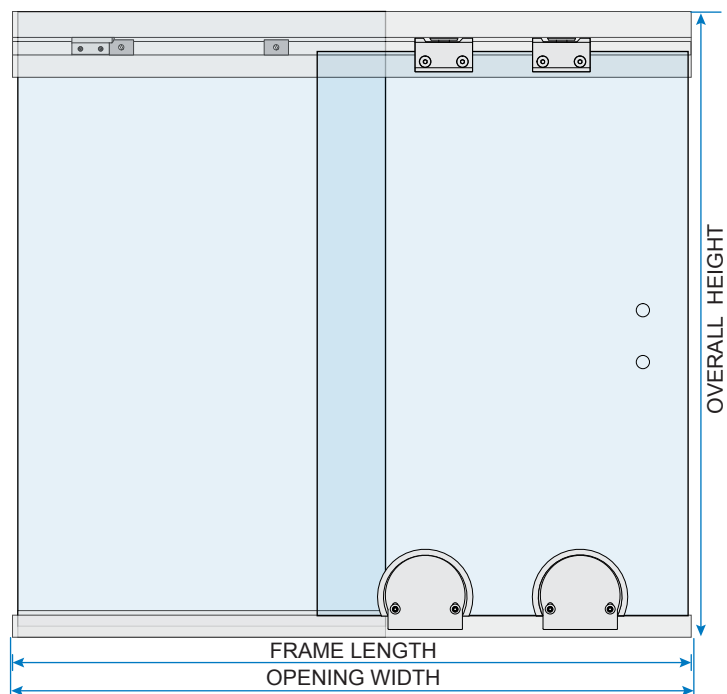
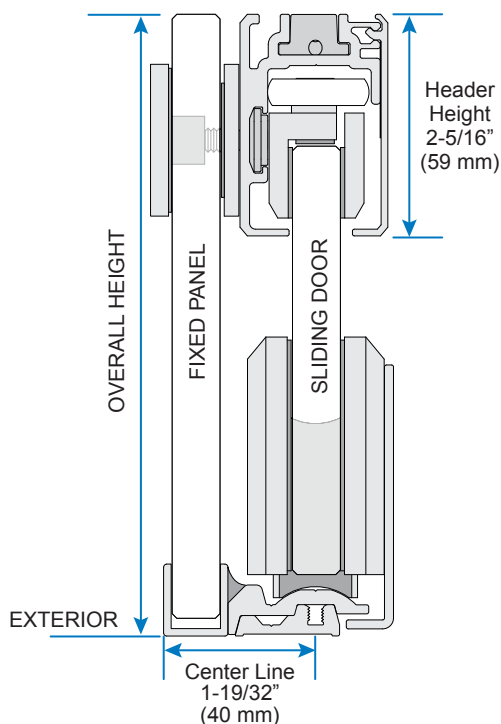
ORDER OF ASSEMBLY AND INSTALLATION

PARTS LIST	2
SPECIFICATIONS	3
GLASS FABRICATION	4
SITE PREPARATION	5
Mark Location for Frame	5
FRAME FABRICATION	6
FRAME INSTALLATION	7 - 9
Install Mounting Strip	7
Install Bottom Track	7
Prepare Header	8
Install Header	9
Install U-Channel	9
Install Fixed Panel	9
SLIDING DOOR ASSEMBLY	10
Install Top Roller Guides	10
Install Bottom Rollers	10
SLIDING DOOR INSTALLATION	11
Install Sliding Door	11
Install Anti-Lift Guides	11
FINISHING	12
Install L-Seal	12
Install Snap Cover for Header	12

IMPORTANT: READ THIS MANUAL THOROUGHLY BEFORE BEGINNING INSTALLATION.

SPECIFICATIONS

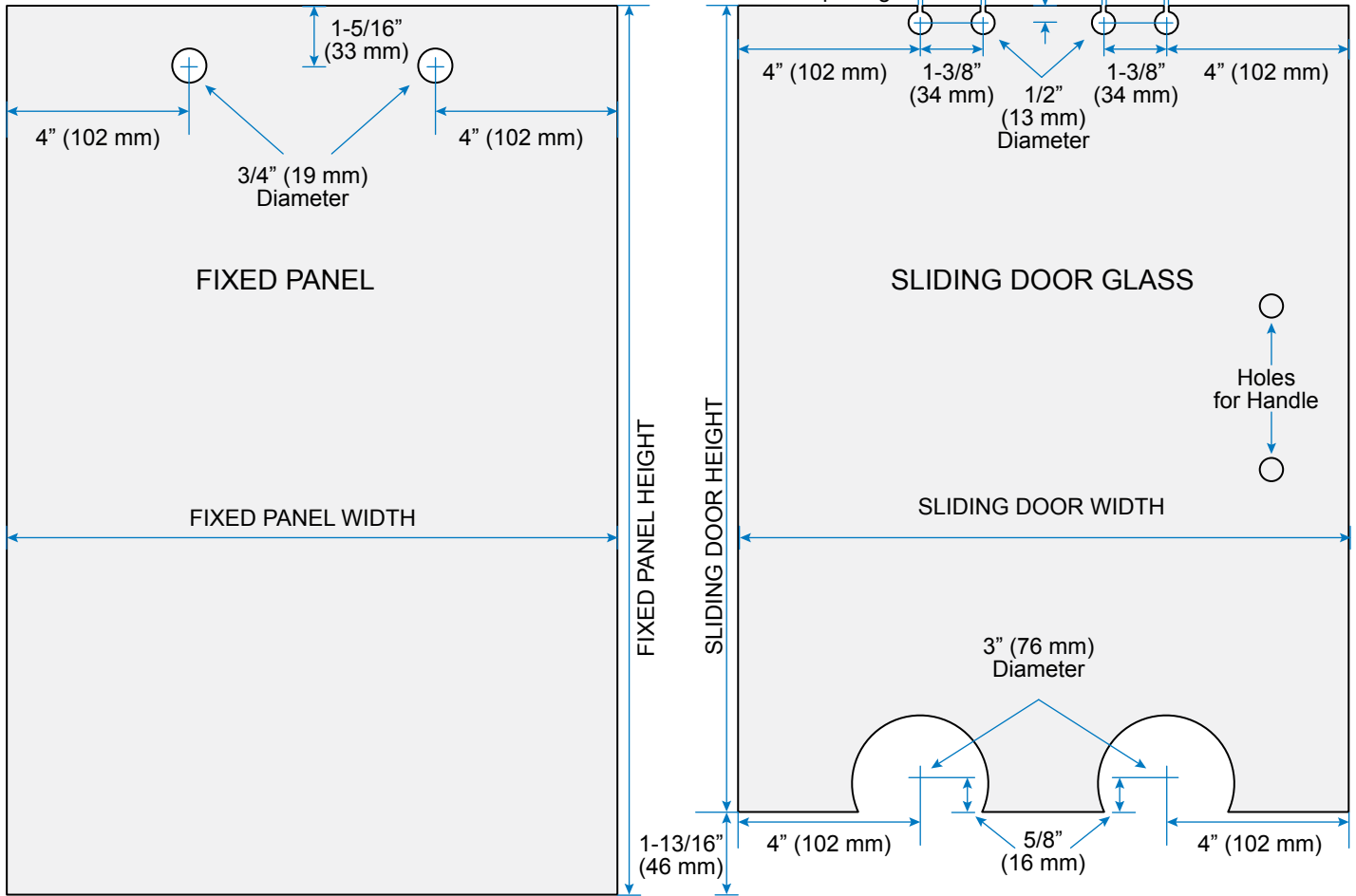
NOTE: For use with 3/8" or 1/2" (10 or 12 mm) Tempered Glass. Do Not use Laminated Glass.



Drawing not to scale. Shown from interior.

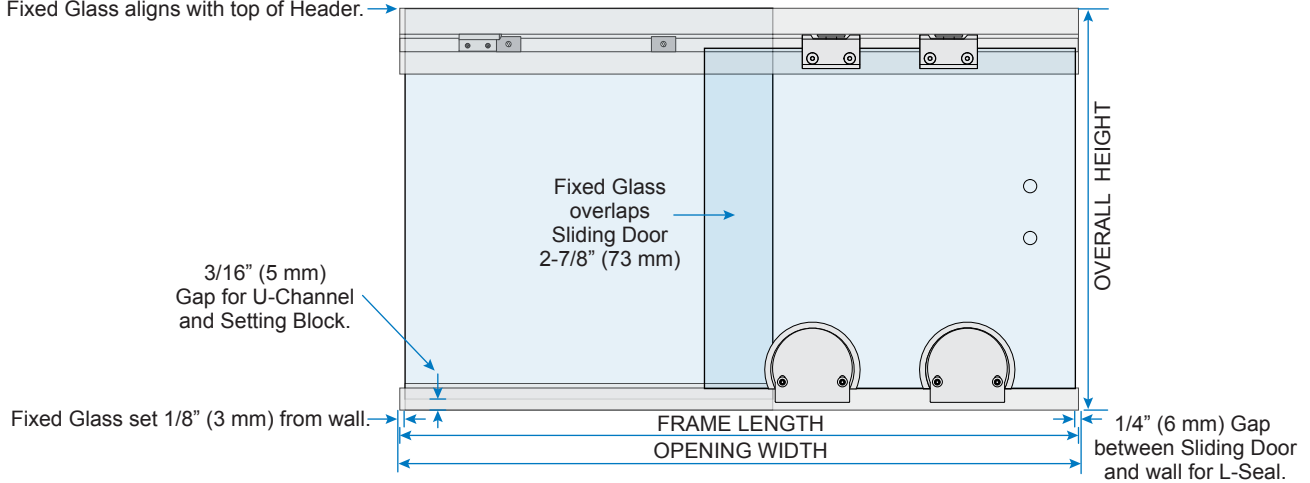
GLASS FABRICATION

NOTE: For use with 3/8" or 1/2" (10 or 12 mm) Tempered Glass. Do Not use Laminated Glass.



FIXED PANEL WIDTH : Opening Width Divided by 2 plus 1-1/4" (32 mm)
 FIXED PANEL HEIGHT : Overall Height minus 3/16" (5 mm)
 SLIDING DOOR WIDTH : Opening Width Divided by 2 plus 1-1/4" (32 mm)
 SLIDING DOOR HEIGHT : Overall Height minus 2" (51 mm)

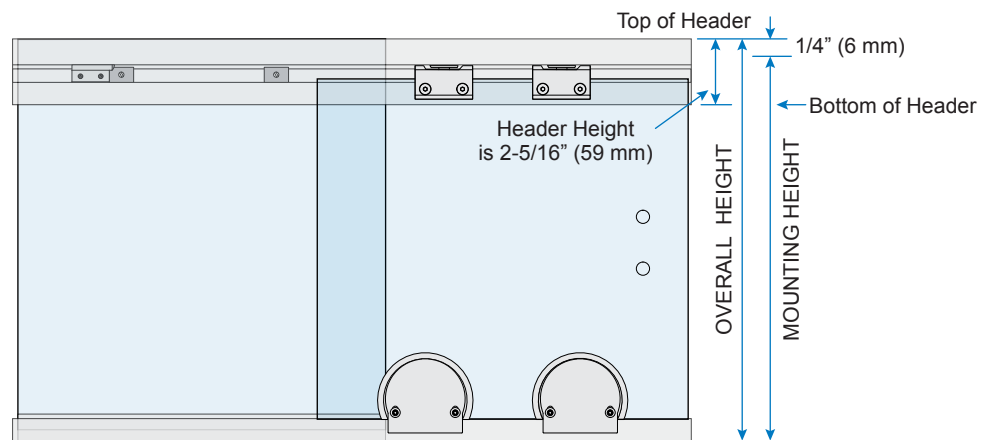
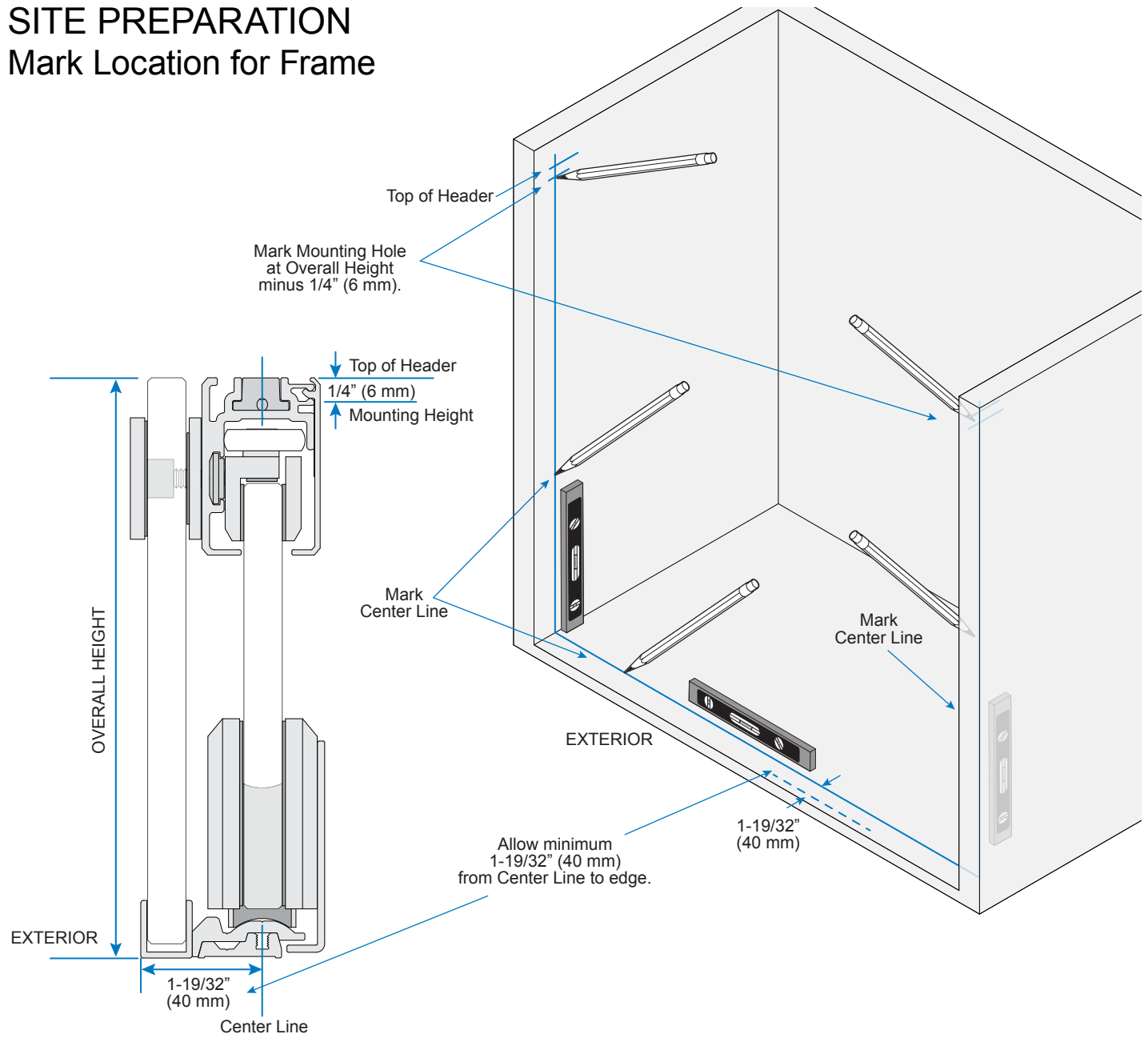
Fixed Glass aligns with top of Header.



NOTE: Drawings not shown to scale. Frame is cut 1/16" (2 mm) less than Opening Width and centered in opening. Overall Height is height from curb/floor to top of Header. Drawings shown from interior.

SITE PREPARATION

Mark Location for Frame



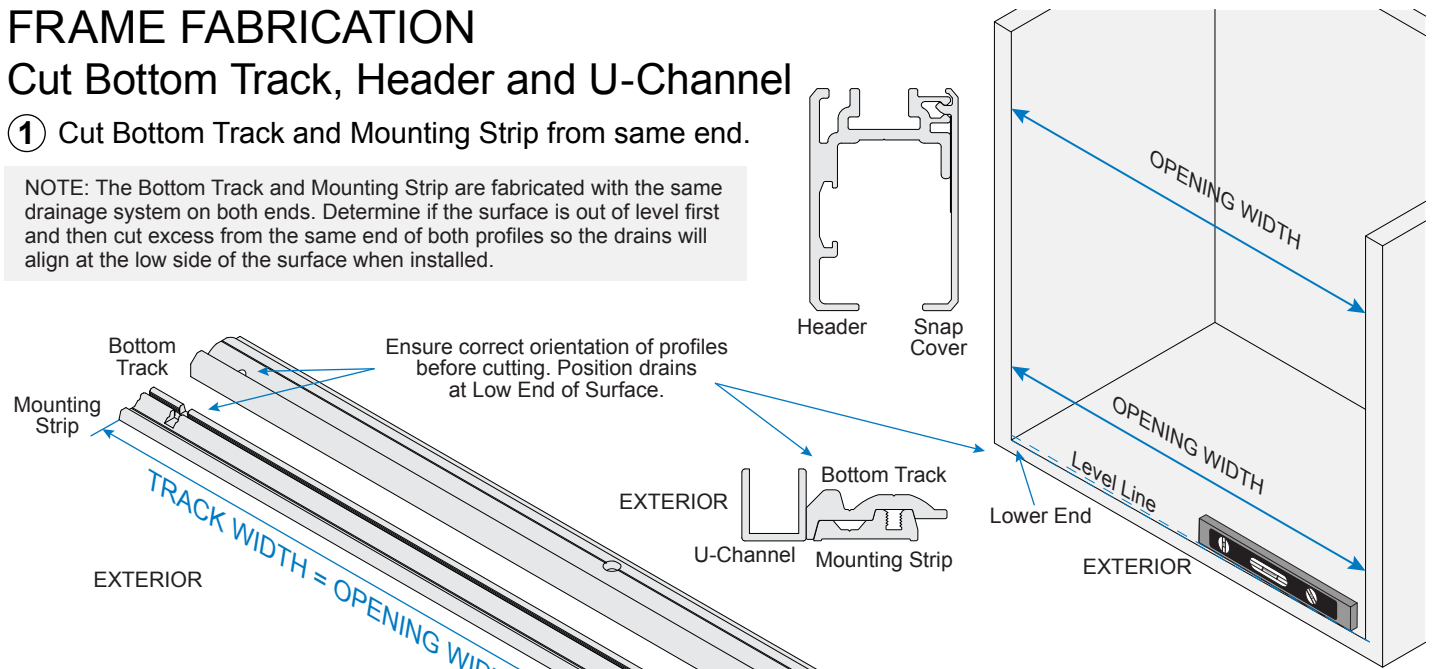
Drawing not to scale. Shown from interior.

FRAME FABRICATION

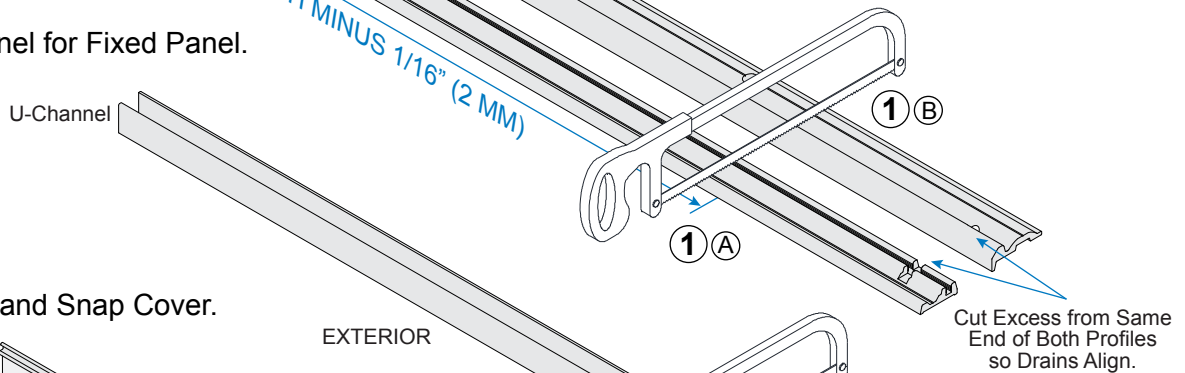
Cut Bottom Track, Header and U-Channel

① Cut Bottom Track and Mounting Strip from same end.

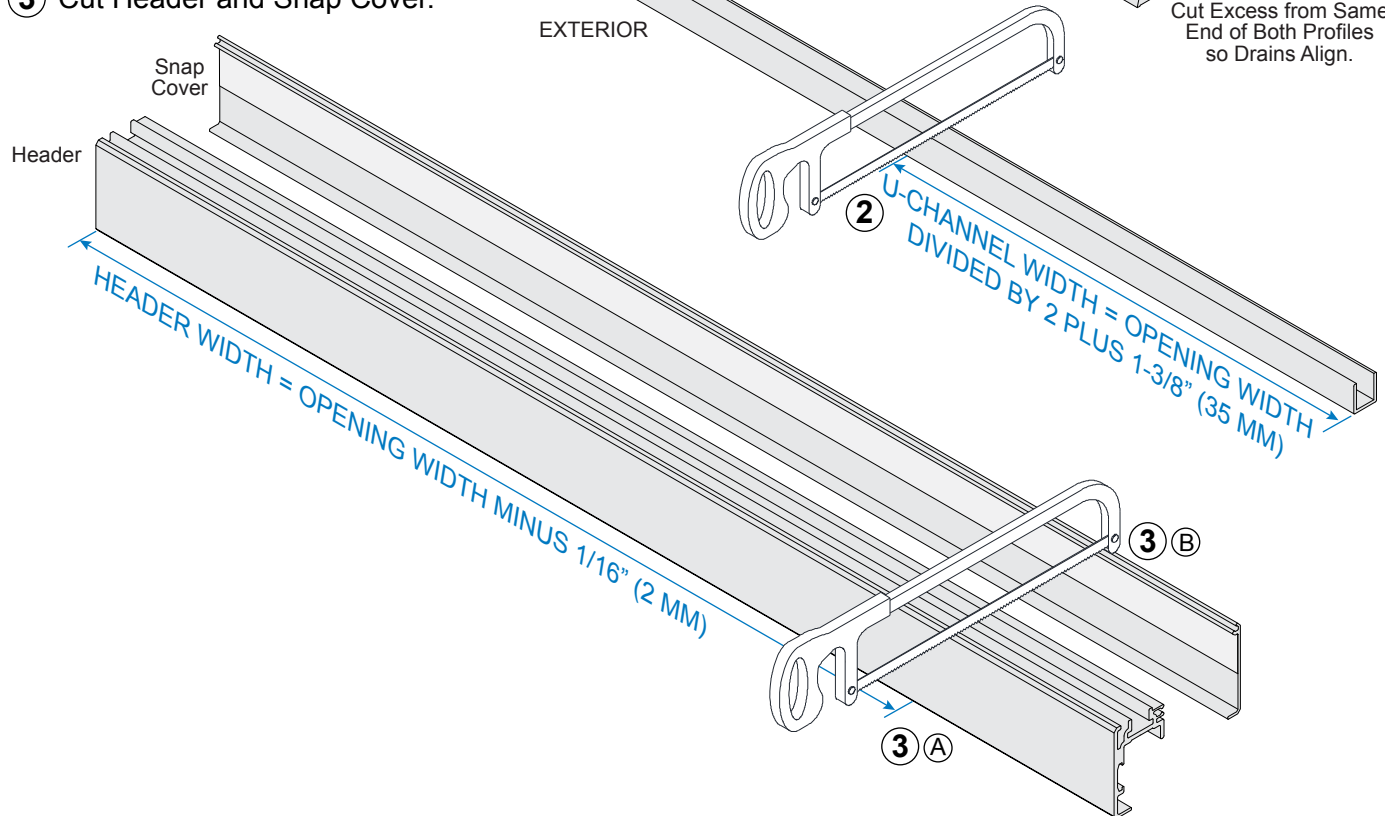
NOTE: The Bottom Track and Mounting Strip are fabricated with the same drainage system on both ends. Determine if the surface is out of level first and then cut excess from the same end of both profiles so the drains will align at the low side of the surface when installed.



② Cut U-Channel for Fixed Panel.



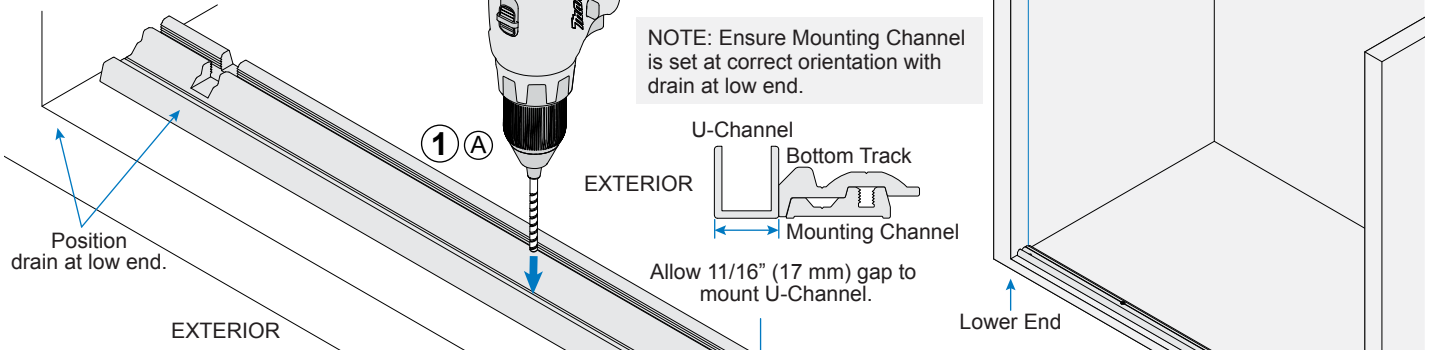
③ Cut Header and Snap Cover.



FRAME INSTALLATION

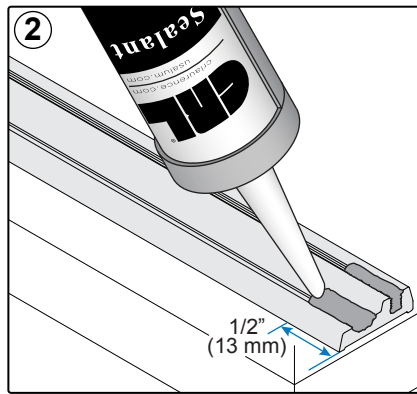
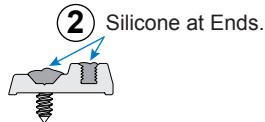
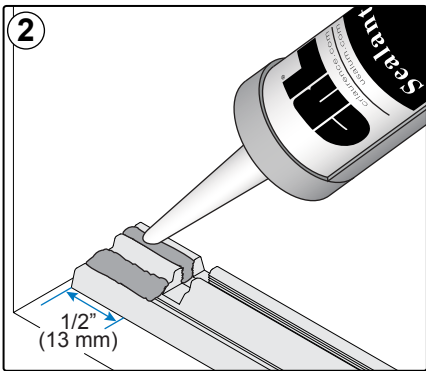
Install Mounting Strip

① Install Mounting Channel.



NOTE: Drill holes 6" (152 mm) from ends and 12" (305 mm) maximum in between.

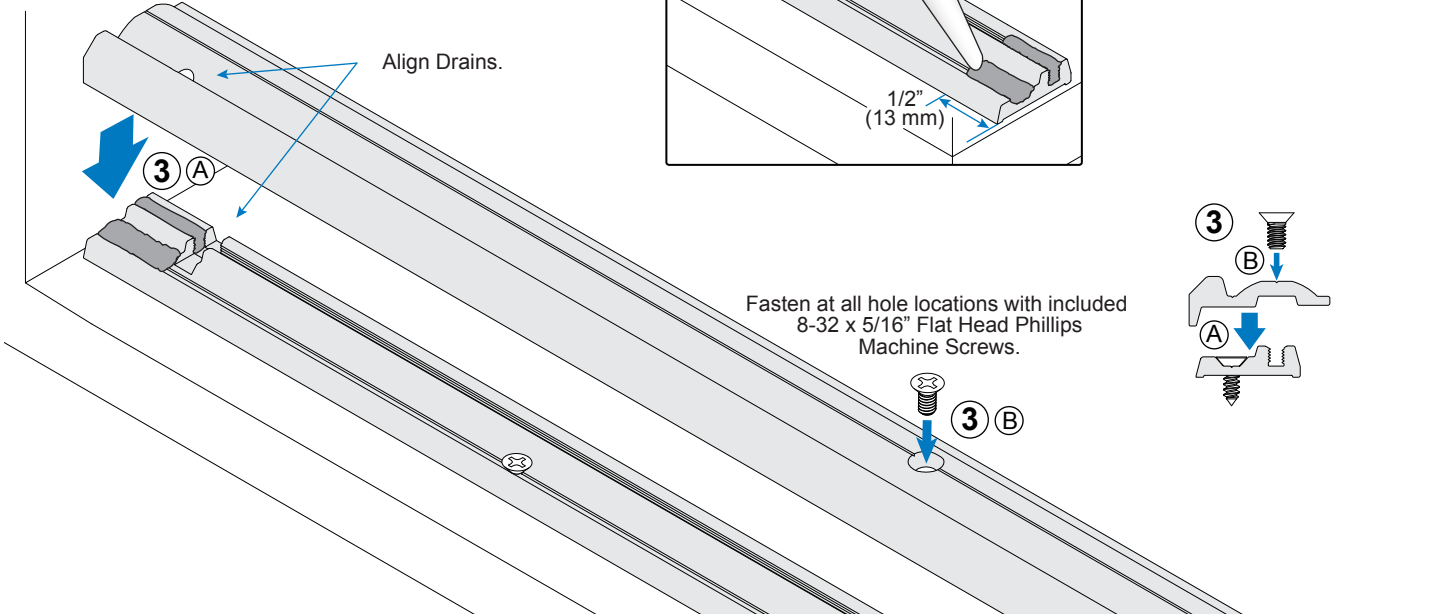
② Seal 1/2" (13 mm) at each end.



Mount with #8 Flat Head Screws suitable for substrate. Screws by others.

Install Bottom Track

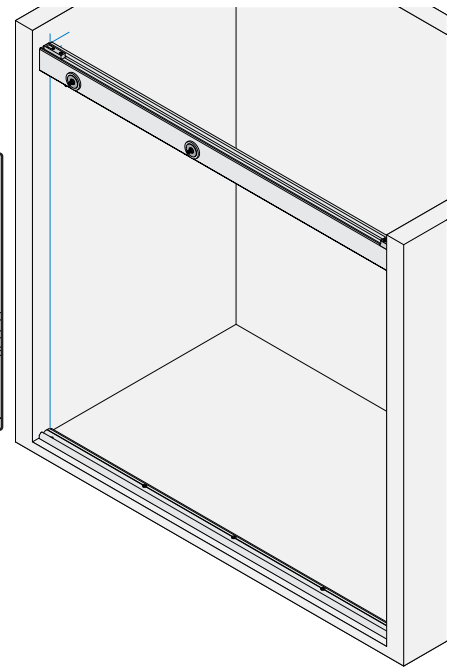
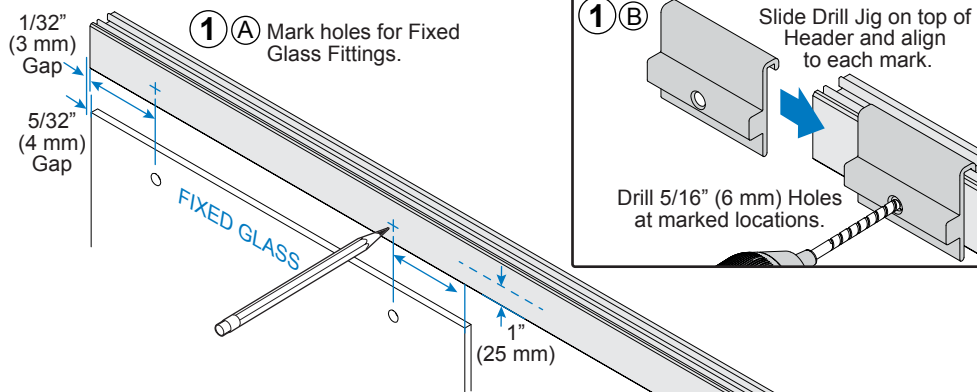
③ Install Bottom Track.



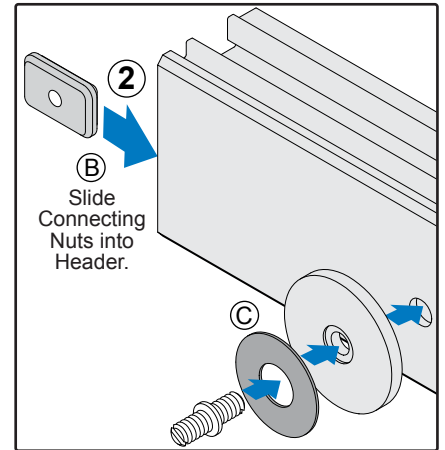
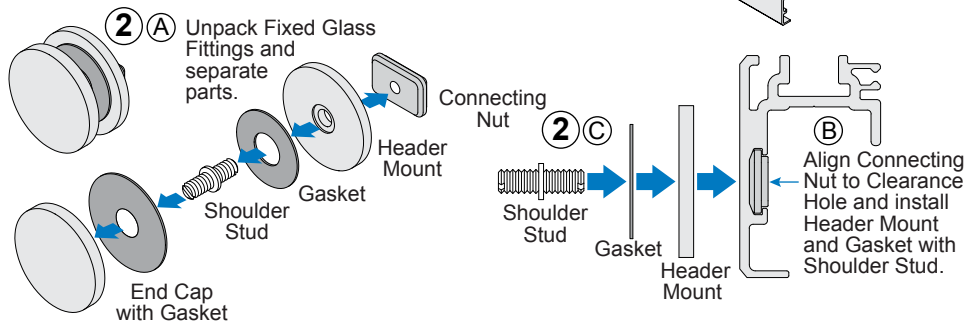
FRAME INSTALLATION (CONTINUED)

Prepare Header

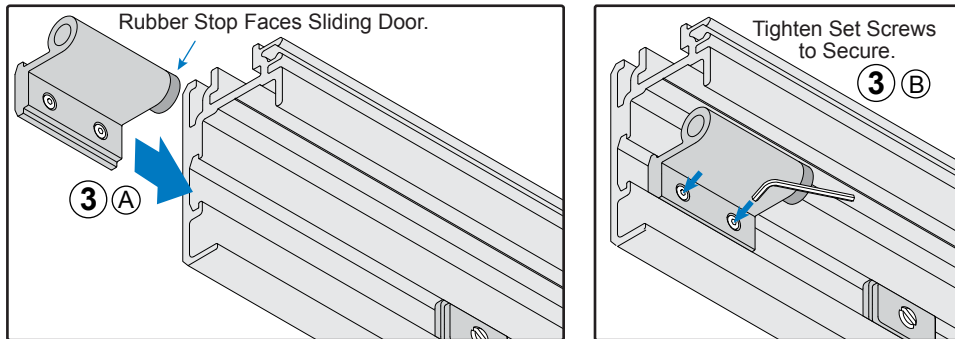
1 Drill clearance holes in Header for Fixed Glass Fittings.



2 Install Fixed Glass Fitting mounts.

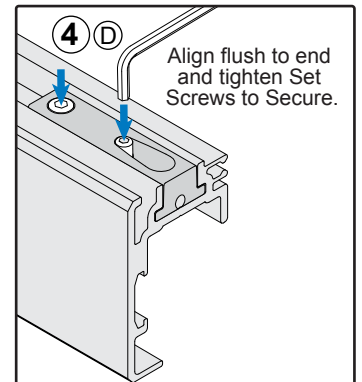
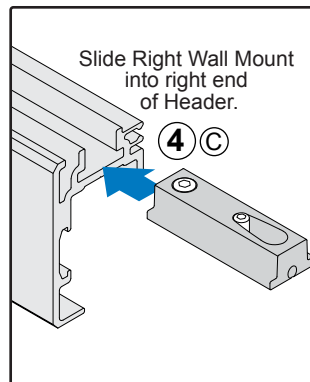
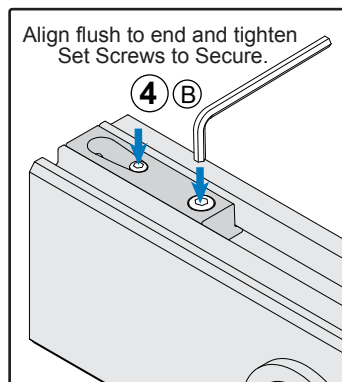
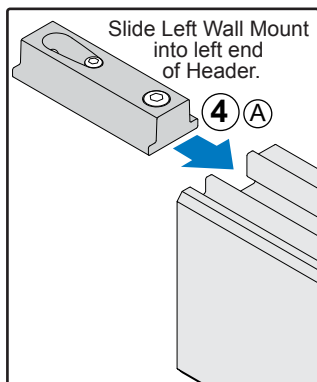


3 Install Roller Stop.



NOTE: Adjust Stop position after installing Sliding Door.

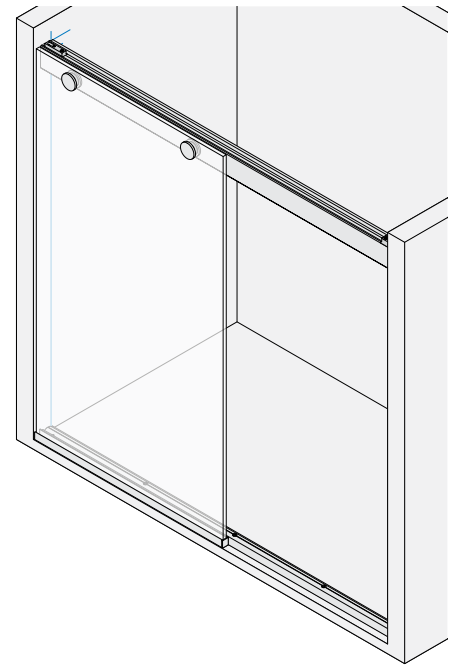
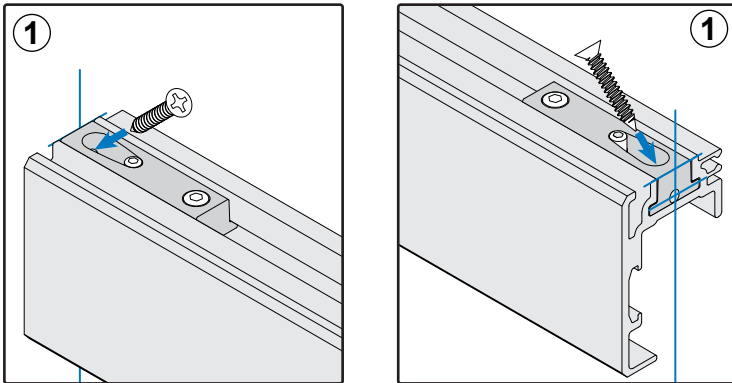
4 Install Right and Left Wall Mounts.



FRAME INSTALLATION (CONTINUED)

Install Header

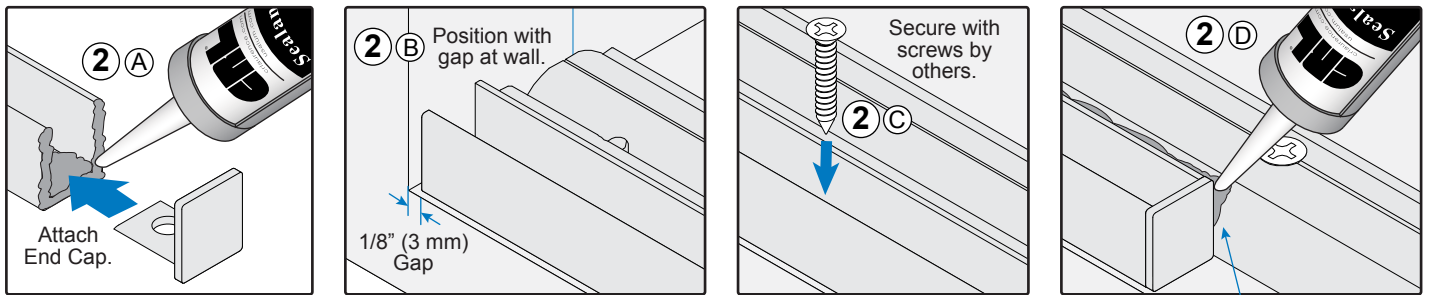
- ① Mount Header to walls.



Install U-Channel

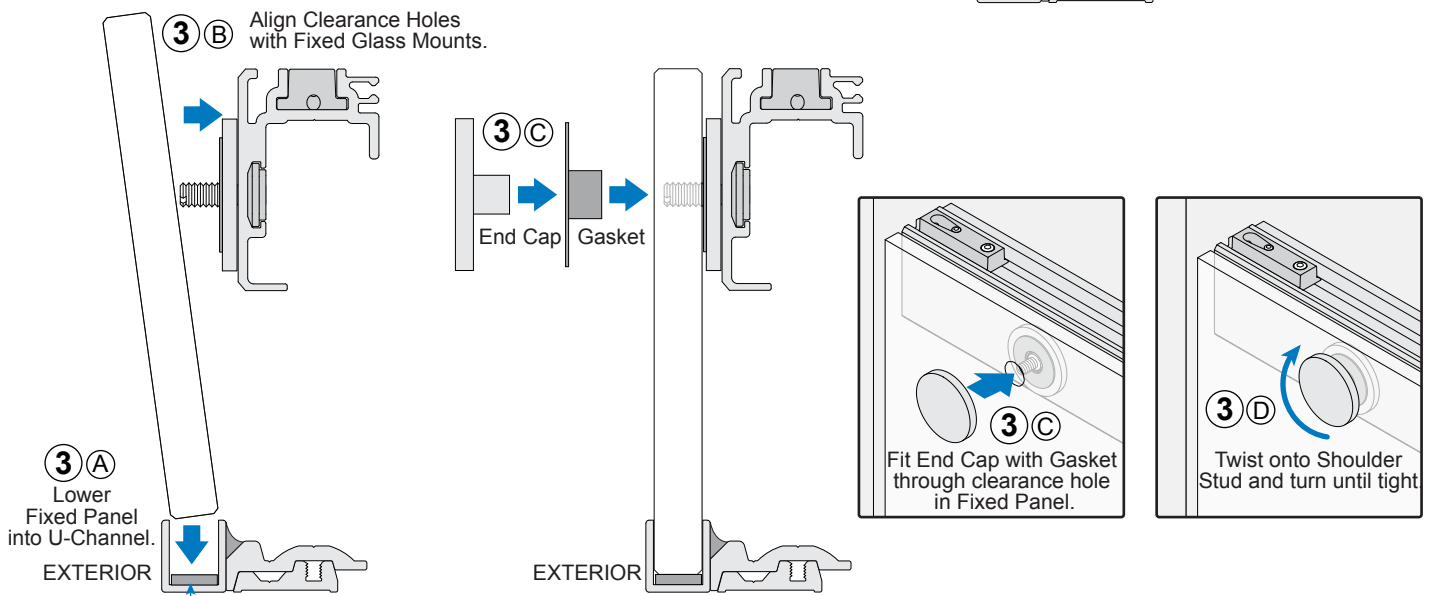
- ② Attach End Cap to U-Channel and mount 1/8" (3 mm) from wall.

NOTE: Use fasteners suitable for substrate. Space 6" (152 mm) from ends and 12" (305 mm) maximum in between.



Install Fixed Panel

- ③ Install Fixed Glass Panel.



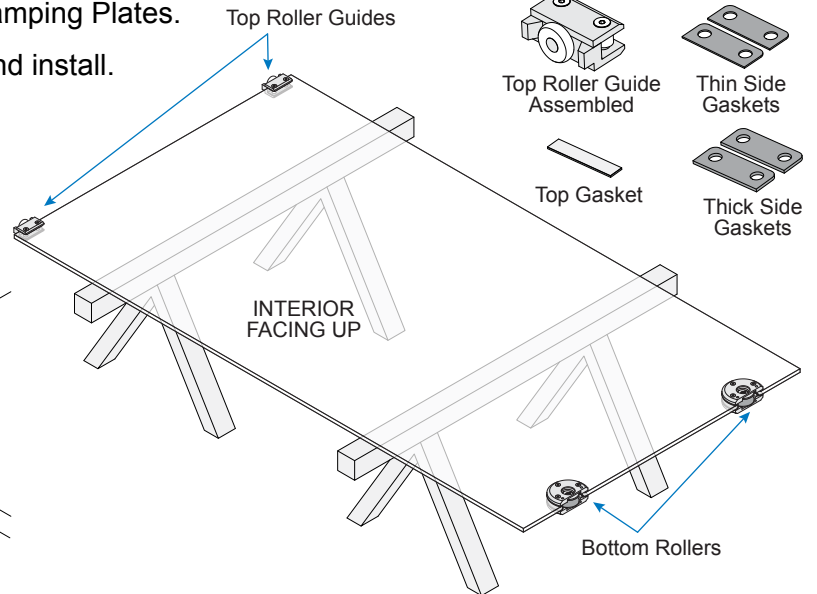
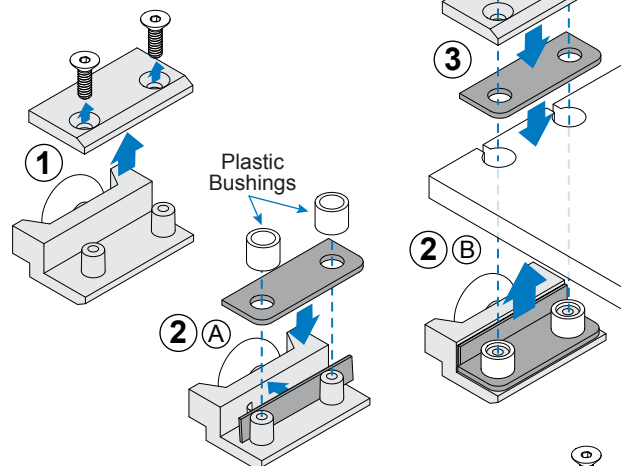
NOTE: Place Setting Blocks at quarter points in U-Channel before setting glass. (Setting Blocks not included)

SLIDING DOOR ASSEMBLY

Install Top Roller Guides

NOTE: Top Guides packaged with one top gasket, and two sets of side gaskets. Use Thick Gaskets for 3/8" (10 mm) glass or Thin Gaskets for 1/2" (12 mm) glass.

- ① Unpack Top Roller Guides and remove Clamping Plates.
- ② Remove protective liner from top gasket and install. Place Side Gasket on base. Install Plastic Bushings and fit into holes in glass.
- ③ Secure Clamping Plate with Side Gasket to Guide Body.

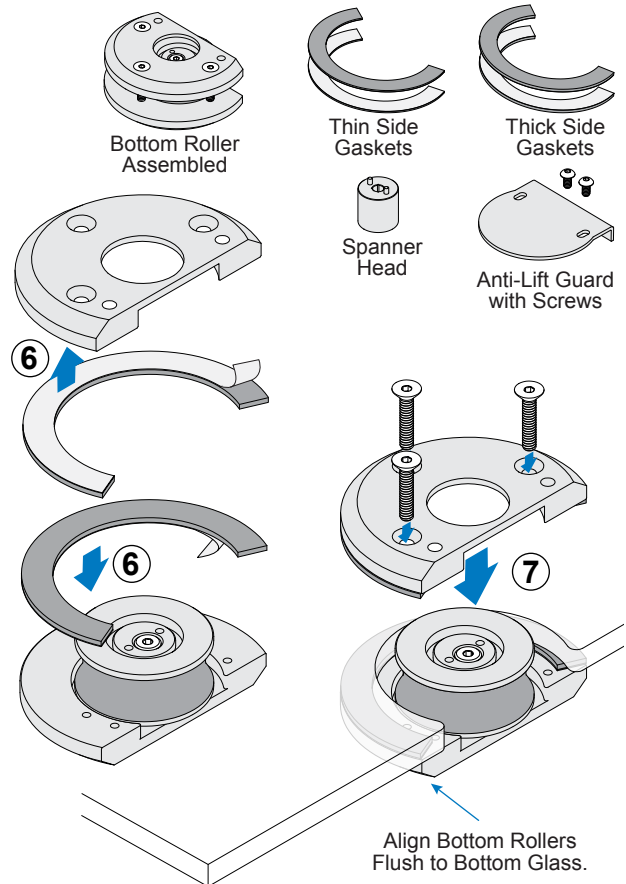
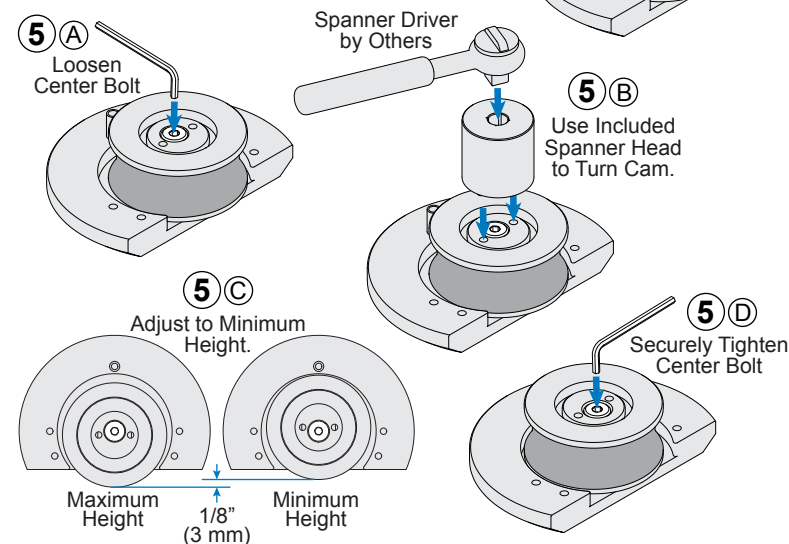


NOTE: Bottom Rollers packaged with two sets of side gaskets. Use Thick Gaskets for 3/8" (10 mm) glass or Thin Gaskets for 1/2" (12 mm) glass. Anti-Lift Guard is installed after door installation.

Install Bottom Rollers

- ④ Unpack Bottom Rollers and remove Clamping Plates.
- ⑤ Adjust wheel height and tighten.

NOTE: Loosen center bolt one full turn to adjust. Use included Spanner Head to rotate cam and raise wheel height +/- 1/8" (3 mm). Begin with wheel at minimum position. Tighten center bolt snugly to hold position.

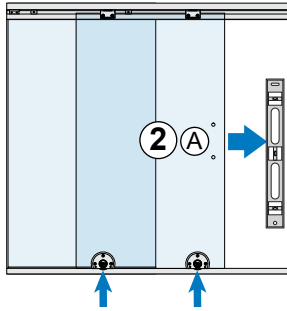


- ⑥ Remove protective liner from Side Gaskets. Install on Roller Body and Clamping Plate.
- ⑦ Fit Roller Body into hole in glass. Align Clamping Plate on other side and permanently tighten.

SLIDING DOOR INSTALLATION

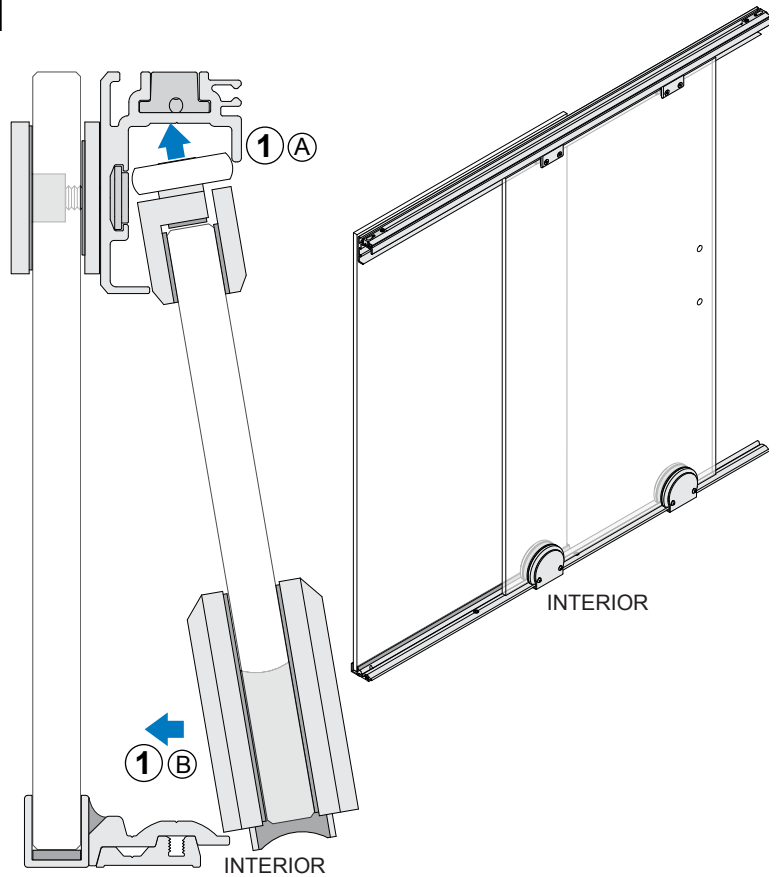
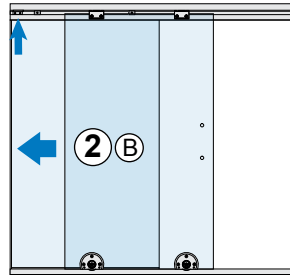
Install Sliding Door

- ① Lift Sliding Door up into header, swing into place and lower onto Bottom Track.
- ② Test door and adjust as needed.



② (A) Slide door to wall and check vertical reveal. See Page 10 to adjust wheel height. Tighten securely when finished.

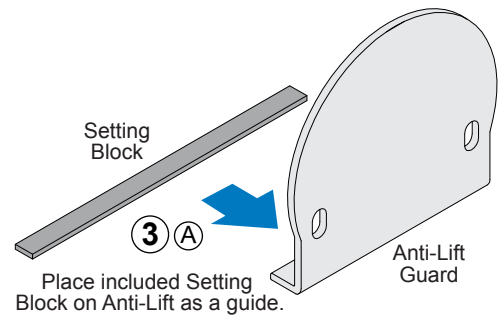
② (B) Slide Door to other side. Loosen Door Stop as shown on Page 8. Position so door does not run into wall and handle will not hit fixed panel glass. Tighten securely.



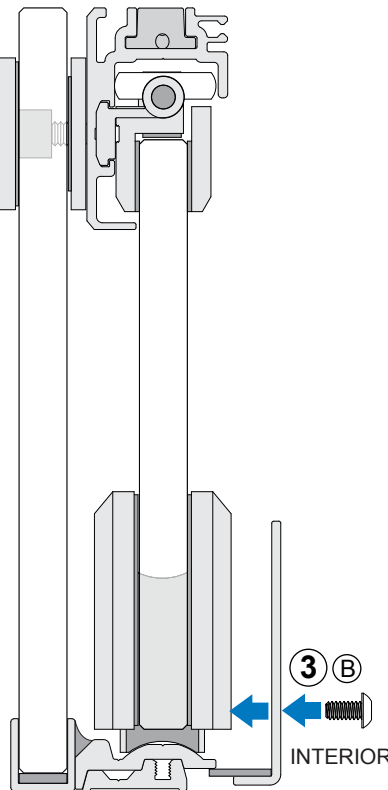
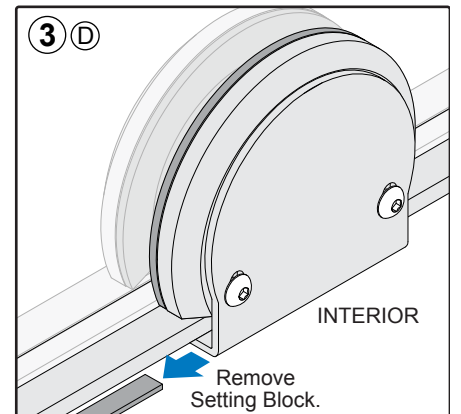
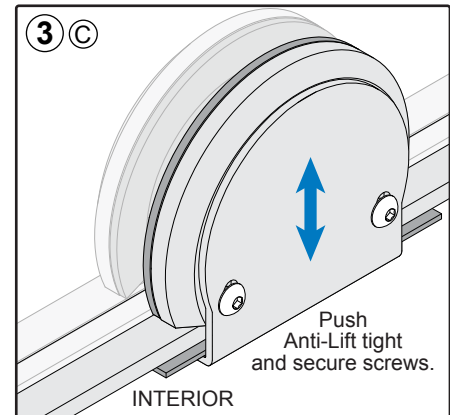
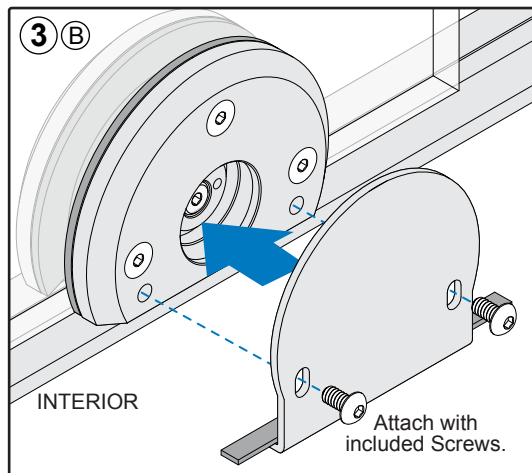
Install Anti-Lift Guides

- ③ Install Anti-Lift Guards on Rollers.

NOTE: The Anti-Lift Guard is installed with a 1/16" (1 mm) gap between the top of the guard and the bottom of the Bottom Track. Use included Setting Block as a guide for proper clearance.



③ (A) Place included Setting Block on Anti-Lift as a guide.

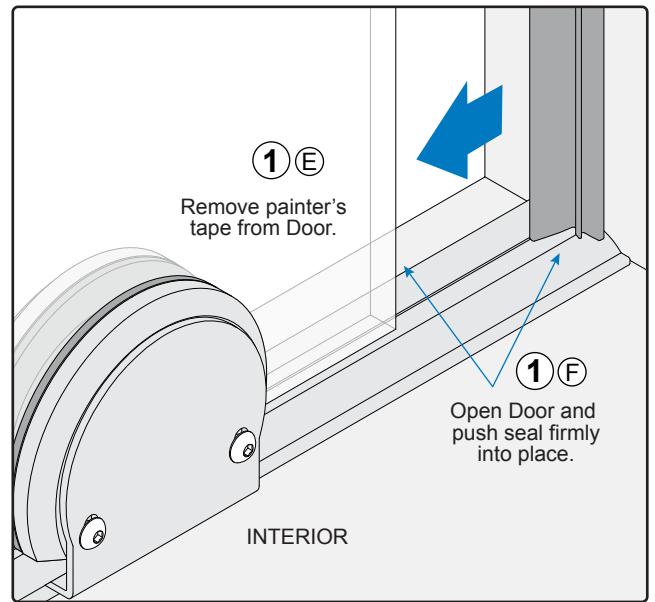
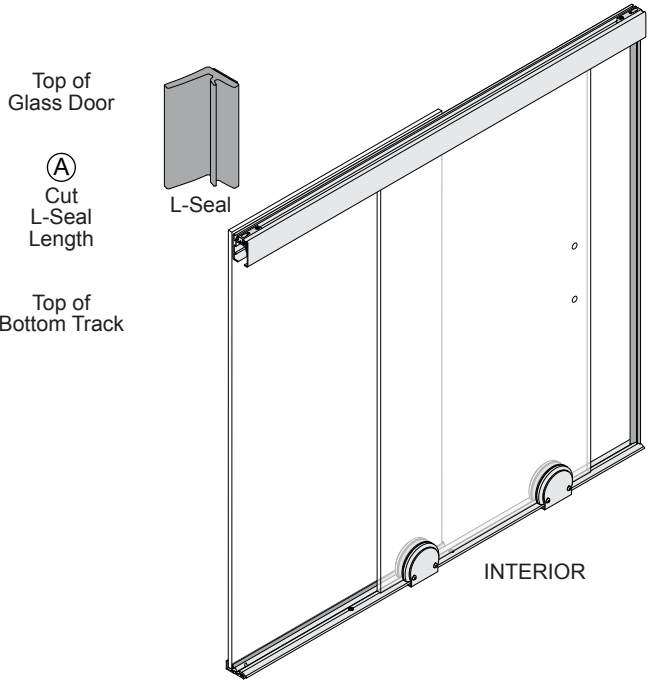
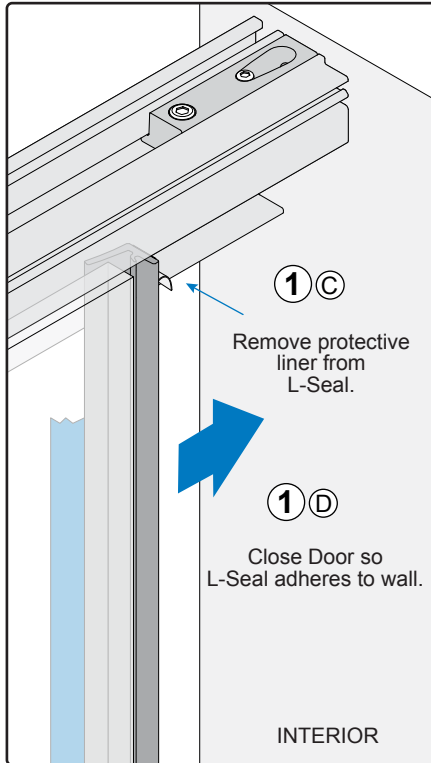
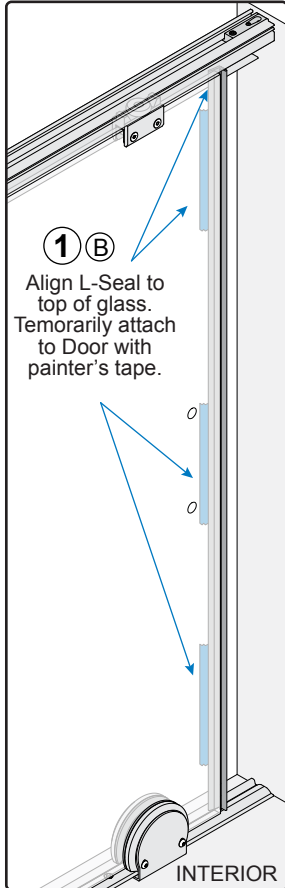
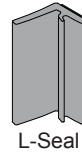
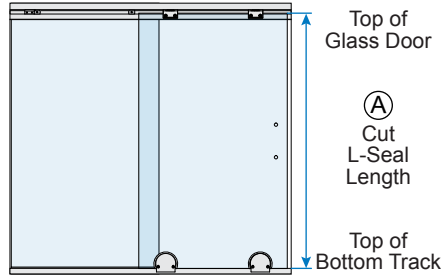


FINISHING

Install L-Seal

1 Cut and install L-Seal.

NOTE: Temporarily attach L-Seal to Sliding Door and use as guide for final position.



Install Snap Cover for Header

2 Attach Snap Cover to Header.

NOTE: Dry fit Snap Cover before permanently installing.

