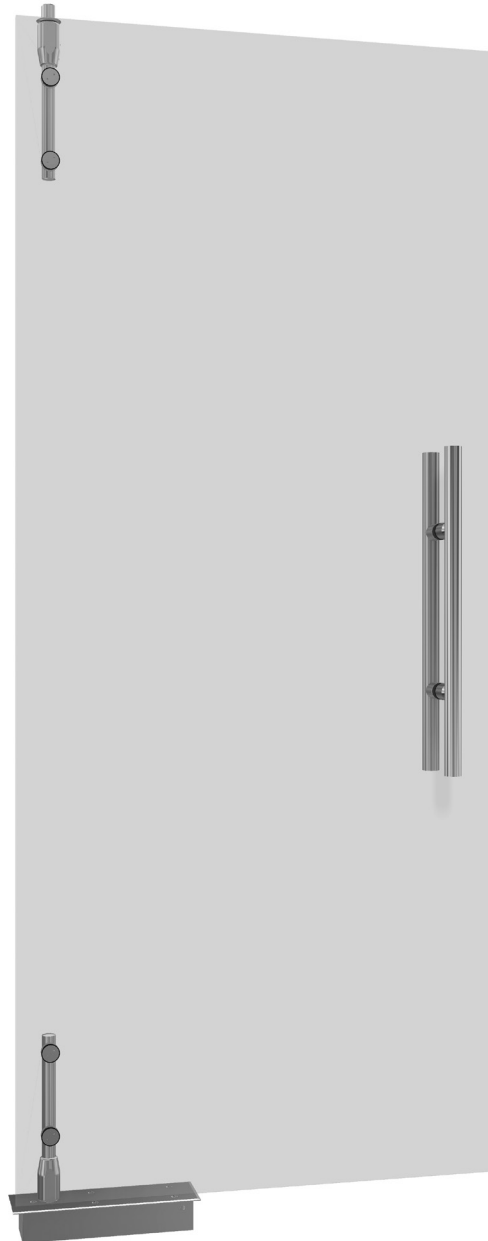




# INSTALLATION INSTRUCTIONS

[crlaurence.com](http://crlaurence.com)

## CRL LS14 LAGUNA SERIES PIVOT DOOR



# TABLE OF CONTENTS

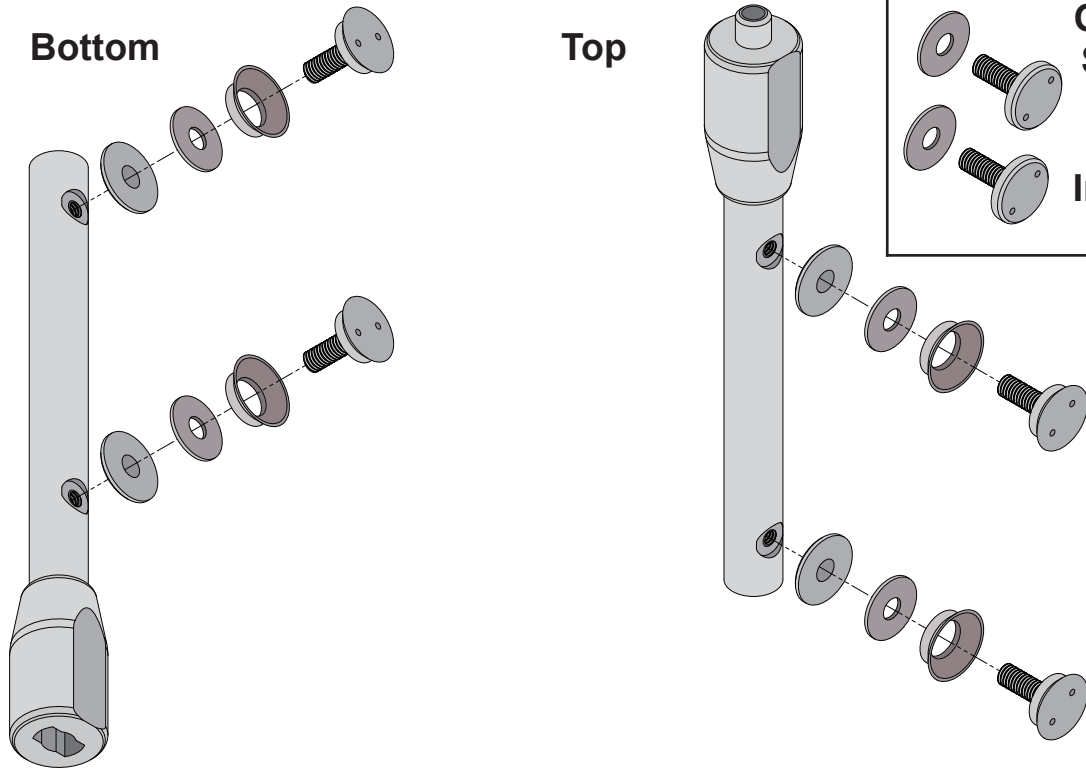
COMPONENT PARTS ..... 03

DOOR PREPARATION ..... 04

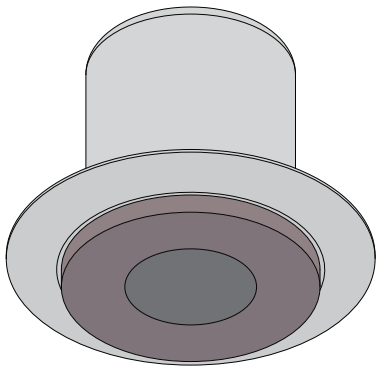
DOOR INSTALLATION ..... 05-06

# FLUSH MOUNT COMPONENT PARTS

## LS5 Pivot Rod Sets



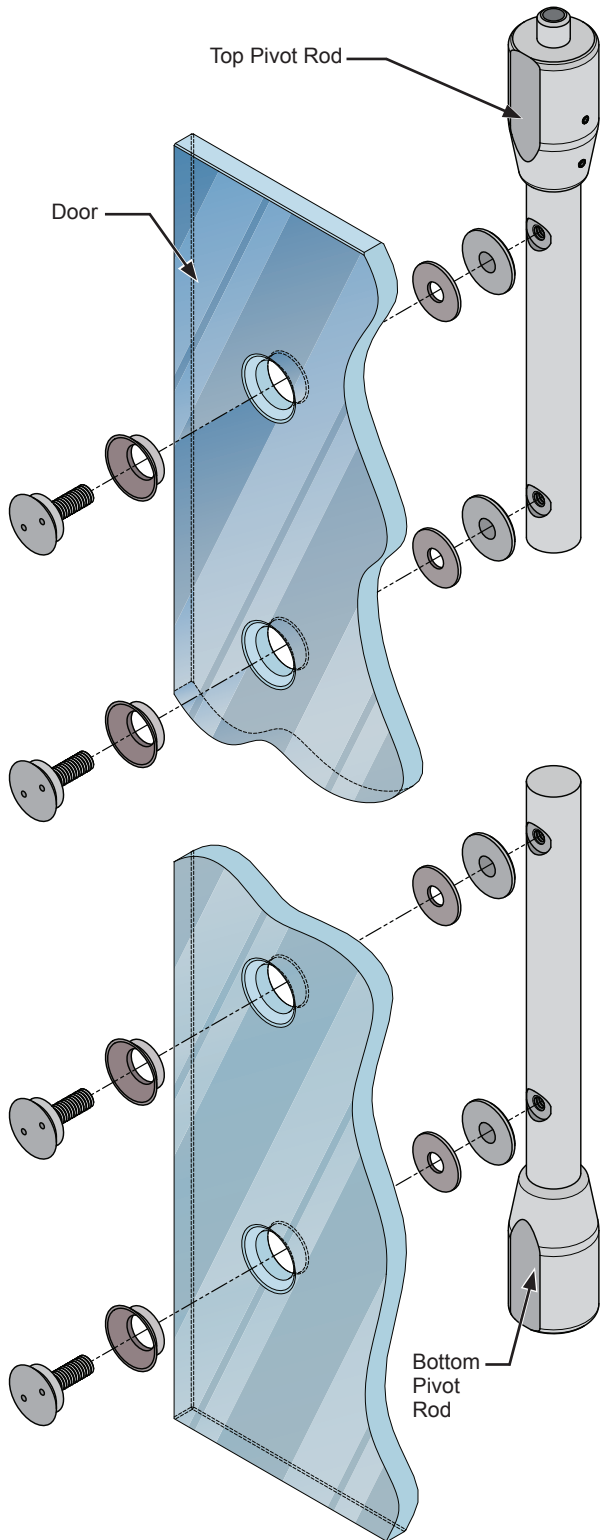
## LS1 Free-Swinging Top Pivot



# DOOR PREPARATION

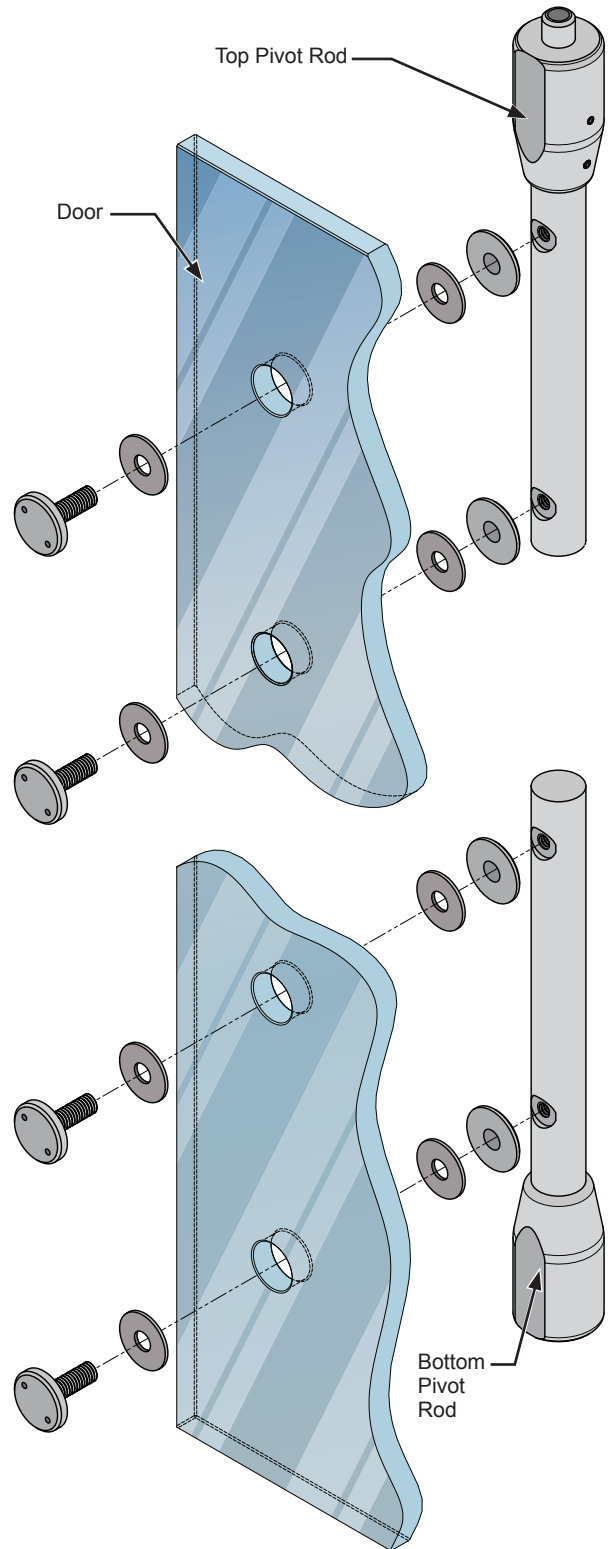
## FLUSH MOUNT PIVOT RODS INSTALLATION

1. Install the Pivot Rods to the door as shown.



## SURFACE MOUNT PIVOT RODS INSTALLATION

1. Install the Pivot Rods to the door as shown.



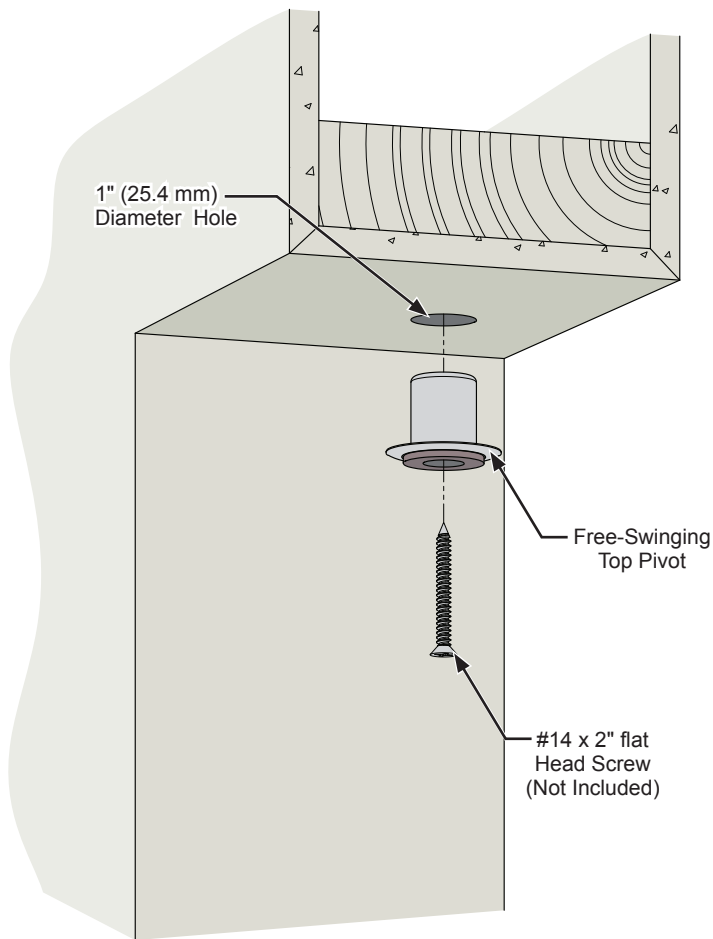
# DOOR INSTALLATION

## TOP PIVOT INSTALLATION

1. Drill a 1" (25.4 mm) diameter by 1-1/8" (28.5 mm) deep hole.
2. Secure the Free Swing Top Pivot with (1) #14 x 2" flat head screw (Not Included).
3. Install the floor closer or free swinging bottom pivot.

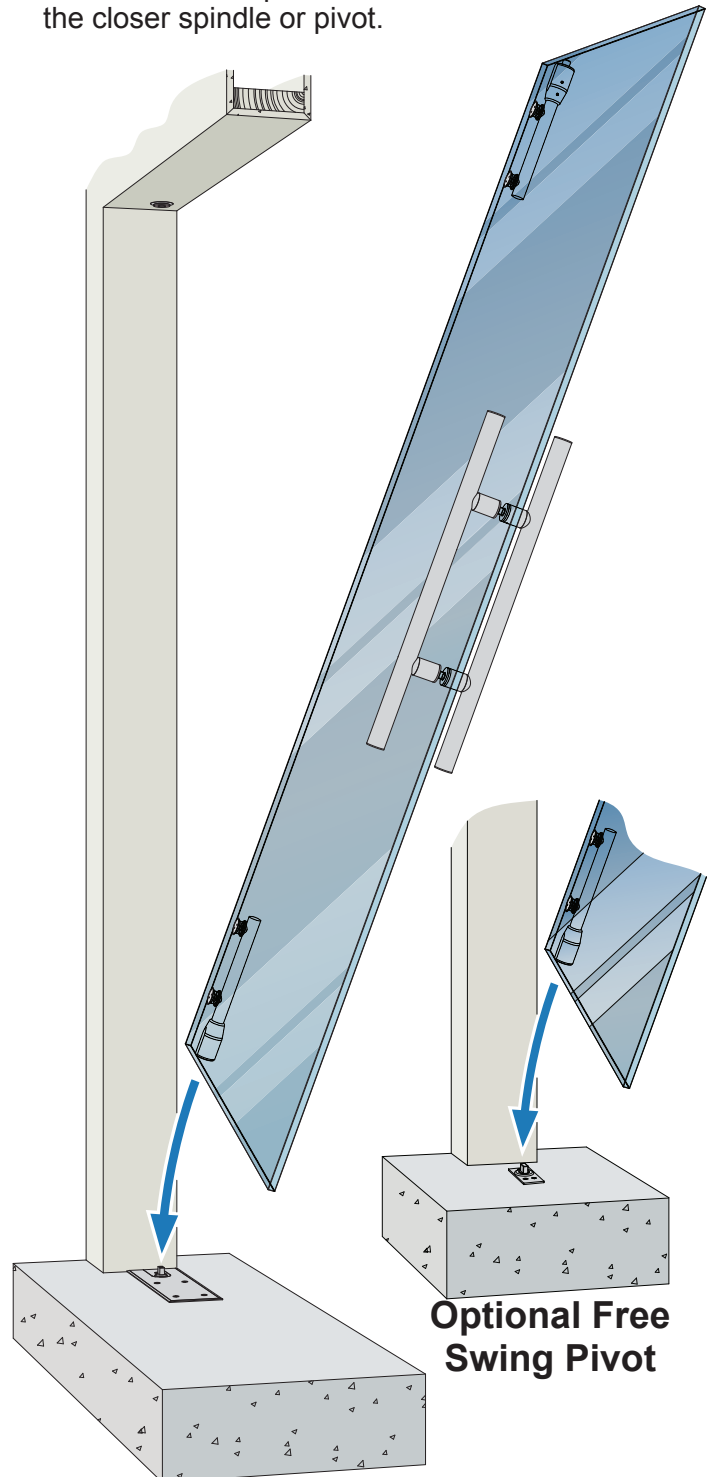
NOTE: Must be mounted to the drop soffit or ceiling with appropriate structural backing.

NOTE: Make sure to use a laser or plumb bob to ensure top and bottom pivots are aligned.



## INSTALL THE DOOR

1. Loosen the (2) 10-32 set screws on the spindle of the Top Pivot Rod and glide the top pivot knuckle down.
2. Lift the door and place the Bottom Pivot Rod onto the closer spindle or pivot.



# DOOR INSTALLATION

## SECURE THE DOOR TO THE TOP PIVOT

1. Lift the spindle upwards into the Free-Swinging Top Pivot.
2. Secure the spindle by re-tightening the (2) 10-32 set screws.

