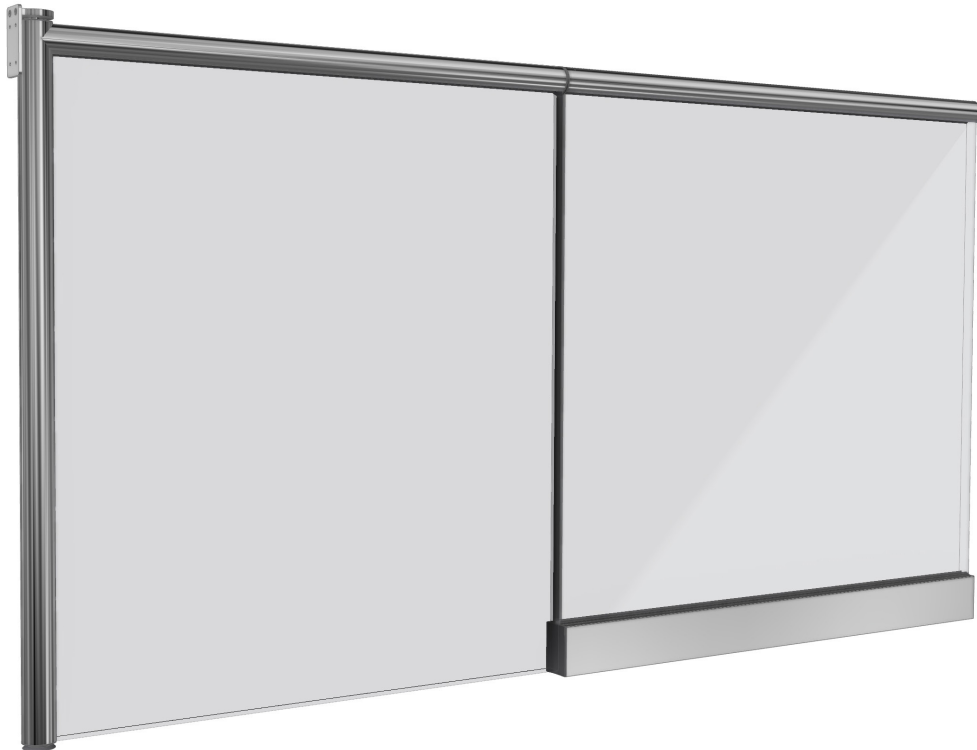


GRS 1202 Series Swinging Glass Gate Systems



HANDLING, STORAGE, AND PROTECTION OF ALUMINUM

The following precautions are recommended to protect the material against damage. Following these precautions will help ensure early acceptance of your products and workmanship.

A. HANDLE CAREFULLY.

All aluminum materials at job site must be stored in a safe place, well removed from possible damage by other trades. Cardboard wrapped or paper interleaved materials must be kept dry.

B. CHECK ARRIVING MATERIALS.

Check for quantities and keep records of where various materials are stored.

C. KEEP MATERIALS AWAY FROM WATER, MUD, AND SPRAY.

Prevent cement plaster or other materials from damaging the finish.

D. PROTECT THE MATERIALS AFTER ERECTION.

Protect erected frame with polyethylene or canvas splatter screen. Cement, plaster, terrazzo, other alkaline solutions, and acid based materials used to clean masonry are harmful to the finish. If any of these materials come in contact with the aluminum, immediately remove with water and mild soap.

INTRODUCTION

The GRS 1202 Series Gate Systems are an offshoot of our Wedge-Lock™ Door Rail System, and can be combined with our GRS Cap Rails. The top and bottom of the Gate swings on heavy-duty ball bearing pivots. Our engineers have designed a unique In-Rail Closing Mechanism which is concealed in the vertical post, eliminating the need for large enclosures in the floor. The closer always returns the Gate to the closed position, and the closing speed is adjustable.

SYSTEM LIMITATIONS

For 1/2" (12 mm) Tempered Monolithic Glass

42" (1067 mm) Recommended Maximum Gate Width

72" (1829 mm) Recommended Maximum Gate Height

36 x 42 (965 mm) Minimum Gate Height.

Note: Check local building codes. 40" (1016 mm) is the minimum gate height for certain uses.

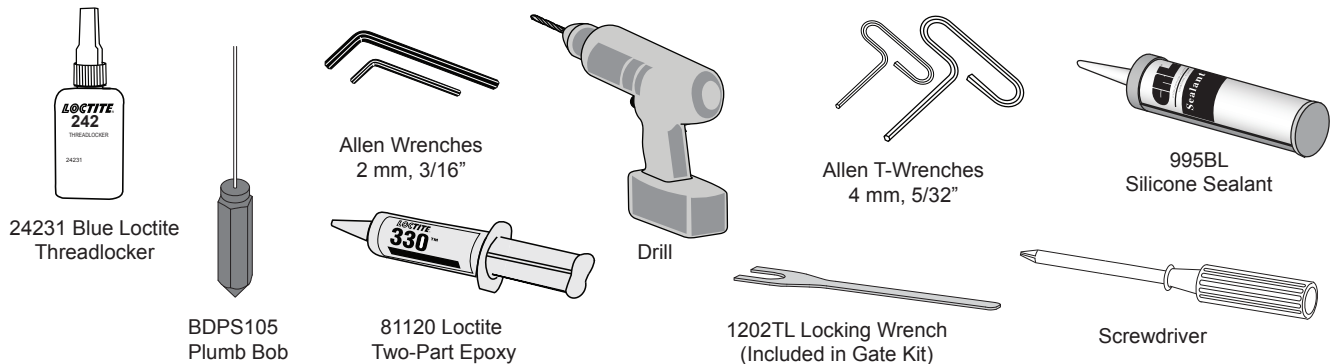
PREPARE AREA

Install the section of railing the gate mounts to first. Then install remaining railing.

ORDER OF ASSEMBLY AND INSTALLATION

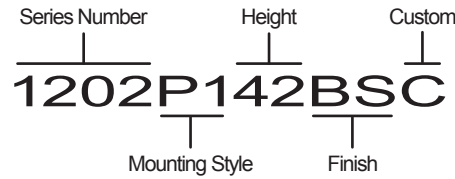
INTRODUCTION	2
SYSTEM LIMITATIONS	2
PREPARE AREA	2
TOOLS NEEDED	2
PARTS LIST	4
MOUNTING HARDWARE SELECTION	4
STANDARD CONFIGURATIONS AVAILABLE	4
ASSEMBLE TUBE	5
INSTALL GLASS	6
ATTACH TOP CAP RAIL (OPTIONAL)	6
ATTACH BASE RAIL (OPTIONAL)	6
INSTALL MOUNTING HARDWARE	7
INSTALL POST MOUNT HARDWARE	7
INSTALL WALL MOUNT HARDWARE	7
INSTALL PATCH MOUNT HARDWARE	7
INSTALL TUBE	8
INSTALL FLOOR RECEIVER DIRECTLY BELOW PIVOT POINT	8
INSTALL TUBE AND SECURE	8
ADJUST TUBE POSITION	9 - 10
ADJUST TO PLUMB	9
ADJUST HEIGHT	10
CENTER PIVOT	10
ADJUST CLOSING SPEED	11
INSTALL CLADDING	11

TOOLS NEEDED

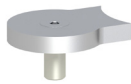


PARTS LIST

Use the key below to breakdown part numbers. Three styles of mounting hardware are compatible with all kits and are available in two finishes, brushed or polished stainless. The standard kits are 36" x 42" (914 mm x 1067 mm). The custom kits are not listed here.



Mounting Hardware Selection



Post Mount : P



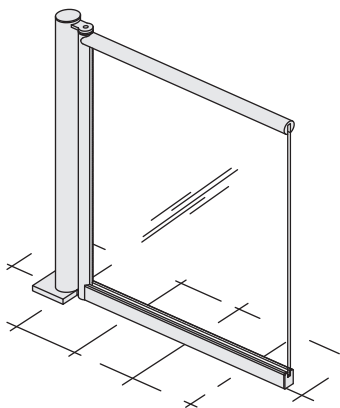
Glass Mount : G



Wall Mount : W

Standard Configurations Available

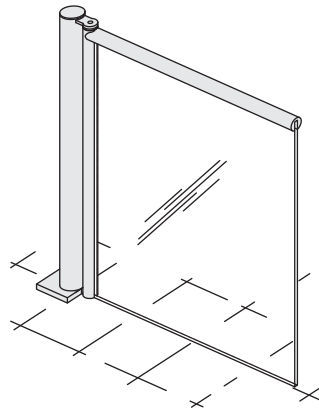
NOTE: Post Mount shown in illustrations. Wall and Glass Mounts also available.



1202P142BS / 1202P142PS
 CRL GRS 1202 SERIES "TYPE P1"
 POST MOUNT SWINGING GLASS
 GATE KIT 36 x 42 BRUSHED OR
 POLISHED STAINLESS STEEL

1202W142BS / 1202W142PS
 CRL GRS 1202 SERIES "TYPE W1"
 POST MOUNT SWINGING GLASS
 GATE KIT 36 x 42 BRUSHED OR
 POLISHED STAINLESS STEEL

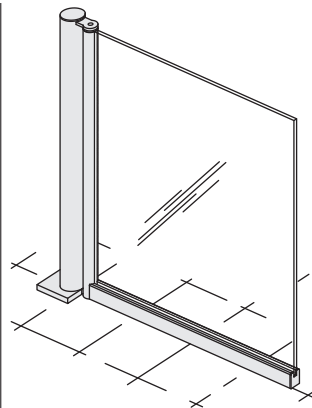
1202G142BS / 1202G142PS
 CRL GRS 1202 SERIES "TYPE G1"
 POST MOUNT SWINGING GLASS
 GATE KIT 36 x 42 BRUSHED OR
 POLISHED STAINLESS STEEL



1202P242BS / 1202P242PS
 CRL GRS 1202 SERIES "TYPE P2"
 POST MOUNT SWINGING GLASS
 GATE KIT 36 x 42 BRUSHED OR
 POLISHED STAINLESS STEEL

1202W242BS / 1202W242PS
 CRL GRS 1202 SERIES "TYPE W2"
 POST MOUNT SWINGING GLASS
 GATE KIT 36 x 42 BRUSHED OR
 POLISHED STAINLESS STEEL

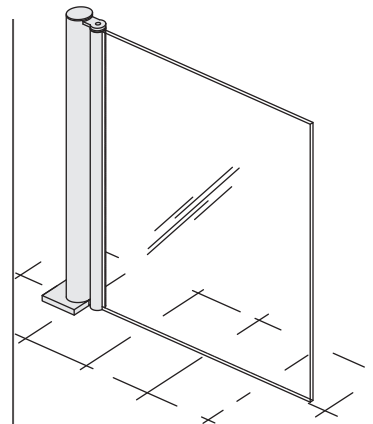
1202G242BS / 1202G242PS
 CRL GRS 1202 SERIES "TYPE G2"
 POST MOUNT SWINGING GLASS
 GATE KIT 36 x 42 BRUSHED OR
 POLISHED STAINLESS STEEL



1202P342BS / 1202P342PS
 CRL GRS 1202 SERIES "TYPE P3"
 POST MOUNT SWINGING GLASS
 GATE KIT 36 x 42 BRUSHED OR
 POLISHED STAINLESS STEEL

1202W342BS / 1202W342PS
 CRL GRS 1202 SERIES "TYPE W3"
 POST MOUNT SWINGING GLASS
 GATE KIT 36 x 42 BRUSHED OR
 POLISHED STAINLESS STEEL

1202G342BS / 1202G342PS
 CRL GRS 1202 SERIES "TYPE G3"
 POST MOUNT SWINGING GLASS
 GATE KIT 36 x 42 BRUSHED OR
 POLISHED STAINLESS STEEL



1202P442BS / 1202P442PS
 CRL GRS 1202 SERIES "TYPE P4"
 POST MOUNT SWINGING GLASS
 GATE KIT 36 x 42 BRUSHED OR
 POLISHED STAINLESS STEEL

1202W442BS / 1202W442PS
 CRL GRS 1202 SERIES "TYPE W4"
 POST MOUNT SWINGING GLASS
 GATE KIT 36 x 42 BRUSHED OR
 POLISHED STAINLESS STEEL

1202G442BS / 1202G442PS
 CRL GRS 1202 SERIES "TYPE G4"
 POST MOUNT SWINGING GLASS
 GATE KIT 36 x 42 BRUSHED OR
 POLISHED STAINLESS STEEL

UNPACK AND ASSEMBLE TUBE

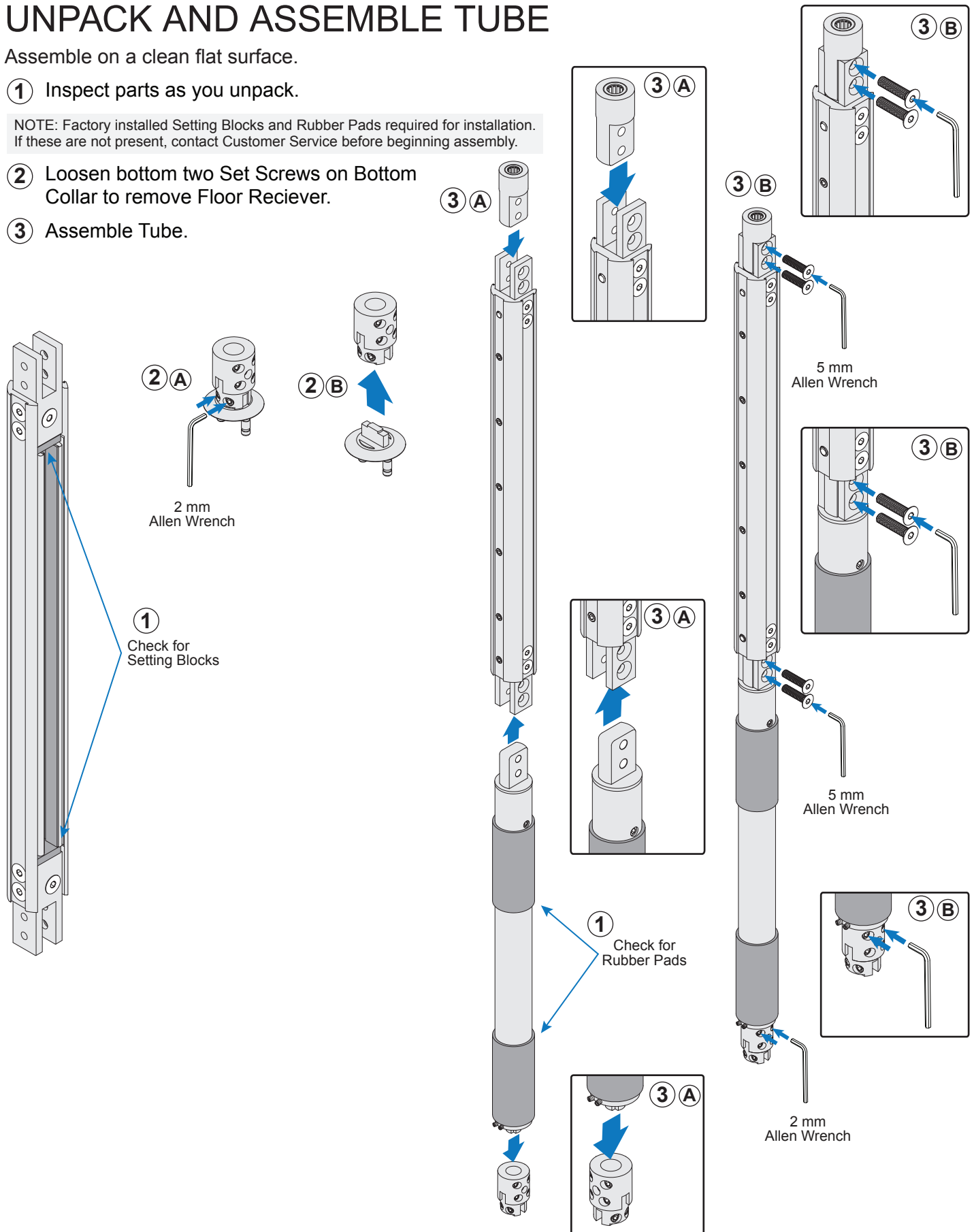
Assemble on a clean flat surface.

- 1 Inspect parts as you unpack.

NOTE: Factory installed Setting Blocks and Rubber Pads required for installation. If these are not present, contact Customer Service before beginning assembly.

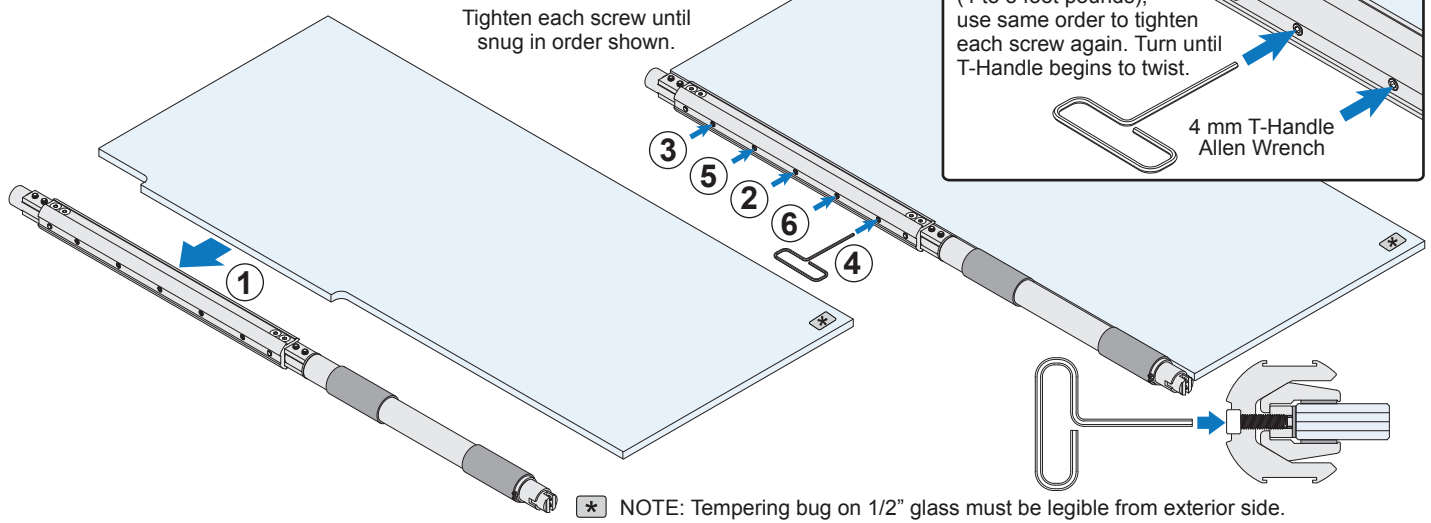
- 2 Loosen bottom two Set Screws on Bottom Collar to remove Floor Receiver.

- 3 Assemble Tube.

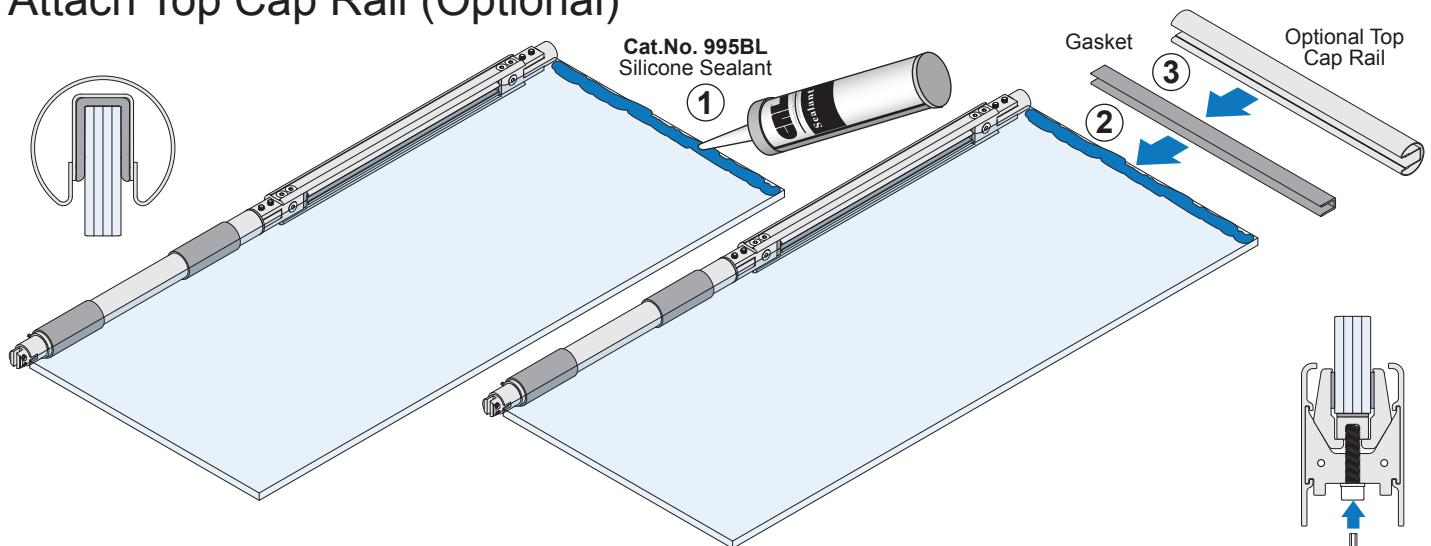


INSTALL GLASS

NOTE: If your kit has factory installed glass, proceed to install Top Cap Rail and Base Rail if applicable. Follow tightening sequence shown to ensure proper torque is achieved.

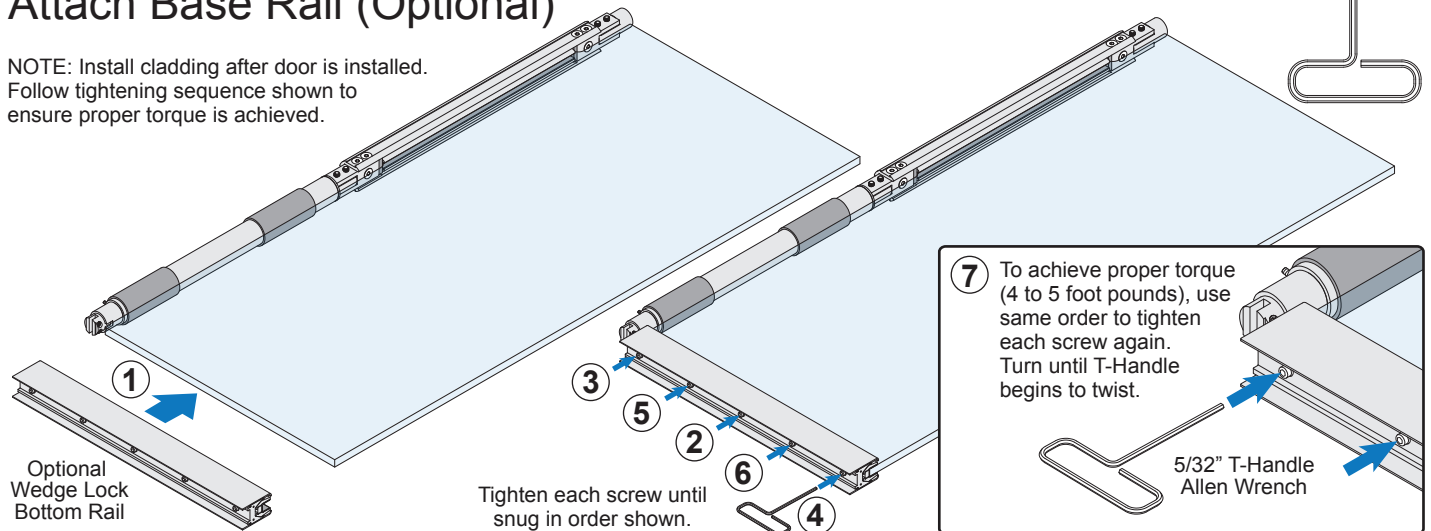


Attach Top Cap Rail (Optional)



Attach Base Rail (Optional)

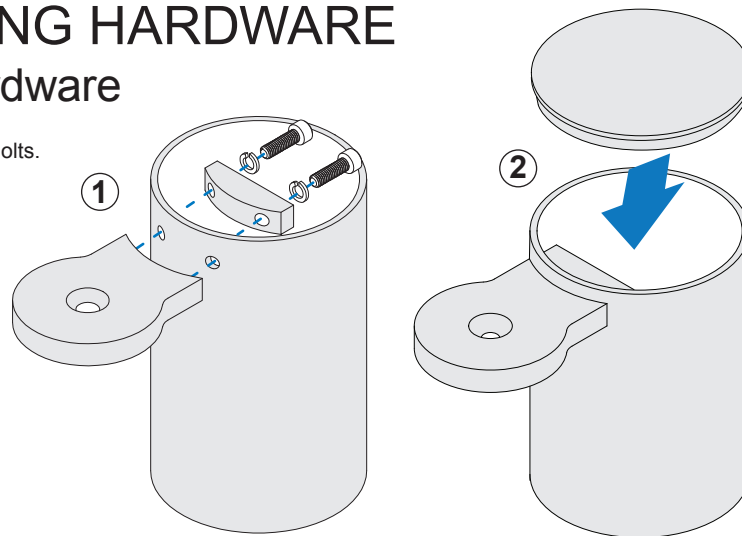
NOTE: Install cladding after door is installed. Follow tightening sequence shown to ensure proper torque is achieved.



INSTALL MOUNTING HARDWARE

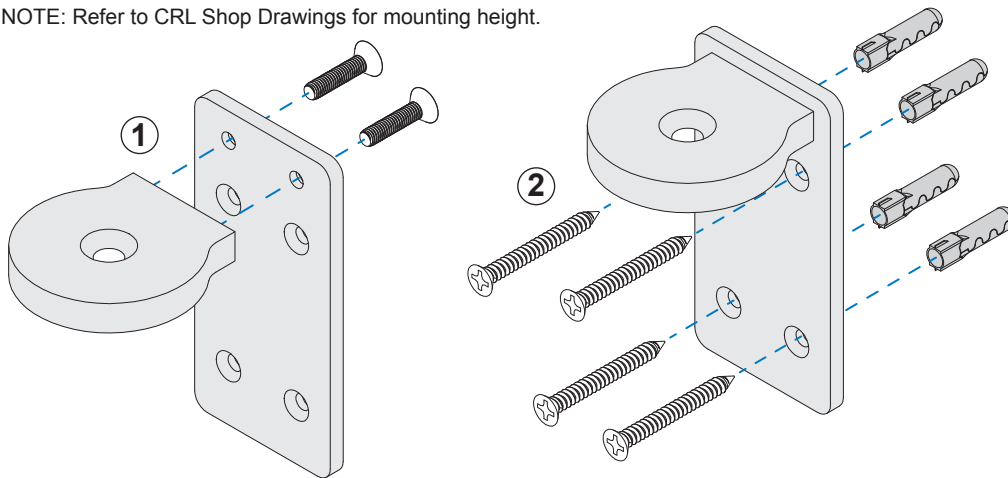
Install Post Mount Hardware

NOTE: Use Lock Washers with Bolts.



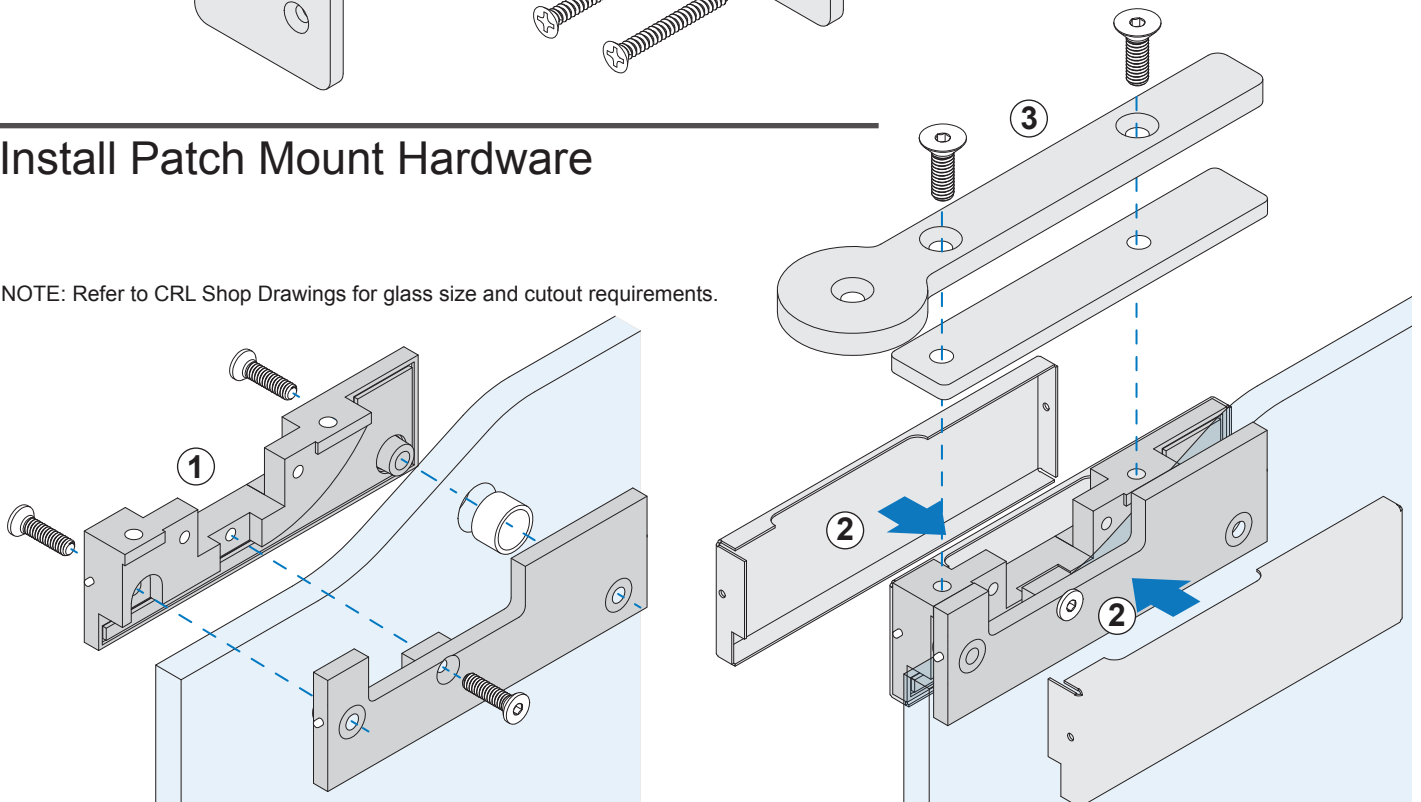
Install Wall Mount Hardware

NOTE: Refer to CRL Shop Drawings for mounting height.



Install Patch Mount Hardware

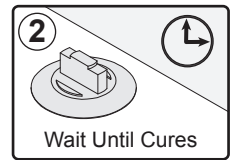
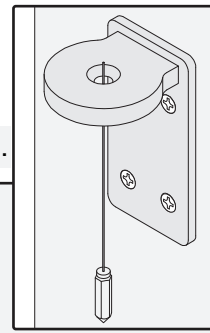
NOTE: Refer to CRL Shop Drawings for glass size and cutout requirements.



INSTALL TUBE

Install Floor Receiver Directly Below Pivot Point

NOTE: Top Gate Pivot MUST be in place and attached before proceeding.



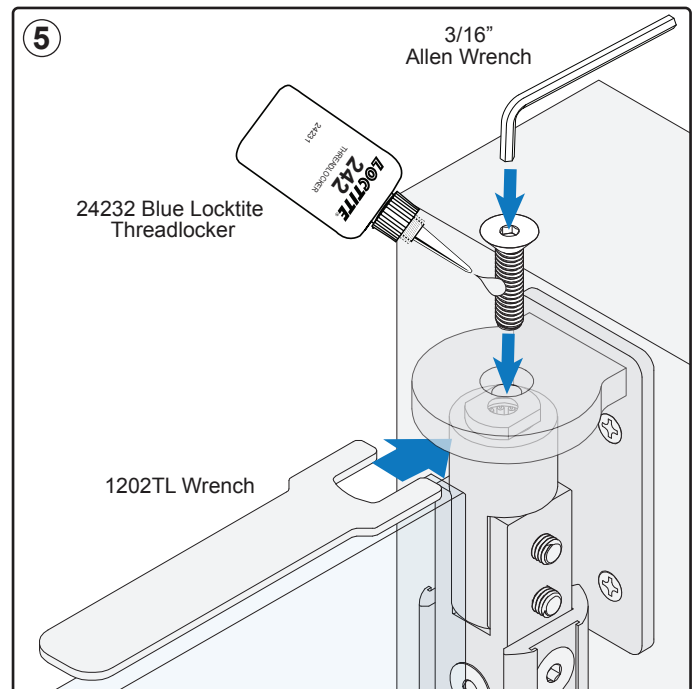
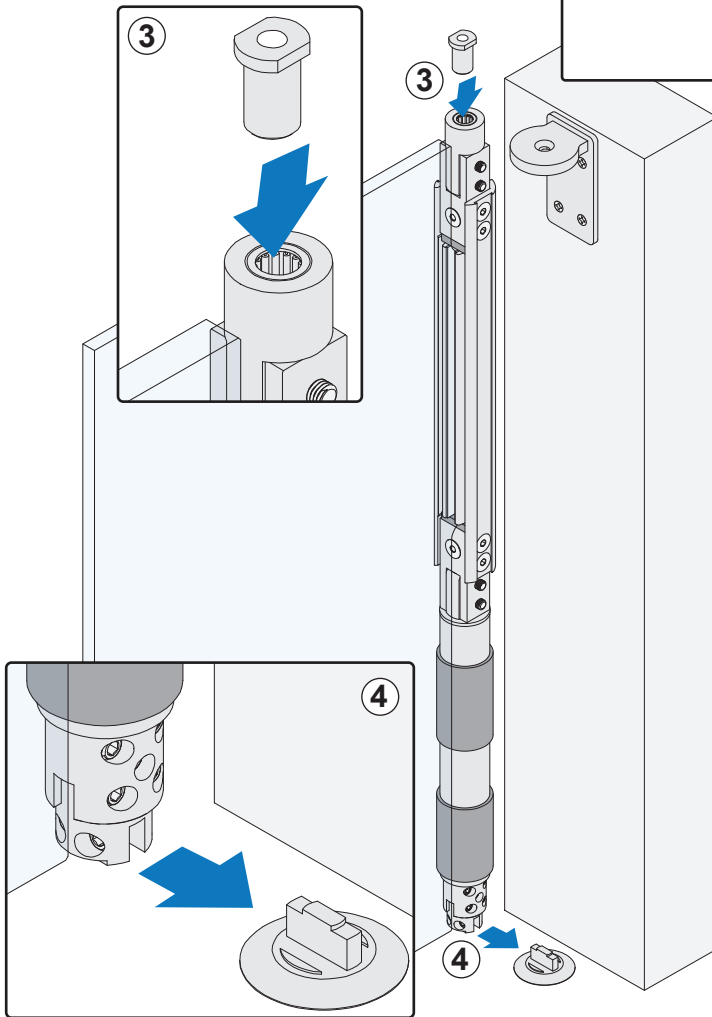
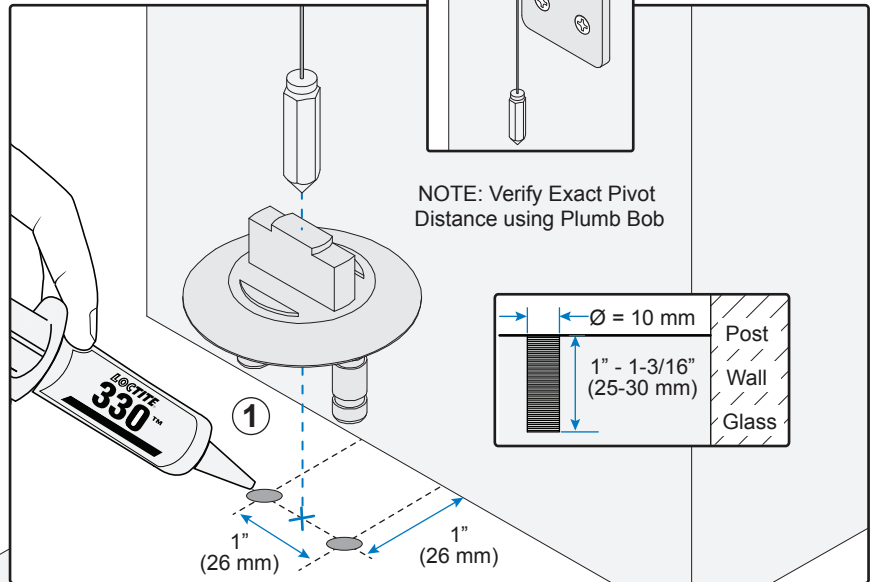
- ① Drill holes for Floor Receiver and fill with Loctite Two-Part Epoxy.
- ② Install Floor Receiver and let sit until it cures.

Install Tube and Secure

- ③ Fit Pivot Pin into top of Tube.

NOTE: Pivot Pin is used with Wall and Glass Mount and may be packaged with the mounting hardware. It is not used with Post Mount Hardware.

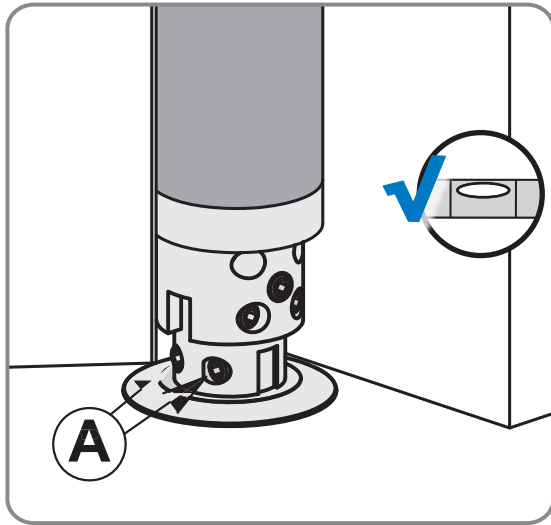
- ④ Slide Tube onto Floor Receiver.
- ⑤ Align and secure.



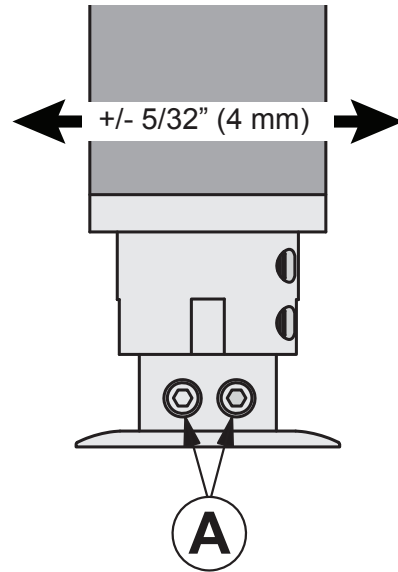
NOTE: Use 1202TL Wrench to hold Pivot Pin in place while tightening fastener.

ADJUST TUBE POSITION

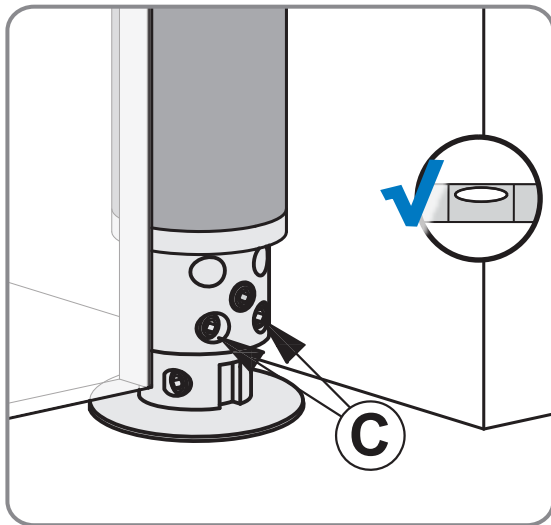
Adjust to Plumb



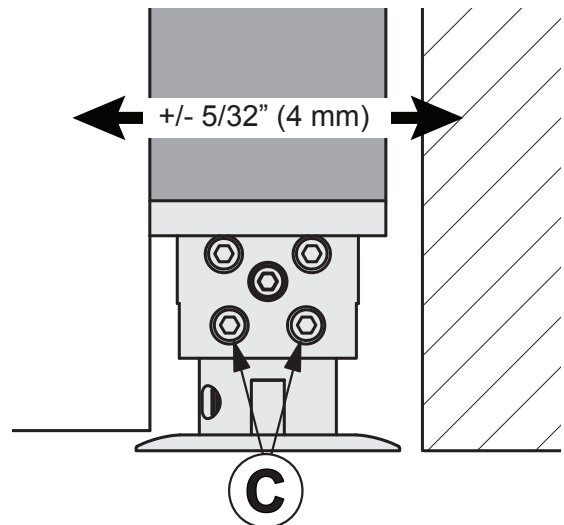
Plumb tube front to back.



Tighten set screws to lock into place.



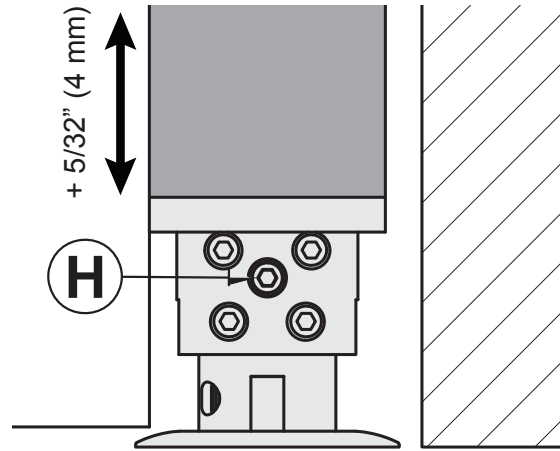
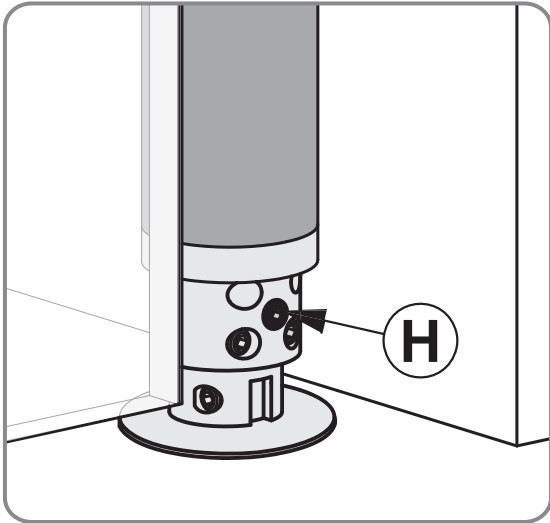
Plumb tube side to side.



Tighten set screws to lock into place.

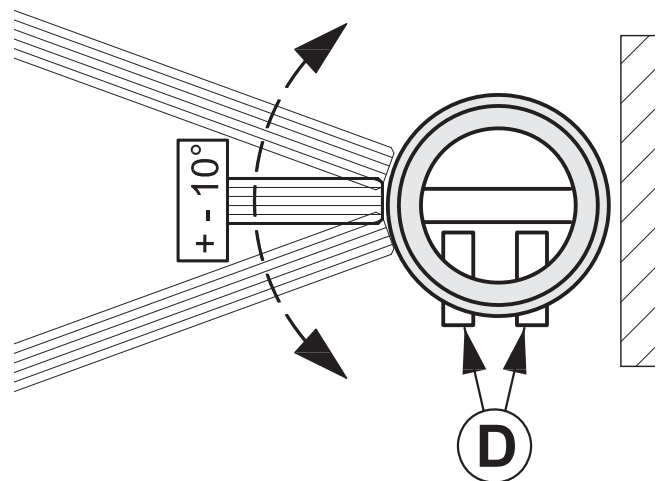
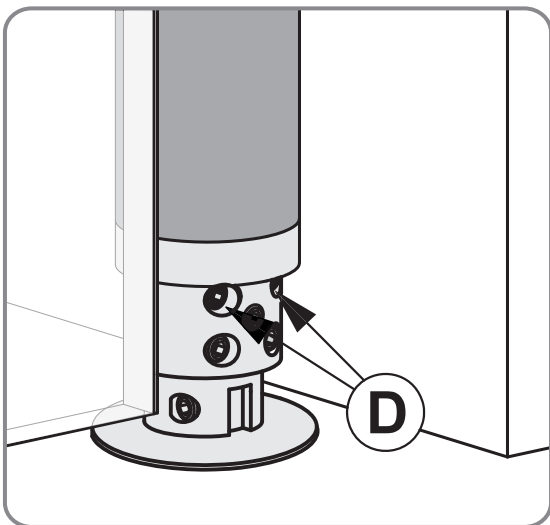
ADJUST TUBE POSITION (CONTINUED)

Adjust Height



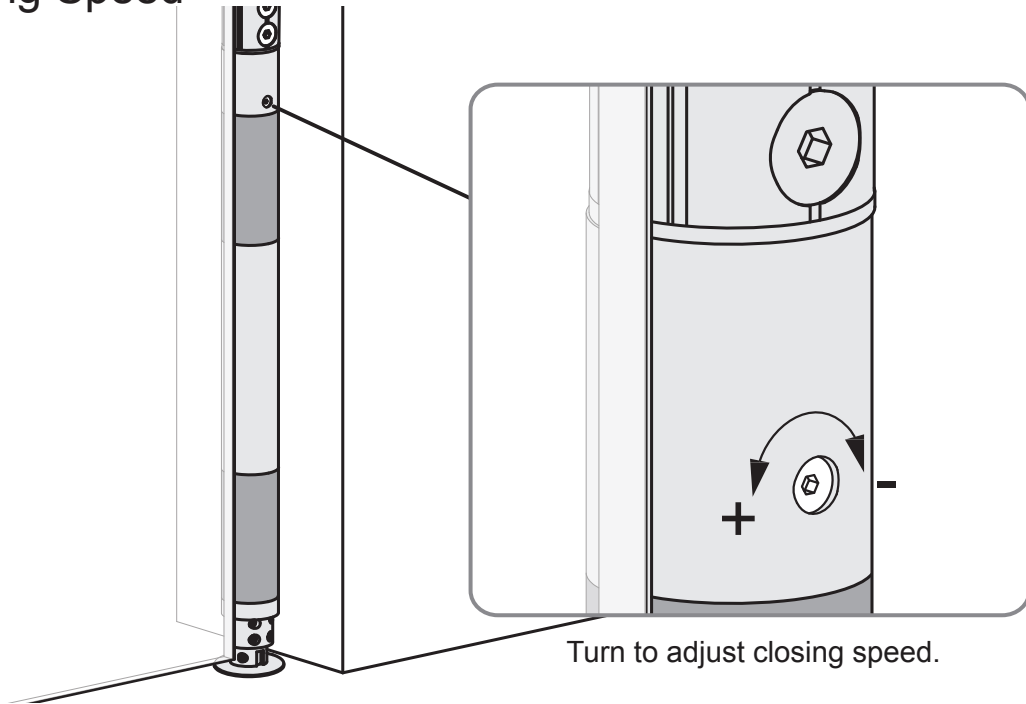
Turn set screw to adjust height.

Center Pivot



Turn set screws to center panel.

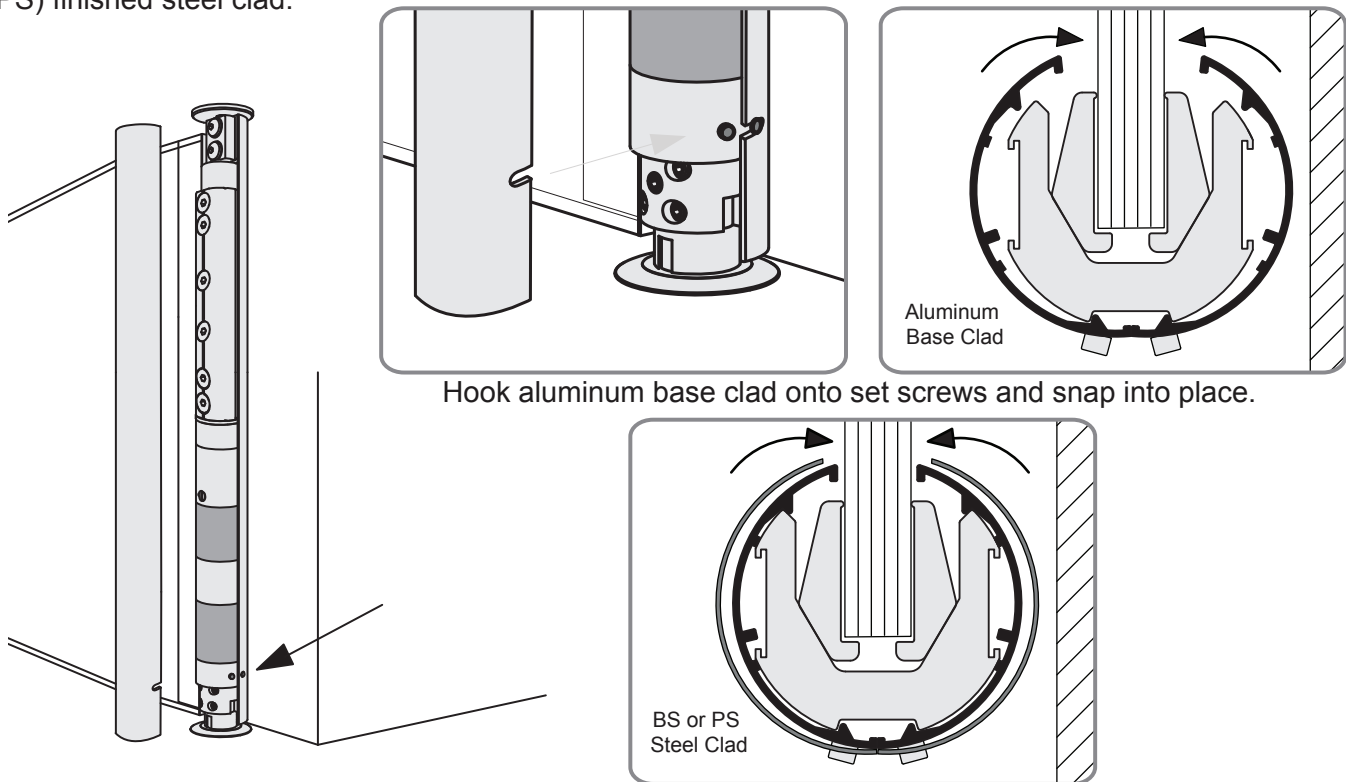
Adjust Closing Speed



NOTE: Do not remove this screw.

Install Cladding

NOTE: System supplied with aluminum base clad and either brushed stainless (BS) or polished stainless (PS) finished steel clad.



Hook aluminum base clad onto set screws and snap into place.

Match holes in steel clad with set screws and secure with supplied double stick tape.