

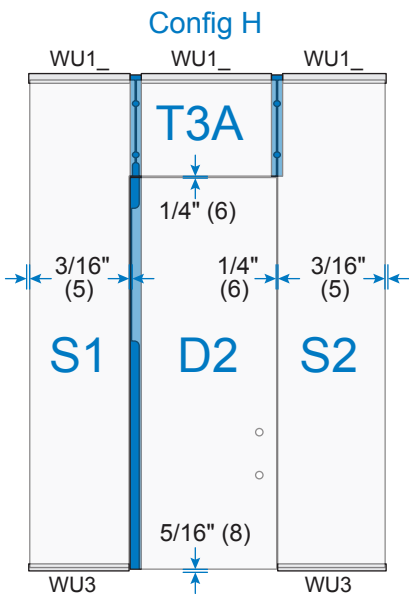
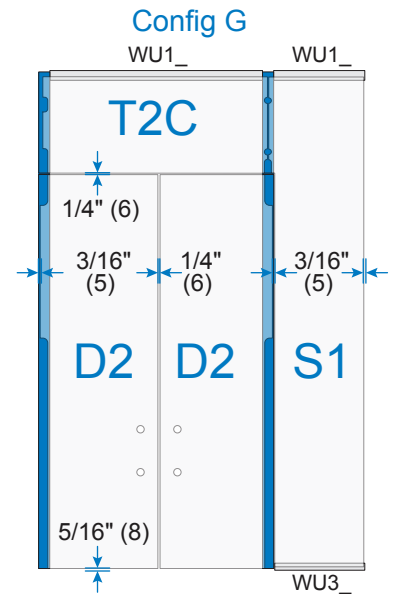
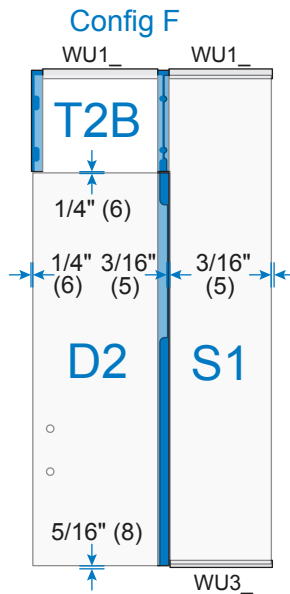
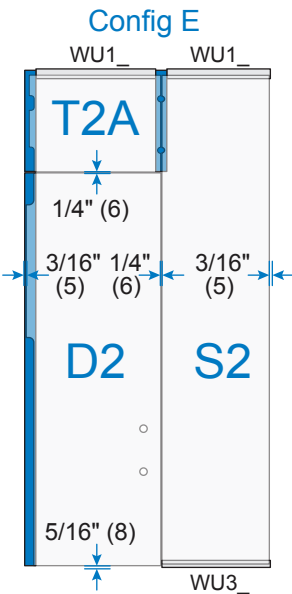
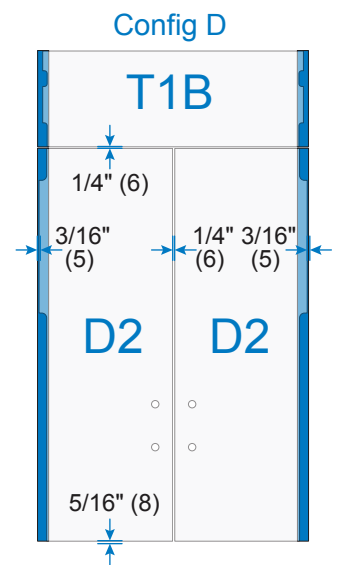
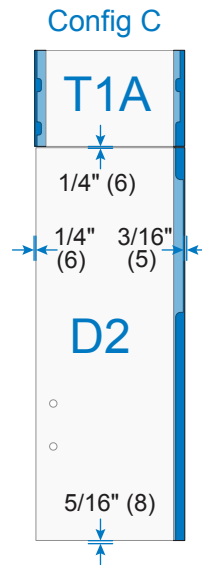
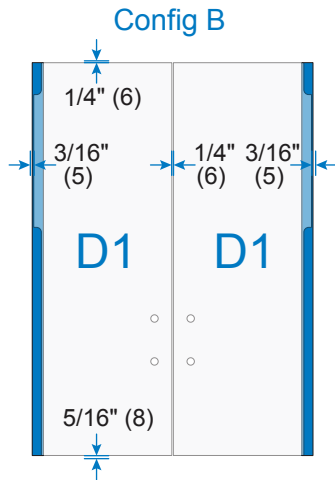
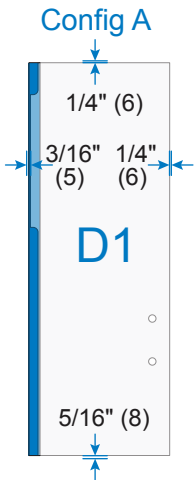
DRS 1202 Series Swinging Glass Door Systems



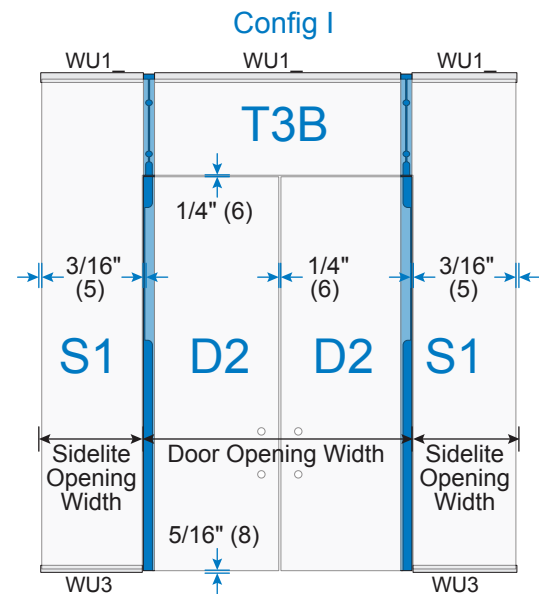
TABLE OF CONTENTS

CONFIGURATIONS	3
SYSTEM LIMITATIONS	4
Closer Force Requirements	4
TOOLS NEEDED	4
DRS 1202 DOOR GLASS FABRICATION	5 - 14
D1 Floor-to-Ceiling Door	5
D2 Floor-to-Transom Door	5
T1A Transom: Wall-to-Wall	6
T1B Transom: Wall-to-Wall	7
T2A Transom: Wall-to-Sidelite	8
T2B Transom: Wall-to-Sidelite	9
T2C Transom: Wall-to-Sidelite	10
T3A Transom: Sidelite-to-Sidelite	11
T3B Transom: Sidelite-to-Sidelite	12
S1 Sidelite: Next to Pivot Side Door	13
S2 Sidelite: Next to Strike Side Door	14
DRS 1202 DOOR INSTALLATION CEILING MOUNT	15
Assemble Door	15
Assemble Door Hinge Tube	15
Install Tempered Glass	15
Install Door	16
Install Door Mount	16
Mount Door	16
Adjust Position	17
Adjust to Plumb	17
Adjust Height	18
Center Pivot	18
Adjust Closing Speed	19
Install Tube Cover	19
DRS 1202 TRANSOM DOOR WITHOUT SIDELITE INSTALLATION	20 - 23
DRS 1202 TRANSOM DOOR WITH SIDELITE INSTALLATION	24 - 26

CONFIGURATIONS



NOTE: Figures in parentheses (x) are millimeters.
 WU1_ is Upper U-channel
 WU3_ is Lower U-channel



SYSTEM LIMITATIONS

For 3/8" or 1/2" (10 or 12 mm) Tempered Monolithic Glass.
 Use Only 1/2" (12 mm) Tempered Monolithic Glass for Transom.

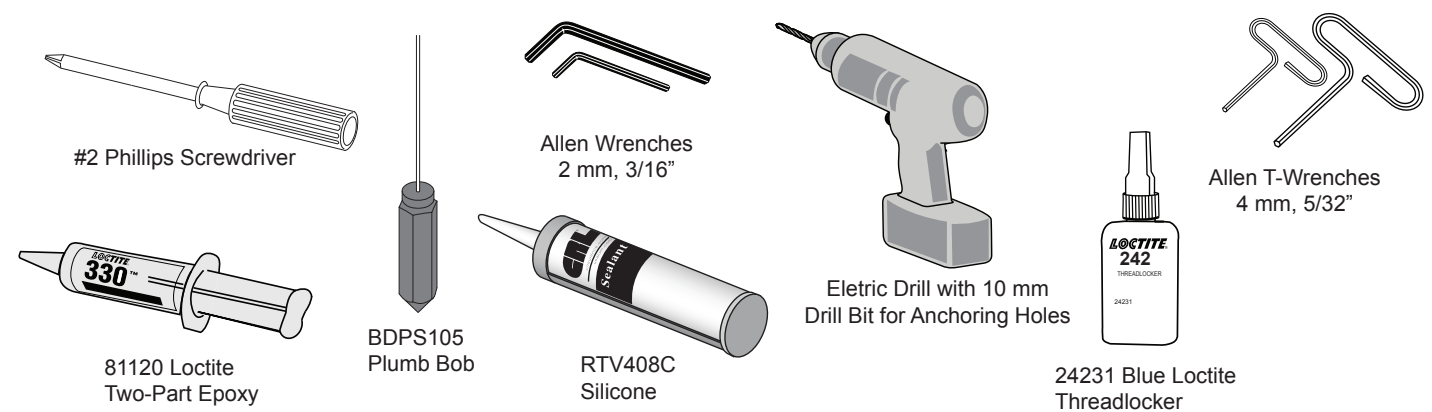


Closer Force Requirements

Category	Maximum Door Dimensions 3/8" (10 mm) Glass	Maximum Door Dimensions 1/2" (12 mm) Glass	Maximum Weight
Force 1 Closer	36" x 84" (914 x 2134 mm)	NA	116 lb (53 kg)
Force 2 Closer	36" x 96-1/2" (914 x 2451 mm)	36 x 82" (914 x 2083 mm)	135 lb (61 kg)
Force 3 Closer	39-3/8" x 96-1/2" (1000 x 2451 mm)	39-3/8" x 96-1/2" (1000 x 2451 mm)	176 lb (80 kg)

IMPORTANT: READ THESE INSTRUCTIONS THOROUGHLY BEFORE BEGINNING.

TOOLS NEEDED



DRS 1202 DOOR GLASS FABRICATION

D1 Floor-to-Ceiling Door

Single Door

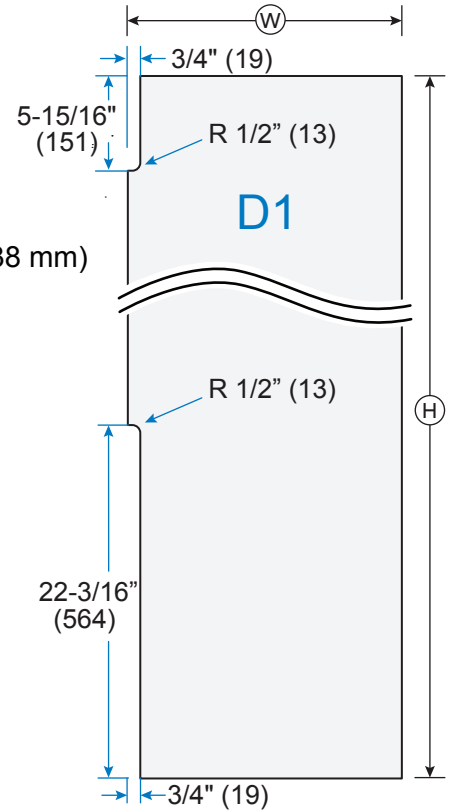
Ⓜ Door Glass Width = Door Opening Width minus 1-5/8" (41 mm)

Ⓜ Door Glass Height = Door Opening Height minus 9/16" (14 mm)

Double Door

Ⓜ Door Glass Width = Door Opening Width divided by two minus 1-1/2" (38 mm)

Ⓜ Door Glass Height = Door Opening Height minus 9/16" (14 mm)



D2 Floor-to-Transom Door

Single Door

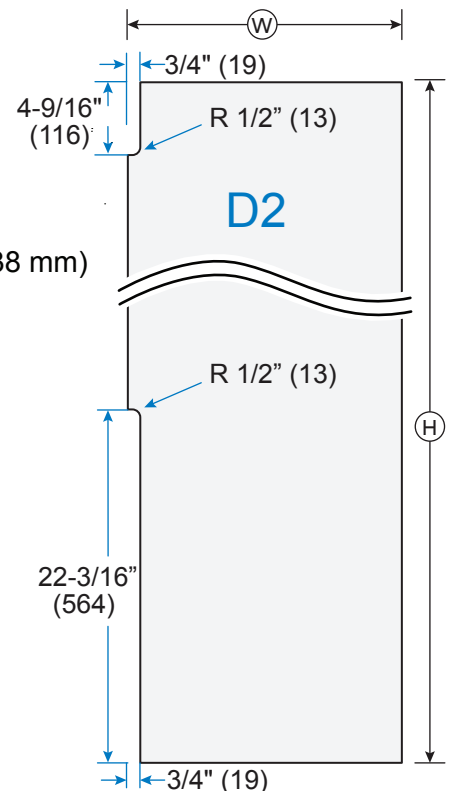
Ⓜ Door Glass Width = Door Opening Width minus 1-5/8" (41 mm)

Ⓜ Door Glass Height = Door Opening Height minus 9/16" (14 mm)

Double Door

Ⓜ Door Glass Width = Door Opening Width divided by two minus 1-1/2" (38 mm)

Ⓜ Door Glass Height = Door Opening Height minus 9/16" (14 mm)

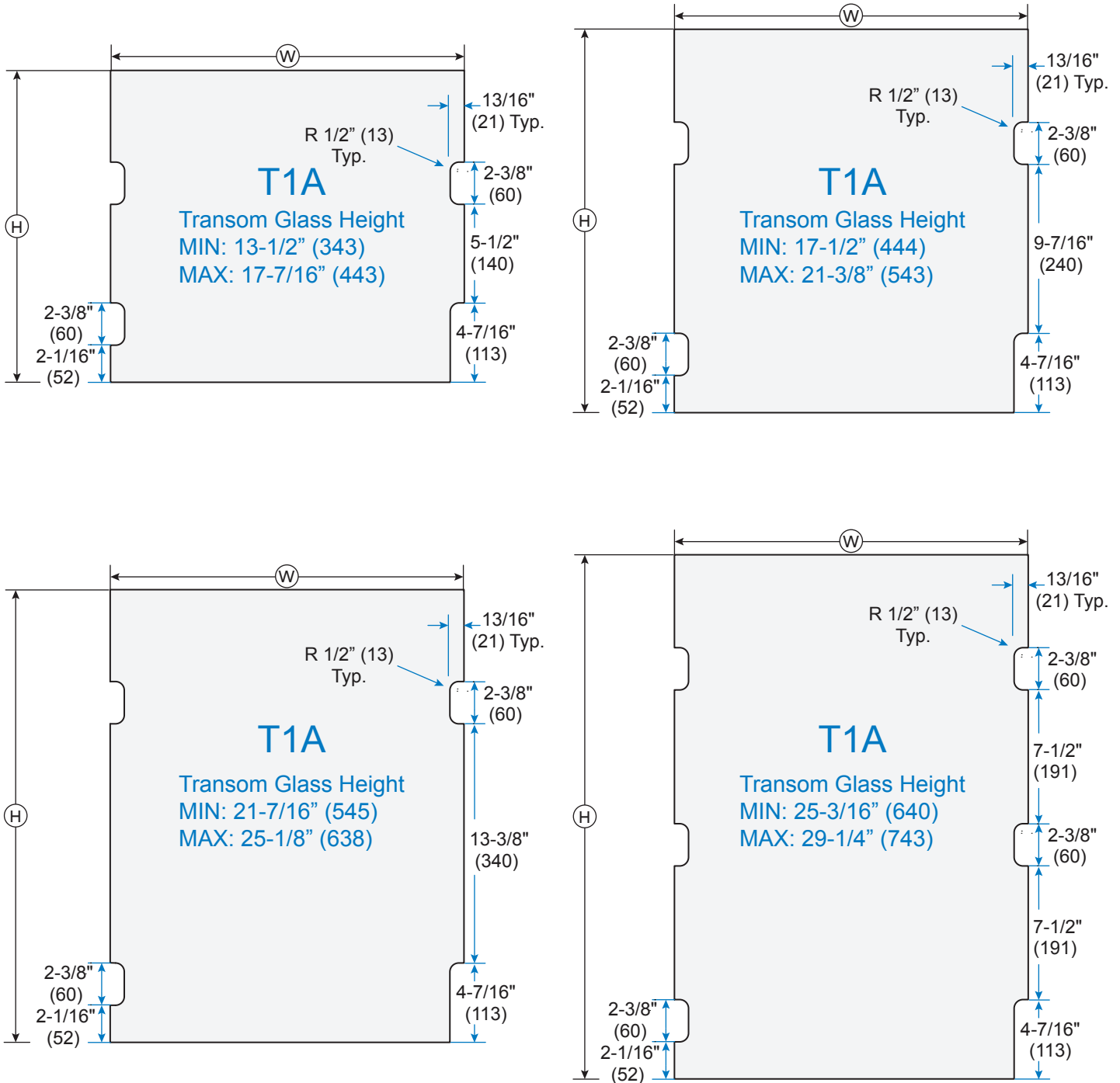


DRS 1202 DOOR GLASS FABRICATION (CONTINUED)

T1A Transom: Wall-to-Wall

Ⓜ Transom Glass Width = Opening Width Minus 1-7/8" (48 mm)

Ⓜ Transom Glass Height = Opening Height Minus Door Opening Height Minus 1/4" (6 mm)

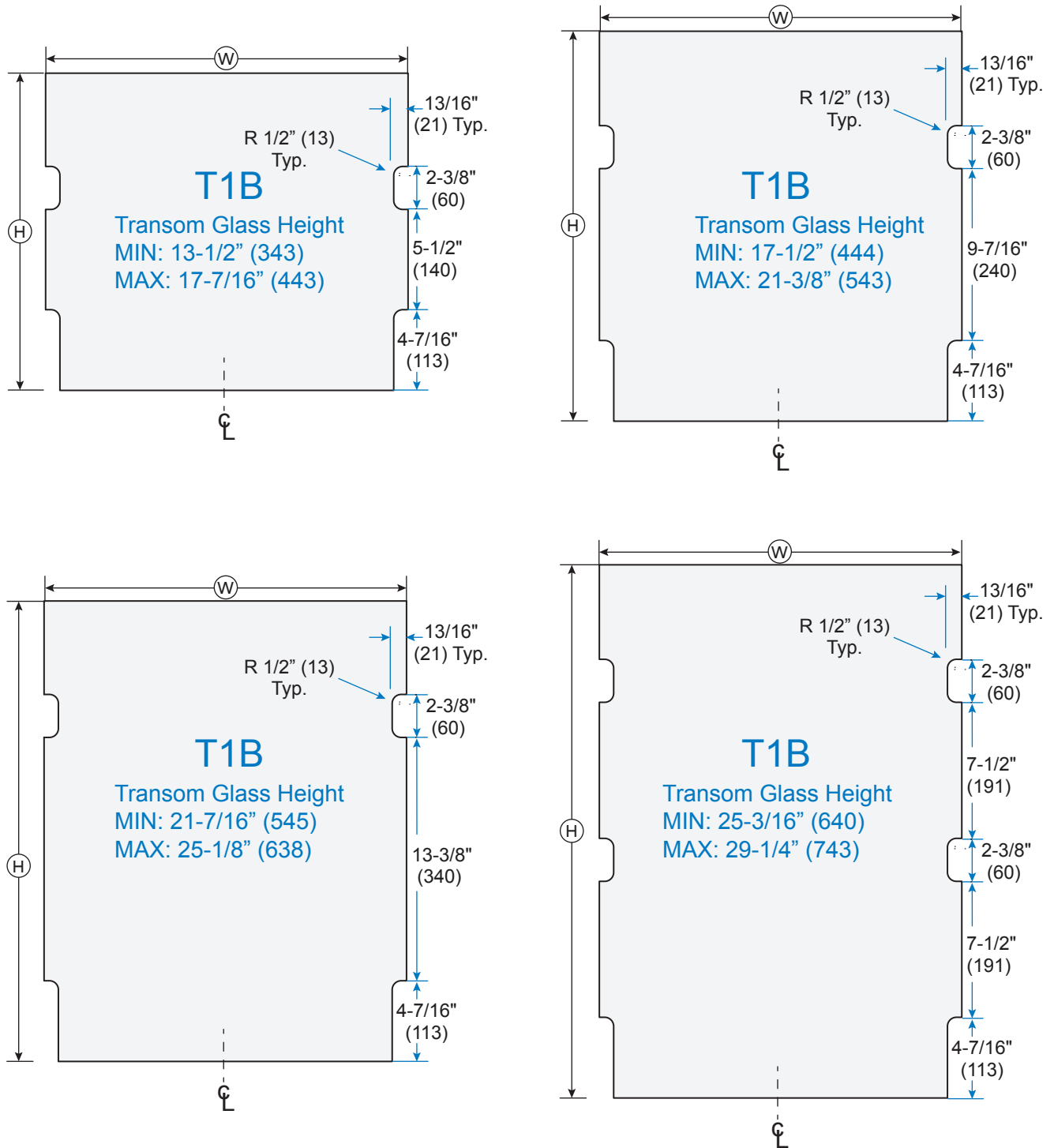


DRS 1202 DOOR GLASS FABRICATION (CONTINUED)

T1B Transom: Wall-to-Wall

Ⓜ Transom Glass Width = Opening Width Minus 1-7/8" (48 mm)

Ⓜ Transom Glass Height = Opening Height Minus Door Opening Height Minus 1/4" (6 mm)

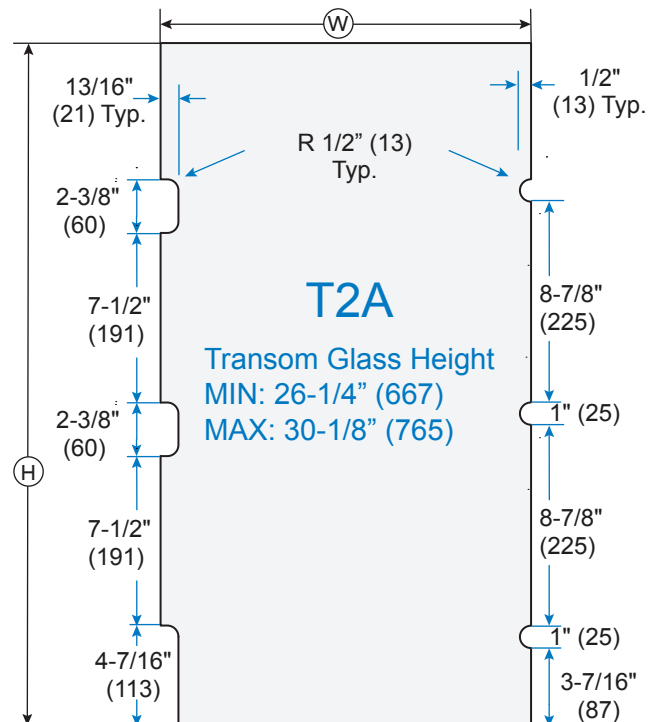
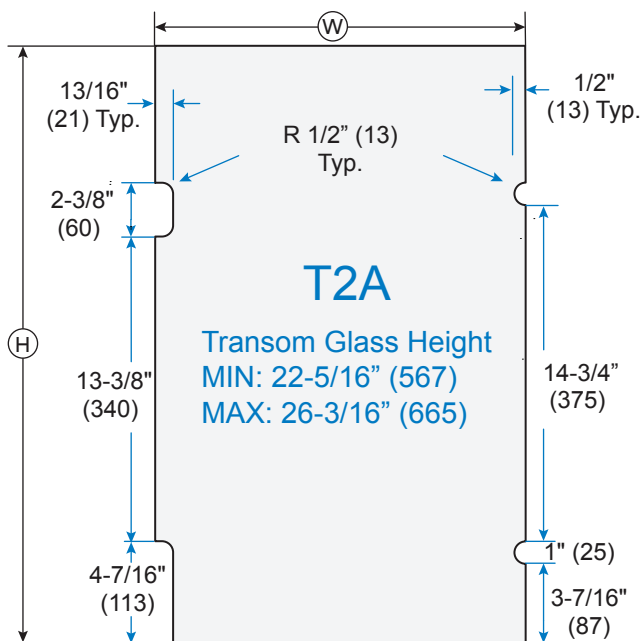
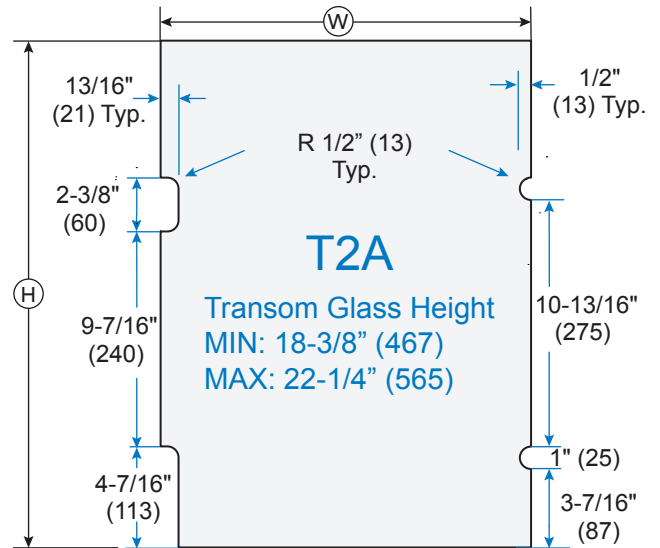
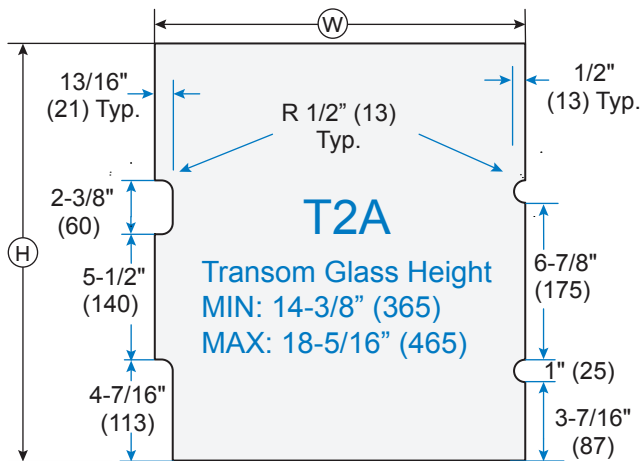


DRS 1202 DOOR GLASS FABRICATION (CONTINUED)

T2A Transom: Wall-to-Sidelite

Ⓜ Transom Glass Width = Opening Width Minus 1-3/16" (30 mm)

Ⓜ Transom Glass Height = Opening Height Minus Door Opening Height Minus 1-1/8" (29 mm)

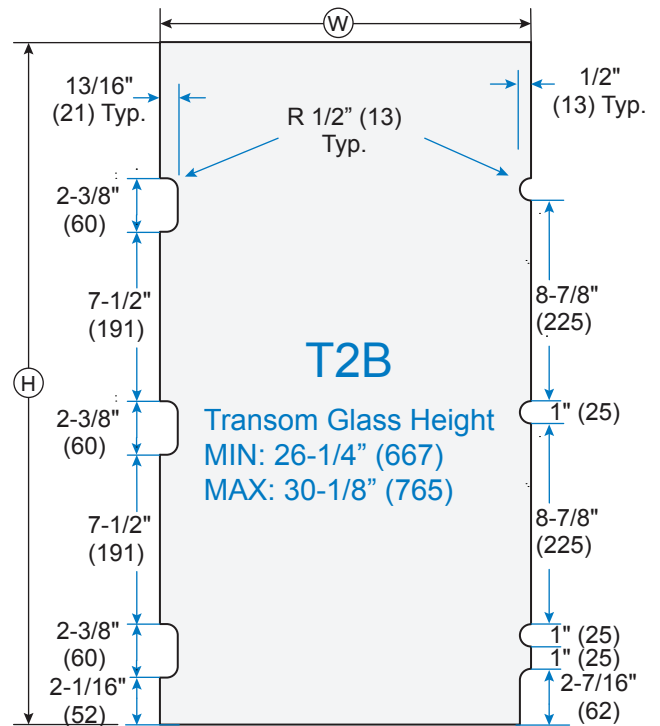
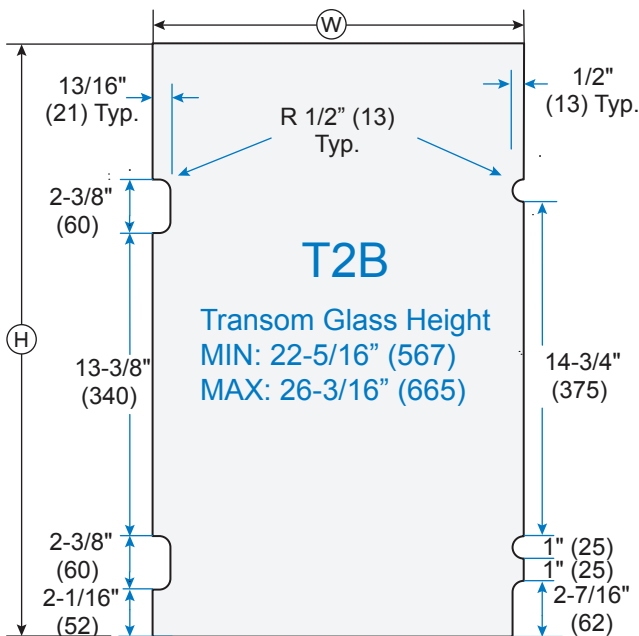
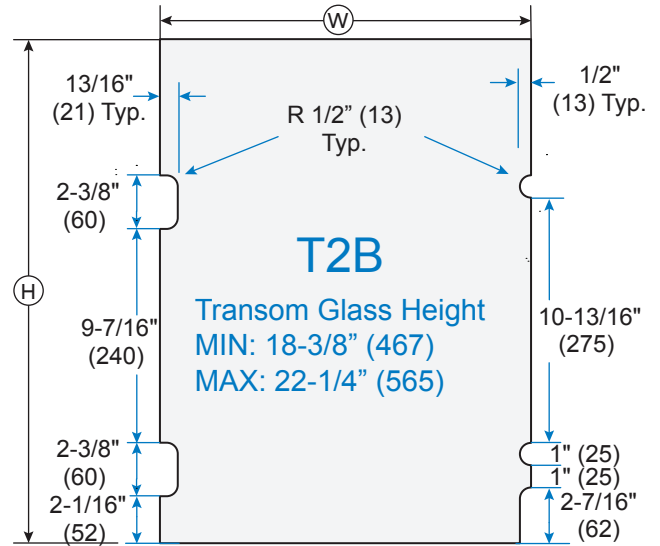
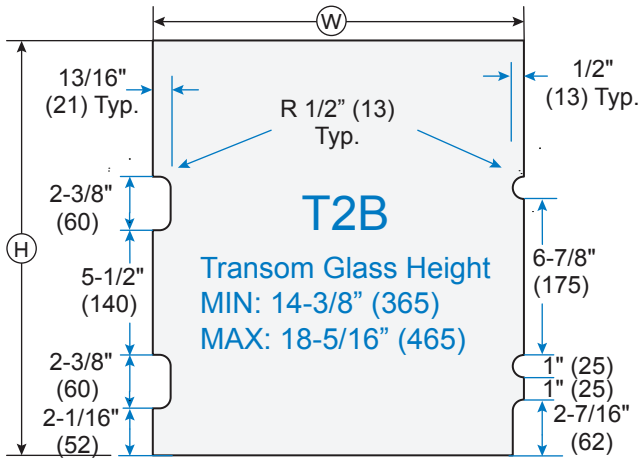


DRS 1202 DOOR GLASS FABRICATION (CONTINUED)

T2B Transom: Wall-to-Sidelite

Ⓜ Transom Glass Width = Door Opening Width Minus 2-5/16" (59 mm)

Ⓜ Transom Glass Height = Opening Height Minus Door Opening Height Minus 1-1/8" (29 mm)

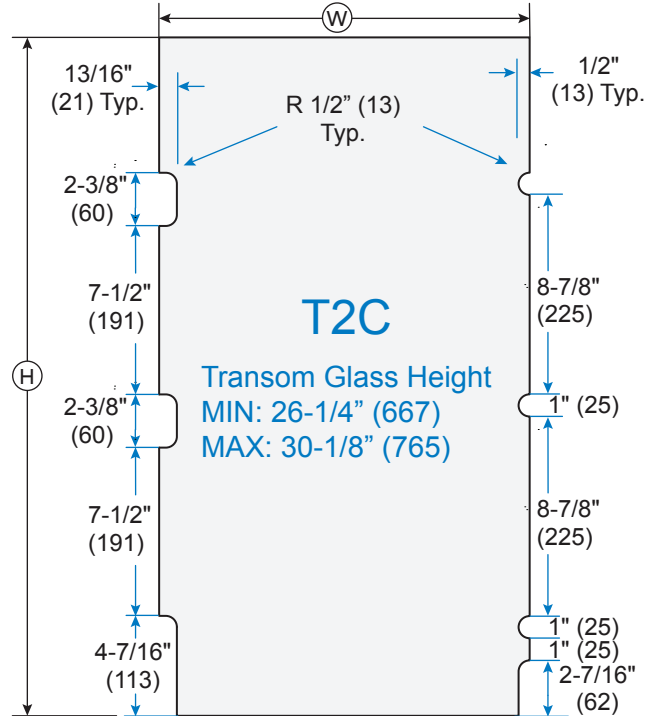
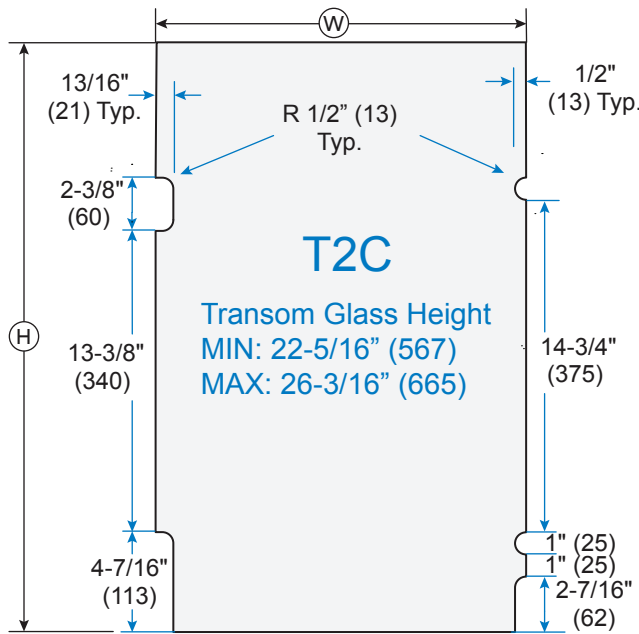
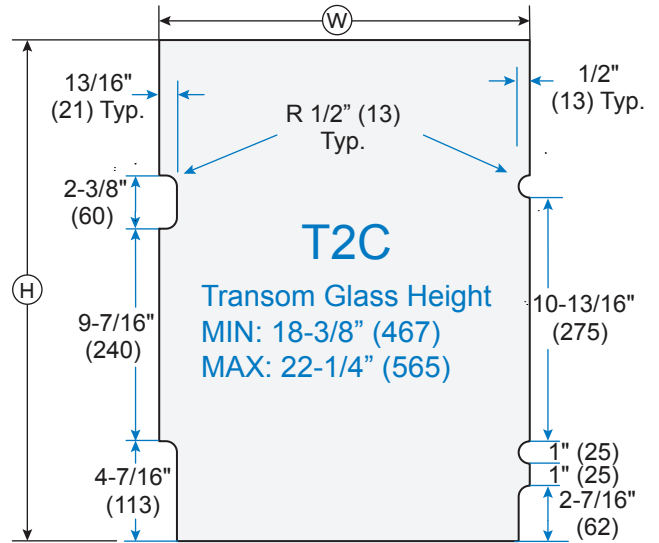
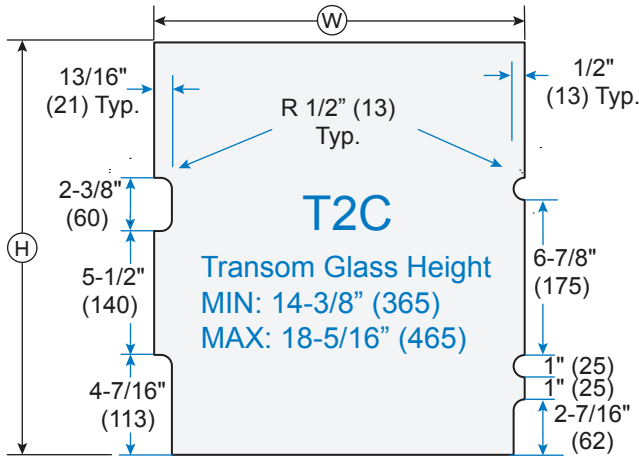


DRS 1202 DOOR GLASS FABRICATION (CONTINUED)

T2C Transom: Wall-to-Sidelite

Ⓜ Transom Glass Width = Door Opening Width Minus 2-5/16" (59 mm)

Ⓜ Transom Glass Height = Opening Height Minus Door Opening Height Minus 1-1/8" (29 mm)

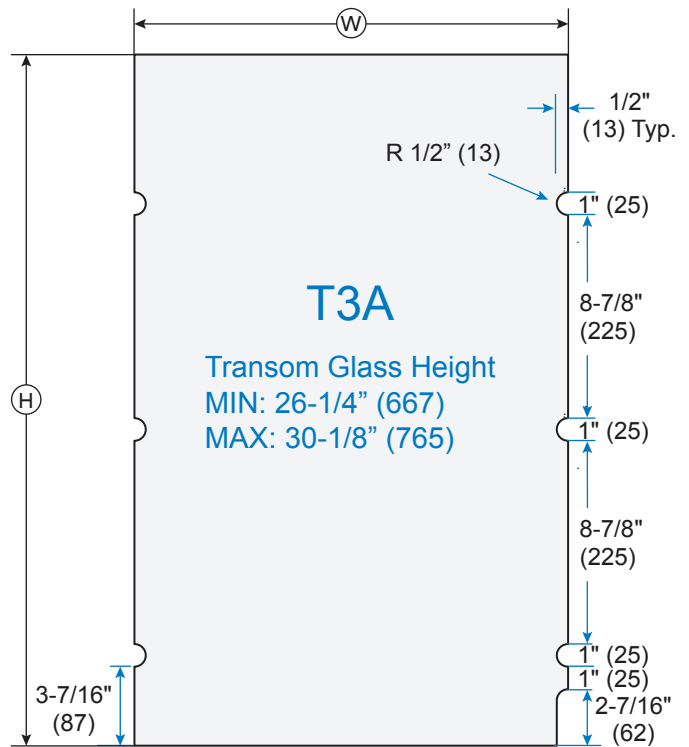
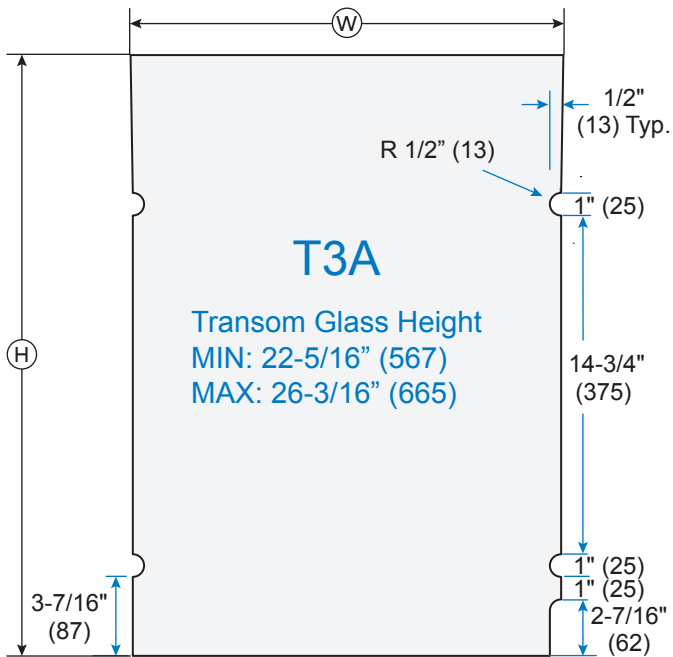
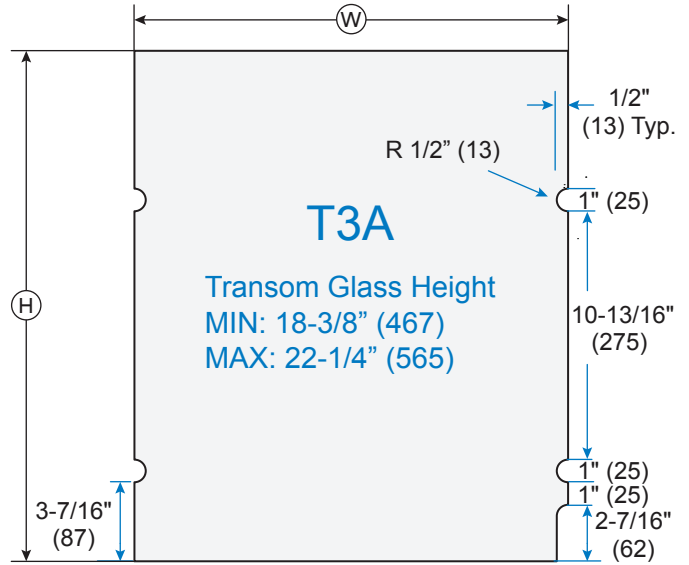
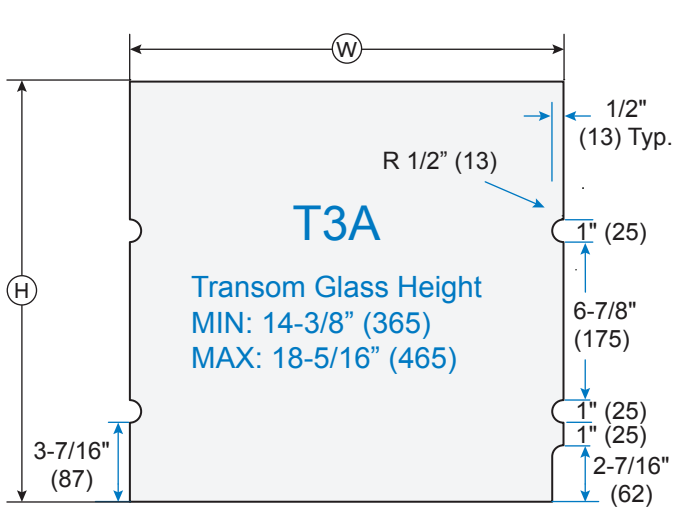


DRS 1202 DOOR GLASS FABRICATION (CONTINUED)

T3A Transom: Sidelite-to-Sidelite

Ⓜ Transom Glass Width = Opening Width Minus 1-5/8" (41)

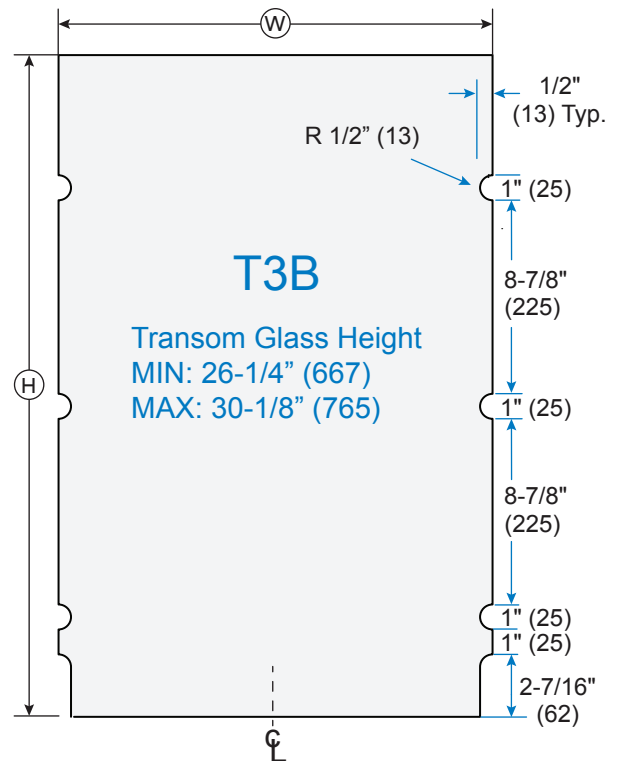
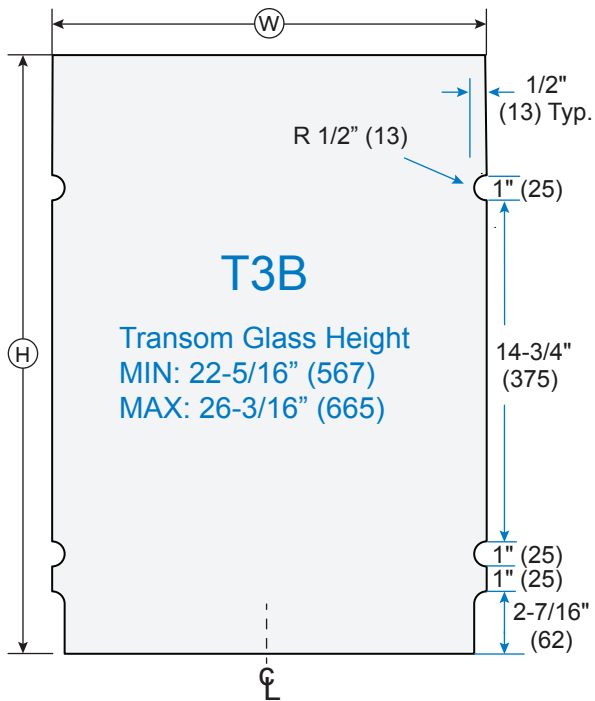
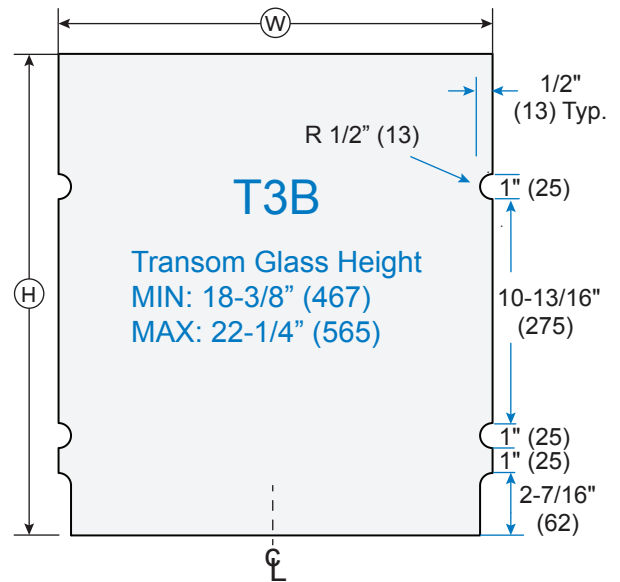
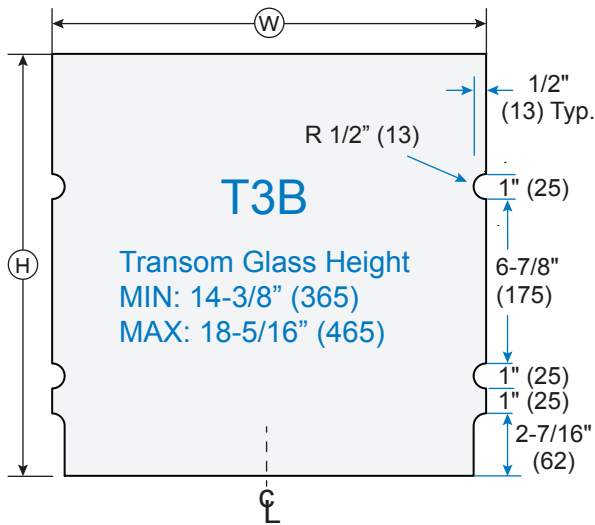
Ⓜ Transom Glass Height = Opening Height Minus Door Opening Height Minus 1-1/8" (29 mm)



DRS 1202 DOOR GLASS FABRICATION (CONTINUED)

T3B Transom: Sidelite-to-Sidelite

- Ⓜ Transom Glass Width = Door Opening Width Minus 2-3/4" (70)
- Ⓜ Transom Glass Height = Opening Height Minus Door Opening Height Minus 1-1/8" (29 mm)



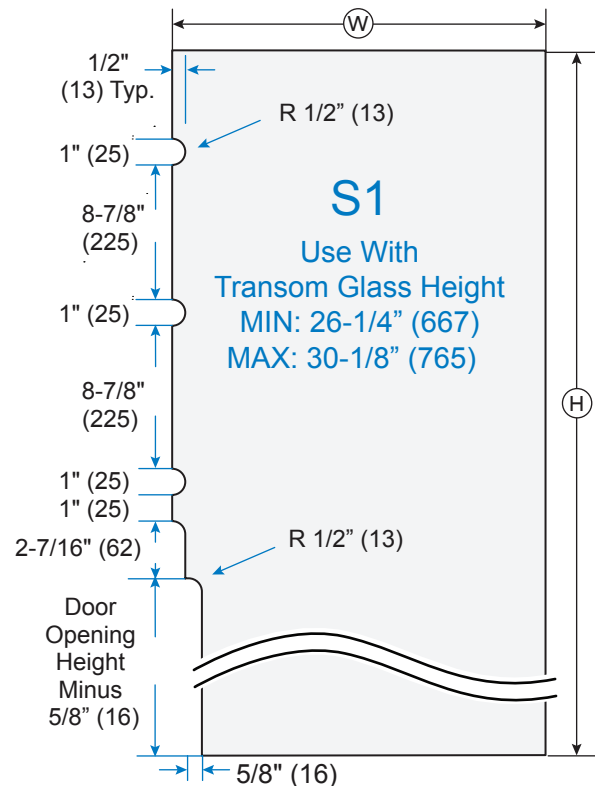
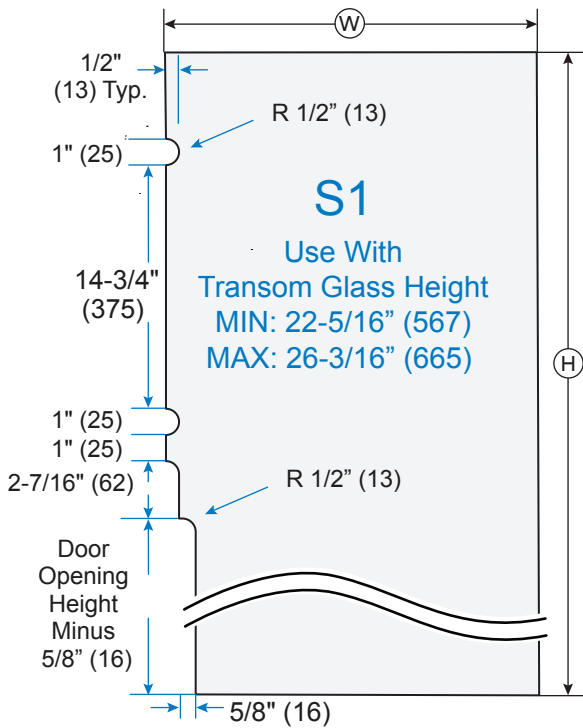
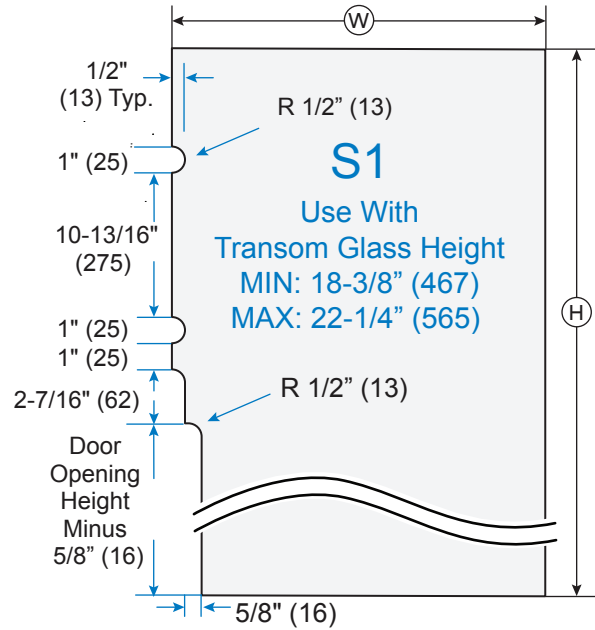
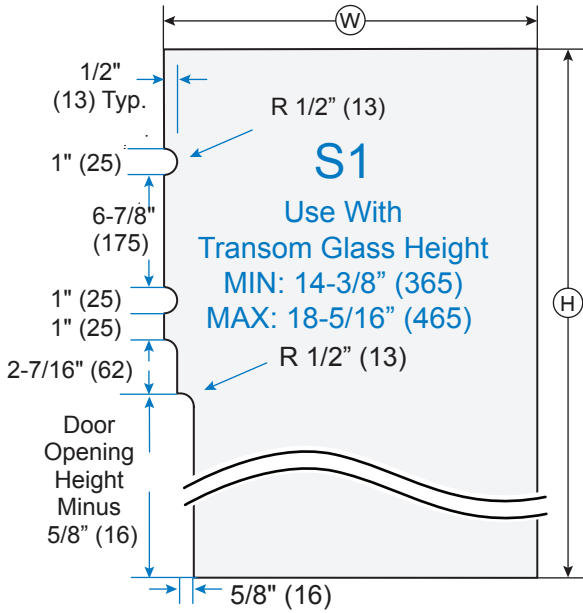
DRS 1202 DOOR GLASS FABRICATION (CONTINUED)

S1 Sidelite: Next to Pivot Side Door

Ⓜ Sidelite Glass Height = Opening Height Minus 1-13/16" (46 mm)

Ⓜ Sidelite Glass Width = Sidelite Opening Width Minus 3/16" (5 mm)

NOTE: Calculations with U-Channels WU1_ at Top and WU3_ at Bottom.



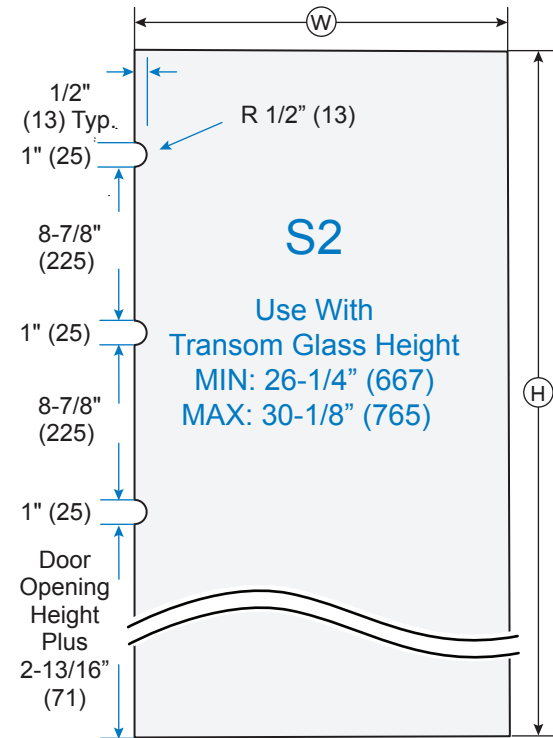
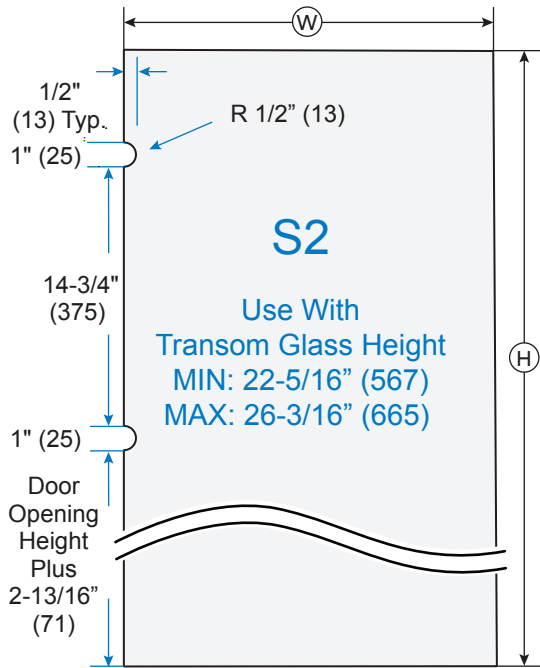
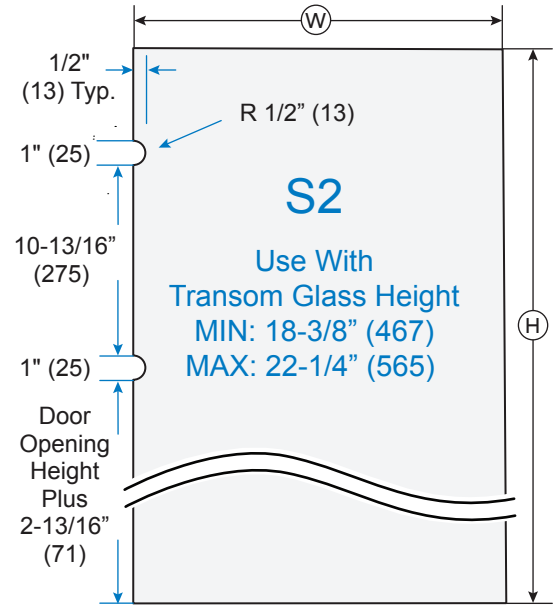
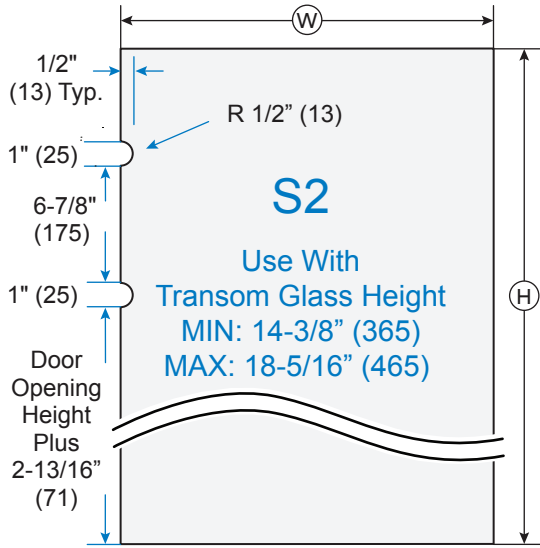
DRS 1202 DOOR GLASS FABRICATION (CONTINUED)

S2 Sidelite: Next to Strike Side Door

Ⓜ Sidelite Glass Height = Opening Height Minus 1-13/16" (46 mm)

Ⓜ Sidelite Glass Width = Sidelite Opening Width Minus 3/16" (5 mm)

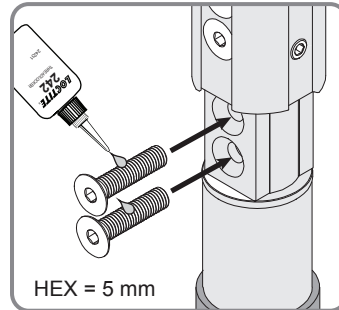
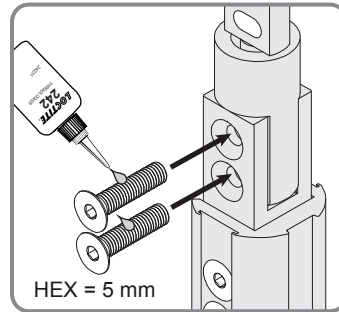
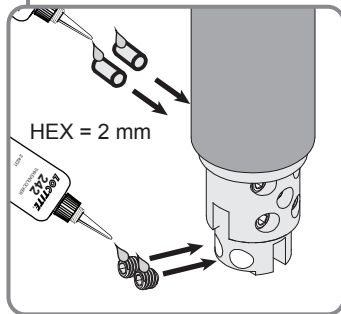
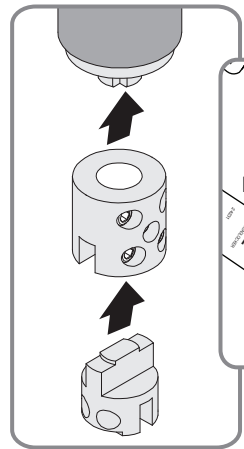
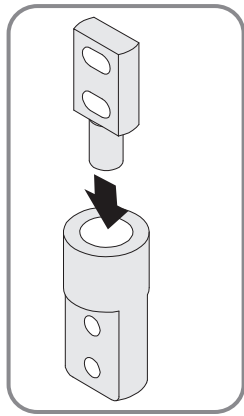
NOTE: Calculations with U-Channels WU1_ at Top and WU3_ at Bottom.



DRS 1202 DOOR INSTALLATION CEILING MOUNT

Assemble Door

1. Assemble Door Hinge Tube



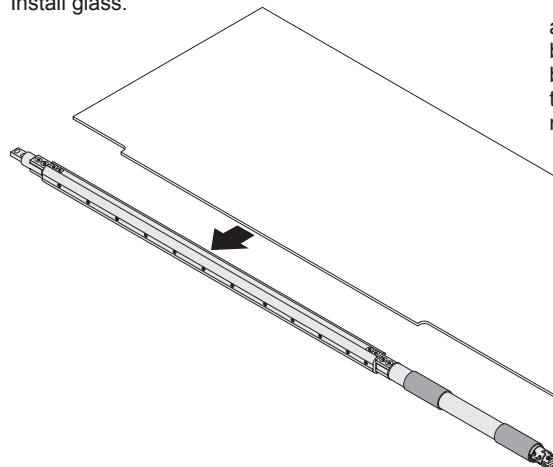
* Blue Loctite Threadlocker is recommended on all screw threads during final assembly.

Assemble on a flat surface.

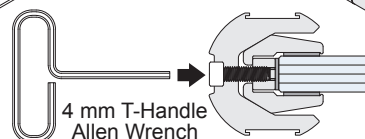
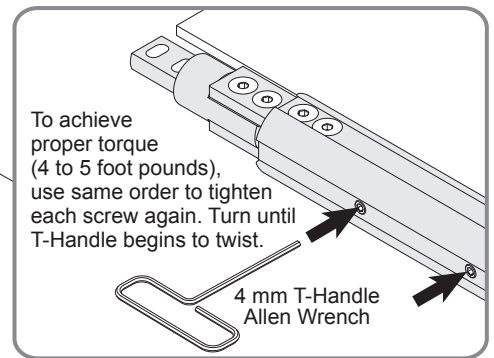
2. Install Tempered Glass

NOTE: Some kits are shipped with the glass already installed.

Install glass.



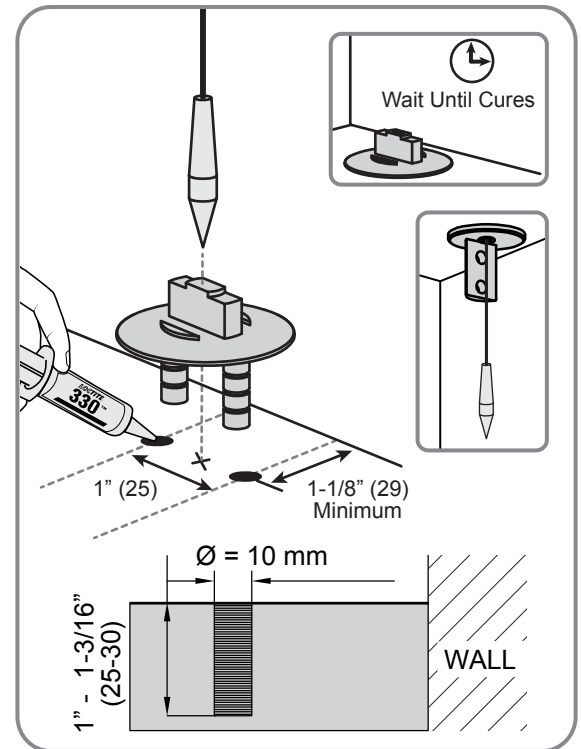
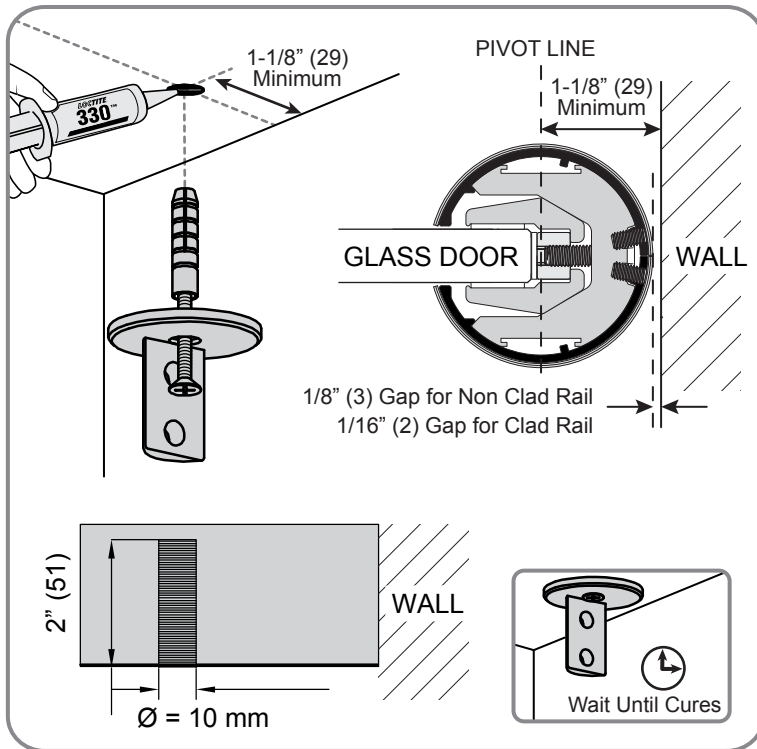
Tighten each screw until snug. Begin at the center, then alternate between the top and bottom working towards the middle.



* NOTE: Tempering mark must be legible from exterior side.

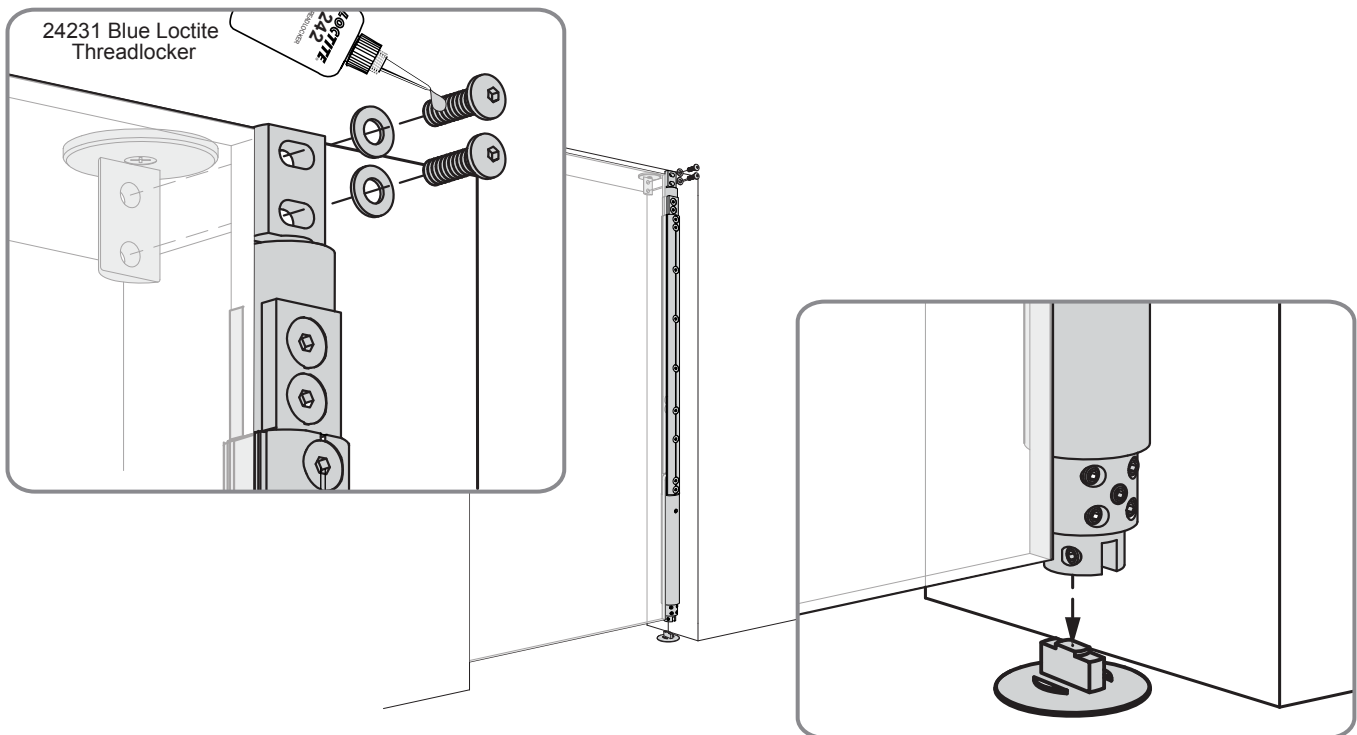
Install Door

1. Install Door Mount



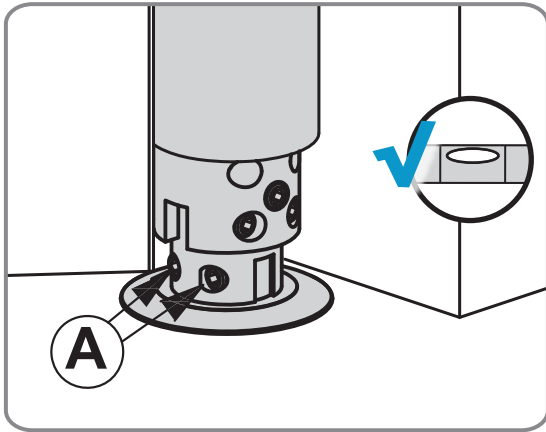
NOTE: Refer to CRL Shop Drawings for mounting position.

2. Mount Door

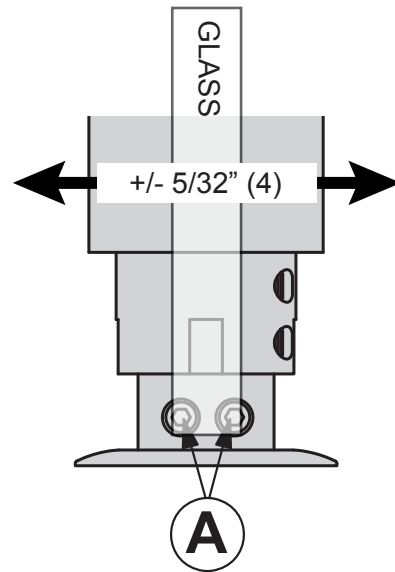


Adjust Position

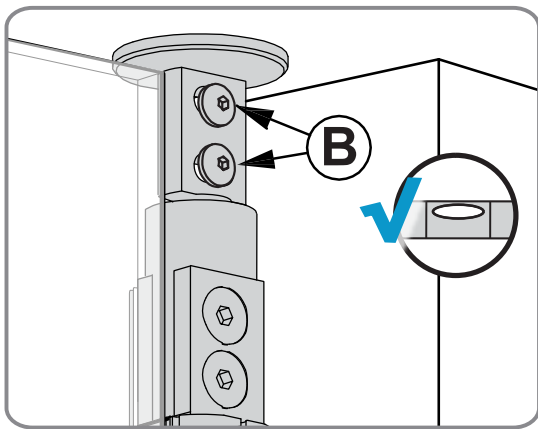
1. Adjust to Plumb



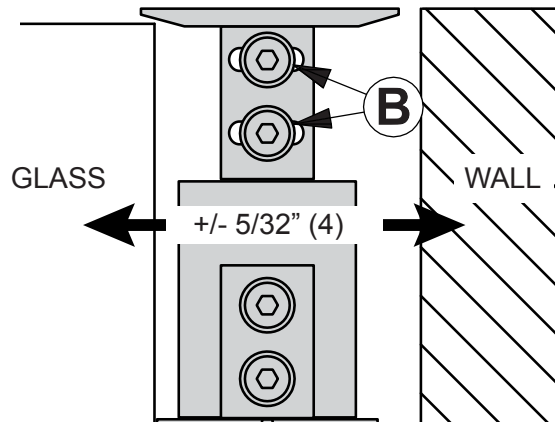
Open door to access Set Screws.
Plumb Tube front to back.



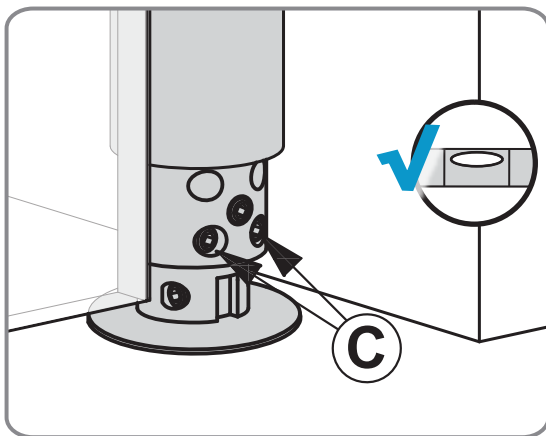
Tighten Set Screws to lock into place.



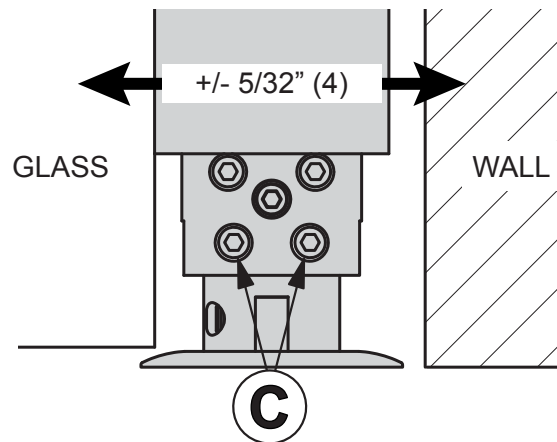
Plumb Tube side to side.



Tighten Set Screws to lock into place.



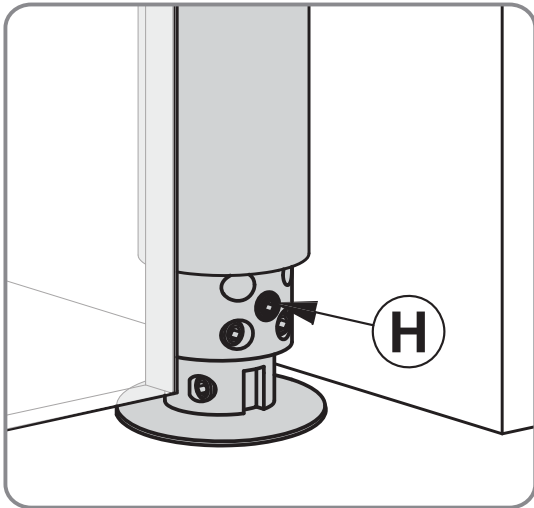
Plumb Tube side to side.



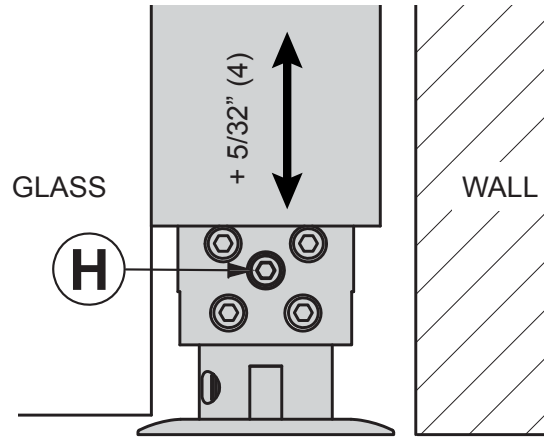
Tighten Set Screws to lock into place.

Adjust Position (Continued)

2. Adjust Height

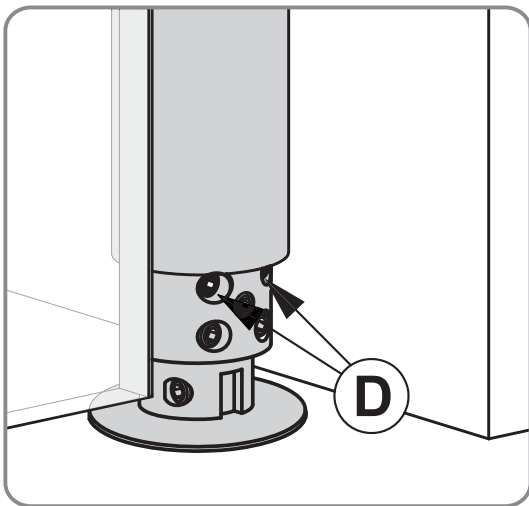


Adjust Height

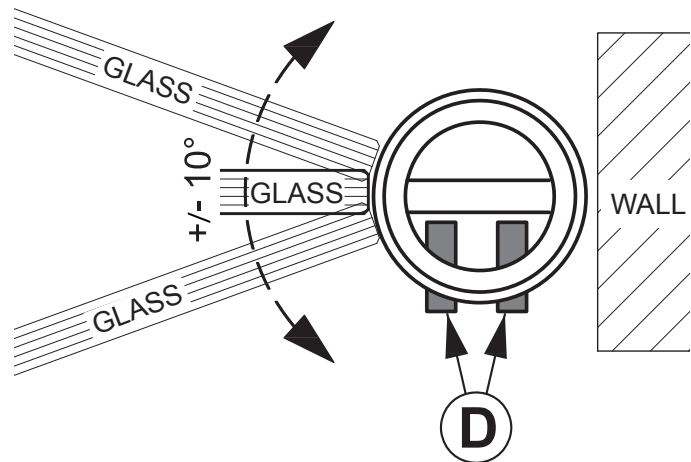


Turn Set Screw to adjust height.

3. Center Pivot

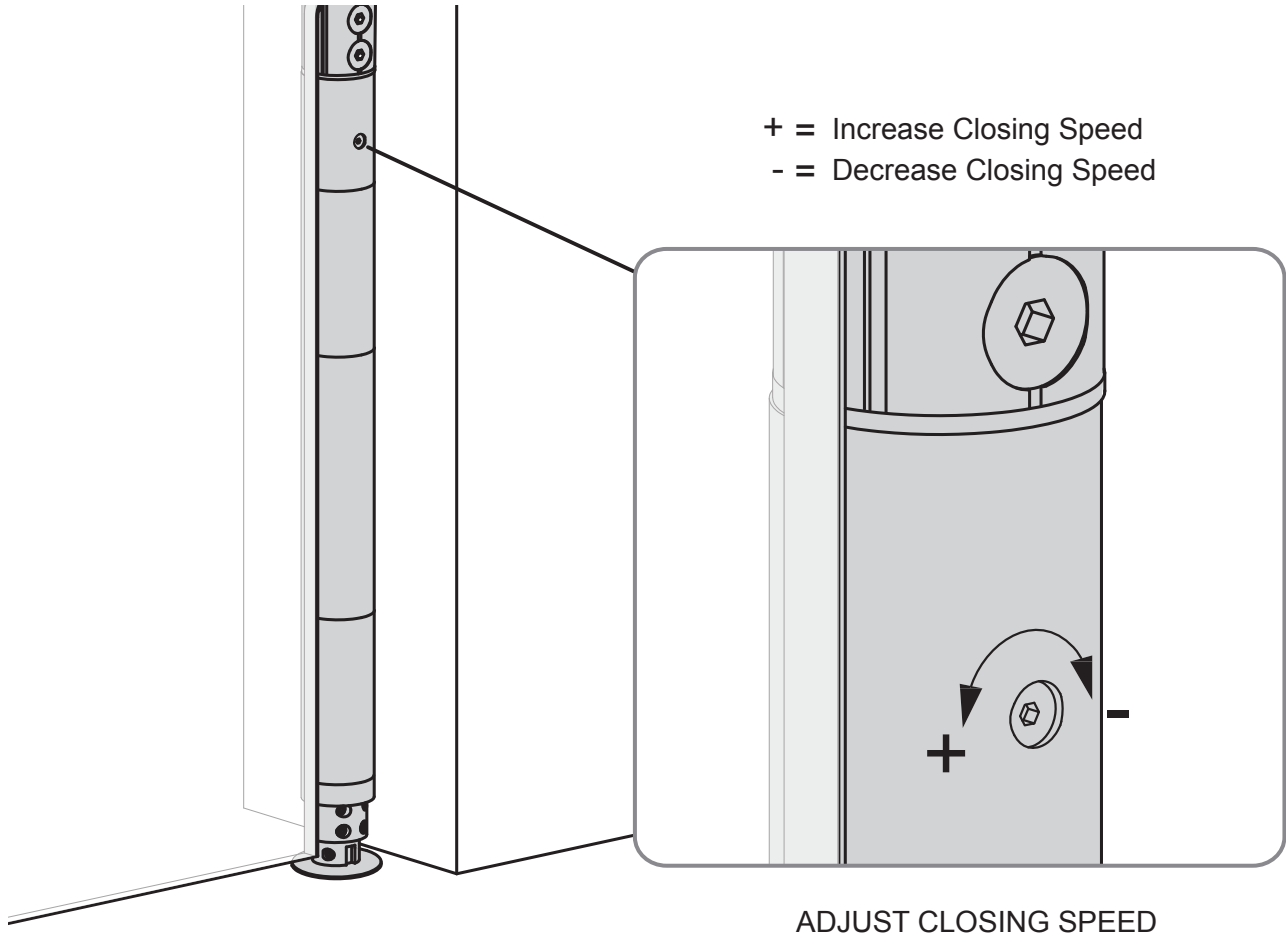


Center Pivot



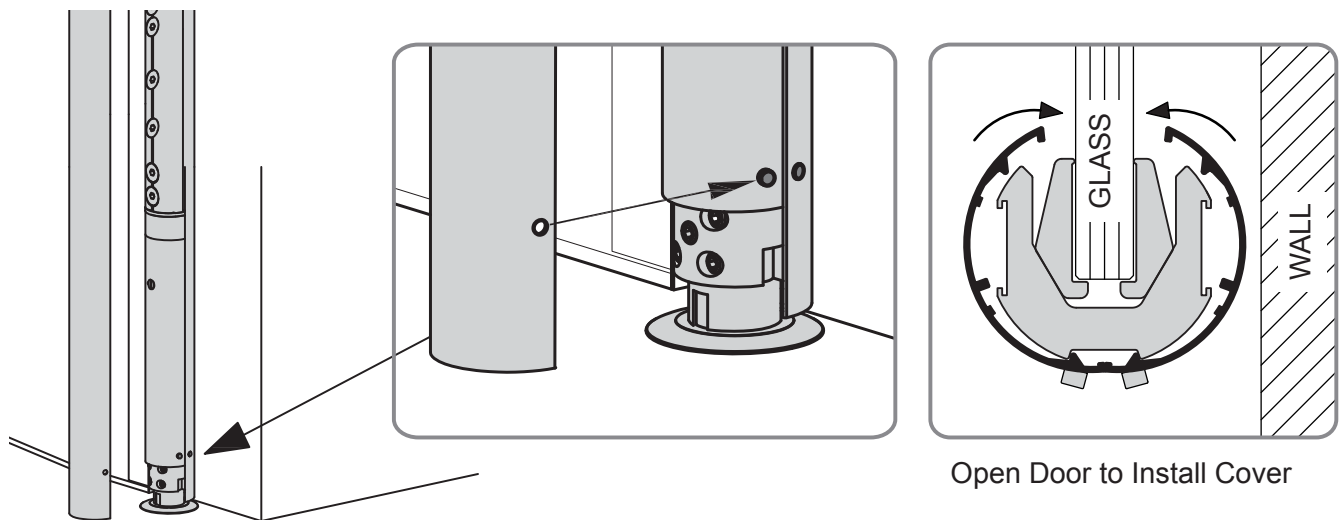
Turn Set Screws to center the panel.

Adjust Closing Speed



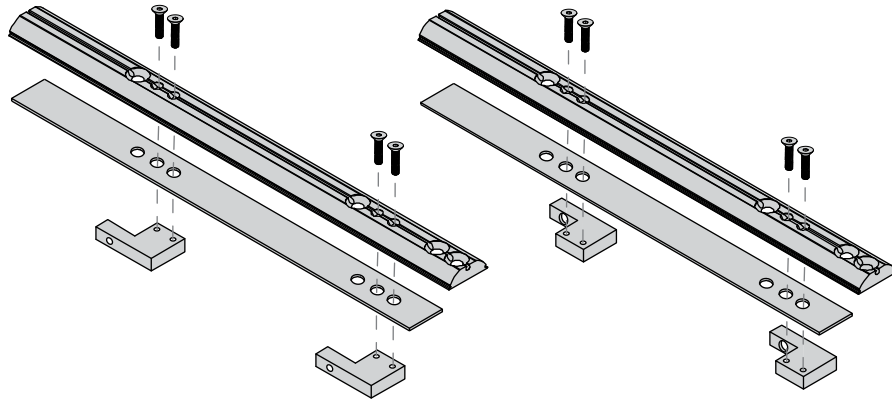
NOTE: Do not remove this screw.

Install Tube Cover

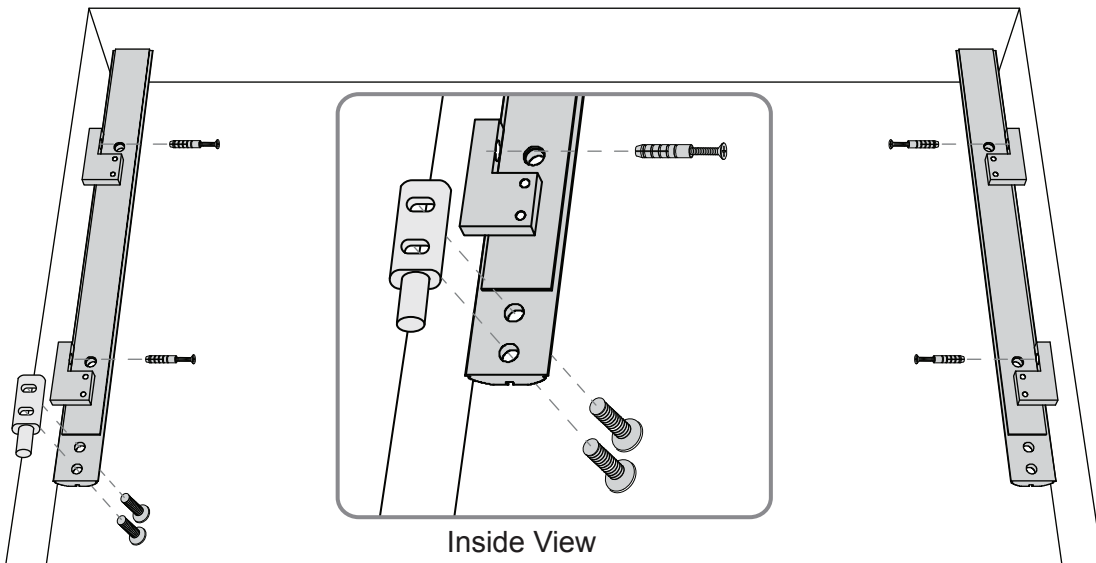


DRS 1202 TRANSOM DOOR WITHOUT SIDELITE

1. Assemble Transom Mount

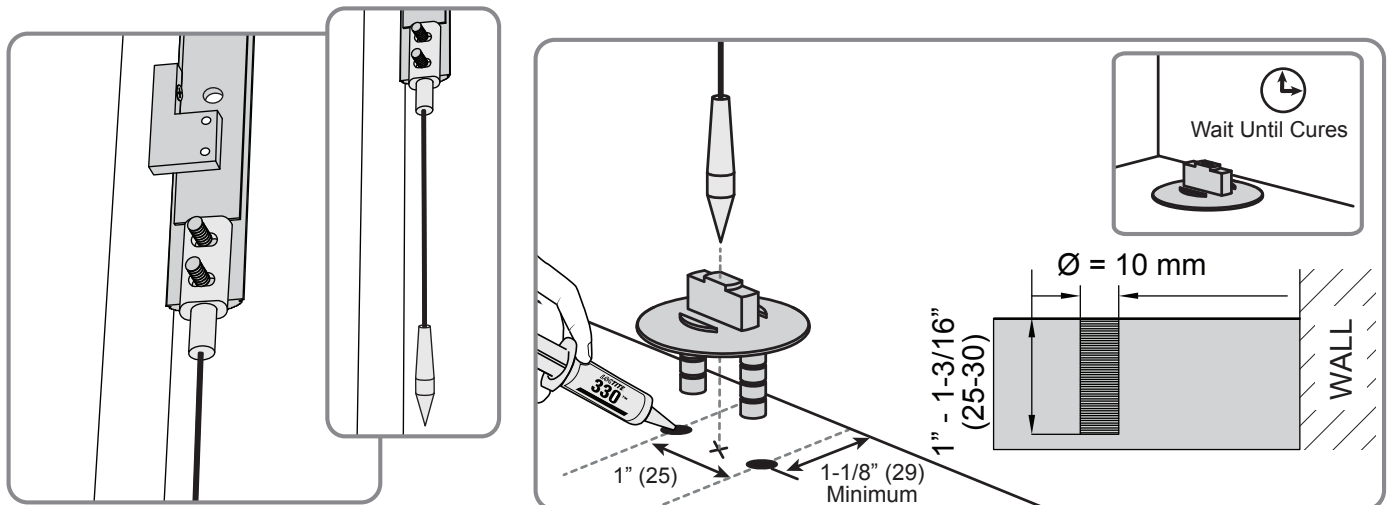


2. Install Transom Mount



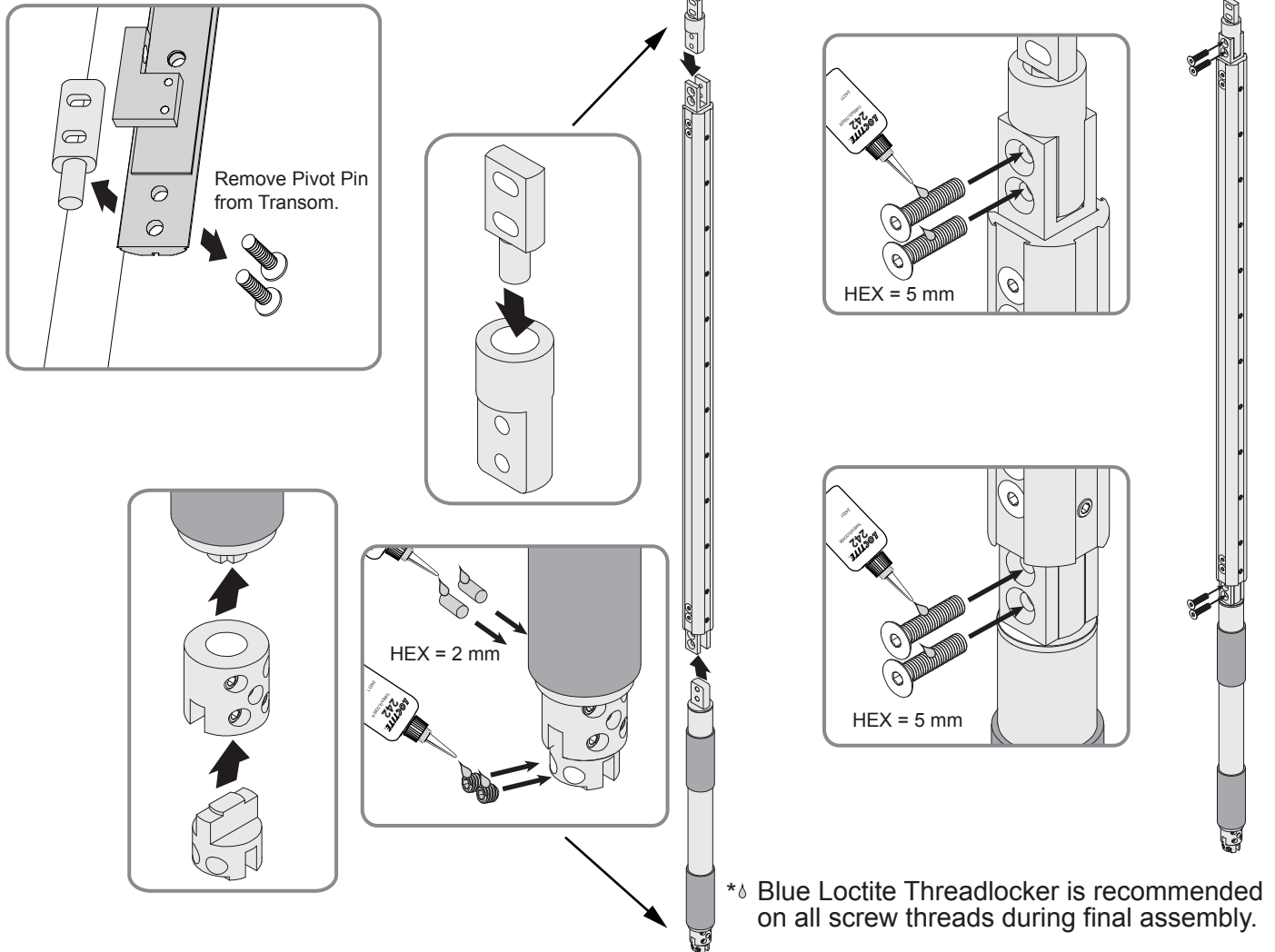
NOTE: Install Pivot Pin temporarily to identify Floor Mount position.

3. Install Floor Mount



Assemble Door

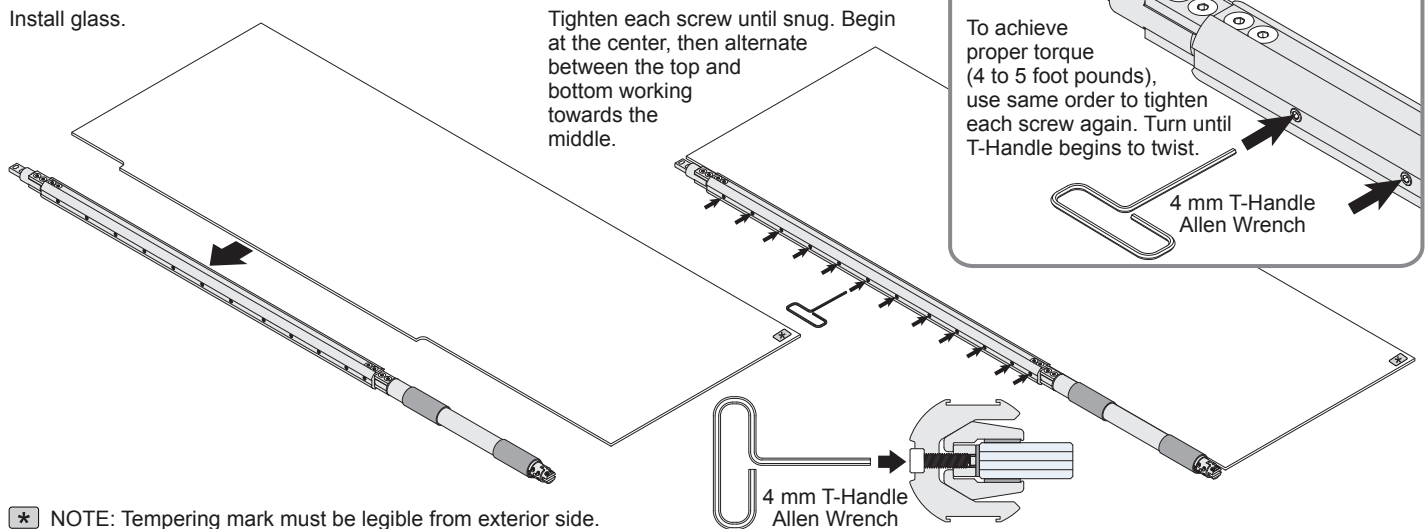
1. Remove Pivot Pin and Assemble Door Hinge Tube



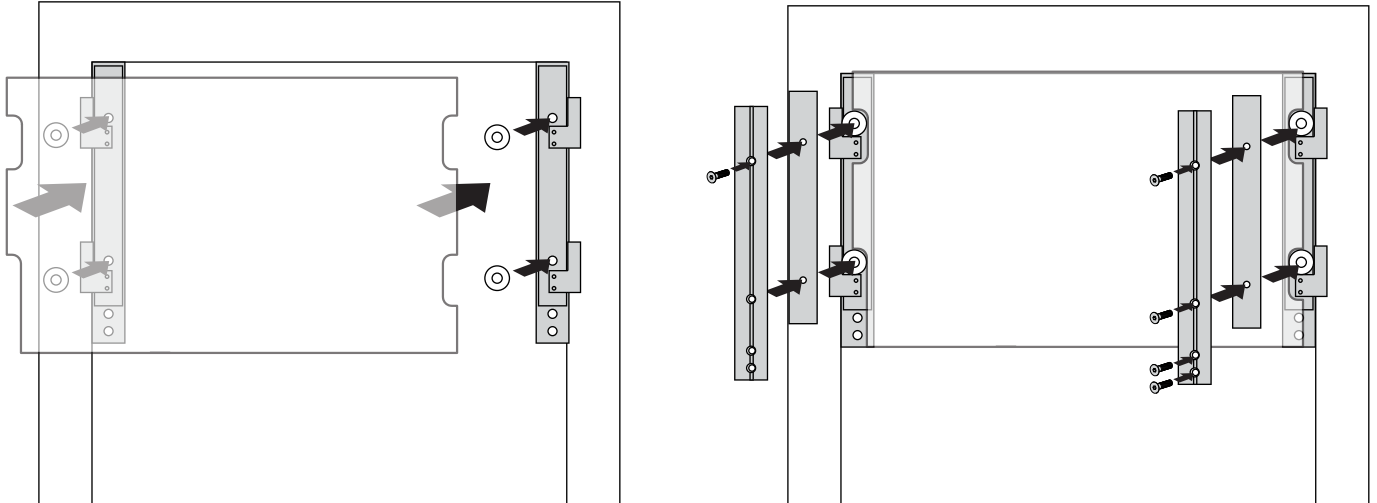
2. Install Tempered Glass

NOTE: Some kits are shipped with the glass already installed.

Install glass.

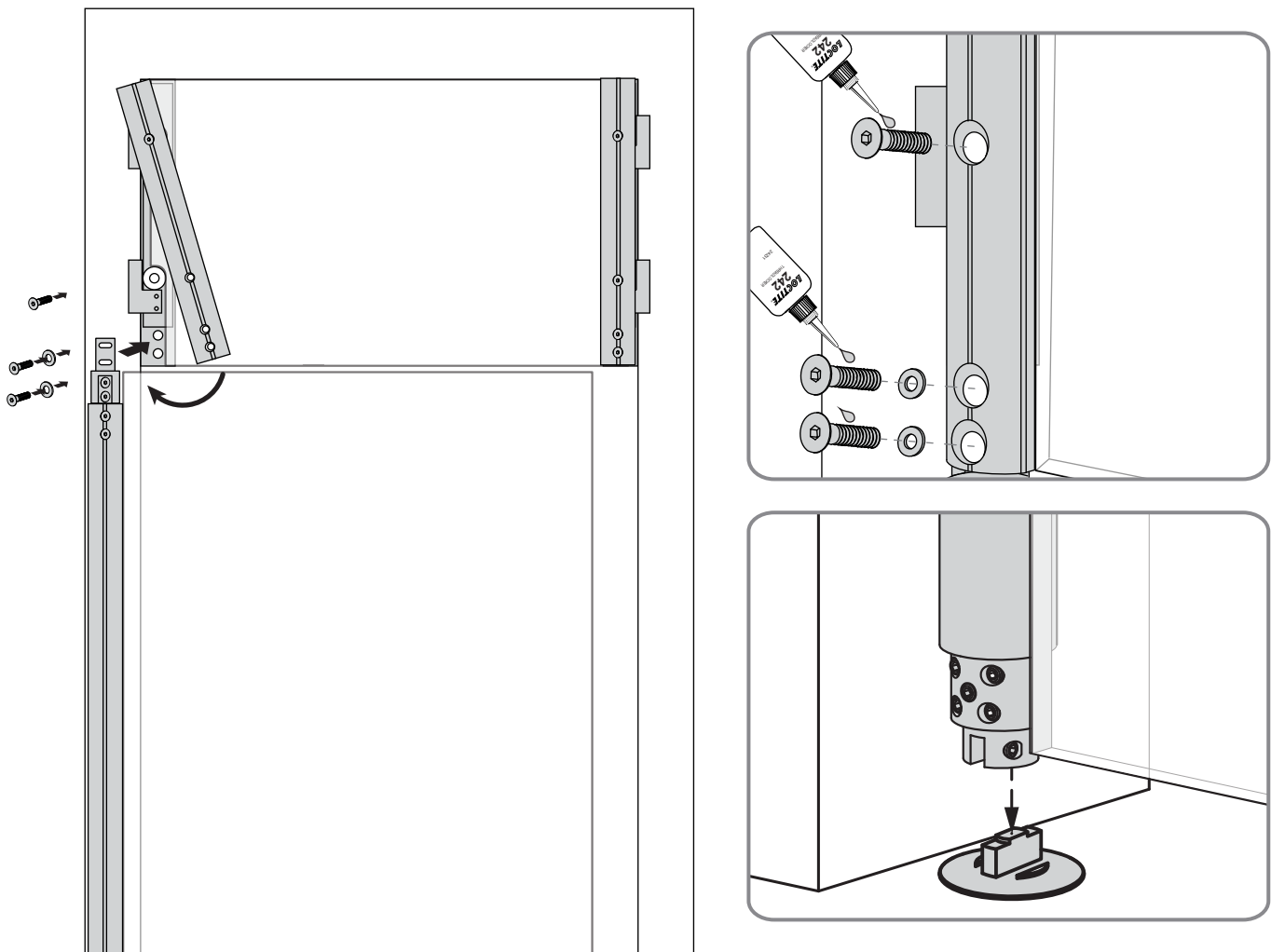


Install Transom Glass



NOTE: Inside Views

Install Door and Secure



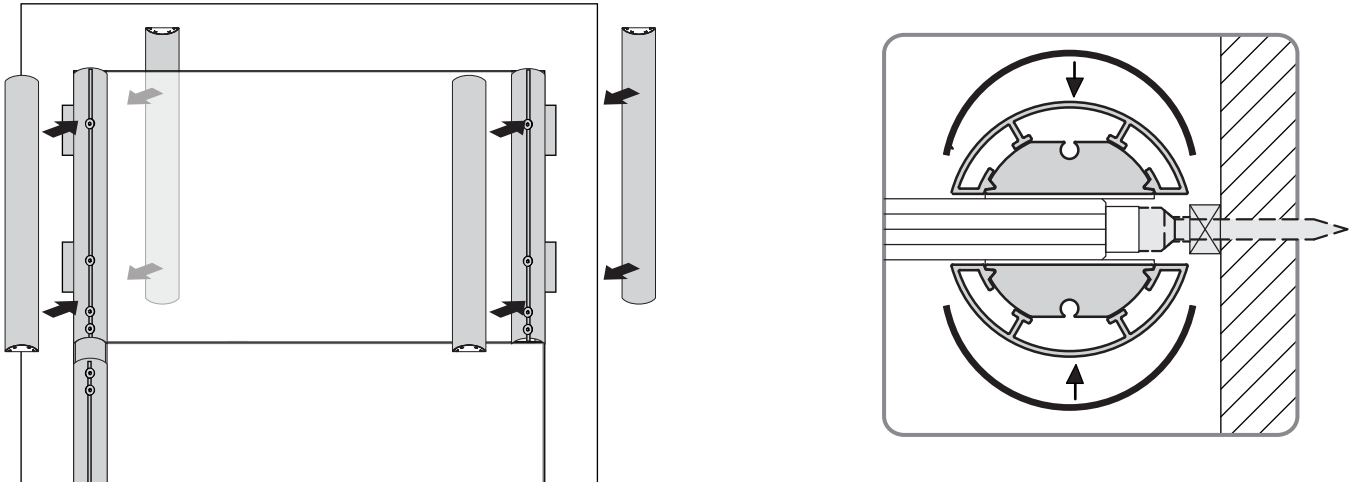
* Blue Loctite Threadlocker is recommended on all screw threads during final assembly.

Adjust Position

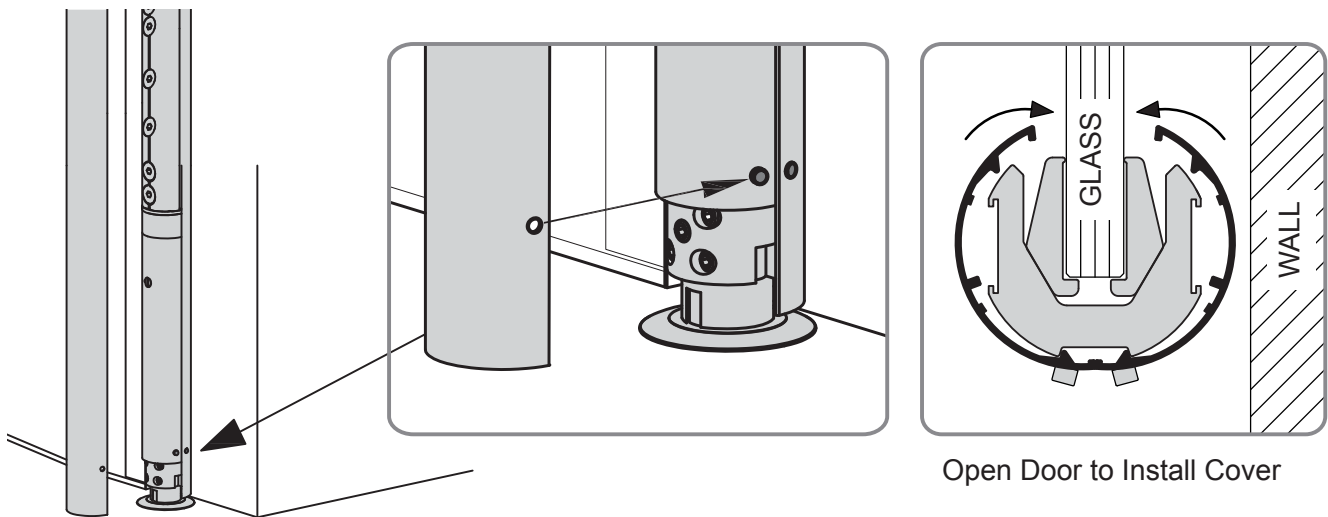
Follow the steps on Pages 17 - 19 to adjust Door Hinge Tube.

Install Transom Covers

1. Install Transom Covers to Interior and Exterior



-
2. Install Tube Cover to Interior and Exterior Door



DRS 1202 TRANSOM DOOR WITH SIDELITE INSTALLATION

1. Install Sidelite Glass

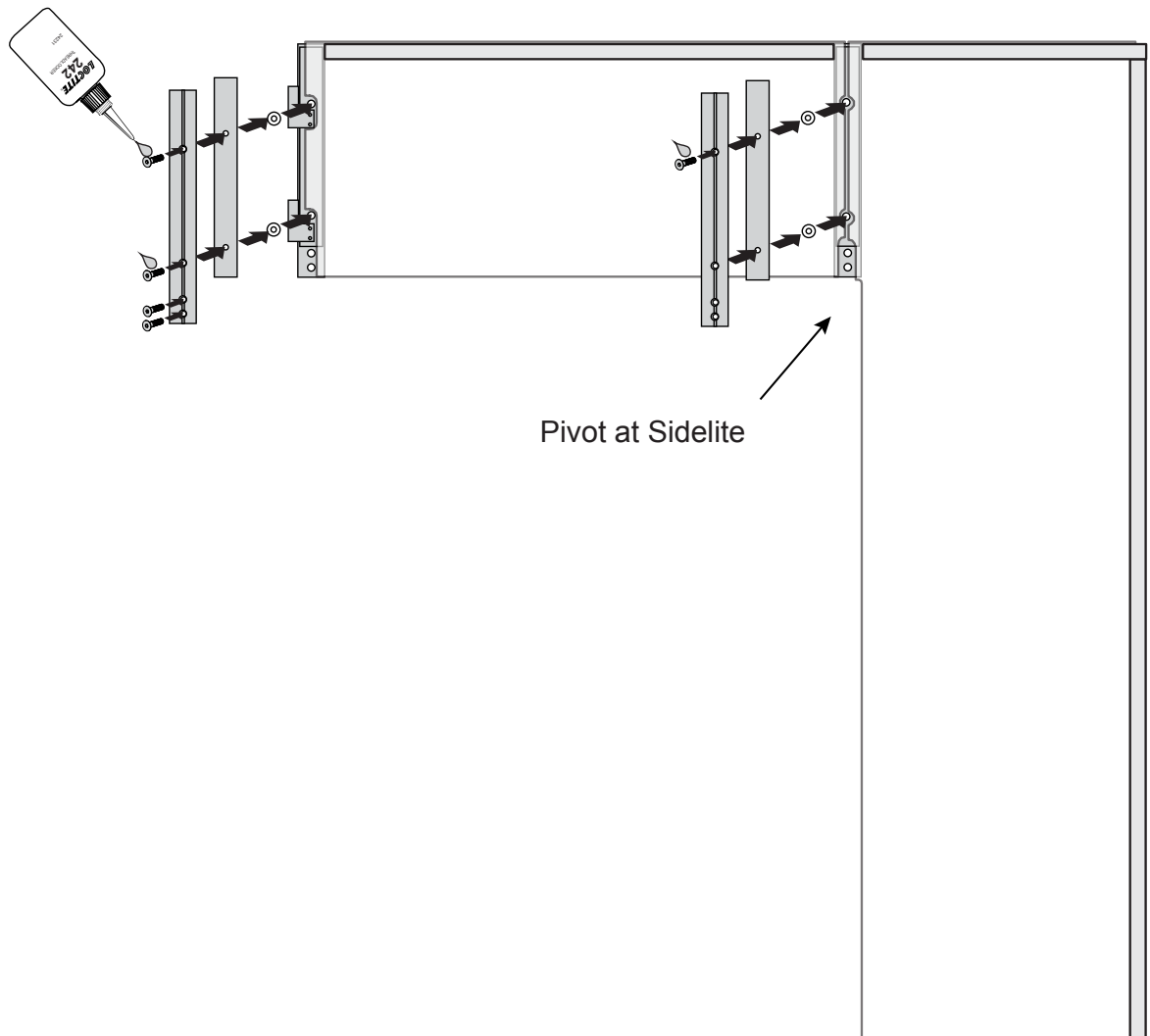
NOTE: Mounting hardware not included in kit, supplied separately.

2. Install Transom Glass

NOTE: Mounting hardware not included in kit, supplied separately.

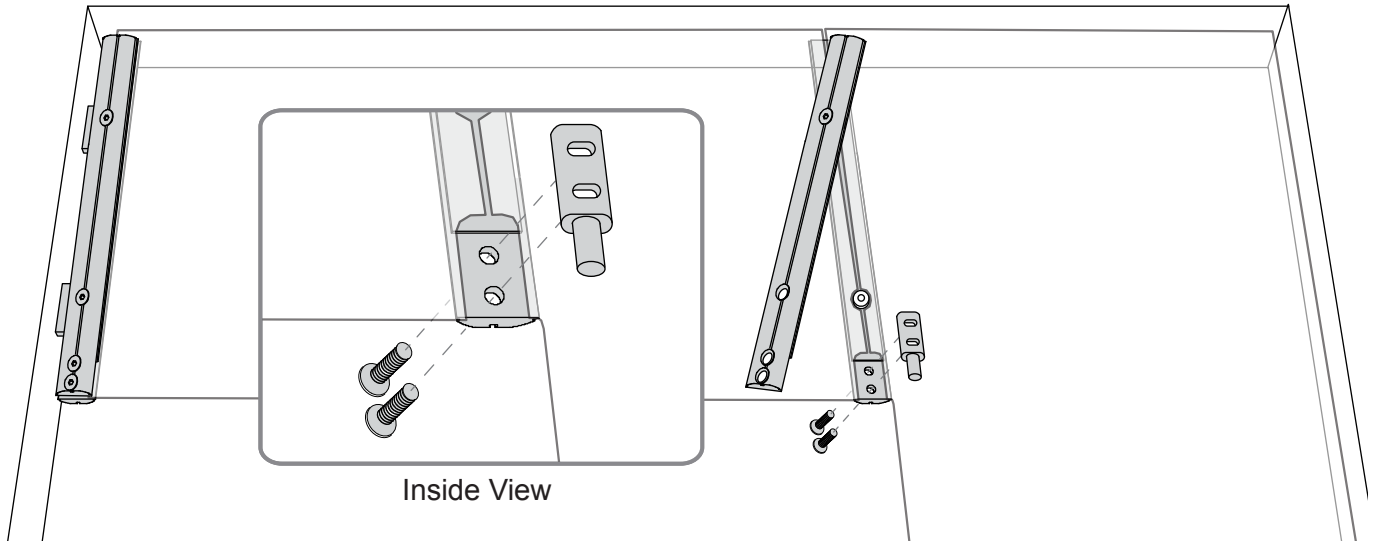
3. Fasten Transom Glass to Wall

NOTE: Follow Steps 1 and 2 on Page 20 to secure transom glass to the wall.

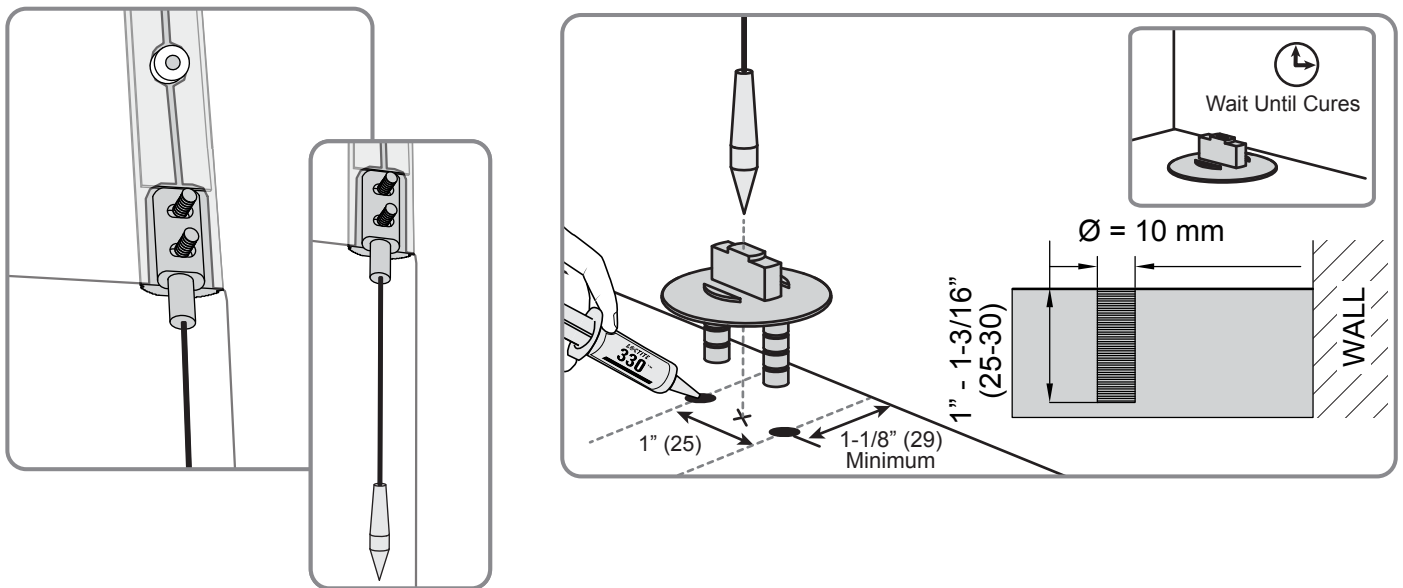


*^o Blue Loctite Threadlocker is recommended on all screw threads during final assembly.

4. Temporarily Install Pivot Pin to Mark Position of Floor Mount

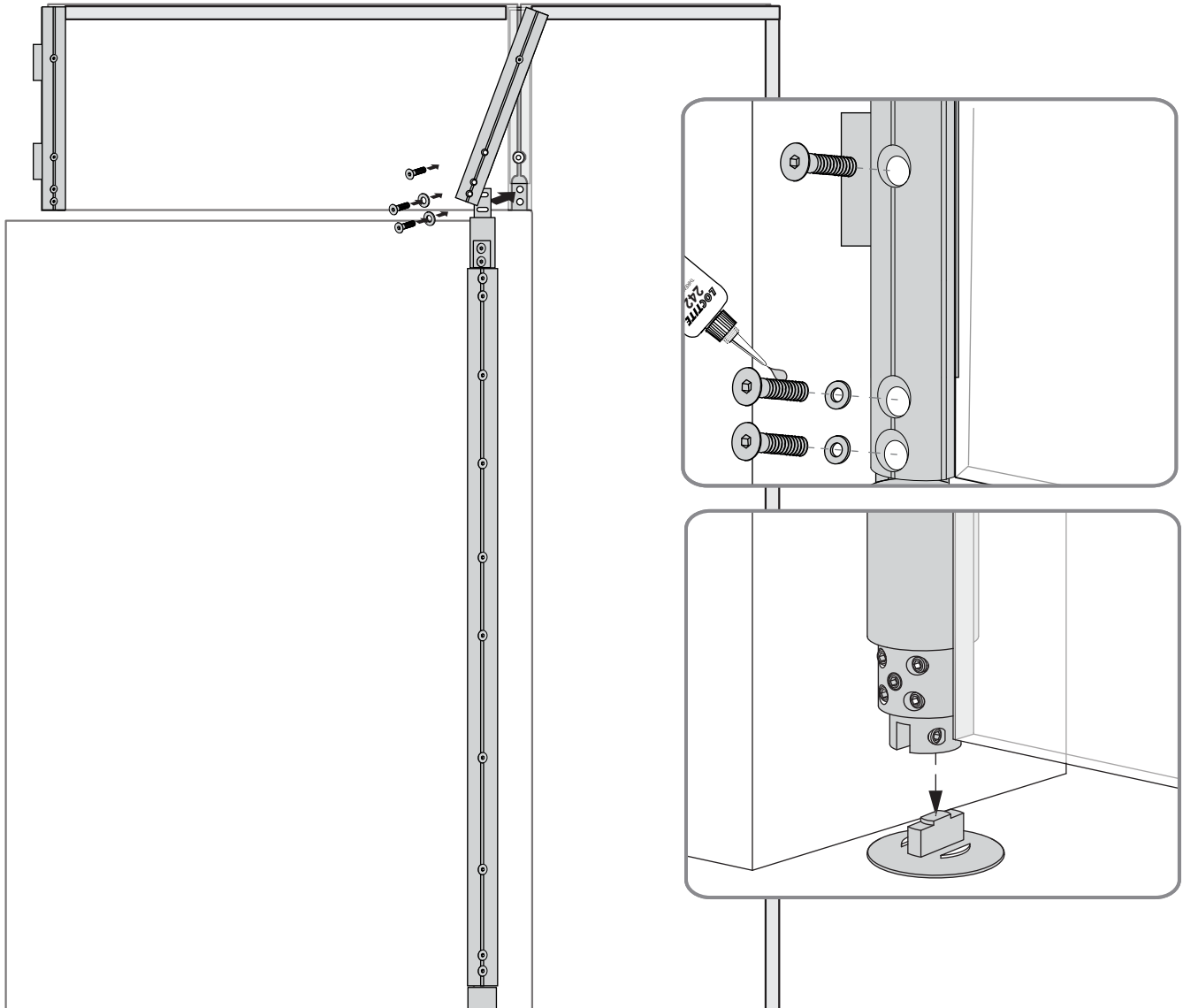


5. Install Floor Mount



6. Remove Pivot Pin, Install Door and Secure

NOTE: Follow instructions on Page 21 to assemble the door.



7. Adjust the Door Hinge Tube Position

NOTE: Follow steps on Pages 17 - 19 to make adjustments.

8. Install Tube Cover to Interior and Exterior Door

NOTE: Follow steps on Page 23 to install.