

NOTE
 1. TEMPLATE CUT FOR SHIPMENT
 ALONG DASH LINE.(3 1/2 x 11")

D	2.18.04	RE-DEFINE START POINT FOR BTM. STUD, WAS FROM FLOOR LINE	ECN1744	RM
C	7/9/97	RE-ESTABLISH EDGE OF DOOR & C OF PAD	ECN1094	RM
B	2/22/89	5/8 DIA. WAS 19/32		RM

DIMENSIONAL TOLERANCES UNLESS OTHERWISE SPECIFIED		APPROVALS	DATE
DECIMAL DIMENSIONS .XX	± .010	APPROVED	
DECIMAL DIMENSIONS .XXX	± .005	CHECKED	
ANGULAR ± x °	FRACTIONAL ± 1/64	DRAWN	R.M., 2.18.04
MATERIAL		SCALE	X

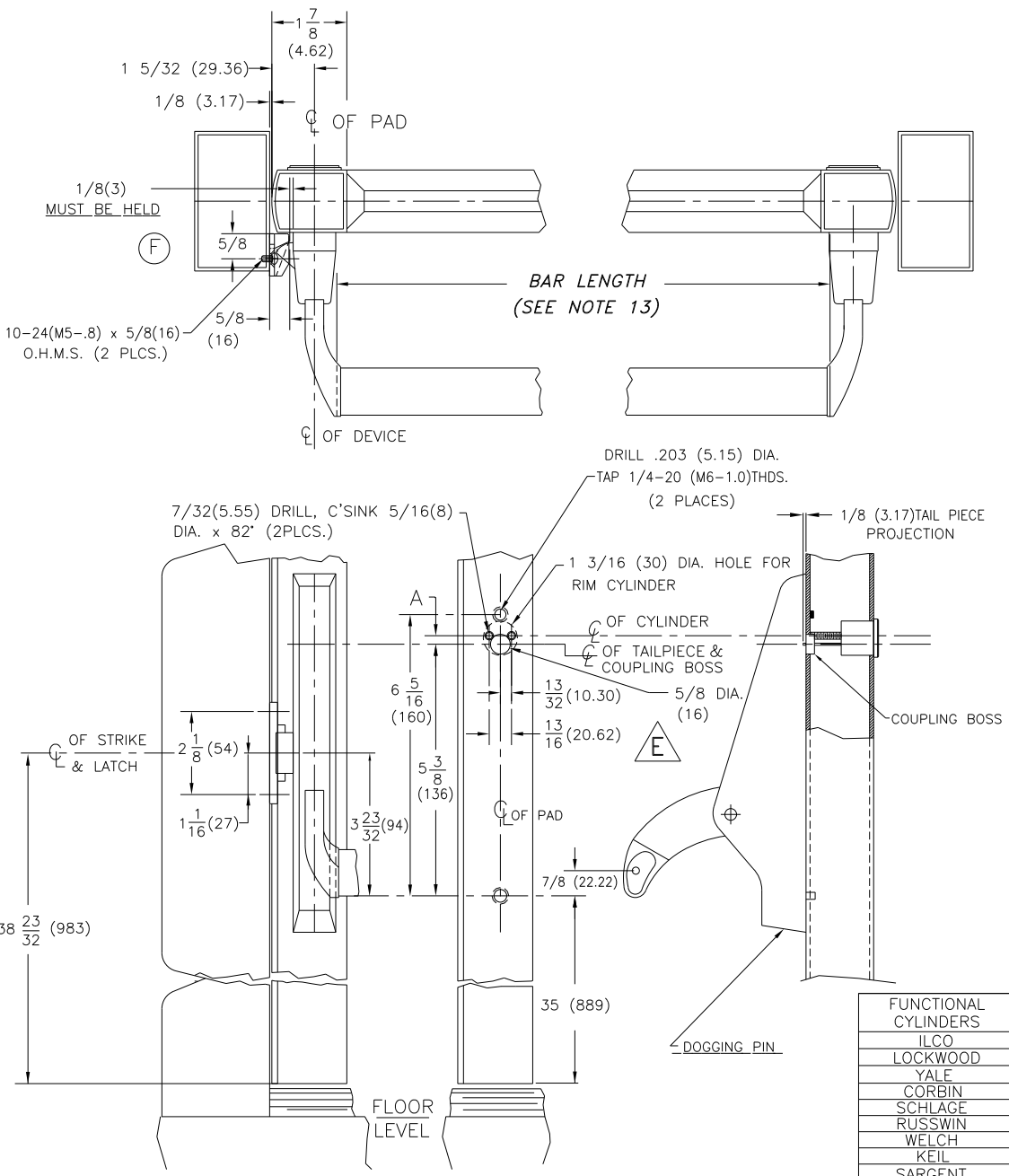
jackson
 CORPORATION
 3447 UNION PACIFIC AVE.
 LOS ANGELES, CALIF. 90023

FILE NO. 10-484	FINISH
NEXT ASSY. 31-1095-L-C-4-XXX	HEAT TREAT
QTY. USED 1	

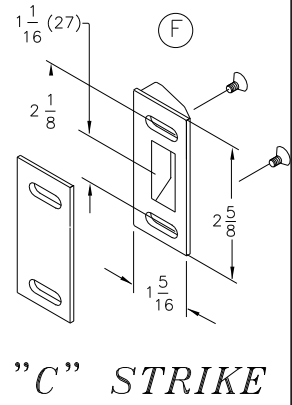
DRILL TEMPLATE
 1095 ACTIVE
 STILE

SHEET 1 OF 1 SHEETS	
DWG. NO. 10-484	REV. D

MOUNTING INSTRUCTIONS



1. DETERMINE HAND OF DOOR AND ESTABLISH CENTER LINE OF PADS ON STILES.
2. PREPARE STILES PER TEMPLATES:
10-484 TEMPLATE FOR ACTIVE STILE.
10-475 TEMPLATE FOR INACTIVE STILE.
3. DRILL CYLINDER MOUNTING HOLES ONLY IF REQUIRED
4. LOCATE CENTER LINE OF CYLINDER ON EXTERIOR SIDE OF ACTIVE STILE AND DRILL IF REQUIRED.
5. TRIM TAIL PIECE TO FIT AS SHOWN.
6. MOUNT CYLINDER IN PLACE AND SECURE WITH MOUNTING SCREWS. (SCREWS MUST BE FLUSH WITH DOOR.)
7. DETERMINE FUNCTION DESIRED:
A.) REGULAR FUNCTION KEY REMOVABLE IN EITHER LOCKED OR UNLOCKED POSITION. FULLY RELEASE LATCH THEN SET INDEX MARK ON COUPLING BOSS STRAIGHT UP.
B.) NIGHT LATCH FUNCTION: KEY REMOVABLE IN LOCKED POSITION ONLY. PREFORM STEP 'A' THEN ROTATE' COUPLING BOSS 90° TOWARDS HINGE SIDE.
8. DRILL .203 (5.16)DIA. AND TAP 1/4-20(M6-1.0) THD (4 PLCS.) ON ACTIVE AND INACTIVE STILES.
& INSTALL FOUR (4) 1/4-20 SHOULDER STUDS. MOUNT ACTIVE PAD TO STILE WITH THREE 1/4-20(M6-1.0) x 1/2(12.7) SOC. SET SCREWS.
9. LOCATE AND DRILL MOUNTING HOLES FOR ADJUSTABLE STRIKE. (CENTER ON LATCH)
10. MOUNT AND SECURE STRIKE AS SHOWN.
11. CHECK OPERATION TO ASSURE THAT ALL PARTS AND CYLINDER ARE FUNCTIONING PROPERLY. ADJUST AS REQUIRED.
12. MOUNT INACTIVE PAD TO STILE WITH THREE (3) 1/4-20(M6-1.0) x 1/2 (12.7) SOC. SET SCREWS.
13. CUT LENGTH OF PANIC BAR BY MEASURING FROM INSIDE TO INSIDE EDGE OF MOUNTING PADS. 1/32 (.79) FIT TO SIZE.
14. LOOSEN INACTIVE PAD. INSTALL AND SECURE PANIC BAR WITH TWO 1/4-20(M6-1.0) x1(25.4) OVAL HD.M.S. (PHIL.) RETIGHTEN PAD SET SCREWS.



DOGGING INSTRUCTIONS:
TO DOG— DEPRESS CROSS BAR TURN KEY TOWARD LOCK SIDE OR PUSH DOGGING
TO UNDOG— DEPRESS CROSS BAR TURN KEY TOWARD LOCK SIDE OR ROTATE DOGGING PIN UNTIL IT RELEASES.

FUNCTIONAL CYLINDERS	DIM. A
ILCO	1/4 (6.35)
LOCKWOOD	
YALE	
CORBIN	
SCHLAGE	
RUSSWIN	
WELCH	
KEIL	
SARGENT	

FILE NO.	INCORPORATE SINTERED ROLLER-LESS "C" STRIKE	ECN1625	RM
NEXT ASSY.	FINISH	INSTALLATION GUIDE 1095	SHEET 1 OF 1 SHEETS
QTY. USED	HEAT TREAT	RIM PANIC DEVICE FOR CENTER HUNG NARROW STILE	DWG. NO. 10-480
			REV. F

APPROVALS


APPROVED	DATE

CHECKED

--

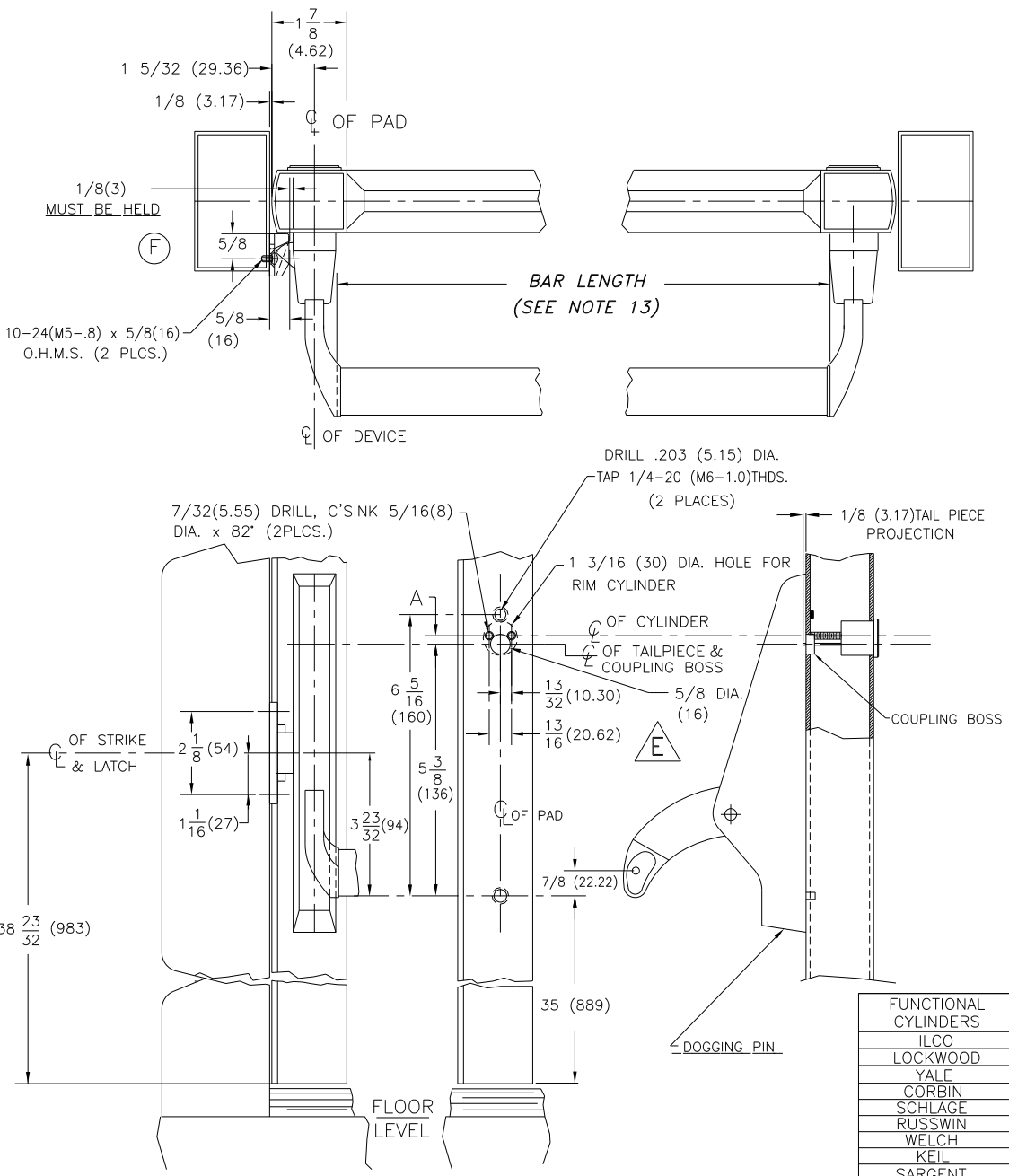
DRAWN RM 6/28/97

SCALE NONE

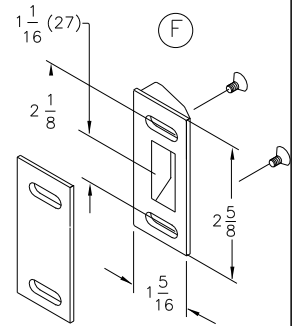


3447 UNION PACIFIC AVE.
LOS ANGELES, CALIF. 90023

MOUNTING INSTRUCTIONS



1. DETERMINE HAND OF DOOR AND ESTABLISH CENTER LINE OF PADS ON STILES.
2. PREPARE STILES PER TEMPLATES:
10-484 TEMPLATE FOR ACTIVE STILE.
10-475 TEMPLATE FOR INACTIVE STILE.
3. DRILL CYLINDER MOUNTING HOLES ONLY IF REQUIRED
4. LOCATE CENTER LINE OF CYLINDER ON EXTERIOR SIDE OF ACTIVE STILE AND DRILL IF REQUIRED.
5. TRIM TAIL PIECE TO FIT AS SHOWN.
6. MOUNT CYLINDER IN PLACE AND SECURE WITH MOUNTING SCREWS. (SCREWS MUST BE FLUSH WITH DOOR.)
7. DETERMINE FUNCTION DESIRED:
A.) REGULAR FUNCTION KEY REMOVABLE IN EITHER LOCKED OR UNLOCKED POSITION. FULLY RELEASE LATCH THEN SET INDEX MARK ON COUPLING BOSS STRAIGHT UP.
B.) NIGHT LATCH FUNCTION: KEY REMOVABLE IN LOCKED POSITION ONLY. PREFORM STEP 'A' THEN ROTATE COUPLING BOSS 90° TOWARDS HINGE SIDE.
8. DRILL .203 (5.16) DIA. AND TAP 1/4-20(M6-1.0) THD (4 PLCS.) ON ACTIVE AND INACTIVE STILES.
& INSTALL FOUR (4) 1/4-20 SHOULDER STUDS. MOUNT ACTIVE PAD TO STILE WITH THREE 1/4-20(M6-1.0) x 1/2(12.7) SOC. SET SCREWS.
9. LOCATE AND DRILL MOUNTING HOLES FOR ADJUSTABLE STRIKE. (CENTER ON LATCH)
10. MOUNT AND SECURE STRIKE AS SHOWN.
11. CHECK OPERATION TO ASSURE THAT ALL PARTS AND CYLINDER ARE FUNCTIONING PROPERLY. ADJUST AS REQUIRED.
12. MOUNT INACTIVE PAD TO STILE WITH THREE (3) 1/4-20(M6-1.0) x 1/2 (12.7) SOC. SET SCREWS.
13. CUT LENGTH OF PANIC BAR BY MEASURING FROM INSIDE TO INSIDE EDGE OF MOUNTING PADS. 1/32 (.79) FIT TO SIZE.
14. LOOSEN INACTIVE PAD. INSTALL AND SECURE PANIC BAR WITH TWO 1/4-20(M6-1.0) x1(25.4) OVAL HD.M.S. (PHIL.) RETIGHTEN PAD SET SCREWS.



"C" STRIKE

DOGGING INSTRUCTIONS:

TO DOG— DEPRESS CROSS BAR TURN KEY TOWARD LOCK SIDE OR PUSH DOGGING
TO UNDOG— DEPRESS CROSS BAR TURN KEY TOWARD LOCK SIDE OR ROTATE DOGGING PIN UNTIL IT RELEASES.

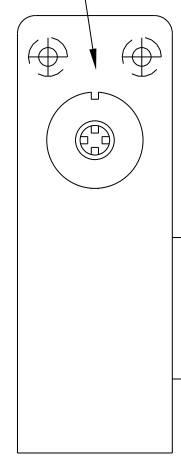
FUNCTIONAL CYLINDERS	DIM. A
ILCO	1/4 (6.35)
LOCKWOOD	
YALE	
CORBIN	
SCHLAGE	
RUSSWIN	
WELCH	
KEIL	
SARGENT	

FILE NO.	INCORPORATE SINTERED ROLLER-LESS "C" STRIKE	ECN1625	RM
NEXT ASSY.	FINISH	1095-KITS	
QTY. USED	HEAT TREAT	1	
APPROVALS		DATE	
UNLESS OTHERWISE SPECIFIED		APPROVED	
DECIMAL DIMENSIONS .XX ± .010		CHECKED	
DECIMAL DIMENSIONS .XXX ± .005		DRAWN	RM 6/28/97
ANGULAR ± X ° FRACTIONAL ± 1/64		SCALE	NONE
MATERIAL		3447 UNION PACIFIC AVE. LOS ANGELES, CALIF. 90023	
INSTALLATION GUIDE 1095		SHEET 1 OF 1 SHEETS	
RIM PANIC DEVICE FOR		DWG. NO.	10-480
CENTER HUNG NARROW STILE		REV.	F



REMOVE PLATE ASSEMBLY

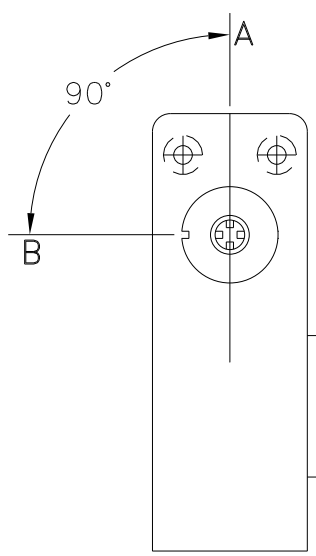
POSITION OF INDEX MARK ON COUPLING BOSS.




LATCH IN LOCKED POSITION.

A)

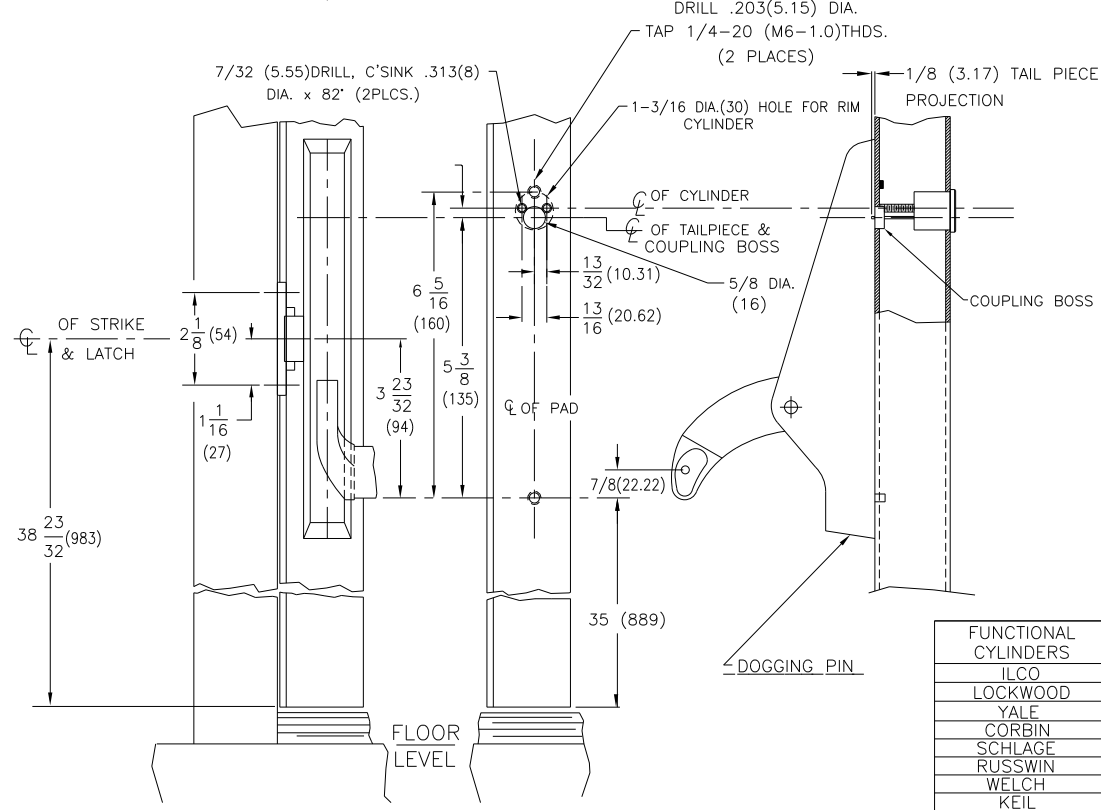
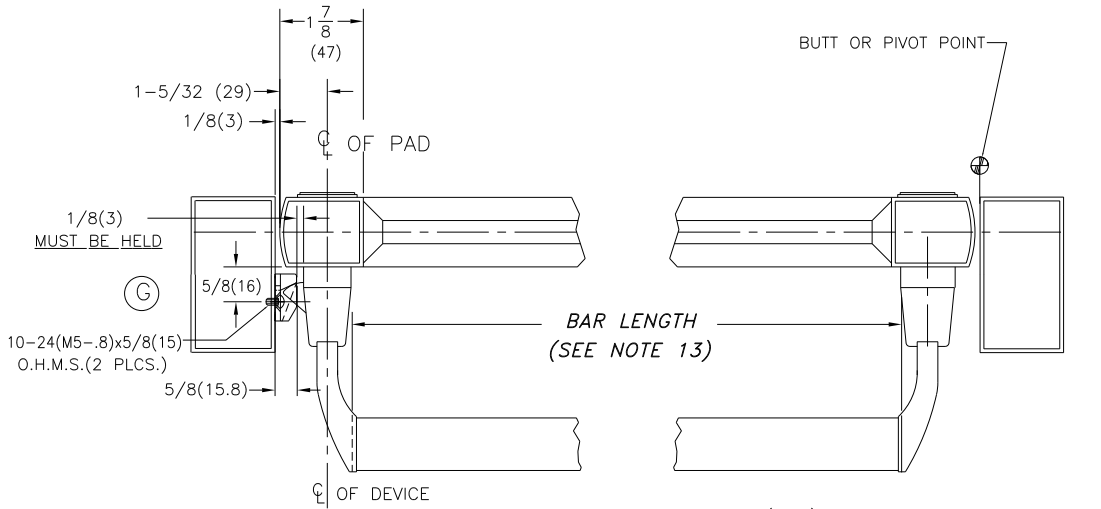
- A.) REGULAR FUNCTION KEY REMOVABLE IN EITHER LOCKED OR UNLOCKED POSITION. FULLY RELEASE LATCH THEN SET INDEX MARK ON COUPLING BOSS STRAIGHT UP.
- B.) NIGHT LATCH FUNCTION: KEY REMOVABLE IN LOCKED POSITION ONLY. PERFORM STEP 'A' THEN ROTATE COUPLING BOSS 90° TOWARDS HINGE SIDE.



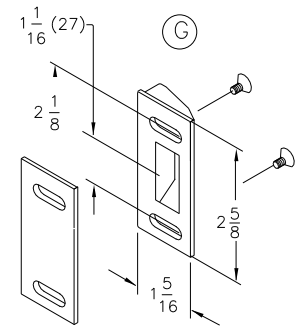
B)

DIMENSIONAL TOLERANCES UNLESS OTHERWISE SPECIFIED		APPROVALS	DATE	 <p>3447 UNION PACIFIC AVE. LOS ANGELES, CALIF. 90023</p>
DECIMAL DIMENSIONS .XX ± .010		APPROVED		
DECIMAL DIMENSIONS .XXX ± .005		CHECKED		
ANGULAR ± ° FRACTIONAL ± 1/64		DRAWN	R.M. 7/9/97	
FILE NO.	MATERIAL	SCALE FULL		
NEXT ASSY.	FINISH	KEY AND LATCH FUNCTION 1095		SHEET 1 OF 1 SHEETS
QTY. USED	HEAT TREAT			DWG. NO.
1		10-480-1	A	

MOUNTING INSTRUCTIONS



1. DETERMINE HAND OF DOOR AND ESTABLISH CENTER LINE OF PADS ON STILES.
2. PREPARE STILES PER TEMPLATES:
10-484 TEMPLATE FOR ACTIVE STILE.
10-475 TEMPLATE FOR INACTIVE STILE.
3. DRILL CYLINDER MOUNTING HOLES ONLY IF REQUIRED
4. LOCATE CENTER LINE OF CYLINDER ON EXTERIOR SIDE OF ACTIVE STILE AND DRILL IF REQUIRED.
5. TRIM TAIL PIECE TO FIT AS SHOWN.
6. MOUNT CYLINDER IN PLACE AND SECURE WITH MOUNTING SCREWS. (SCREWS MUST BE FLUSH WITH DOOR.)
7. DETERMINE FUNCTION DESIRED:
A.) REGULAR FUNCTION KEY REMOVABLE IN EITHER LOCKED OR UNLOCKED POSITION. FULLY RELEASE LATCH THEN SET INDEX MARK ON COUPLING BOSS STRAIGHT UP.
B.) NIGHT LATCH FUNCTION: KEY REMOVABLE IN LOCKED POSITION ONLY. PREFORM STEP 'A' THEN ROTATE' COUPLING BOSS 90° TOWARDS HINGE SIDE.
8. DRILL .203 (5.15)DIA. AND TAP 1/4-20 THD (4 PLCS.) ON ACTIVE & INACTIVE STILES & INSTALL FOUR (4) 1/4-20(M6-1.0) SHOULDER STUDS. MOUNT ACTIVE PAD TO STILE WITH THREE 1/4-20(M6-1.0)x1/2(12.7) SOC. SET SCREWS.
9. LOCATE AND DRILL MOUNTING HOLES FOR ADJUSTABLE STRIKE. (CENTER ON LATCH)
10. MOUNT AND SECURE STRIKE AS SHOWN.
11. CHECK OPERATION TO ASSURE THAT ALL PARTS AND CYLINDER ARE FUNCTIONING PROPERLY. ADJUST AS REQUIRED.
12. MOUNT INACTIVE PAD TO STILE WITH THREE (3) 1/4-20 (M6-1.0)x 1/2(12.7) SOC. SET SCREWS.
13. CUT LENGTH OF PANIC BAR BY MEASURING FROM INSIDE TO INSIDE EDGE OF MOUNTING PADS. 1/32± (.79) FIT TO SIZE.
14. LOOSEN INACTIVE PAD. INSTALL AND SECURE PANIC BAR WITH TWO 1/4-20(M6-1.0) x 1(25.4) OVAL HD.M.S. (PHIL.) RETIGHTEN PAD SET SCREWS.



"C" STRIKE

DOGGING INSTRUCTIONS:

- (H) TO DOG— DEPRESS CROSS BAR TURN KEY TOWARD HINGE SIDE OR PUSH DOGGING PIN UP AND TURN 90 EITHER DIRECTION.
TO UNDOG— DEPRESS CROSS BAR TURN KEY TOWARD LOCK SIDE OR ROTATE DOGGING PIN UNTIL IT RELEASES.

FUNCTIONAL CYLINDERS	DIM.
ILCO	1/4(6.35)
LOCKWOOD	
YALE	
CORBIN	
SCHLAGE	
RUSSWIN	
WELCH	
KEIL	
SARGENT	

H 6.20.05 REVISE "DOGGING INSTRUCTIONS" HINGE WAS LOCK ECN1846 RM	
G 6.26.03 INCORPORATE CENTERED "C" STRIKE ECN1625 RM	
F 16/11/98 R E D R A W N ECN1143 RM	
DIMENSIONAL TOLERANCES UNLESS OTHERWISE SPECIFIED	APPROVALS DATE
DECIMAL DIMENSIONS .XX ± .010	APPROVED
DECIMAL DIMENSIONS .XXX ± .005	CHECKED
ANGULAR ± X ° FRACTIONAL ± 1/64	DRAWN RM 6/28/97
FILE NO.	MATERIAL
NEXT ASSY. 1095-KITS	FINISH
QTY. USED 1	HEAT TREAT
SCALE NONE	
INSTALLATION GUIDE 1095 RIM PANIC DEVICE FOR OFFSET PIVOT OR BUTT HINGE	
SHEET 1 OF 1 SHEETS DWG. NO. 10-481	REV. H



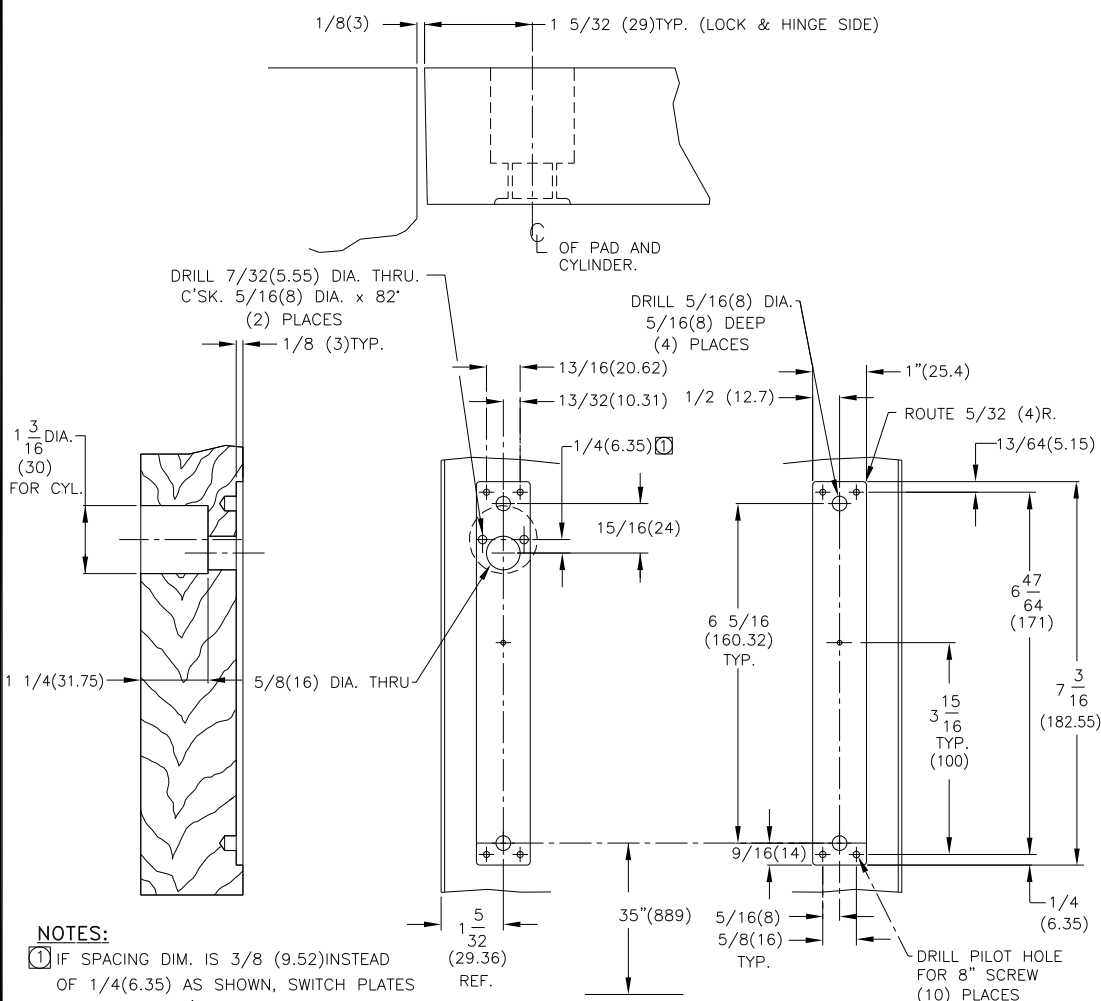
MOUNTING INSTRUCTIONS

1. DETERMINE HAND OF DOOR AND ESTABLISH CENTER LINE OF PADS ON STILES.
2. PREPARE STILES PER TEMPLATES:
10-484 TEMPLATE FOR ACTIVE STILE.
10-475 TEMPLATE FOR INACTIVE STILE.
3. DRILL CYLINDER MOUNTING HOLES ONLY IF REQUIRED
4. LOCATE CENTER LINE OF CYLINDER ON EXTERIOR SIDE OF ACTIVE STILE AND DRILL IF REQUIRED.
5. TRIM TAIL PIECE TO FIT AS SHOWN.
6. MOUNT CYLINDER IN PLACE AND SECURE WITH MOUNTING SCREWS. (*SCREWS MUST BE FLUSH WITH DOOR.*)
7. DETERMINE FUNCTION DESIRED:
A.) REGULAR FUNCTION KEY REMOVABLE IN EITHER LOCKED
OR UNLOCKED POSITION. FULLY RELEASE LATCH THEN SET INDEX MARK ON COUPLING BOSS STRAIGHT UP.
B.) NIGHT LATCH FUNCTION: KEY REMOVABLE IN LOCKED
POSITION ONLY. PREFORM STEP 'A' THEN ROTATE' COUPLING BOSS 90° TOWARDS HINGE SIDE.
8. DRILL .203 DIA. AND TAP 1/4-20 THD (4 PLCS.) ON ACTIVE & INACTIVE STILES & INSTALL FOUR (4) 1/4-20 SHOULDER STUDS. MOUNT ACTIVE PAD TO STILE WITH THREE 1/4-20 x 1/2 SOC. SET SCREWS.
9. LOCATE AND DRILL MOUNTING HOLES FOR ADJUSTABLE STRIKE. (CENTER ON LATCH)
10. MOUNT AND SECURE STRIKE AS SHOWN.
11. CHECK OPERATION TO ASSURE THAT ALL PARTS AND CYLINDER ARE FUNCTIONING PROPERLY. ADJUST AS REQUIRED.
12. MOUNT INACTIVE PAD TO STILE WITH THREE (3) 1/4-20 x 1/2 SOC. SET SCREWS.
13. CUT LENGTH OF PANIC BAR BY MEASURING FROM INSIDE TO INSIDE EDGE OF MOUNTING PADS. 1/32 FIT TO SIZE.
14. LOOSEN INACTIVE PAD. INSTALL AND SECURE PANIC BAR WITH TWO 1/4-20 x 1 OVAL HD.M.S. (PHIL.)
RETIGHTEN PAD SET SCREWS.

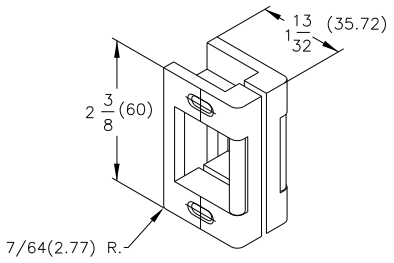
DOGGING INSTRUCTIONS:

TO DOG— DEPRESS CROSS BAR TURN KEY
TOWARD LOCK SIDE OR PUSH DOGGING
PIN UP AND °TURN 90

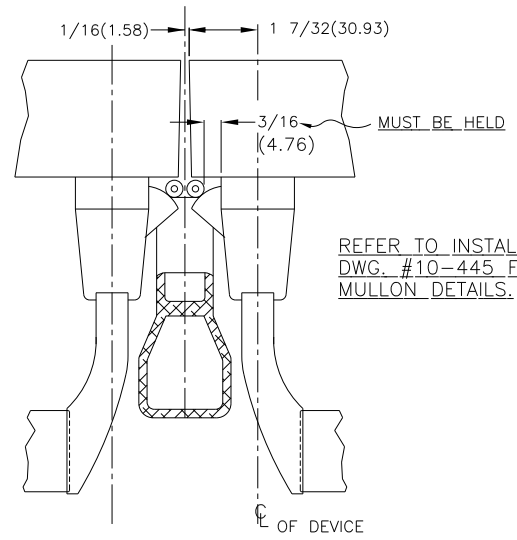
TO UNDOG— DEPRESS CROSS BAR TURN KEY
TOWARD LOCK SIDE OR ROTATE DOGGING
PIN UNTIL IT RELEASES.



NOTES:
 ① IF SPACING DIM. IS 3/8 (9.52) INSTEAD OF 1/4 (6.35) AS SHOWN, SWITCH PLATES AND DRILL & C'SINK. TO SUIT.



TYPE "P" ADJUSTABLE STRIKE



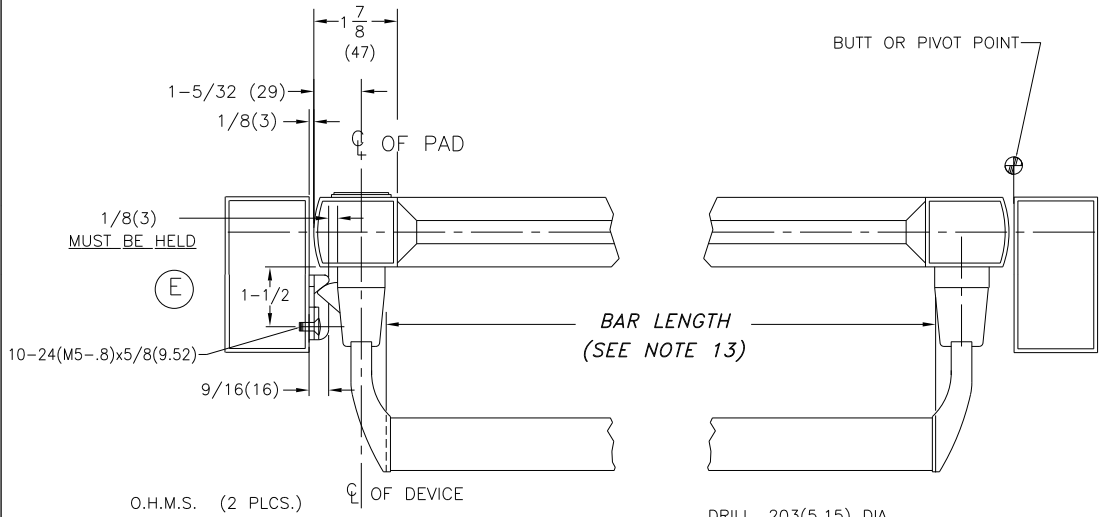
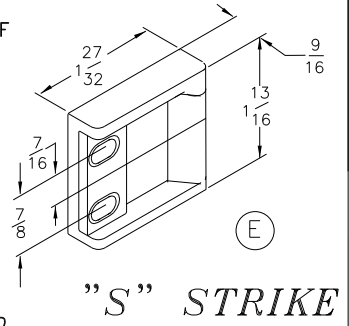
ACTIVE SIDE ROUTING INACTIVE SIDE ROUTING
 FOR PLATE #30-886 FOR PLATE #30-884
 PACKAGE NO. 30-894

1095 WOOD APPLICATION
 ROUTING OF WOOD DOOR FOR SUPPORT PLATES
 L.H.R.B. SHOWN
 R.H.R.B. OPPOSITE

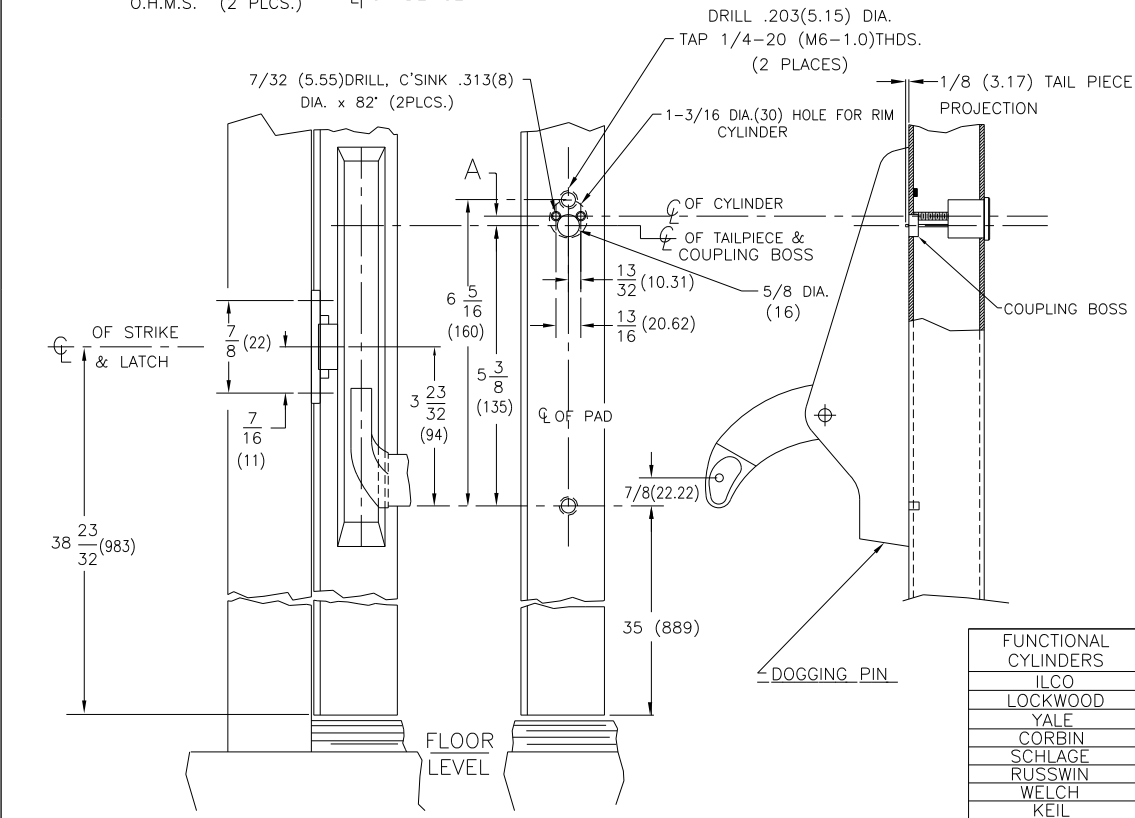
FILE NO.	MATERIAL	FINISH	HEAT TREAT	QTY. USED	1
NEXT ASSY.		HEAT TREAT		1	
APPROVALS		DATE		7/7/97	
DIMENSIONAL TOLERANCES UNLESS OTHERWISE SPECIFIED		APPROVED		RM	
DECIMAL DIMENSIONS .XX ± .010		CHECKED		RM	
DECIMAL DIMENSIONS .XXX ± .005		DRAWN		RM	
ANGULAR ± ° FRACTIONAL ± 1/64		SCALE		NONE	
F 3/14/98		RE D R A W N		ECN1143	
DIMENSIONAL TOLERANCES UNLESS OTHERWISE SPECIFIED		APPROVED		DATE	
DECIMAL DIMENSIONS .XX ± .010		CHECKED		RM	
DECIMAL DIMENSIONS .XXX ± .005		DRAWN		RM	
ANGULAR ± ° FRACTIONAL ± 1/64		SCALE		NONE	
MATERIAL		FINISH		1095 xWOOD APPLICATION	
NEXT ASSY.		HEAT TREAT		SHEET 1 OF 1 SHEETS	
QTY. USED		1		DWG. NO.	
1		1095 xWOOD APPLICATION		10-482	
APPROVALS		DATE		REV.	
APPROVED		7/7/97		F	
CHECKED		RM		F	
DRAWN		RM		F	
SCALE		NONE		F	



MOUNTING INSTRUCTIONS



1. DETERMINE HAND OF DOOR AND ESTABLISH CENTER LINE OF PADS ON STILES.
2. PREPARE STILES PER TEMPLATES:
10-484 TEMPLATE FOR ACTIVE STILE.
10-475 TEMPLATE FOR INACTIVE STILE.
3. DRILL CYLINDER MOUNTING HOLES ONLY IF REQUIRED
4. LOCATE CENTER LINE OF CYLINDER ON EXTERIOR SIDE OF ACTIVE STILE AND DRILL IF REQUIRED.
5. TRIM TAIL PIECE TO FIT AS SHOWN.
6. MOUNT CYLINDER IN PLACE AND SECURE WITH MOUNTING SCREWS. (SCREWS MUST BE FLUSH WITH DOOR.)
7. DETERMINE FUNCTION DESIRED:
A.) REGULAR FUNCTION KEY REMOVABLE IN EITHER LOCKED OR UNLOCKED POSITION. FULLY RELEASE LATCH THEN SET INDEX MARK ON COUPLING BOSS STRAIGHT UP.
B.) NIGHT LATCH FUNCTION: KEY REMOVABLE IN LOCKED POSITION ONLY. PREFORM STEP 'A' THEN ROTATE COUPLING BOSS 90° TOWARDS HINGE SIDE.



8. DRILL .203 (5.15)DIA. AND TAP 1/4-20 THD (4 PLCS.) ON ACTIVE & INACTIVE STILES & INSTALL FOUR (4) 1/4-20(M6-1.0) SHOULDER STUDS. MOUNT ACTIVE PAD TO STILE WITH THREE 1/4-20(M6-1.0)x1/2(12.7) SOC. SET SCREWS.
9. LOCATE AND DRILL MOUNTING HOLES FOR ADJUSTABLE STRIKE. (CENTER ON LATCH)
10. MOUNT AND SECURE STRIKE AS SHOWN.
11. CHECK OPERATION TO ASSURE THAT ALL PARTS AND CYLINDER ARE FUNCTIONING PROPERLY. ADJUST AS REQUIRED.
12. MOUNT INACTIVE PAD TO STILE WITH THREE (3) 1/4-20 (M6-1.0)x 1/2(12.7) SOC. SET SCREWS.
13. CUT LENGTH OF PANIC BAR BY MEASURING FROM INSIDE TO INSIDE EDGE OF MOUNTING PADS. 1/32± (.79) FIT TO SIZE.
14. LOOSEN INACTIVE PAD. INSTALL AND SECURE PANIC BAR WITH TWO 1/4-20(M6-1.0) x 1(25.4) OVAL HD.M.S. (PHIL.) RETIGHTEN PAD SET SCREWS.

DOGGING INSTRUCTIONS:

TO DOG- DEPRESS CROSS BAR TURN KEY TOWARD LOCK SIDE OR PUSH DOGGING PIN UP AND TURN 90° EITHER DIRECTION.
TO UNDOG- DEPRESS CROSS BAR TURN KEY TOWARD LOCK SIDE OR ROTATE DOGGING PIN UNTIL IT RELEASES.

FUNCTIONAL CYLINDERS	DIM. A
ILCO	1/4(6.35)
LOCKWOOD	
YALE	
CORBIN	
SCHLAGE	
RUSSWIN	
WELCH	
KEIL	
SARGENT	

E 6.27.03 PICTORIAL SHOWING ROLLER-LESS "S" STRIKE SHOWN ECN1625		RM
D 16/11/98 R E D R A W N ECN1143		RM
DIMENSIONAL TOLERANCES UNLESS OTHERWISE SPECIFIED	APPROVALS	DATE
DECIMAL DIMENSIONS .XX ± .010	APPROVED	
DECIMAL DIMENSIONS .XXX ± .005	CHECKED	
ANGULAR ± X ° FRACTIONAL ± 1/64	DRAWN	RM 6/28/97
FILE NO.	MATERIAL	SCALE
NEXT ASSY. 1095-KITS	FINISH	NONE
QTY. USED 1	HEAT TREAT	
INSTALLATION GUIDE 1095 RIM PANIC DEVICE FOR OFFSET PIVOT x "S" STRIKE		SHEET 1 OF 1 SHEETS DWG. NO. REV.
		10-499 E

