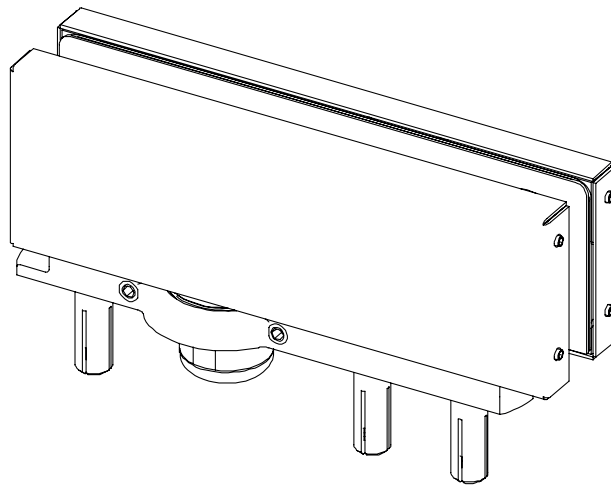


CRL PATCH FITTING HYDRAULIC DOOR HINGE

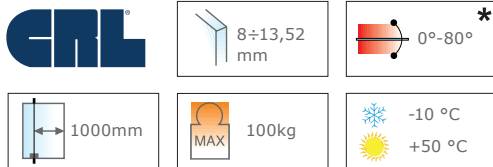


Instructions of assembly
and technical details

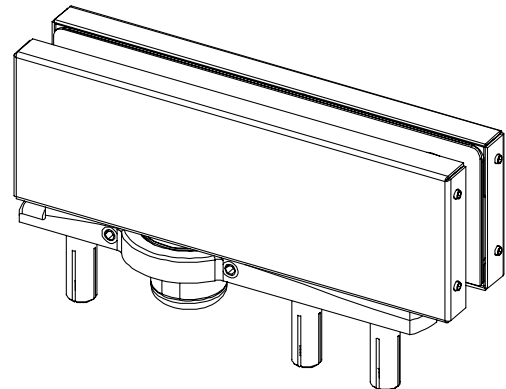
CRL Patch Fitting Hydraulic Door Hinge



CAUTION For installations in particular environments or climate (ex.wet, acid saline) consult sales office first



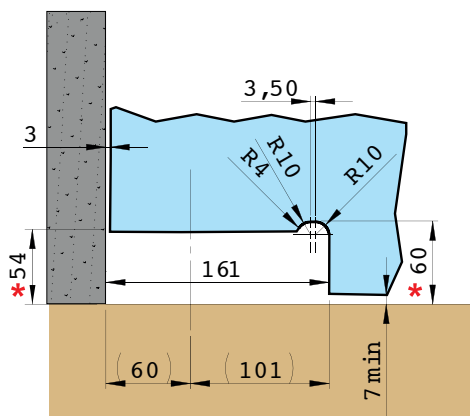
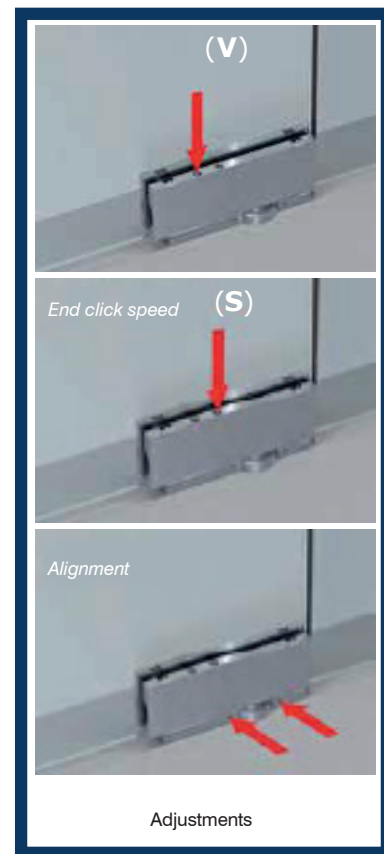
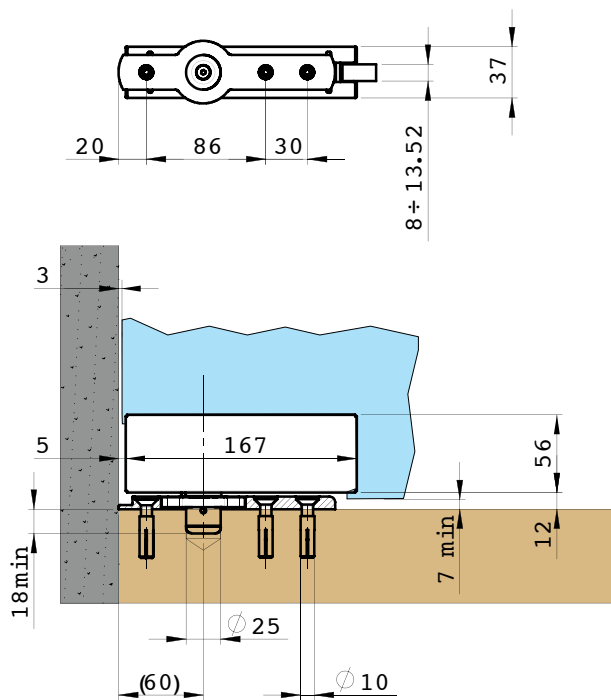
Hydraulic hinge, including brake and closing speed adjustment and the end click of the leaf. Combinable with all patch fittings of the Maxima series. Useful also for pivoting applications, Stop at 0° +90° -90°.



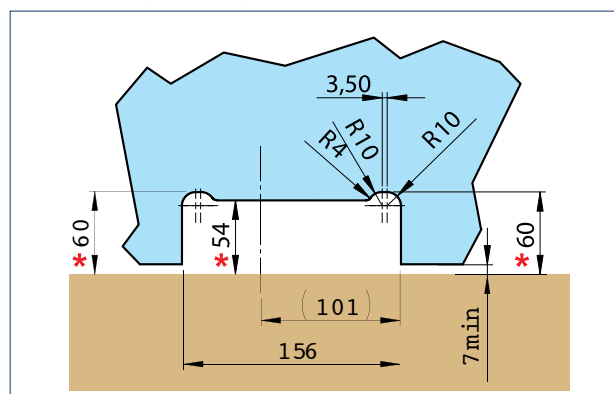
* The closing automatism starts to function within 70° and 80°. The closing is soft for the first 20° and adjustable with control starting from 60° till completed closing.

Classification according to the law

EN 1154:2006	4	8	3/5	0	1	4
--------------	---	---	-----	---	---	---



Glass processing for pivoting applications



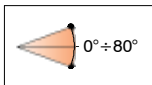
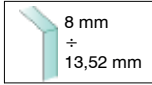
* DISTANCE FROM THE FLOOR

CRL Patch Fitting Hydraulic Door Hinge

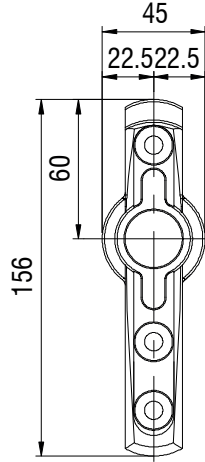
Installation and adjustment instructions



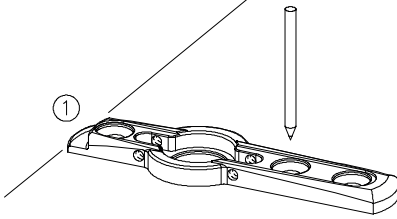
TECHNICAL SPECIFICATIONS



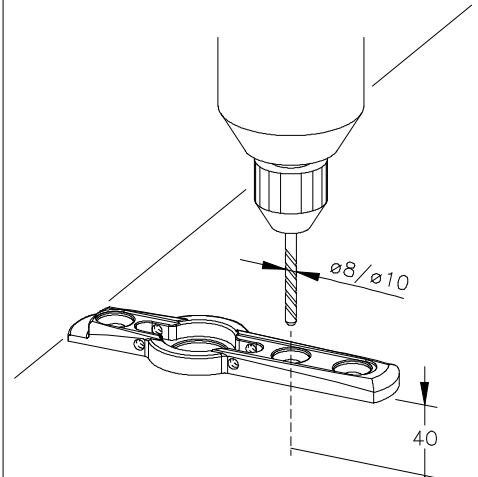
BASE PLATE



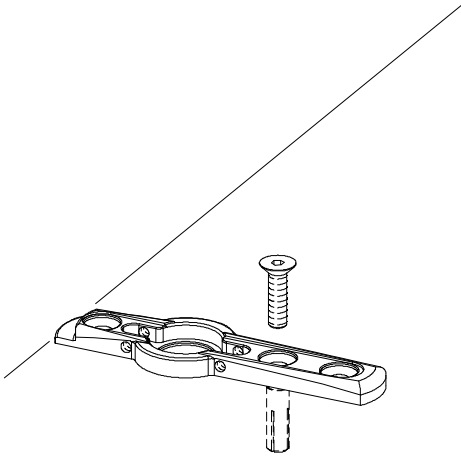
For standard applications place the plate to the wall (1)



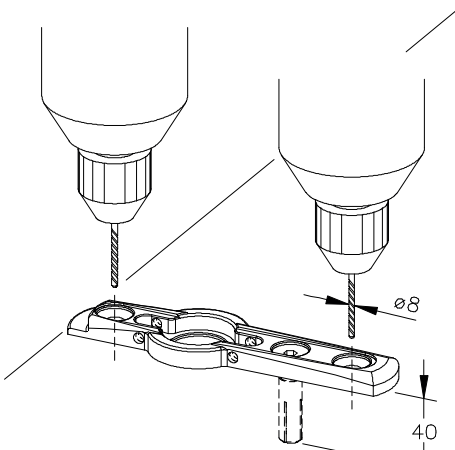
Place the base plate and mark the location of the hole shown in figure



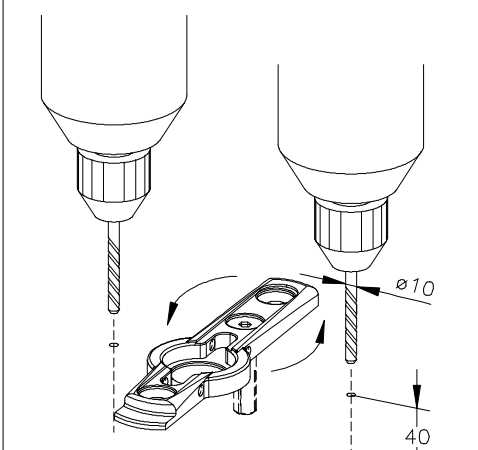
Drill using a Ø 8mm bit to a 40mm depth
Then drill the hole using Ø 10mm bit on 40mm depth.



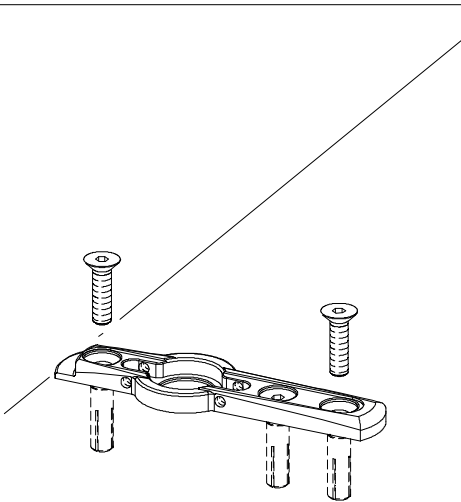
Insert the wall anchors and tighten all the screws without blocking the plate



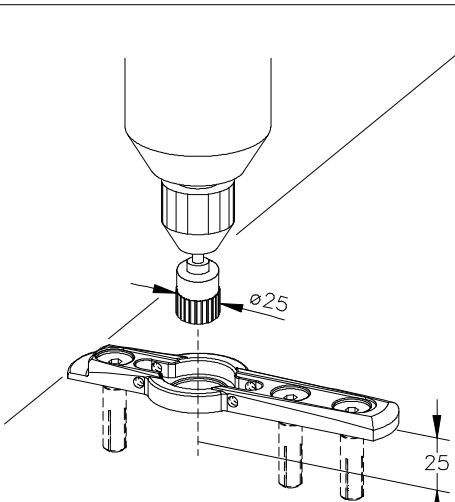
Align the plate and drill using a Ø 8mm bit to a 40mm depth



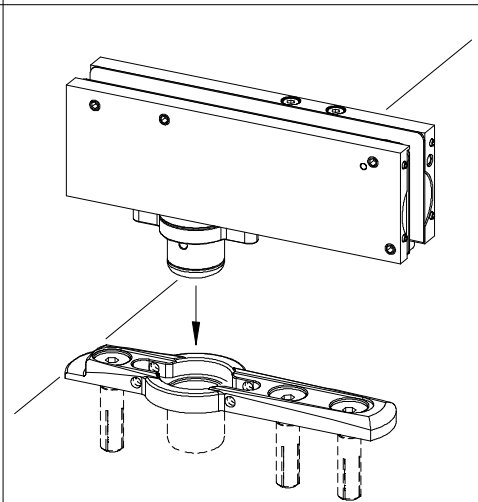
Turn the plate in order to drill the hole using a Ø 10mm bit to a 40mm depth



Insert the wall anchors and tighten all the screws so as to block the plate



Make a hole using a Ø 25mm corer at a depth of 25mm



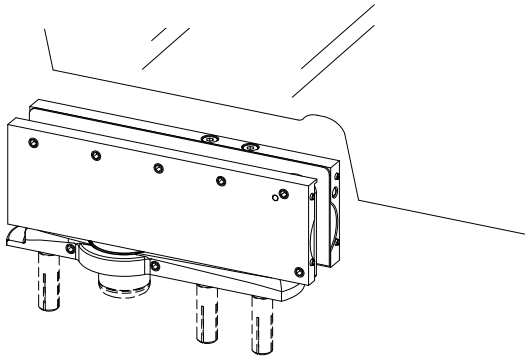
Insert the hinge

CRL Patch Fitting Hydraulic Door Hinge

Installation and adjustment instructions

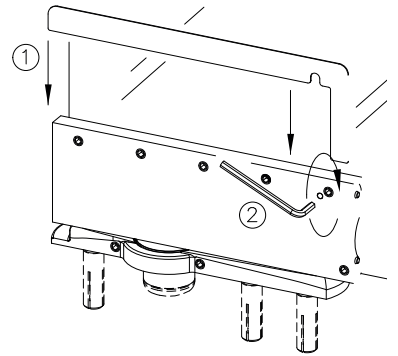


Enter the door, possibly sloping for easier insertion.
Then place the notch in the hinge seat.

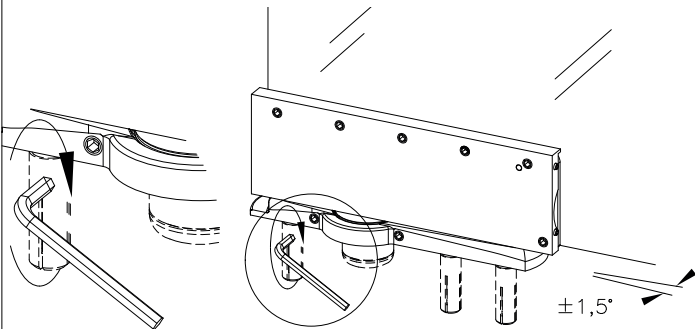


Use the gasket supplied to compensate for different thicknesses of glass (1) and tighten the 4 screws with (Ch3) key (2). See table.

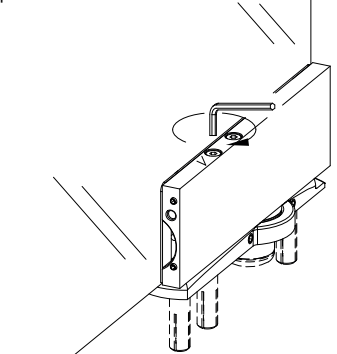
For Glass
SIDE OF GLASS BLOCKING PLATE
1 gasket 0,5mm
BODY'S SIDE
1 shaped gasket
For Glass
SIDE OF GLASS BLOCKING PLATE
1 gasket 0,5mm + 1 gasket 1mm
BODY'S SIDE
1 shaped gasket + 1 gasket 1mm
For Glass
SIDE OF GLASS BLOCKING PLATE
1 gasket 0,5mm
BODY'S SIDE
1 shaped gasket + 2 gasket 1mm



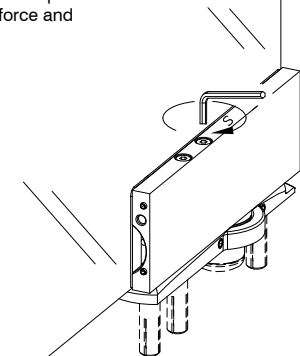
Act on the four lower grains to adjust the alignment of the door (± 30 mm with a 1000mm reach). Once aligned block the screws



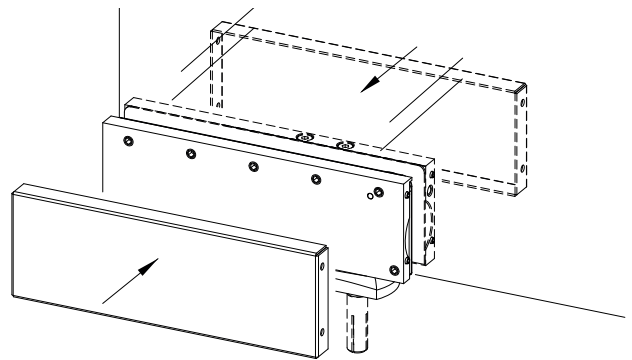
Adjust the closing speed with (Ch3) key acting on the nozzle denoted by the letter "V" with the door open to 45 degrees. Turn clockwise to reduce speed and counterclockwise to increase it.



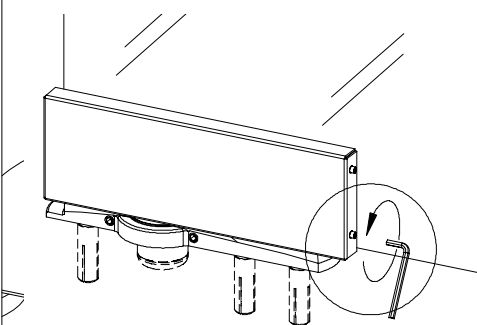
Adjust the final click strength with (Ch3) key acting on the nozzle denoted by the letter "S" with the door open to 45 degrees. Turn clockwise to decrease the force and counter-clockwise to increase it.



Slide the cover on the hinge body.



Secure the covers by unscrewing the eight screws on the body.



Cover with screw-cover plates.

