

## ASSEMBLY INSTRUCTIONS FOR: CRL 2812 | CRL 2812 F | CRL 2812 G

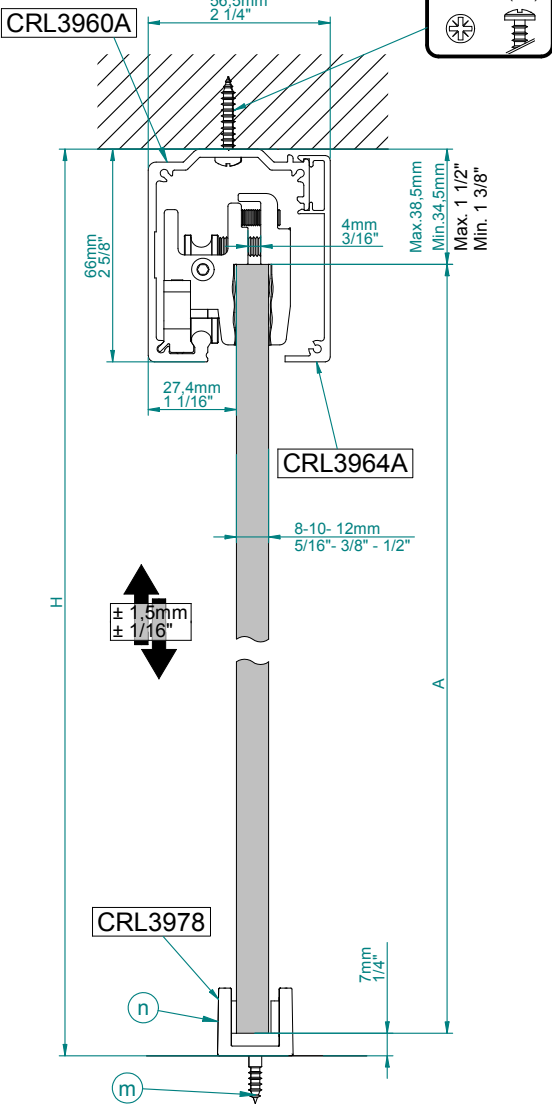


Content of the set  
Contenido del juego  
Contenu de l'ensemble

<b>(p)</b>	NOT NECESSARY WHEN MOUNTING 2 x CRL285SBK CRL3961		1
<b>(s)</b>			1
<b>(r)</b>			1
<b>(n)</b>			1
<b>(m)</b>			2

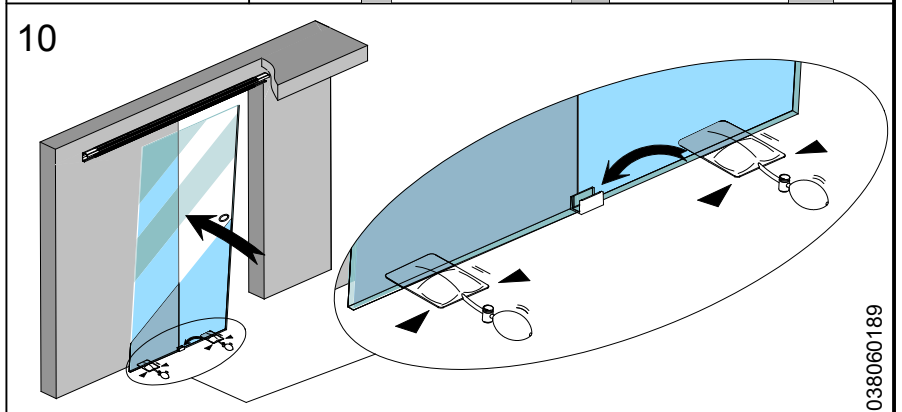
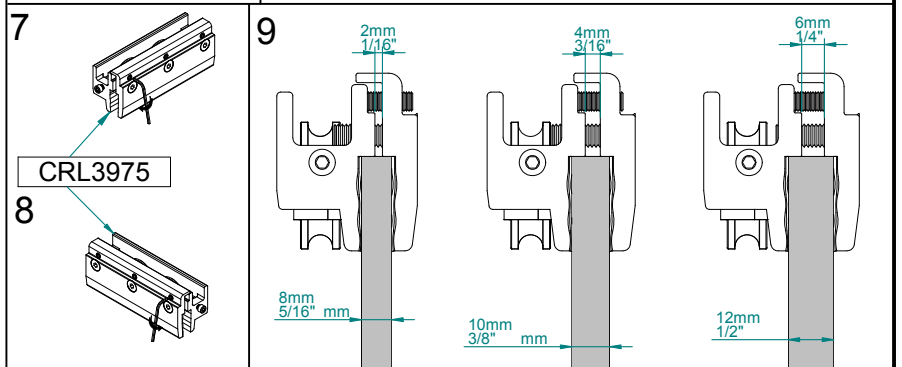
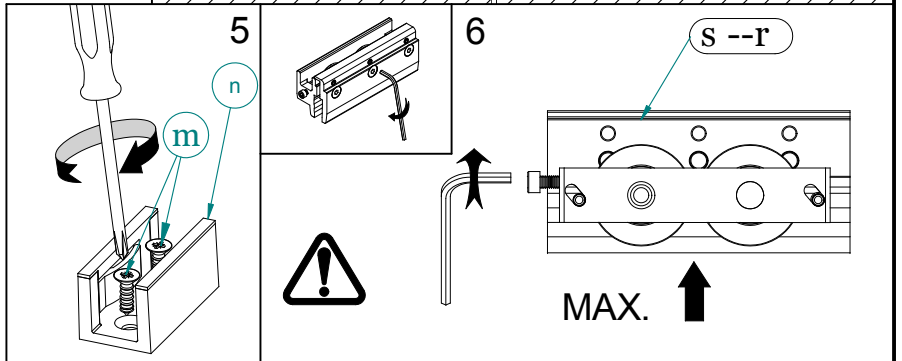
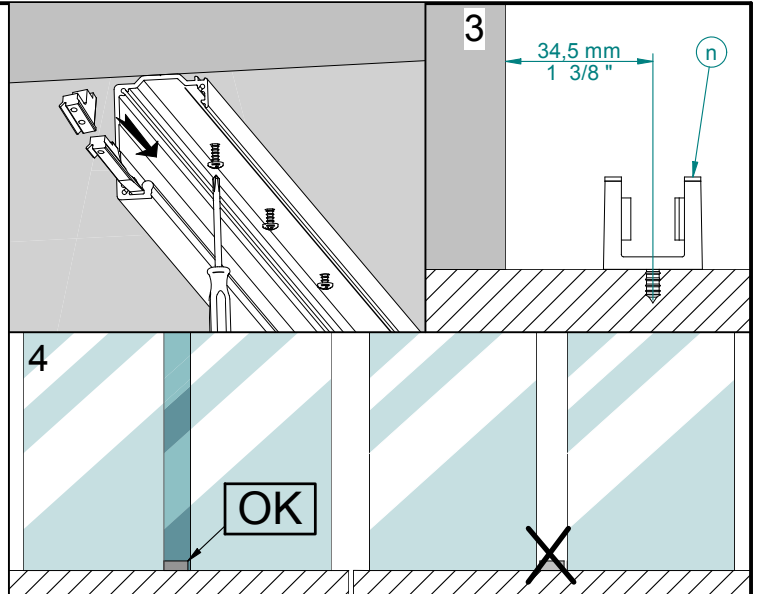
### CRL2812

Ceiling mount



$A = H - 43\text{mm}$

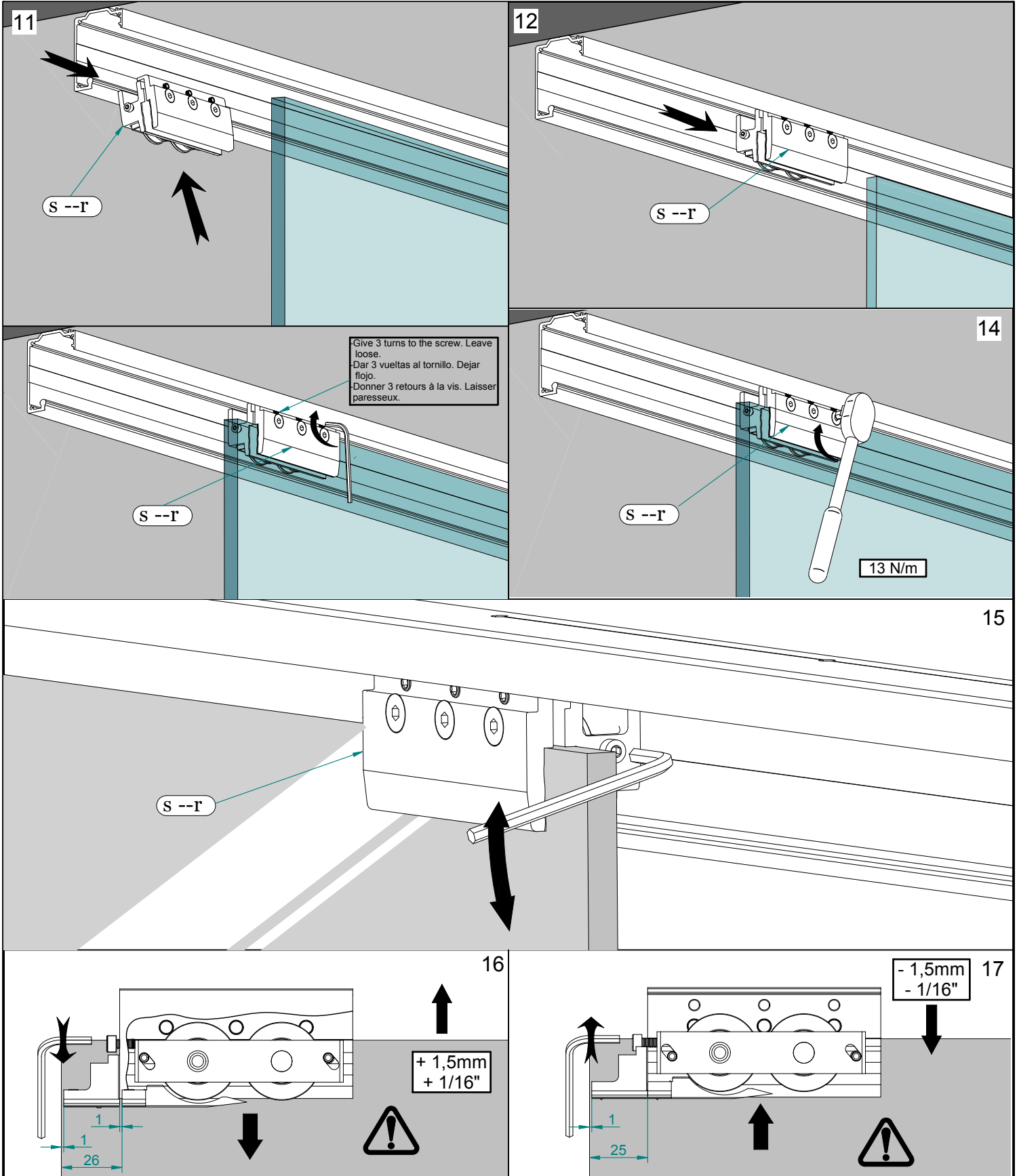
$A = H - 1\ 11/16''$



038060189

AVDB0000\_10/14

ASSEMBLY INSTRUCTIONS FOR:  
**CRL 2812 | CRL 2812 F | CRL 2812 G**



AVDB0000\_10/14

ASSEMBLY INSTRUCTIONS FOR:  
**CRL 2812 | CRL 2812 F | CRL 2812 G**



18



25mm  
1"

19

20

21

22

23

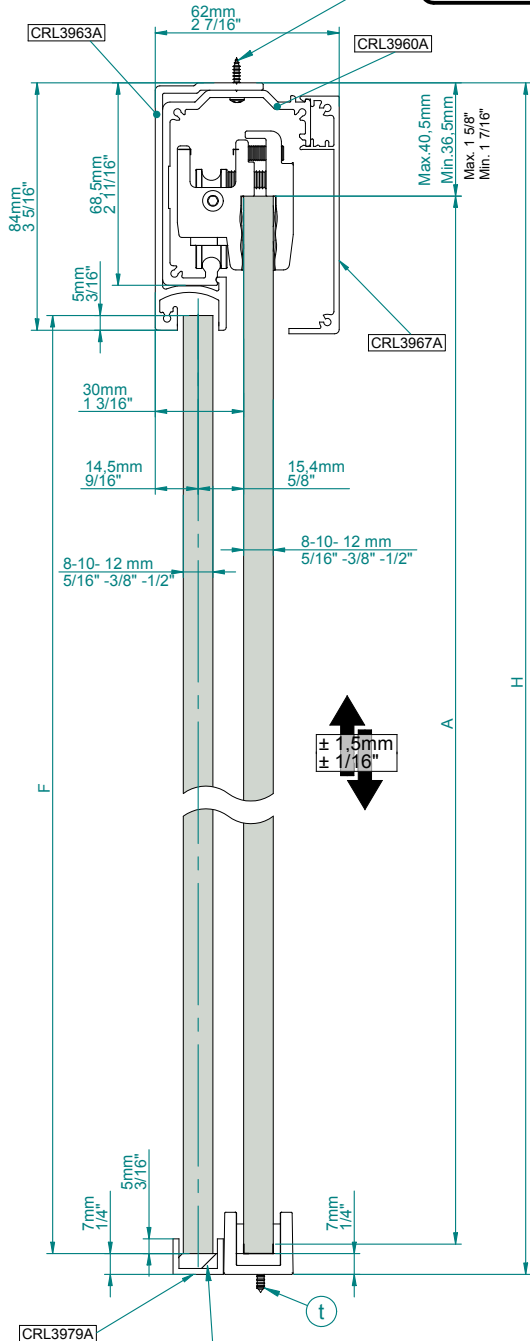
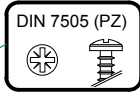
CRL3974

AVDB0000\_10/14

ASSEMBLY INSTRUCTIONS FOR:  
**CRL 2812 | CRL 2812 F | CRL 2812 G**



**CRL2812F**  
 Ceiling mount



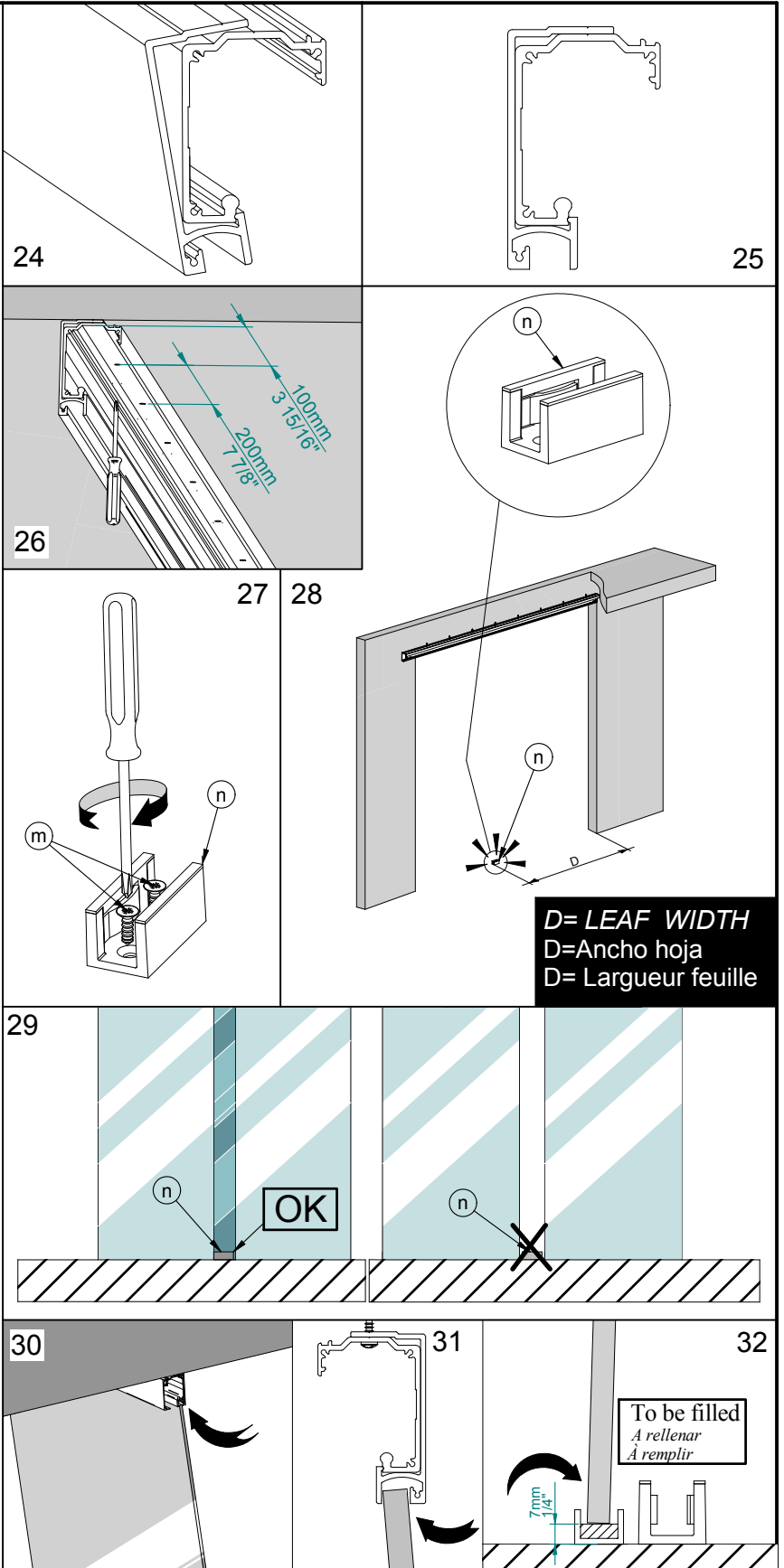
To be filled  
 A rellenar  
 À remplir

$A = H - 45\text{mm}$

$F = H - 86\text{mm}$

$A = H - 1\ 12/16''$

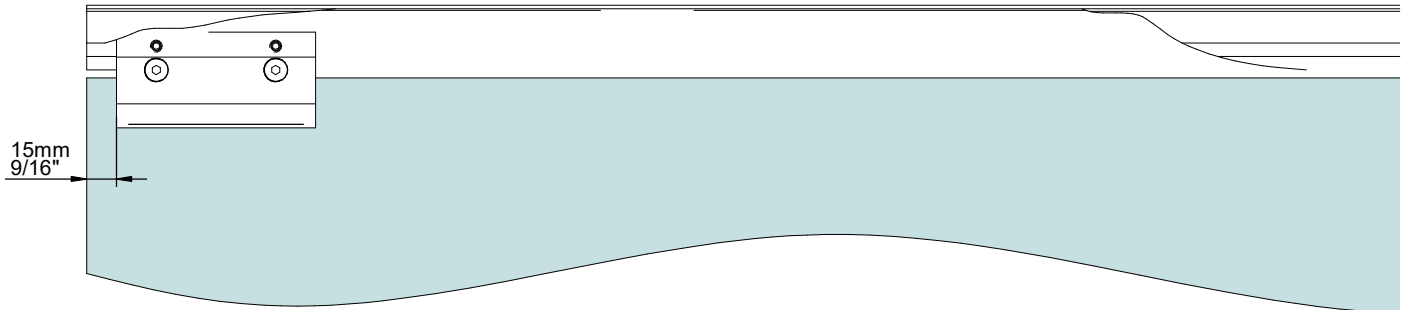
$F = H - 3\ 3/8''$



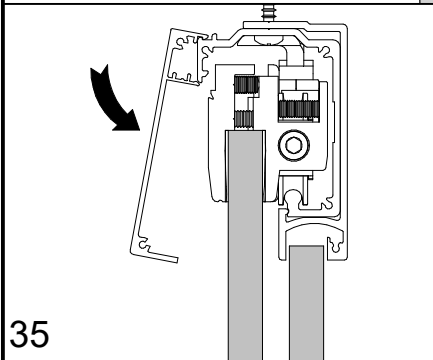
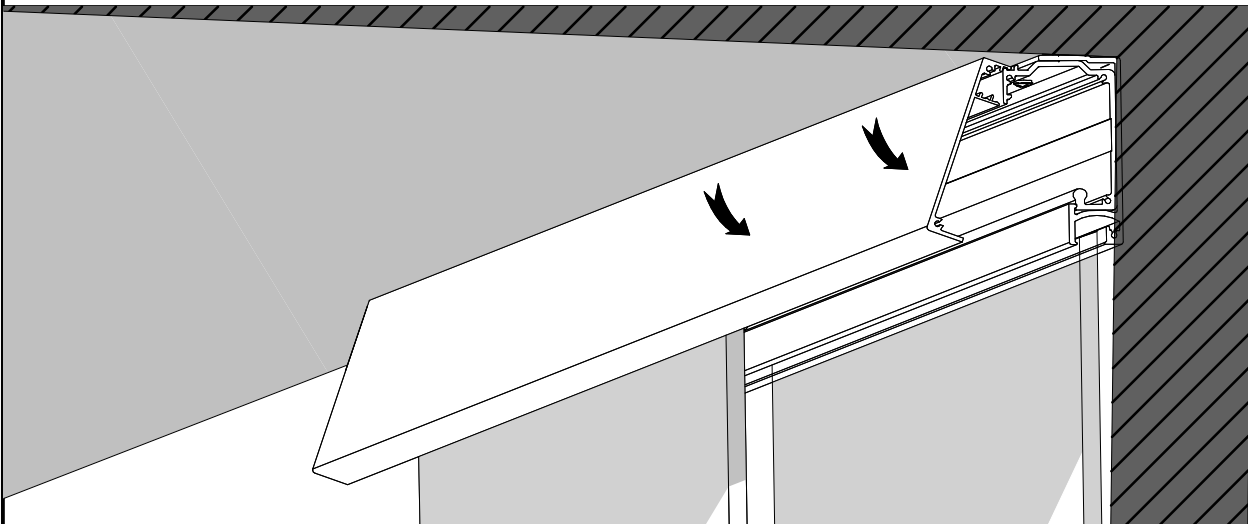
ASSEMBLY INSTRUCTIONS FOR:  
**CRL 2812 | CRL 2812 F | CRL 2812 G**



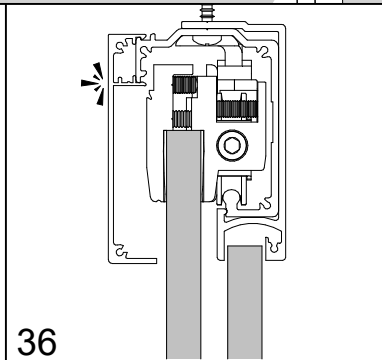
33



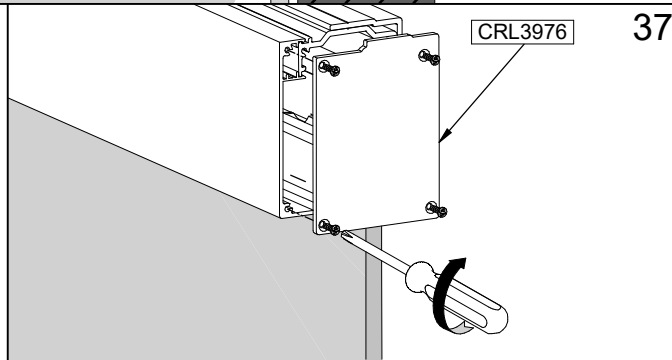
34



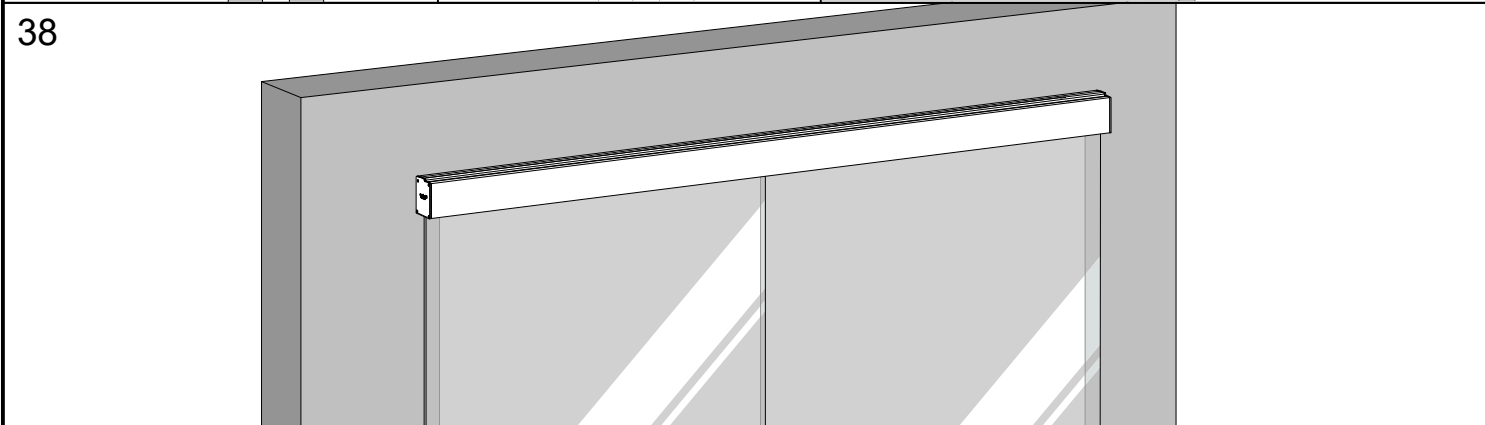
35



36



37



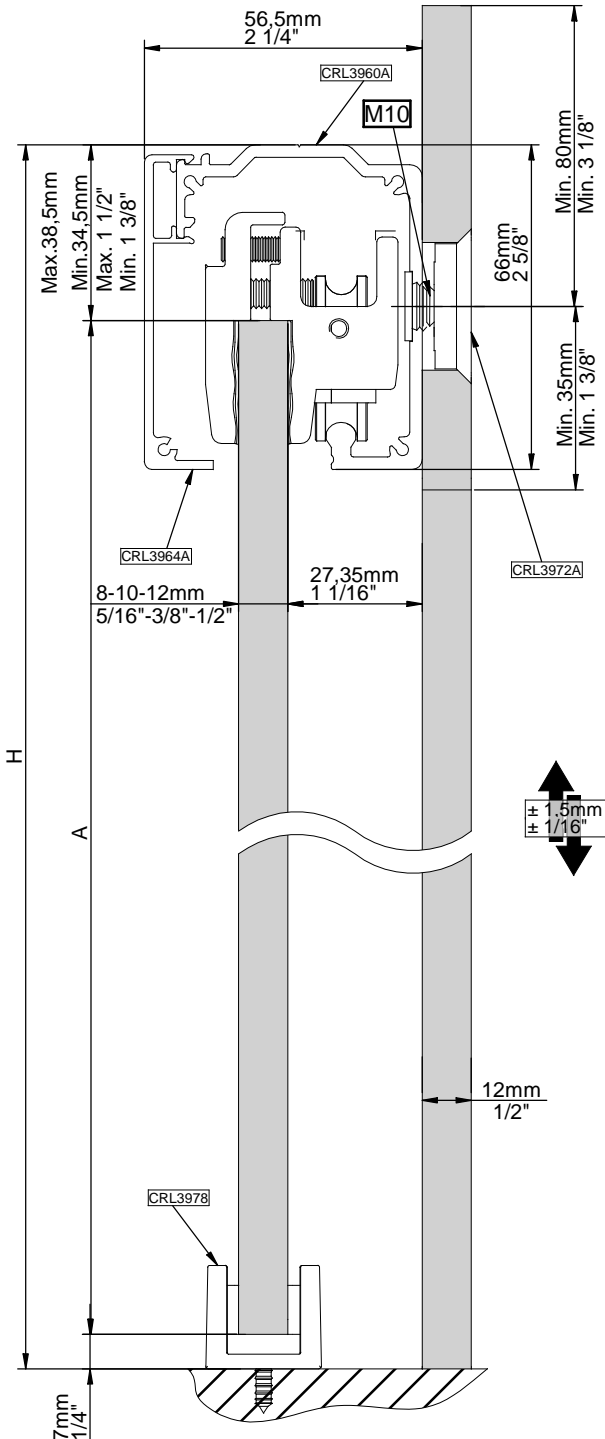
38

ASSEMBLY INSTRUCTIONS FOR:  
**CRL 2812 | CRL 2812 F | CRL 2812 G**



**CRL2812G**

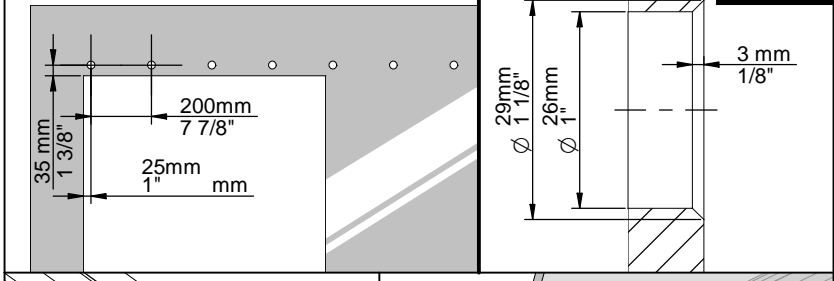
Glass mount



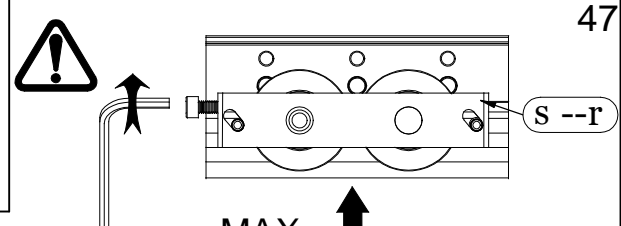
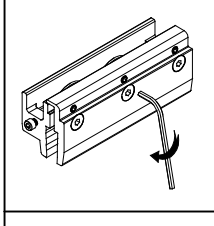
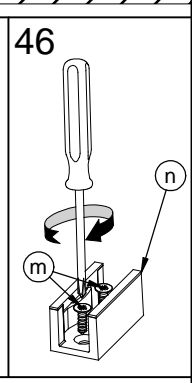
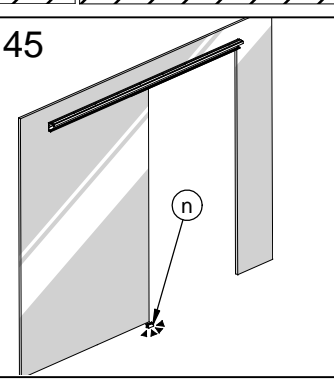
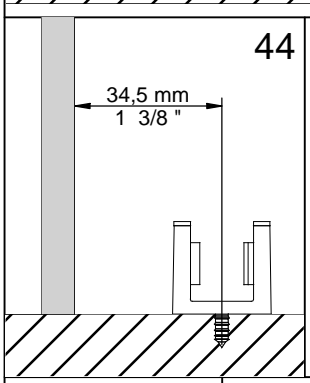
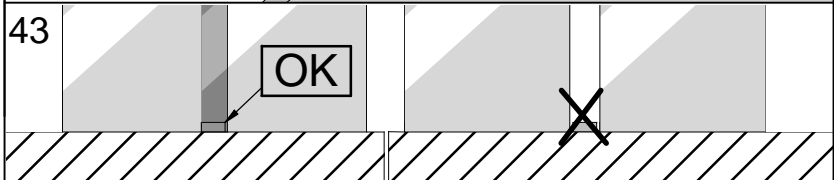
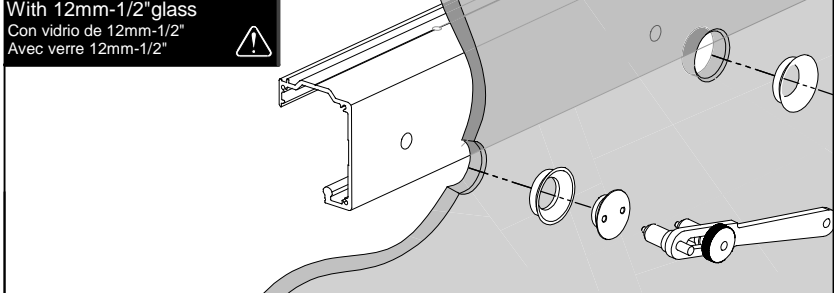
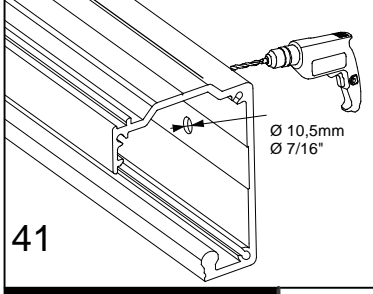
$A = H - 43\text{mm}$

$A = H - 1 \frac{11}{16}''$

39 40



GLASS PREPARATION



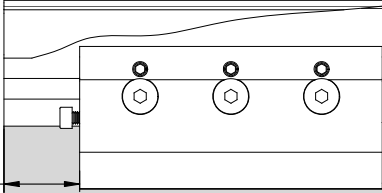
ASSEMBLY INSTRUCTIONS FOR:  
**CRL 2812 | CRL 2812 F | CRL 2812 G**



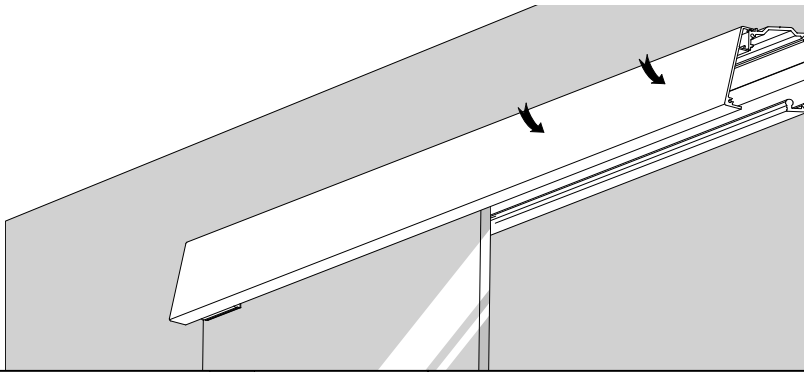
48



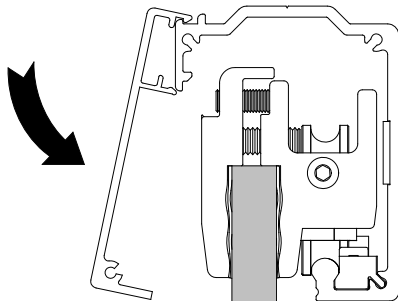
25mm  
1"



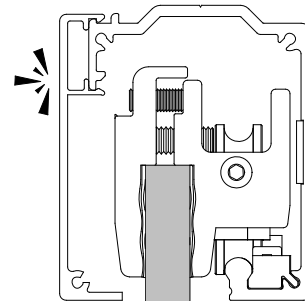
49



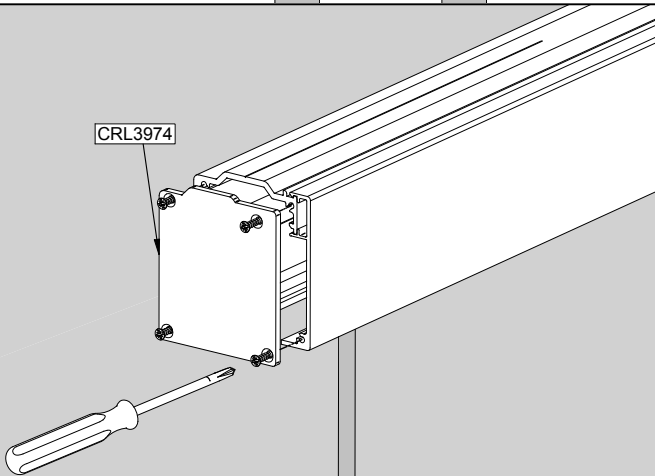
50



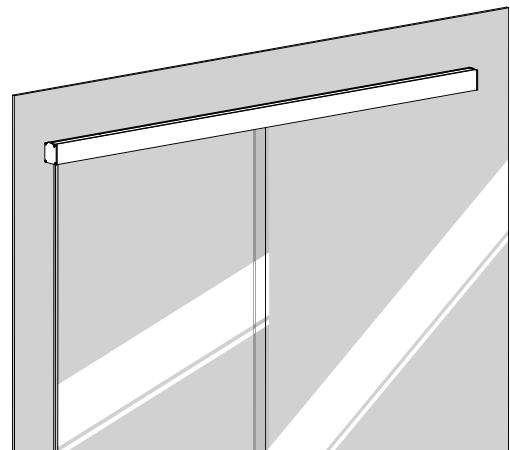
51



52



53

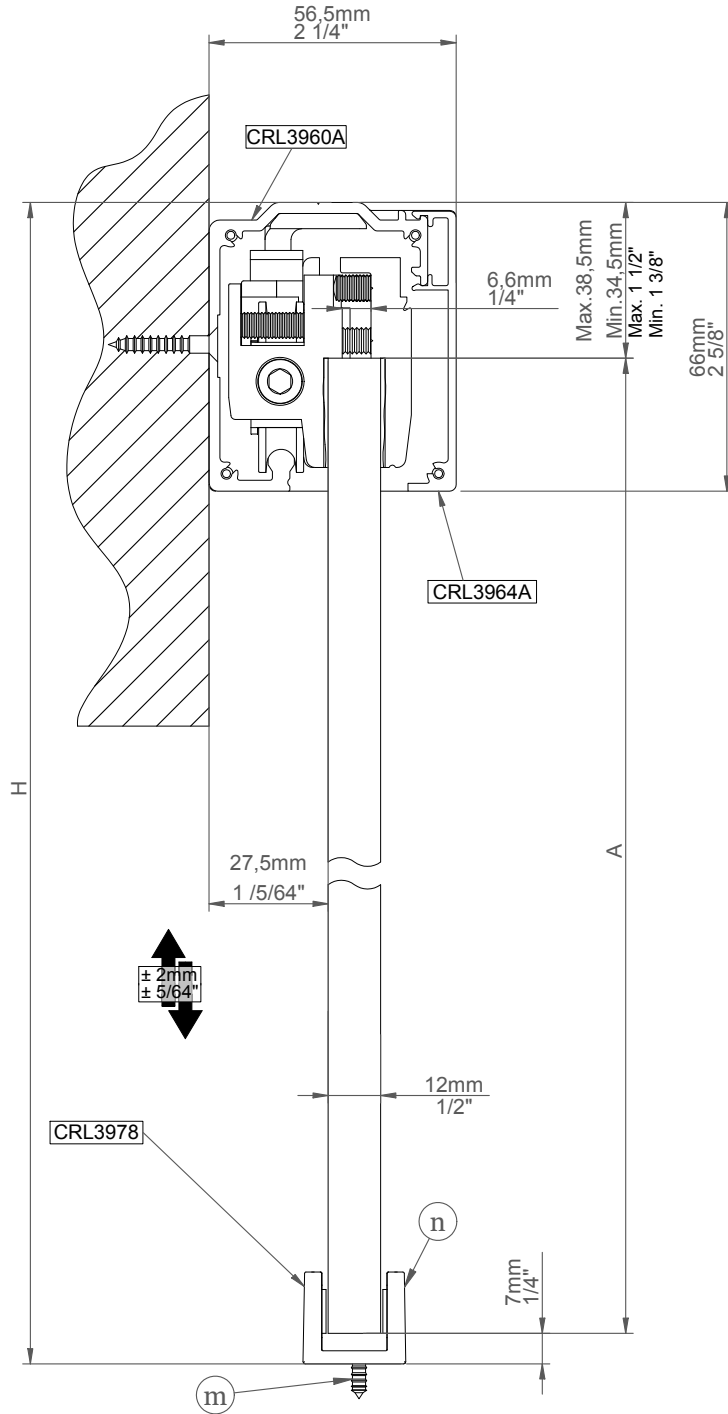


ASSEMBLY INSTRUCTIONS FOR:  
**CRL 2812 | CRL 2812 F | CRL 2812 G**



**CRL 2812**

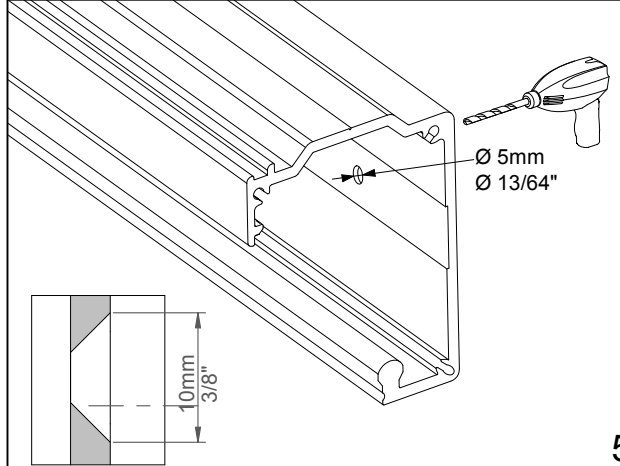
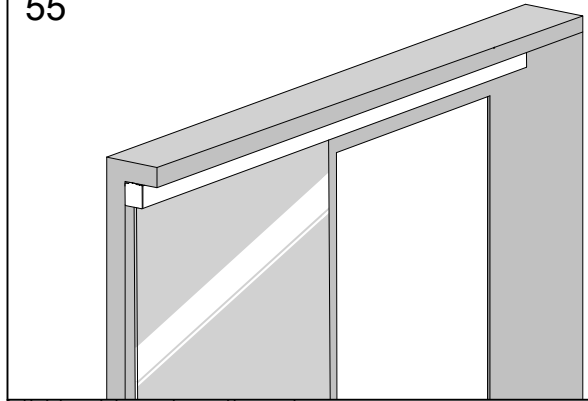
Wall mount



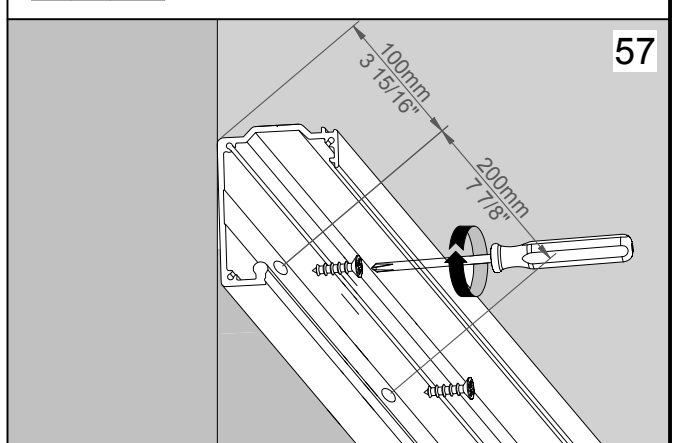
$A = H - 43\text{mm}$

$A = H - 1 \frac{11}{16}\text{''}$

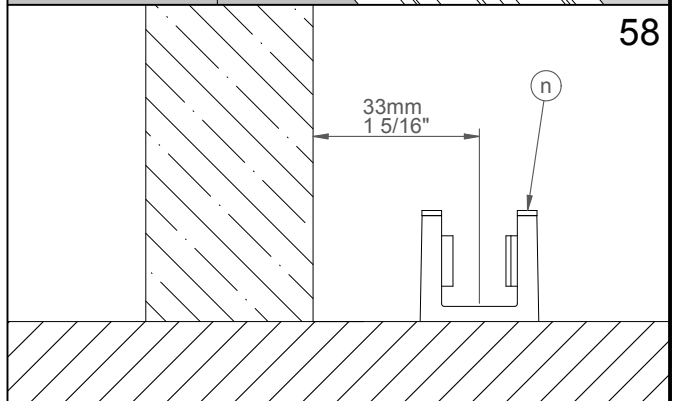
55



56



57



58

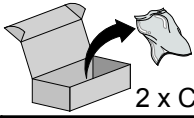
AVDB0000\_10/14



## ASSEMBLY INSTRUCTIONS FOR: CRL 2812 | CRL 2812 F | CRL 2812 G



SOFTBRAKE  
OPTIONAL, NOT  
INCLUDED IN KIT



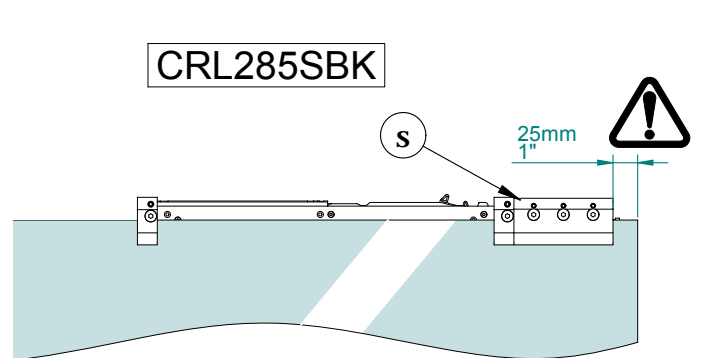
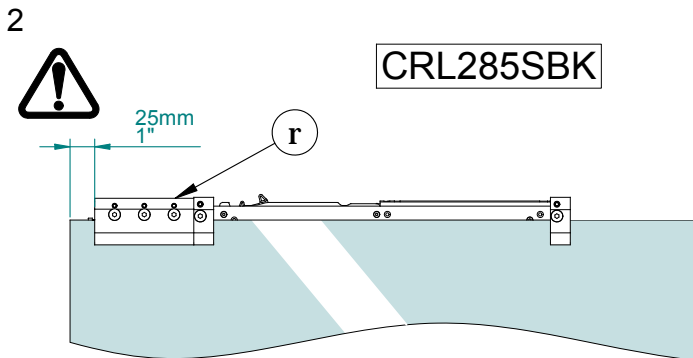
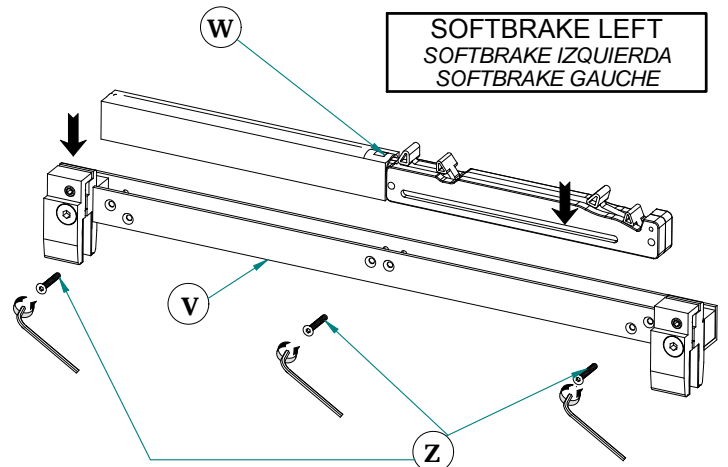
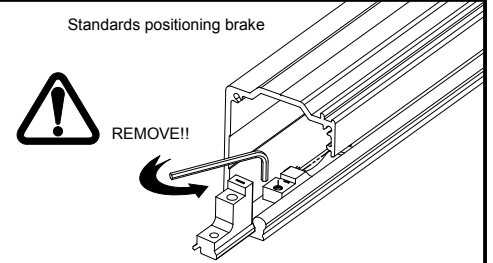
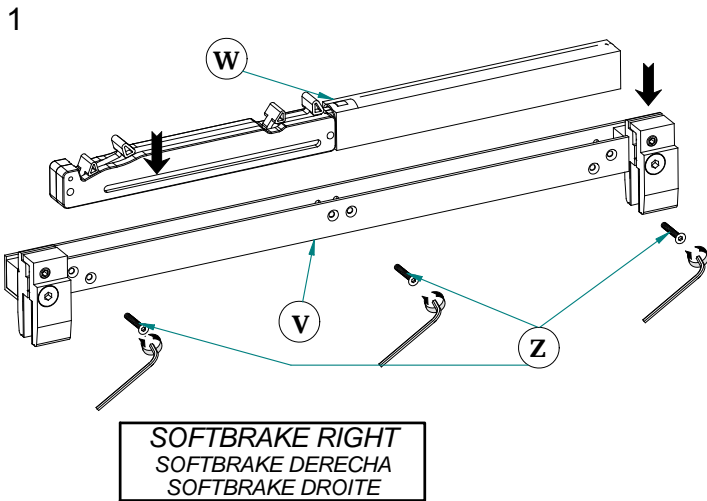
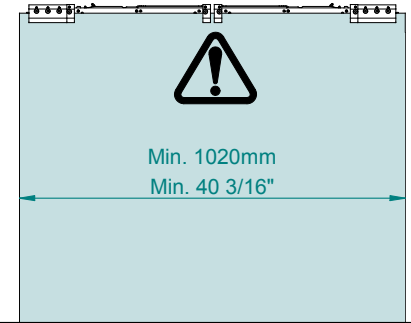
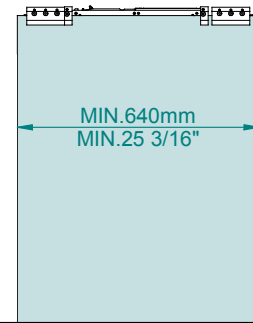
2 x CRL285SBK

(z)		Din7991 M3x20	3
(t)		Din7982 4,2x9,5	3
(y)			1

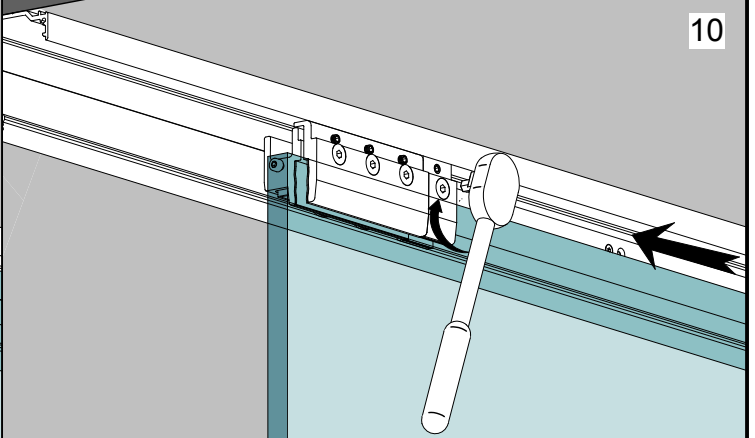
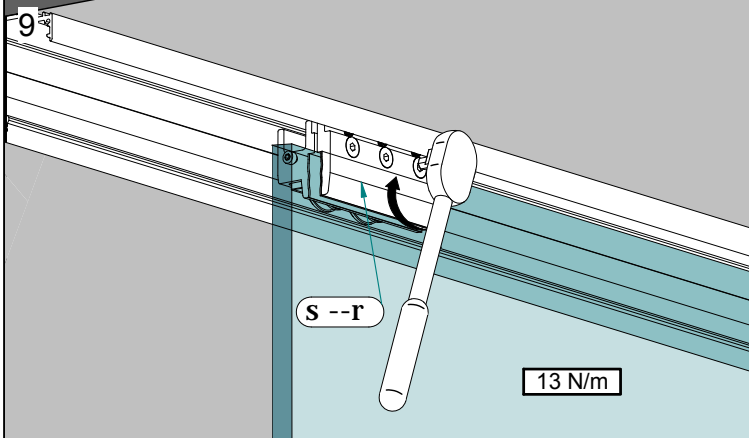
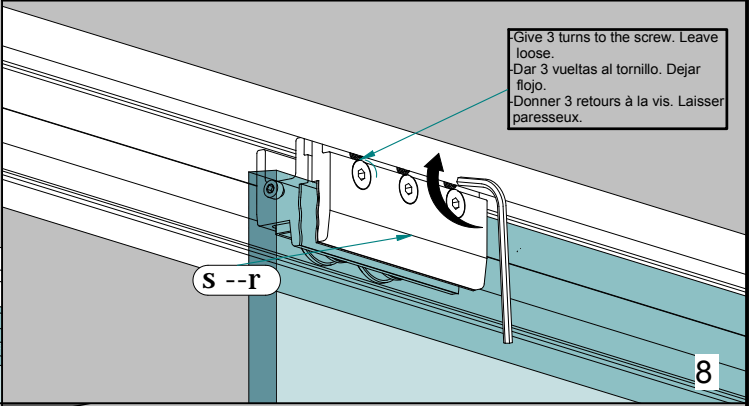
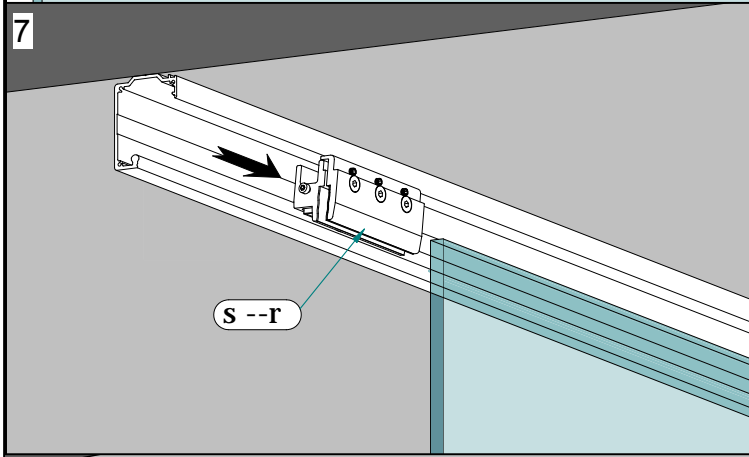
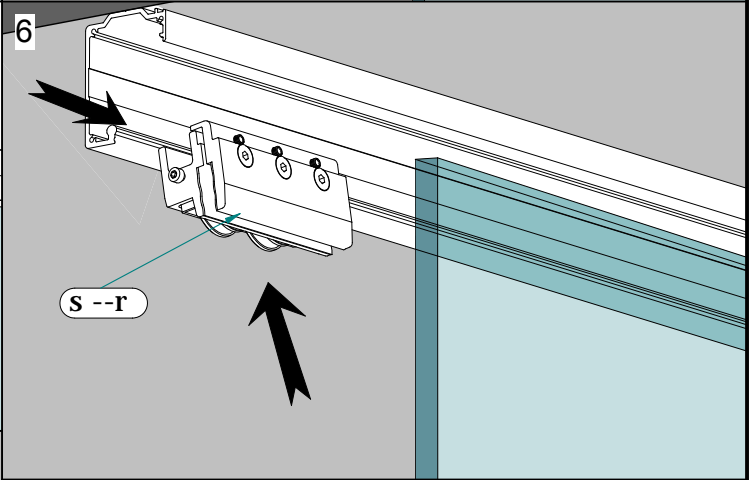
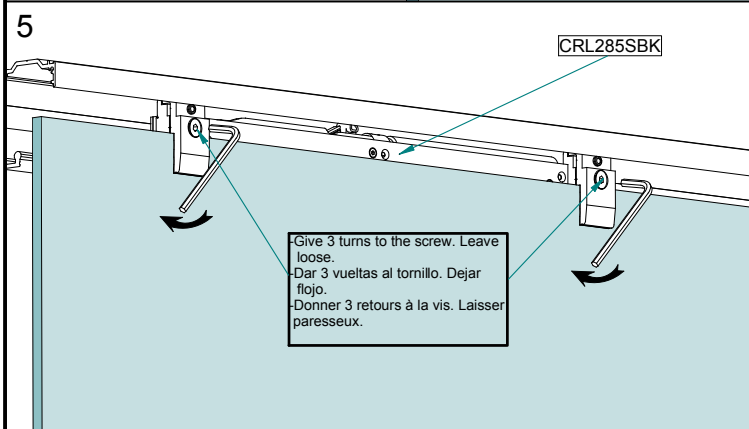
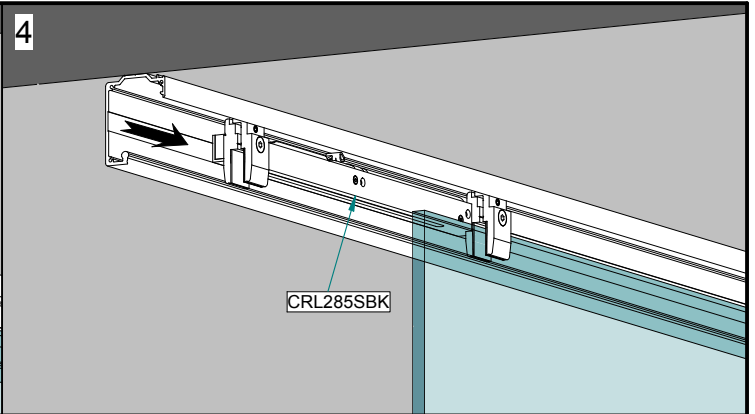
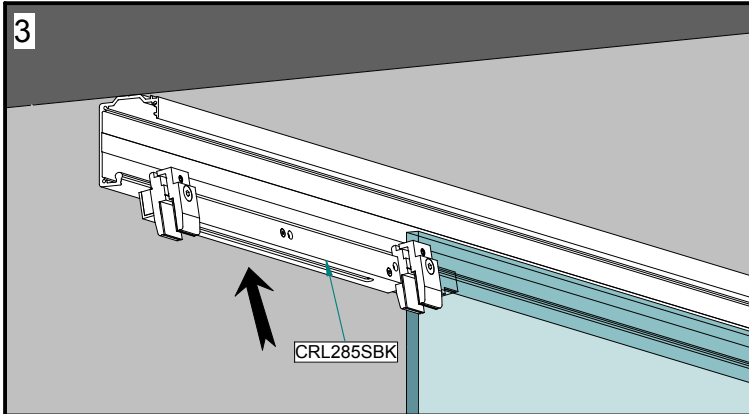
(w)			1
(v)			1
(v1)		Din7991 M6x22 Din913 M6x12	2
(v2)		Din7991 M6x18 Din913 M6x10	2

Simple Softbrake  
Softbrake Simple  
Simple Softbrake

Double Softbrake  
Softbrake Doble  
Double Softbrake



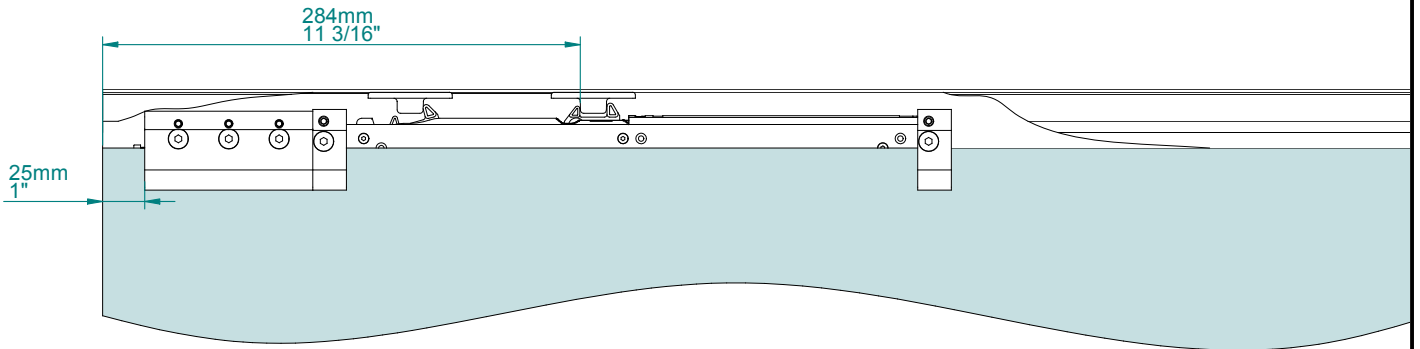
## ASSEMBLY INSTRUCTIONS FOR: CRL 2812 | CRL 2812 F | CRL 2812 G



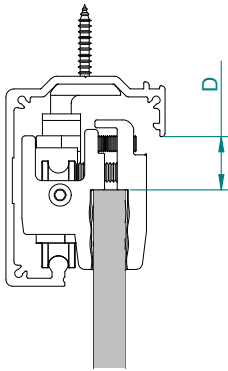
## ASSEMBLY INSTRUCTIONS FOR: CRL 2812 | CRL 2812 F | CRL 2812 G



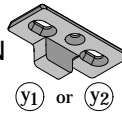
11

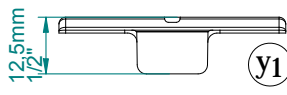
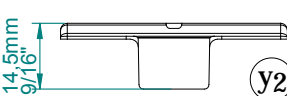


12

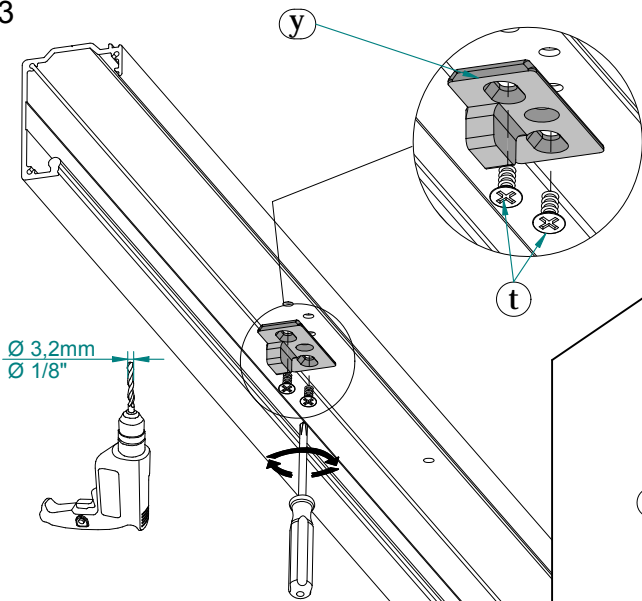


TRIGGER SELECTION



$D = (15, \dots, 17\text{mm})$ $D = (9/16", \dots, 11/16")$	 <b>y1</b>
$D = (17, \dots, 19\text{mm})$ $D = (11/16", \dots, 3/4")$	 <b>y2</b>

13



14

