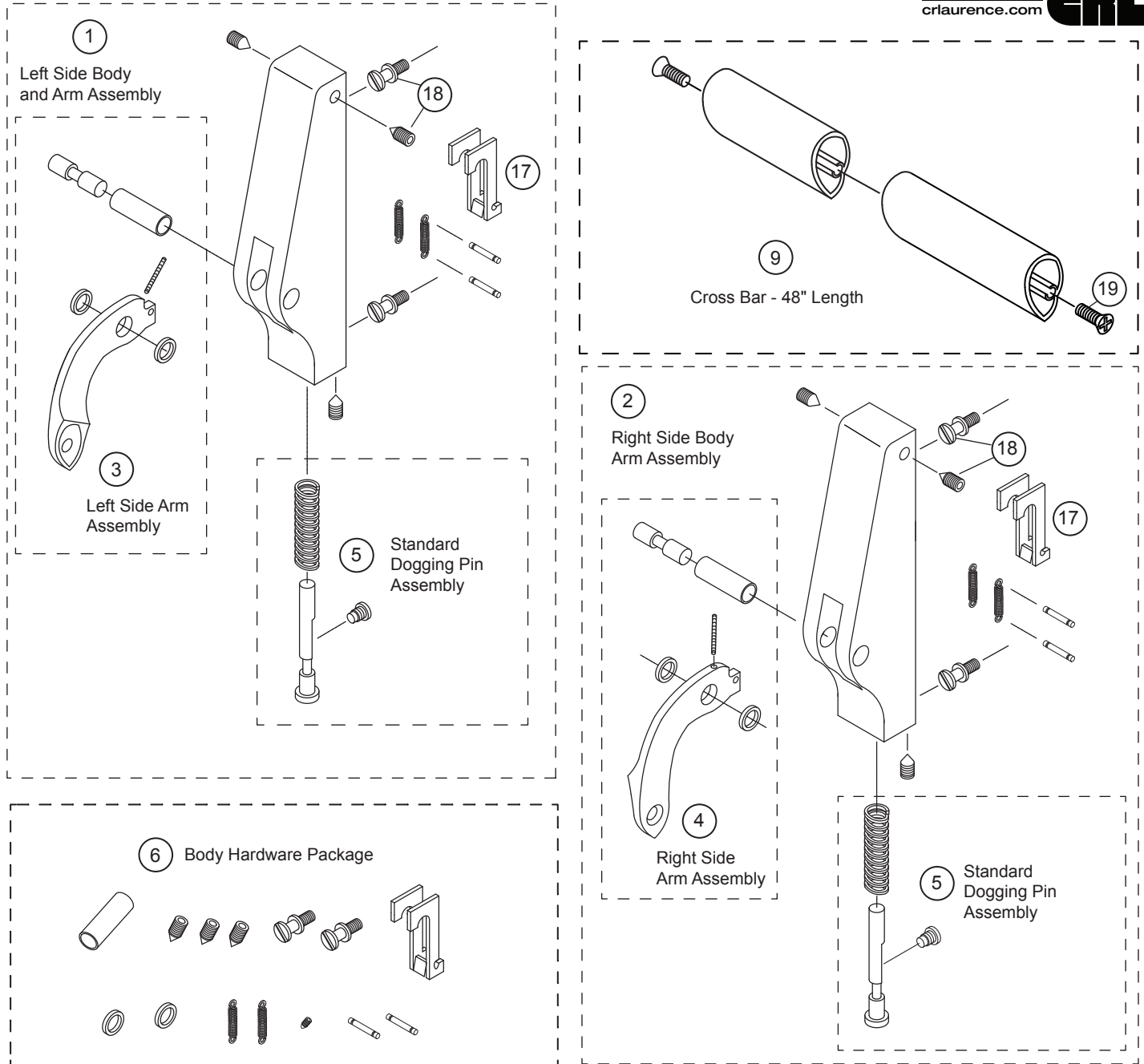
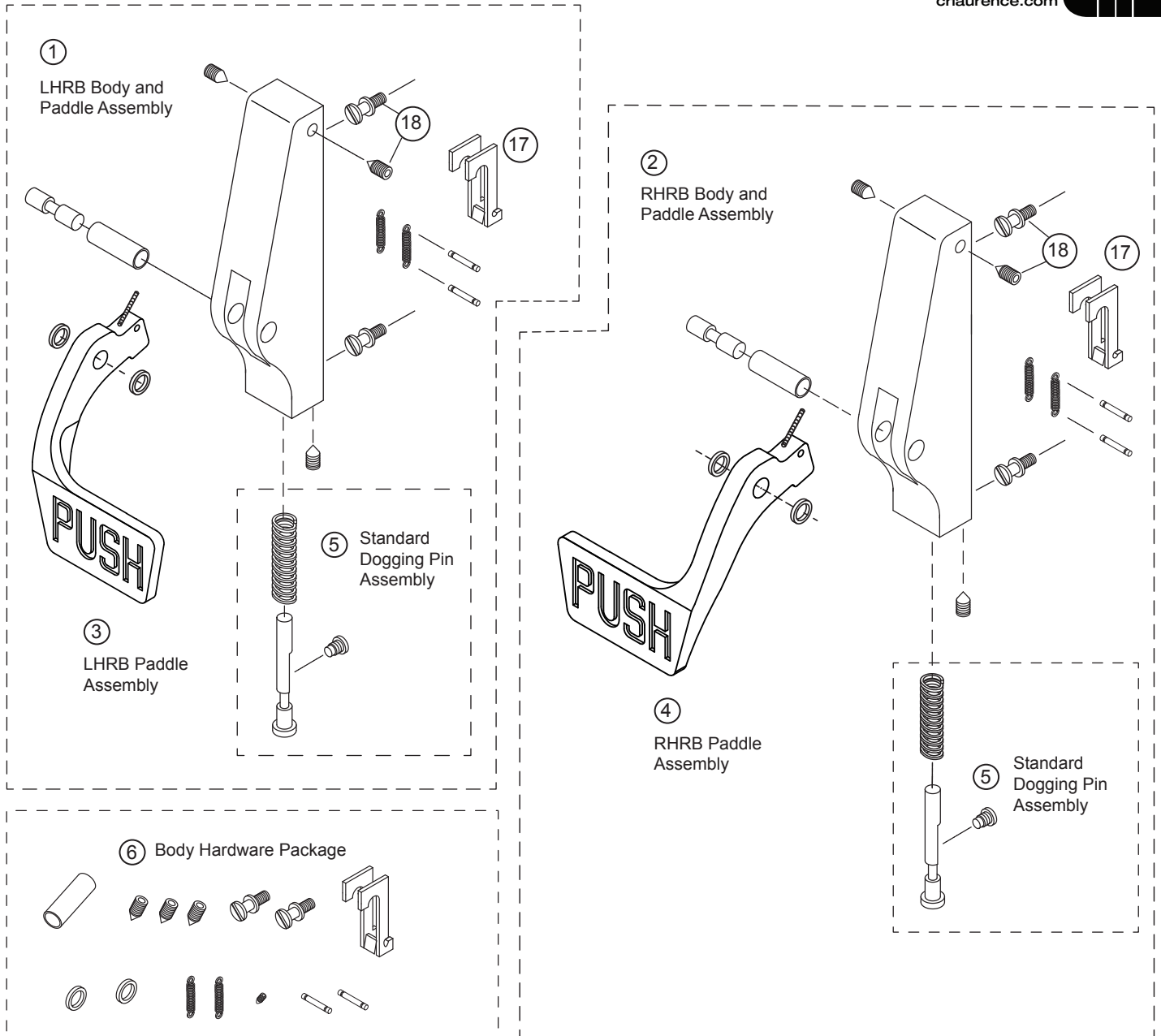


COMPONENT PARTS



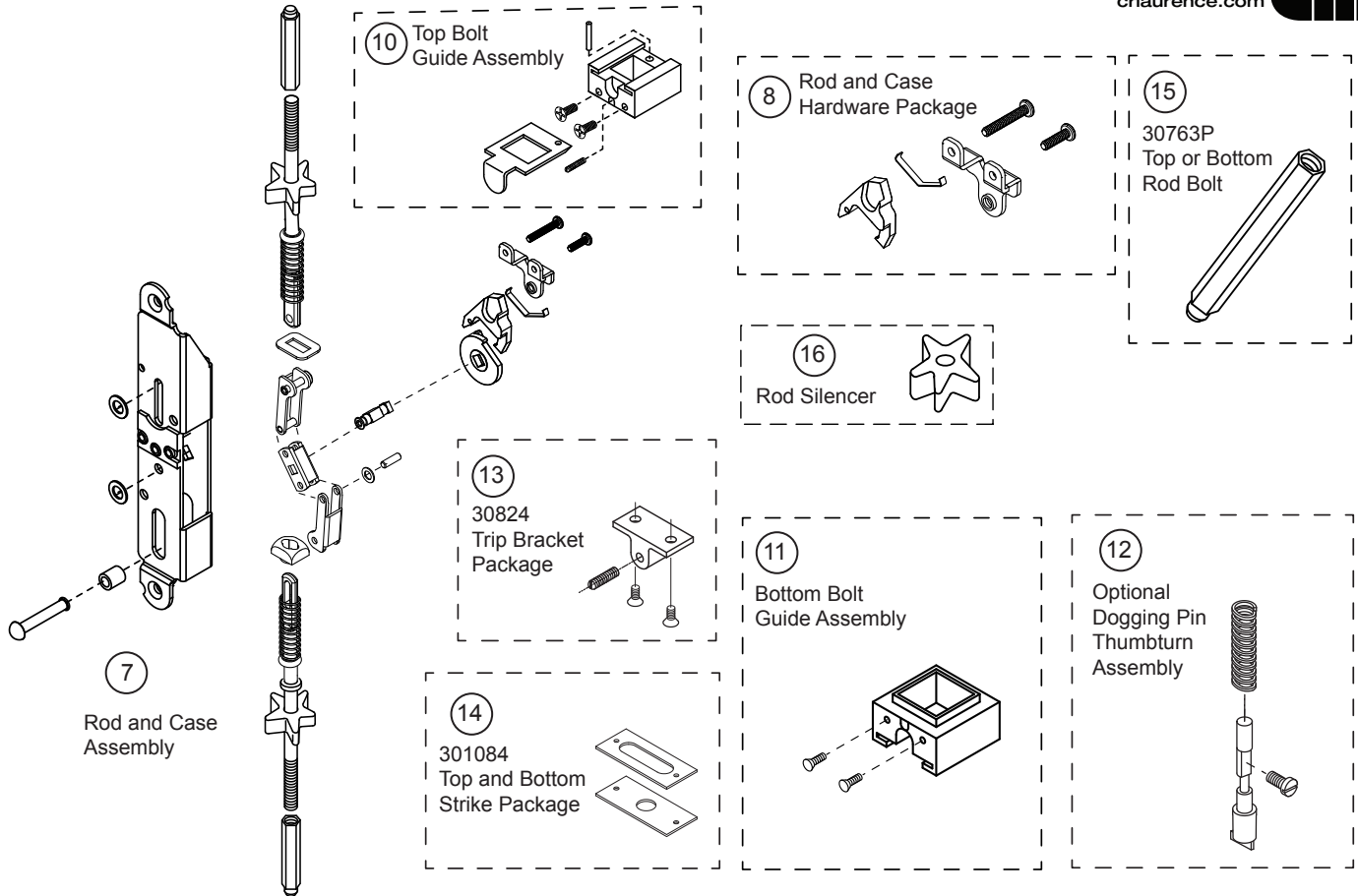
Assy.	Part No.	Description	Specify Finish No.
1	30983	Left Side Body and Arm Assembly	US28/628, DBZ/313, BLK/335
2	30982	Right Side Body and Arm Assembly	US28/628, DBZ/313, BLK/335
3	301242	Left Side Arm Assembly	US28/628, DBZ/313, BLK/335
4	301243	Right Side Arm Assembly	US28/628, DBZ/313, BLK/335
5	301115	Standard Dogging Pin Assembly	
6	301409	Body Hardware Package	

COMPONENT PARTS



Assembly No.	Part No.	Description	Specify Finish No.
1	30985	LHRB Body and Paddle Assembly	(US28/628), (DBZ/313), (BLK/335)
2	30984	RHRB Body and Paddle Assembly	(US28/628), (DBZ/313), (BLK/335)
3	301259	LHRB Paddle Assembly	(US28/628), (DBZ/313), (BLK/335)
4	301258	RHRB Paddle Assembly	(US28/628), (DBZ/313), (BLK/335)
5	301115	Standard Dogging Pin Assembly	
6	301409	Body Hardware Package	

COMPONENT PARTS



Assembly No.	Part No.	Description	Specify Finish No.
7	30915J	Rod and Case Assembly - 7/0	
8	30916/ 30865	Rod and Case Hardware Pkg. - 1085 Rod and Case Hardware Pkg. - Vistawall (1085V)	
9	30733PKG	Crossbar Assembly - 48" Length	
10	30934	Top Bolt Guide Assembly	(US28/628), (DBZ/313), (BLK/335)
11	30320	Bottom Bolt Guide Assembly	(US28/628), (DBZ - BLK 624)
12	301117	Optional Dogging Pin Thumbturn Assembly	(US28/628), (DBZ/313), (BLK/335)
13	30824	Trip Bracket Package	(US28/628), (DBZ/313), (BLK/335)
14	301084	Strike Package - Top and Bottom	(US28/628), (DBZ - BLK 624)
15	30763P	Top or Bottom Rod Bolt	(US28/628), (DBZ - BLK 624)
16	301552PKG	Rod Silencers (12 pkg.)	
17	30799PKG	Actuator Link Package (12 Pkg.)	
18	30SBPKG	Mounting Shoulder Bolt and Set Screw Pkg. (12 ea.)	
19	30744PKG	Crossbar Mounting screw package (12 Pkg.)	US28/628, DBZ/624
Not Shown	30PBAW	Bolt Adjustment Wrench	
Not Shown	301347	Top Rod Extension 12"	
Not Shown	301348	Top Rod Extension 24"	