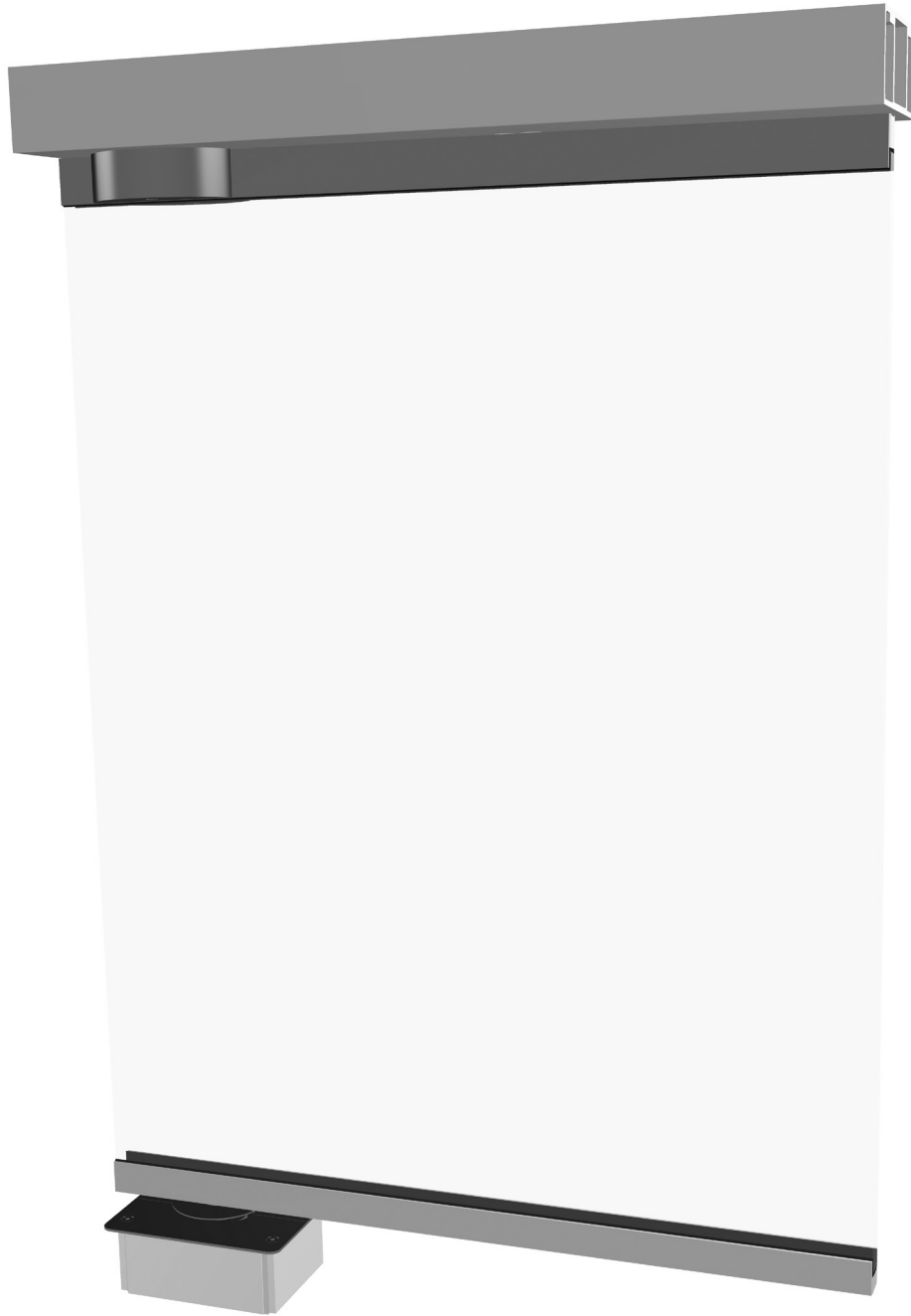


# INSTALLATION INSTRUCTIONS

## CRL -BLUMCRAFT 1301 ENTRY DOOR --- W/ OVERHEAD CLOSER



Phone: (800) 421-6144 • Fax: (866) 921-0531  
crlaurence.com • usalum.com • crl-arch.com

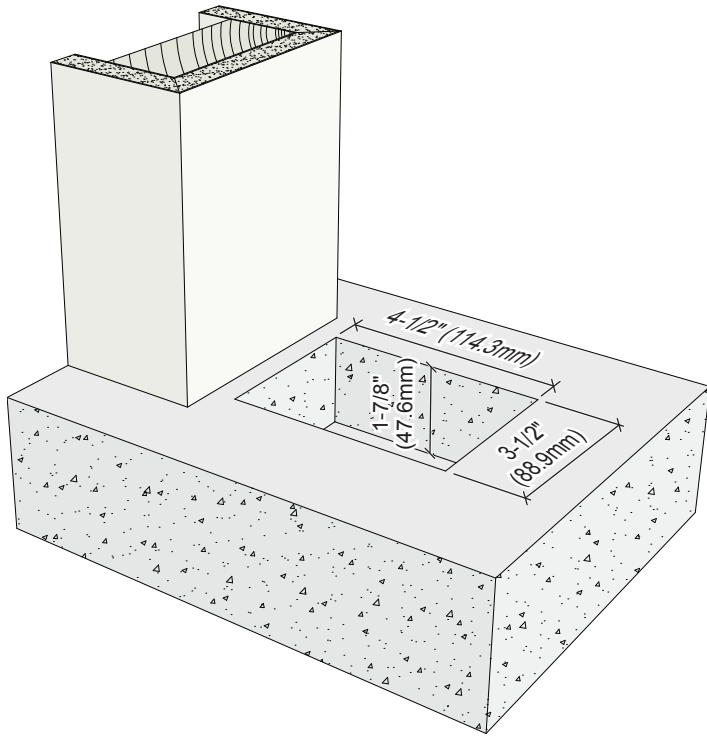
# ORDER OF ASSEMBLY AND INSTALLATION

ORDER OF ASSEMBLY AND INSTALLATION ..... 02

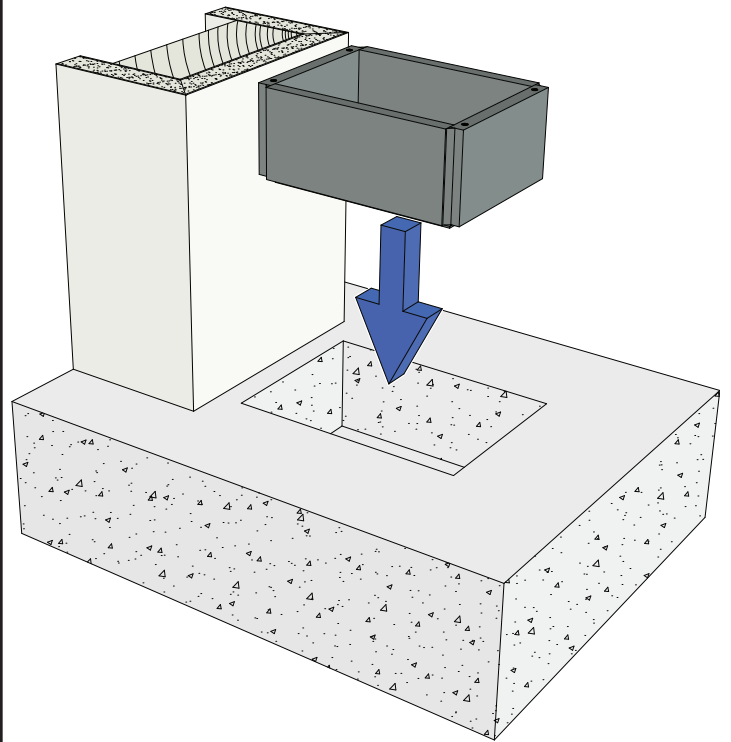
BP-13 PIVOT INSTALLATION ..... 03

BP-13 PIVOT INSTALLATION AND 1301 DOOR INSTALLATION ..... 04-06

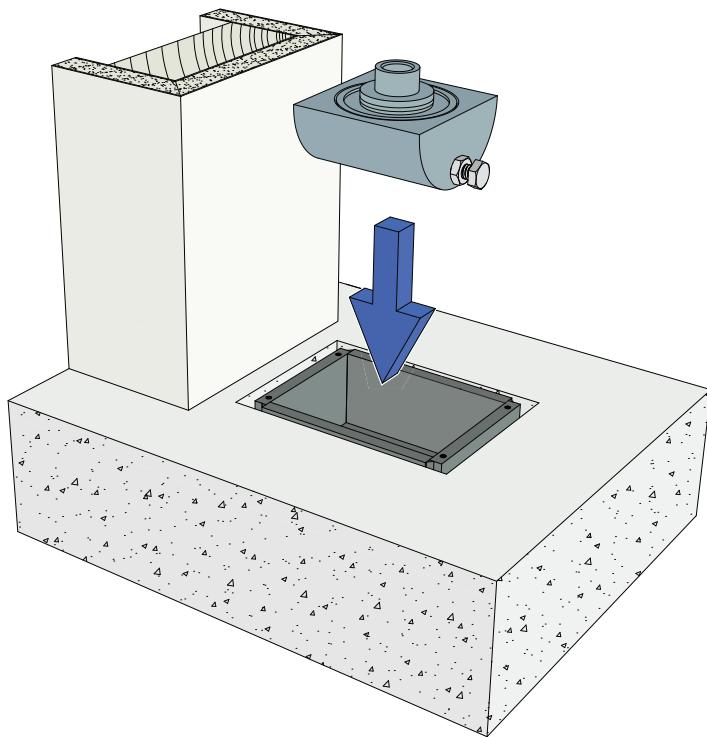
CRL-BLUMCRAFT 1301 ENTRY DOOR  
BP-13 PIVOT INSTALLATION



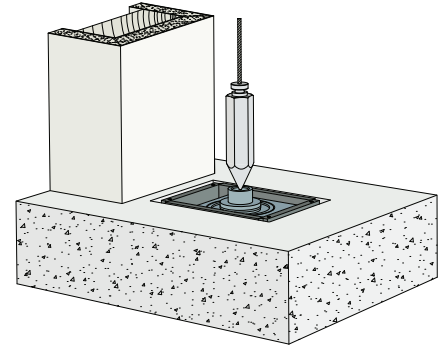
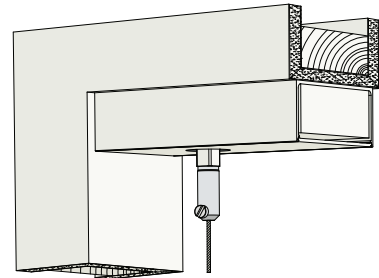
1. Determine the location of the BP-13 Pivot and Cut-out the floor.



2. Place the BP-13 Pivot Box into the opening and shim the box flush with the finished floor.

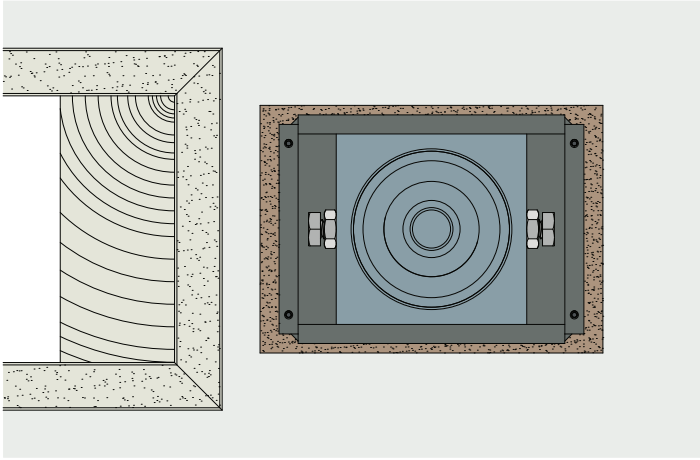


3. Place the BP-13 Pivot into the box.

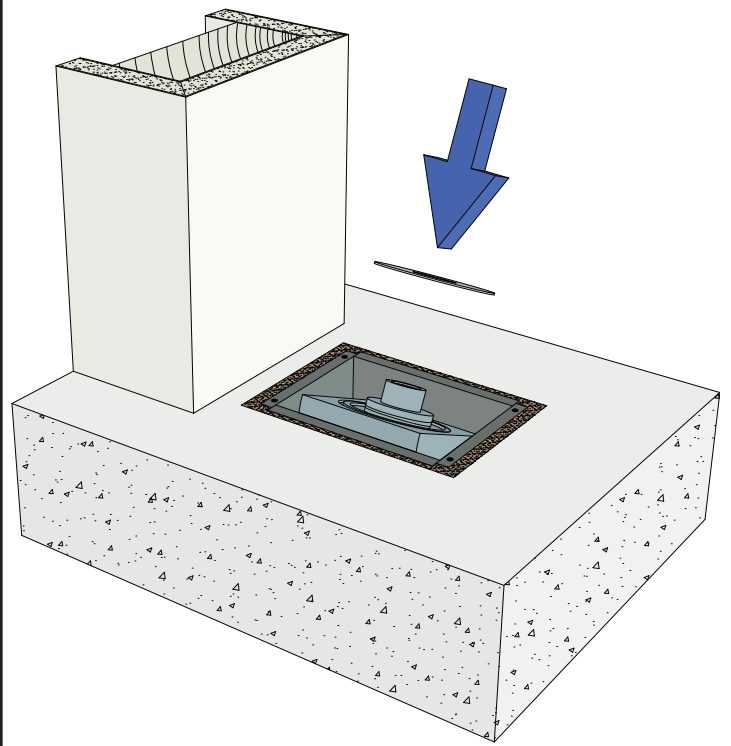


4. Use a Plumb Bob to align the BP-13 Pivot to the Concealed closer spindle above.

## BP-13 PIVOT INSTALLATION (CONTINUED)

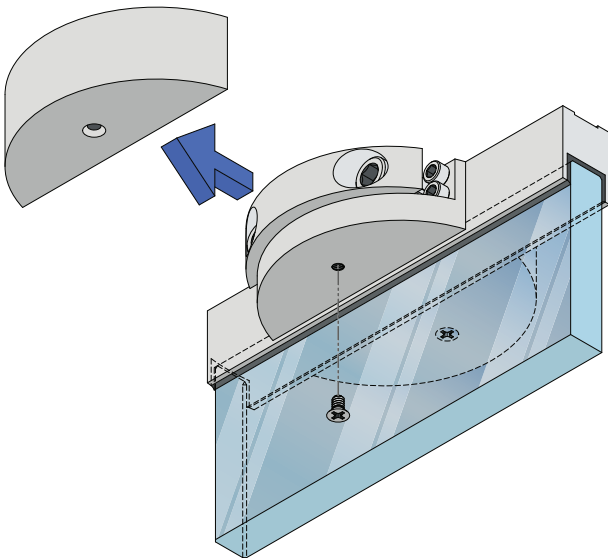


5. Grout the box in place using a Non-Shrinking or expanding grout.

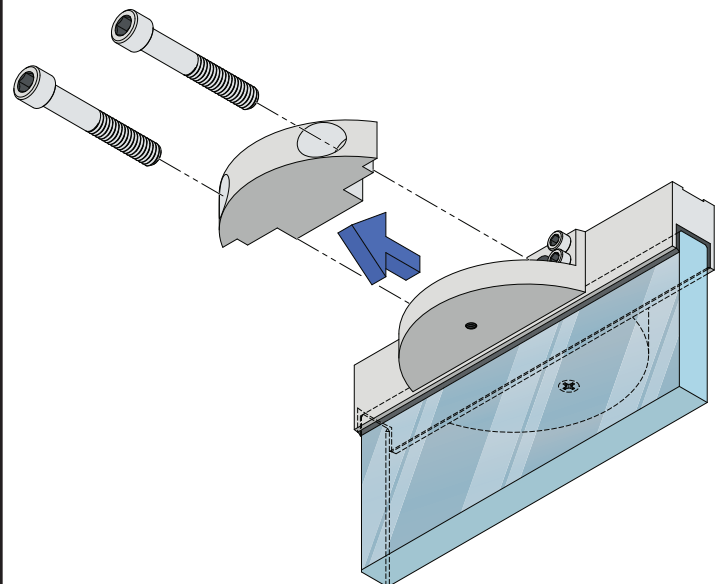


6. Tilt the BP-13 Pivot toward the doors exterior side, place the Finish Ring onto the spindle

## 1301 DOOR INSTALLATION

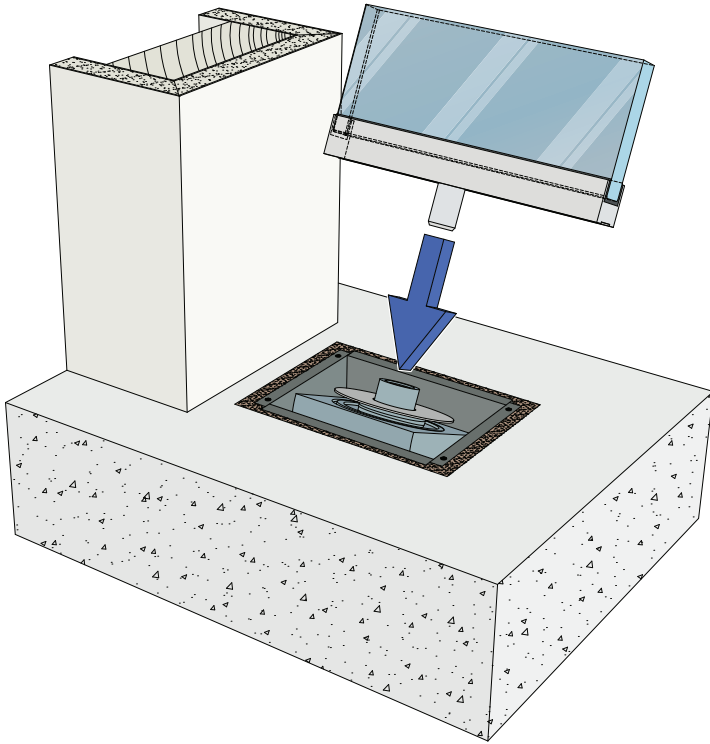


7. Remove the Interior Overhead Closer Adapter Cover.

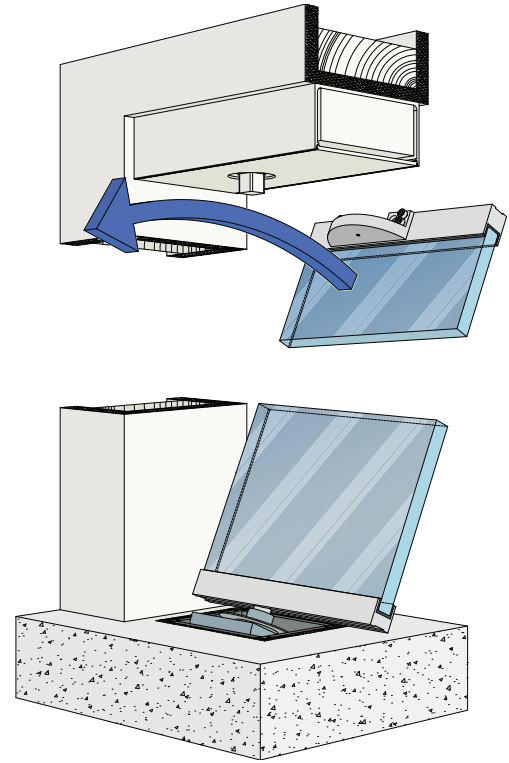


8. Remove the Spindle Clamp by removing the (2) 5/16-18 Socket Head Cap Screws.

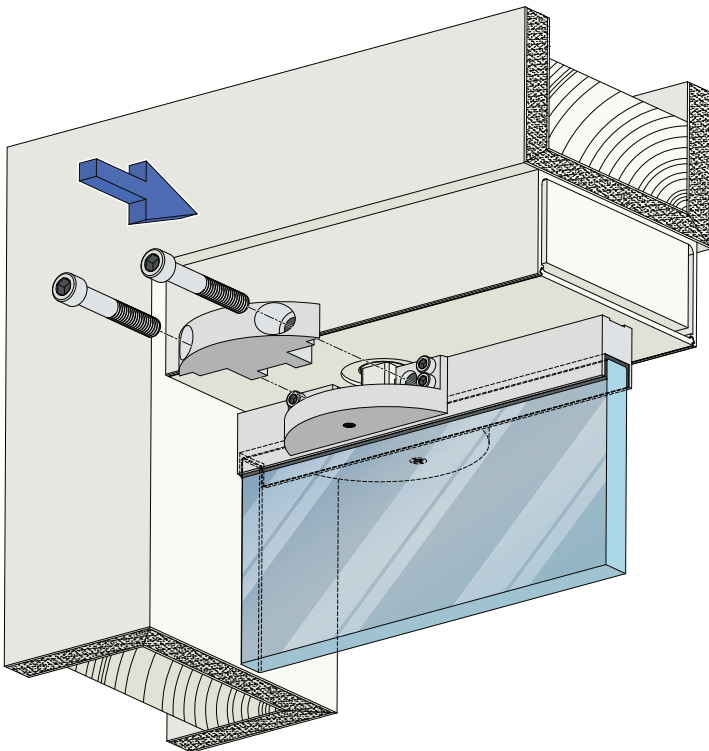
## 1301 DOOR INSTALLATION (CONTINUED)



9. Install the door by inserting the bottom door rail pivot pin into the BP-13 spindle.



10. Tilt the door onto the overhead closer spindle and engage the spindle adapter.



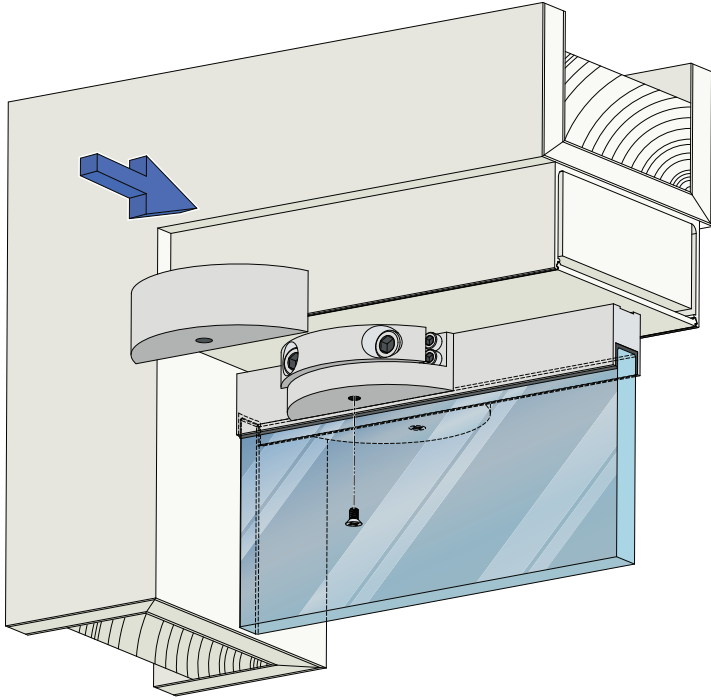
11. Re-install the spindle clamp with (2) 5/16-18 socket head cap screws.

12. Check floor clearances within the entire swing arc of the door. To adjust the floor clearance: Remove the door, BP-13 finish ring and the BP-13 Pivot. Add or remove shims as required. Re-Assemble the BP-13 Pivot. Repeat steps 9 through 11.

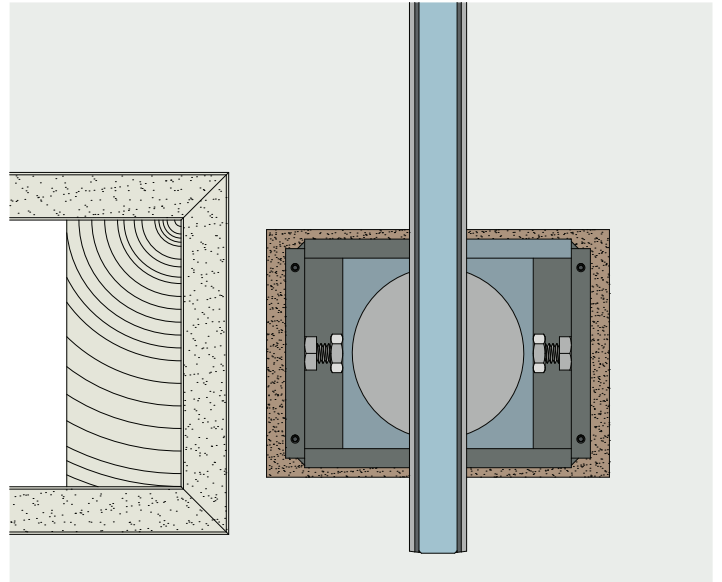
13. Align the door leading edge with the adjacent door/sidelite by alternately tightening or loosening the 5/16-18 Socket Head Cap Screws.

14. After the door has been aligned remove the 5/16-18 Socket Head Cap Screws on at a time, apply LOC-TITE, Re-install and uniformly tighten.

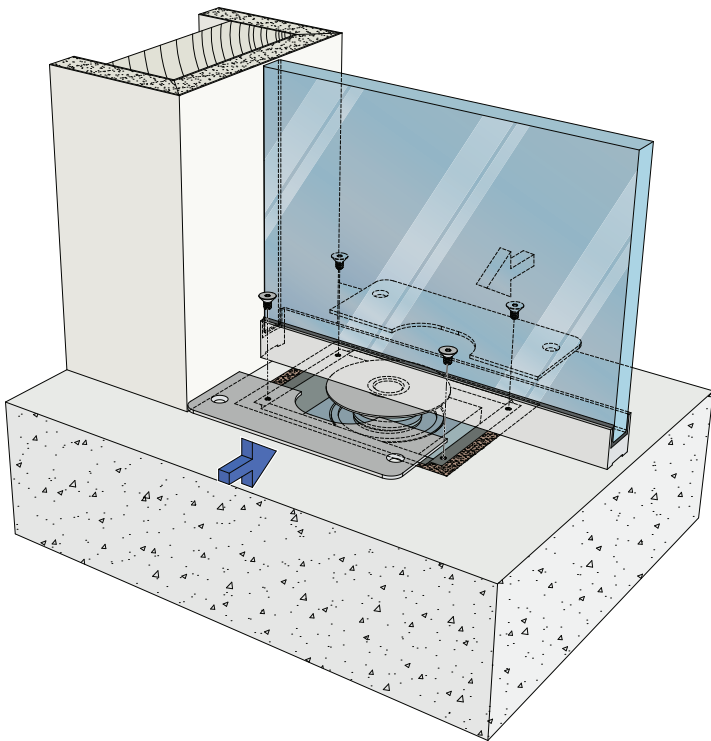
## 1301 DOOR INSTALLATION (CONTINUED)



15. Re-install the Overhead Interior Closer Adapter Cover.



16. Adjust the gaps between the adjacent door/sidelite by adjusting the Pivot Screws, loosen the locking nuts prior to making adjustments. After making the adjustments secure the BP-13 Pivot by tightening the bolts against the box and tightening the nuts.



17. Lift the finish ring and place the covers under the ring and secure the covers to the pivot box.