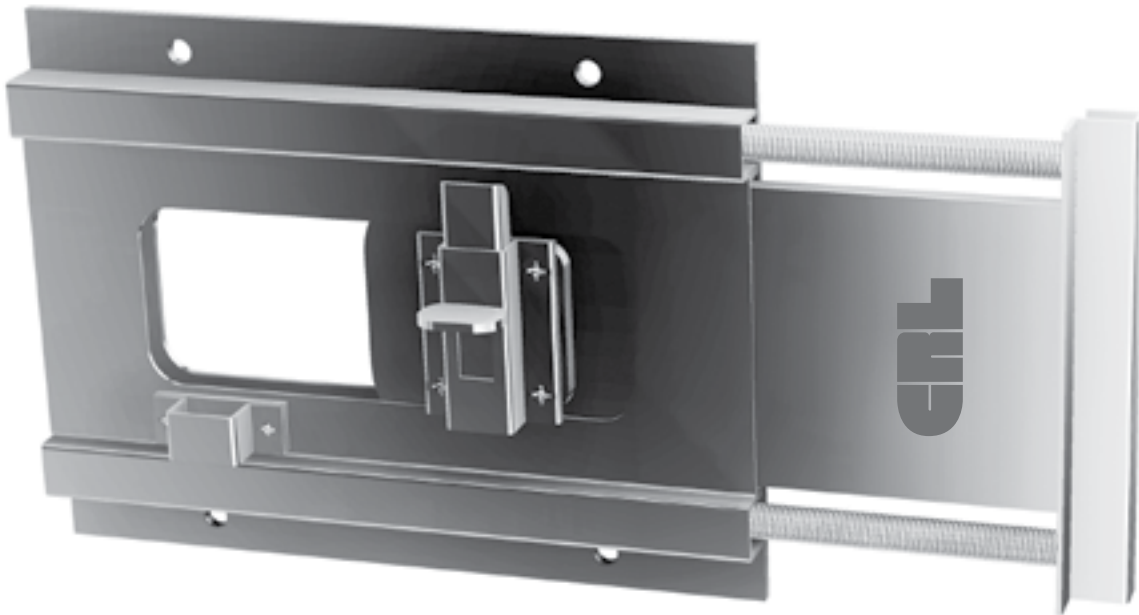


INSTALLATION INSTRUCTIONS

GPWM3 WALL MOUNT SLIDING GUNPORT



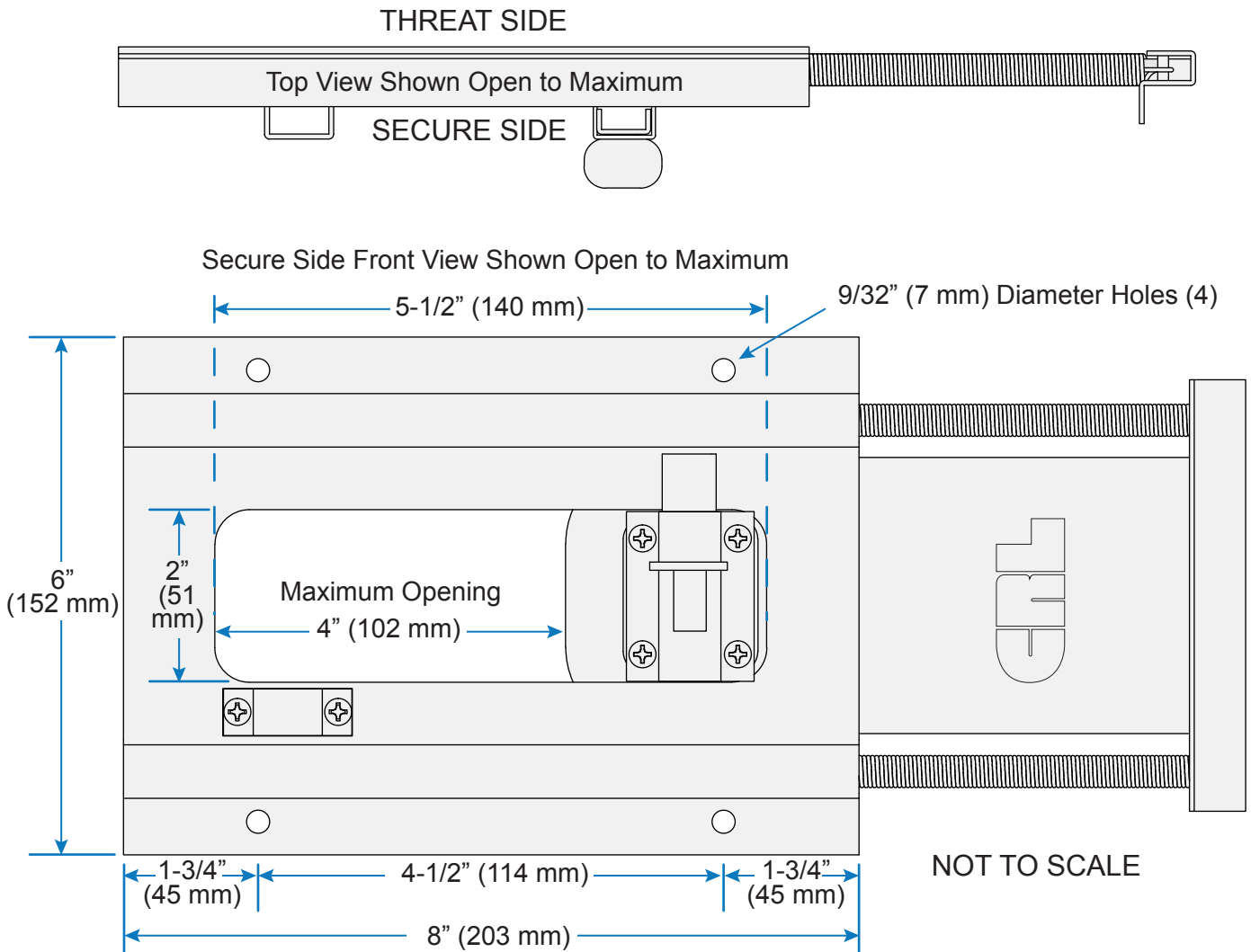
2503 E. Vernon Avenue, Los Angeles, CA 90058-1826
Phone: (800) 421-6144 Ext. 7760 Fax (800) 458-7496
crlaurence.com Email: transaction@crlaurence.com

SPECIFICATIONS

- Intended for Rifle and/or Shotgun Use
- Level 3 Protection
- Mounts Directly to a Wall or Bullet Resistant Door
- Self-closing Slide with Latching Lock
- Can be Installed Handle Left or Handle Right

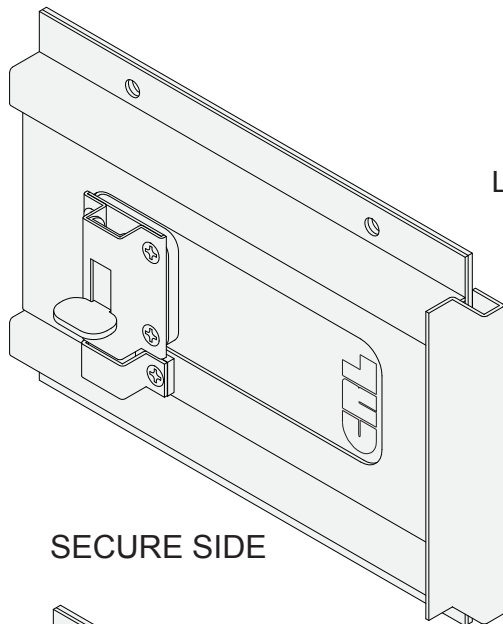
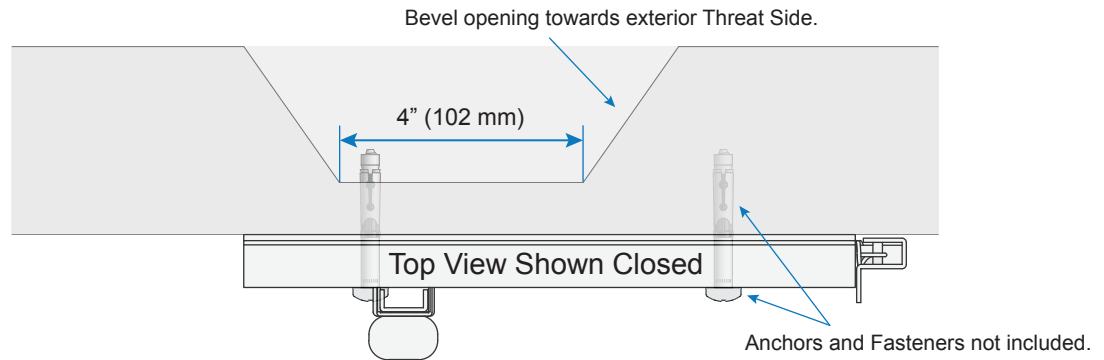
CRL's Wall Mount Sliding Gunport is designed to be mounted into reinforced bullet resistant walls or doors. Typical applications include correctional institutions, guard stations, nuclear facilities, banks, financial institutions, and other areas where ballistic protection and rifle response may be required. This Wall Mount Sliding Gunport has a spring-loaded self-closing slide for ultimate protection. Gunport is fabricated from 304 brushed stainless steel plate.

IMPORTANT: READ THIS MANUAL THOROUGHLY BEFORE BEGINNING INSTALLATION.

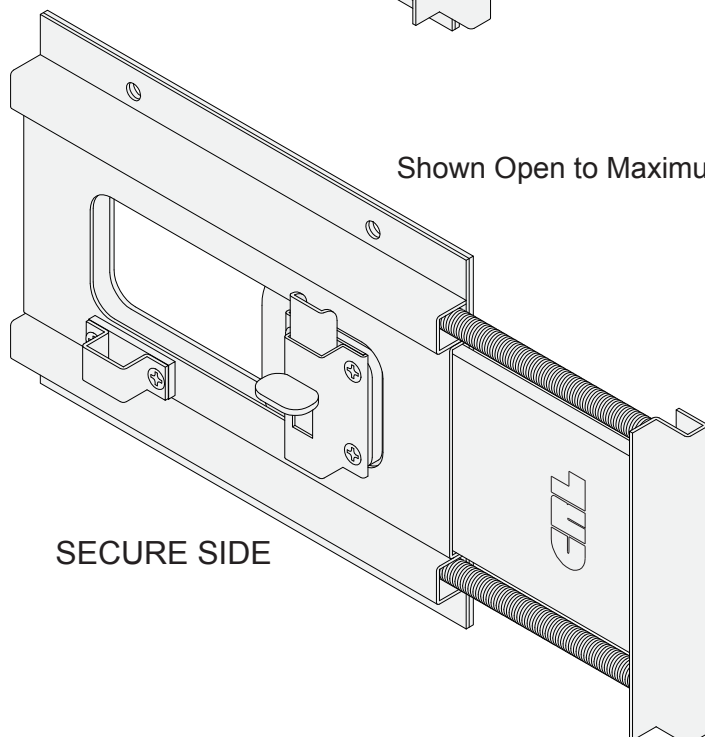
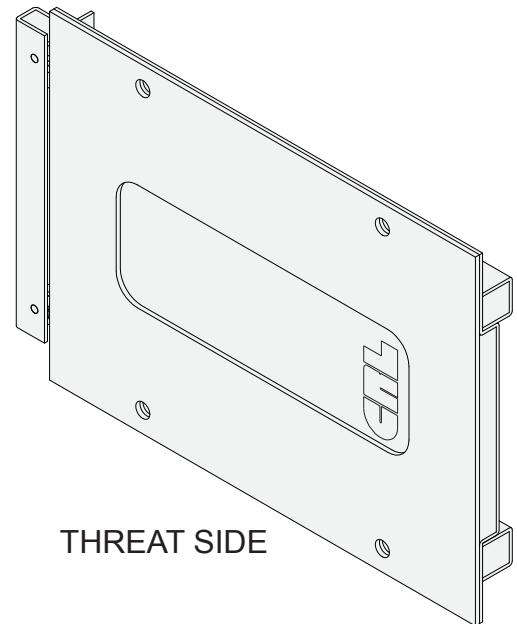


INSTALLATION

Cut a 4" (102 mm) wide by 2" (51 mm) high opening beveled towards wall's exterior. This provides for a larger field of return fire. Mount using appropriate anchors and fasteners (not supplied).



Shown Closed with Latch in Secure Position



Shown Open to Maximum