

# INSTALLATION INSTRUCTIONS

## MODELS D1029 AND D1030 BARBARA MODEL PASS-THRU



Counter by Others



---

2503 E. Vernon Avenue, Los Angeles, CA 90058-1826  
Phone: (800) 421-6144 EXT. 7760 Fax: (800) 458-7496  
crlaurence.com Email: [transaction@crlaurence.com](mailto:transaction@crlaurence.com)

---

11M0269

# ORDER OF ASSEMBLY AND INSTALLATION

SPECIFICATIONS .....	2
PARTS LIST .....	3
GLASS FABRICATION .....	4
FIXED WINDOW ASSEMBLY .....	4 - 6
Install Gasket on Glass .....	4
Fit Top Rail on Glass and Loosely Attach Side Rails .....	5
Loosely Attach Bottom Rail to Side Rails .....	5
Square Frames and Secure .....	6
Replace Gasket in Outer Edge of D1623 .....	6
SLIDING WINDOW ASSEMBLY .....	7
INSTALLATION .....	8 - 11
Install Overhead Track .....	8
Hang Sliding Window .....	8
Install Retractable Guide .....	9
Install Jamb .....	9
Install Fixed Windows .....	10
Hang Sliding Window .....	11
Install D812 Catch .....	11
Optional D812 Catch Installation .....	11
OPTIONAL KEYED LOCK OPERATION .....	12

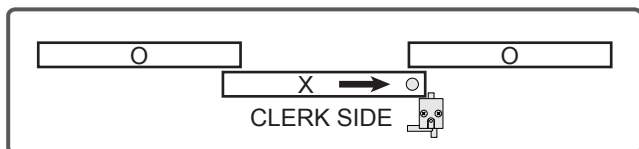
**IMPORTANT: READ THIS MANUAL THOROUGHLY BEFORE BEGINNING INSTALLATION.**

Contact the CRL Transaction Hardware Department at (800) 421-6144 EXT. 7760 or email [transaction@crlaurence.com](mailto:transaction@crlaurence.com) for questions.

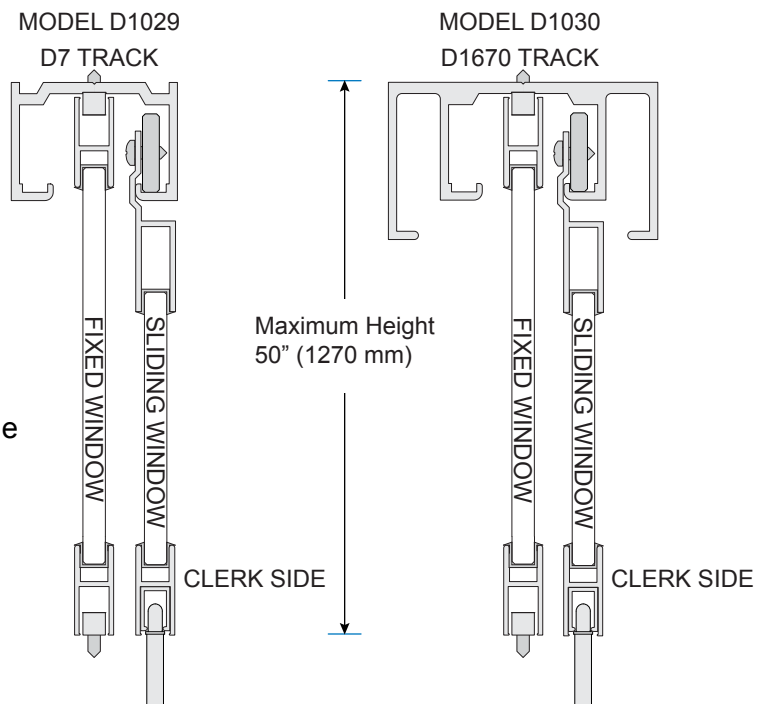
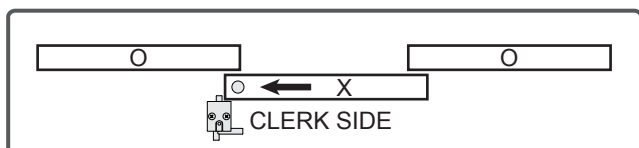
## SPECIFICATIONS

Model D1029 with window sliding to clerk's right is shown in these instructions.

**NOTE:** Model D1030 is designed to match storefront subframe.



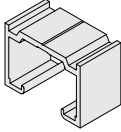
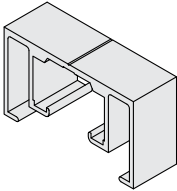
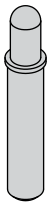
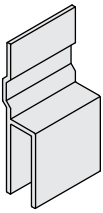
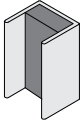
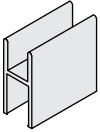
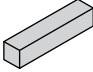
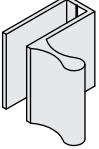
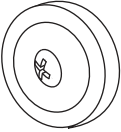
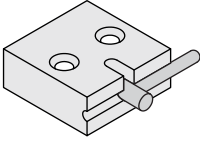
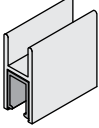
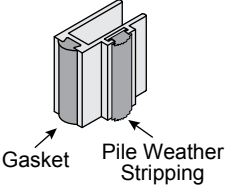
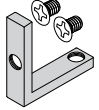
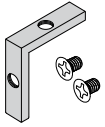
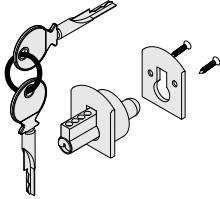



**NOTE:** For models without locks, Retractable Guide and D812 Catch may be positioned on left side of sliding window so that window opens to clerk's left.



# PARTS LIST

NOTE: Counter by Others

<p>D1029</p>  <p>Barbara with D7 Overhead Track</p>		<p>D1030</p>  <p>Barbara with D1670 Overhead Track</p>	
<p>D7</p>  <p>Overhead Track (D1029 Models)</p>	<p>D1670</p>  <p>Oversized Overhead Track (D1030 Models)</p>	<p>D35</p>  <p>Retractable Tip Lower Guide</p>	<p>D40</p>  <p>Front Hanger</p>
<p>D606</p>  <p>Single Jamb with Cushion</p>	<p>D610</p>  <p>H-Bar</p>	<p>D637</p>  <p>Mill Bar Stock</p>	<p>D639</p>  <p>Vertical Stile Pull</p>
<p>D679</p>  <p>Nylon Ball Bearing Roller</p>	<p>D812</p>  <p>Low Profile Deck Catch</p>	<p>D1611</p>  <p>H-Bar with Plastic Liner</p>	<p>D1623</p>  <p>Gasket    Pile Weather Stripping</p> <p>Overlap Stile with Pile and Gasket</p>
<p>D658WS</p>  <p>Lower Frame Corner with Nylok Screws</p>	<p>D662WS</p>  <p>Upper Frame Corner with Nylok Screws</p>	 <p>Optional Keyed Lock</p>	 <p>Not Included : Fasteners for Perimeter, Bar Stock and Catch</p>

## GLASS FABRICATION

Fixed Glass Width = Window Width divided by 3 minus 7/8" (22 mm)

Fixed Glass Height = Window Height minus 1-3/4" (46 mm)

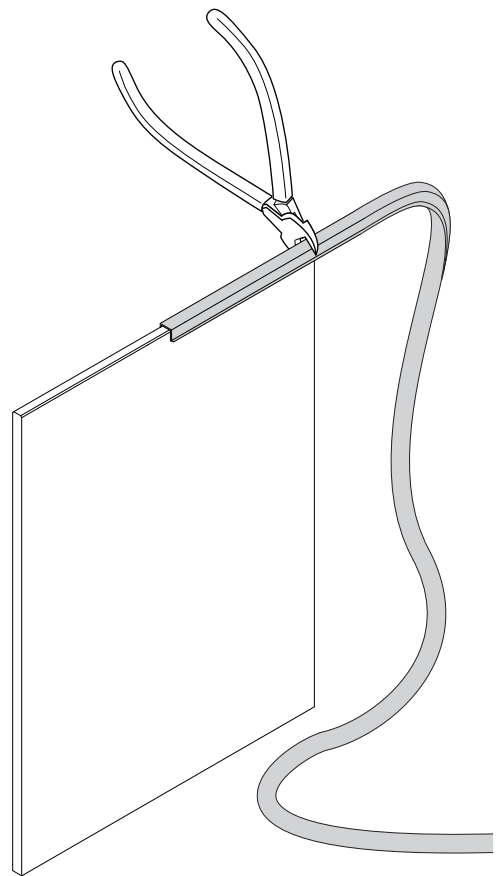
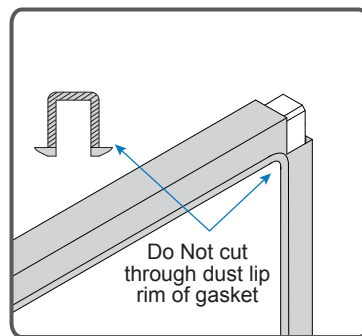
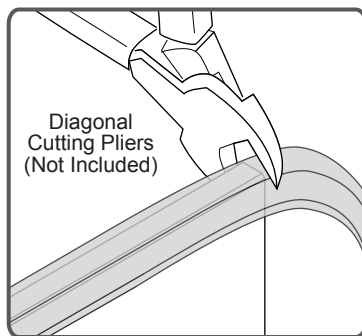
Sliding Glass Width = Window Width divided by 3 minus 7/8" (22 mm)

Sliding Glass Height = Window Height minus 3-1/4" (83 mm)

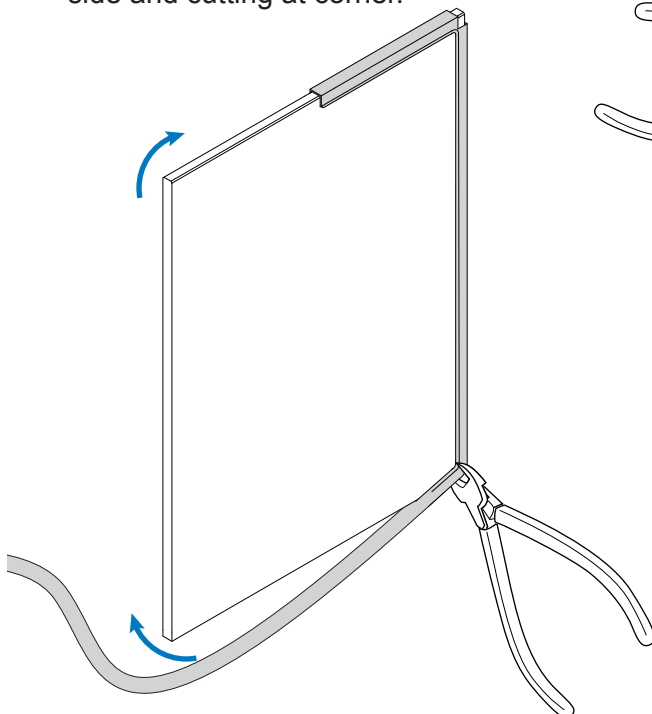
## WINDOW ASSEMBLY

### 1. Install Gasket on Glass

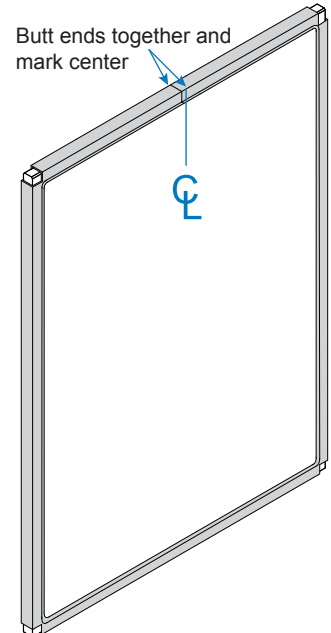
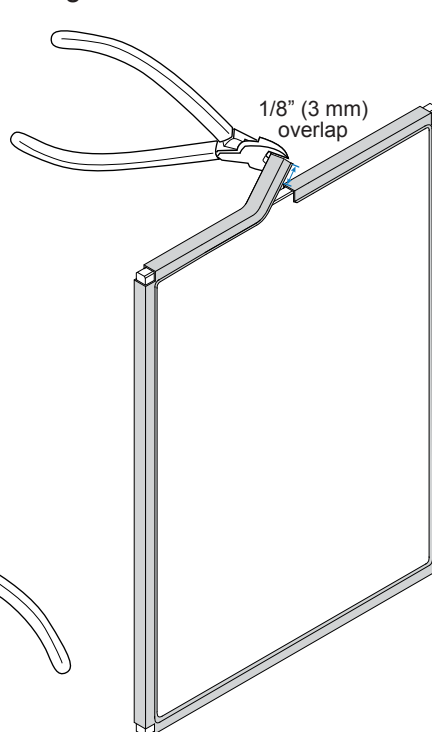
- Ⓐ Fit gasket onto glass at center of the side that will become the top. Smooth to corner and cut a slit through the base of gasket. Do Not cut all the way through to dust lip rims.



- Ⓑ Continue working gasket around edges, smoothing along each side and cutting at corner.



- Ⓒ Overlap ends at top and cut 1/8" (3 mm) excess. Butt ends together. Mark center of each panel.

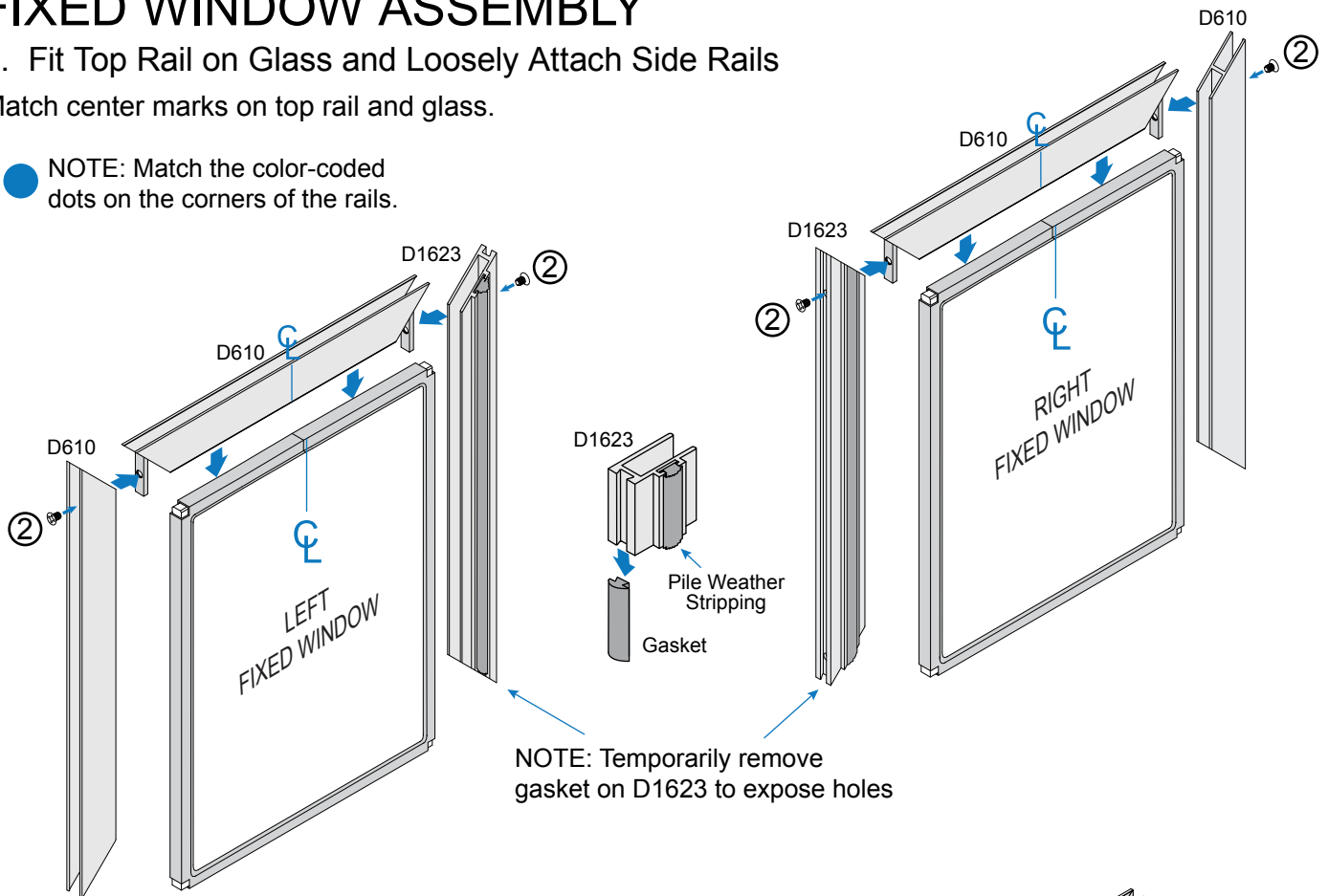


# FIXED WINDOW ASSEMBLY

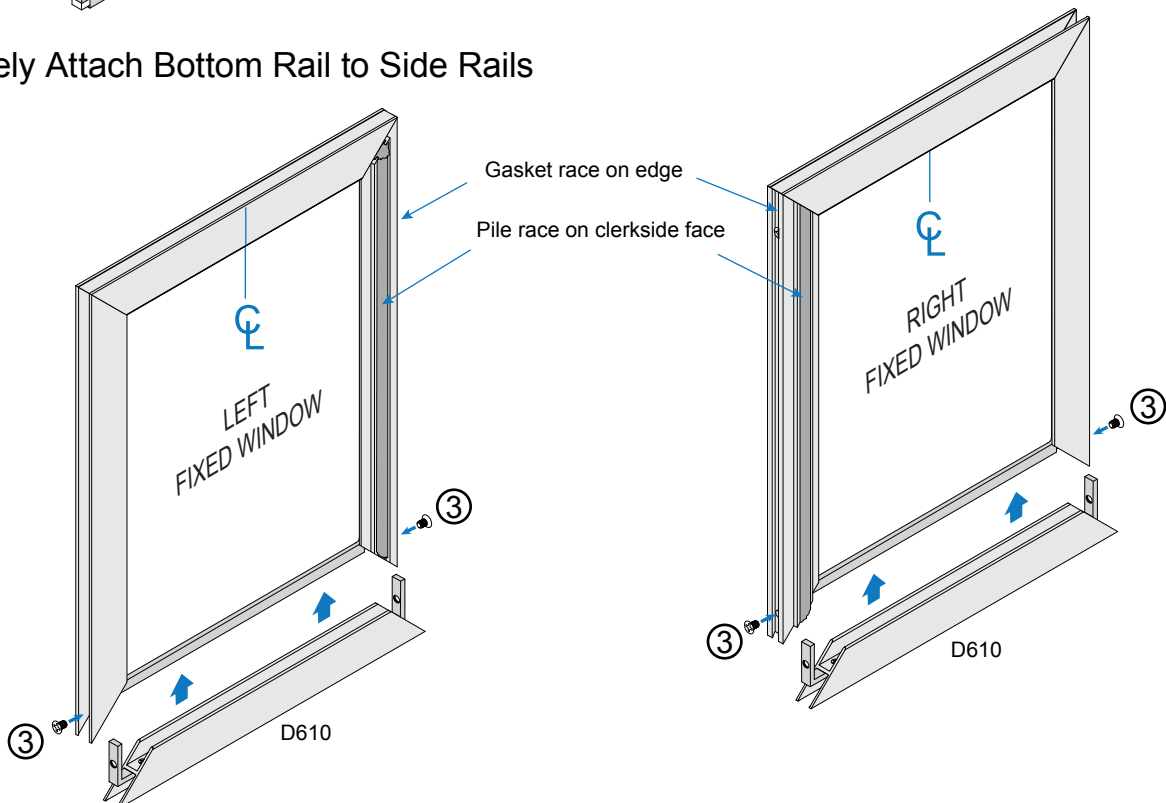
## 2. Fit Top Rail on Glass and Loosely Attach Side Rails

Match center marks on top rail and glass.

● NOTE: Match the color-coded dots on the corners of the rails.



## 3. Loosely Attach Bottom Rail to Side Rails

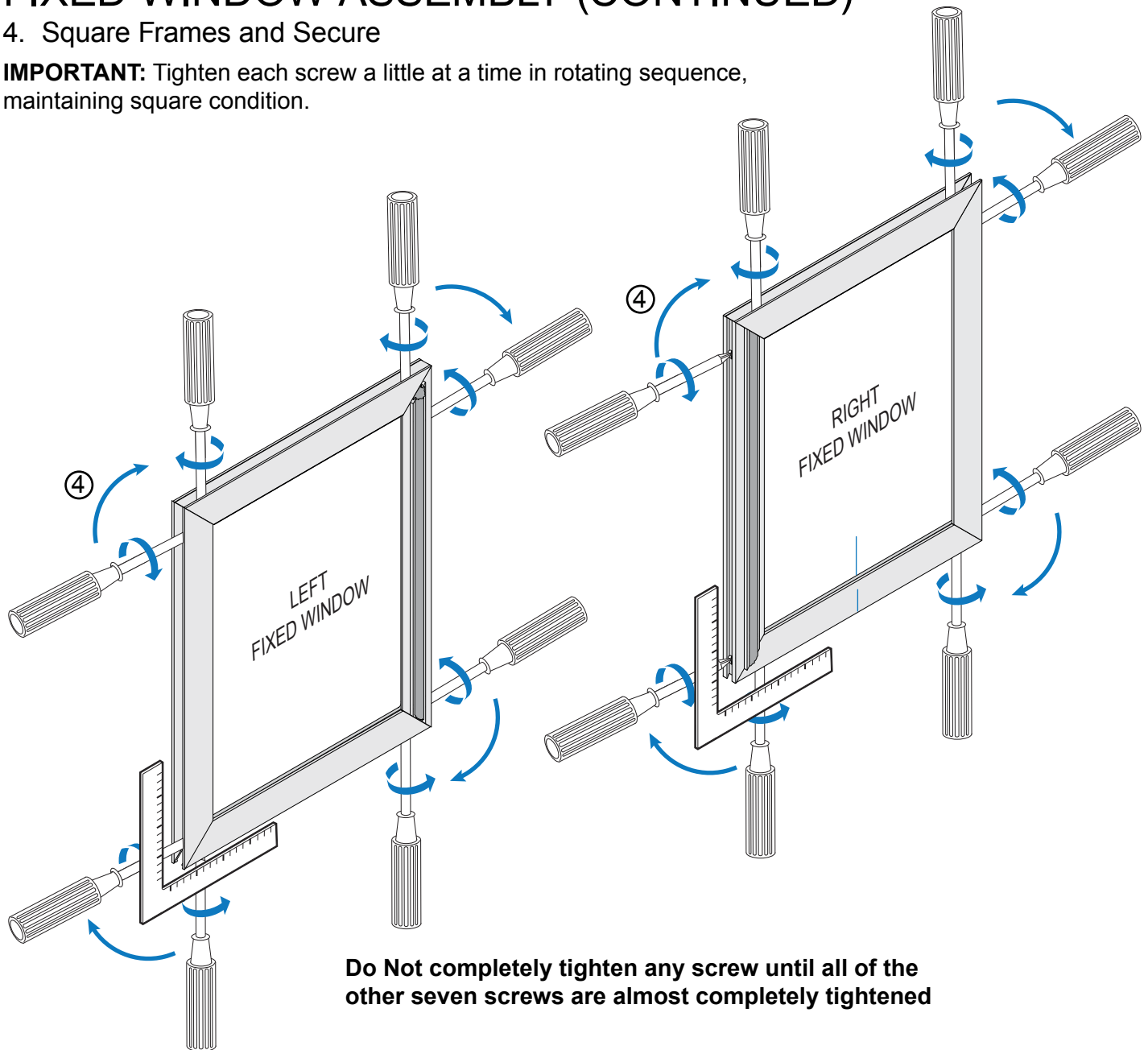


NOTE: Assemble one left fixed window and one right fixed window as shown.

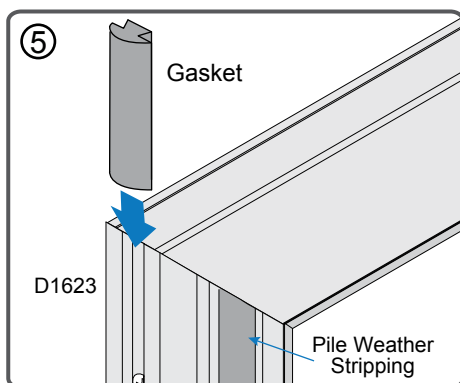
## FIXED WINDOW ASSEMBLY (CONTINUED)

### 4. Square Frames and Secure

**IMPORTANT:** Tighten each screw a little at a time in rotating sequence, maintaining square condition.

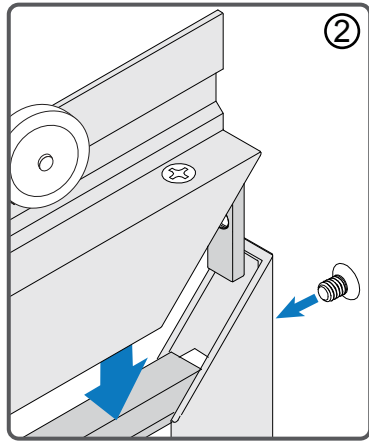


### 5. Replace Gasket in outer edge of D1623

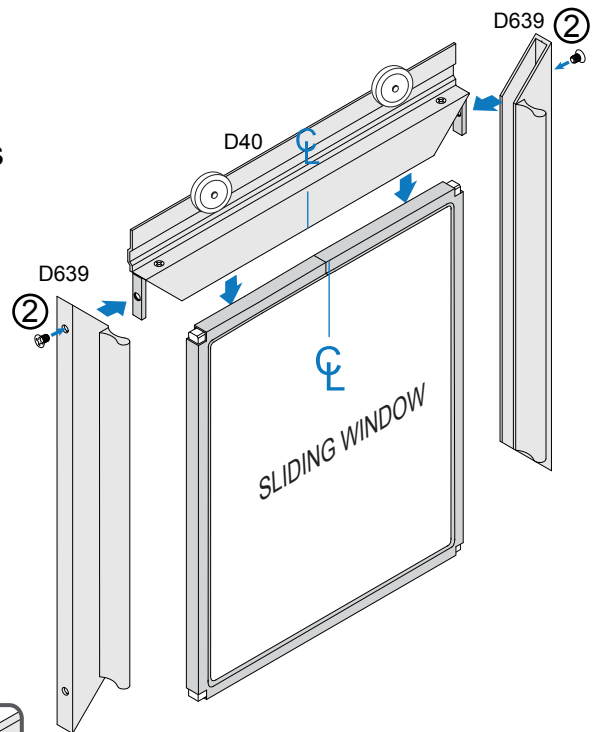


# SLIDING WINDOW ASSEMBLY

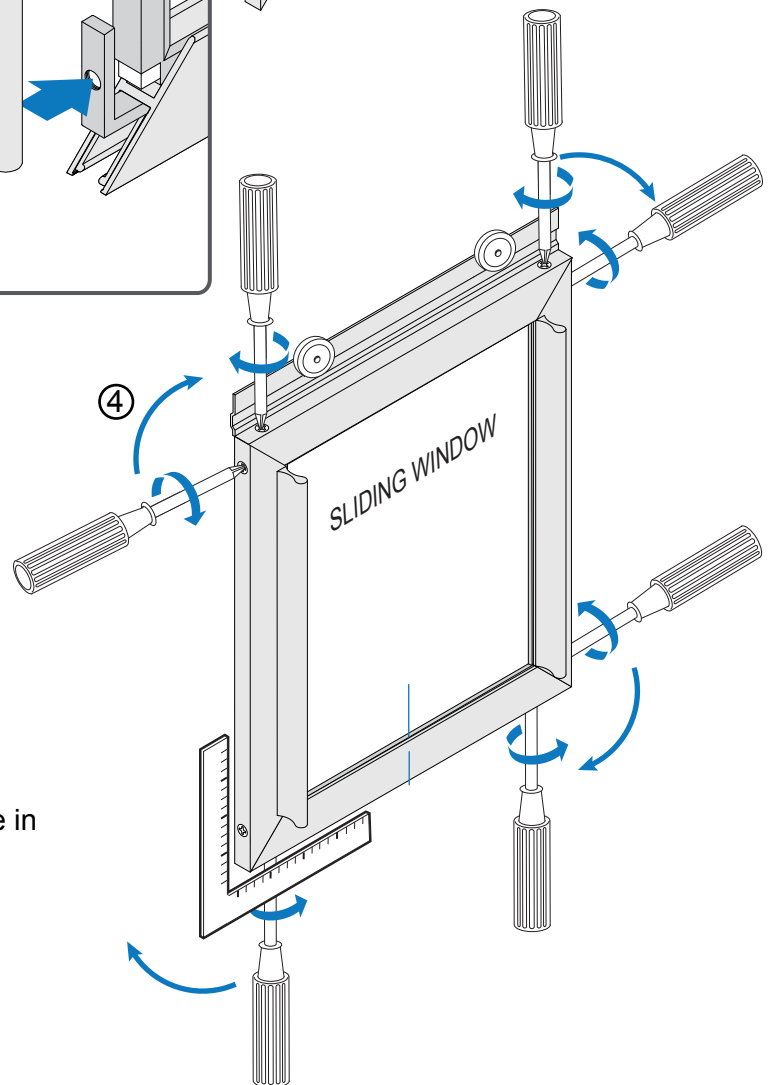
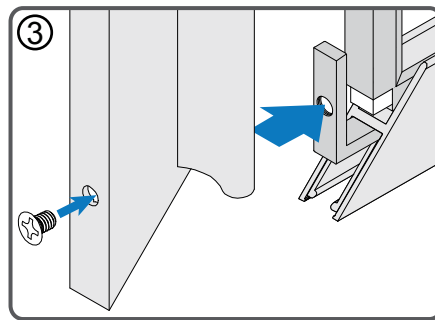
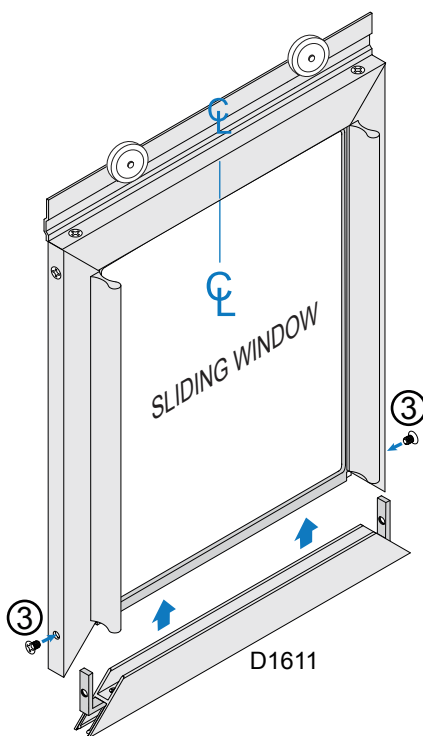
1. Install Gasket on Glass (See Page 4)
2. Fit Top Rail on Glass and Loosely Attach Side Rails



● NOTE: Match the color-coded dots on the corners of the rails.



3. Loosely Attach Bottom Rail to Side Rails



4. Square Frame and Secure

**IMPORTANT:** Tighten each screw a little at a time in rotating sequence, maintaining square condition.

**Do Not completely tighten any screw until all of the other seven screws are almost completely tightened.**

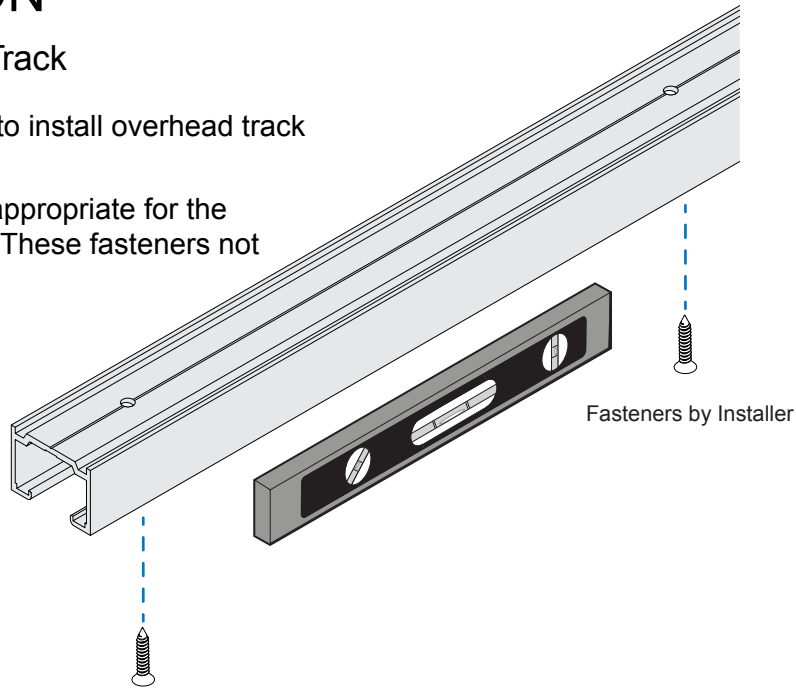
NOTE: Assemble one sliding window.

# INSTALLATION

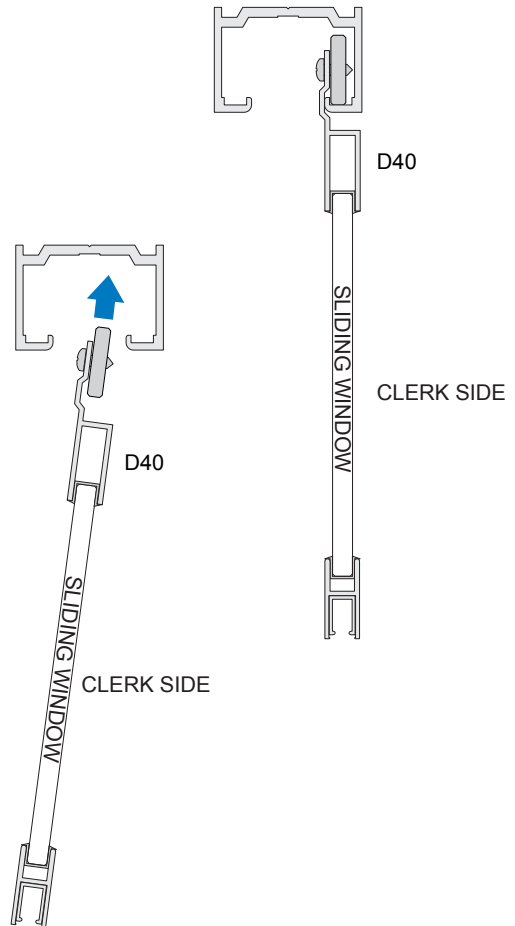
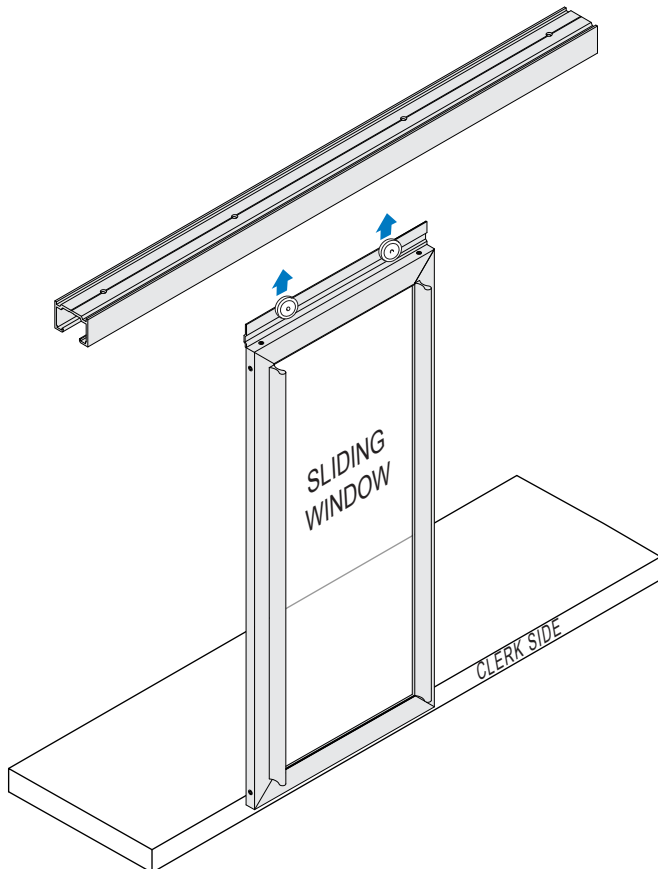
## 1. Install Overhead Track

Use a level and shims to install overhead track correctly in opening.

NOTE: Use fasteners appropriate for the surrounding substrate. These fasteners not included in kit.



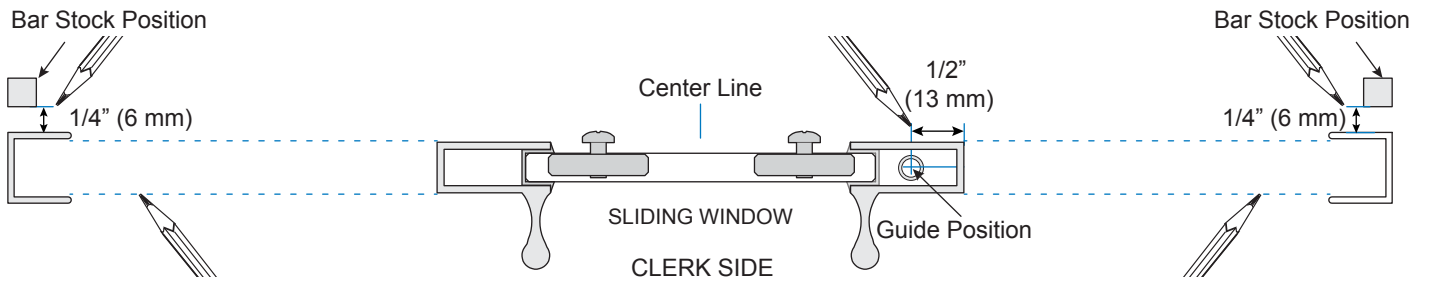
## 2. Hang Sliding Window



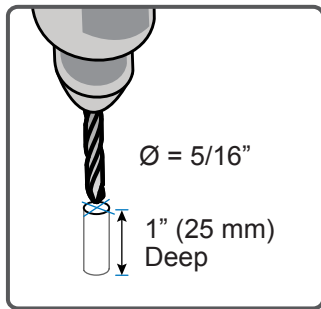


# INSTALLATION (CONTINUED)

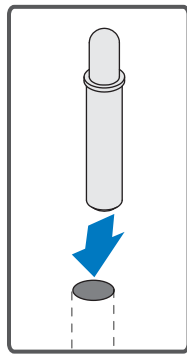
With the window in closed position, mark placement for retractable guide. Move the window to the open position to mark placement for the jambs and fixed window bar stock. Remove the sliding window before installing retractable guide, jambs, and bar stock.



### 3. Install Retractable Guide

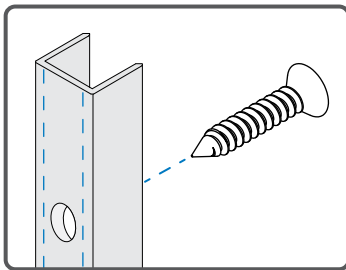


Drill 1" (25 mm) depth hole with 5/16" drill bit.

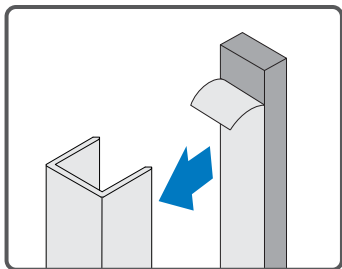


Insert guide in hole.

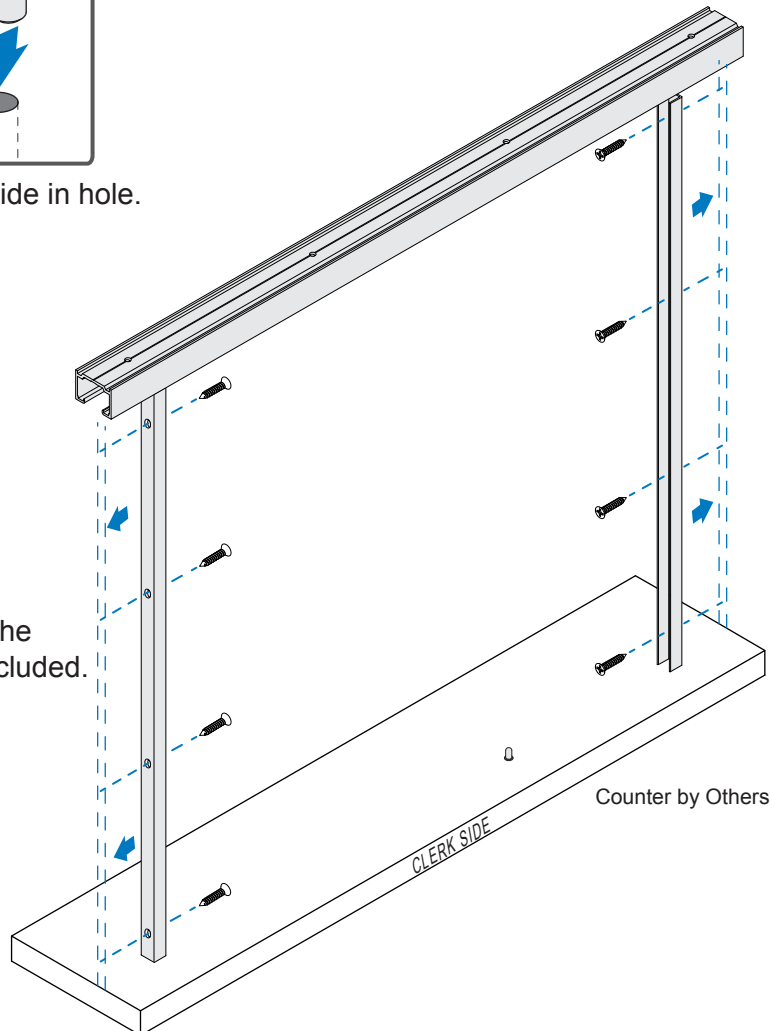
### 4. Install Jambs



Secure using fasteners appropriate for the surrounding substrate. Fasteners not included.



Remove backing and install rubber insert.

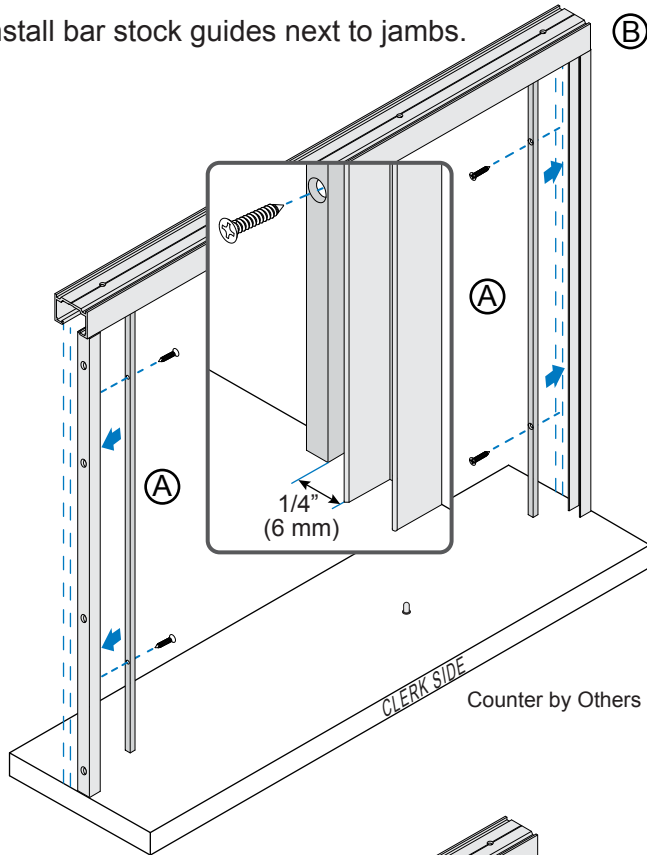


# INSTALLATION (CONTINUED)

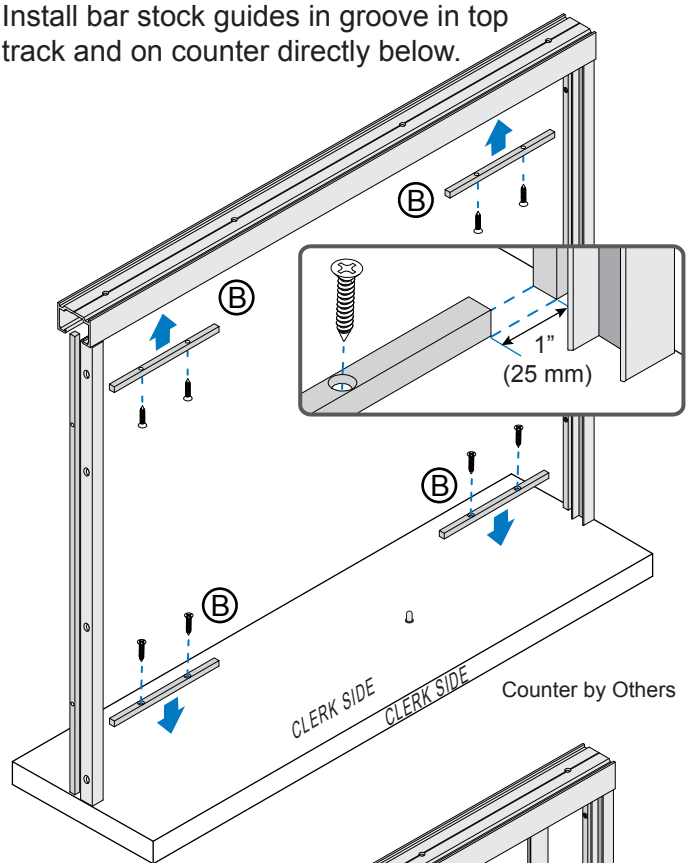
## 5. Install Fixed Windows

NOTE: Use fasteners appropriate for the surrounding substrate. Fasteners not included.

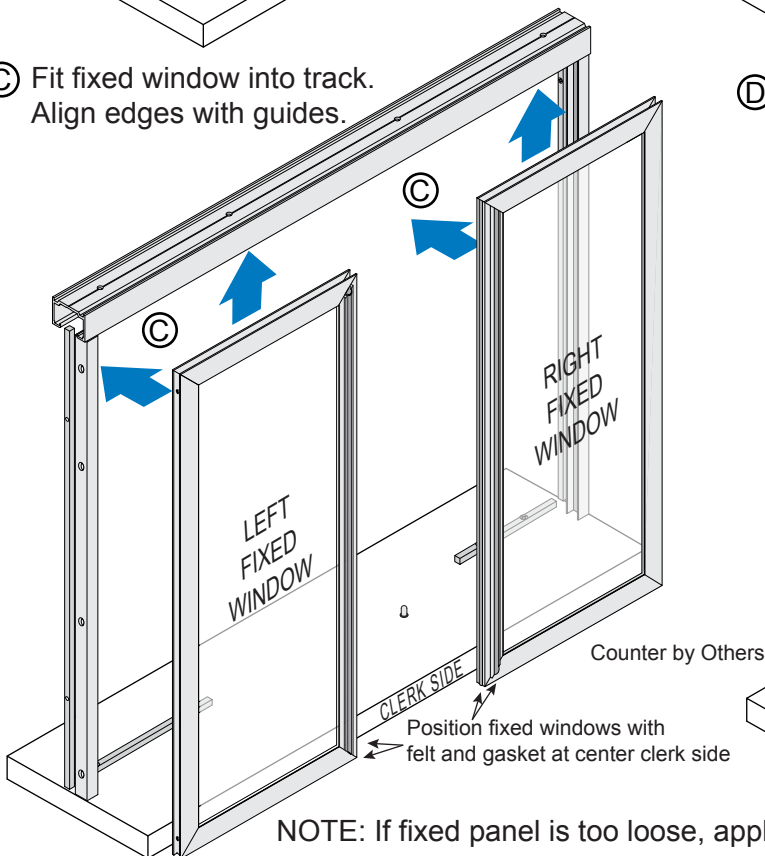
Ⓐ Install bar stock guides next to jambs.



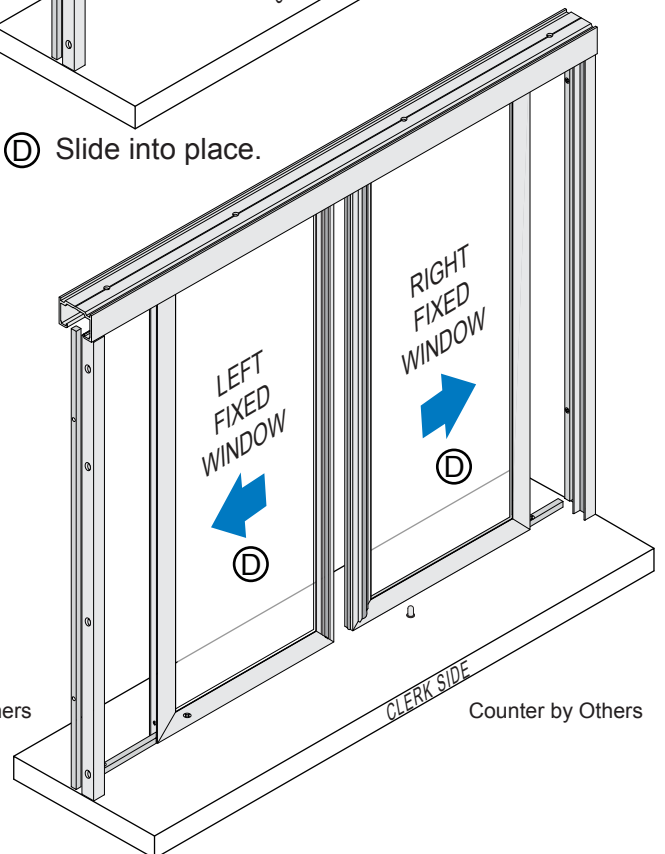
Ⓑ Install bar stock guides in groove in top track and on counter directly below.



Ⓒ Fit fixed window into track. Align edges with guides.



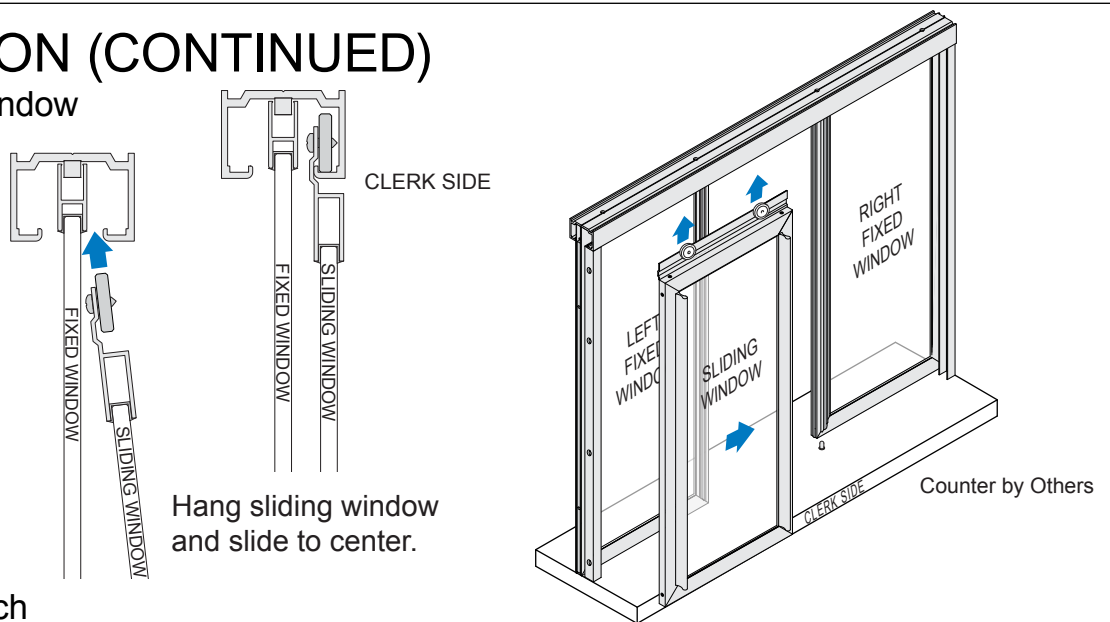
Ⓓ Slide into place.



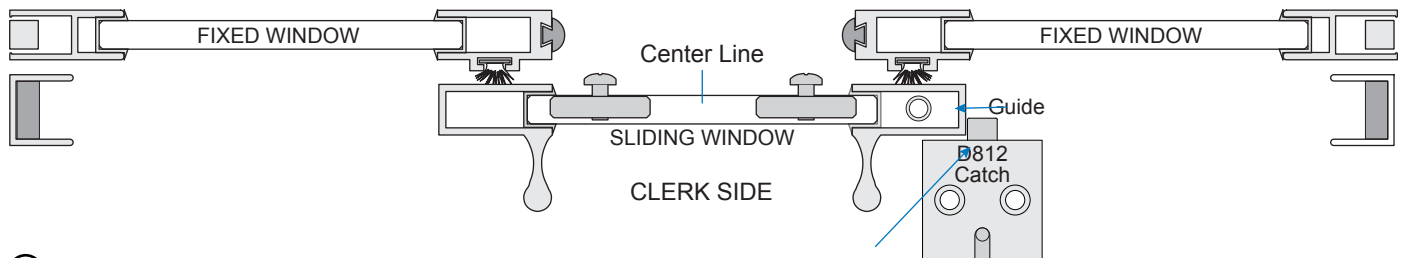
NOTE: If fixed panel is too loose, apply silicone sealant to top of lower bar stock.

# INSTALLATION (CONTINUED)

## 6. Hang Sliding Window



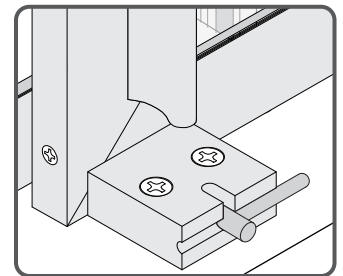
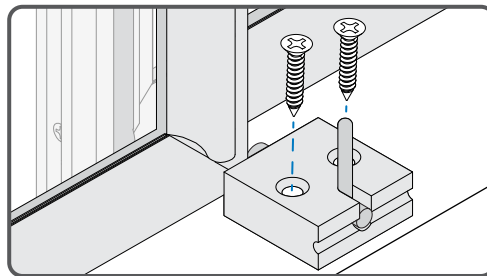
## 7. Install D812 Catch



(A) Align D812 catch with locking pin against edge of sliding window.

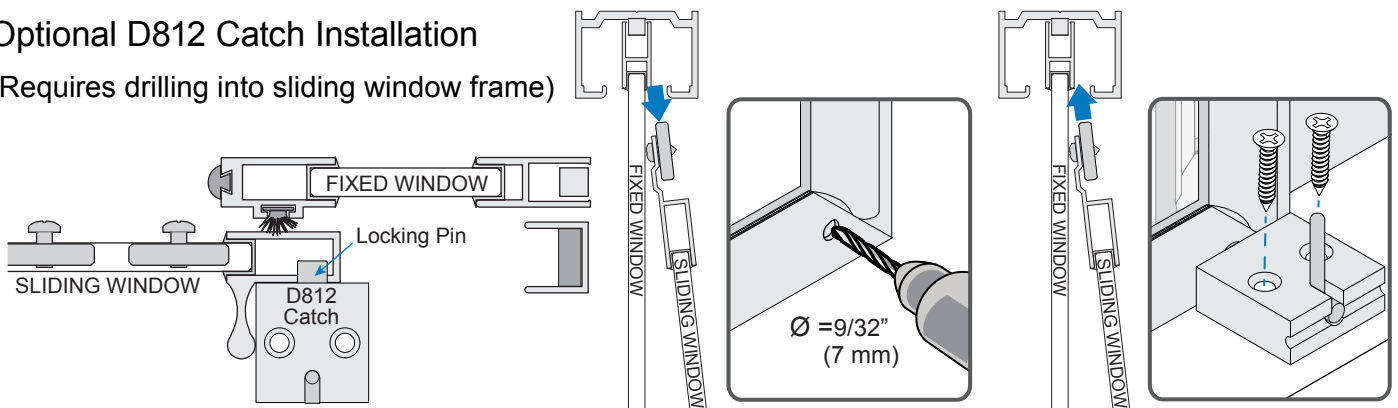
(B) Secure using fasteners appropriate for counter substrate. Fasteners not included.

(C) Unlock catch to open sliding window.



## Optional D812 Catch Installation

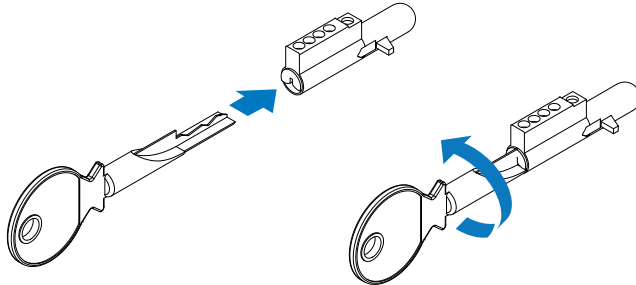
(Requires drilling into sliding window frame)



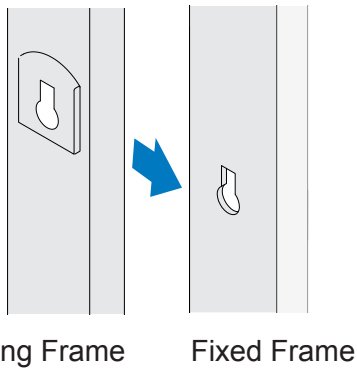
Remove window to drill 9/32" (7 mm) hole in bottom corner. Hang window and align D812 Catch so locking pin engages. Secure using fasteners appropriate for counter substrate. Fasteners not included.

# OPTIONAL KEYED LOCK OPERATION

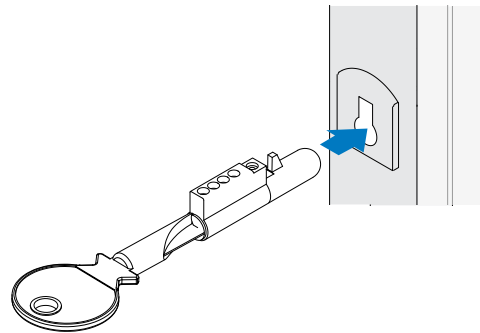
Ⓐ Insert key into lock cylinder and turn to unlock.



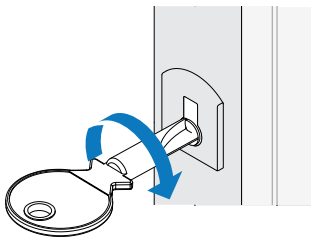
Ⓑ Align sliding frame and jamb.



Ⓒ Insert key and cylinder.



Ⓓ Turn to locked position.



Ⓔ Remove key.

