

INSTALLATION INSTRUCTIONS

MODELS D1031 AND D1032

DIANE MODEL PASS-THRU



Counter by Others



2503 E. Vernon Avenue, Los Angeles, CA 90058-1826
Phone: (800) 421-6144 EXT. 7760 Fax: (800) 458-7496
crlaurence.com Email: transaction@crlaurence.com

11M0268

ORDER OF ASSEMBLY AND INSTALLATION

SPECIFICATIONS	2
PARTS LIST	3
GLASS FABRICATION	4
WINDOW ASSEMBLY	4 - 6
Install Gasket on Glass	4
Fit Top Rail on Glass and Loosely Attach Side Rails	5
Loosely Attach Bottom Rail to Side Rails	5
Square Frames and Secure	6
Replace Gasket in Outer Edge of D1623	6
INSTALLATION	7 - 10
Install Overhead Track	7
Hang Sliding Windows	7
Install Retractable Guides	8
Install Jamb's	8
Install Fixed Windows	9
Hang Sliding Windows	10
Install D812 Catch	10
Optional D812 Catch Installation	10
OPTIONAL KEYED LOCK OPERATION	11

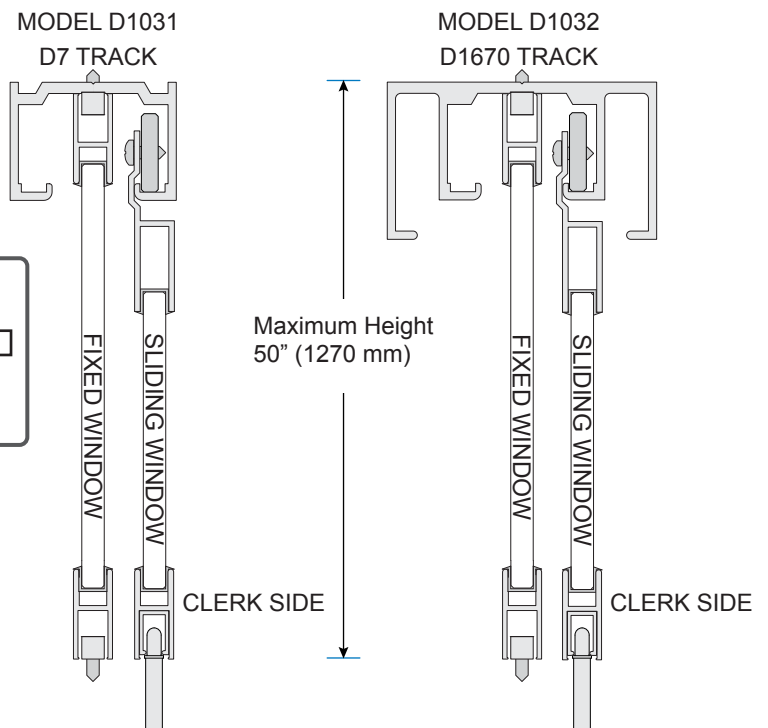
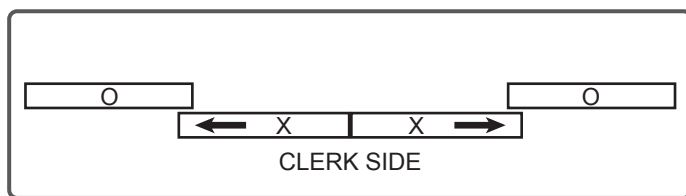
IMPORTANT: READ THIS MANUAL THOROUGHLY BEFORE BEGINNING INSTALLATION.

Contact the CRL Transaction Hardware Department at (800) 421-6144 EXT. 7760
or email transaction@crlaurence.com for questions.

SPECIFICATIONS

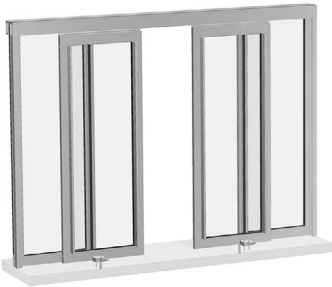
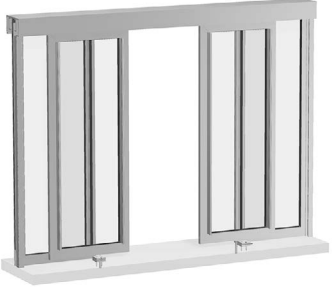
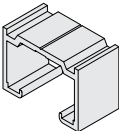
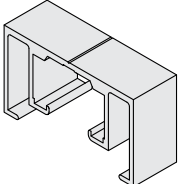

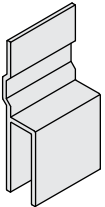
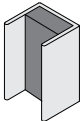
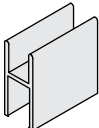
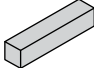
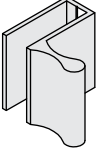
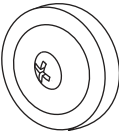
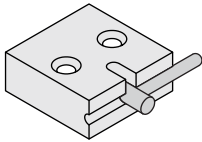
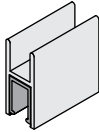
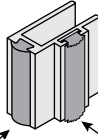
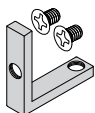
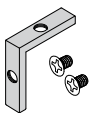
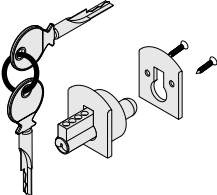

Model D1031 is shown in these instructions.

NOTE: Model D1032 is designed to match storefront subframe.



PARTS LIST

NOTE: Counter by Others

<p>D1031</p>  <p>Diane with D7 Overhead Track</p>		<p>D1032</p>  <p>Diane with D1670 Overhead Track</p>	
<p>D7</p>  <p>Overhead Track (D1031 Models)</p>	<p>D1670</p>  <p>Oversized Overhead Track (D1032 Models)</p>	<p>D35</p>  <p>Retractable Tip Lower Guide</p>	<p>D40</p>  <p>Front Hanger</p>
<p>D606</p>  <p>Single Jamb with Cushion</p>	<p>D610</p>  <p>H-Bar</p>	<p>D637</p>  <p>Mill Bar Stock</p>	<p>D639</p>  <p>Vertical Stile Pull</p>
<p>D679</p>  <p>Nylon Ball Bearing Roller</p>	<p>D812</p>  <p>Low Profile Deck Catch</p>	<p>D1611</p>  <p>H-Bar with Plastic Liner</p>	<p>D1623</p>  <p>Gasket Pile Weather Stripping</p> <p>Overlap Stile with Pile and Gasket</p>
<p>D658WS</p>  <p>Lower Frame Corner with Nylok Screws</p>	<p>D662WS</p>  <p>Upper Frame Corner with Nylok Screws</p>	 <p>Optional Keyed Lock</p>	 <p>Not Included : Fasteners for Perimeter, Bar Stock and Catch</p>

GLASS FABRICATION

Fixed Glass Width = Window Width divided by 4 minus 15/16" (24 mm)

Fixed Glass Height = Window Height minus 1-3/4" (45 mm)

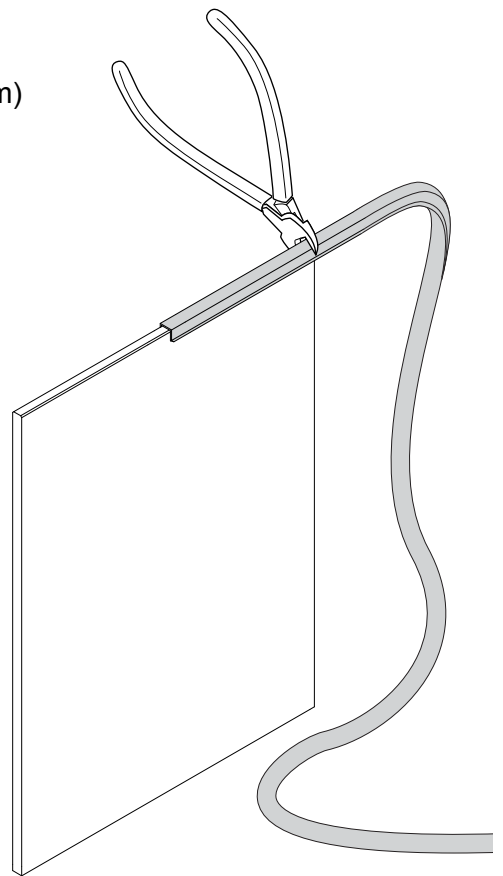
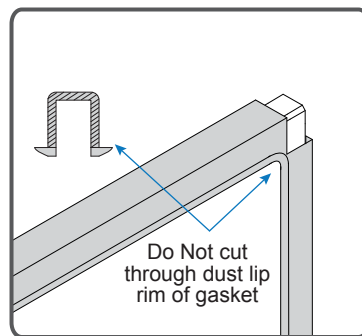
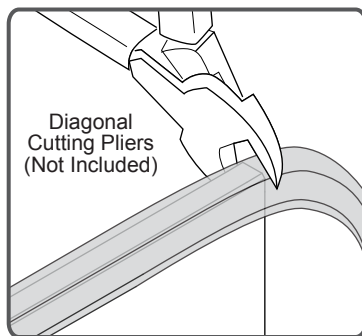
Sliding Glass Width = Window Width divided by 4 minus 1-3/16" (30 mm)

Sliding Glass Height = Window Height minus 3-1/4" (83 mm)

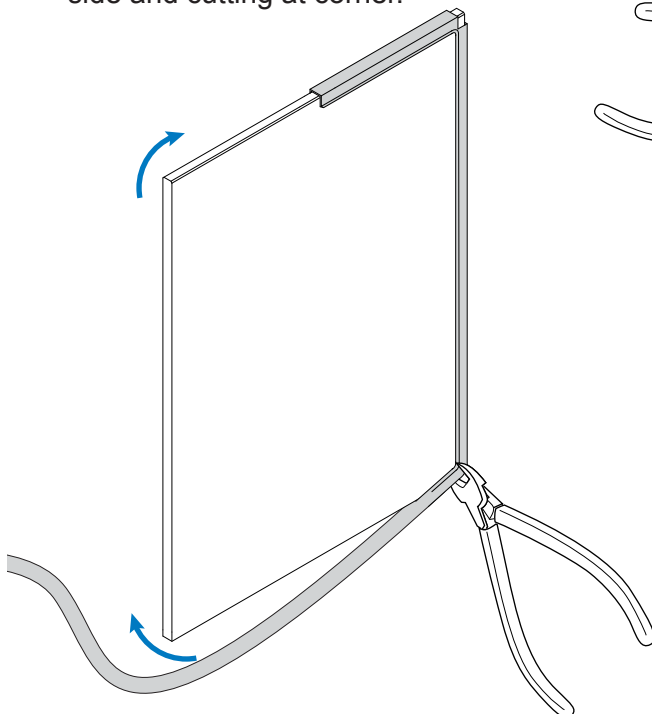
WINDOW ASSEMBLY

1. Install Gasket on Glass

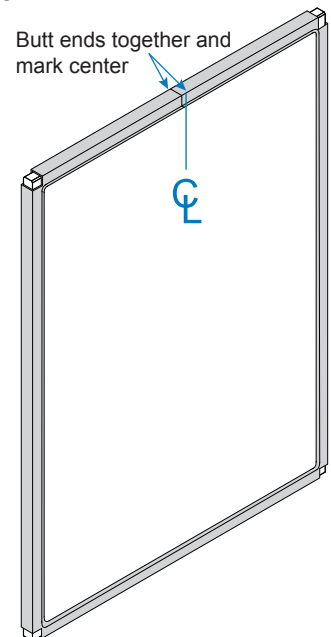
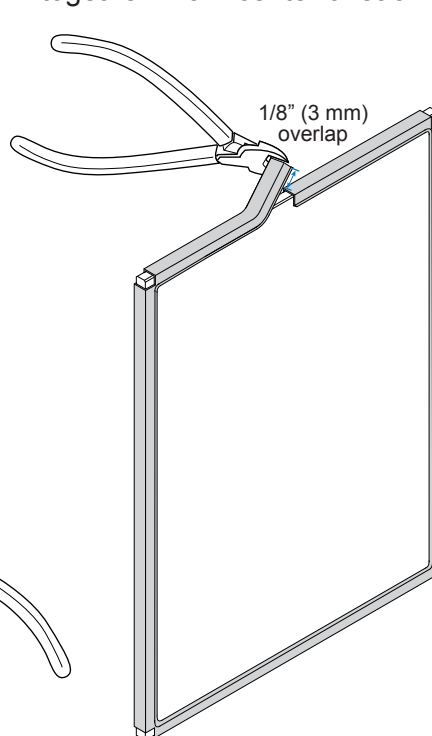
- Ⓐ Fit gasket onto glass at center of the side that will become the top. Smooth to corner and cut a slit through the base of gasket. Do Not cut all the way through to dust lip rims.



- Ⓑ Continue working gasket around edges, smoothing along each side and cutting at corner.



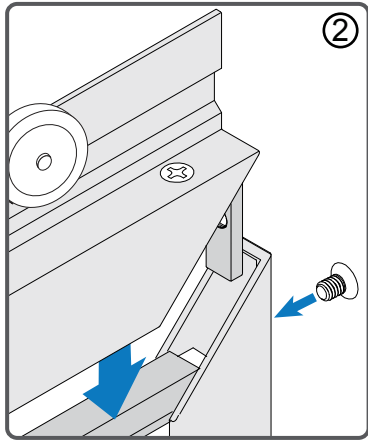
- Ⓒ Overlap ends at top and cut 1/8" (3 mm) excess. Butt ends together. Mark center of each panel.



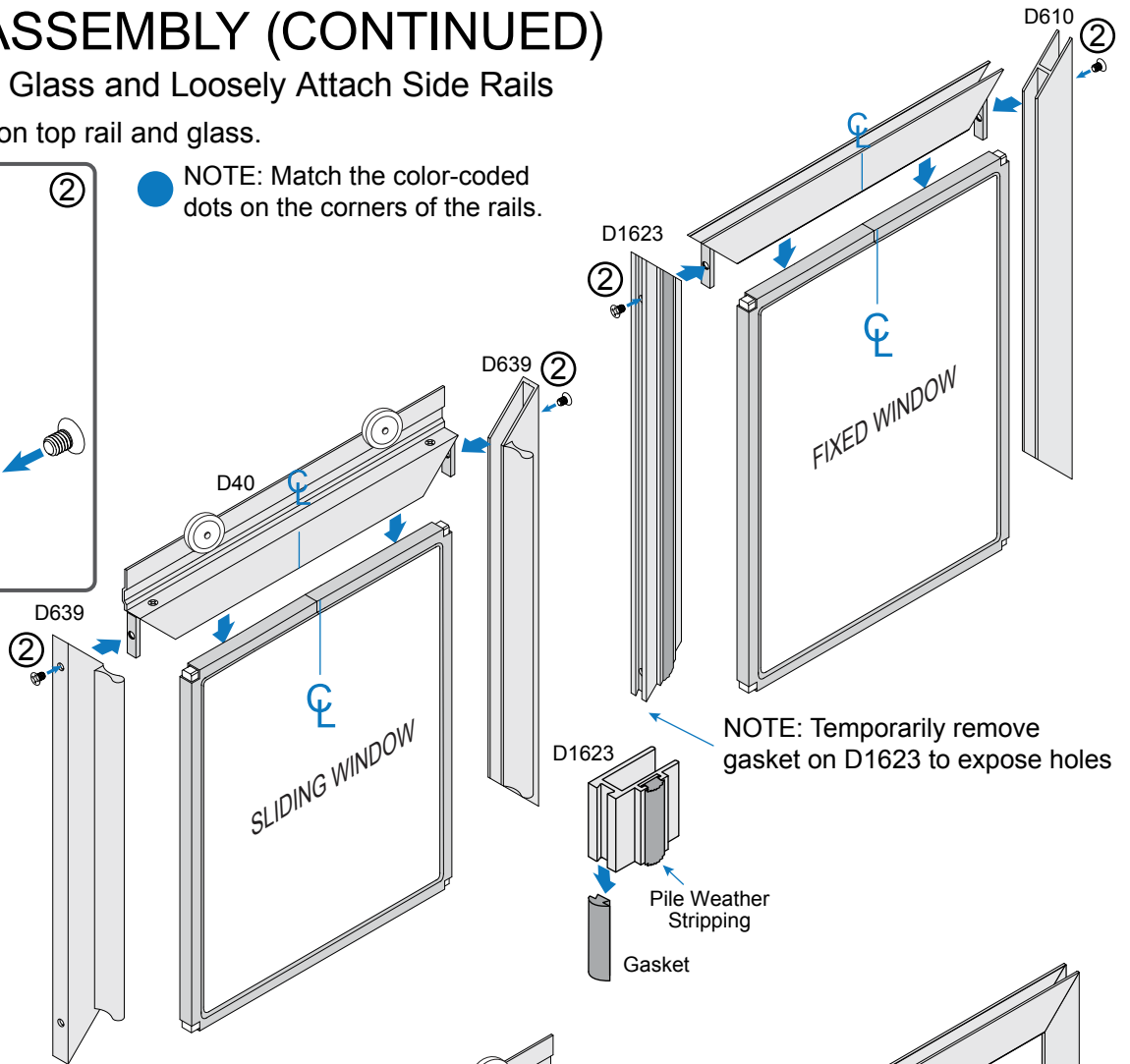
WINDOW ASSEMBLY (CONTINUED)

2. Fit Top Rail on Glass and Loosely Attach Side Rails

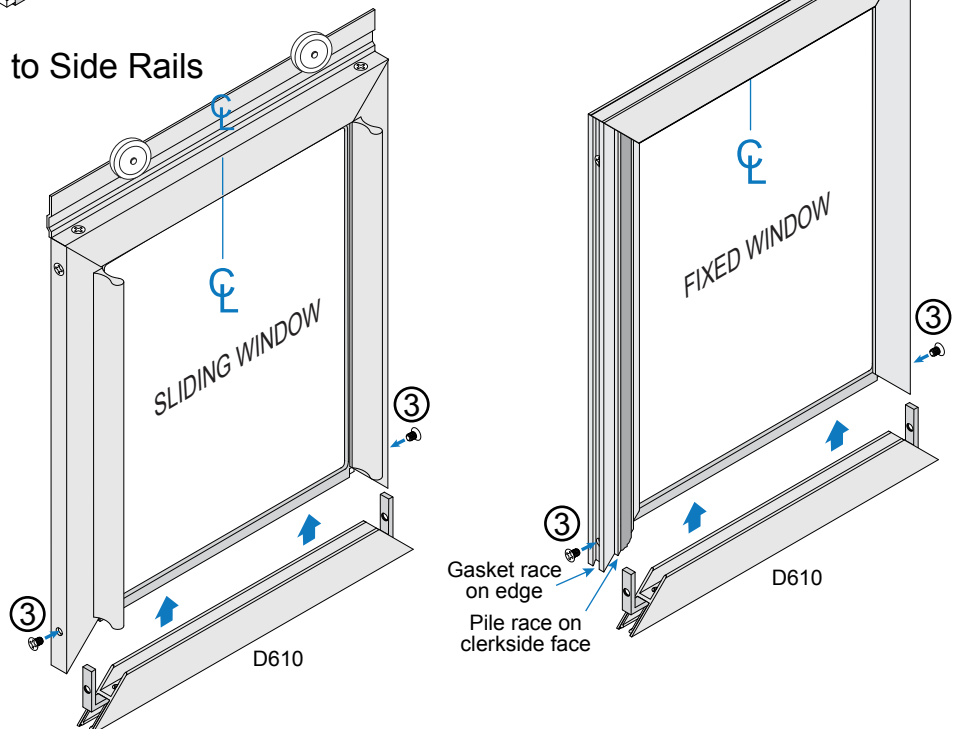
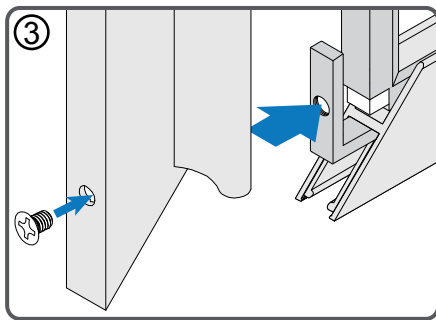
Match center marks on top rail and glass.



NOTE: Match the color-coded dots on the corners of the rails.



3. Loosely Attach Bottom Rail to Side Rails

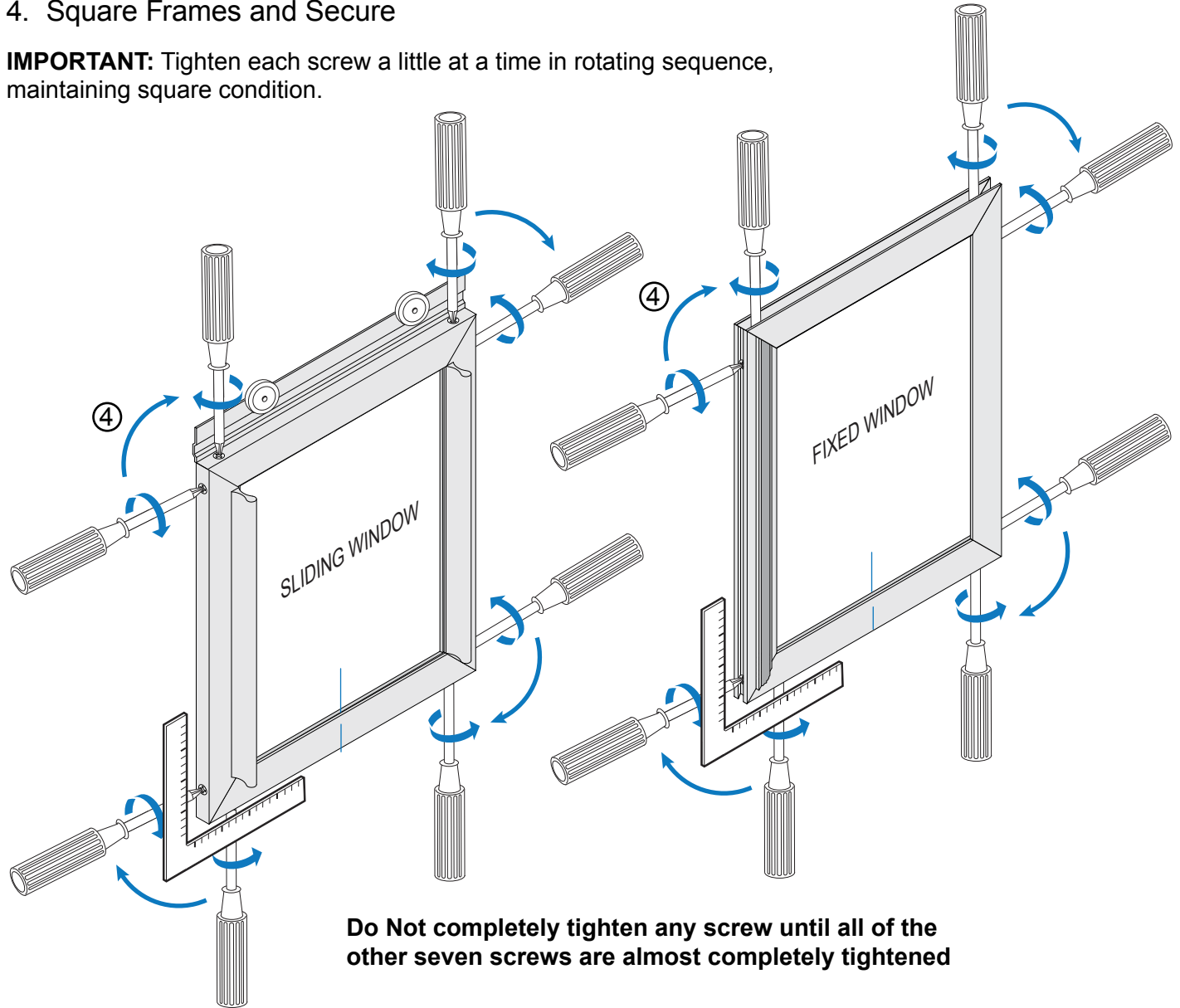


NOTE: Assemble two fixed windows and two sliding windows.

WINDOW ASSEMBLY (CONTINUED)

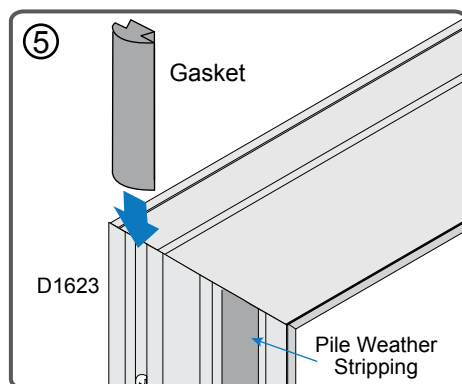
4. Square Frames and Secure

IMPORTANT: Tighten each screw a little at a time in rotating sequence, maintaining square condition.



Do Not completely tighten any screw until all of the other seven screws are almost completely tightened

5. Replace Gasket in outer edge of D1623

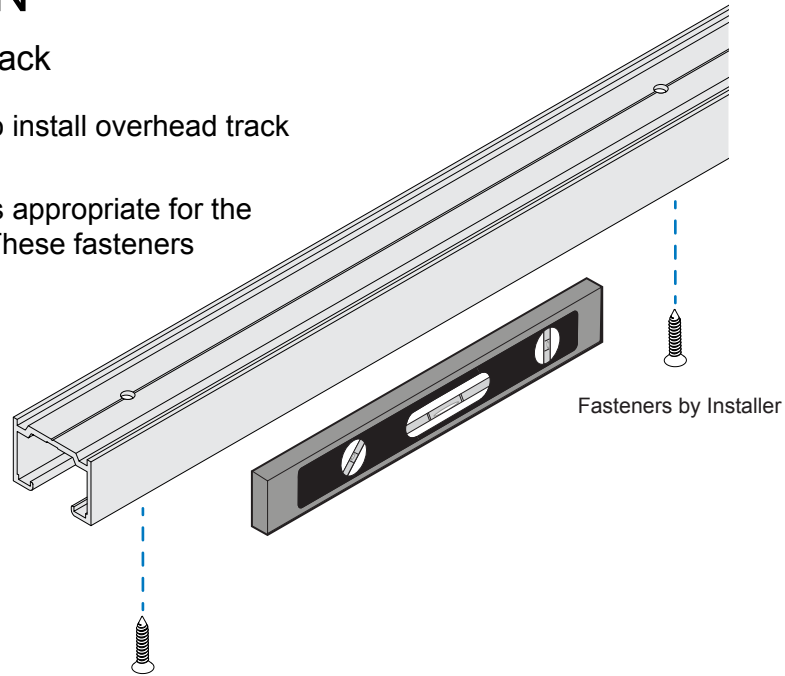


INSTALLATION

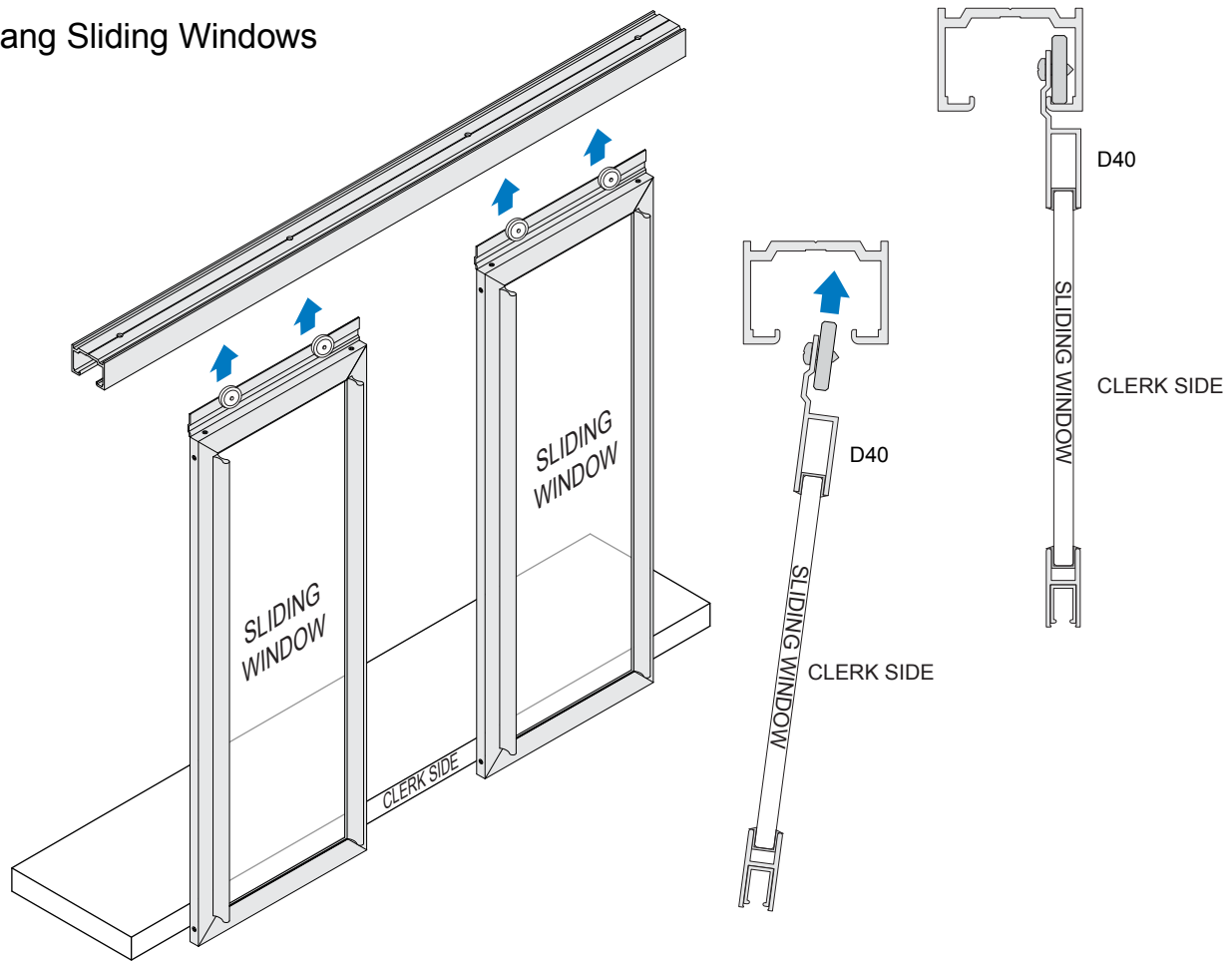
1. Install Overhead Track

Use a level and shims to install overhead track correctly in opening.

NOTE: Use #8 fasteners appropriate for the surrounding substrate. These fasteners not included in kit.



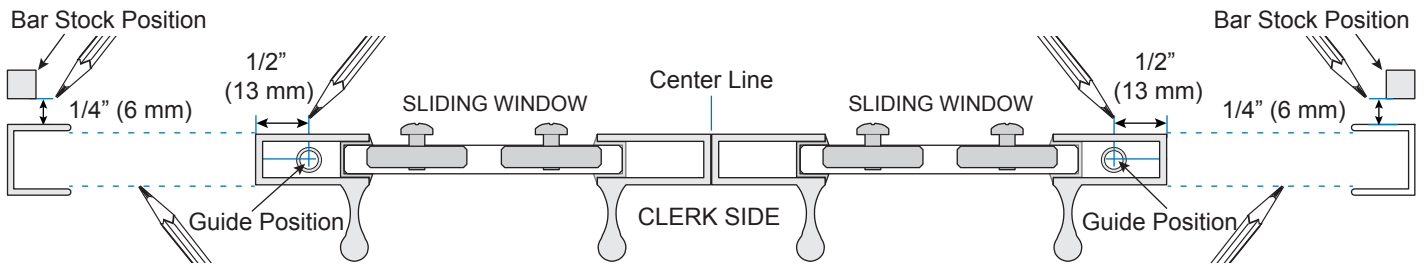
2. Hang Sliding Windows



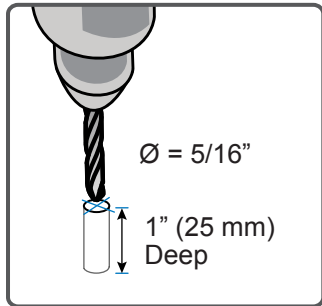
Counter by Others

INSTALLATION (CONTINUED)

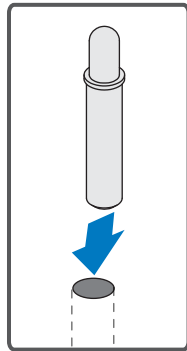
With the windows in closed position, mark placement for retractable guides. Move the windows to the open position to mark placement for the jambs and fixed window bar stock. Remove the sliding windows before installing retractable guides, jambs, and bar stock.



3. Install Retractable Guides

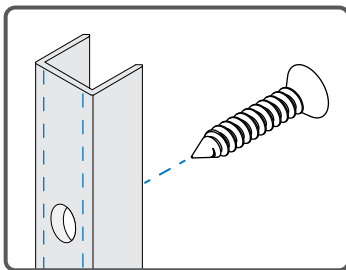


Drill 1" (25 mm) depth hole with 5/16" drill bit.

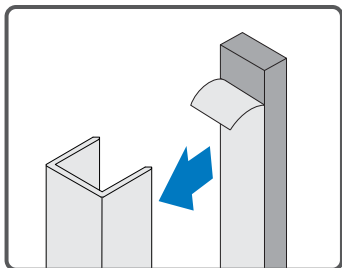


Insert guide in hole.

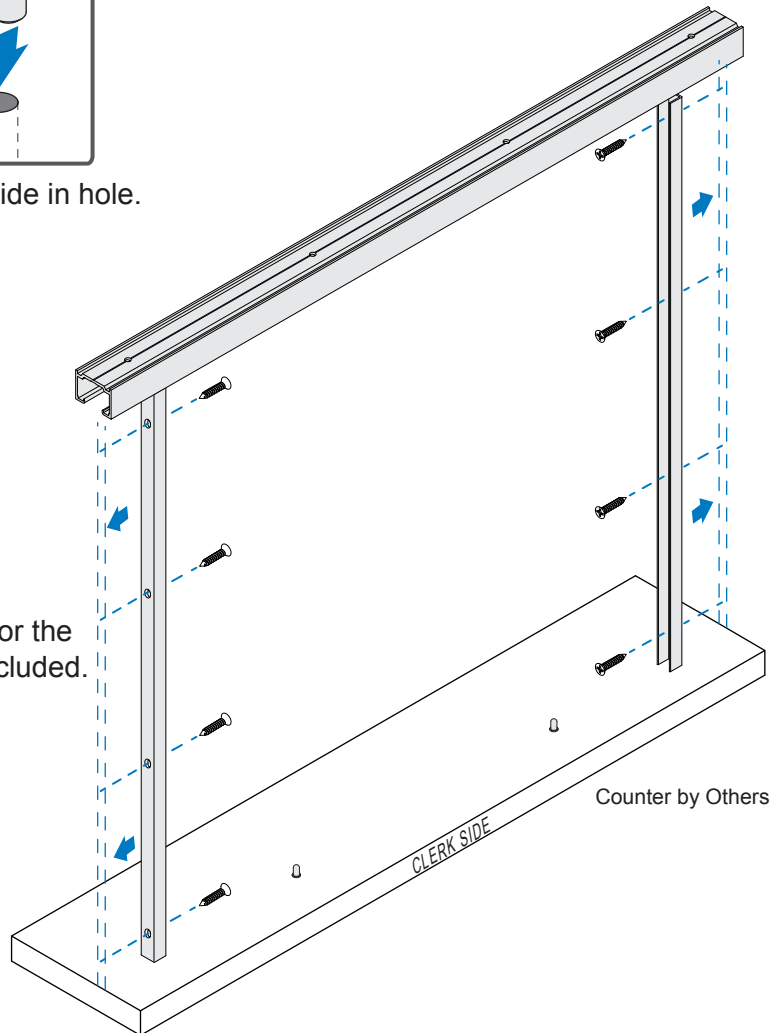
4. Install Jambs



Secure using #6 fasteners appropriate for the surrounding substrate. Fasteners not included.



Remove backing and install rubber insert.

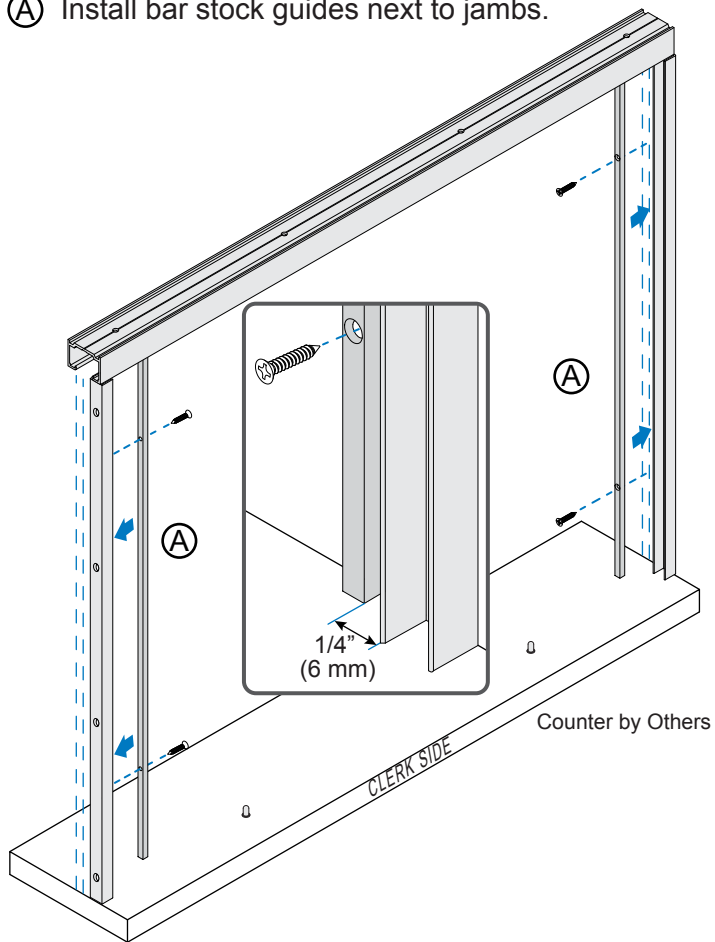


INSTALLATION (CONTINUED)

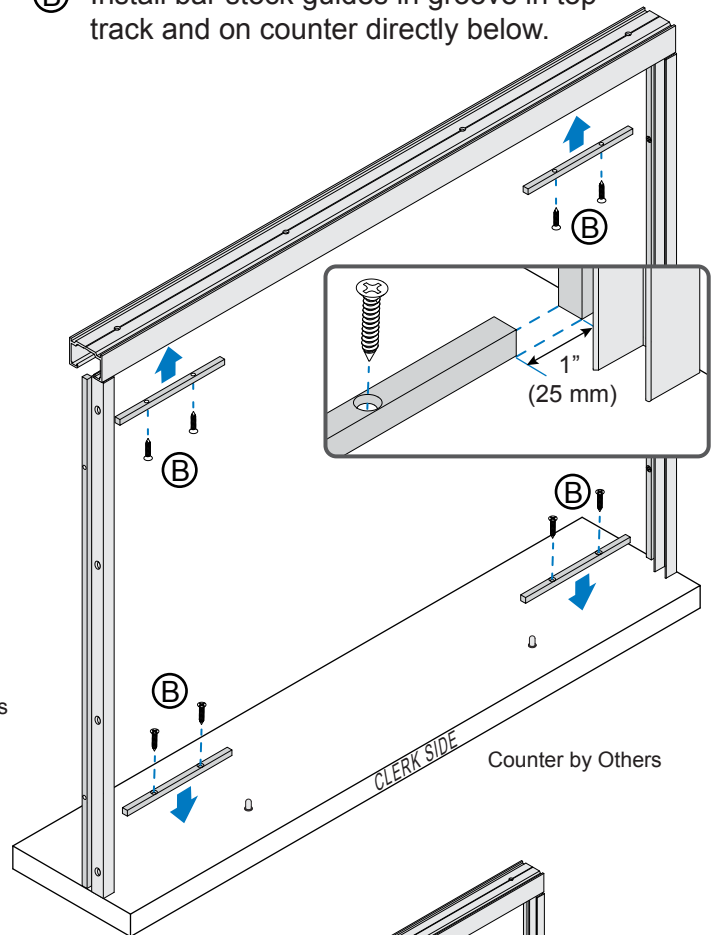
5. Install Fixed Windows

NOTE: Use fasteners appropriate for the surrounding substrate. Fasteners not included.

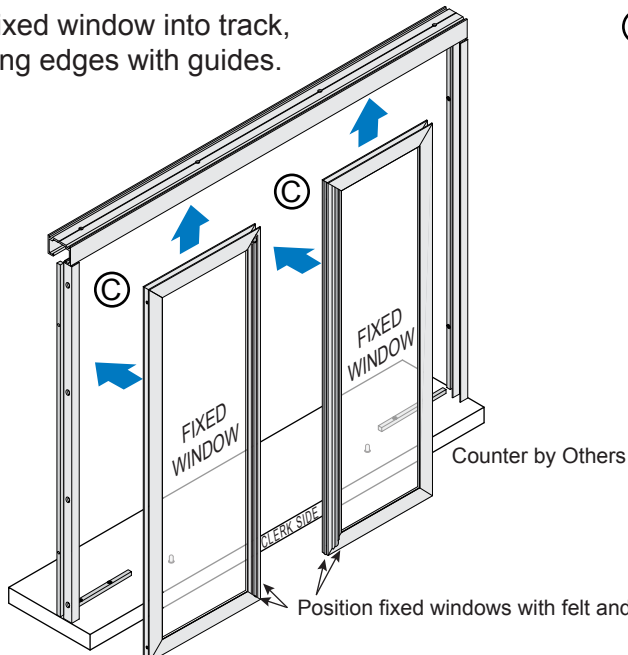
(A) Install bar stock guides next to jambs.



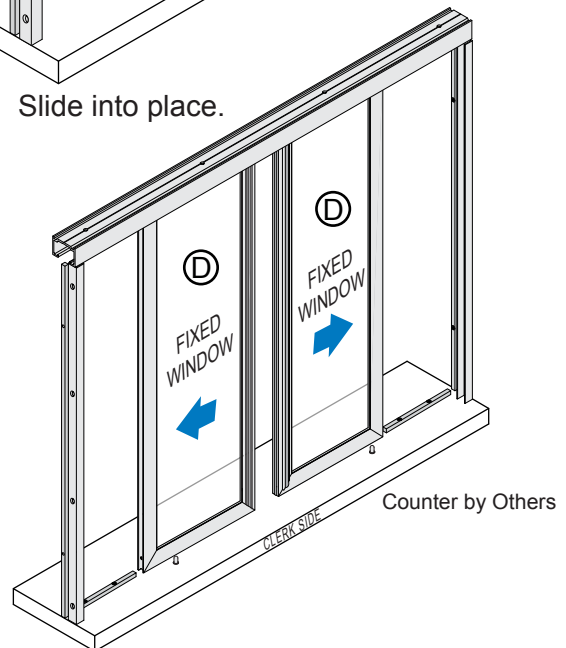
(B) Install bar stock guides in groove in top track and on counter directly below.



(C) Fit fixed window into track, lining edges with guides.



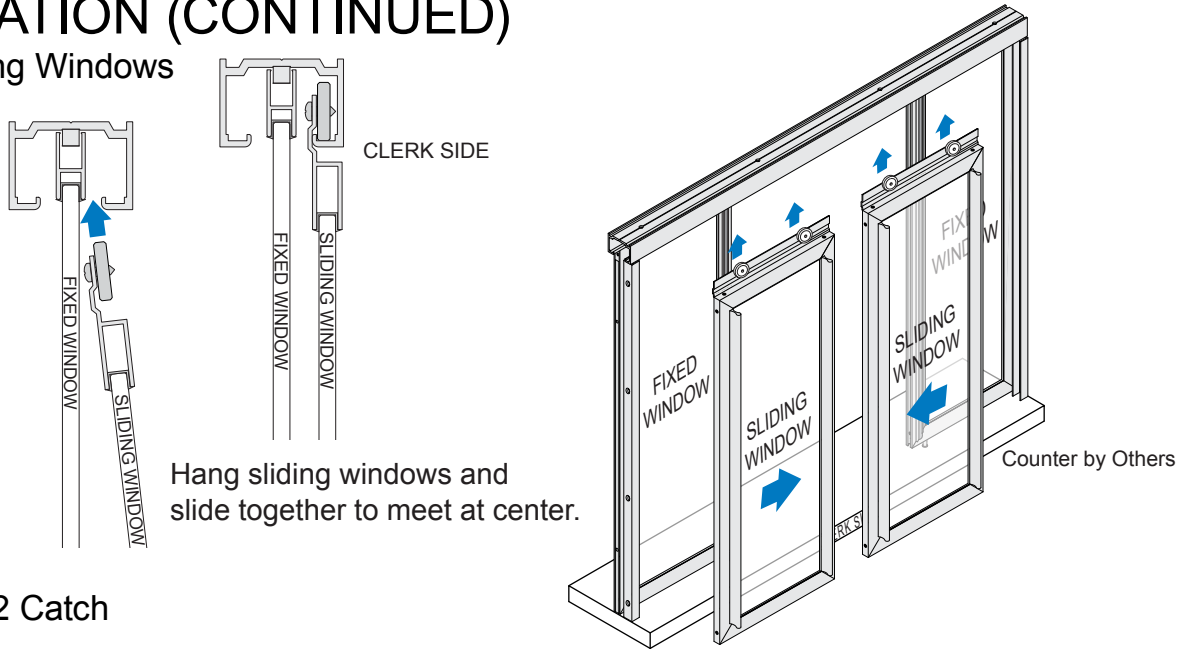
(D) Slide into place.



NOTE: If fixed panel is too loose, apply silicone sealant to top of lower bar stock.

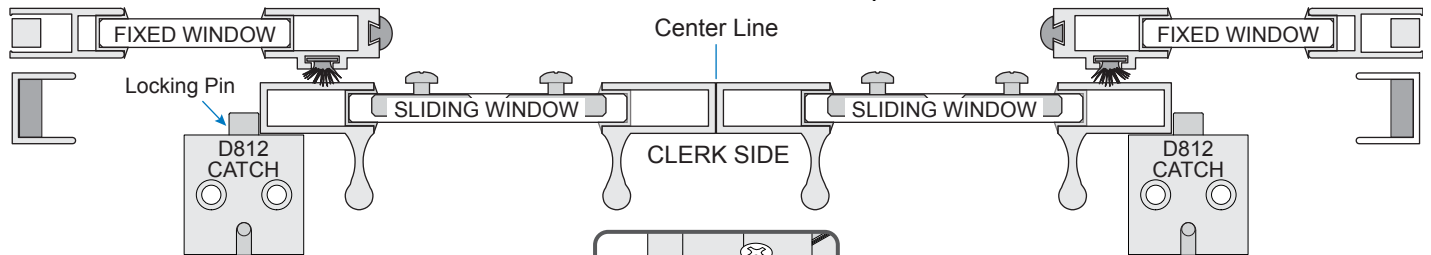
INSTALLATION (CONTINUED)

6. Hang Sliding Windows

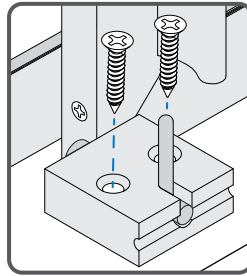


Hang sliding windows and slide together to meet at center.

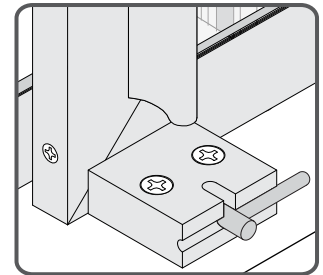
7. Install D812 Catch



Align D812 catch so locking pin sits against back edge of sliding window. Repeat on opposite sliding window.



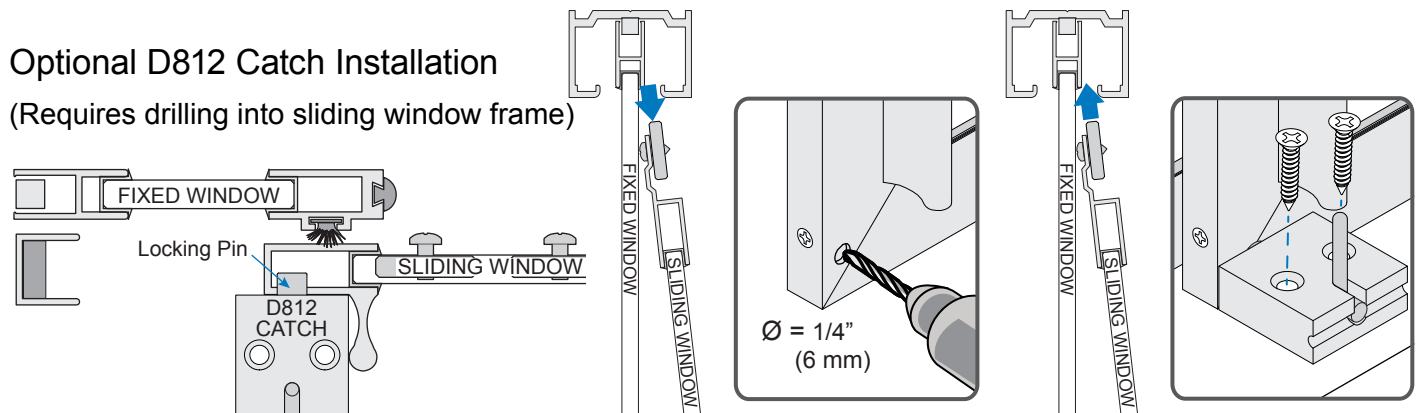
Secure using fasteners appropriate for counter substrate. Fasteners not included.



Unlock catch to open sliding windows.

Optional D812 Catch Installation

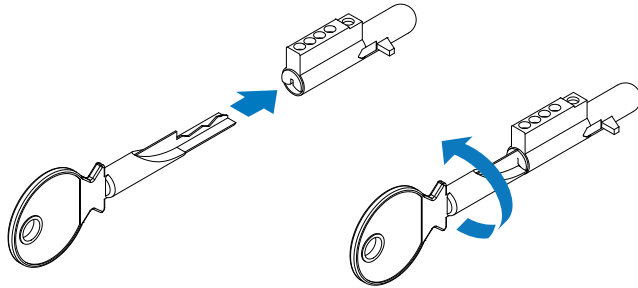
(Requires drilling into sliding window frame)



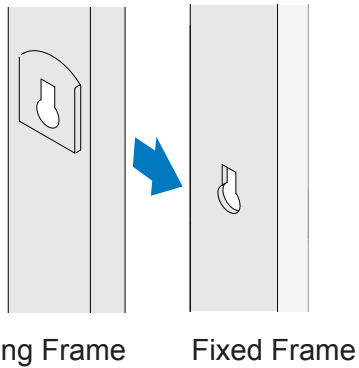
Remove windows to drill 1/4" (6 mm) hole in bottom corner. Hang windows and align D812 catch so locking pin engages. Secure using fasteners appropriate for counter substrate. Fasteners not included.

OPTIONAL KEYED LOCK OPERATION

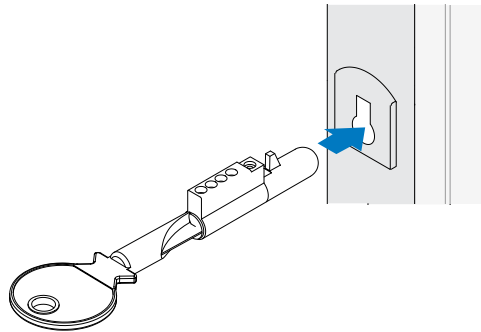
Ⓐ Insert key into lock cylinder and turn to unlock.



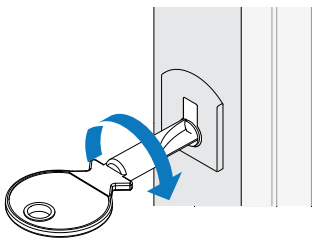
Ⓑ Align sliding frame and jamb.



Ⓒ Insert key and cylinder.



Ⓓ Turn to locked position.



Ⓔ Remove key.

