

INSTALLATION INSTRUCTIONS

CRL JACKSON 1295 RIM PANIC EXIT DEVICE



Phone: (800) 421-6144 • Fax: (866) 921-0531
crlaurence.com • usalum.com • crl-arch.com

ORDER OF ASSEMBLY AND INSTALLATION

Tools Required	02
Parts Identification	03 - 04
Door Preparation	05 - 08
Remove Door	05
1295 Rim Panic Exit Device Installation	06
1295 Rim Panic Exit Device Installation with Optional Rim Lock Cylinder	07
1295 Rim Panic Exit Device Installation with Optional Exterior Trim and Rim Cylinder	08
Door Hardware Installation	09 - 13
Installation of Optional Rim Cylinder	09
Installation of External Trim (Optional)	10
Installation of 1295 Rim Panic Exit Device	11
Installation of End Caps and Cover Plates	12
Frame Preparation	13
Dogging Pin Options	14
Packaged Parts Available	15

Tools Required

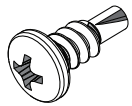
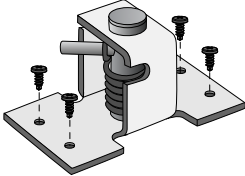

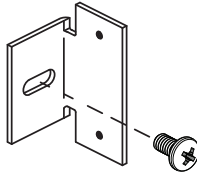

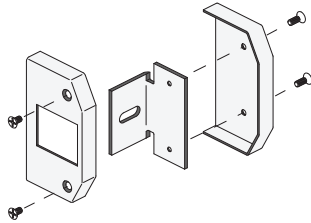
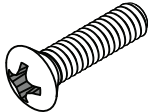
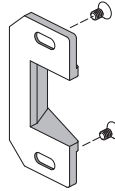
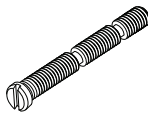
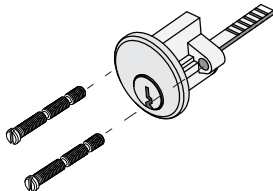

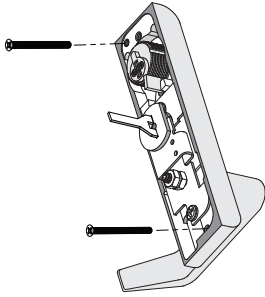
Drill bits: 5/8", 11/64", 13/64", 1-13/32"	Framing square/straight edge
Tap: 1/4" x 20	1/2" Masking tape
Tape measure	Center punch
Saw horses	Flat File
Drill	Round File
Phillips #2 screwdriver	Jigsaw with metal cutting blade
Standard screwdriver	

NOTE: Any modifications, other than those specified in this document, could result in this product's failure to meet UL safety ratings and void the manufacturer's warranties.

The rapidly changing technology within the architectural aluminum products industry demands that U.S. Aluminum reserve the right to revise, discontinue or change any product line, specification or electronic media without prior written notice.

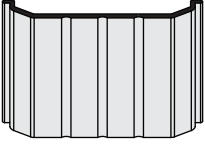
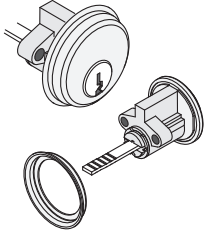
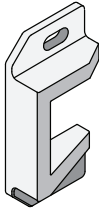
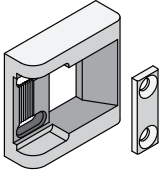
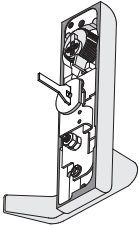
NOTE: Dimensions in parentheses () are millimeters unless otherwise noted.

PARTS IDENTIFICATION

FASTENERS PROVIDED					
CALL OUT	QTY.	FASTENER	FASTENER DESCRIPTION	PART	USED WITH PART NUMBER
(A)	4		3/16" Pan Head Screw		302670 Dogging Assembly
(B)	1		1/4"-20 x 1/2" Pan Head SMS		Base End Plate (Included in 302654 Base Cover Plate Pkg.)
(C)	4		8-32 x 1/4" FHMS		302654 Base Cover Plate Pkg.
(D)	2		10-24 x 5/8" Oval Head Screw		302436 "C" Type Surface Mounted Strike
(E)	2		1-7/8" (47.6 mm)		DL911 Rim Key Cylinder
(F)	2		10-32 x 2-1/8" FHMS		9500LV02 Flat Handle Lever Trim 9500LV01 Round Handle Lever Trim

NOTE: Any modifications to this product, other than those specified in this document may void the warranty as this product will no longer meet the UL safety rating requirements this product was tested and intended for.

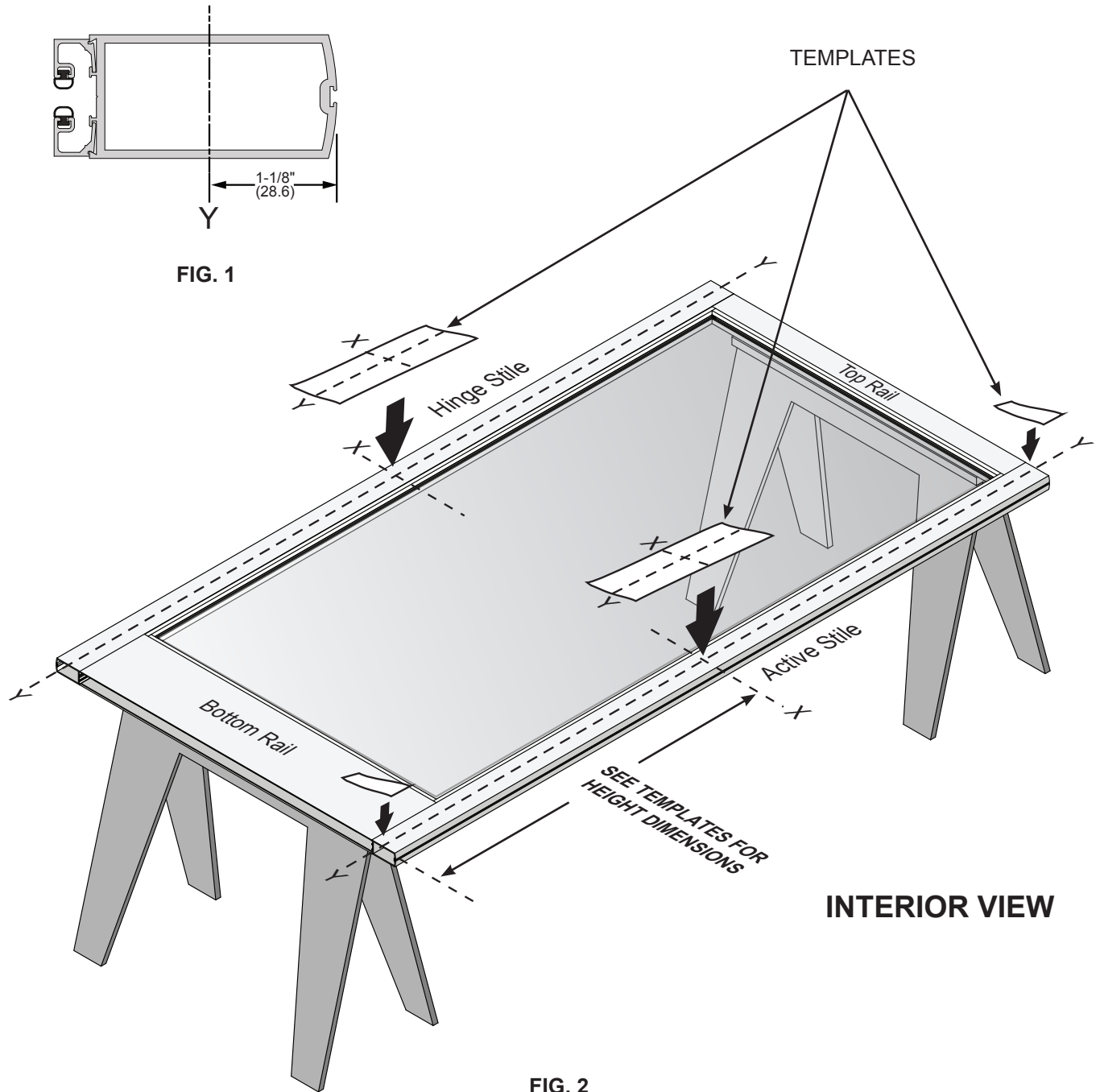
PARTS IDENTIFICATION

PARTS LIST				
CALL OUT	QTY.	PART	PART NO.	DESCRIPTION
Ⓒ	1		302674 and 30267448	Cover Plate
Ⓗ	1		DL911	Optional Rim Key Cylinder
Ⓘ	1		302436	"C" Type Surface Mounted Strike
Ⓙ	1		302501	"S" Type Surface Mounted Strike
Ⓚ	1		9500LV02/ 9500LV01	9500LV02 Flat Handle Lever Trim (Shown) 9500LV01 Round Handle Lever Trim (Similar)

DOOR PREPARATION

REMOVE DOOR

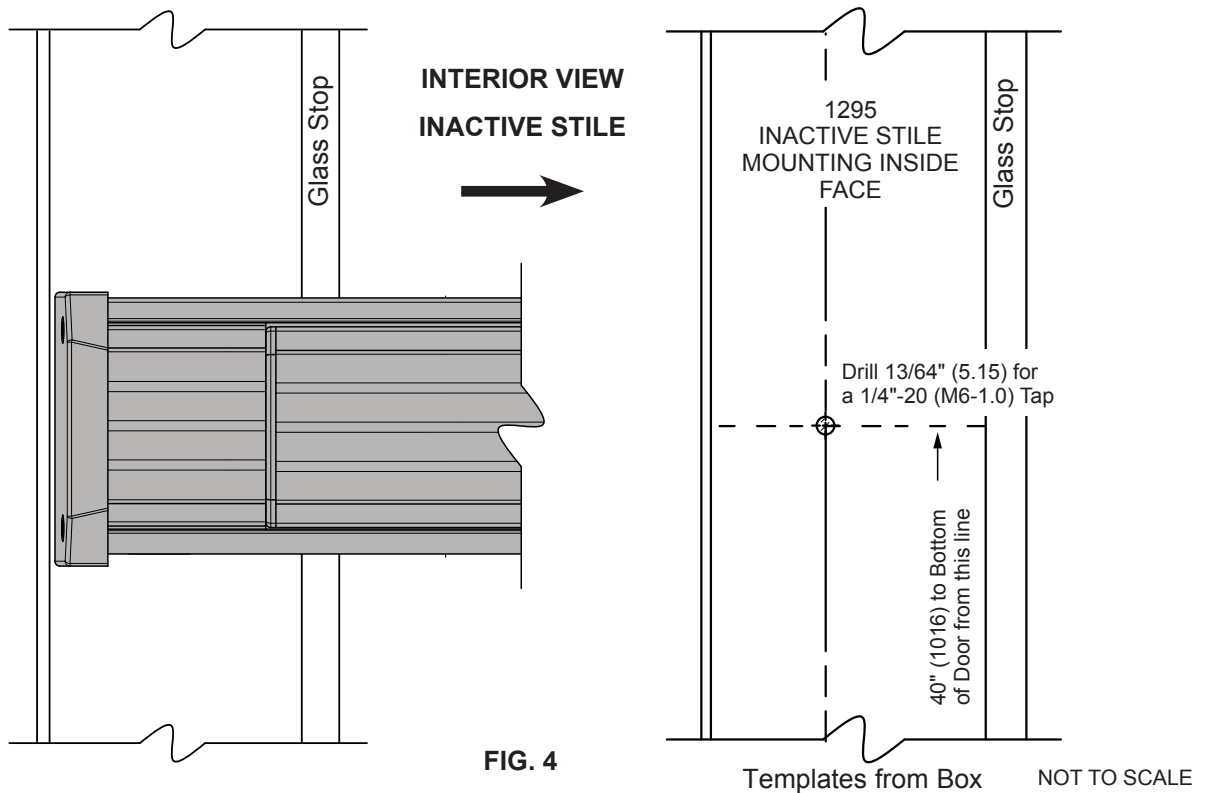
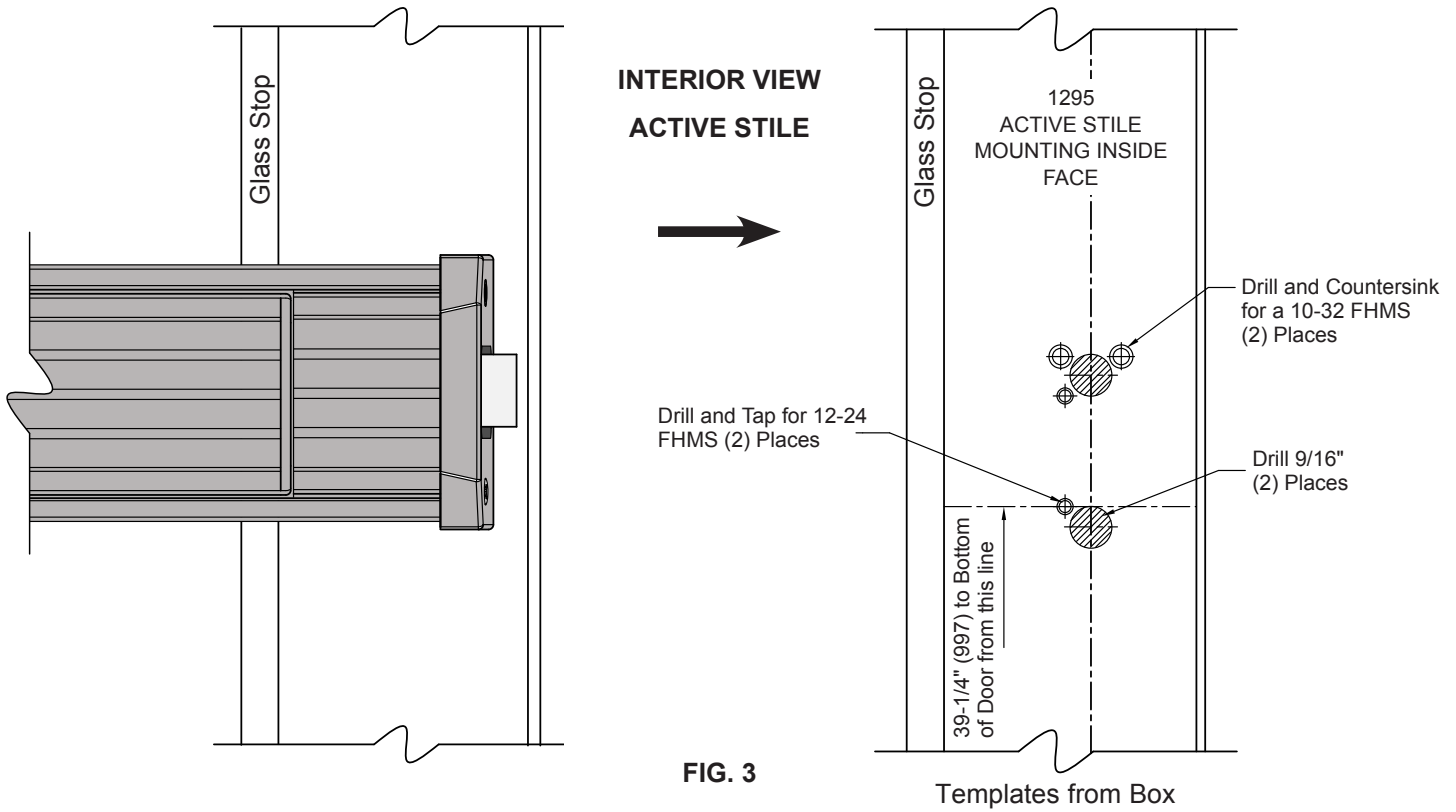
1. Place door horizontally on stands, interior side up.
2. Mark stile centerlines Y-lines, 1-1/8" (28.6) from outside edge for all stile widths. (Fig. 1)
3. Mark stile X-lines per template instructions. (Fig. 2)
4. Attach corresponding templates. (Fig. 2)



NOT TO SCALE

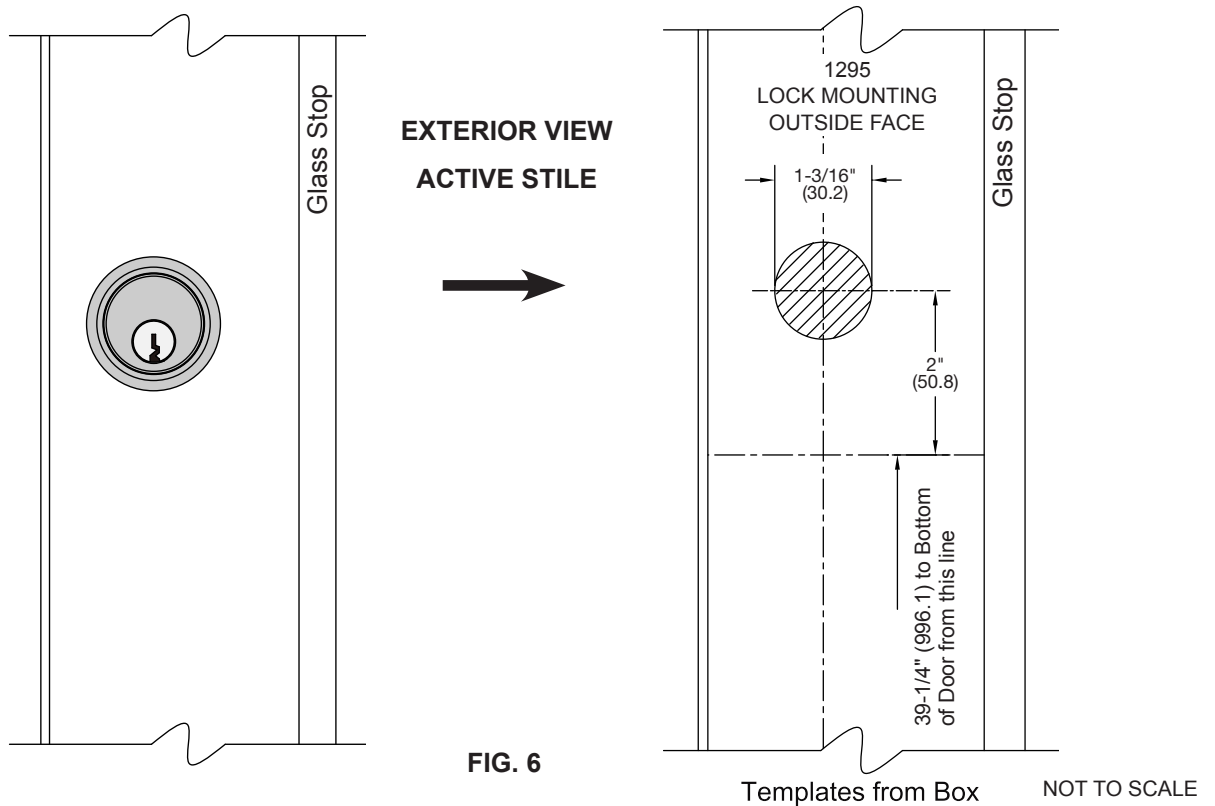
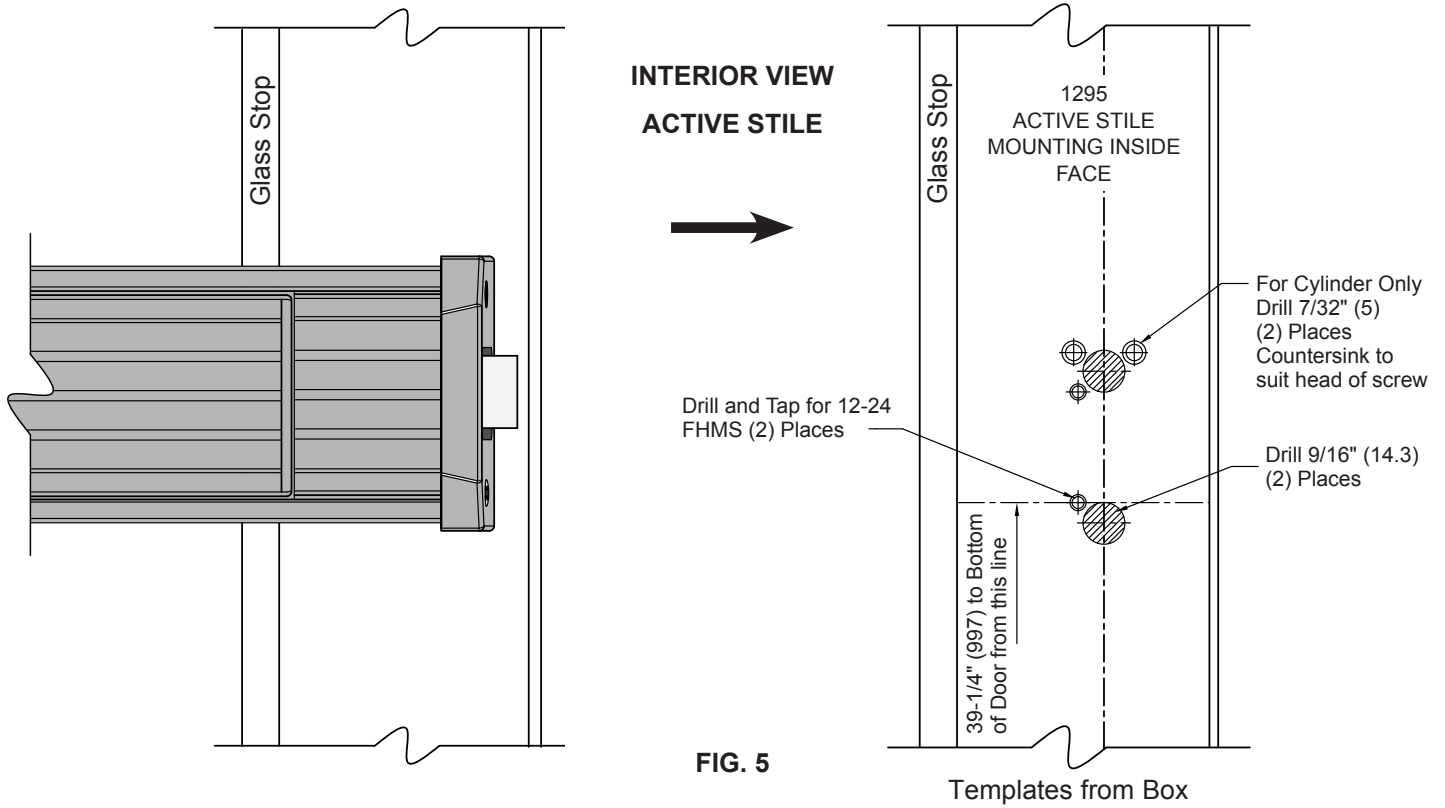
DOOR PREPARATION – LAYOUT SELECTION

1295 RIM PANIC EXIT DEVICE INSTALLATION



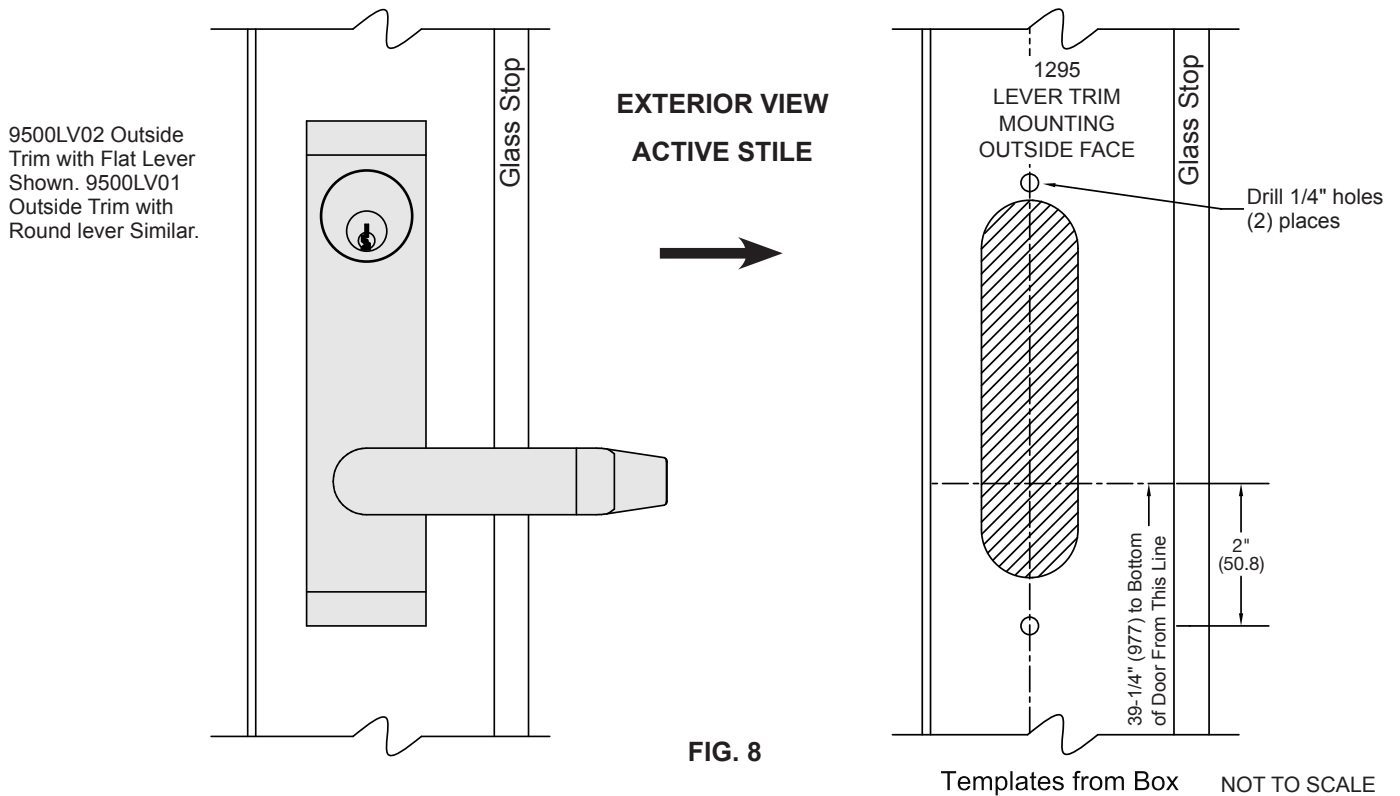
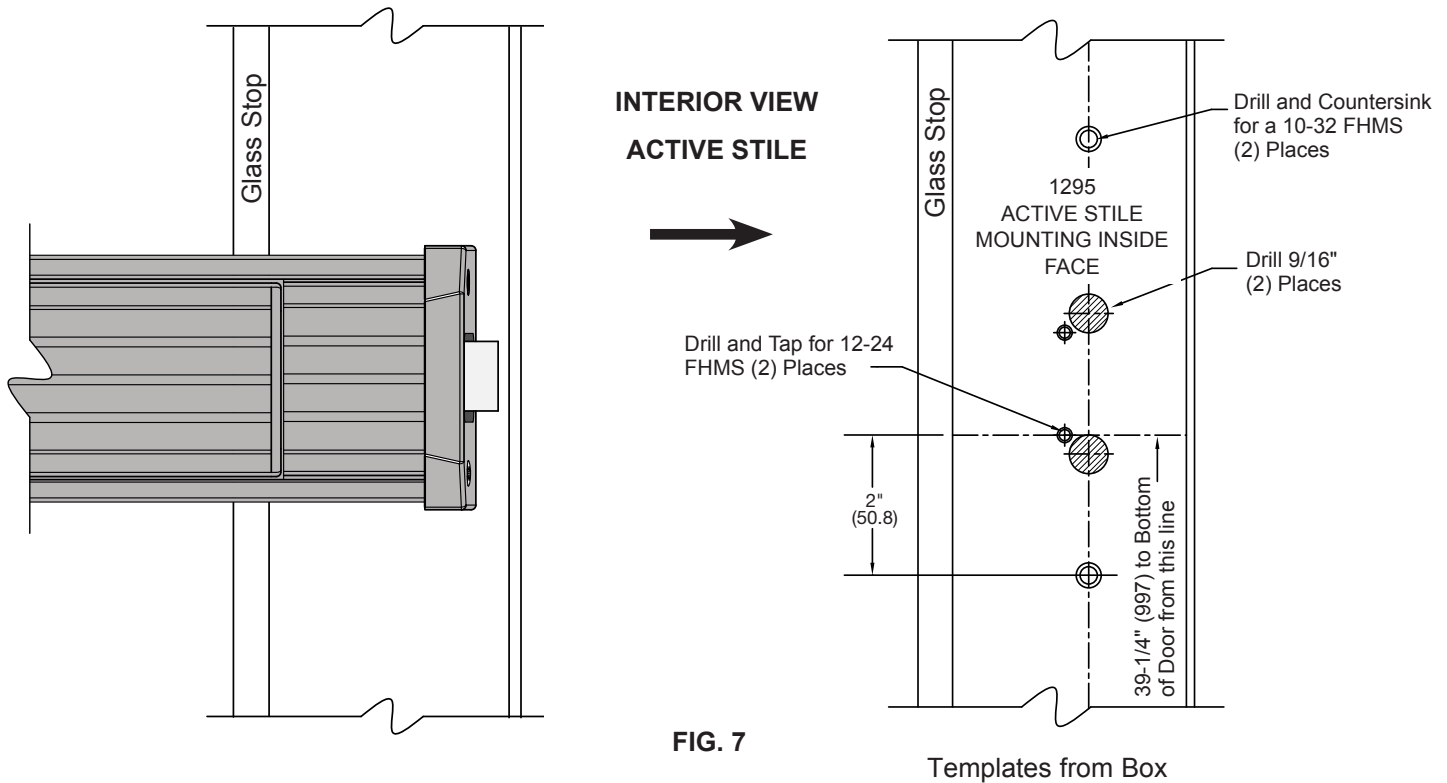
DOOR PREPARATION – LAYOUT SELECTION

1295 RIM PANIC EXIT DEVICE INSTALLATION WITH OPTIONAL RIM LOCK CYLINDER



DOOR PREPARATION – LAYOUT SELECTION

1295 RIM PANIC EXIT DEVICE INSTALLATION WITH OPTIONAL EXTERIOR TRIM AND RIM CYLINDER



DOOR HARDWARE INSTALLATION

INSTALLATION OF OPTIONAL RIM CYLINDER

NOTE: Optional Rim Cylinder must be installed before attaching exit device.

1. Attach the Rim Cylinder on door stile with (2) 1-7/8" (47.6 mm) Breakaway Screws provided. Fig. 9

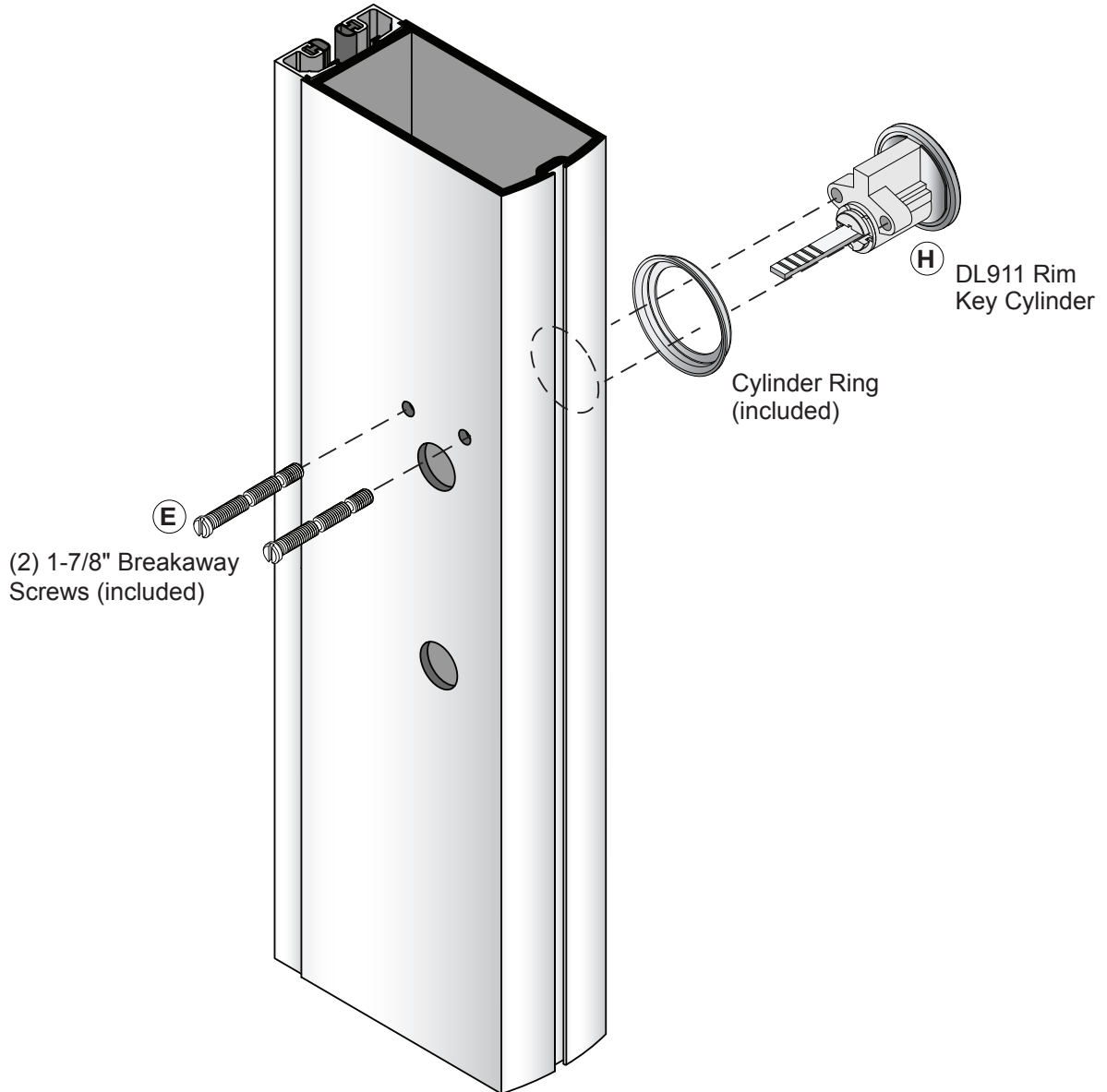


FIG. 9

DOOR HARDWARE INSTALLATION (CONTINUED)

INSTALLATION OF EXTERNAL TRIM (OPTIONAL)

NOTE: Exterior trim must be installed before attaching exit device.

1. Attach the exterior trim with (F) (2) #10 x 2-1/8" Flat head screws provided shown in Fig. 10.

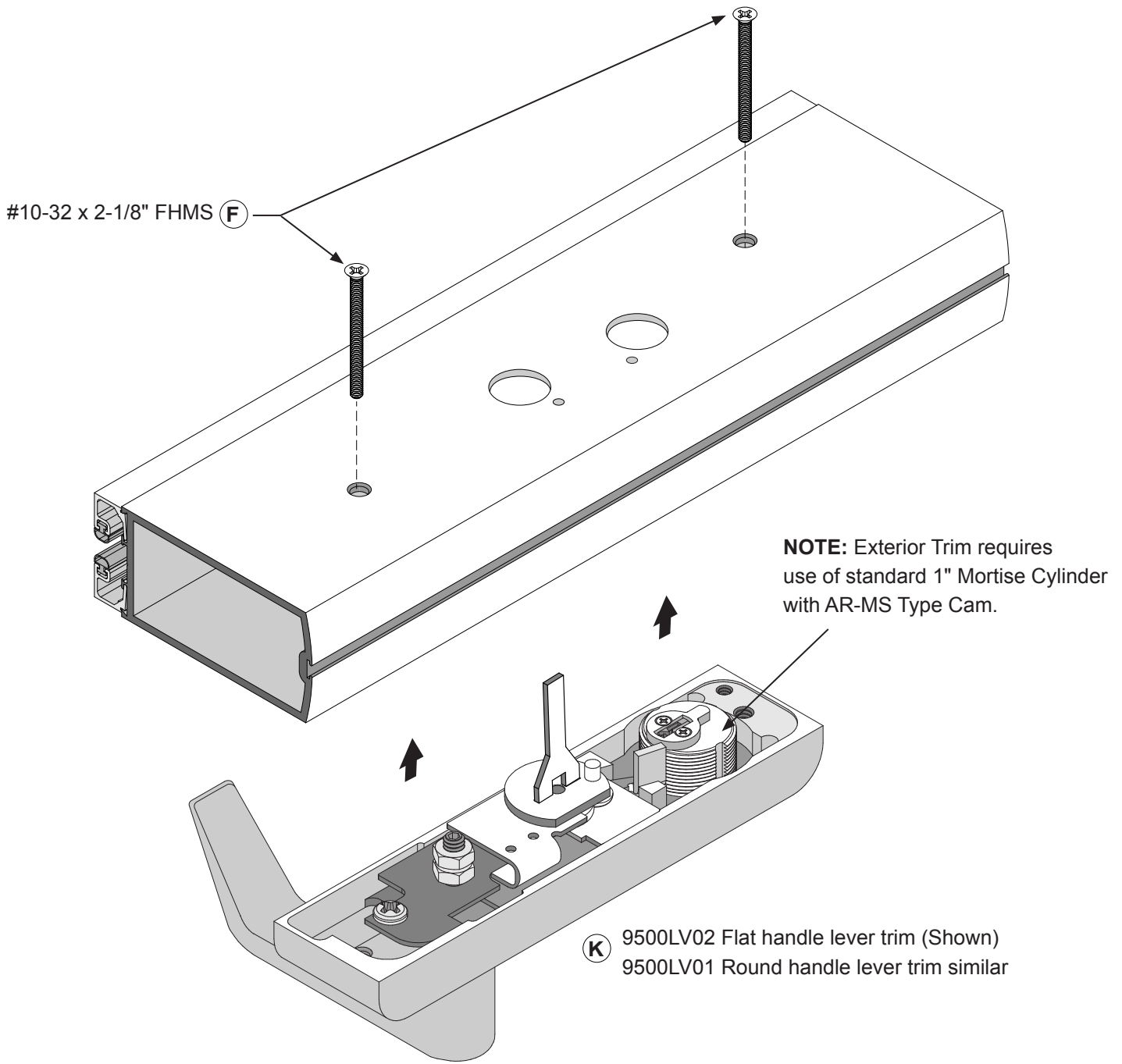


FIG. 10

NOT TO SCALE

DOOR HARDWARE INSTALLATION (CONTINUED)

INSTALLATION OF 1295 RIM PANIC EXIT DEVICE

1. Attach exit panic device to door with **(C)** (2) 12-24 x 3/4" FHMS on active stile and **(B)** (1) 1/4"-20 x 1/2" PHSMS at end cap bracket on inactive stile as shown in Fig. 11.

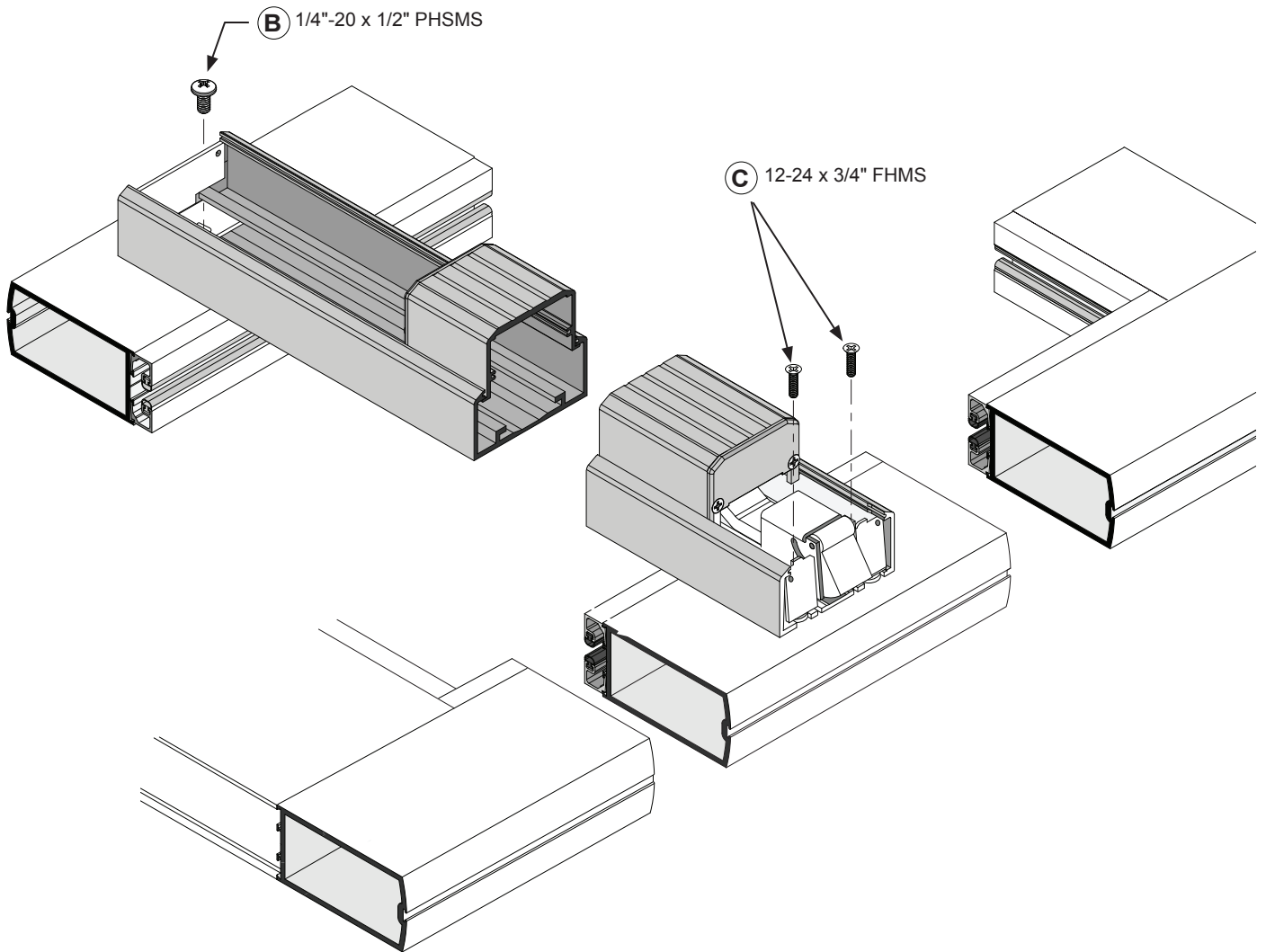


FIG. 11

NOT TO SCALE

DOOR HARDWARE INSTALLATION (CONTINUED)

INSTALLATION OF END CAPS AND COVER PLATES

1. Slide the (2) base cover plates (G) 302674 and 30267448 in place.
2. Attach both end caps to the previously attached end cap brackets with (C) (4) 8-32 x 1/4" FHMS Refer to (Fig.12).

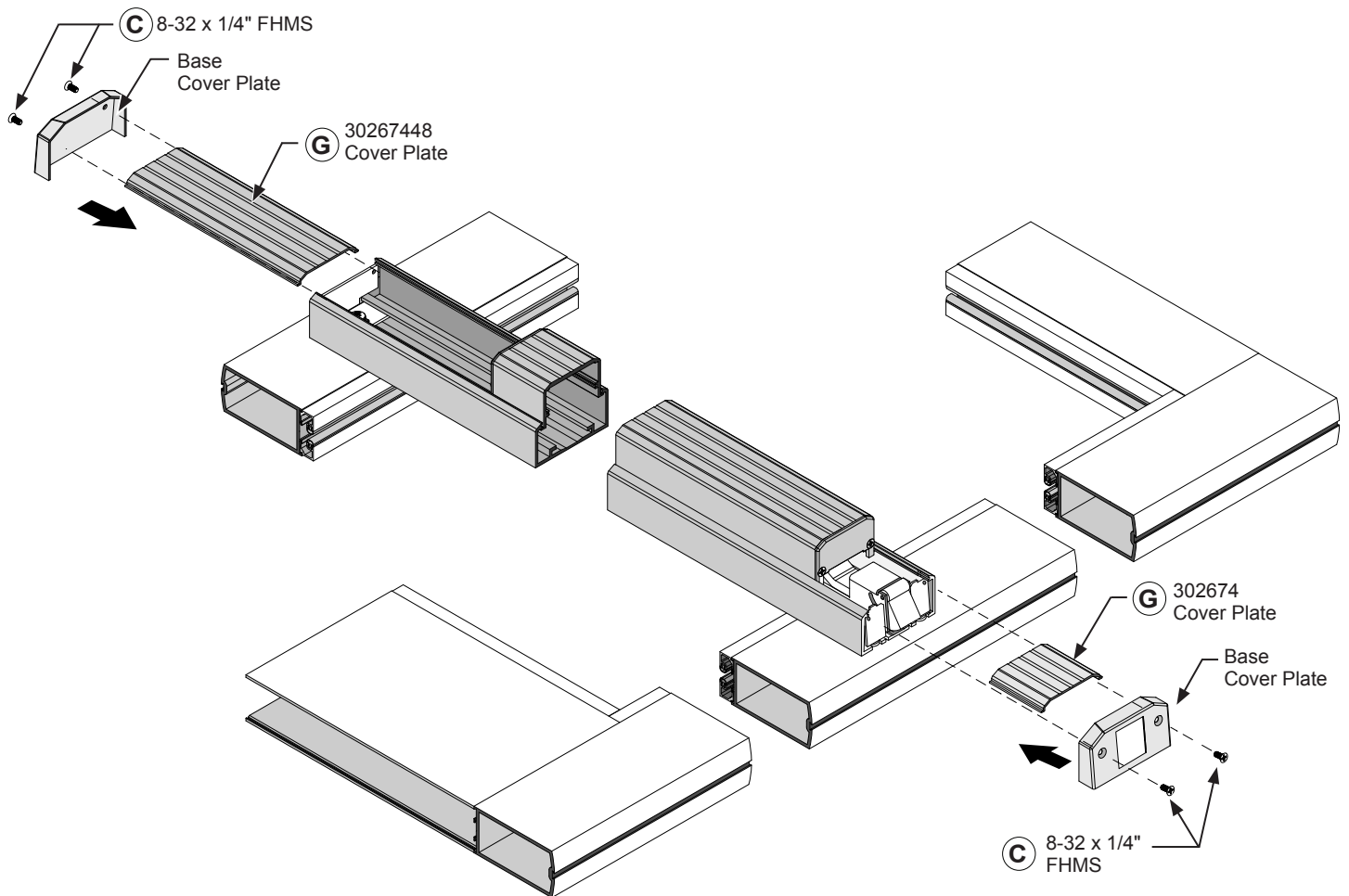


FIG. 12

NOT TO SCALE

DOOR HARDWARE INSTALLATION (CONTINUED)

FRAME PREPARATION

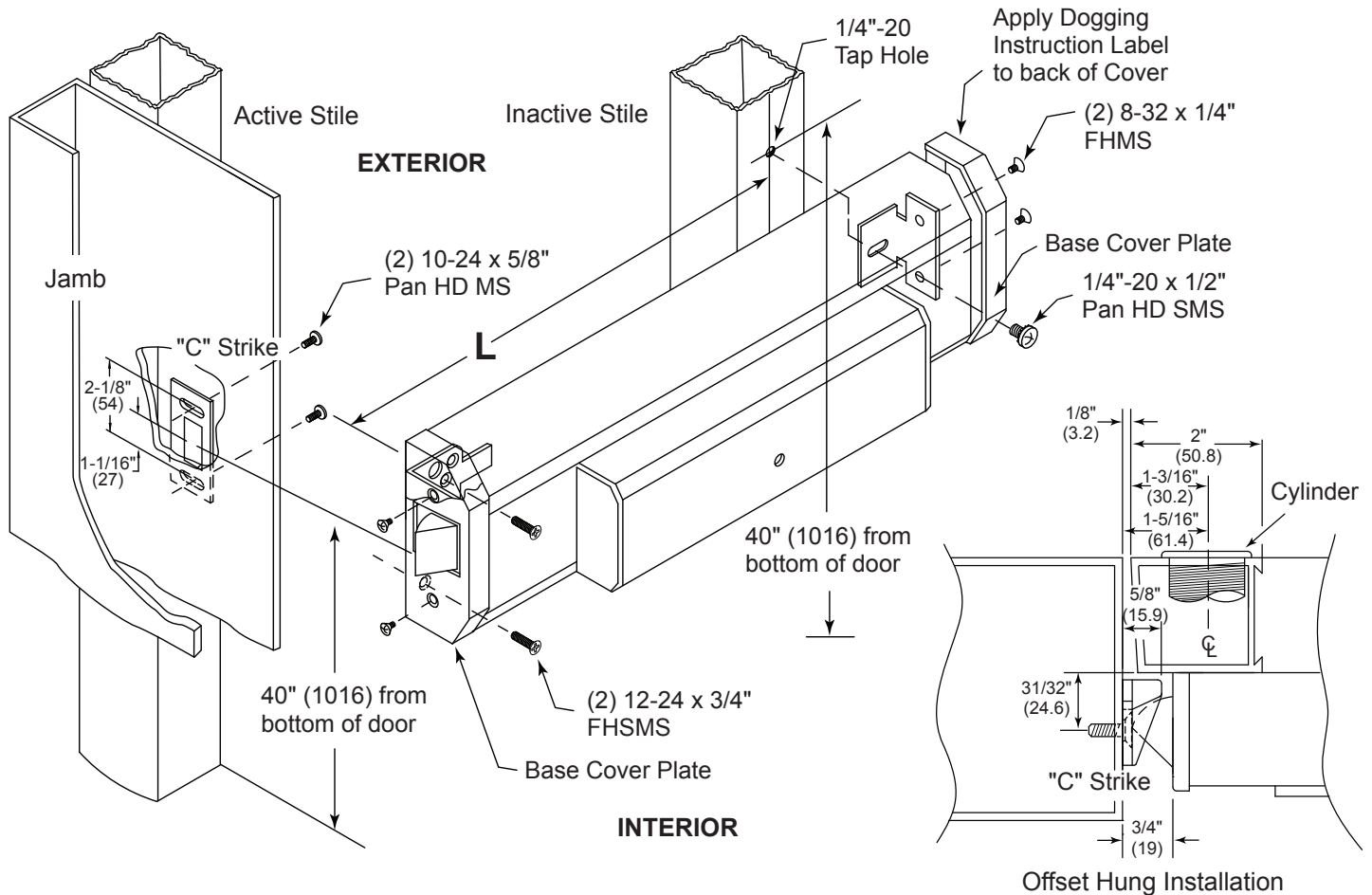


FIG. 13

Mounting Instructions

1. Prepare Lock Stile per Template, drill Cylinder mounting holes if required.
2. Locate Centerline of Cylinder on exterior of Door and drill if required.
3. Trim Tail Piece to fit into Panic Drive Bushing Assembly.
4. Mount Cylinder and secure with mounting screws. (Supplied by lock mfg.) If trim is required prepare per Template.
5. Locate mounting hole on Inactive Stile. Drill and tap 1/4"-20 Thds. 40" (1016) from the bottom of the Door.

Panic Attachment

1. Remove front and rear Base Cover Plates by removing (4) 8-32 x 1/4" Flat HD Screws. Secure active end of panic by installing (2) 12-24 x 3/4" Flat HD MS. Secure inactive end with single 1/4"-20 x 1/2" Pan HD SMS through Base Cover Plate Bracket. Re-install Base Cover Plates on each end of Panic Base.
2. To install "C" Strike, locate 10-24 tap holes on Active Stile (2 places).
3. Mount and secure "C" Strike.
4. Check operation of all parts including Cylinder (if applicable) to assure proper operation.

NOT TO SCALE

DOGGING INSTRUCTIONS

TO DOG Insert Hex Dogging Key (Cat. No. 302796). Turn Key clockwise until it stops. Depress and hold the Push Bar then release the Key. Push Bar will remain depressed. Remove Key. **(Fig. 14)**

TO UNDOG Insert Hex Dogging Key and turn clockwise until it stops. While depressing Push Bar turn and remove Key. Push Bar will become operable again. **(Fig.15)**

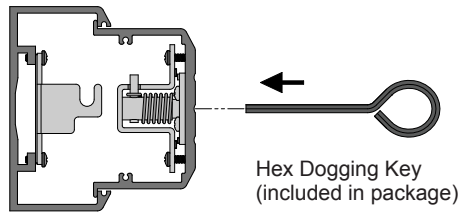


FIG. 14

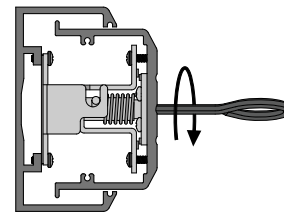


FIG. 15

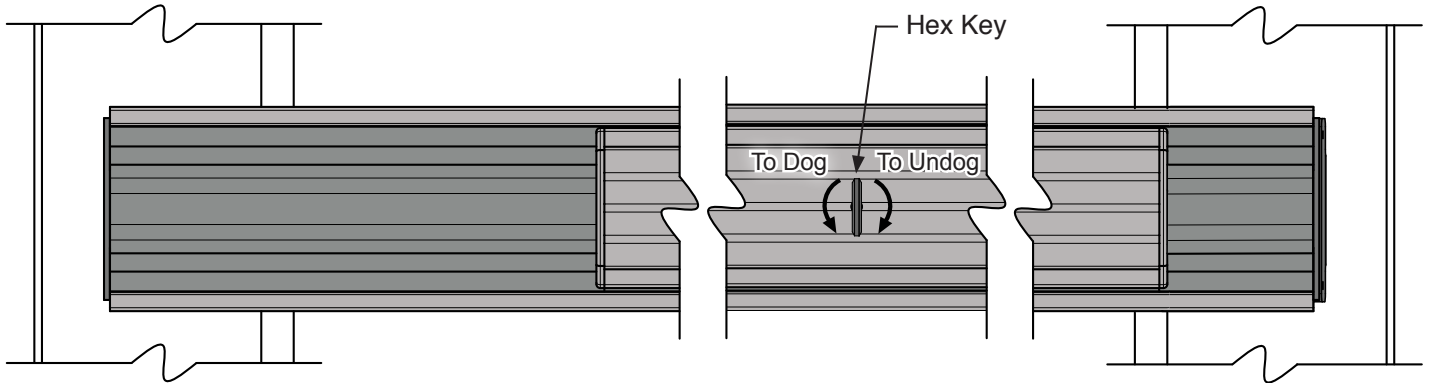
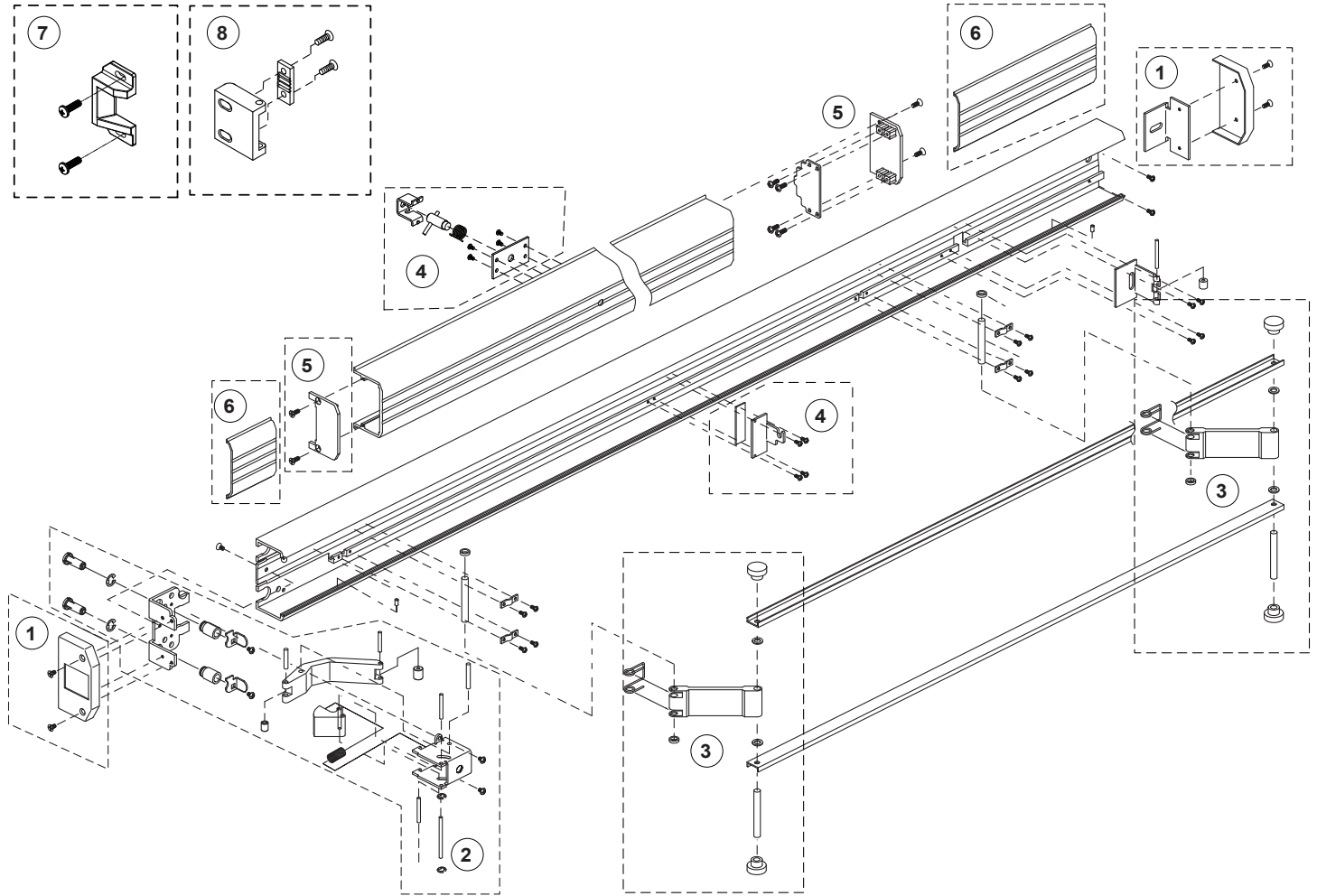


FIG. 16

NOT TO SCALE

PACKAGED PARTS AVAILABLE



Assembly No.	Part No.	Description
1	302654	Base End Cap Package
2	302679	Latch Assembly Package
3	302664	Control Arm Hardware Package
4	302670	Dogging Assembly
5	302650	Push Pad End Cap Package
6	302674	Cover Plate Package - Ribbed - 3/0 Panic
6	30267448	Cover Plate Package - Ribbed - 4/0 Panic
6	302674S	Cover Plate Package - Smooth - 3/0 Panic
7	302436	"C" Type - Surface Mounted Strike
8	302501	"S" Type - Surface Mounted Strike
Not Shown	302796	Dogging Hex Key (2 Pkg.)