

INSTALLATION INSTRUCTIONS

CRL JACKSON 1285 CONCEALED VERTICAL ROD PANIC EXIT DEVICE



Phone: (800) 421-6144 • Fax: (866) 921-0531
crlaurence.com • usalum.com • crl-arch.com

ORDER OF ASSEMBLY AND INSTALLATION

Introduction/Tools Required.....	02
Parts Identification.....	03 - 04
Door Preparation.....	05 - 08
Remove Door.....	05
1285 Exit Device Installation.....	06
1285 Exit Device Installation Mounting Pad With Lock Cylinder.....	07
1285 Exit Device Installation Exterior Trim With Lock Cylinder.....	08
Door Hardware Installation.....	09 - 13
Insert Rod And Case.....	09
Install Optional Mortise Cylinder And Pad.....	10
Install Optional Handle Trim.....	11
Install 1285 Exit Device.....	12
Adjust Top And Bottom Rod Bolts.....	13
Door Installation.....	14
Header And Threshold Preparation.....	15
Guide Rod Bolt Final Adjustment.....	16
Dogging Instructions.....	17
Packaged Parts Available.....	18

Tools Required

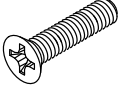
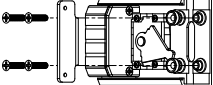

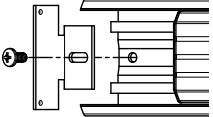
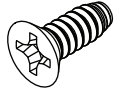
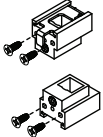
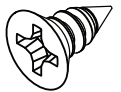
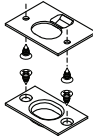
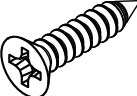
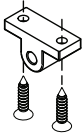
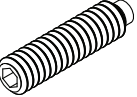
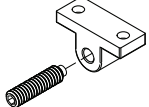

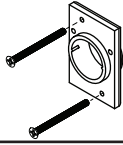
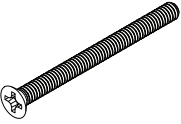
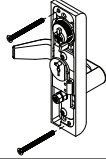

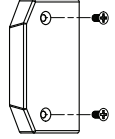

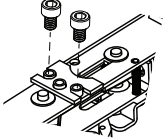
Drill bits: 5/8", 11/64", 13/64", 1-13/32"	Masking tape
Taps: 1/4" x 20	Center punch
Tape measure	Flat Metal File
Saw horses	Round Metal File
Drill	Jigsaw with metal cutting blade
Phillips #2 screwdriver	Hex wrench set
Standard screwdriver	Torx T-10 tool
Framing square/straight edge	

NOTE: Any modifications, other than those specified in this document, could result in this product's failure to meet UL safety ratings and void the manufacturer's warranties.

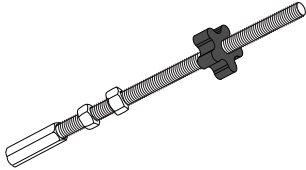
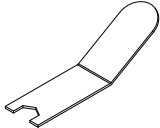
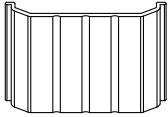
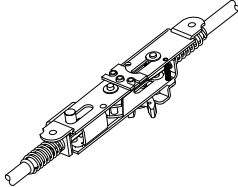
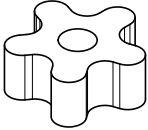
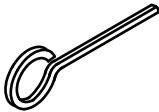

The rapidly changing technology within the architectural aluminum products industry demands that U.S. Aluminum reserve the right to revise, discontinue or change any product line, specification or electronic media without prior written notice.

NOTE: Dimensions in parentheses () are millimeters unless otherwise noted.

PARTS IDENTIFICATION

FASTENERS PROVIDED					
CALL OUT	QTY.	FASTENER	FASTENER DESCRIPTION	PART	USED WITH PART NUMBER
A	4		10-32 x 7/8" FHMS		302652 End Caps (Mounting Hardware)
B	1		1/4"-20 x 1/2" PHMS		302652 End Caps (Mounting hardware)
C	4		#10 x 1/2" FH Self Tapping Screw		30934 Top Bolt Guide 30320 Bottom Bolt Guide
D	4		#8 x 3/8" FH Screw		301084 Top and Bottom Strike Package
E	2		#8 x 3/4" FH Screw		30824 Trip Bracket Package
F	1		1/4"-20 x 1" Adjustment screw		30824 Trip Bracket Package
G	2		#8-32 x 2" FHMS		30821J Mortise Cylinder Mounting Pad
H	2		#10 x 2-1/8" FHMS		8500LV01 and 8500LV02 Exterior Trim with Lever Assembly
I	4		8-32 x 3/8" FHMS		302652 2 Base End Caps (Mounting hardware included)
J	2		8-32 x 1/4" SHCS		302452J Rod and Case Assembly with Hex Head Cap Screws

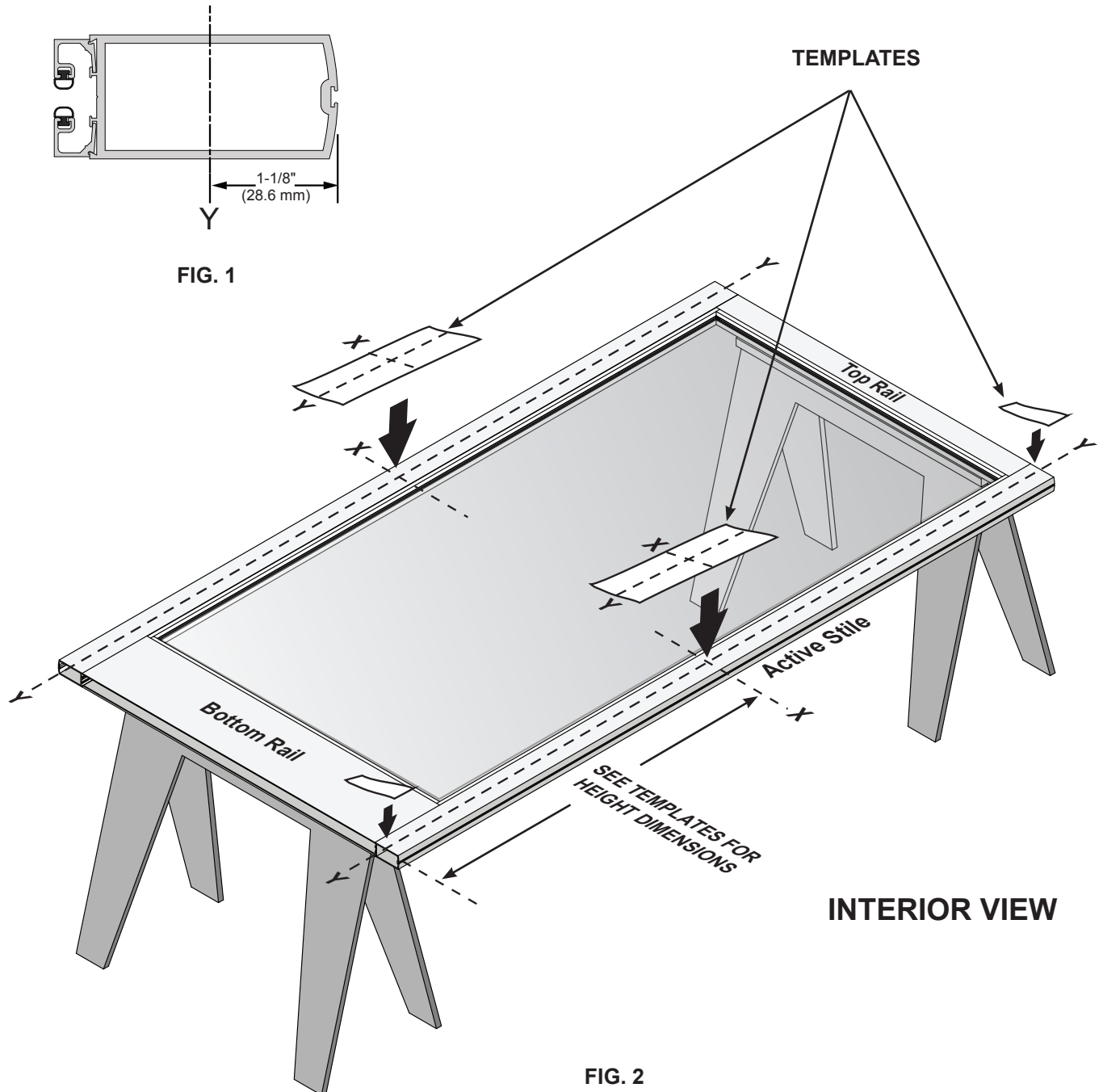
PARTS IDENTIFICATION

PARTS LIST			
CALL OUT	PART	PART NO.	DESCRIPTION
(K)		301347 301348	Optional 12" (305) or 24" (610) Top Rod Extender
(L)		N/A	Hex tool. Included with Bolt Guides Top 30934 or Bottom 30320
(M)		302674 and 30267448	Base Cover Plate
(N)		302452J	Rod and Case Assembly
(O)		301552	Concealed Vertical Rod Silencer
(P)		302796	Hex Dogging Key
(Q)		DL2170	Optional 1" (25.4) Single Mortise Cylinder

DOOR PREPARATION

REMOVE DOOR

1. Place door horizontally on stands interior side up.
2. Mark stile Y-lines, 1-1/8" (28.6 mm) from outside edge for all stile widths. (Fig. 1)
3. Mark stile X-lines per template instructions. (Fig. 2)
4. Attach corresponding templates. (Fig. 2)



NOT TO SCALE

DOOR PREPARATION – LAYOUT SELECTION

1285 EXIT DEVICE INSTALLATION

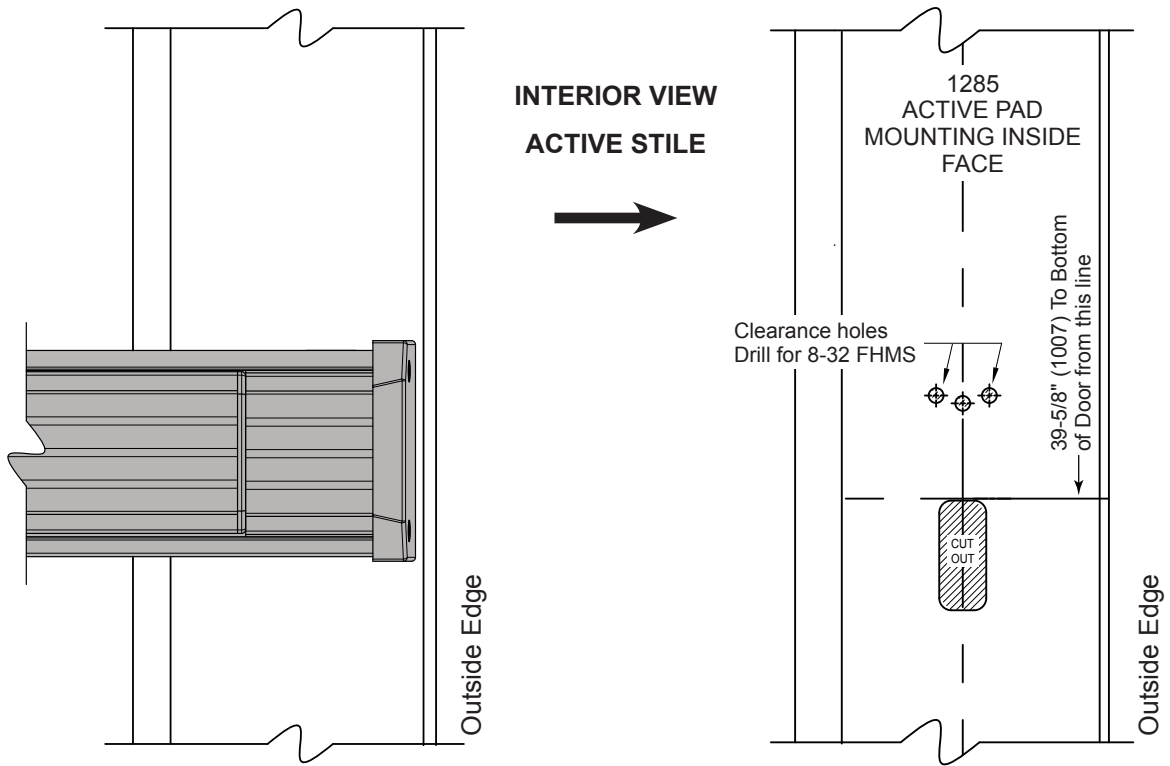


FIG. 3

10-942 - REV. H Templates from Box

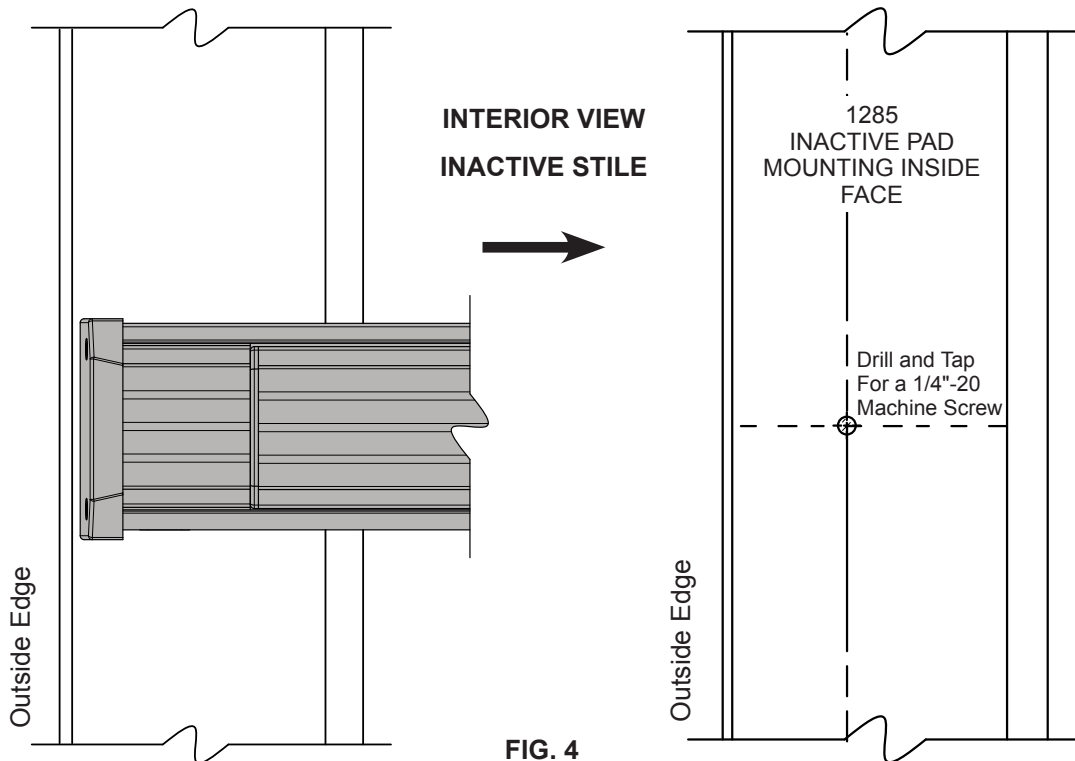
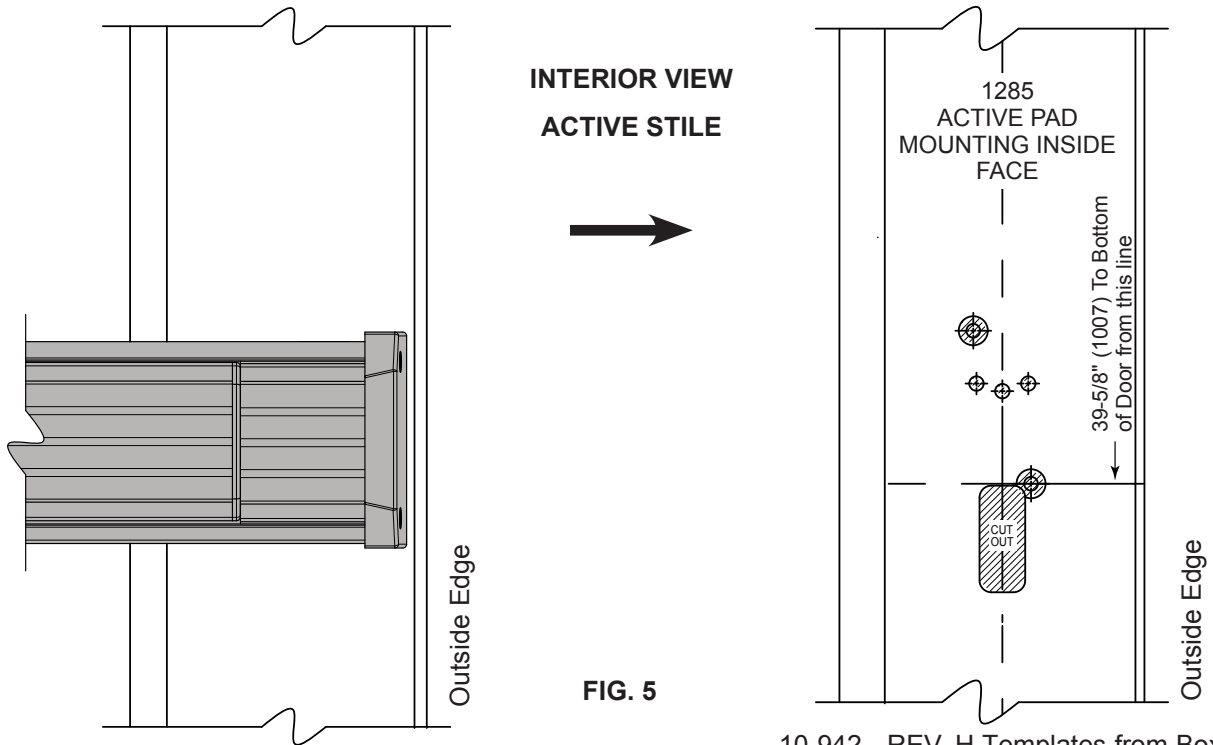


FIG. 4

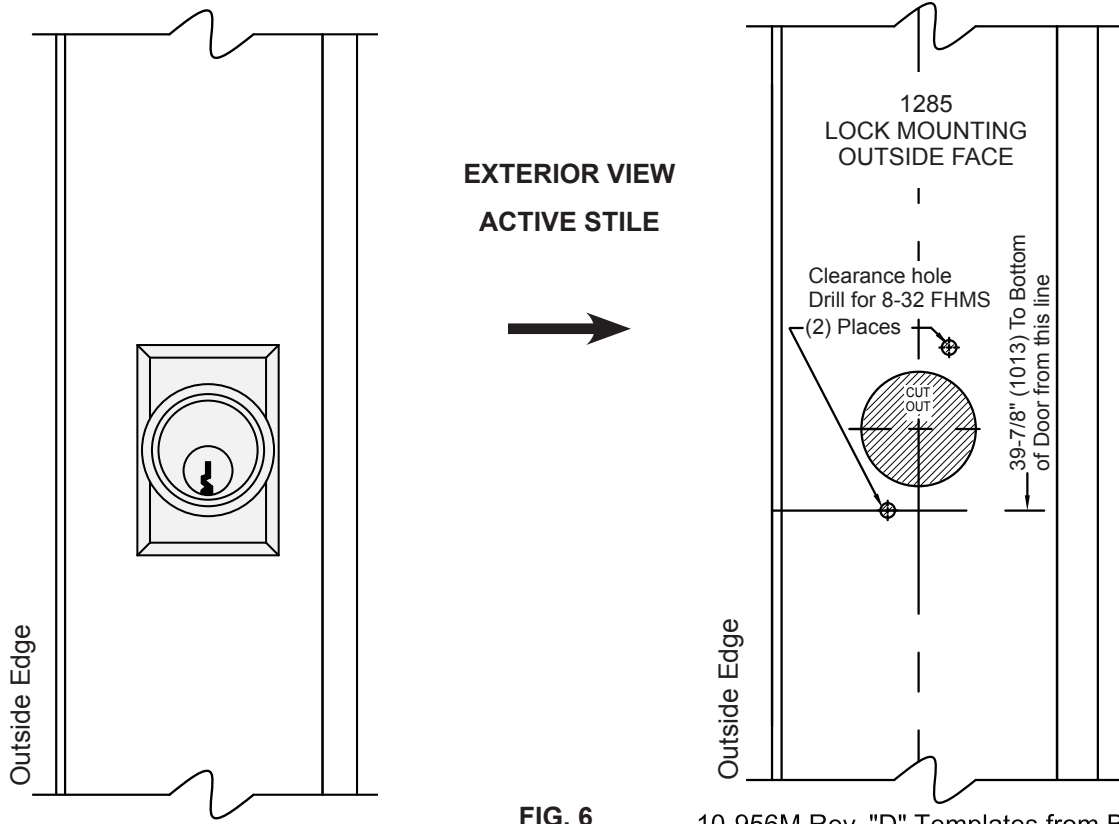
NOT TO SCALE

DOOR PREPARATION – LAYOUT SELECTION

1285 EXIT DEVICE INSTALLATION AND OPTIONAL MOUNTING PAD WITH LOCK CYLINDER



10-942 - REV. H Templates from Box



10-956M Rev. "D" Templates from Box

NOT TO SCALE

DOOR PREPARATION – LAYOUT SELECTION

1285 EXIT DEVICE INSTALLATION AND OPTIONAL EXTERIOR TRIM WITH LOCK CYLINDER

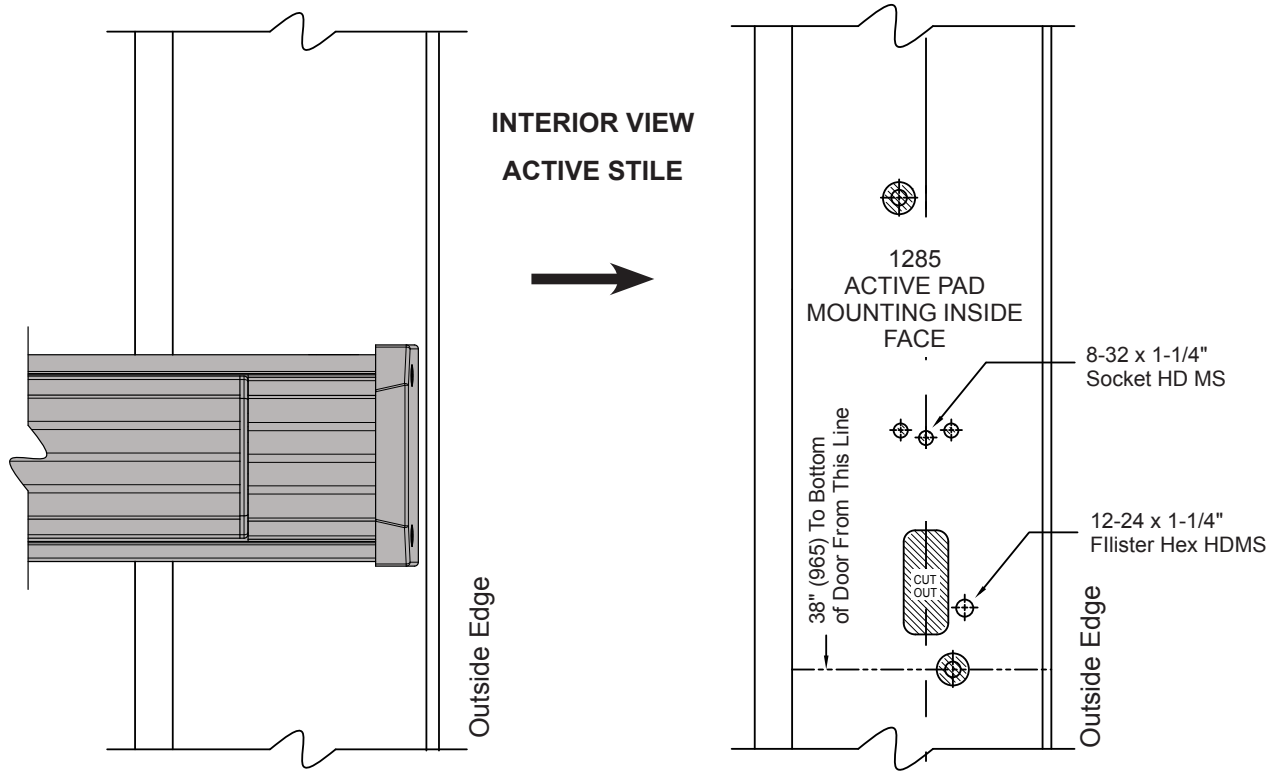


FIG. 7

10-941-1 REV. L Templates from Box

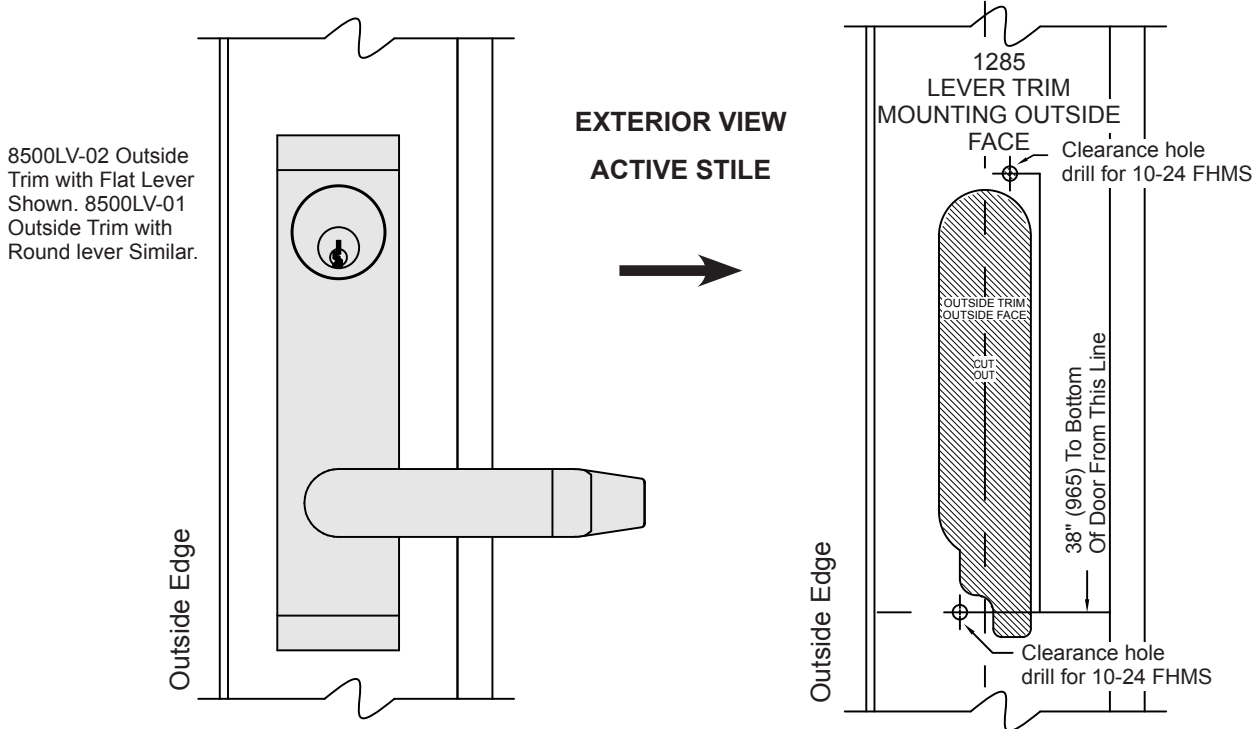


FIG. 8

10-1036 REV. B Templates from Box NOT TO SCALE

DOOR HARDWARE INSTALLATION (CONTINUED)

INSERT ROD AND CASE (ALL MODELS)

1. Insert the panic device rod and case assembly into active stile (Fig. 9).
2. Align actuator pin through the slotted cut-out on interior face of stile, fastening with (J) (2) 8-32 x 1/4" Socket Head Cap Screws (Fig. 10)
3. Adjust top and bottom bolt guides, to extend 1/2" (12.7) past the frame on both top and bottom stiles.
4. Install the top bolt guide assembly with (C) (2) #10 x 1/2" FH self threading screws at both the top of active door stile. Two holes face of interior side of stile.
5. Install the bottom bolt guide assembly with (C) (2) #10 x 1/2" FH self threading screws at the bottom of active door stile. Two holes face of interior side of stile.

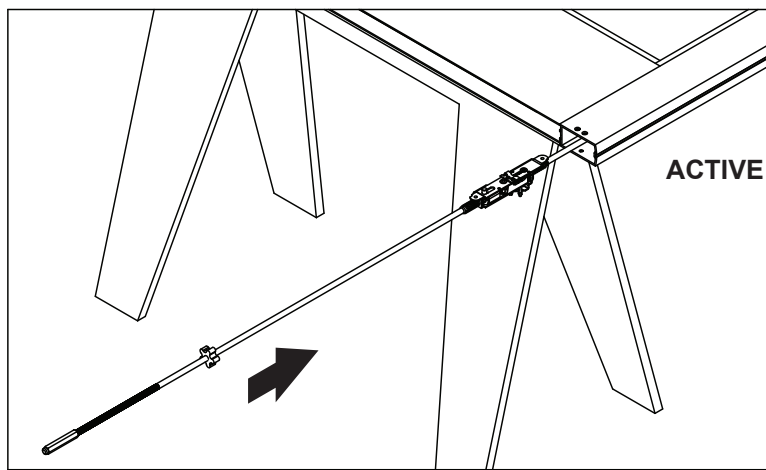


Fig. 9

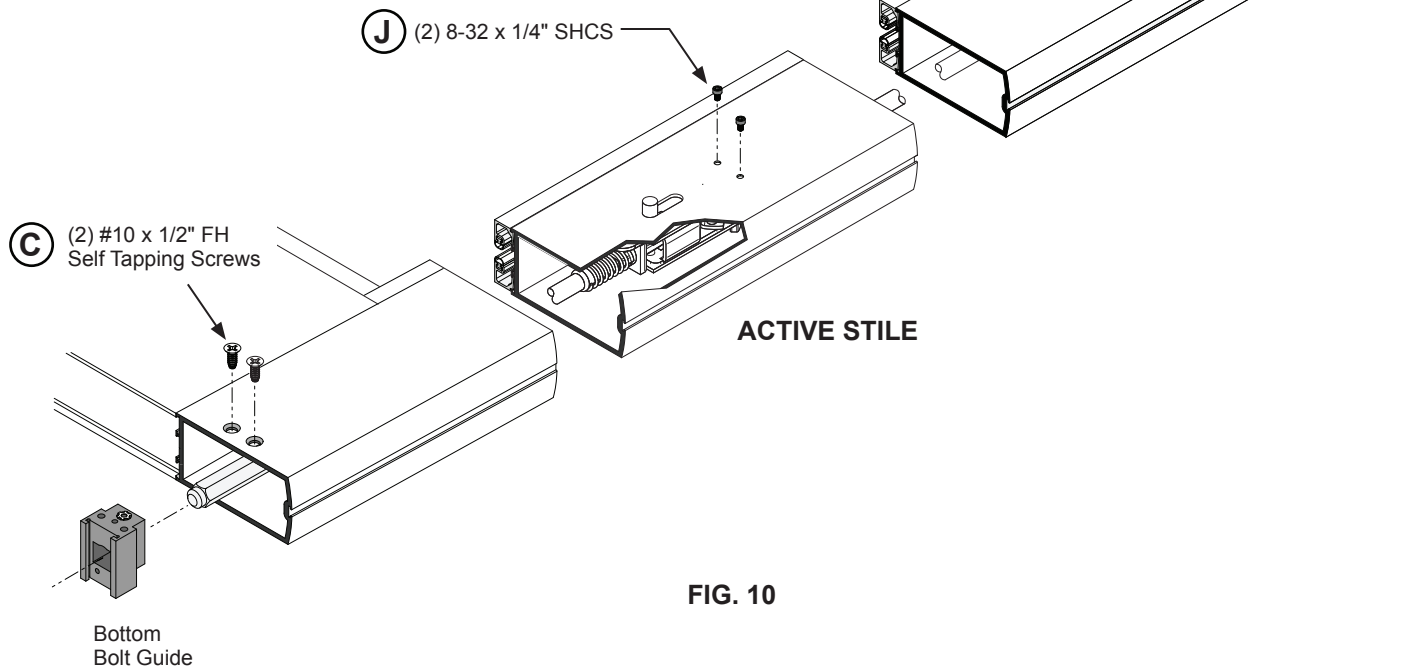


FIG. 10

NOT TO SCALE

DOOR HARDWARE INSTALLATION (CONTINUED)

INSTALL OPTIONAL MORTISE CYLINDER LOCK AND MOUNTING PAD

NOTE: Lock and mounting pad must be installed before exit device.

1. Insert **Q** Mortise DL2170 into Mounting Pad 30821J and secure with Lock Ring.
2. Attach to exterior Active Stile with **G** (2) #8-32 x 2" FHMS Philips screw as shown on (Fig. 11).

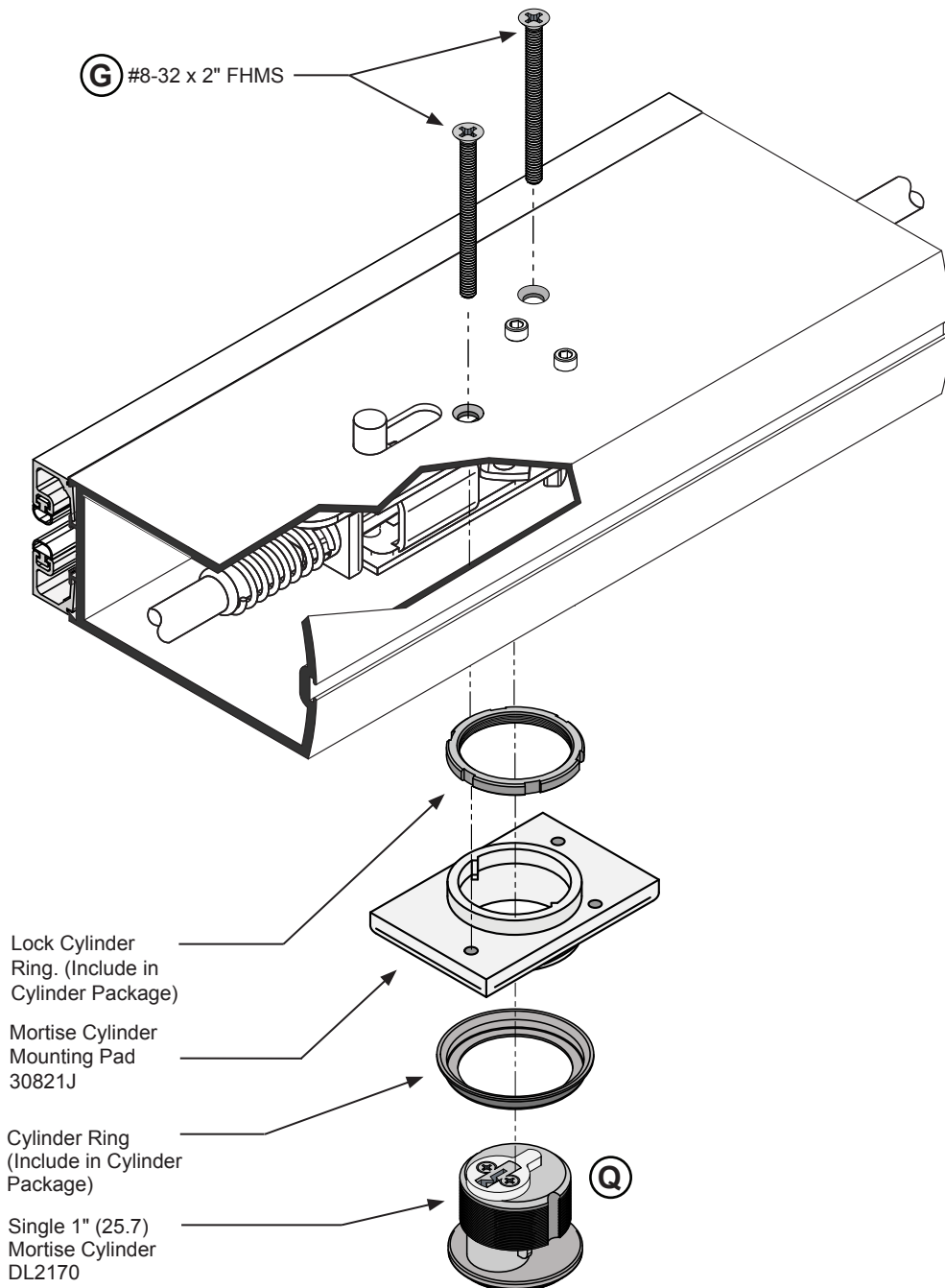


FIG. 11

NOT TO SCALE

DOOR HARDWARE INSTALLATION (CONTINUED)

INSTALL OPTIONAL MORTISE CYLINDER LOCK AND EXTERIOR TRIM

NOTE: Exterior trim must be installed before exit device.

1. Attach exterior trim with **(H)** (2) #10 x 2-1/8" FHMS as shown on (Fig. 12).

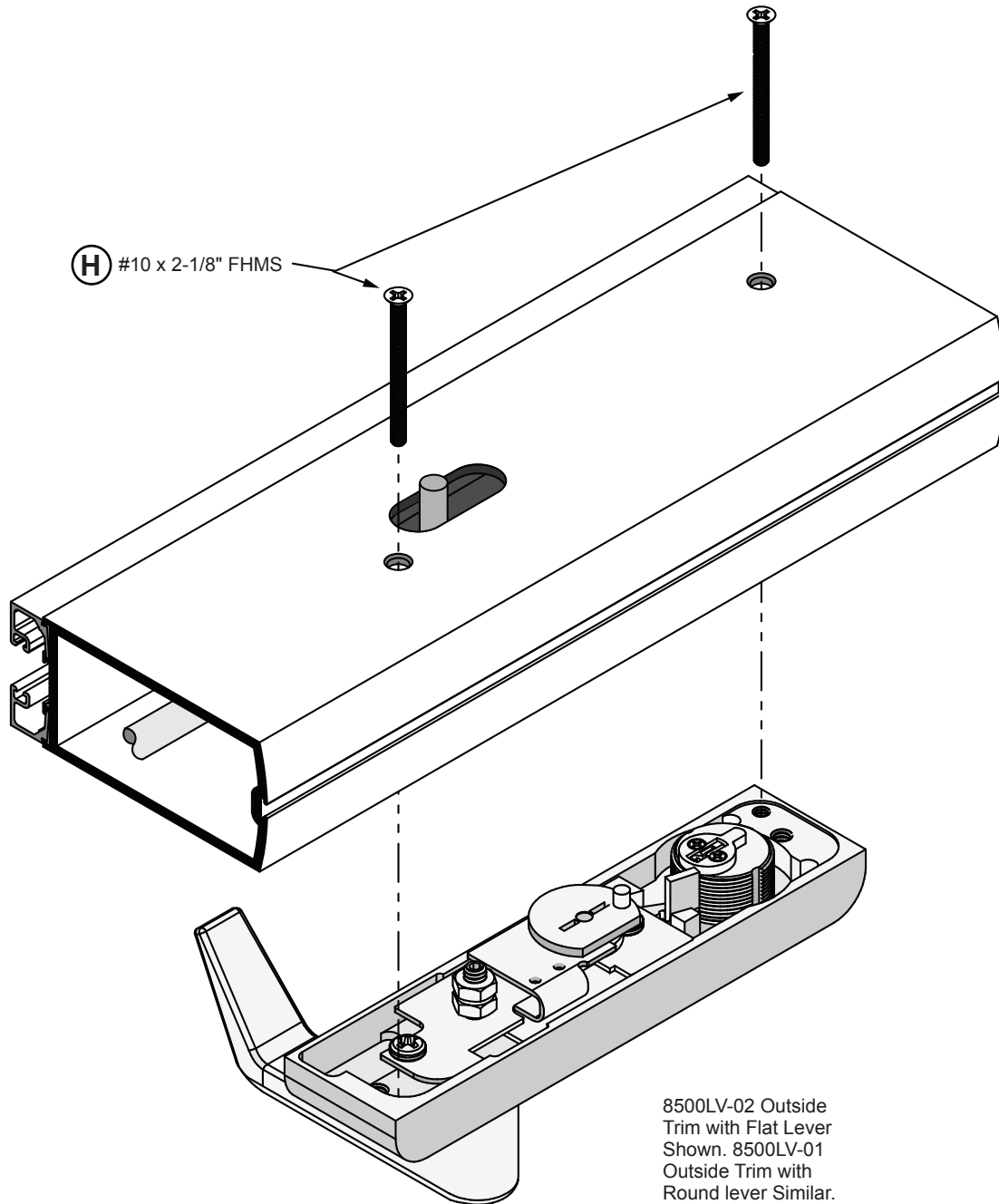


FIG. 12

NOT TO SCALE

DOOR HARDWARE INSTALLATION (CONTINUED)

INSTALL 1285 EXIT DEVICE

1. Attach panic exit device to door with **(A)** (2) 10-32 x 7/8" FHMS on active stile and **(B)** (1) 1/4"-20 x 1/2" PHMS at end cap bracket on inactive stile as shown (Fig. 13).

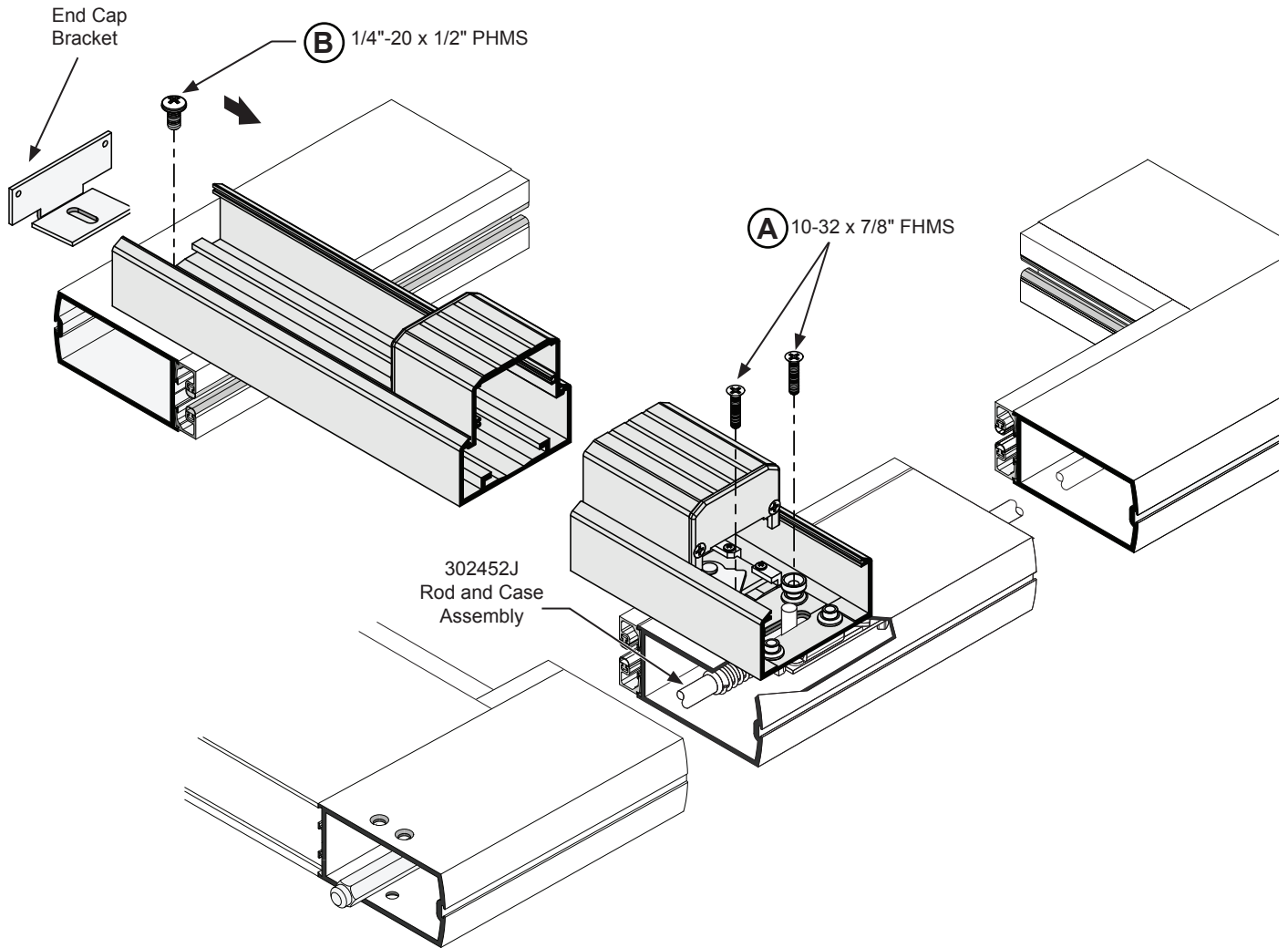


FIG. 13

NOT TO SCALE

DOOR HARDWARE INSTALLATION (CONTINUED)

ADJUST TOP AND BOTTOM ROD BOLTS

Retract the top guide rod bolt by turning clockwise with adjustment tool. Repeat the procedure for the bottom guide rod bolt. Both should be flush or slightly below the stile end.

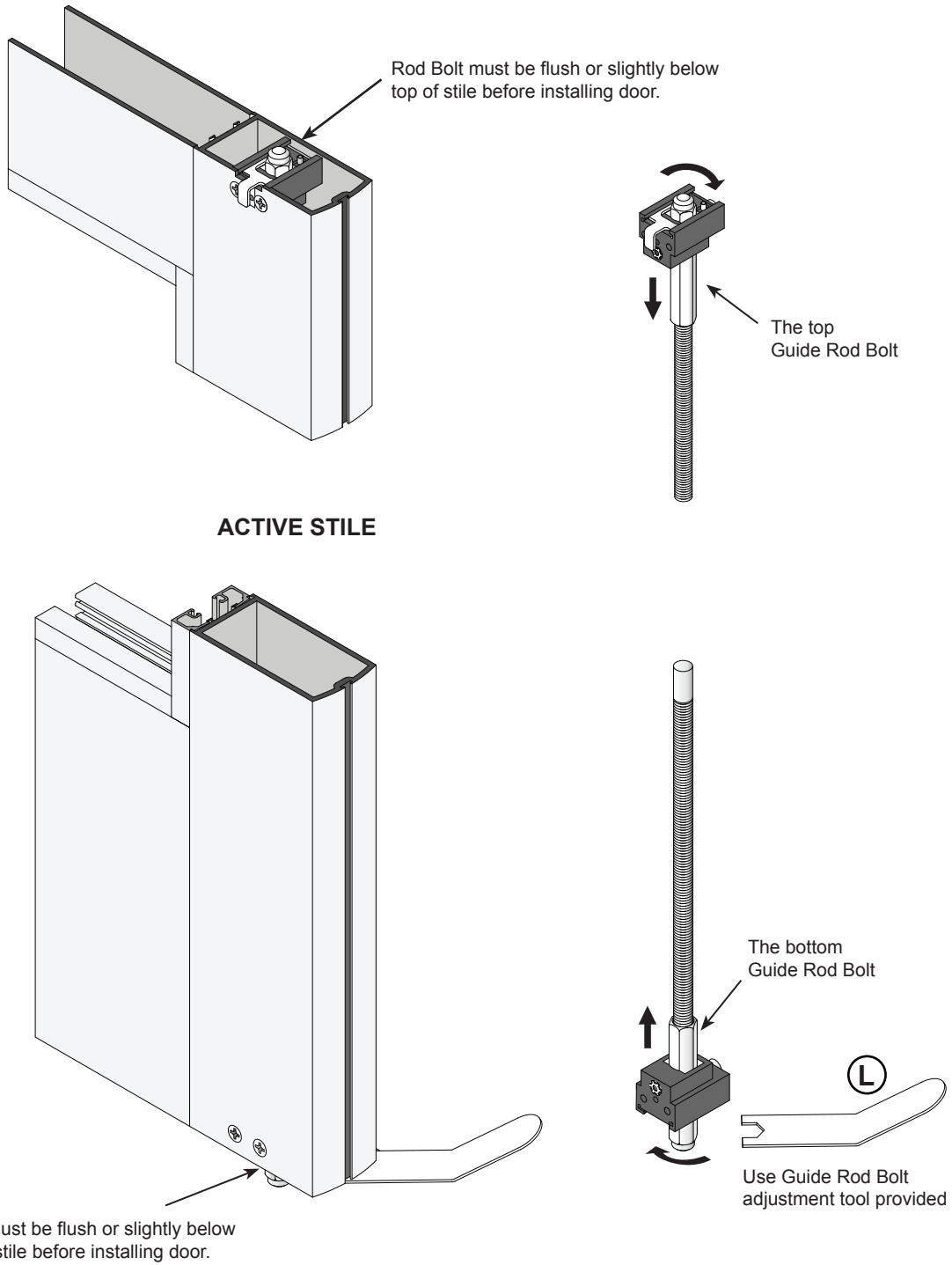


FIG. 14

NOT TO SCALE

DOOR INSTALLATION

1. After Rod Bolts are adjusted (retracted). Depress the handle and Dog in the closed position.
2. Install the door and attach to closer if required.

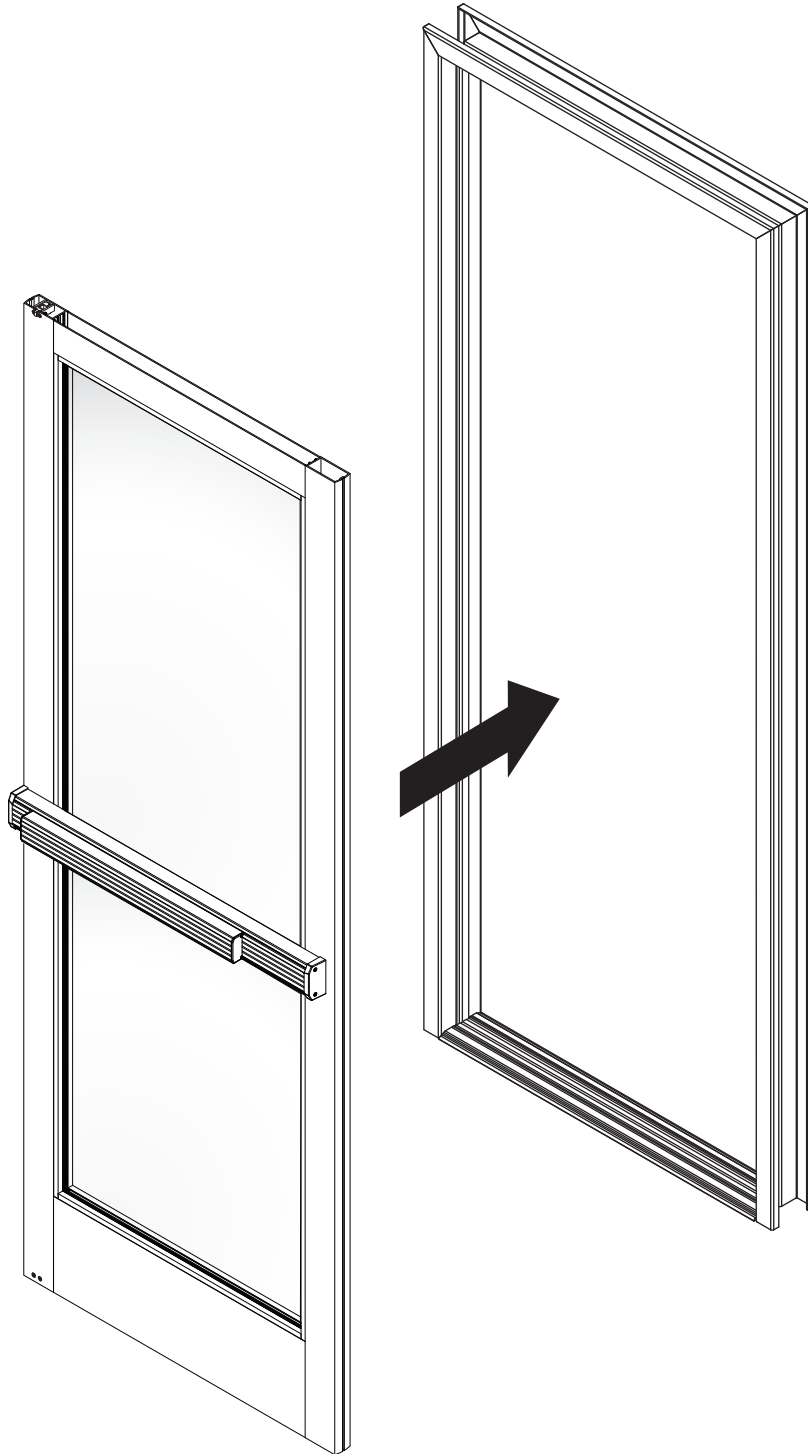


FIG. 15

NOT TO SCALE

FRAME PREPARATION

HEADER AND THRESHOLD PREPARATION

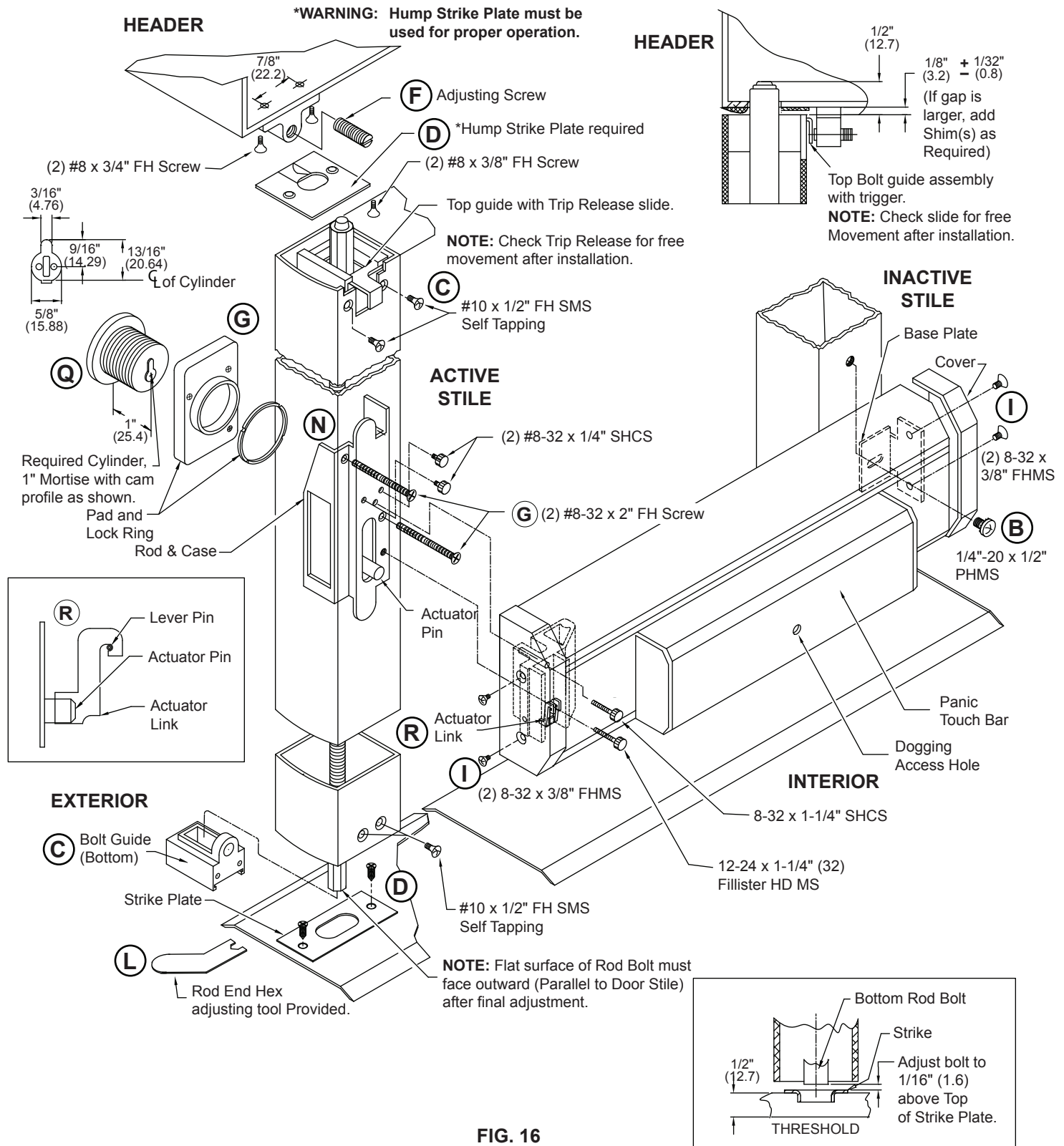


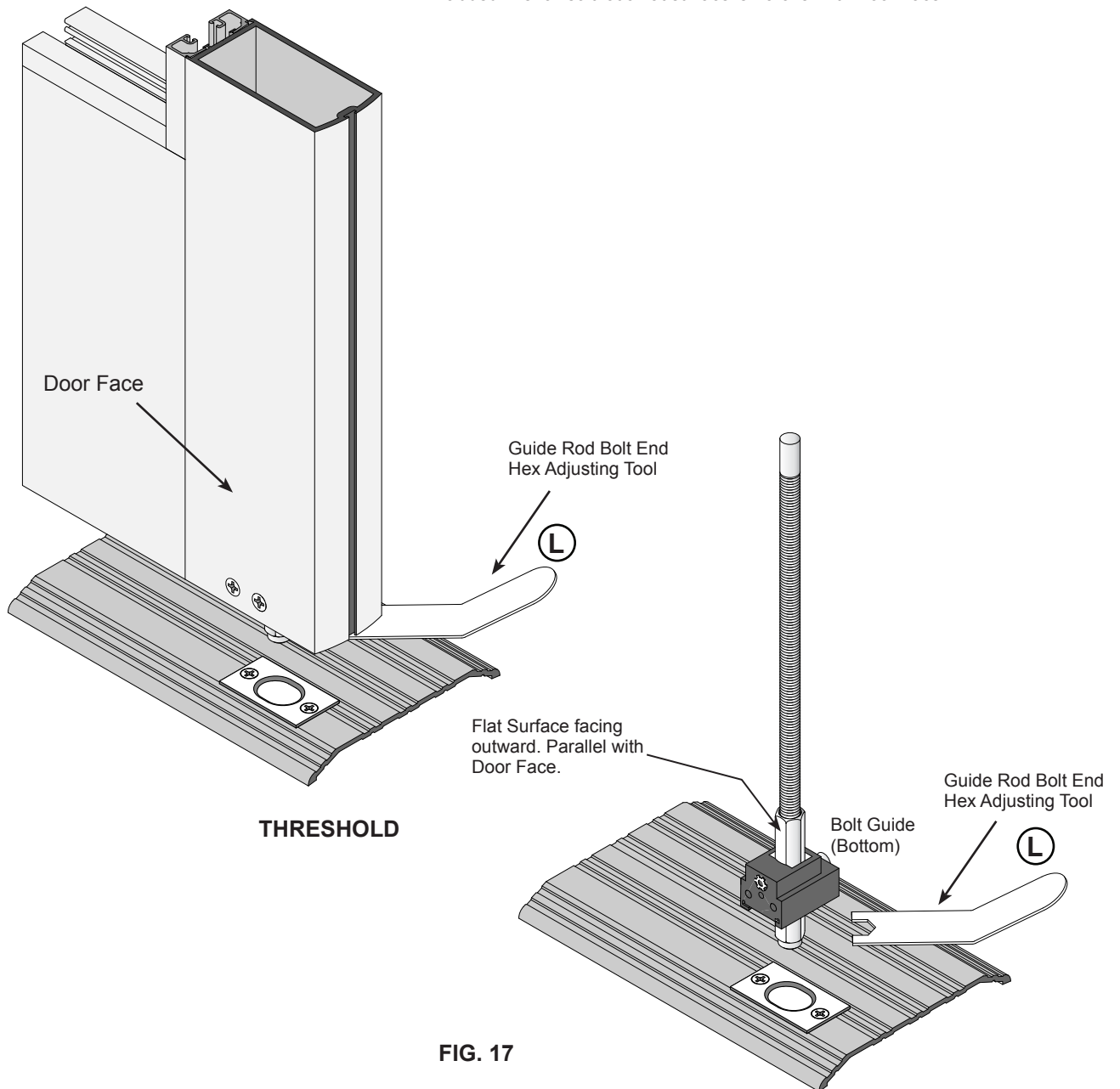
FIG. 16

NOT TO SCALE

GUIDE ROD BOLT FINAL ADJUSTMENT

1. With the panic device fully depressed, turn bottom Guide Rod Bolt clockwise to extend downward past bottom edge of the door. With rod adjustment tool, set rod height at $1/16$ " above bottom strike plate. In a fully closed and relaxed panic condition, rod guide should extend $3/8$ " into threshold strike.
2. With panic bar fully depressed, adjust the top Guide Rod Bolt $1/16$ " and not to exceed $1/8$ " gap from header. In a fully closed and relaxed panic condition the top of upper rod bolt will extend into header $3/8$ ".

NOTE: Turn Top and Bottom Guide Rod Bolts using the included wrench so that a flat surface is Parallel with Door Face.



NOT TO SCALE

DOGGING INSTRUCTIONS

TO DOG: Insert 1/8" Hex Dogging key (Cat No. 302796) turn key clockwise until it stops. Press push bar, key releases, pull key out.

TO UNDOG: Insert Hex Dogging key, turn clockwise until it stops, push bar will release. Pull key out.
Refer to (Fig.18).

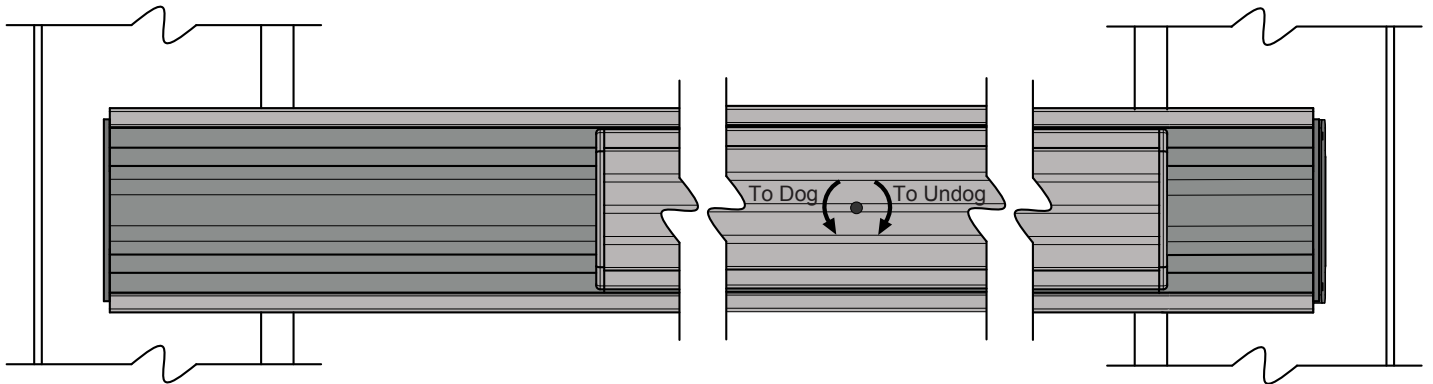
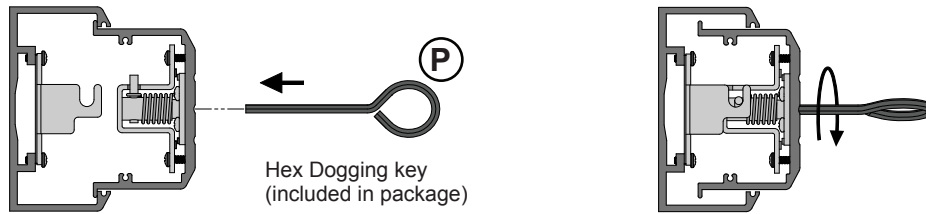
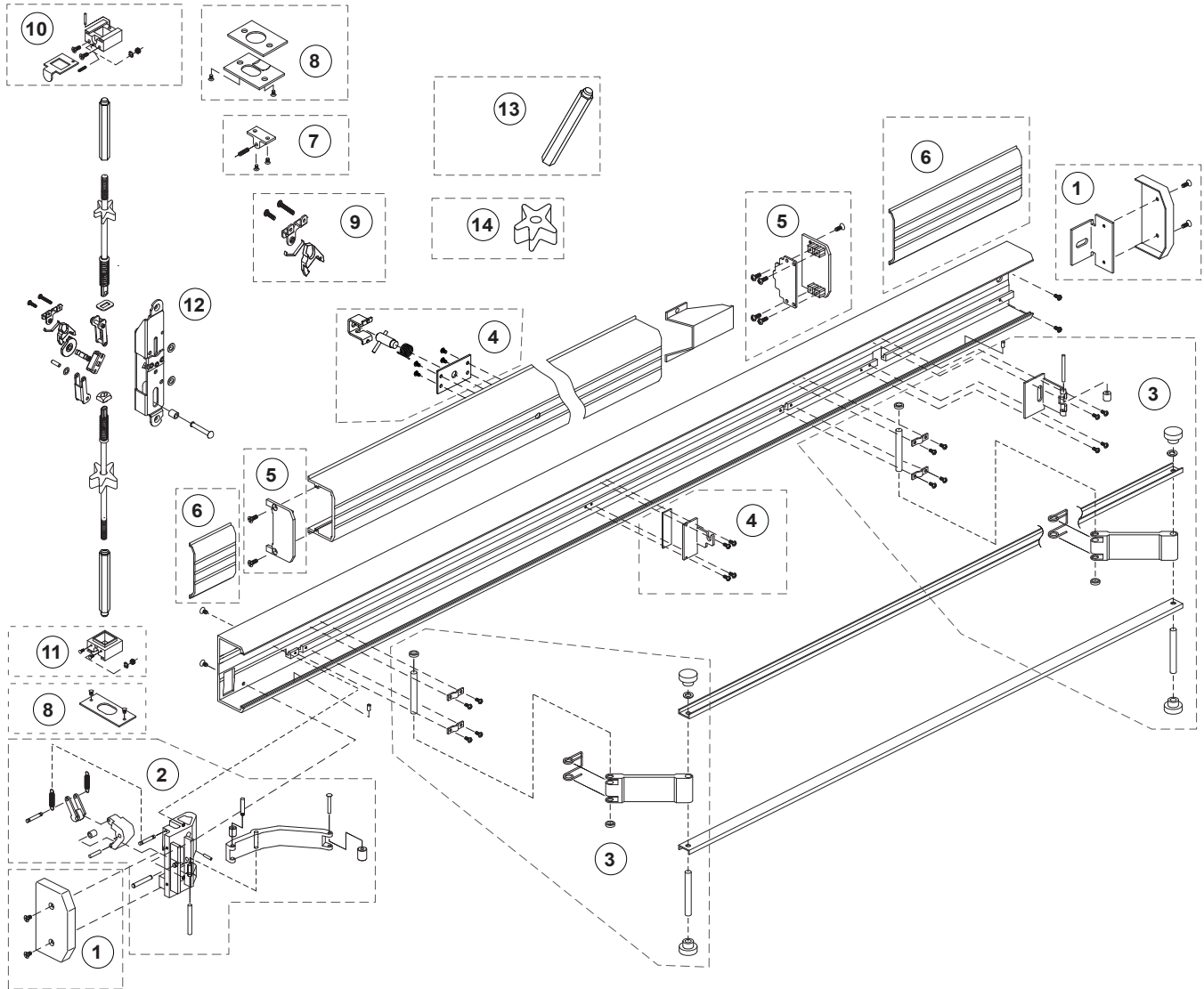


FIG. 18

NOT TO SCALE

PACKAGED PARTS AVAILABLE



Assem. No.	Part No.	Description	Assem. No.	Part No.	Description
1	302652	Base End Cap Pkg.	11	30320	Bottom Bolt Guide Assembly
2	302669	LHRB - Actuating Lift Assembly	12	302452J	Standard Rod and Case Assembly 7/0
2	302675	RHRB - Actuating Lift Assembly Not Shown	Not Shown	301347	Top Rod Extension - 12"
3	302664	Control Arm Hardware Package	Not Shown	301348	Top Rod Extension - 24"
4	302670	Dogging Assembly	13	30763P	Standard Top and Bottom Rod Bolts
5	302650	Push-Pad End Cap Pkg.	14	301552PKG	Rod Silencer (12 Pkg.)
6	302674	Base Cover Plate - Ribbed	Not Shown	30PBAW	Bolt Adjustment Wrench (2 Pkg.)
6	30267448	Base Cover Plate - Ribbed	Not Shown	302796	Dogging Hex Key Pkg. (2 Pkg.)
6	302674S	Base Cover Plate - Smooth	Not Shown	302513	Base 1085 Retrofit Hardware Package
7	30824	Trip Bracket Pkg.			
8	301084	Strike Package - Top and Bottom			
9	30916	Rod and Case Hardware Pkg.			
10	30934	Top Bolt Guide Assembly			